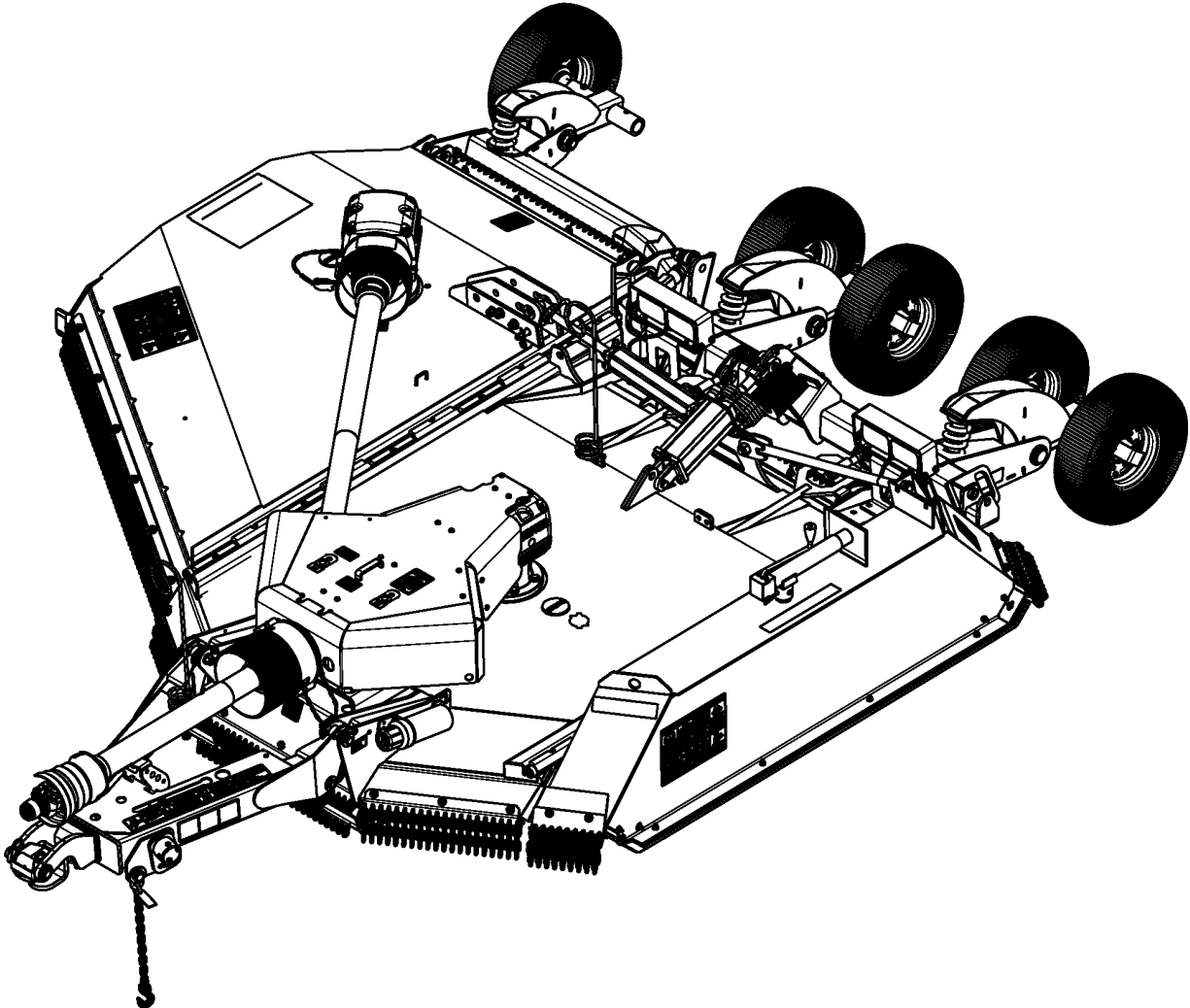


Rotary Cutters

RC(L)4710 & RCM(L)4710



72633

334-863P Parts Manual



Read the Operator's Manual entirely. When you see this symbol, the subsequent instructions and warnings are serious - follow without exception. Your life and the lives of others depend on it!

© Copyright 2020 Printed 12/15/20

Cover photo may show optional equipment not supplied with standard unit.





Table of Contents

Section 1: Introduction.....4
 Using This Manual.....4
 Manual Replacement Information.....4
 Manual Revisions.....4
 Touch-up Paint.....4
 Hardware Legend.....5
 Replacement Hardware.....5
 Serial Numbers.....5
 Part Number Service Coding.....5

Section 2: Decks and Hitches.....6
 Blade Carrier - Bolt-on & Welded Dishpans.....6
 Deck Center Components.....8
 Deck Center Drive Components.....10
 Deck Center Sliding Shield & Mount S/N 1456414-.....12
 Deck Center Sliding Shield & Mount S/N 1456415+.....14
 Deck Wing Components.....16
 Deck Wing Drive Components.....18
 Hitch A-Frame.....20
 Hitch Ball Coupler.....22
 Hitch Bar-Tite.....24
 Hitch LP Performance.....26
 Hitch Pintle.....28
 Hitch Swivel Clevis.....30
 Leveling Rods and Wing Turnbuckles.....32
 Light Assembly S/N 1456861-.....34
 Light Assembly S/N 1456862+.....36
 Manual Tube.....38
 Weight Box.....40

Section 3: Axles.....42
 Axle Center & Wing Single Suspension.....42
 Axle Center HD Single Suspension.....44
 Axle Center Independent Suspension.....46
 Axle Center Parallel Pivot.....48
 Axle Center Walking Tandem.....50
 Axle Wing HD Single Suspension.....52
 Axle Wing Independent Suspension.....54
 Spindle & Hub Assembly (334-566S).....56
 Tire Options.....58

Section 4: Guards.....60
 Guards Chain Double Row Front.....60
 Guards Chain Double Row Rear.....62
 Guards Chain Single Row Front.....64
 Guards Chain Single Row Rear.....66

Section 5: Drivelines.....68
 Driveline Center (826-818C) Comer.....68
 Driveline CV 1.38 1000 RPM (826-644C) Weasler.....70
 Driveline CV 1.38 1000 RPM W/ Overrunning Clutch
 (826-793C) Weasler.....72
 Driveline CV 1.38 540 RPM (826-643C) Weasler.....74

Driveline CV 1.38 540 RPM W/ Overrunning Clutch
 (826-884C) Weasler.....76
 Driveline CV 1.75 1000 RPM (826-645C).....78
 Driveline Wing (826-811C) Comer.....80
 Driveline Wing (826-812C) Comer.....82
 Driveline Wing (826-812C) Walterscheid.....84

Section 6: Gearboxes.....86
 Gearbox 1000 RPM (826-317C).....86
 Gearbox 1000 RPM (826-319C).....88
 Gearbox 1000 RPM (826-725C).....90
 Gearbox 1000 RPM (826-726C).....92
 Gearbox 540 RPM (826-650C).....94
 Gearbox 540 RPM (826-721C).....96
 Gearbox Divider 1000 RPM (826-521C) Comer.....98
 Gearbox Divider 1000 RPM (826-521C) ITG.....100
 Gearbox Divider 540 RPM (826-520C) Comer.....102
 Gearbox Divider 540 RPM (826-520C) ITG.....104

Section 7: Hydraulics.....106
 Hydraulic Cylinder (810-150C) Red Lion.....106
 Hydraulic Cylinder (850-217C) Monarch.....108
 Lift Hydraulics.....110
 Wing Fold Dual Acting Cylinder.....112
 Wing Fold Single Acting Cylinder.....114

Section 8: Decals.....116
 Decal Placement.....116

Section 9: Options & Accessories.....118
 Australian Cable Kit.....118
 Dual Acting Lift Kit.....120
 Mechanical Winch.....122
 SMV Sign.....124
 Toolbox.....126

Part Number Index.....128

© Copyright 2020. All rights reserved.

Land Pride provides this publication "as is" without warranty of any kind, either expressed or implied. While every precaution has been taken in the preparation of this manual, Land Pride assumes no responsibility for errors or omissions. Neither is any liability assumed for damages resulting from the use of the information contained herein. Land Pride reserves the right to revise and improve its products as it sees fit. This publication describes the state of this product at the time of its publication, and may not reflect the product in the future. The illustrations in this manual are not intended for safe and proper assembly or disassembly of equipment. The illustrations are intended for ordering parts only.

Land Pride is registered trademark.

All other brands and product names are trademarks or registered trademarks of their respective holders.

Printed in the United States of America.



Alphabetized Table of Contents

A	Australian Cable Kit.....118	Hydraulic Cylinder (810-150C) Red Lion.....106
	Axle Center & Wing Single Suspension.....42	Hydraulic Cylinder (850-217C) Monarch.....108
	Axle Center HD Single Suspension.....44	L
	Axle Center Independent Suspension.....46	Leveling Rods and Wing Turnbuckles.....32
	Axle Center Parallel Pivot.....48	Lift Hydraulics.....110
	Axle Center Walking Tandem.....50	Light Assembly S/N 1456861-.....34
	Axle Wing HD Single Suspension.....52	Light Assembly S/N 1456862+.....36
	Axle Wing Independent Suspension.....54	M
B		Manual Tube.....38
	Blade Carrier - Bolt-on & Welded Dishpans.....6	Mechanical Winch.....122
D		S
	Decal Placement.....116	SMV Sign.....124
	Deck Center Components.....8	Spindle & Hub Assembly (334-566S).....56
	Deck Center Drive Components.....10	T
	Deck Center Sliding Shield & Mount S/N 1456414-.....12	Tire Options.....58
	Deck Center Sliding Shield & Mount S/N 1456415+.....14	Toolbox.....126
	Deck Wing Components.....16	W
	Deck Wing Drive Components.....18	Weight Box.....40
	Driveline Center (826-818C) Comer.....68	Wing Fold Dual Acting Cylinder.....112
	Driveline CV 1.38 1000 RPM (826-644C) Weasler.....70	Wing Fold Single Acting Cylinder.....114
	Driveline CV 1.38 1000 RPM W/ Overrunning Clutch (826-793C) Weasler.....72	
	Driveline CV 1.38 540 RPM (826-643C) Weasler.....74	
	Driveline CV 1.38 540 RPM W/ Overrunning Clutch (826-884C) Weasler.....76	
	Driveline CV 1.75 1000 RPM (826-645C).....78	
	Driveline Wing (826-811C) Comer.....80	
	Driveline Wing (826-812C) Comer.....82	
	Driveline Wing (826-812C) Walterscheid.....84	
	Dual Acting Lift Kit.....120	
G		
	Gearbox 1000 RPM (826-317C).....86	
	Gearbox 1000 RPM (826-319C).....88	
	Gearbox 1000 RPM (826-725C).....90	
	Gearbox 1000 RPM (826-726C).....92	
	Gearbox 540 RPM (826-650C).....94	
	Gearbox 540 RPM (826-721C).....96	
	Gearbox Divider 1000 RPM (826-521C) Comer.....98	
	Gearbox Divider 1000 RPM (826-521C) ITG.....100	
	Gearbox Divider 540 RPM (826-520C) Comer.....102	
	Gearbox Divider 540 RPM (826-520C) ITG.....104	
	Guards Chain Double Row Front.....60	
	Guards Chain Double Row Rear.....62	
	Guards Chain Single Row Front.....64	
	Guards Chain Single Row Rear.....66	
H		
	Hitch A-Frame.....20	
	Hitch Ball Coupler.....22	
	Hitch Bar-Tite.....24	
	Hitch LP Performance.....26	
	Hitch Pintle.....28	
	Hitch Swivel Clevis.....30	

General Information

Using This Manual

This manual is divided into sections. The first section contains General Information. The remaining sections divide the machine into segments (i.e. Frames, Drives, Hydraulics, etc.) which illustrate and list all parts. A Parts Number Index is located at the back of the book.

The Land Pride parts in this manual are specially designed for this machine and should be replaced with Land Pride parts only.

The information in this manual is current at time of printing. Some parts may change to assure top performance.

Right-hand and left-hand as used in this manual are determined by facing the direction the machine will travel while in use.

Below is an example of two facing pages from a parts manual. Familiarize yourself with the type of information contained on these pages.

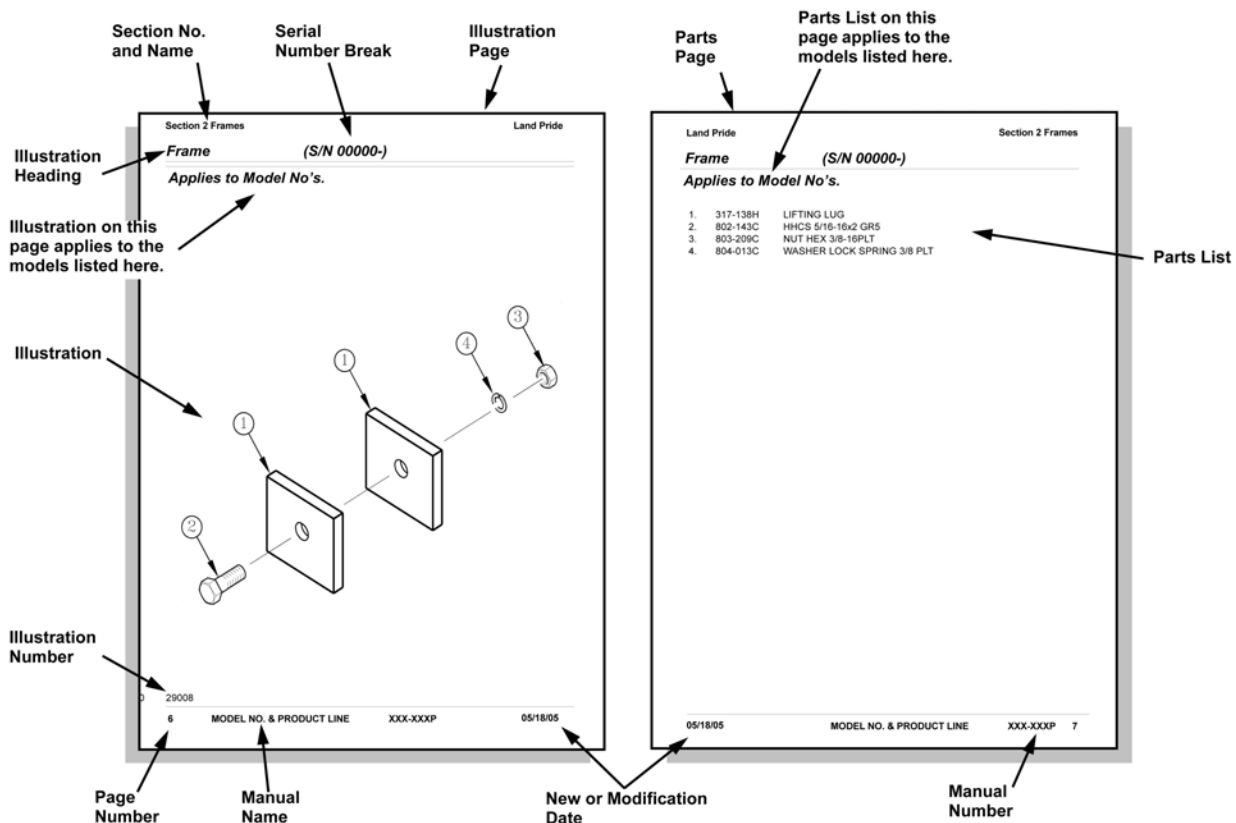
Manual Replacement Information

Replacement manuals are available. Refer to our website at www.landpride.com or e-mail us at lit@landpride.com for additional information. Our website continues to provide the most up-to-date manuals available.

Touch-up Paint

Repaint parts where paint is worn or scratched to prevent rust. Aerosol cans and touch-up bottles with brush applicator are available through your local dealer. Also available are quart and gallon size paints. Add QT or GL to end of the Aerosol P/N.

Land Pride color descriptions and part numbers are listed on the "Land Pride Touch-up Paints" page in the "Decals" section of this book. Color options vary by product.



General Information

Hardware Legend

AR	As Required
BLADE	Blade Bolt
C	Cap Screw
CP	Cotter Pin
CPHSSS	Cup Point Hex Socket Set Screw
CPSHSS	Cup Point Square Head Set Screw
CPSQHSS	Cup Point Square Head Set Screw
CRFCHMS3	Cross Recess Flat Countersunk Head Machine Screw
CRPHMS	Cross Recess Pan Head Machine Screw
CRPHTF	Cross Recess Pan Head Thread Forming
CRRHMS	Cross Recess Round Head Machine Screw
CRTHMS	Cross Recess Truss Head Machine Screw
CSNB	Countersunk Square Neck Bolt
FHMS	Flat Head Machine Screw
FTC	Full Thread Cap Screw
H	Hex Nut
HCLN	Hex Center Lock Nut
HFLCS	Hex Flange Lock Cap Screw
HFS	Hex Flange Screw
HFSLN	Hex Flange Serrated Lock Nut
HFSS	Hex Flange Serrated Screw
HHCS	Hex Head Cap Screw or Metric Bolt
HSBHCS	Hex Socket Button Head Cap Screw
HSFCHCS	Hex Socket Flat Countersunk Head Cap Screw
HSHCS	Hex Socket Head Cap Screw
HSSS	Hex Socket Head Screw
HTLN	Hex Top Lock Nut
HWHCS	Hex Washer Head Cap Screw

HWHMS	Hex Washer Head Machine Screw
HXBHCS	Hex Socket Button Head Cap Screw
J	Hex Jam Nut
JIC	37 Degree Tapered Thread
L	Helical Spring Lock Washer
LUG	Lug Bolt
NFC	National Fine Cap Screw
NPSM	National Pipe Straight Mechanical
NPTF	National Pipe Taper Fuel
P	Wide Plain Washer
PHMS	Pan Head Machine Screw
PLOW	Plow Bolt
RHMS	Round Head Machine Screw
RHSNB	Round Head Square Neck Bolt
SCREW LEVELING	Leveling Screw
SCREW THUMB	Thumb Screw
SCREW WELD	Weld Screw
SFCHMS	Slotted Flat Countersunk Head Machine Screw
SFHMS	Slotted Fillister Head Machine Screw
SP	Special
SP SCREW	Special Screw
SQHSS	Square Head Set Screw
SRHMS	Slotted Round Head Machine Screw
SSS	Socket Set Screw
STCS	Self Tapping Cap Screw
STHMS	Slotted Truss Head Machine Screw
WHEEL	Wheel Studs and Hub Long Bolts
WING	Wing Bolt

Replacement Hardware

The **Hardware Legend** above lists hardware abbreviations used in the parts list. All bolts and nuts are Grade 5 unless otherwise noted. The use of improper grades of hardware can result in personal injury, damage to equipment, or loss of property.

Colored Replacement Parts

Land Pride offers replacement parts in factory standard colors and also on select models in Green, Orange, Red and Blue. Because of the variety of colors available, special attention must be given to the part number to prevent ordering the wrong replacement part.

A suffix number corresponding to one of the colors below must be added at the end of Land Pride's part number when ordering a replacement part with that color.

81 Green 83 Red
82 Orange 84 Blue

For example, if you are ordering a replacement part with part number 555-555C and the part you need is red, then add the suffix 83 to the end of the number to make the part number read 555-555C83. Parts ordered without a suffix number will be supplied in factory standard colors.

Black Replacement Parts

Some parts are factory standard black and some must be special ordered black. If your part is special ordered black, a second part number with the additional suffix number 85 on the end will be available. In this situation you must order that part with the suffix number for it to be black. Parts that are factory standard black will not have the suffix number.

Part Number Service Coding

Within the parts list some part numbers are coded for revisions and interchangeability. See notations in revision column.

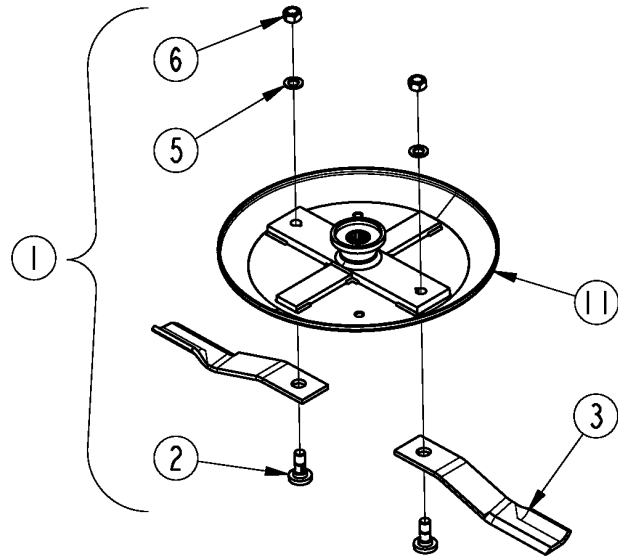
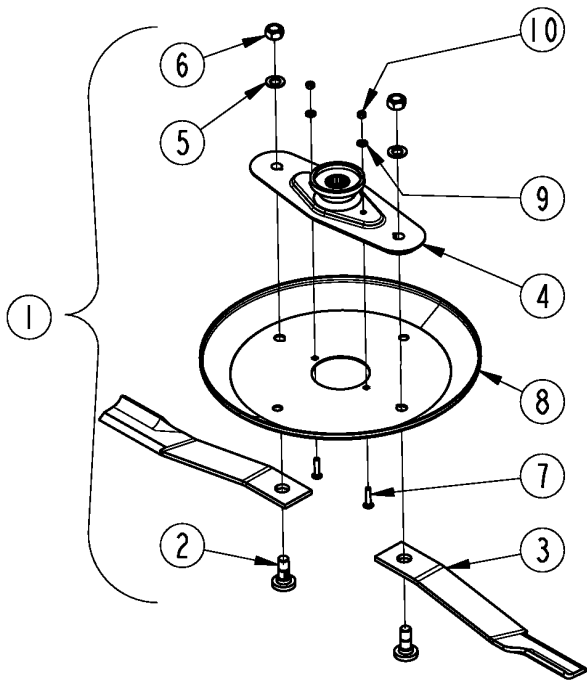
Serial Numbers

Always use the serial and model number when ordering parts. Refer to the Operator's Manual for serial number plate location.

- | | |
|----------------------|--|
| (S/N 20001+) | Includes serial numbers 20001 and above (to the latest number) |
| (S/N 10001 to 20000) | Includes serial numbers between and including 10001 and 20000 |
| (S/N 10000-) | Includes serial numbers 10000 and below (to the earliest number) |

Blade Carrier - Bolt-on & Welded Dishpans

Applies to RC4710, RCL4710, RCLM4710, RCM4710



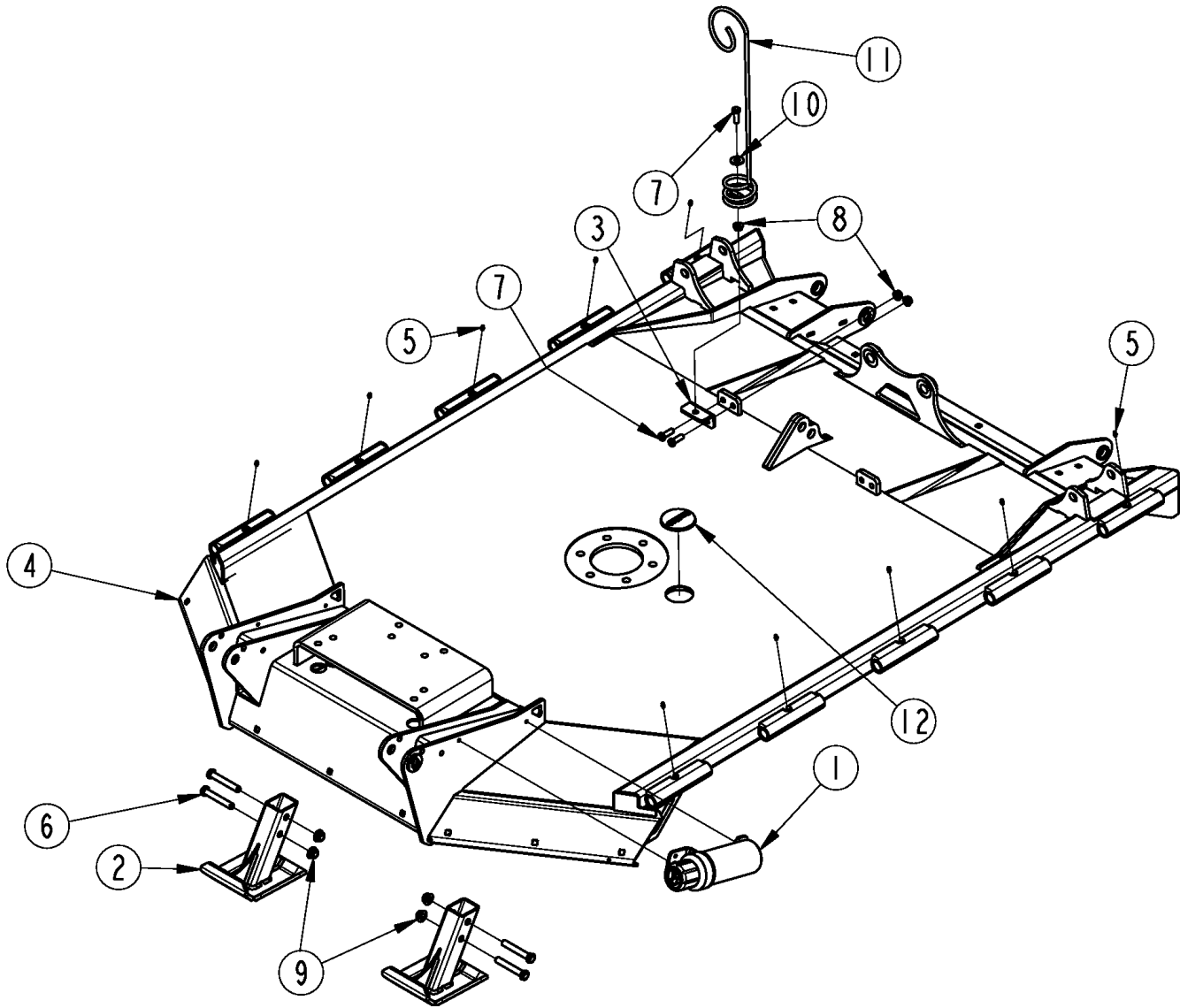
72231

Blade Carrier - Bolt-on & Welded Dishpans**Applies to RC4710, RCL4710, RCLM4710, RCM4710**

Ref	Part No.	Part Description	Comments	Revision
	Dwg 72231	Image No.		
1.	318-586A	Blade Bolt Kit	Includes balloon items 2, 5, & 6	
2.	802-277C	BLD BLT 1 1/8-12X3.44 W/.25KEY		
3.	820-723C	CUTTER BLADE 1/2X4X29 CW	Center - standard - RC(M) models	
3.	820-721C	CUTTER BLADE 1/2X4X29 CCW	Center - standard - RCL(M) models	
3.	820-722C	CUTTER BLADE 1/2X4X23 CW	Wing - standard - RC(M) models	
3.	820-720C	CUTTER BLADE 1/2X4X23 CCW	Wing - standard - RCL(M) models	
3.	820-544C	CUTTER BLADE 1/2X4X29 CW LL	Center - Low Lift - RC(M) models	
3.	820-478C	CUTTER BLADE 1/2X4X29 CCW LL	Center - Low Lift - RCL(M) models	
3.	820-480C	CUTTER BLADE 1/2X4X23 CW LL	Wing - Low Lift - RC(M) models	
3.	820-479C	CUTTER BLADE 1/2X4X23 CCW LL	Wing - Low Lift - RCL(M) models	
3.	820-727C	CUTTER BLADE 1/2X4X29 CW HL	Center - High Lift - RC(M) models	
3.	820-725C	CUTTER BLADE 1/2X4X29 CCW HL	Center - High Lift - RCL(M) models	
3.	820-726C	CUTTER BLADE 1/2X4X23 CW HL	Wing - High Lift - RC(M) models	
3.	820-724C	CUTTER BLADE 1/2X4X23 CCW HL	Wing - High Lift - RCL(M) models	
4.	334-053H	25DMD BLD BAR WMT 19C/C		
5.	804-147C	WASHER FLAT 1" HARDENED		
6.	803-170C	NUT HEX TOP LOCK 1 1/8-12 PLT		
7.	802-250C	RHSNB 1/2-13X2 1/4 GR5		
8.	331-507D	BOLT ON DISHPAN		
9.	804-016C	WASHER FLAT 1/2 SAE PLT		
10.	803-342C	NUT HEX TOP LOCK 1/2-13 PLT		
11.	330-970H	30RND DSHPN WMT 19C/C FLAT		

Deck Center Components

Applies to RC4710, RCL4710, RCLM4710, RCM4710



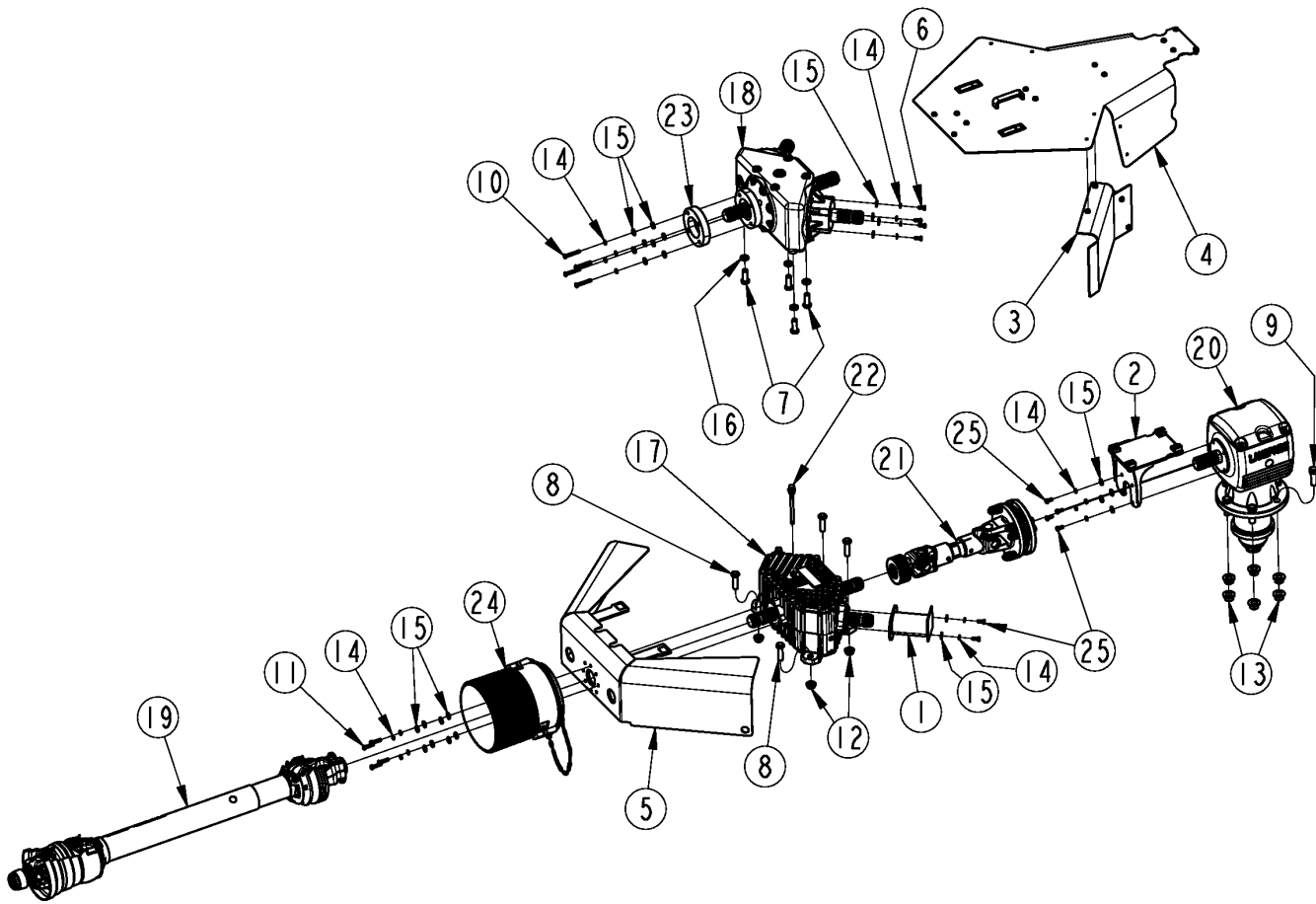
72305

Deck Center Components**Applies to RC4710, RCL4710, RCLM4710, RCM4710**

Ref	Part No.	Part Description	Comments	Revision
	Dwg 72305	Image No.		
1.	318-920S	MANUAL STORAGE CONTAINER KIT	Includes hardware	
2.	331-688H	CENTER SKID SHOE		
3.	334-069D	HOSE LOOP HOLDER		
4.	334-164H	CENTER DECK	Beige deck	
4.	334-164H81	CENTER DECK, GREEN	Green deck	
4.	334-164H82	CENTER DECK, ORANGE	Orange deck	
4.	334-164H83	CENTER DECK, RED	Red deck	
4.	334-164H86	CENTER DECK, YELLOW	Yellow deck	
4.	334-165H	CENTER DECK W/DR	Beige deck with deck ring	
4.	334-165H81	CENTER DECK W/DR, GREEN	Green deck with deck ring	
4.	334-165H82	CENTER DECK W/DR, ORANGE	Orange deck with deck ring	
4.	334-165H83	CENTER DECK W/DR, RED	Red deck with deck ring	
4.	334-165H86	CENTER DECK W/DR, YELLOW	Yellow deck with deck ring	
5.	800-001C	GREASE ZERK STRAIGHT 1/4-28		
6.	802-060C	HHCS 5/8-11X4 GR5		
7.	802-091C	HHCS 1/2-13X1 1/2 GR5		
8.	803-037C	NUT HEX WHIZ 1/2-13 PLT GR5		
9.	803-263C	NUT HEX FLANGE LOCK 5/8-11 PLT		
10.	804-017C	WASHER FLAT 1/2 USS PLT		
11.	807-073C	SPRING HOSE LOOP HEAVY		
12.	840-273C	PLUG LP 3" ID RUBBER		

Deck Center Drive Components

Applies to RC4710, RCL4710, RCLM4710, RCM4710



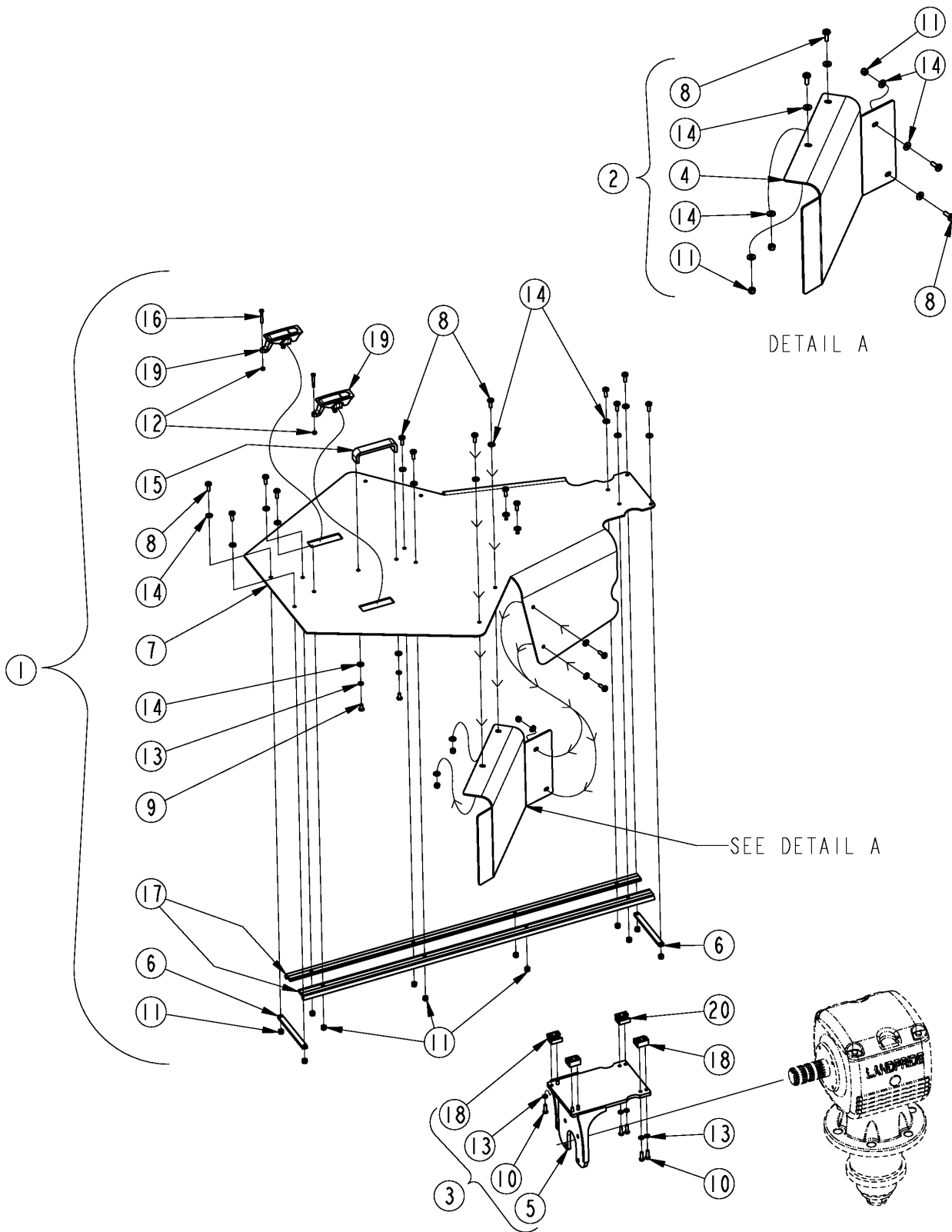
72634

Deck Center Drive Components**Applies to RC4710, RCL4710, RCLM4710, RCM4710**

Ref	Part No.	Part Description	Comments	Revision
	Dwg 72634	Image No.		
1.	318-141H	WLDMT. SHAFT PROTECTOR		
2.	331-555S	GEARBOX BEARING BLOCK MNT		
3.	331-583V	OFFSET SPLITTER PANEL ASSY	RC(M) models only	
3.	334-753V	OFFSET SPLITTER PANEL ASSY RH	RCL(M) models only	
4.	334-951V	SLIDING SHIELD RAIL ASY	S/N 1456415+	
4.	334-619V	SLIDING SHIELD RAIL ASY	S/N 1456414-	
5.	334-727H	FRONT FIXED SHIELD, SHORT		
6.	802-007C	HHCS 5/16-18X3/4 GR5		
7.	802-053C	HHCS 5/8-11X1 3/4 GR5 FTHD		
8.	802-057C	HHCS 5/8-11X2 1/4 GR5		
9.	802-065C	HHCS 3/4-10X2 1/4 GR5		
10.	802-138C	HHCS 5/16-18X2 1/4 GR5		
11.	802-967C	HHCS M8X1.25X35 GR8.8		
12.	803-263C	NUT HEX FLANGE LOCK 5/8-11 PLT		
13.	803-299C	NUT HEX FLG TOP LK 3/4-10 PLT		
14.	804-009C	WASHER LOCK SPRING 5/16 PLT		
15.	804-010C	WASHER FLAT 5/16 USS PLT		
16.	804-022C	WASHER LOCK SPRING 5/8 PLT		
17.	826-520C	DIV BOX 540RPM 1 3/4-20	Comer & ITG - RC & RCL models	
18.	826-521C	DIV BOX 1000RPM 1 3/4-20	Comer & ITG - RCM & RCLM models	
19.	826-643C	DRVLN C6 42 1.38-6 CV	540 RPM	
19.	826-884C	DRVLN C6 39 1.38-6 CV ORCLTCH	540 RPM - overrunning clutch	
19.	826-644C	DRVLN C6 42 1.38-21 CV	1000 RPM	
19.	826-645C	DRVLN C6 47 1.75-20 CV	1000 RPM	
19.	826-793C	DRVLN C6 39 1.38-21 CV ORCLTCH	1000 RPM - overrunning clutch	
20.	826-721C	GBOX RC50 1:1.60 REV	RC models	
20.	826-650C	GBOX RC50 1:1.60 STD	RCL models	
20.	826-726C	GBOX RC50 1.15:1 REV	RCM models	
20.	826-725C	GBOX RC50 1.15:1 STD	RCLM models	
21.	826-818C	DRVLN C4 11 1.75-20 FX CLTCH		
22.	826-848C	COMER 0.340.7101.00 DIPSTICK		
23.	837-076C	SHIELD SPACER		
24.	837-079C	DRVLN SHLD CONE,2 PIECE 11.25L		
25.	842-505C	HHCS M8X1.25X25 GR8.8 THD-LCK	S/N _____+	
25.	842-243C	HHCS M8X1.25X20 GR8.8 THD-LCK	S/N _____-	

Deck Center Sliding Shield & Mount S/N 1456414-

Applies to RC4710, RCL4710, RCLM4710, RCM4710



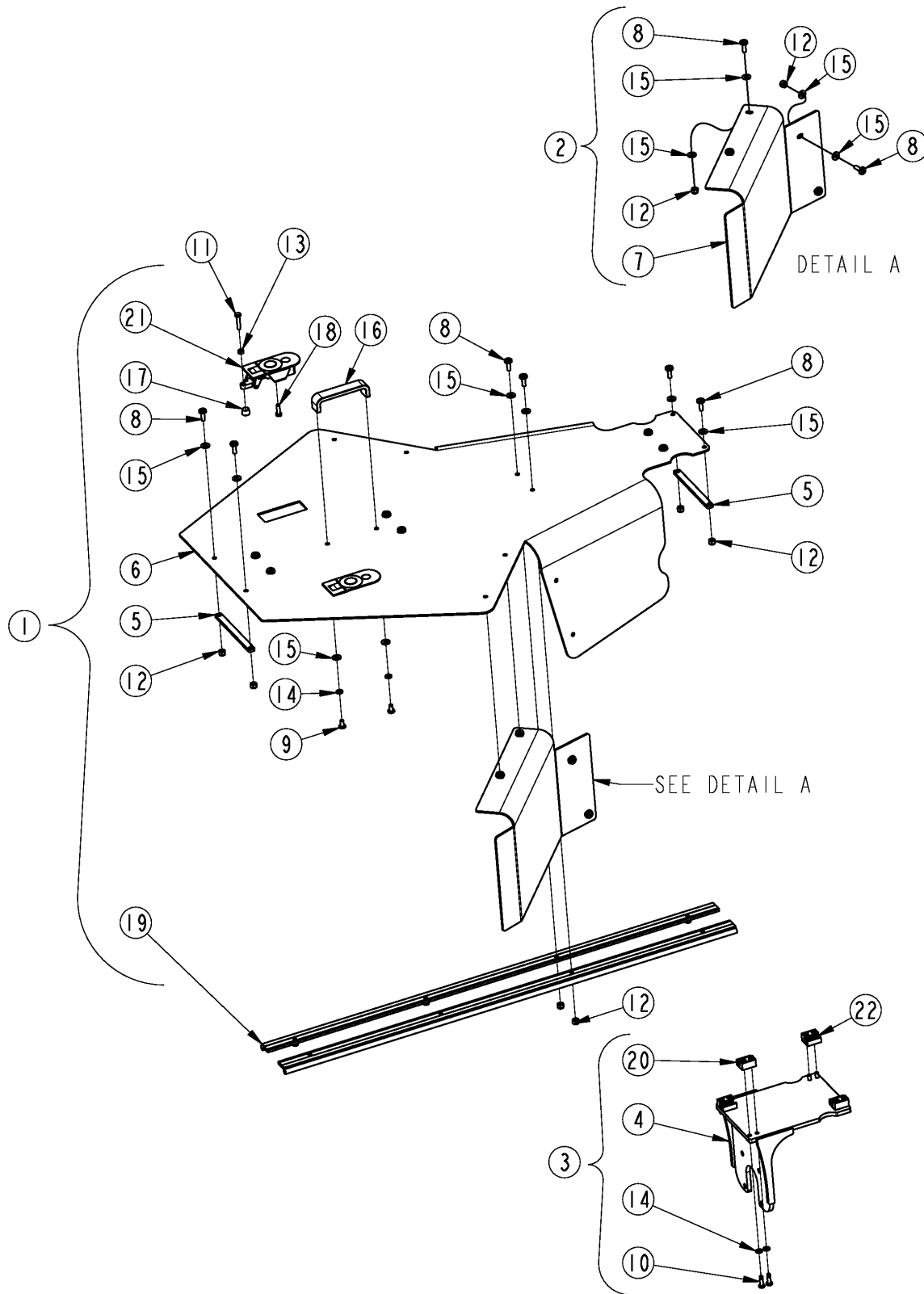
72648

Deck Center Sliding Shield & Mount S/N 1456414-**Applies to RC4710, RCL4710, RCLM4710, RCM4710**

Ref	Part No.	Part Description	Comments	Revision
	Dwg 72648	Image No.	RC(M) model shown in illustration	
1.	334-619V	SLIDING SHIELD RAIL ASSY		
2.	331-583V	OFFSET SPLITTER PANEL ASSY	RC(M) models only	
2.	334-753V	OFFSET SPLITTER PANEL ASSY RH	RCL(M) models only	
3.	331-555S	GEARBOX BEARING BLOCK MNT *		
4.	331-121D	SPLITTER OFFSET PANEL	RC(M) models only	
4.	334-054D	SPLITTER OFFSET PANEL, RH	RCL(M) models only	
5.	331-554H	SLIDING SHIELD GB MNT, 50/60GB		
6.	331-974D	SLIDE STOP		
7.	331-979D	SLIDING SHIELD		
8.	801-248C	PAN HD 1/4-20X3/4 PHILLIPS SS		
9.	802-301C	HHCS 1/4-20X1/2 GR5		
10.	802-843C	HHCS M6X1X20 18-8 SS		
11.	803-255C	NUT HEX NYLOCK 1/4-20		
12.	803-390C	NUT HEX NYLOCK M5X.8		
13.	804-006C	WASHER LOCK SPRING 1/4 PLT		
14.	804-034C	WASHER FLAT 1/4 SAE SS		
15.	817-936C	HANDLE GRAB 4 1/8WIDE1 1/2TALL		
16.	842-475C	HHCS M5X0.8X35 GR 8.8		
17.	891-485C	WS-10 GUIDE RAIL		
18.	891-487C	FLOATING ZINC BEARING BLOCK		
19.	891-883C	FLUSH MOUNT LEVER LATCH		
20.	J200UM-01-10.4	REPLACEMENT LINER		

Deck Center Sliding Shield & Mount S/N 1456415+

Applies to RC4710, RCL4710, RCLM4710, RCM4710



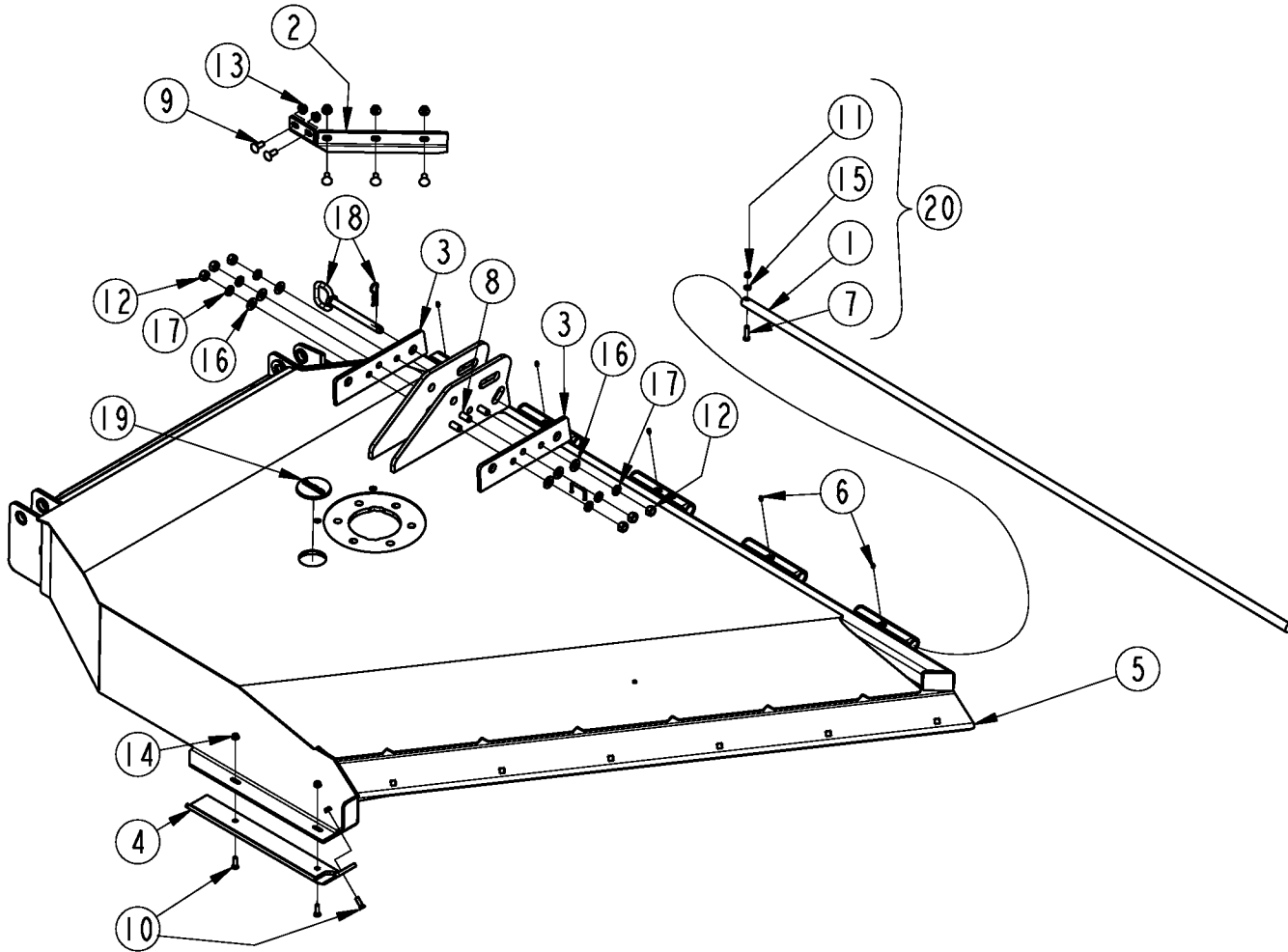
72696

Deck Center Sliding Shield & Mount S/N 1456415+**Applies to RC4710, RCL4710, RCLM4710, RCM4710**

Ref	Part No.	Part Description	Comments	Revision
	Dwg 72696	Image No.	RC(M) model shown in illustration	
1.	334-951V	SLIDING SHIELD RAIL ASSY		
2.	331-583V	OFFSET SPLITTER PANEL ASSY	RC(M) models only	
2.	334-753V	OFFSET SPLITTER PANEL ASSY RH	RCL(M) models only	
3.	331-555S	GEARBOX BEARING BLOCK MNT *		
4.	331-554H	SLIDING SHIELD GB MNT, 50/60GB		
5.	331-974D	SLIDE STOP		
6.	334-096D	SLIDING SHIELD		
7.	331-121D	SPLITTER OFFSET PANEL	RC(M) models only	
7.	334-054D	SPLITTER OFFSET PANEL, RH	RCL(M) models only	
8.	801-248C	PAN HD 1/4-20X3/4 PHILLIPS SS		
9.	802-301C	HHCS 1/4-20X1/2 GR5		
10.	802-843C	HHCS M6X1X20 18-8 SS		
11.	802-954C	HHCS M6X1X30 GR8.8		
12.	803-255C	NUT HEX NYLOCK 1/4-20		
13.	803-354C	NUT HEX M6-1		
14.	804-006C	WASHER LOCK SPRING 1/4 PLT		
15.	804-034C	WASHER FLAT 1/4 SAE SS		
16.	817-936C	HANDLE GRAB 4 1/8WIDE1 1/2TALL		
17.	836-064C	RUBBER BOLT HEAD BUMPER		
18.	842-021C	HHCS M6X1X20 GR8.8		
19.	891-485C	WS-10 GUIDE RAIL		
20.	891-487C	FLOATING ZINC BEARING BLOCK		
21.	334-150D	LEVER LATCH W/HOLE	S/N _____ +	
21.	891-964C	LEVER LATCH	S/N _____ -	
22.	J200UM-01-10.4	REPLACEMENT LINER		

Deck Wing Components

Applies to RC4710, RCL4710, RCLM4710, RCM4710



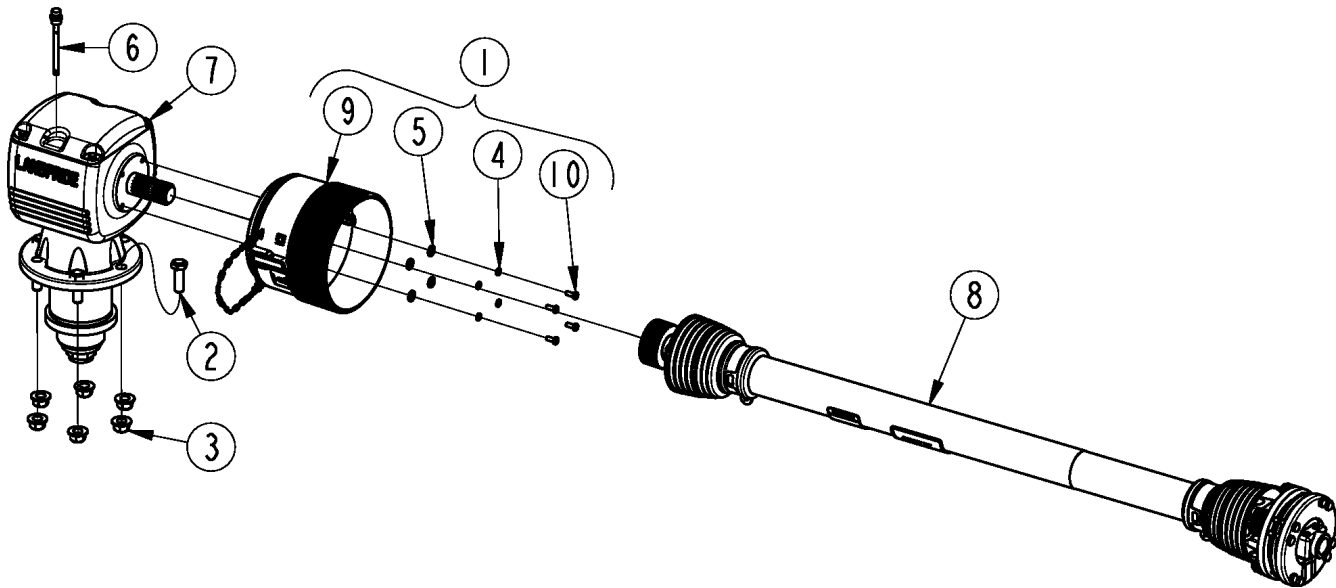
72331

Deck Wing Components**Applies to RC4710, RCL4710, RCLM4710, RCM4710**

Ref	Part No.	Part Description	Comments	Revision
	Dwg 72231	Image No.	RC(M) model shown in illustration	
1.	318-696H	WLDMT. HINGE ROD		
2.	331-204D	RH REAR DEFLECTOR		
3.	331-703D	FOLD LOCK LUG		
4.	331-792H	BEVELED SKID SHOE RH		
5.	334-159H	RH DECK	Right hand beige deck	
5.	334-159H81	RH DECK, GREEN	Right hand green deck	
5.	334-159H82	RH DECK, ORANGE	Right hand orange deck	
5.	334-159H83	RH DECK, RED	Right hand red deck	
5.	334-159H86	RH DECK, YELLOW	Right hand yellow deck	
5.	334-160H	RH DECK, W/DR	Right hand beige deck with deck ring	
5.	334-160H81	RH DECK W/DR, GREEN	Right hand green deck with deck ring	
5.	334-160H82	RH DECK W/DR, ORANGE	Right hand orange deck with deck ring	
5.	334-160H83	RH DECK W/DR, RED	Right hand red deck with deck ring	
5.	334-160H86	RH DECK W/DR, YELLOW	Right hand yellow deck with deck ring	
5.	334-161H	LH DECK	Left hand beige deck	
5.	334-161H81	LH DECK, GREEN	Left hand green deck	
5.	334-161H82	LH DECK, ORANGE	Left hand orange deck	
5.	334-161H83	LH DECK, RED	Left hand red deck	
5.	334-161H86	LH DECK, YELLOW	Left hand yellow deck	
5.	334-162H	LH DECK, W/DR	Left hand beige deck with deck ring	
5.	334-162H81	LH DECK, WDR, GREEN	Left hand green deck with deck ring	
5.	334-162H82	LH DECK, W/DR, ORANGE	Left hand orange deck with deck ring	
5.	334-162H83	LH DECK, W/DR, RED	Left hand red deck with deck ring	
5.	334-162H86	LH DECK, W/DR, YELLOW	Left hand yellow deck with deck ring	
6.	800-001C	GREASE ZERK STRAIGHT 1/4-28		
7.	802-022C	HHCS 3/8-16X1 1/2 GR5		
8.	802-053C	HHCS 5/8-11X1 3/4 GR5 FTHD		
9.	802-214C	RHSNB 1/2-13X1 1/4 GR5		
10.	802-466C	PLOW 3/8-16X1 1/4 GR5		
11.	803-014C	NUT HEX 3/8-16 PLT		
12.	803-021C	NUT HEX 5/8-11 PLT		
13.	803-037C	NUT HEX WHIZ 1/2-13 PLT GR5		
14.	803-198C	NUT HEX WHIZ 3/8-16 PLT		
15.	804-013C	WASHER LOCK SPRING 3/8 PLT		
16.	804-021C	WASHER FLAT 5/8 SAE PLT		
17.	804-022C	WASHER LOCK SPRING 5/8 PLT		
18.	805-562C	PIN HTCH .75X6.50 USBL W/PIN		
19.	840-273C	PLUG LP 3" ID RUBBER		
20.	318-695L	ASSY. HINGE ROD		

Deck Wing Drive Components

Applies to RC4710, RCL4710, RCLM4710, RCM4710



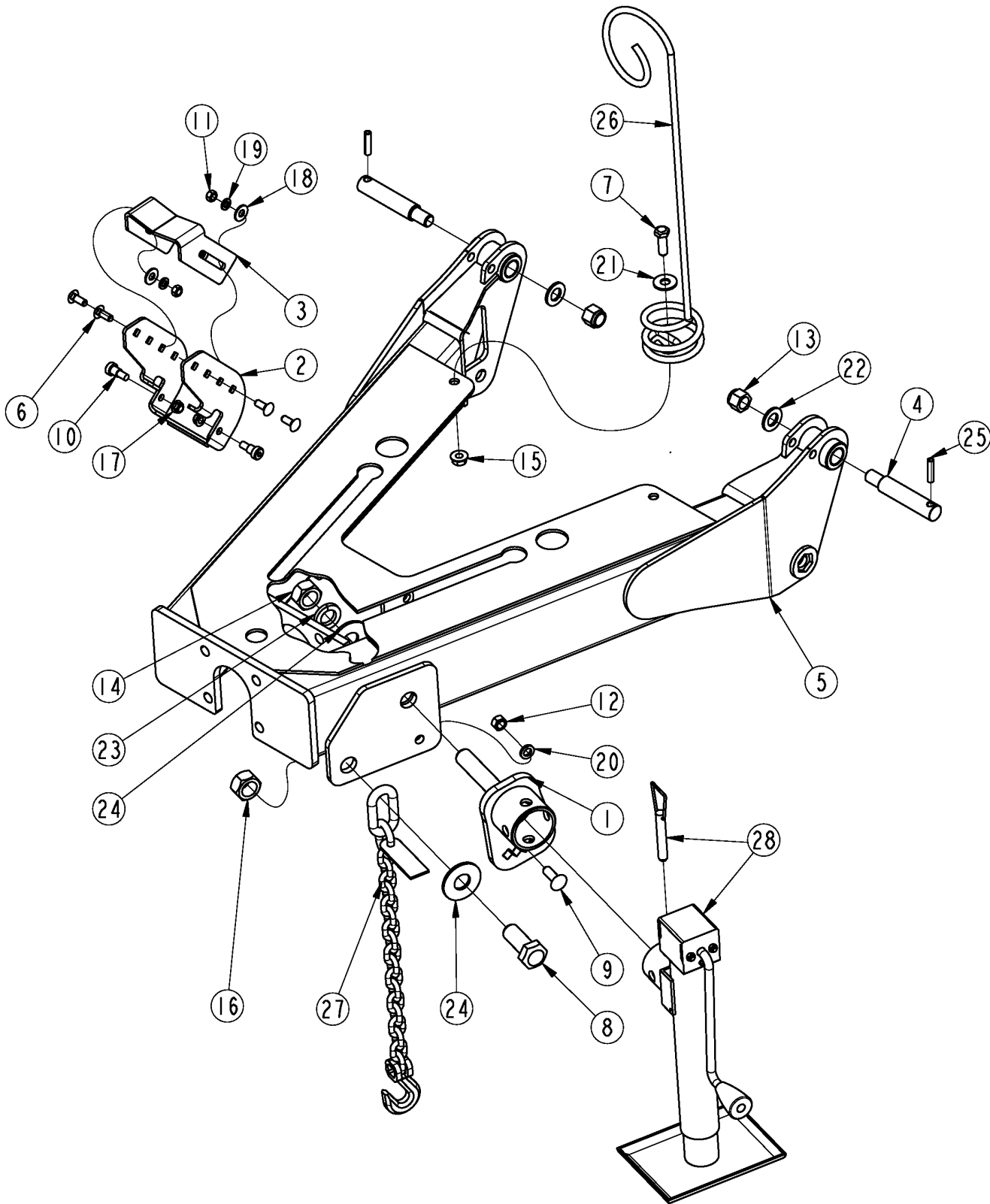
72651

Deck Wing Drive Components**Applies to RC4710, RCL4710, RCLM4710, RCM4710**

Ref	Part No.	Part Description	Comments	Revision
	Dwg 72651	Image No.		
1.	334-231S	SHORT SHIELD ASY		
2.	802-065C	HHCS 3/4-10X2 1/4 GR5		
3.	803-299C	NUT HEX FLG TOP LK 3/4-10 PLT		
4.	804-009C	WASHER LOCK SPRING 5/16 PLT		
5.	804-010C	WASHER FLAT 5/16 USS PLT		
6.	826-486C	COMER U0.125.7003.00 DIPSTICK		
7.	826-650C	GBOX RC50 1:1.60 STD	RC models	
7.	826-721C	GBOX RC50 1:1.60 REV	RCL models	
7.	826-317C	GBOX RCM50 1:1.21 STD	RCM models	
7.	826-319C	GBOX RCM50 1:1.21 REV	RCLM models	
8.	826-811C	DRVLN C4 50 1.75-20 FX CLTCH		
8.	826-812C	DRVLN C5 48 1.75-20 FX CLTCH		
9.	837-066C	DRVLN SHLD CONE,2 PIECE 8.25L		
10.	842-243C	HHCS M8X1.25X20 GR8.8 THD-LCK		

Hitch A-Frame

Applies to RC4710, RCL4710, RCLM4710, RCM4710



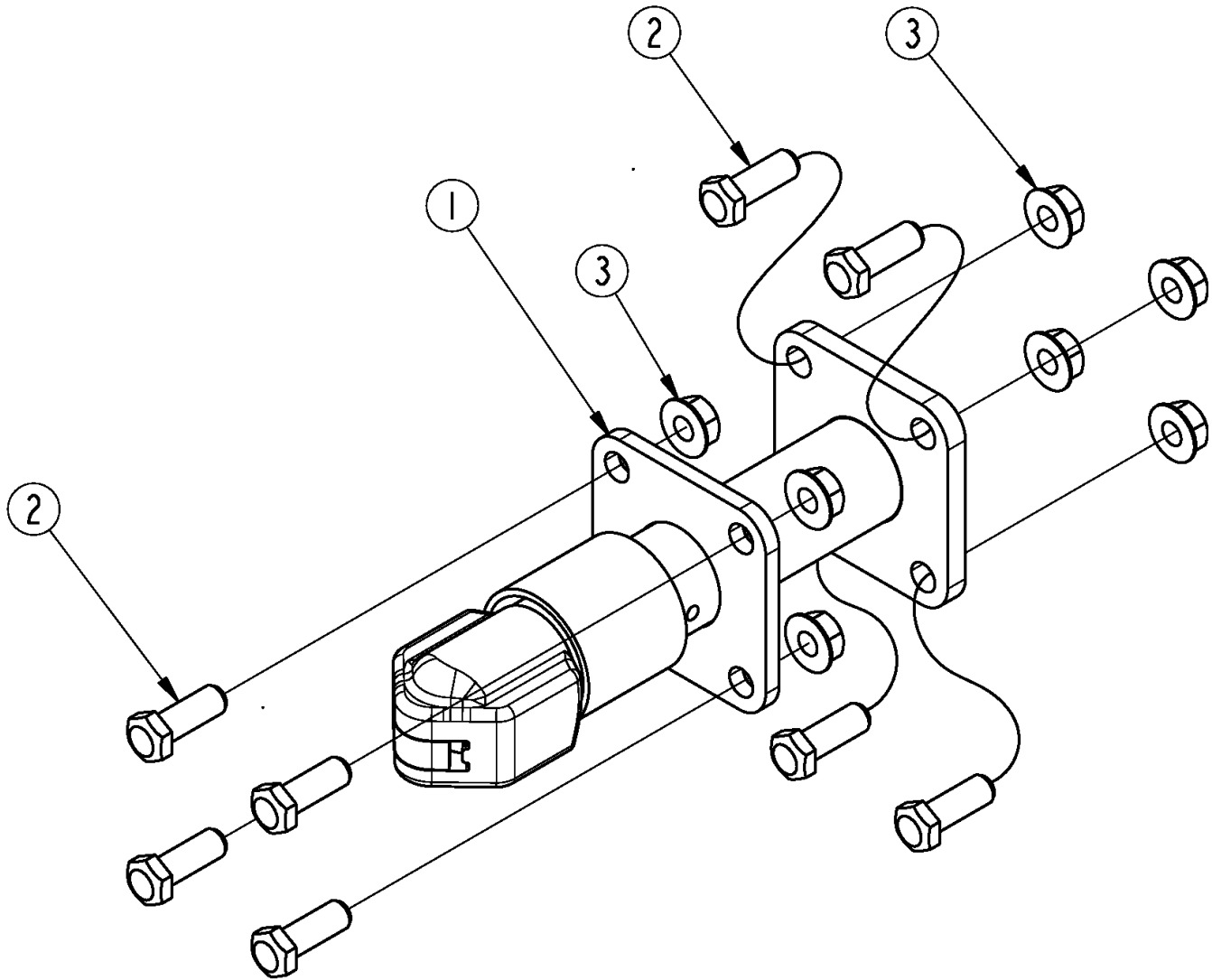
70619

Hitch A-Frame**Applies to RC4710, RCL4710, RCLM4710, RCM4710**

Ref	Part No.	Part Description	Comments	Revision
	Dwg 70619	Image No.		
1.	331-561H	ADJUSTABLE JACK MOUNT		
2.	331-670D	PTO HANGER HINGE		
3.	331-671D	PTO HANGER		
4.	331-958D	PIVOT PIN 1" SHORT		
5.	334-468H	TONGUE		
6.	802-015C	RHSNB 3/8-16X1 GR5		
7.	802-091C	HHCS 1/2-13X1 1/2 GR5		
8.	802-096C	HHCS 1-8X2 1/2 GR5		
9.	802-106C	RHSNB 1/2-13X1 1/2 GR5		
10.	802-747C	SHLDR BLT 1/2DX1/2L 3/8-16 SS		
11.	803-014C	NUT HEX 3/8-16 PLT		
12.	803-020C	NUT HEX 1/2-13 PLT		
13.	803-025C	NUT HEX 3/4-10 PLT NYLOCK		
14.	803-031C	NUT HEX 1-8 PLT		
15.	803-037C	NUT HEX WHIZ 1/2-13 PLT GR5		
16.	803-168C	NUT HEX TOP LOCK 1-8 PLT		
17.	803-209C	NUT FLANGE LOCK 3/8-16 PLT		
18.	804-011C	WASHER FLAT 3/8 USS PLT		
19.	804-013C	WASHER LOCK SPRING 3/8 PLT		
20.	804-015C	WASHER LOCK SPRING 1/2 PLT		
21.	804-017C	WASHER FLAT 1/2 USS PLT		
22.	804-025C	WASHER FLAT 3/4 SAE PLT		
23.	804-027C	WASHER LOCK SPRING 1 PLT		
24.	804-028C	WASHER FLAT 1 USS PLT		
25.	805-622C	PIN GROOVE 3/8X1 1/2 TYPE A		
26.	807-073C	SPRING HOSE LOOP HEAVY		
27.	890-182C	SAFETY CHAIN 10000 LB		
28.	891-524C	SIDEWIND JACK 7000 LB		

Hitch Ball Coupler

Applies to RC4710, RCL4710, RCLM4710, RCM4710



26568

Hitch Ball Coupler

Applies to RC4710, RCL4710, RCLM4710, RCM4710

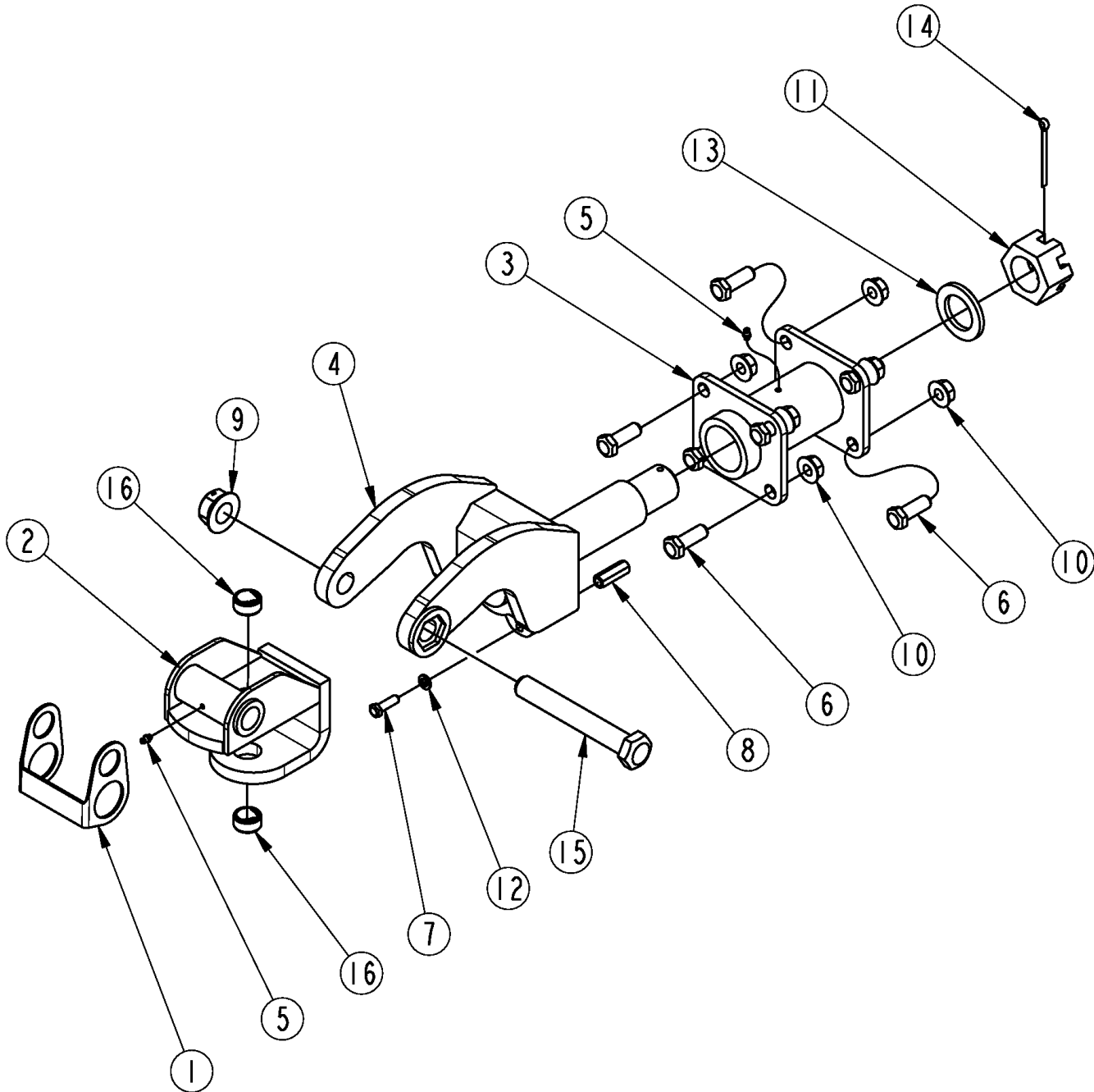
Ref	Part No.	Part Description	Comments	Revision
	Dwg 26568 334-462A	Image No. BALL HITCH, 2 5/16 *	For 2-5/16" Ball - Complete Assembly	
1.	334-474H	2 5/16" BALL HITCH WELDMENT		
2.	802-053C	HHCS 5/8-11X1 3/4 GR5		
3.	803-304C	NUT HEX WHIZ 5/8-11 PLT		

Hitch Bar-Tite**Applies to RC4710, RCL4710, RCLM4710, RCM4710**

Ref	Part No.	Part Description	Comments	Revision
	Dwg 70628 334-460A	Image No. BAR-TITE HITCH *	Complete Assembly	
1.	330-563D	HITCH WEAR PLATE WIDE		
2.	330-564D	FORMED HITCH SUPPORT WIDE		
3.	330-975H	BAR TITE WIDE TOP		
4.	334-472H	SWIVEL RECEIVER		
5.	334-477H	PIVOT SHAFT		
6.	334-480H	BAR TITE PIVOT WELDMENT		
7.	800-001C	GREASE ZERK STRAIGHT 1/4-28		
8.	802-053C	HHCS 5/8-11X1 3/4 GR5 FTHD		
9.	802-070C	HHCS 3/4-10X6 GR5		
10.	802-205C	HHCS 1-8X5 1/2 GR5		
11.	842-460C	HHCS 1-8X7 GR8 SPTHD		
12.	803-168C	NUT HEX TOP LOCK 1-8 PLT		
13.	803-181C	NUT HEX FLANGE LOCK 3/4-10 PLT		
14.	803-258C	NUT HEX FLG LOCK 1-8 GR B PLT		
15.	803-304C	NUT HEX WHIZ 5/8-11 PLT		
16.	803-339C	NUT HEX SLOTTED 1 3/4-5 REGULR		
17.	804-025C	WASHER FLAT 3/4 SAE PLT		
18.	804-028C	WASHER FLAT 1 USS PLT		
19.	804-229C	WASHER HARD 2.75X1.75X.25 PLT		
20.	805-115C	PIN COTTER 1/4 X 3 PLT		
21.	890-862C	BUSHING 1.50ODX1.00IDX1.25		

Hitch LP Performance

Applies to RC4710, RCL4710, RCLM4710, RCM4710



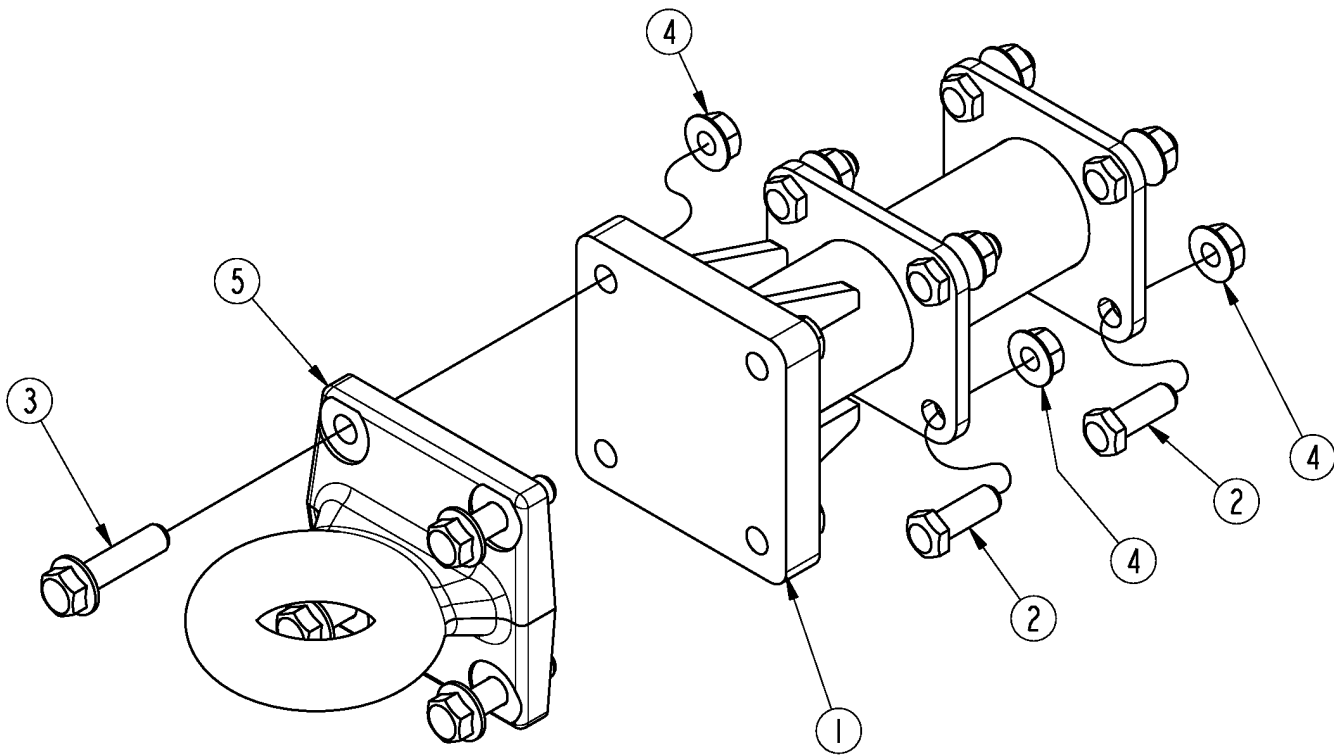
70718

Hitch LP Performance**Applies to RC4710, RCL4710, RCLM4710, RCM4710**

Ref	Part No.	Part Description	Comments	Revision
	Dwg 70718 334-471A	Image No. LAND PRIDE PERFORMANCE HITCH *	Complete Assembly	
1.	331-543D	HITCH HOLDER		
2.	334-046H	HITCH CLEVIS		
3.	334-472H	SWIVEL RECEIVER		
4.	334-482H	LPH YOKE		
5.	800-001C	GREASE ZERK STRAIGHT 1/4-28		
6.	802-053C	HHCS 5/8-11X1 3/4 GR5 FTHTD		
7.	802-079C	HHCS 3/8-16X1 1/4 GR5		
8.	803-201C	NUT HEX COUPLER 3/8-16X1 3/4		
9.	803-258C	NUT HEX FLG LOCK 1-8 GR B PLT		
10.	803-304C	NUT HEX WHIZ 5/8-11 PLT		
11.	803-339C	NUT HEX SLOTTED 1 3/4-5 REGULR		
12.	804-013C	WASHER LOCK SPRING 3/8 PLT		
13.	804-229C	WASHER HARD 2.75X1.75X.25 PLT		
14.	805-115C	PIN COTTER 1/4 X 3 PLT		
15.	842-460C	HHCS 1-8X7 GR8 SPTHDT		
16.	890-850C	BUSHING 1 1/4X1X5/8		

Hitch Pintle

Applies to RC4710, RCL4710, RCLM4710, RCM4710



70627

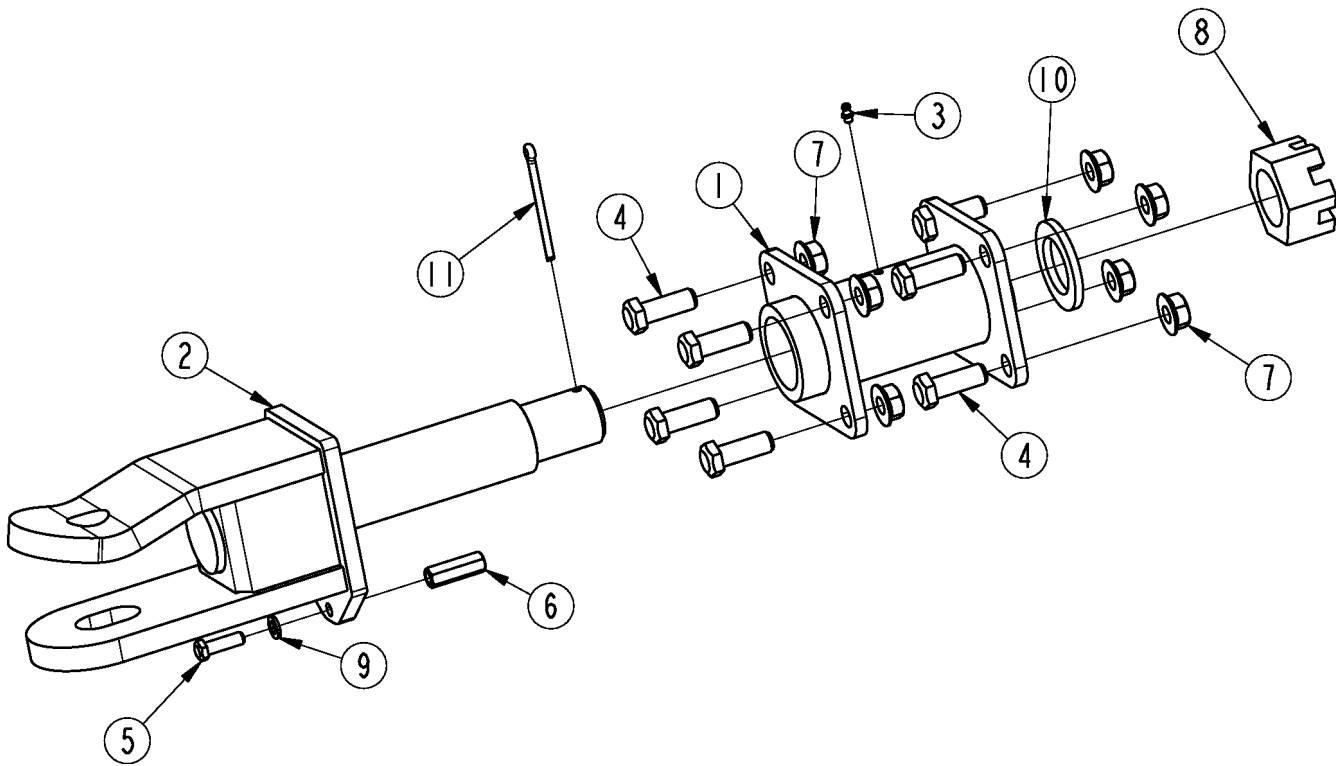
Hitch Pintle

Applies to RC4710, RCL4710, RCLM4710, RCM4710

Ref	Part No.	Part Description	Comments	Revision
	Dwg 70627	Image No.		
	334-470A	FIXED PINTLE HITCH *		
1.	334-475H	PINTLE RECEIVER		
2.	802-053C	HHCS 5/8-11X1 3/4 GR5 FTHD		
3.	802-729C	HFS 5/8-11X2 1/2 GR8 PLT		
4.	803-304C	NUT HEX WHIZ 5/8-11 PLT		
5.	890-806C	PINTLE HOOK SQ.BASE BDB1250-15		

Hitch Swivel Clevis

Applies to RC4710, RCL4710, RCLM4710, RCM4710



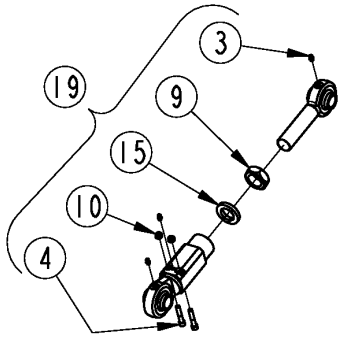
72334

Hitch Swivel Clevis**Applies to RC4710, RCL4710, RCLM4710, RCM4710**

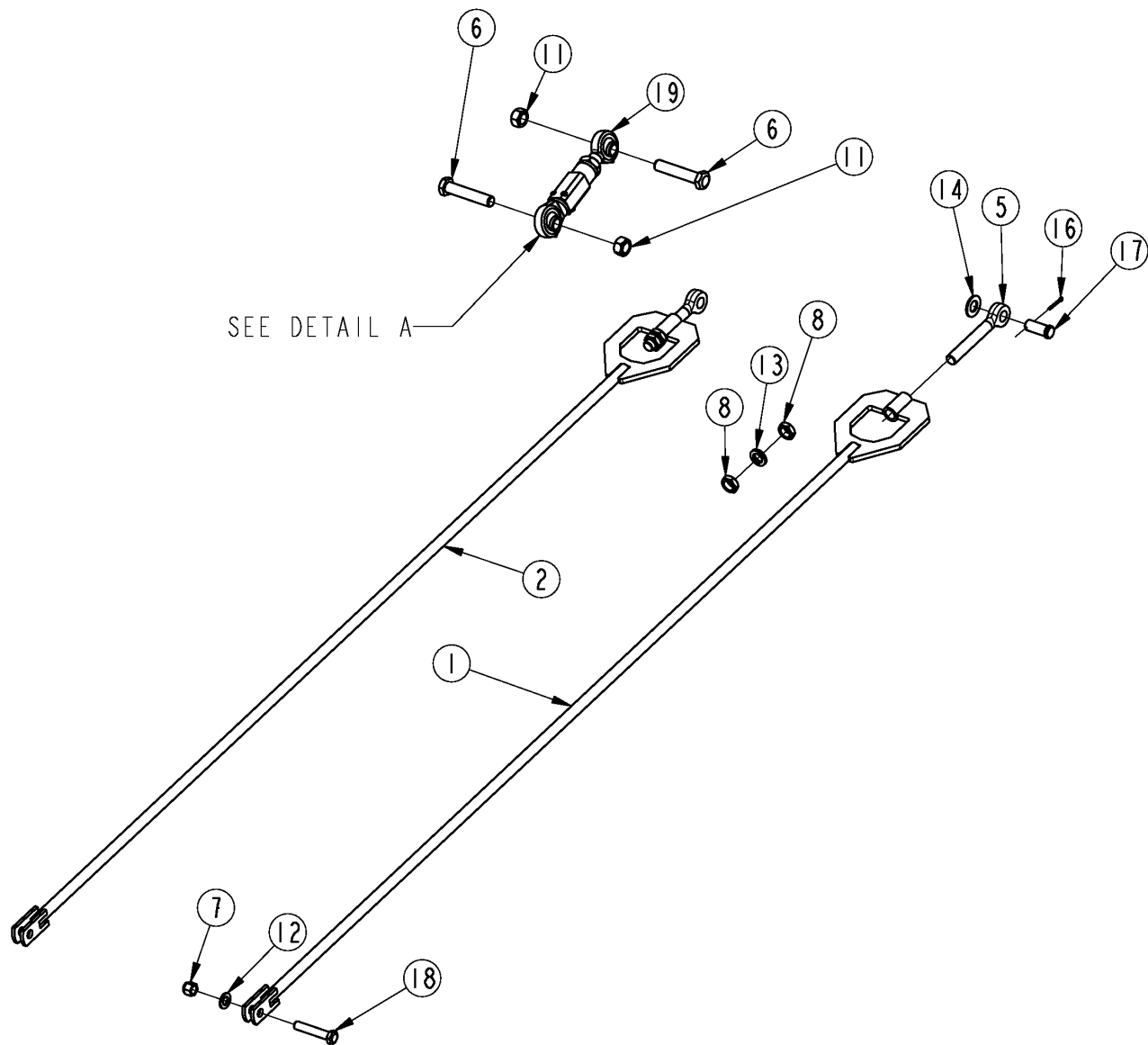
Ref	Part No.	Part Description	Comments	Revision
	Dwg 72334 334-744A	Image No. SWIVEL CLEVIS HITCH *		
1.	334-472H	SWIVEL RECEIVER		
2.	334-742H	SWIVEL HITCH		
3.	800-001C	GREASE ZERK STRAIGHT 1/4-28		
4.	802-053C	HHCS 5/8-11X1 3/4 GR5 FTHD		
5.	802-079C	HHCS 3/8-16X1 1/4 GR5		
6.	803-201C	NUT HEX COUPLER 3/8-16X1 3/4		
7.	803-304C	NUT HEX WHIZ 5/8-11 PLT		
8.	803-339C	NUT HEX SLOTTED 1 3/4-5 REGULR		
9.	804-013C	WASHER LOCK SPRING 3/8 PLT		
10.	804-229C	WASHER HARD 2.75X1.75X.25 PLT		
11.	805-115C	PIN COTTER 1/4 X 3 PLT		

Leveling Rods and Wing Turnbuckles

Applies to RC4710, RCL4710, RCLM4710, RCM4710



DETAIL A



72659

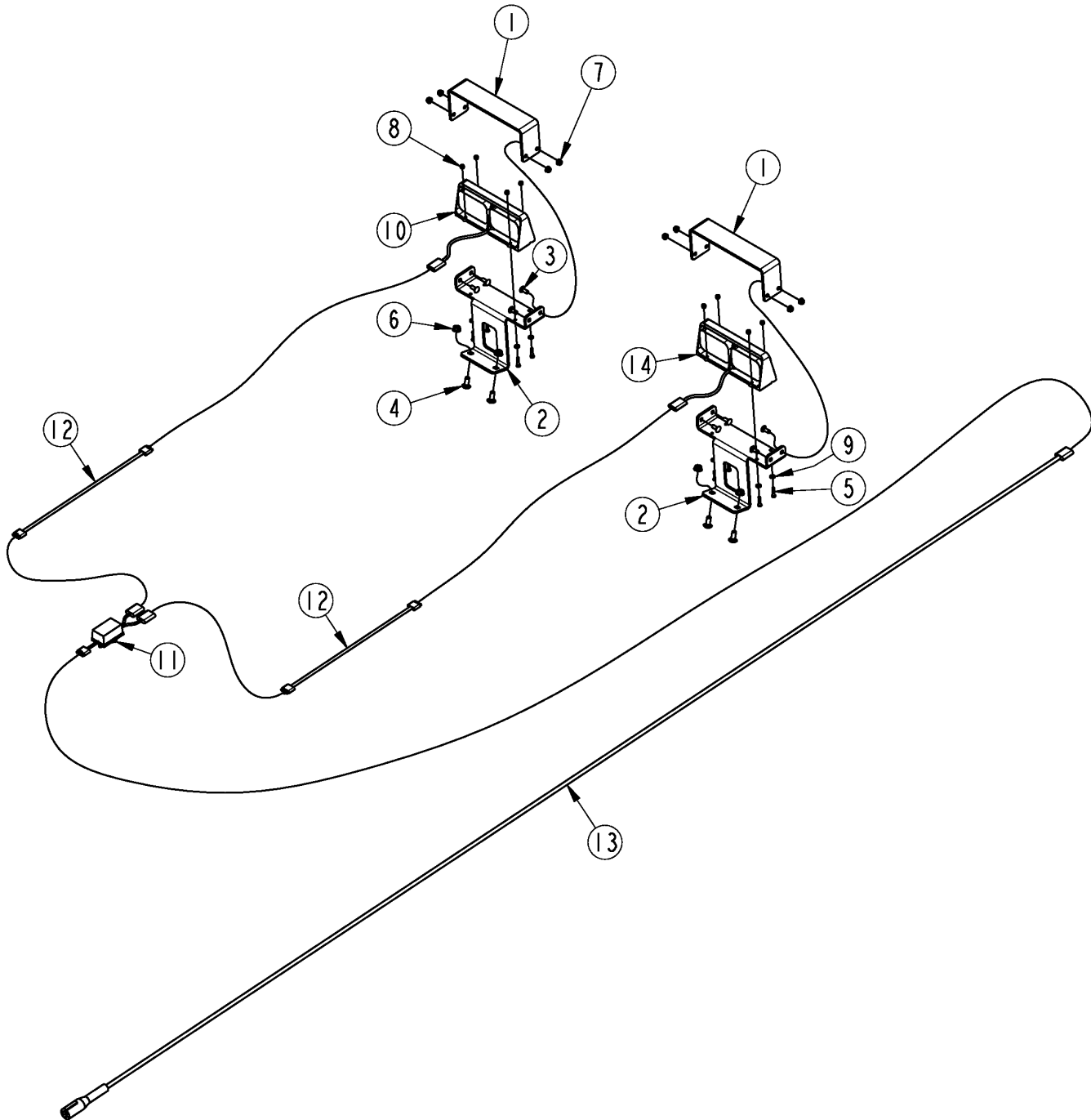
Leveling Rods and Wing Turnbuckles

Applies to RC4710, RCL4710, RCLM4710, RCM4710

Ref	Part No.	Part Description	Comments	Revision
	Dwg 72659	Image No.		
1.	330-195H	LEVELING ROD		
2.	334-469S	LEVEL ROD ASY		
3.	800-001C	GREASE ZERK STRAIGHT 1/4-28		
4.	802-538C	HSHCS 5/16-18X1 3/4		
5.	802-754C	EYE BOLT 1-8X7 1/2 LG PLT SP		
6.	802-915C	HHCS 1-8X5 GR8 PLT SPTH		
7.	803-025C	NUT HEX 3/4-10 PLT NYLOCK		
8.	803-030C	NUT HEX JAM 1-8 PLT		
9.	803-032C	NUT HEX JAM 1 1/4-7 PLT		
10.	803-084C	NUT HEX NYLOCK 5/16-18 PLT		
11.	803-316C	NUT HEX LOCK 1-8 PLT		
12.	804-025C	WASHER FLAT 3/4 SAE PLT		
13.	804-027C	WASHER LOCK SPRING 1 PLT		
14.	804-029C	WASHER FLAT 1 SAE		
15.	804-030C	WASHER LOCK 1 1/4 SPRING PLT		
16.	805-104C	PIN COTTER 3/16 X 1 1/2 PLT		
17.	805-374C	PIN CLVS 1.0X2.06 USBL		
18.	842-172C	HHCS 3/4-10X4 GR8		
19.	890-974C	TRNBCKL, 1BORE W/SWIVEL 9.5		

Light Assembly S/N 1456861-

Applies to RC4710, RCL4710, RCLM4710, RCM4710



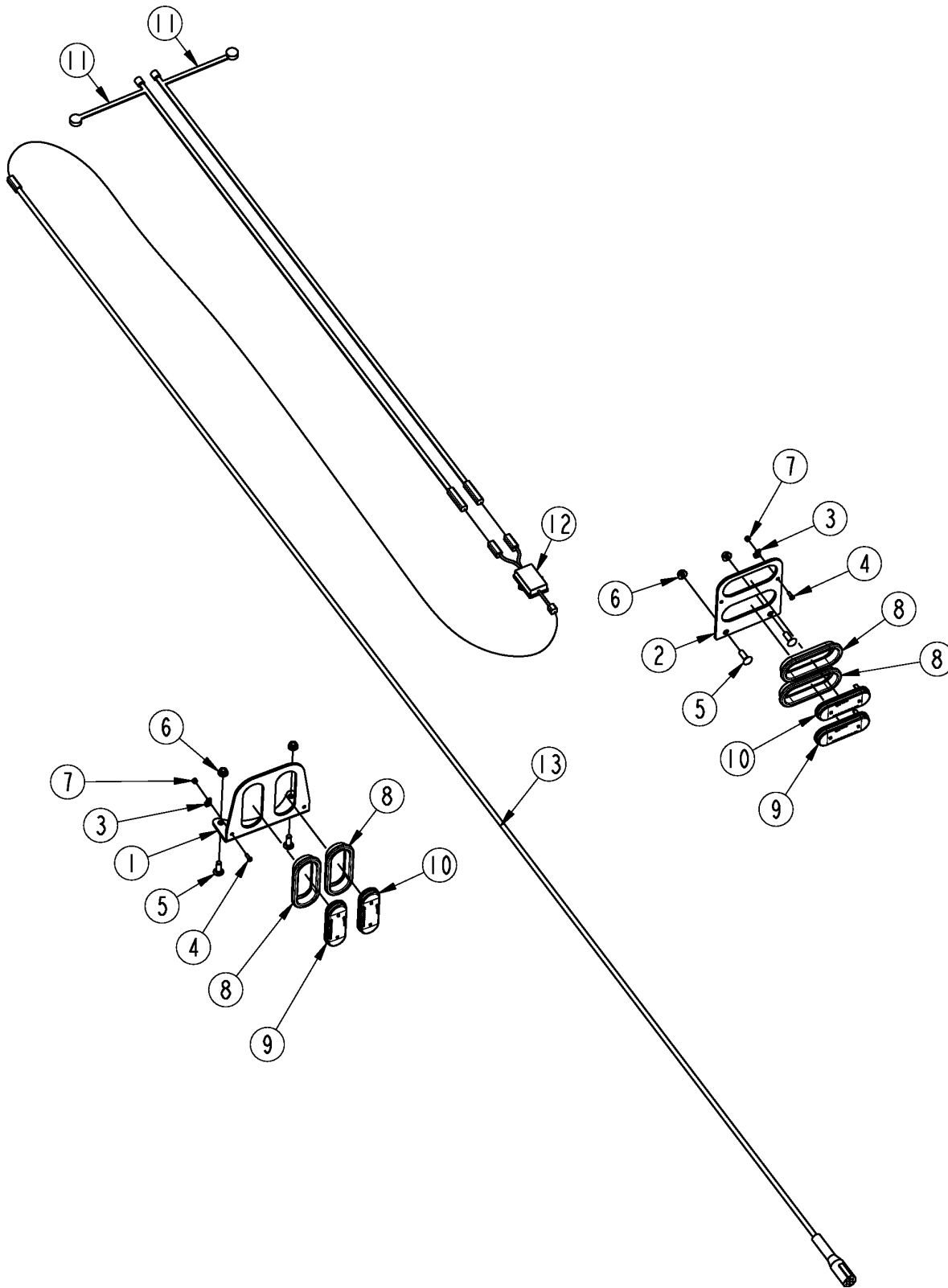
70906

Light Assembly S/N 1456861-**Applies to RC4710, RCL4710, RCLM4710, RCM4710**

Ref	Part No.	Part Description	Comments	Revision
	Dwg 70906 331-743L	Image No. ROTARY CUTTER LIGHT KIT *	S/N 1456861-	
1.	330-966D	LIGHT GUARD		
2.	331-734D	LIGHT MOUNT		
3.	802-015C	RHSNB 3/8-16X1 GR5		
4.	802-214C	RHSNB 1/2-13X1 1/4 GR5		
5.	802-224C	HHCS 1/4-20X1 1/4 GR5		
6.	803-037C	NUT HEX WHIZ 1/2-13 PLT GR5		
7.	803-209C	NUT FLANGE LOCK 3/8-16 PLT		
8.	803-255C	NUT HEX NYLOCK 1/4-20		
9.	804-007C	WASHER FLAT 1/4 SAE PLT		
10.	891-523C	DUAL LED LIGHT RH		
11.	891-531C	ENHANCE MODULE		
12.	891-823C	LIGHT WIRE HARNESS 2'		
13.	891-865C	LEAD WIRE HARNESS 15'		
14.	891-522C	DUAL LED LIGHT LH		

Light Assembly S/N 1456862+

Applies to RC4710, RCL4710, RCLM4710, RCM4710



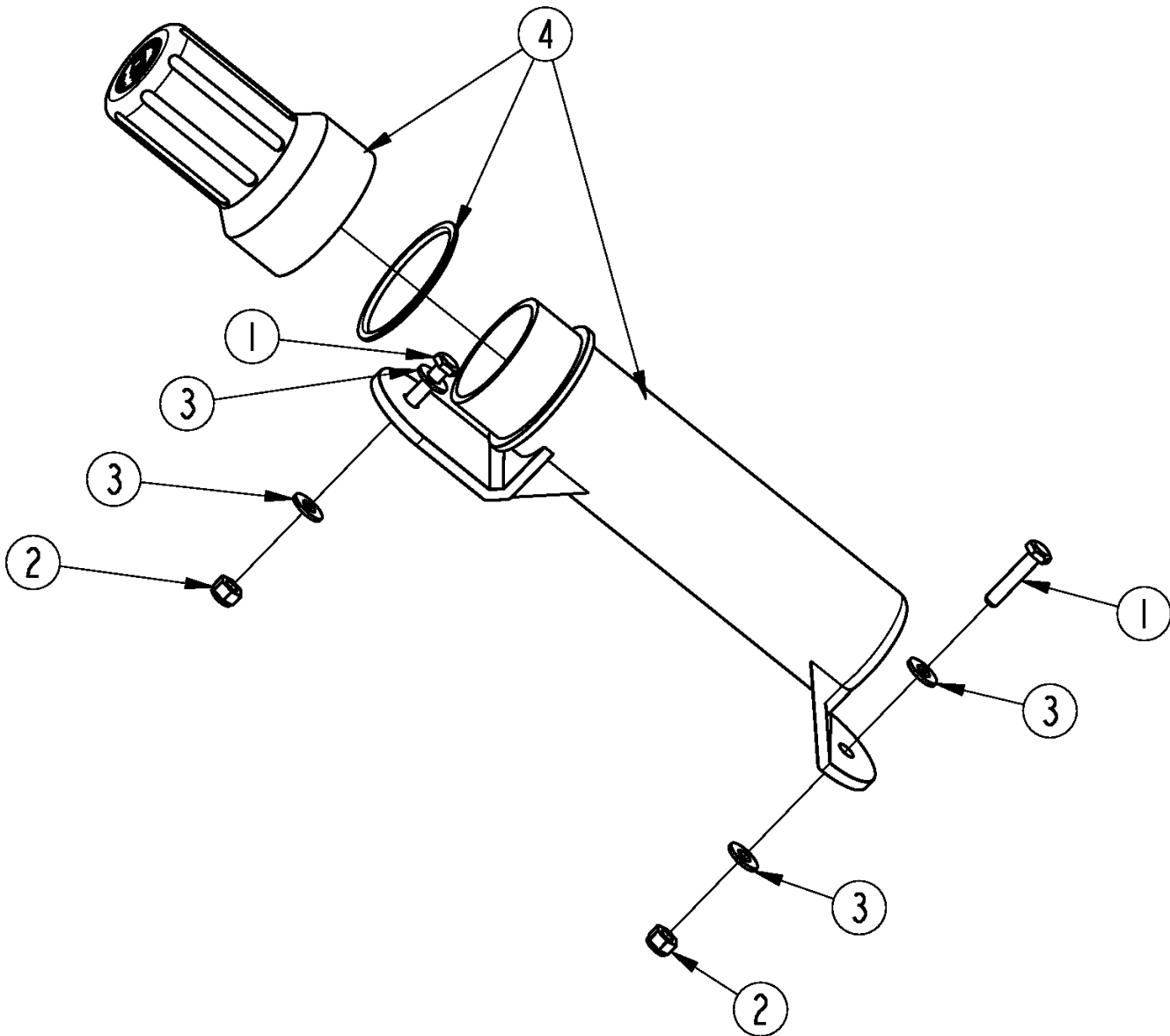
72701

Light Assembly S/N 1456862+**Applies to RC4710, RCL4710, RCLM4710, RCM4710**

Ref	Part No.	Part Description	Comments	Revision
	Dwg 72701	Image No.		
	334-953A	OFFSET ROTARY CUTTER LIGHT KIT	S/N 1456862+	
		*		
1.	334-062D	DUAL LIGHT MOUNT		
2.	334-068D	WEIGHT BOX LIGHT MOUNT		
3.	800-238C	.375 WIRING AND TUBE CLIP		
4.	802-004C	HHCS 1/4-20X3/4 GR5		
5.	802-106C	RHSNB 1/2-13X1 1/2 GR5		
6.	803-037C	NUT HEX WHIZ 1/2-13 PLT GR5		
7.	803-255C	NUT HEX NYLOCK 1/4-20		
8.	843-159C	LIGHT GROMMET 2.5 X 6.75		
9.	843-208C	RED OVAL LED LIGHT		
10.	843-209C	AMBER OVAL LED LIGHT		
11.	843-210C	LIGHT HARNESS, 70"		
12.	843-211C	ENHANCE MODULE		
13.	843-212C	LEAD WIRE HARNESS 15'		

Manual Tube

Applies to RC4710, RCL4710, RCLM4710, RCM4710



39163

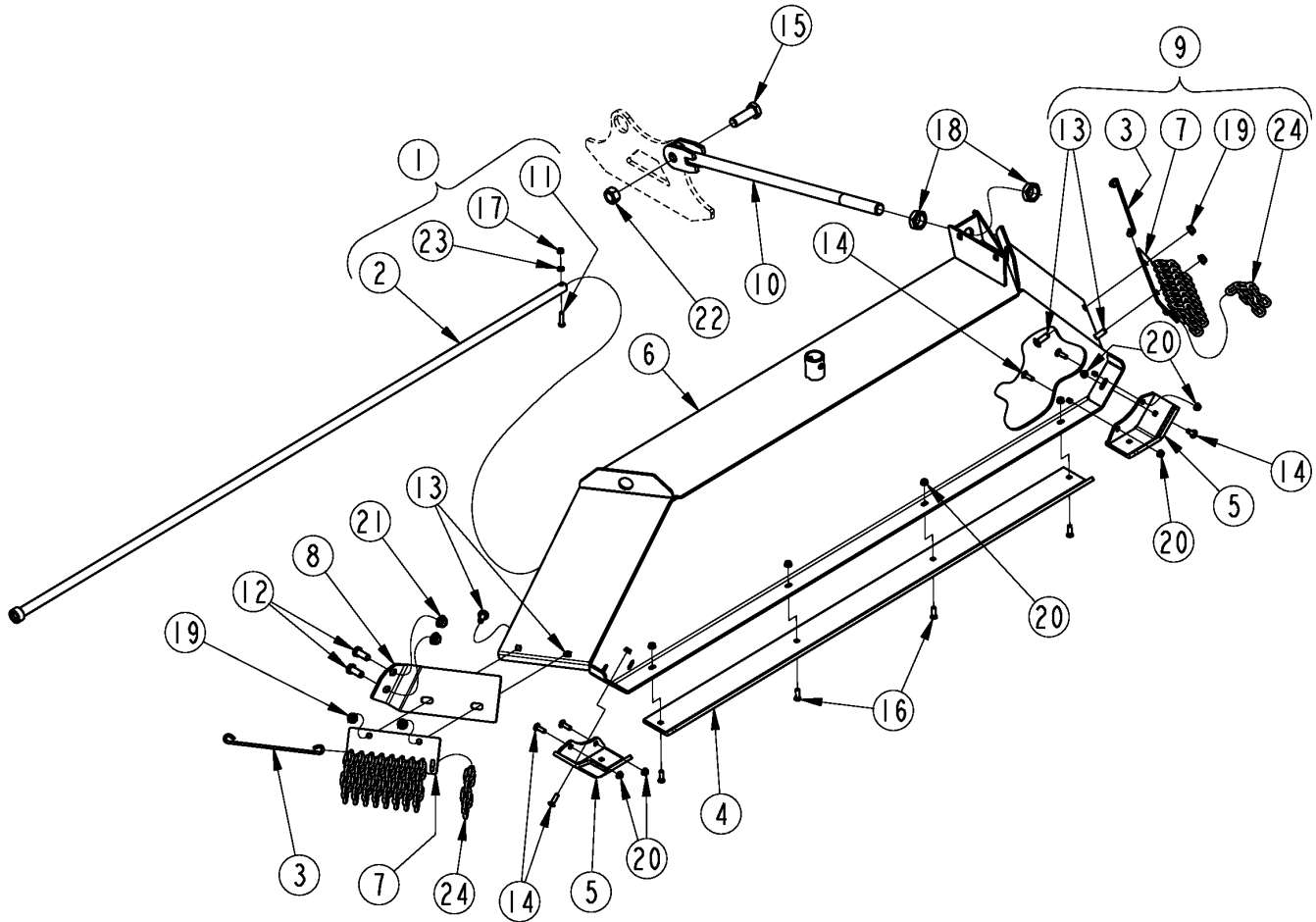
Manual Tube

Applies to RC4710, RCL4710, RCLM4710, RCM4710

Ref	Part No.	Part Description	Comments	Revision
	Dwg 39163 318-920S	Image No. MANUAL STORAGE CONTAINER KIT *		
1.	802-005C	HHCS 1/4-20X1 GR5		
2.	803-255C	NUT HEX NYLOCK 1/4-20		
3.	804-007C	WASHER FLAT 1/4 SAE PLT		
4.	816-481C	MANUAL STORAGE CONTAINER		

Weight Box

Applies to RC4710, RCL4710, RCLM4710, RCM4710



72753

Weight Box**Applies to RC4710, RCL4710, RCLM4710, RCM4710**

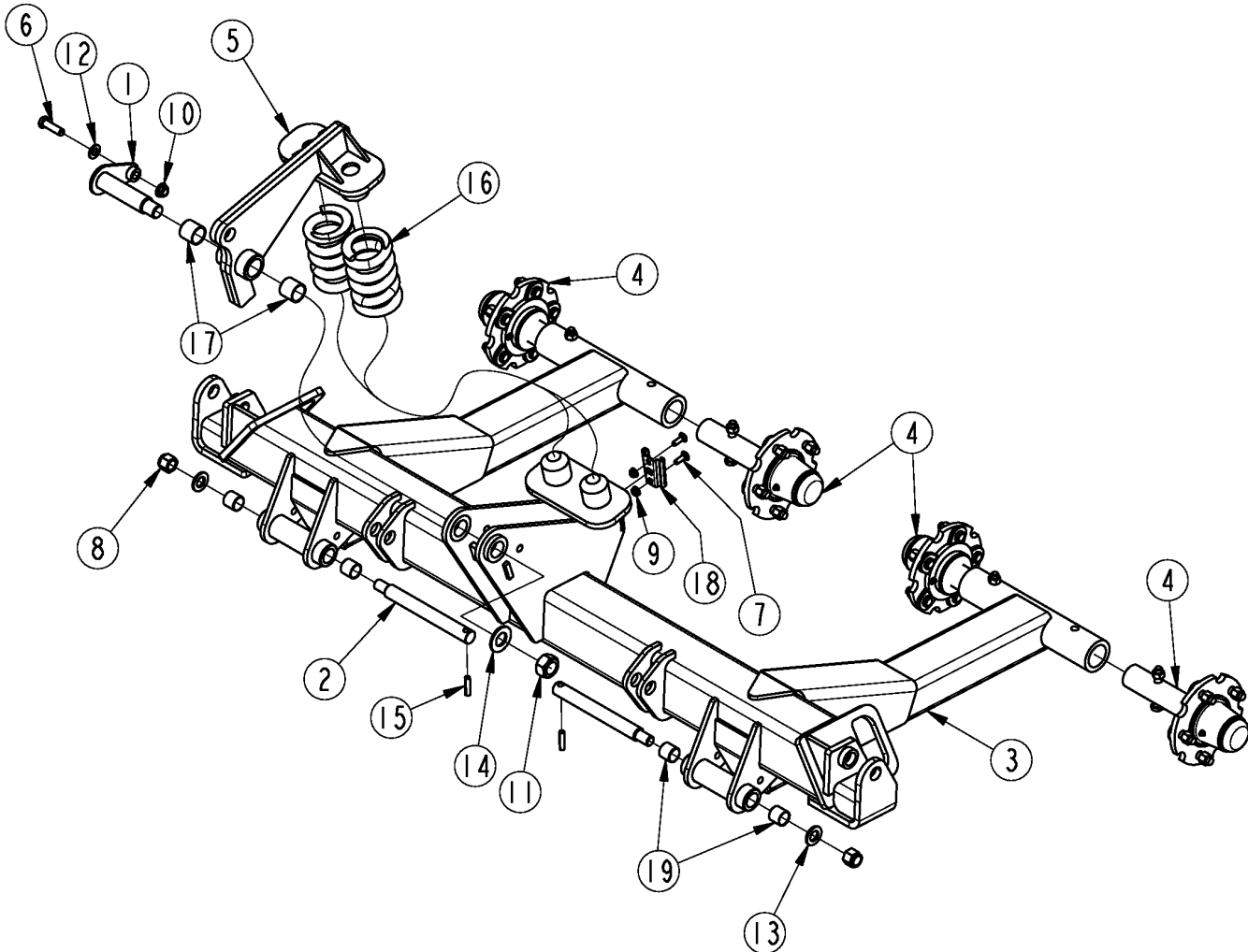
Ref	Part No.	Part Description	Comments	Revision
	Dwg 72753	Image No.	RC(M) model shown in illustration	
1.	318-695L	ASSY. HINGE ROD		
2.	318-696H	WLDMT. HINGE ROD		
3.	326-152D	ROUND ROD .25 X 14		
4.	330-948D	WEIGHT BOX SKID SHOE		
5.	331-120H	HARDENED WING SKID SHOE		
6.	331-373H	WEIGHT BOX	RC(M) models only	
6.	334-749H	WEIGHT BOX, RH	RCL(M) models only	
7.	331-622D	WEIGHT BOX CHAIN GUARD		
8.	331-626D	WEIGHT BOX FRONT LOCK	RC(M) models only	
8.	334-052D	WEIGHT BOX FRONT LOCK, RH	RCL(M) models only	
9.	334-223K	WEIGHT BOX CHAIN GUARD		
10.	334-224H	WEIGHT BOX LOCK		
11.	802-022C	HHCS 3/8-16X1 1/2 GR5		
12.	802-051C	HHCS 5/8-11X1 1/2 GR5		
13.	802-106C	RHSNB 1/2-13X1 1/2 GR5		
14.	802-155C	RHSNB 3/8-16X1 1/4 GR5		
15.	802-368C	HHCS 1-8X3 GR5		
16.	802-466C	PLOW 3/8-16X1 1/4 GR5		
17.	803-014C	NUT HEX 3/8-16 PLT		
18.	803-032C	NUT HEX JAM 1 1/4-7 PLT		
19.	803-037C	NUT HEX WHIZ 1/2-13 PLT GR5		
20.	803-198C	NUT HEX WHIZ 3/8-16 PLT		
21.	803-263C	NUT HEX FLANGE LOCK 5/8-11 PLT		
22.	803-316C	NUT HEX LOCK 1-8 PLT		
23.	804-013C	WASHER LOCK SPRING 3/8 PLT		
24.	891-212C	CHAIN WELD 5/16 GR 43 X 9-LINK		

Axle Center & Wing Single Suspension**Applies to RC4710, RCL4710, RCLM4710, RCM4710**

Ref	Part No.	Part Description	Comments	Revision
	Dwg 72663	Image No.	RC(M) model shown in illustration	
	334-816A	SGL SUSP CNTR & WING AXLES RH	RC(M) models. Spindle & hub assemblies not included.	
	334-817A	SGL SUSP CNTR & WING AXLES LH	RCL(M) models. Spindle & hub assemblies not included.	
		*		
1.	331-709H	PIVOT PIN 4.5" USEABLE		
2.	331-757H	CENTER SPRING ROCKER		
3.	331-778H	SGL SUSP CENTER AXLE		
4.	331-781H	RH WING AXLE	RC(M) models	
4.	331-783H	LH WING AXLE	RCL(M) models	
5.	331-958D	PIVOT PIN 1" SHORT		
6.	331-959D	PIVOT PIN 1" LONG		
7.	334-566S	SPINDLE AND HUB ASSY		
8.	802-082C	HHCS 1/2-13X1 3/4 GR5 FTHD		
9.	802-282C	RHSNB 5/16-18X1 GR5		
10.	803-025C	NUT HEX 3/4-10 PLT NYLOCK		
11.	803-043C	NUT HEX WHIZ 5/16-18 PLT		
12.	803-169C	NUT HEX FLG LOCK 1/2-13 PLT		
13.	803-316C	NUT HEX LOCK 1-8 PLT		
14.	804-016C	WASHER FLAT 1/2 SAE PLT		
15.	804-025C	WASHER FLAT 3/4 SAE PLT		
16.	804-029C	WASHER FLAT 1 SAE		
17.	805-622C	PIN GROOVE 3/8X1 1/2 TYPE A		
18.	807-271C	SPRING COMP 3.20OD .63W 5.5L		
19.	817-875C	SLEEVE BEARING 1 I.D.		
20.	827-158C	SLEEVE BEARING 1.25ID X 1.25		
21.	890-401C	SMV MOUNTING SOCKET		

Axle Center HD Single Suspension

Applies to RC4710, RCL4710, RCLM4710, RCM4710



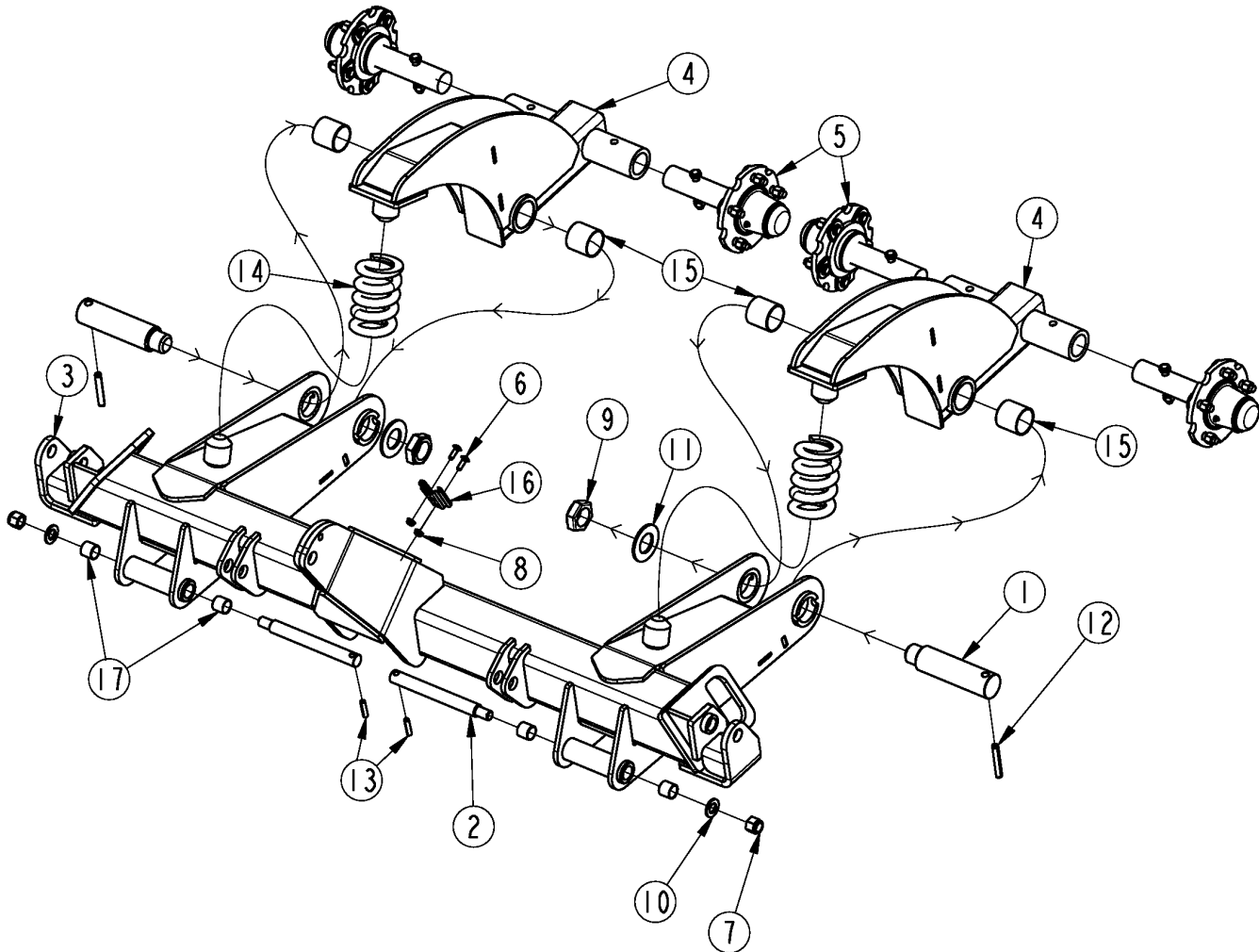
72345

Axle Center HD Single Suspension**Applies to RC4710, RCL4710, RCLM4710, RCM4710**

Ref	Part No.	Part Description	Comments	Revision
	Dwg 72345 334-512A	Image No. HD SINGLE SUSP CNTR AXLE, STD *		
1.	331-709H	PIVOT PIN 4.5" USEABLE		
2.	331-959D	PIVOT PIN 1" LONG		
3.	334-511H	HD SINGLE SUSP CENTER AXLE		
4.	334-566S	SPINDLE AND HUB ASSY		
5.	334-729H	CENTER SPRING ROCKER		
6.	802-082C	HHCS 1/2-13X1 3/4 GR5 FTHD		
7.	802-282C	RHSNB 5/16-18X1 GR5		
8.	803-025C	NUT HEX 3/4-10 PLT NYLOCK		
9.	803-043C	NUT HEX WHIZ 5/16-18 PLT		
10.	803-169C	NUT HEX FLG LOCK 1/2-13 PLT		
11.	803-316C	NUT HEX LOCK 1-8 PLT		
12.	804-016C	WASHER FLAT 1/2 SAE PLT		
13.	804-025C	WASHER FLAT 3/4 SAE PLT		
14.	804-029C	WASHER FLAT 1 SAE		
15.	805-622C	PIN GROOVE 3/8X1 1/2 TYPE A		
16.	807-390C	SPRING COMP 3.625OD .718W 5.5L		
17.	827-158C	SLEEVE BEARING 1.25ID X 1.25		
18.	890-401C	SMV MOUNTING SOCKET		
19.	817-875C	SLEEVE BEARING 1 I.D.		

Axle Center Independent Suspension

Applies to RC4710, RCL4710, RCLM4710, RCM4710



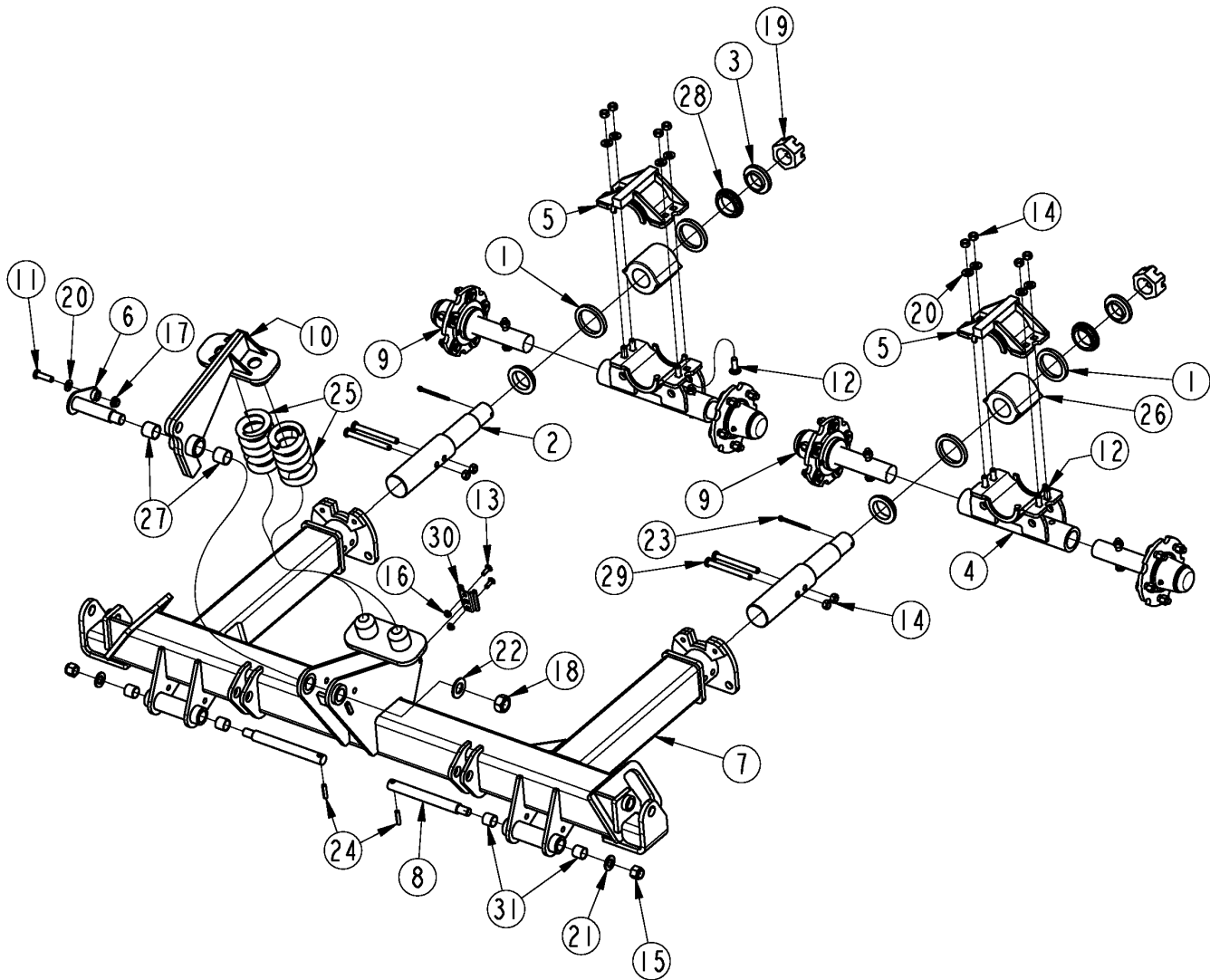
72354

Axle Center Independent Suspension**Applies to RC4710, RCL4710, RCLM4710, RCM4710**

Ref	Part No.	Part Description	Comments	Revision
	Dwg 72354 334-454A	Image No. IND SUSP CENTER AXLE ASY, STD *		
1.	331-893D	PIVOT PIN 6.5" USEABLE		
2.	331-959D	PIVOT PIN 1" LONG		
3.	334-484H	IND SUSP CENTER AXLE, STD		
4.	334-486H	AXLE ROCKER		
5.	334-566S	SPINDLE AND HUB ASSY		
6.	802-282C	RHSNB 5/16-18X1 GR5		
7.	803-025C	NUT HEX 3/4-10 PLT NYLOCK		
8.	803-043C	NUT HEX WHIZ 5/16-18 PLT		
9.	803-111C	NUT LT JAM 1 1/2-12 NYLN INSRT		
10.	804-025C	WASHER FLAT 3/4 SAE PLT		
11.	804-071C	WASHER FLAT 1 1/2 SAE PLT		
12.	805-499C	PIN ROLL 1/2 X 3 SPIRAL		
13.	805-622C	PIN GROOVE 3/8X1 1/2 TYPE A		
14.	807-390C	SPRING COMP 3.625OD .718W 5.5L		
15.	827-185C	SLEEVE BEARING 2.0ID X 2.0		
16.	890-401C	SMV MOUNTING SOCKET		
17.	817-875C	SLEEVE BEARING 1 I.D.		

Axle Center Parallel Pivot

Applies to RC4710, RCL4710, RCLM4710, RCM4710



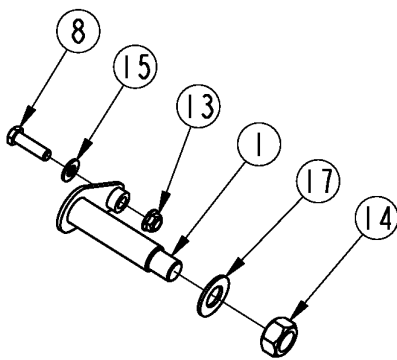
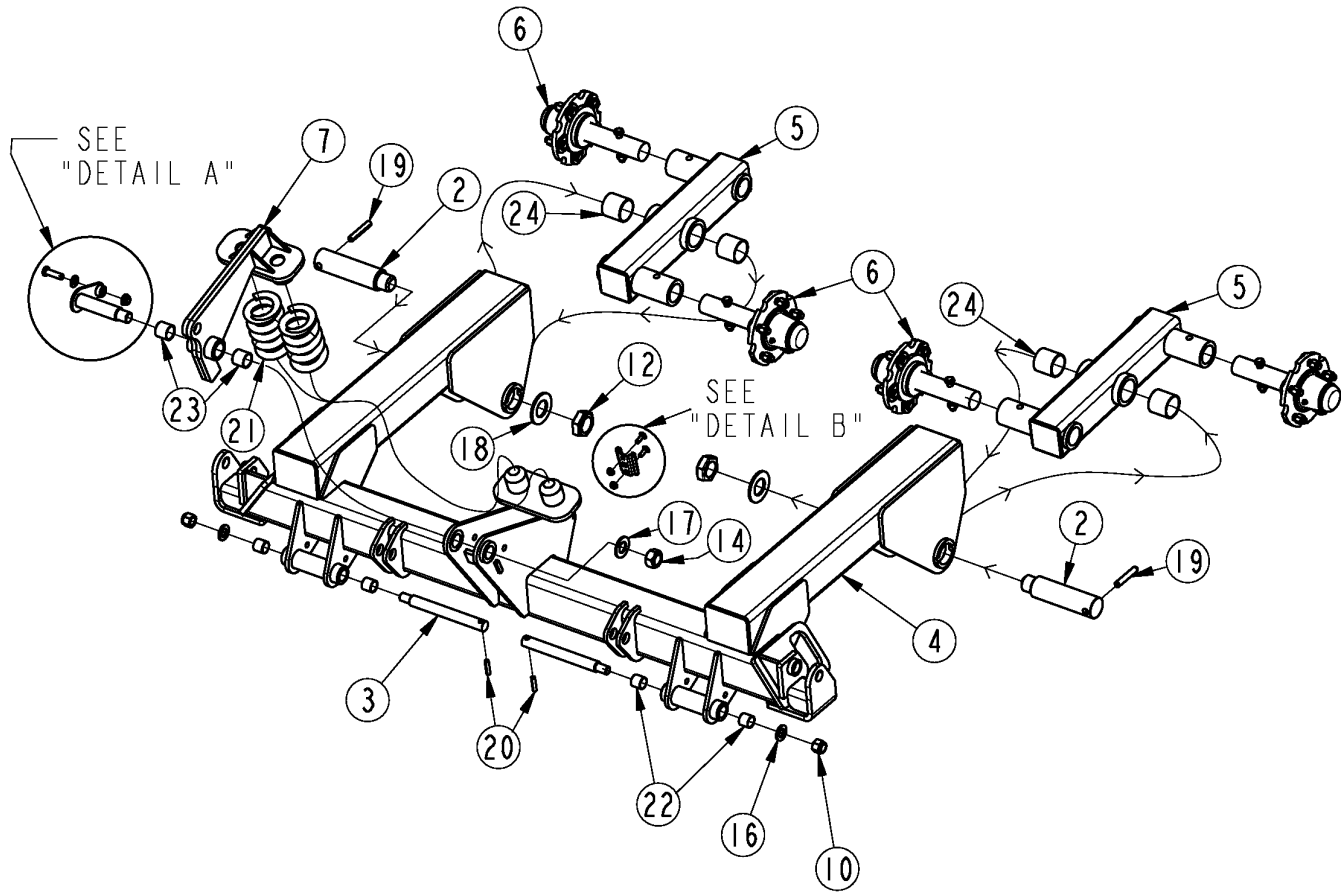
72363

Axle Center Parallel Pivot**Applies to RC4710, RCL4710, RCLM4710, RCM4710**

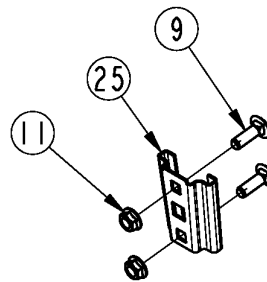
Ref	Part No.	Part Description	Comments	Revision
	Dwg 72363 331-753A	Image No. PARALLEL PIV CENTER AXLE, STD *		
1.	330-787D	WEAR RING		
2.	331-018D	PIVOT SPINDLE		
3.	331-022D	PARALLEL PIVOT STEP BUSHING		
4.	331-184H	PARALLEL PIVOT SPINDLE REC		
5.	331-187H	PARALLEL PIVOT BRACKET		
6.	331-709H	PIVOT PIN 4.5" USEABLE		
7.	331-755H	CENTER AXLE, STD PAR PIV		
8.	331-959D	PIVOT PIN 1" LONG		
9.	334-566S	SPINDLE AND HUB ASSY		
10.	334-729H	CENTER SPRING ROCKER		
11.	802-082C	HHCS 1/2-13X1 3/4 GR5 FTHD		
12.	802-106C	RHSNB 1/2-13X1 1/2 GR5		
13.	802-282C	RHSNB 5/16-18X1 GR5		
14.	803-019C	NUT LOCK 1/2-13 PLT		
15.	803-025C	NUT HEX 3/4-10 PLT NYLOCK		
16.	803-043C	NUT HEX WHIZ 5/16-18 PLT		
17.	803-169C	NUT HEX FLG LOCK 1/2-13 PLT		
18.	803-316C	NUT HEX LOCK 1-8 PLT		
19.	803-339C	NUT HEX SLOTTED 1 3/4-5 REGULR		
20.	804-016C	WASHER FLAT 1/2 SAE PLT		
21.	804-025C	WASHER FLAT 3/4 SAE PLT		
22.	804-029C	WASHER FLAT 1 SAE		
23.	805-115C	PIN COTTER 1/4 X 3 PLT		
24.	805-622C	PIN GROOVE 3/8X1 1/2 TYPE A		
25.	807-390C	SPRING COMP 3.625OD .718W 5.5L		
26.	816-791C	PARALLEL PIVOT RUBBER ELEMENT		
27.	827-158C	SLEEVE BEARING 1.25ID X 1.25		
28.	837-001C	PLASTIC COLLAR		
29.	842-492C	HHCS 1/2-13X4 3/4 GR8		
30.	890-401C	SMV MOUNTING SOCKET		
31.	817-875C	SLEEVE BEARING 1 I.D.		

Axle Center Walking Tandem

Applies to RC4710, RCL4710, RCLM4710, RCM4710



DETAIL A



DETAIL B

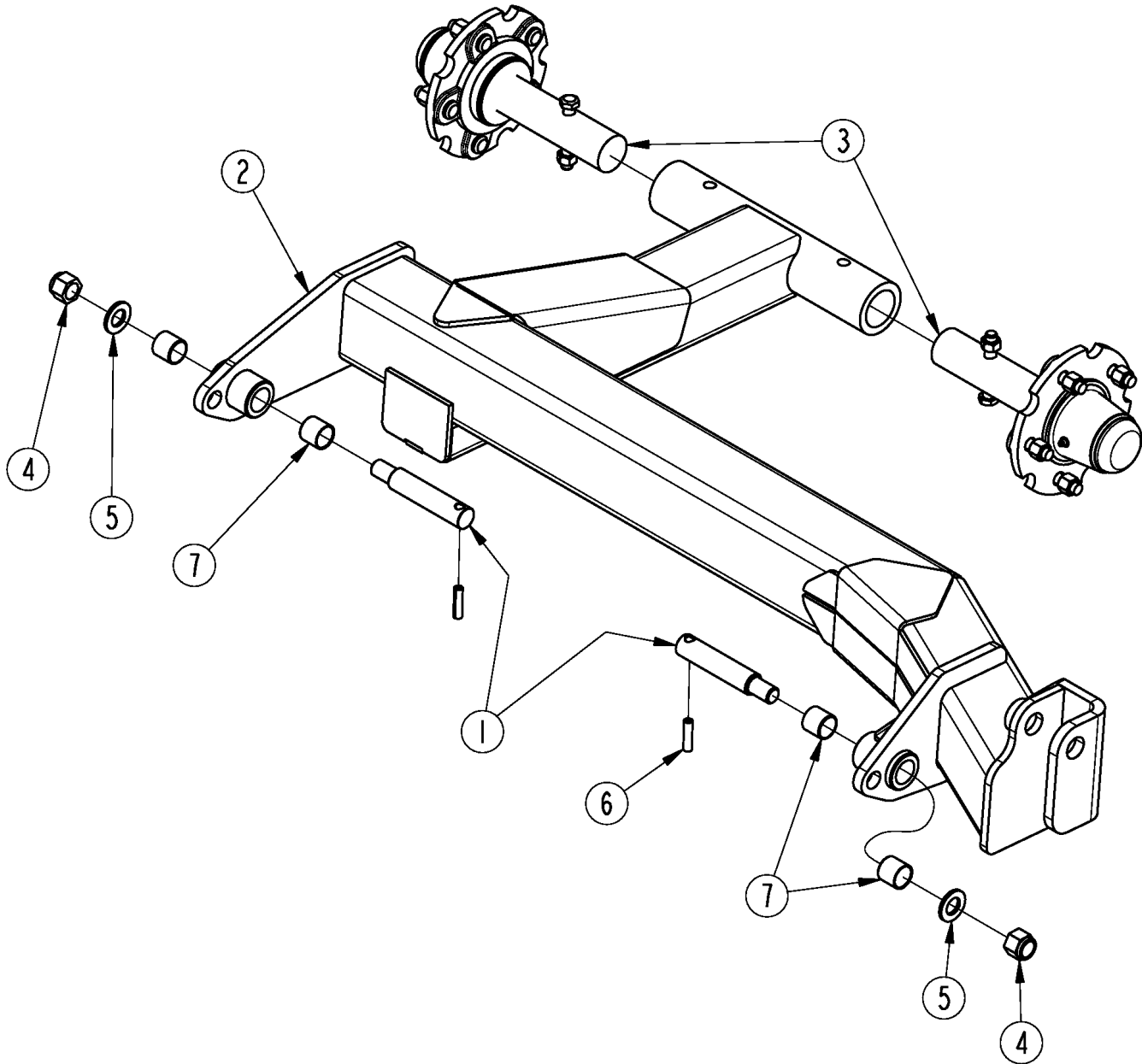
72357

Axle Center Walking Tandem**Applies to RC4710, RCL4710, RCLM4710, RCM4710**

Ref	Part No.	Part Description	Comments	Revision
	Dwg 72357 334-489A	Image No. WALKING TANDEM CNTR AXLE, STD *		
1.	331-709H	PIVOT PIN 4.5" USEABLE		
2.	331-893D	PIVOT PIN 6.5" USEABLE		
3.	331-959D	PIVOT PIN 1" LONG		
4.	334-491H	CENTER AXLE, STD WALK TANDEM		
5.	334-495H	WALKING TANDEM ARM		
6.	334-566S	SPINDLE AND HUB ASSY		
7.	334-729H	CENTER SPRING ROCKER		
8.	802-082C	HHCS 1/2-13X1 3/4 GR5 FTHD		
9.	802-282C	RHSNB 5/16-18X1 GR5		
10.	803-025C	NUT HEX 3/4-10 PLT NYLOCK		
11.	803-043C	NUT HEX WHIZ 5/16-18 PLT		
12.	803-111C	NUT LT JAM 1 1/2-12 NYLN INSRT		
13.	803-169C	NUT HEX FLG LOCK 1/2-13 PLT		
14.	803-316C	NUT HEX LOCK 1-8 PLT		
15.	804-016C	WASHER FLAT 1/2 SAE PLT		
16.	804-025C	WASHER FLAT 3/4 SAE PLT		
17.	804-029C	WASHER FLAT 1 SAE		
18.	804-071C	WASHER FLAT 1 1/2 SAE PLT		
19.	805-612C	PIN GROOVE 1/2X2 1/2 TYPE A	S/N 1456415+	
19.	805-611C	PIN ROLL 1/2 X 3 SPIRAL HD	S/N 1456414-	
20.	805-622C	PIN GROOVE 3/8X1 1/2 TYPE A		
21.	807-390C	SPRING COMP 3.625OD .718W 5.5L		
22.	817-875C	SLEEVE BEARING 1 I.D.		
23.	827-158C	SLEEVE BEARING 1.25ID X 1.25		
24.	827-185C	SLEEVE BEARING 2.0ID X 2.0		
25.	890-401C	SMV MOUNTING SOCKET		

Axle Wing HD Single Suspension

Applies to RC4710, RCL4710, RCLM4710, RCM4710



NOTE: RC(M) WING AXLE SHOWN

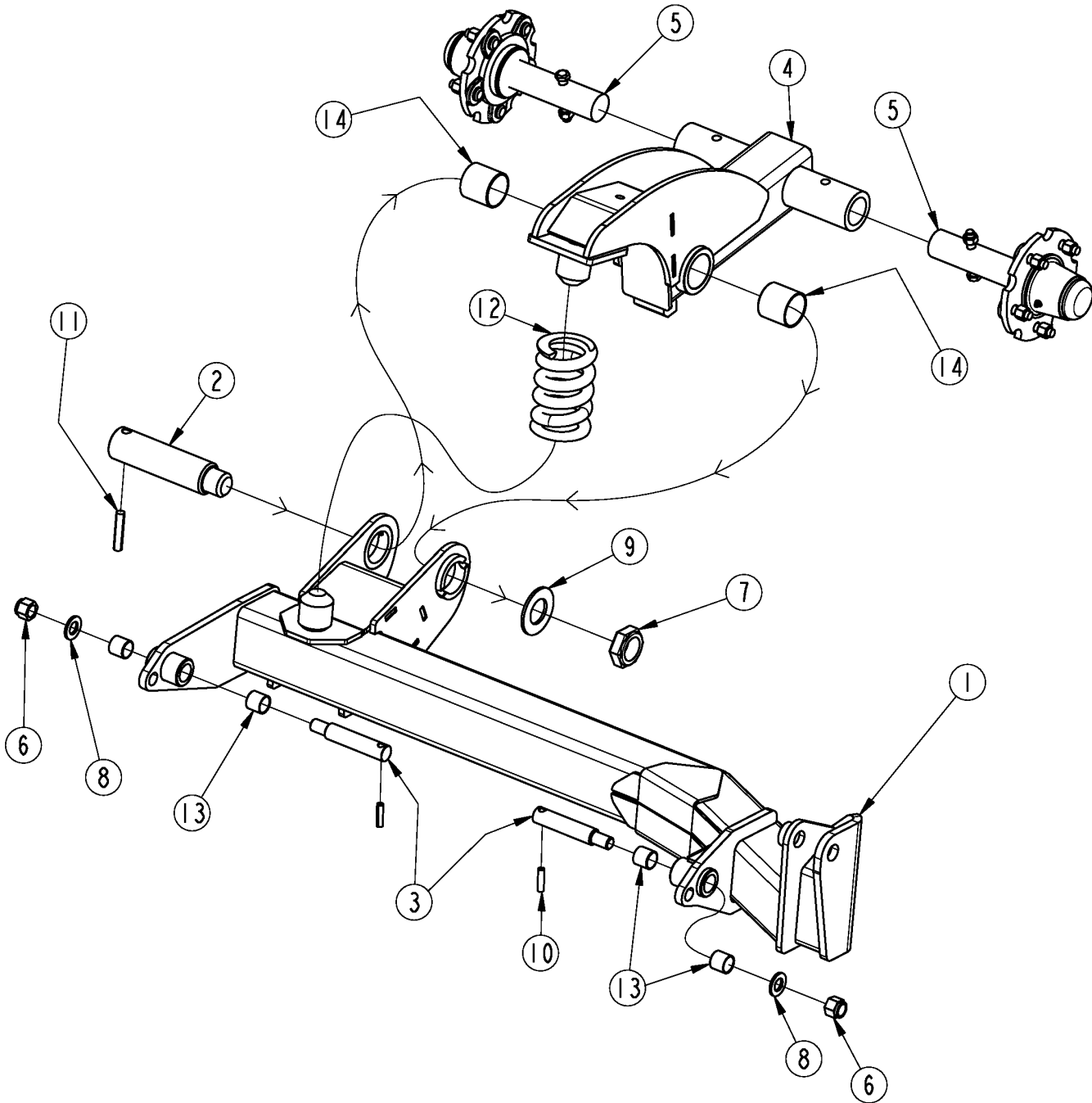
72670

Axle Wing HD Single Suspension**Applies to RC4710, RCL4710, RCLM4710, RCM4710**

Ref	Part No.	Part Description	Comments	Revision
	Dwg 72670	Image No.	RC(M) model shown in illustration	
	334-818A	HD RIGID WING AXLE, RH	RC(M) models. Spindle & hub assemblies not included.	
	334-819A	HD RIGID WING AXLE, LH	RCL(M) models. Spindle & hub assemblies not included.	
		*		
1.	331-958D	PIVOT PIN 1" SHORT		
2.	334-516H	RH HD SINGLE SUSP AXLE	RC(M) models	
2.	334-517H	LH HD SINGLE SUSP AXLE	RCL(M) models	
3.	334-566S	SPINDLE AND HUB ASSY		
4.	803-025C	NUT HEX 3/4-10 PLT NYLOCK		
5.	804-025C	WASHER FLAT 3/4 SAE PLT		
6.	805-622C	PIN GROOVE 3/8X1 1/2 TYPE A		
7.	817-875C	SLEEVE BEARING 1 I.D.		

Axle Wing Independent Suspension

Applies to RC4710, RCL4710, RCLM4710, RCM4710



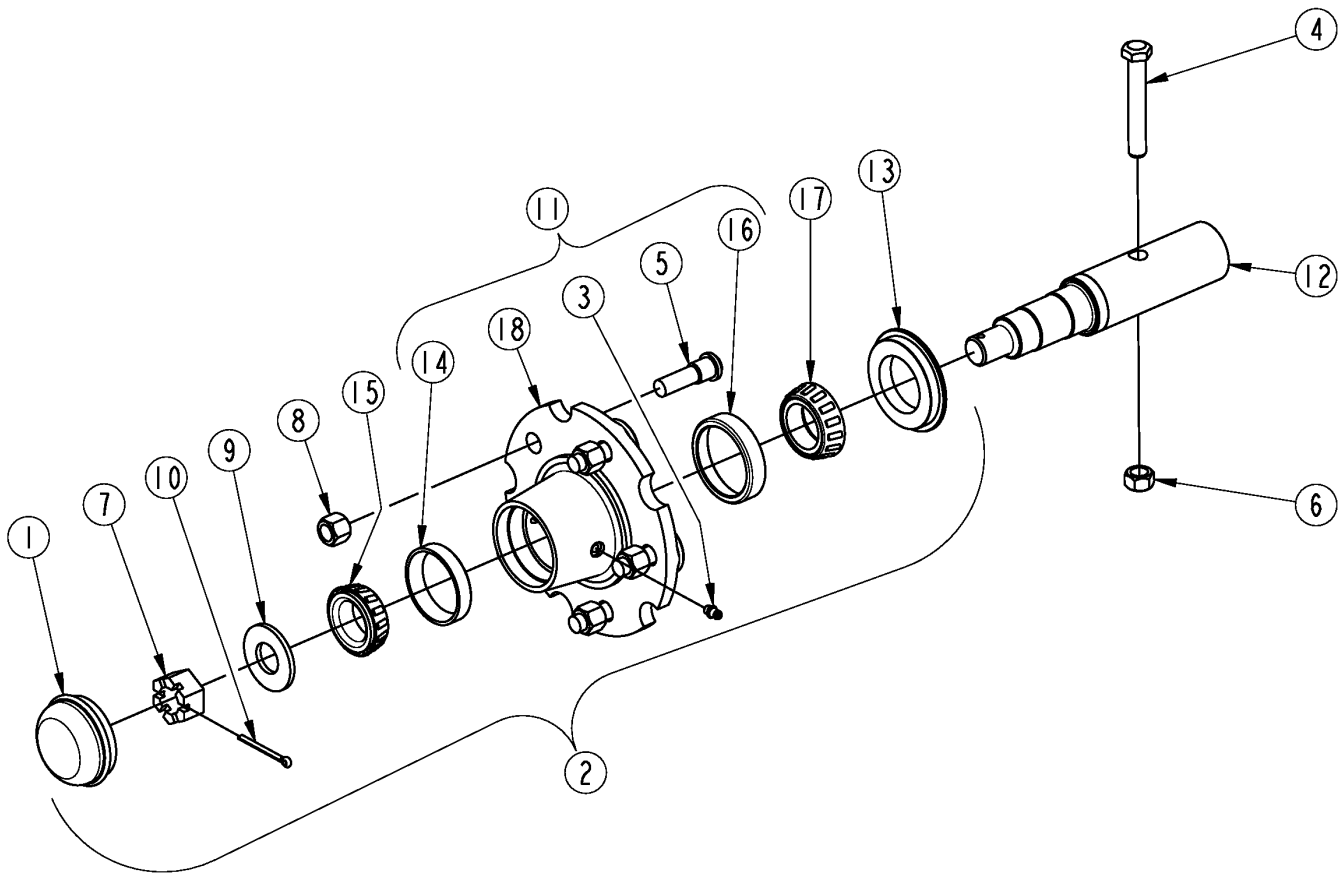
NOTE: RC(M) WING AXLE SHOWN

Axle Wing Independent Suspension**Applies to RC4710, RCL4710, RCLM4710, RCM4710**

Ref	Part No.	Part Description	Comments	Revision
	Dwg 72671	Image No.	RC(M) model shown in illustration	
	334-820A	IND SUSP WING AXLES, RH STD	RC(M) models. Spindle & hub assemblies not included.	
	334-821A	IND SUSP WING AXLES, LH STD	RCL(M) models. Spindle & hub assemblies not included.	
		*		
1.	331-707H	RH STD WING AXLE	RC(M) models	
1.	331-725H	LH STD WING AXLE	RCL(M) models	
2.	331-893D	PIVOT PIN 6.5" USEABLE		
3.	331-958D	PIVOT PIN 1" SHORT		
4.	334-501H	WING AXLE ROCKER		
5.	334-566S	SPINDLE AND HUB ASSY		
6.	803-025C	NUT HEX 3/4-10 PLT NYLOCK		
7.	803-111C	NUT LT JAM 1 1/2-12 NYLN INSRT		
8.	804-025C	WASHER FLAT 3/4 SAE PLT		
9.	804-071C	WASHER FLAT 1 1/2 SAE PLT		
10.	805-622C	PIN GROOVE 3/8X1 1/2 TYPE A		
11.	805-612C	PIN GROOVE 1/2X2 1/2 TYPE A	S/N 1456415+	
11.	805-611C	PIN ROLL 1/2 X 3 SPIRAL HD	S/N 1456414-	
12.	807-390C	SPRING COMP 3.625OD .718W 5.5L		
13.	817-875C	SLEEVE BEARING 1 I.D.		
14.	827-185C	SLEEVE BEARING 2.0ID X 2.0		

Spindle & Hub Assembly (334-566S)

Applies to RC4710, RCL4710, RCLM4710, RCM4710



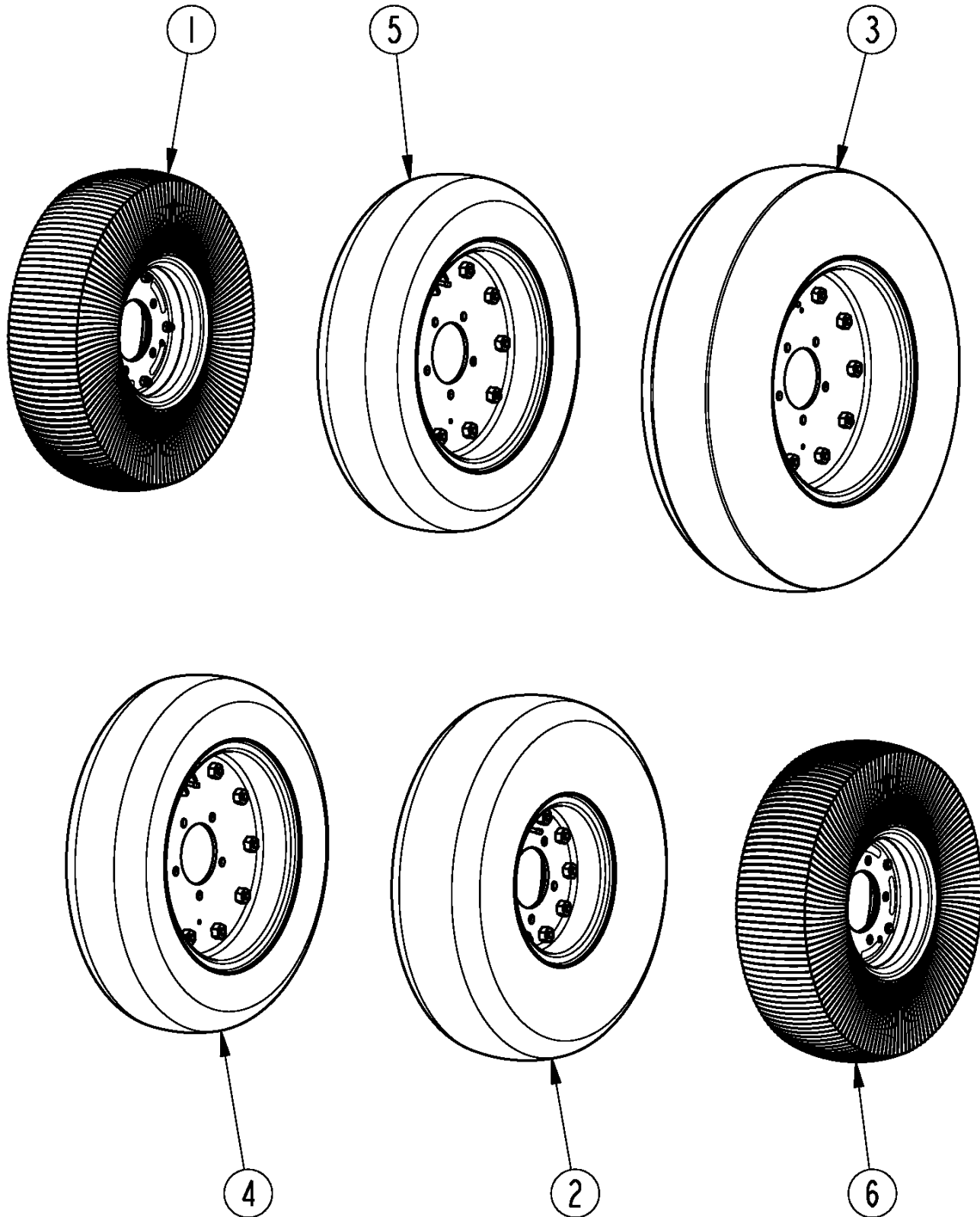
70721

Spindle & Hub Assembly (334-566S)**Applies to RC4710, RCL4710, RCLM4710, RCM4710**

Ref	Part No.	Part Description	Comments	Revision
	Dwg 70721 334-566S	Image No. SPINDLE AND HUB ASSY *		
1.	200-001D	HUB GREASE CAP		
2.	334-565V	HUB 5 BOLT COMPLETE		
3.	800-080C	GREASE ZERK 1/4-28 THD FORMING		
4.	802-099C	HHCS 1/2-13X3 1/4 GR5		
5.	802-779C	HUB STUD 1/2-20X1.88 GR5		
6.	803-019C	NUT LOCK 1/2-13 PLT		
7.	803-029C	NUT HEX SLOTTED 7/8-14 PLT		
8.	803-310C	NUT HEX 1/2-20 X 5/8 HIGH		
9.	804-055C	WASHER SPINDLE - 7/8		
10.	805-246C	PIN COTTER 5/32 X 1 3/4 LG		
11.	815-243C	HUB 5-BOLT W/CUPS/STUDS		
12.	815-491C	SINGLE AXLE SPINDLE, WING		
13.	816-835C	HD PURGEABLE SEAL 1.75X2.71		
14.	822-020C	BRG CUP LM-67010		
15.	822-021C	BRG CONE 1.25ID LM-67048		
16.	822-033C	BRG CUP LM-48510		
17.	822-034C	BRG CONE LM-48548		
18.	815-242C	HUB 5-BOLT CASTING		

Tire Options

Applies to RC4710, RCL4710, RCLM4710, RCM4710



70909

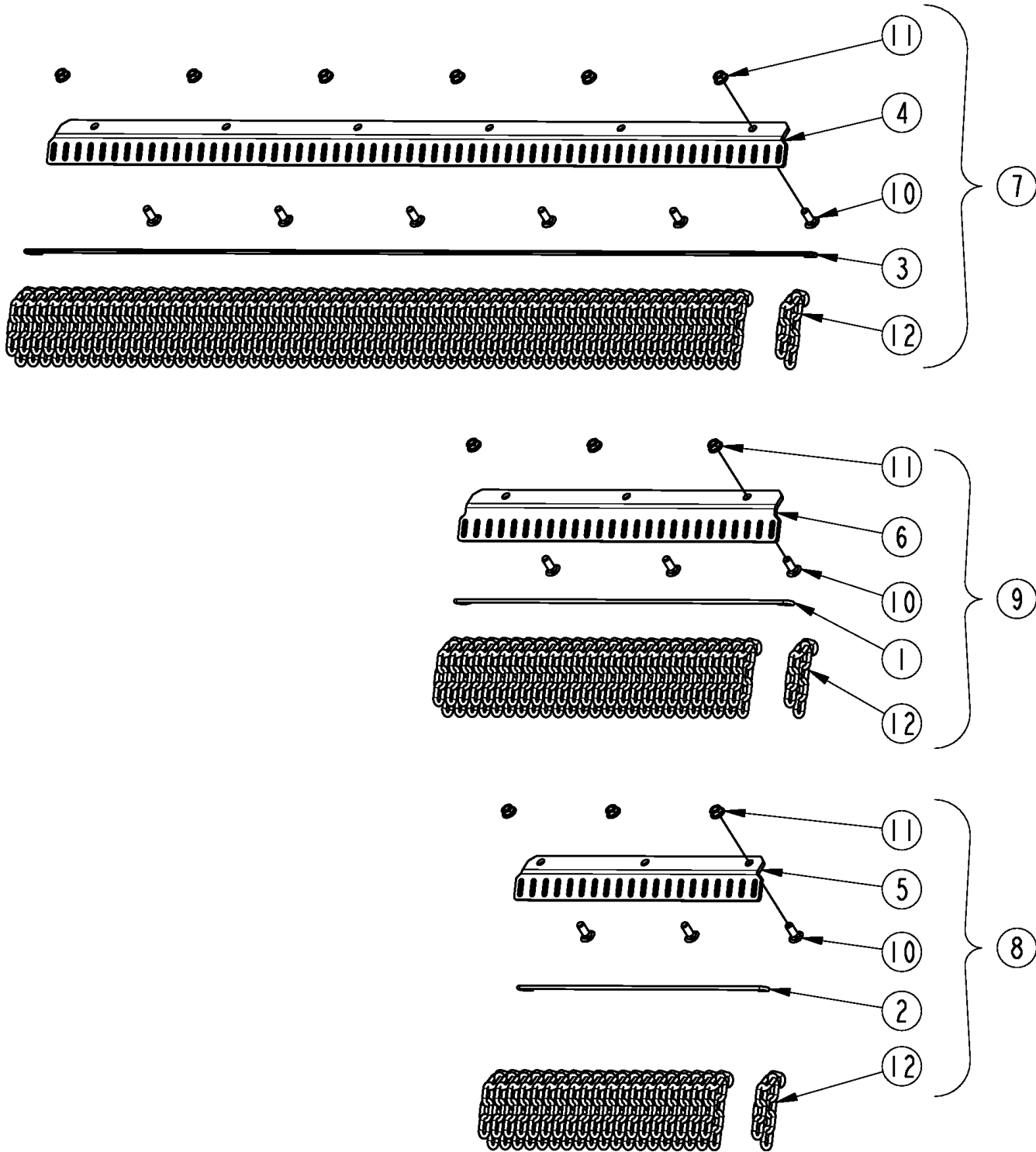
Tire Options

Applies to RC4710, RCL4710, RCLM4710, RCM4710

Ref	Part No.	Part Description	Comments	Revision
	Dwg 70632	Image No.		
1.	814-265C	TIRE & WHL LAM. 6X9X21(5-BOLT)		
2.	814-288C	AC TIRE FF 24X7.7 2PC 5-BOLT		
3.	814-449C	TIRE, AC 29" 16 PLY 5 BOLT		
4.	814-478C	NEW TIRE FF 25.5X8-14 20PLY		
5.	814-480C	NEW TIRE 25.5X8-14 20PLY		
6.	814-673C	TIRE & WHL LAM 6X26 (5-BOLT)		

Guards Chain Double Row Front

Applies to RC4710, RCL4710, RCLM4710, RCM4710



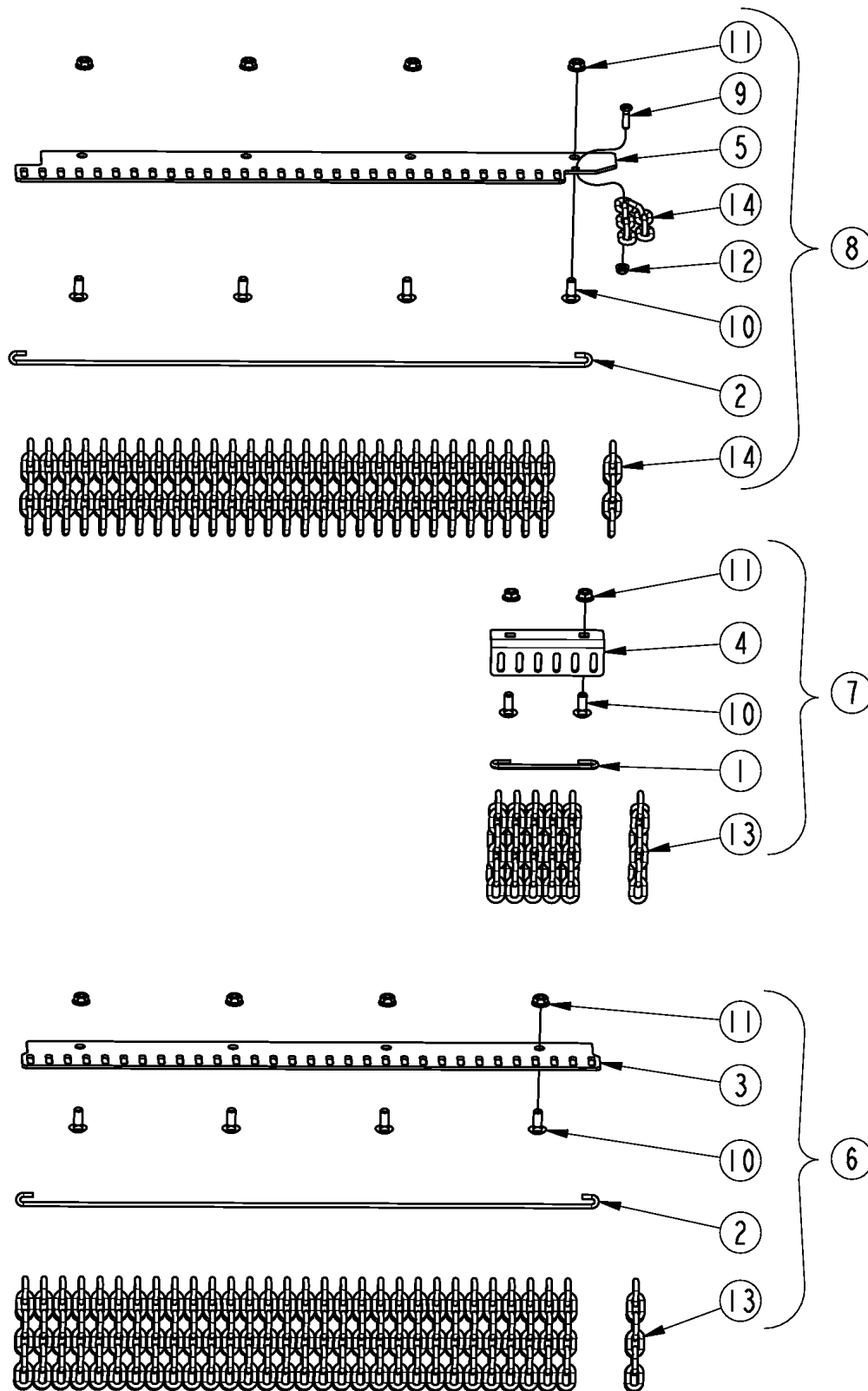
70912

Guards Chain Double Row Front**Applies to RC4710, RCL4710, RCLM4710, RCM4710**

Ref	Part No.	Part Description	Comments	Revision
	Dwg 70912	Image No.		
	334-840A	DOUBLE CHAIN GUARDS, RH OFF	RC(M) models. Includes complete front and rear double chain guard assemblies.	
	334-842A	DOUBLE CHAIN GUARDS, LH OFF	RC(M)L models. Includes complete front and rear double chain guard assemblies.	
1.	318-143D	ROUND ROD 1/4 X 34		
2.	318-337D	ROUND ROD 1/4 X 25		
3.	318-477D	ROUND ROD .25 X 74.50		
4.	331-234D	CHAIN GUARD, FNT WING		
5.	331-235D	CHAIN GUARD, FNT CTR OUTSIDE		
6.	331-236D	CHAIN GUARD, FNT CTR		
7.	331-736K	CHAIN GUARD, DBL FNT WING	All models	
8.	331-737K	CHAIN GUARD, DBL FNT CTR OUTER	All models	
9.	331-738K	CHAIN GUARD, DBL FNT CTR	All models	
10.	802-214C	RHSNB 1/2-13X1 1/4 GR5		
11.	803-037C	NUT HEX WHIZ 1/2-13 PLT GR5		
12.	891-212C	CHAIN WELD 5/16 GR 43 X 9-LINK		

Guards Chain Double Row Rear

Applies to RC4710, RCL4710, RCLM4710, RCM4710



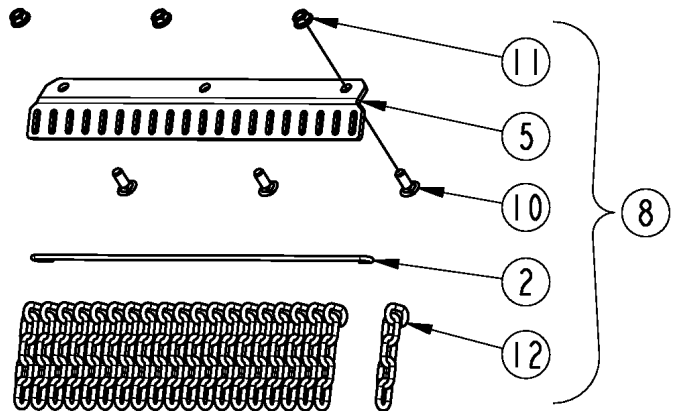
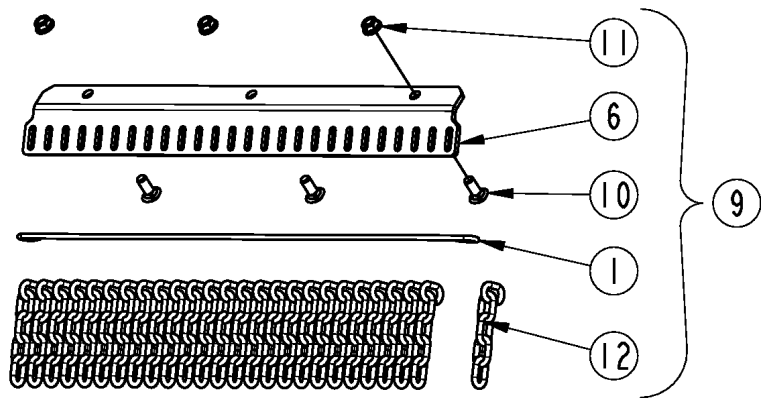
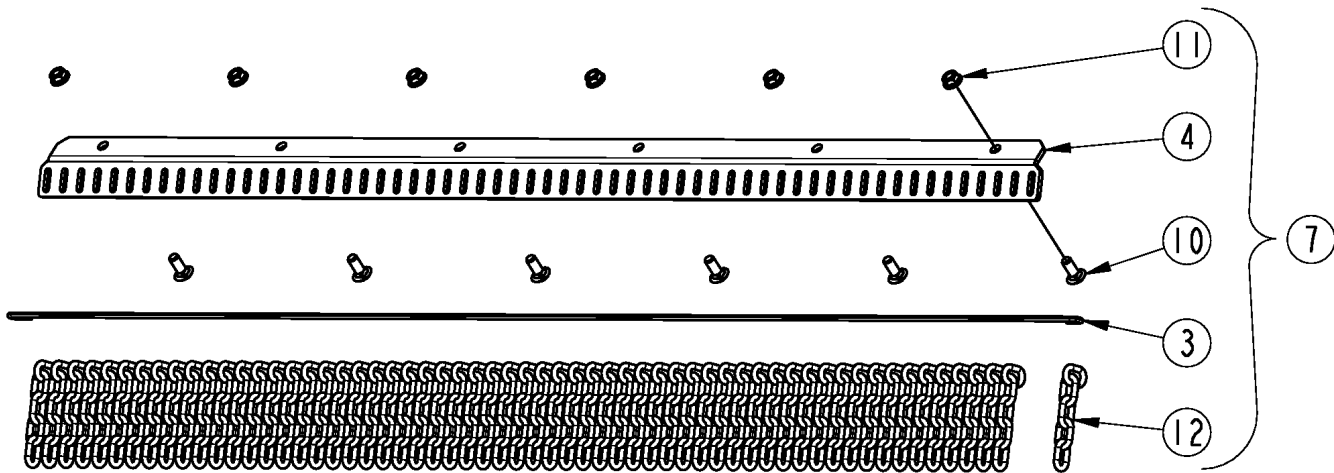
70913

Guards Chain Double Row Rear**Applies to RC4710, RCL4710, RCLM4710, RCM4710**

Ref	Part No.	Part Description	Comments	Revision
	Dwg 70913	Image No.		
	334-840A	DOUBLE CHAIN GUARDS, RH OFF	RC(M) models. Includes complete front and rear double chain guard assemblies.	
	334-842A	DOUBLE CHAIN GUARDS, LH OFF	RC(M)L models. Includes complete front and rear double chain guard assemblies.	
1.	318-641D	ROUND ROD .25 X 9		
2.	326-535D	ROUND ROD 1/4 X 37 3/4		
3.	331-237D	CHAIN GUARD, REAR CTR		
4.	331-238D	CHAIN GUARD, REAR CTR OUTER		
5.	331-239D	CHAIN GUARD, REAR WING		
6.	331-739K	CHAIN GUARD, DBL REAR CTR	All models	
7.	331-740K	CHAIN GUARD, DBL REAR CTR OUT	All models	
8.	331-741K	CHAIN GUARD, DBL REAR RH WING	RC(M) models	
8.	331-742K	CHAIN GUARD, DBL REAR LH WING	RC(M)L models	
9.	802-079C	HHCS 3/8-16X1 1/4 GR5		
10.	802-214C	RHSNB 1/2-13X1 1/4 GR5		
11.	803-037C	NUT HEX WHIZ 1/2-13 PLT GR5		
12.	803-209C	NUT FLANGE LOCK 3/8-16 PLT		
13.	891-208C	CHAIN WELD 5/16 GR 43X11-LINK		
14.	891-212C	CHAIN WELD 5/16 GR 43 X 9-LINK		

Guards Chain Single Row Front

Applies to RC4710, RCL4710, RCLM4710, RCM4710



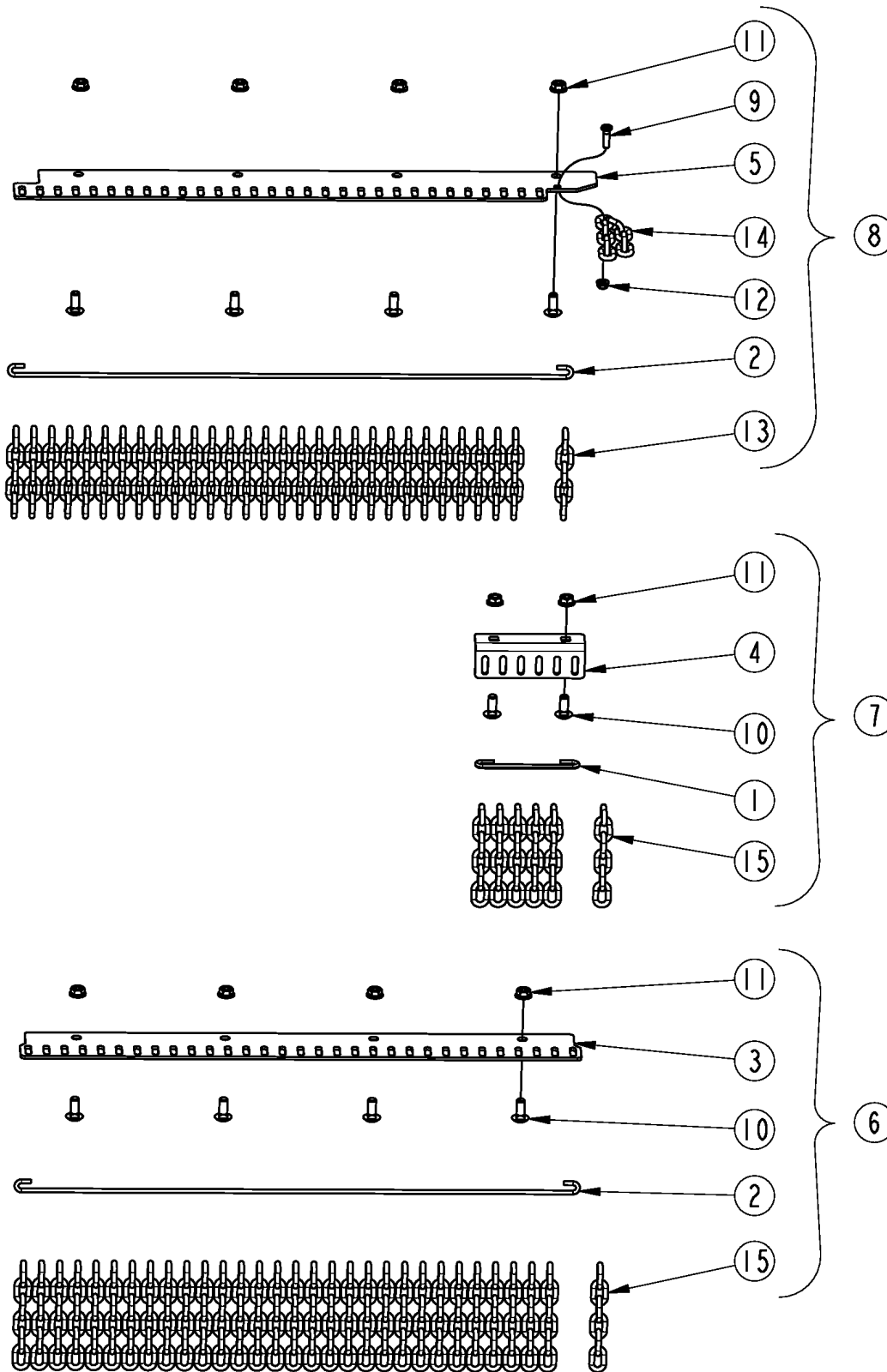
70910

Guards Chain Single Row Front**Applies to RC4710, RCL4710, RCLM4710, RCM4710**

Ref	Part No.	Part Description	Comments	Revision
	Dwg 70910 331-839A	Image No. SINGLE CHAIN GUARDS, RH OFF		
	334-841A	SINGLE CHAIN GUARDS, LH OFF		
1.	318-143D	ROUND ROD 1/4 X 34		
2.	318-337D	ROUND ROD 1/4 X 25		
3.	318-477D	ROUND ROD .25 X 74.50		
4.	331-234D	CHAIN GUARD, FNT WING		
5.	331-235D	CHAIN GUARD, FNT CTR OUTSIDE		
6.	331-236D	CHAIN GUARD, FNT CTR		
7.	331-727K	CHAIN GUARD, SGL FNT WING	All models	
8.	331-728K	CHAIN GUARD, SGL FNT CTR OUTER	All models	
9.	331-729K	CHAIN GUARD, SGL FNT CTR	All models	
10.	802-214C	RHSNB 1/2-13X1 1/4 GR5		
11.	803-037C	NUT HEX WHIZ 1/2-13 PLT GR5		
12.	890-341C	CHAIN WELD 5/16 GR 43 X 5 LINK		

Guards Chain Single Row Rear

Applies to RC4710, RCL4710, RCLM4710, RCM4710



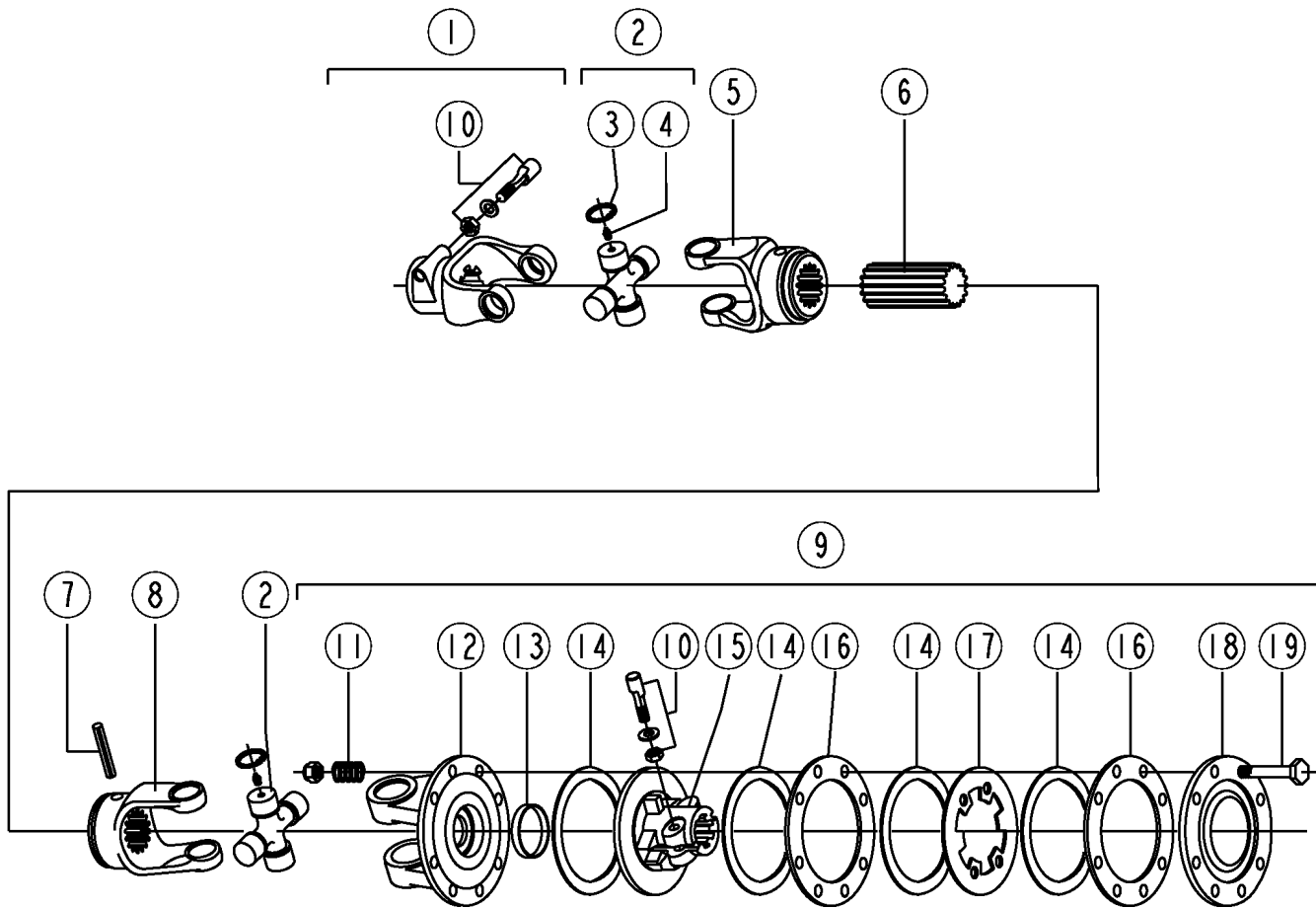
70911

Guards Chain Single Row Rear**Applies to RC4710, RCL4710, RCLM4710, RCM4710**

Ref	Part No.	Part Description	Comments	Revision
	Dwg 70911 331-839A	Image No. SINGLE CHAIN GUARDS, RH OFF		
	334-841A	SINGLE CHAIN GUARDS, LH OFF		
1.	318-641D	ROUND ROD .25 X 9		
2.	326-535D	ROUND ROD 1/4 X 37 3/4		
3.	331-237D	CHAIN GUARD, REAR CTR		
4.	331-238D	CHAIN GUARD, REAR CTR OUTER		
5.	331-239D	CHAIN GUARD, REAR WING		
6.	331-730K	CHAIN GUARD, SGL REAR CTR	All models	
7.	331-731K	CHAIN GUARD, SGL REAR CTR OUT	All models	
8.	331-734K	CHAIN GUARD, SGL REAR RH WING	RC(M) models	
8.	331-735K	CHAIN GUARD, SGL REAR LH WING	RC(M)L models	
9.	802-079C	HHCS 3/8-16X1 1/4 GR5		
10.	802-214C	RHSNB 1/2-13X1 1/4 GR5		
11.	803-037C	NUT HEX WHIZ 1/2-13 PLT GR5		
12.	803-209C	NUT FLANGE LOCK 3/8-16 PLT		
13.	890-341C	CHAIN WELD 5/16 GR 43 X 5 LINK		
14.	891-212C	CHAIN WELD 5/16 GR 43 X 9-LINK		
15.	890-175C	CHAIN 5/16 GR 43 X 6 LINKS PLT		

Driveline Center (826-818C) Comer

Applies to RC4710, RCL4710, RCLM4710, RCM4710



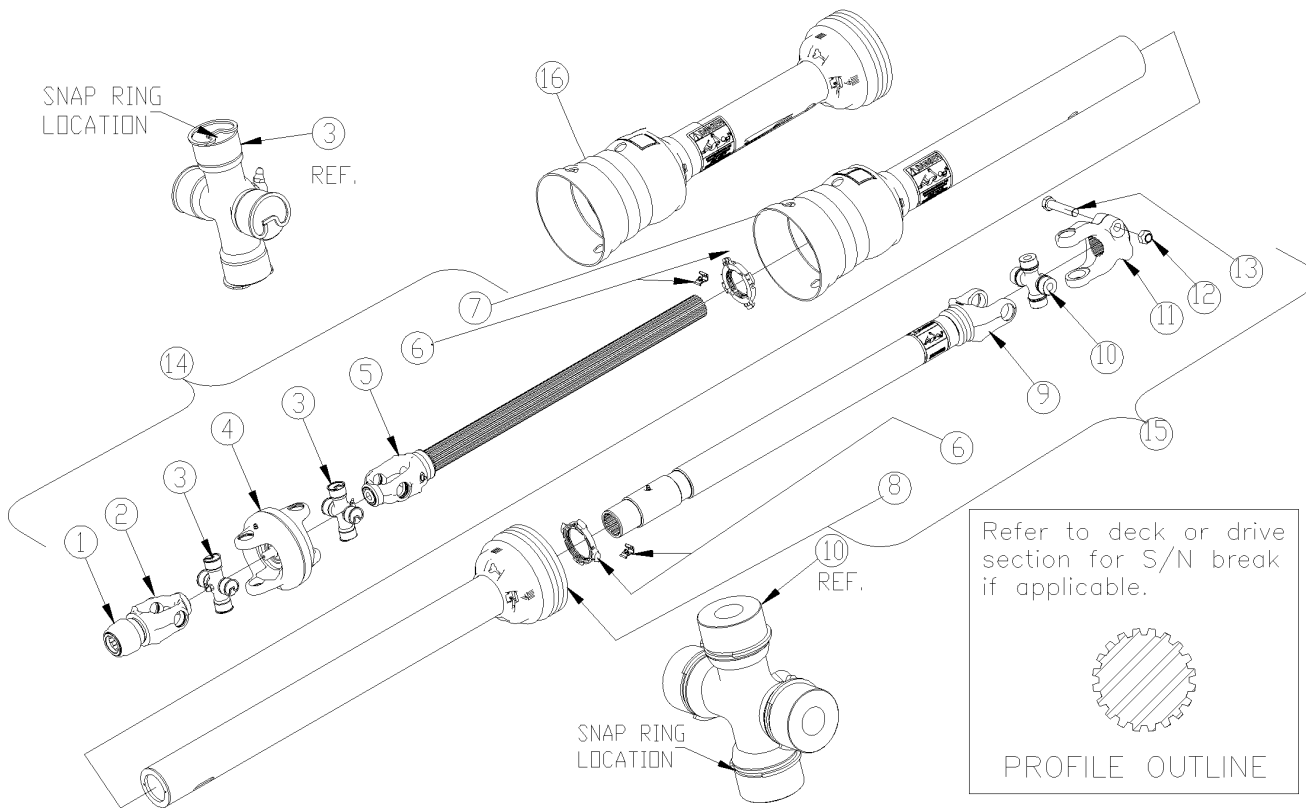
37510

Driveline Center (826-818C) Comer**Applies to RC4710, RCL4710, RCLM4710, RCM4710**

Ref	Part No.	Part Description	Comments	Revision
	Dwg 37510 826-818C	Image No. DRVLN C4 11 1.75-20 FX CLTCH *		
1.	141.026.357.1	COMER YOKE COMPLETE		
2.	180.016.780	CO CROSS JOURNAL SET		
3.	190.000.032	CO CIRCLIP		
4.	190.000.047	CO GREASE NIPPLE		
5.	170.016.630.1	COMER YOKE, OUTER		
6.	155.150.724	COMER SHAFT, SPLINED		
7.	190.000.016	COMER ROLL PIN, INNER TUBE		
8.	151.016.896.1	CO INNER YOKE		
9.	146.264.024.1	COMER CLUTCH, COMPLETE ASSY		
10.	165.000.589	COMER TAPERED PIN SET 1 3/4		
11.	180.014.022	COMER SPRING		
12.	151.016.037.1	COMER YOKE, FLANGED		
13.	180.019.019	COMER BUSH		
14.	180.019.340	COMER LINING RING		
15.	151.018.228.1	COMER CLUTCH SUPPORT		
16.	180.019.014	COMER INNER PLATE		
17.	180.019.115	COMER INTERMEDIATE PLATE		
18.	180.019.116.1	COMER PRESSURE PLATE		
19.	165.000.548	COMER BOLT WITH NUT M10X100		

Driveline CV 1.38 1000 RPM (826-644C) Weasler

Applies to RCLM4710, RCM4710



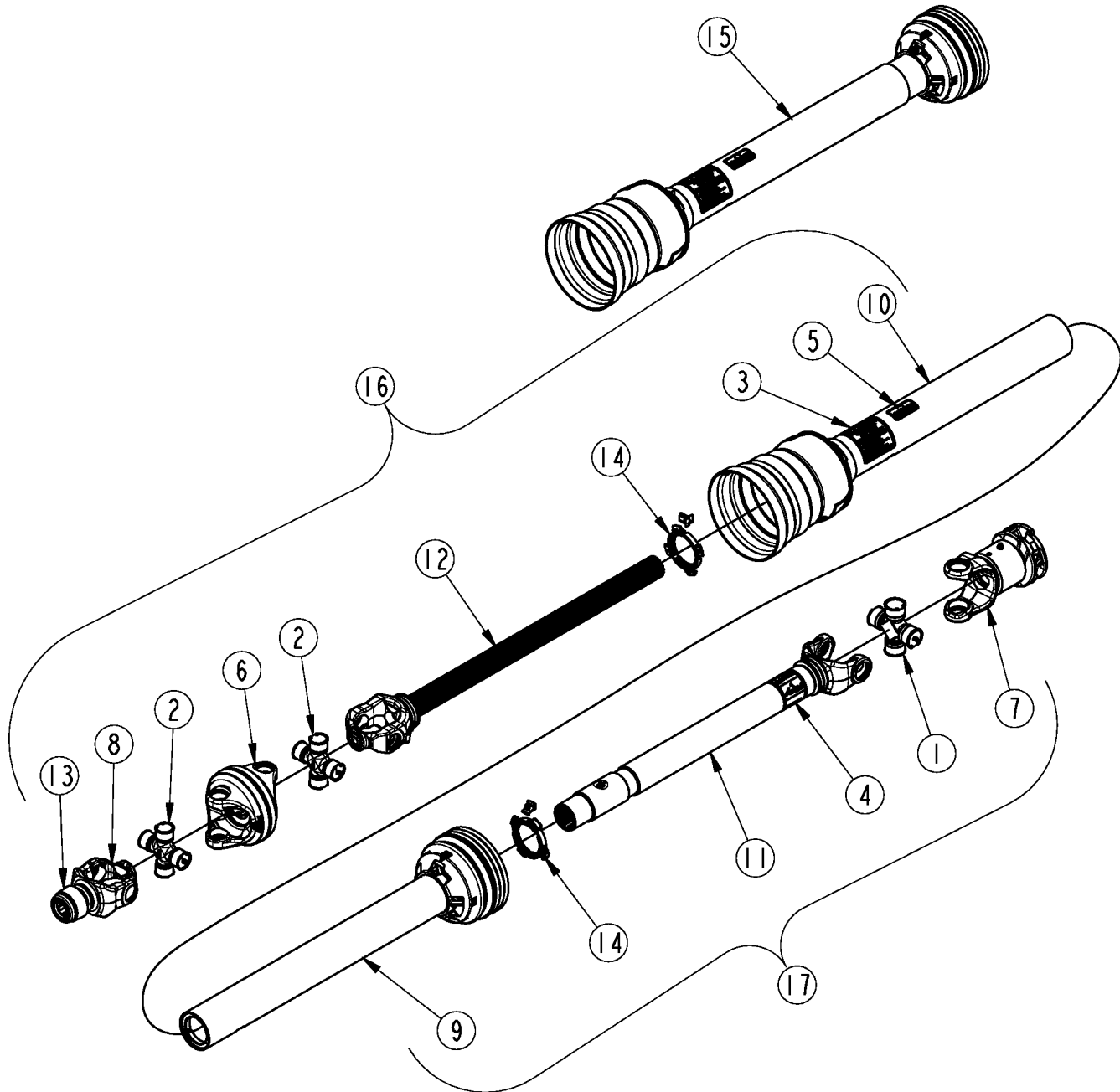
37911

Driveline CV 1.38 1000 RPM (826-644C) Weasler**Applies to RCLM4710, RCM4710**

Ref	Part No.	Part Description	Comments	Revision
	Dwg 37911 826-644C	Image No. DRVLN C6 42 1.38-21 CV *		
1.	26-15120	WE SSL/AUTO-LOK REPAIR KIT		
2.	68810-1003	WE WWCV AUTO-LOK YOKE ASM		
3.	03-15570	WE AB8/AW25EBL CROSS KIT		
4.	26-16033	WE WWCV CENTER HOUSING		
5.	99-24406	WE YOKE&SHAFT (1.69-20 SPLINE)		
6.	19-15135	WE GUARD REPAIR KIT		
7.	97-25023	WE OUTER GUARD		
8.	96-24406	WE INNER GUARD		
9.	98-24406	WE YOKE, TUBE & SLIP SLEEVE		
10.	03-15316	WE 55EBL CROSS KIT		
11.	55051-1817	WE YOKE		
12.	11-14988	WE LOCK NUT .625-11		
13.	11-15180	WE BOLT .625-11 X 3.00L GR8		
14.	93-25023	WE JOINT&SHFT HALF ASM W/GUARD		
15.	92-24406	WE JOINT&TUBE HALF ASM W/GUARD		
16.	91-25023	WE GUARD SET		

Driveline CV 1.38 1000 RPM W/ Overrunning Clutch (826-793C) Weasler

Applies to RCLM4710, RCM4710



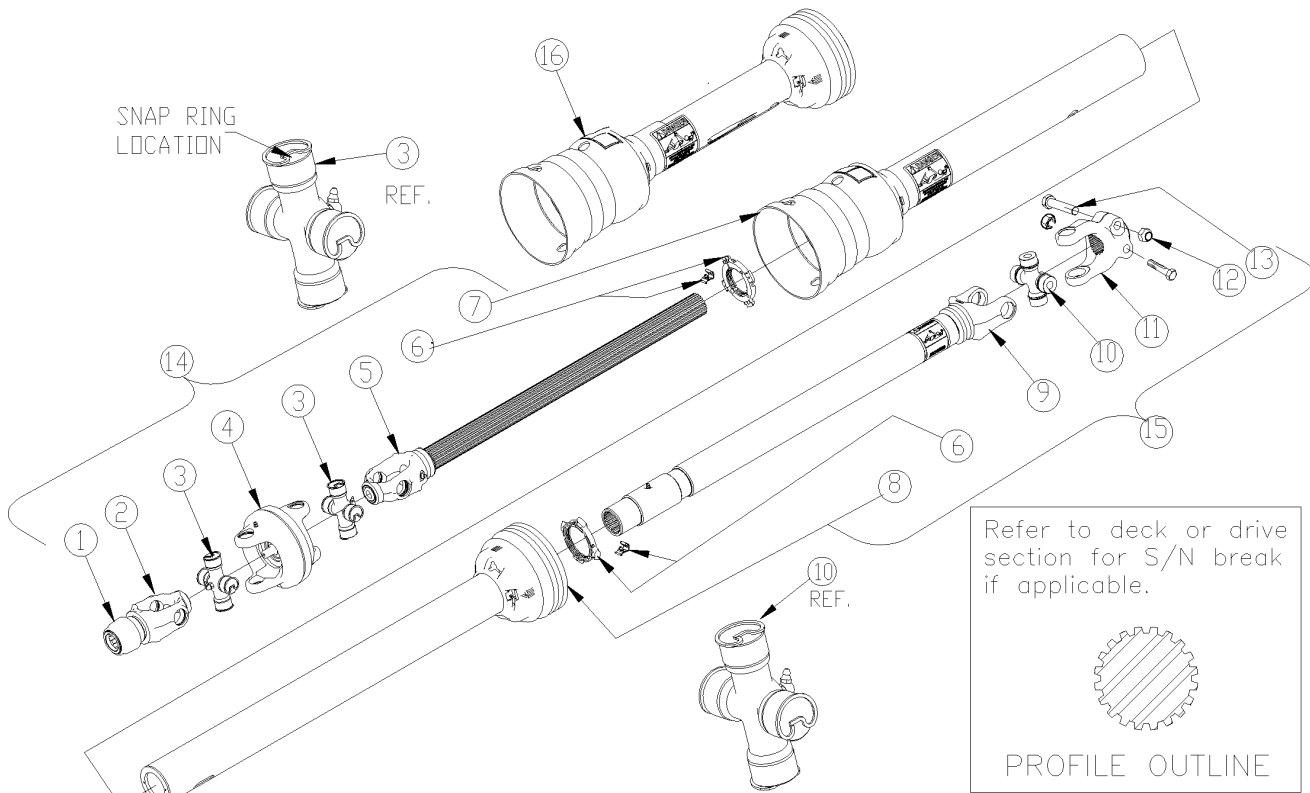
70947

Driveline CV 1.38 1000 RPM W/ Overrunning Clutch (826-793C) Weasler**Applies to RCLM4710, RCM4710**

Ref	Part No.	Part Description	Comments	Revision
	Dwg 70947 826-793C	Image No. DRVLN C6 39 1.38-21 CV ORCLTCH *		
1.	03-15316	WE 55EBL CROSS KIT		
2.	03-15570	WE AB8/AW25EBL CROSS KIT		
3.	13-10021	WE SAFETY SIGN		
4.	13-10022	WE SAFETY SIGN		
5.	13-15249	WE DECAL LAND PRIDE		
6.	26-16033	WE WWCV CENTER HOUSING		
7.	39-10039	WE OVERRUNNING THRST CLTCH ASM		
8.	68810-1003	WE WWCV AUTO-LOK YOKE ASM		
9.	82-26654	WE JOINT & TUBE HALF GUARD SET		
10.	83-26656	WE JOINT & SHFT HALF GUARD SET		
11.	98-26654	WE YOKE, TUBE & SLIP SLEEVE		
12.	99-24406	WE YOKE&SHAFT (1.69-20 SPLINE)		
13.	26-15120	WE SSL/AUTO-LOK REPAIR KIT		
14.	19-15121	WE GUARD REPAIR KIT		
15.	90-26654	WE GUARD SET		
16.	93-25023	WE JOINT&SHFT HALF ASM W/GUARD		
17.	94-26654	WE JOINT & TUBE HALF ASM		

Driveline CV 1.38 540 RPM (826-643C) Weasler

Applies to RC4710, RCL4710



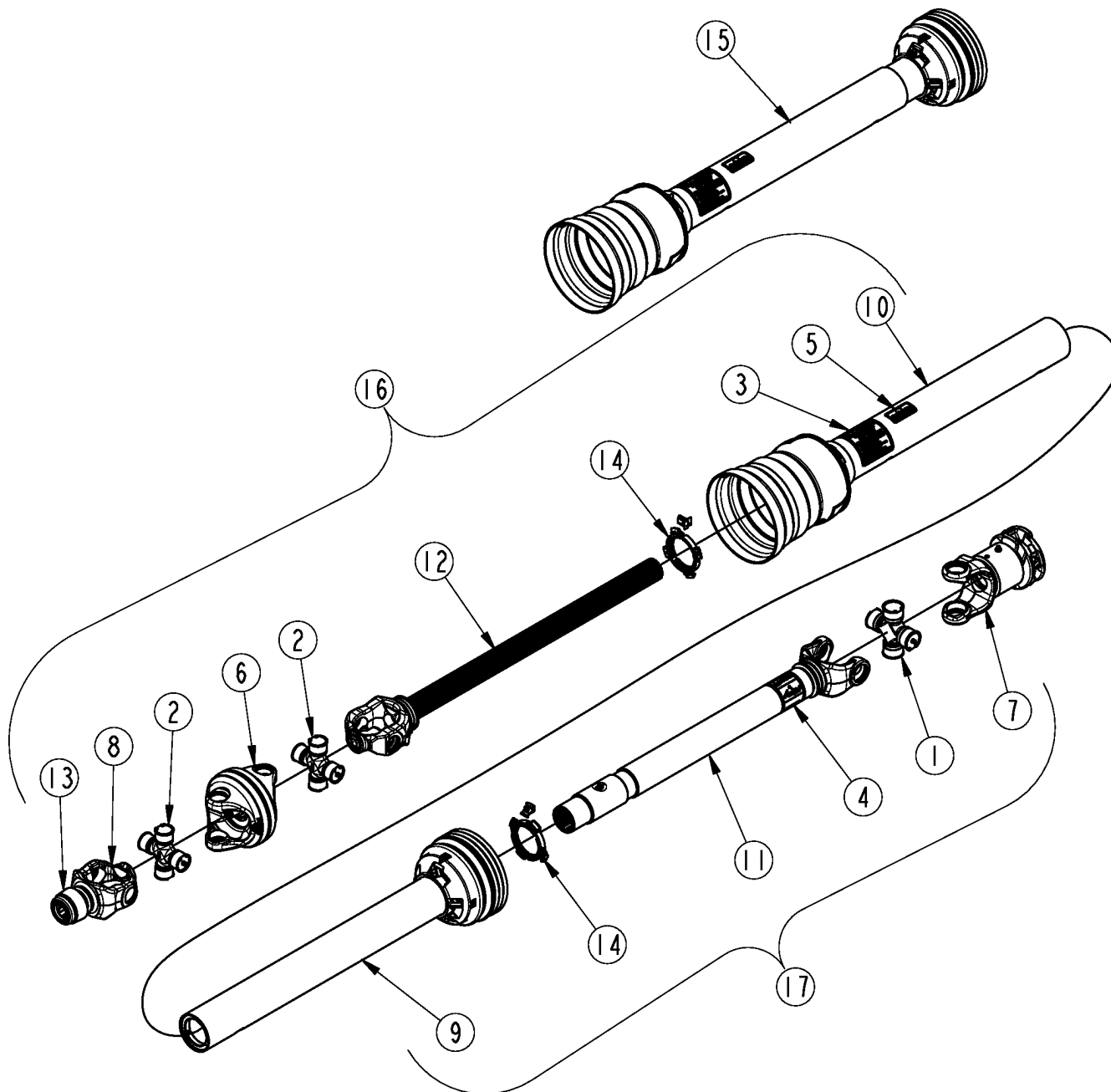
37916

Driveline CV 1.38 540 RPM (826-643C) Weasler**Applies to RC4710, RCL4710**

Ref	Part No.	Part Description	Comments	Revision
	Dwg 37916 826-643C	Image No. DRVLN C6 42 1.38-6 CV *		
1.	26-15120	WE SSL/AUTO-LOK REPAIR KIT		
2.	68810-1004	WE WWCV AUTO-LOK YOKE ASM		
3.	03-15570	WE AB8/AW25EBL CROSS KIT		
4.	26-16033	WE WWCV CENTER HOUSING		
5.	99-24406	WE YOKE&SHAFT (1.69-20 SPLINE)		
6.	19-15135	WE GUARD REPAIR KIT W/ CHAINS		
7.	97-24406	WE OUTER GUARD		
8.	96-24406	WE INNER GUARD		
9.	98-24406	WE YOKE, TUBE & SLIP SLEEVE		
10.	03-15316	WE 55EBL CROSS KIT		
11.	55051-1817	WE YOKE		
12.	11-14988	WE LOCK NUT .625-11		
13.	11-15180	WE BOLT .625-11 X 3.00L GR8		
14.	93-24406	WE JOINT&SHFT HALF ASM W/GUARD		
15.	92-24406	WE JOINT&TUBE HALF ASM W/GUARD		
16.	90-24406	WE GUARD SET		

Driveline CV 1.38 540 RPM W/ Overrunning Clutch (826-884C) Weasler

Applies to RC4710, RCL4710



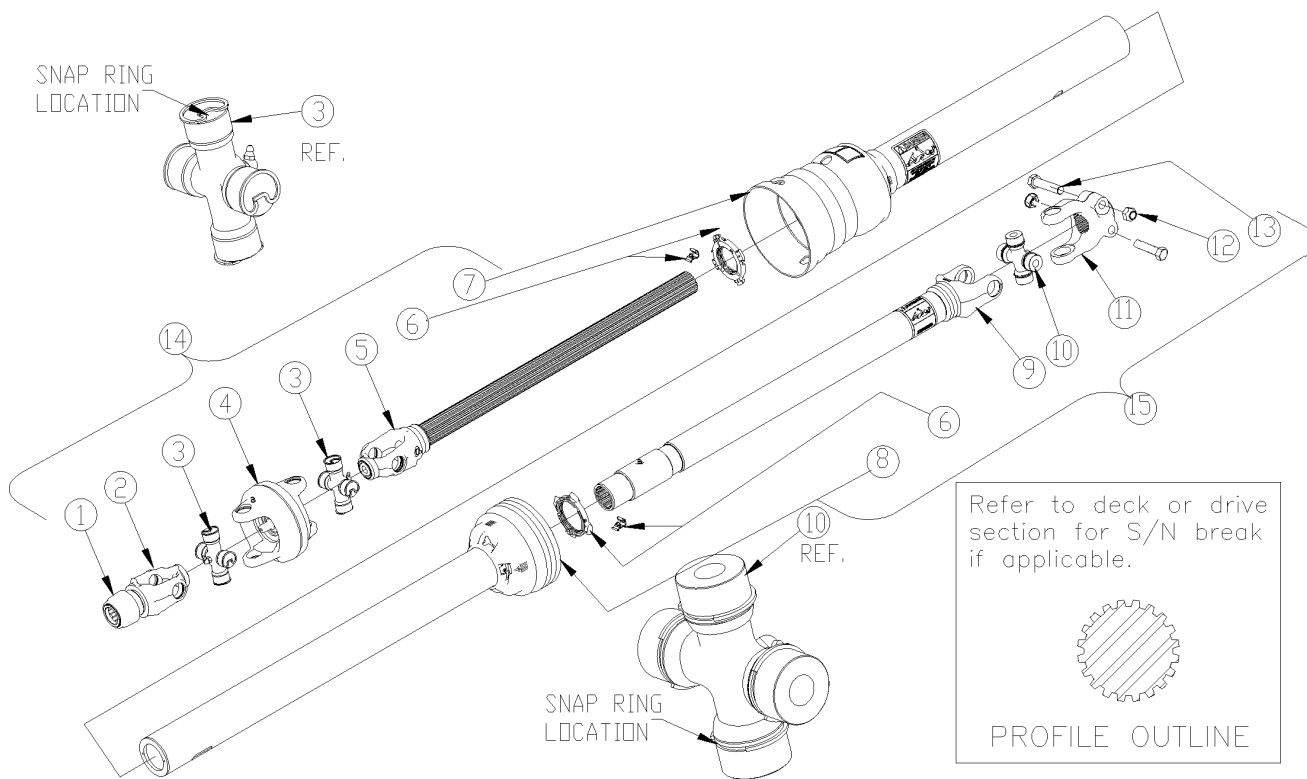
70947

Driveline CV 1.38 540 RPM W/ Overrunning Clutch (826-884C) Weasler**Applies to RC4710, RCL4710**

Ref	Part No.	Part Description	Comments	Revision
	Dwg 70947 826-884C	Image No. DRVLN C6 39 1.38-6 CV ORCL *		
1.	03-15316	WE 55EBL CROSS KIT		
2.	03-15570	WE AB8/AW25EBL CROSS KIT		
3.	13-10021	WE SAFETY SIGN		
4.	13-10022	WE SAFETY SIGN		
5.	13-15256	WE DECAL LAND PRIDE		
6.	26-16033	WE WWCV CENTER HOUSING		
7.	39-10039	WE OVERRUNNING THRST CLTCH ASM		
8.	68810-1004	WE WWCV AUTO-LOK YOKE ASM		
9.	96-26654	WE INNER GUARD		
10.	97-26656	WE OUTER GUARD		
11.	98-26654	WE YOKE, TUBE & SLIP SLEEVE		
12.	99-24406	WE YOKE&SHAFT (1.69-20 SPLINE)		
13.	26-15120	WE SSL/AUTO-LOK REPAIR KIT		
14.	19-15121	WE GRD REPAIR KIT		
15.	90-26656	WE GUARD SET		
16.	93-24406	WE JOINT&SHFT HALF ASM W/GUARD		
17.	94-26654	WE JOINT & TUBE HALF ASM		

Driveline CV 1.75 1000 RPM (826-645C)

Applies to RCLM4710, RCM4710



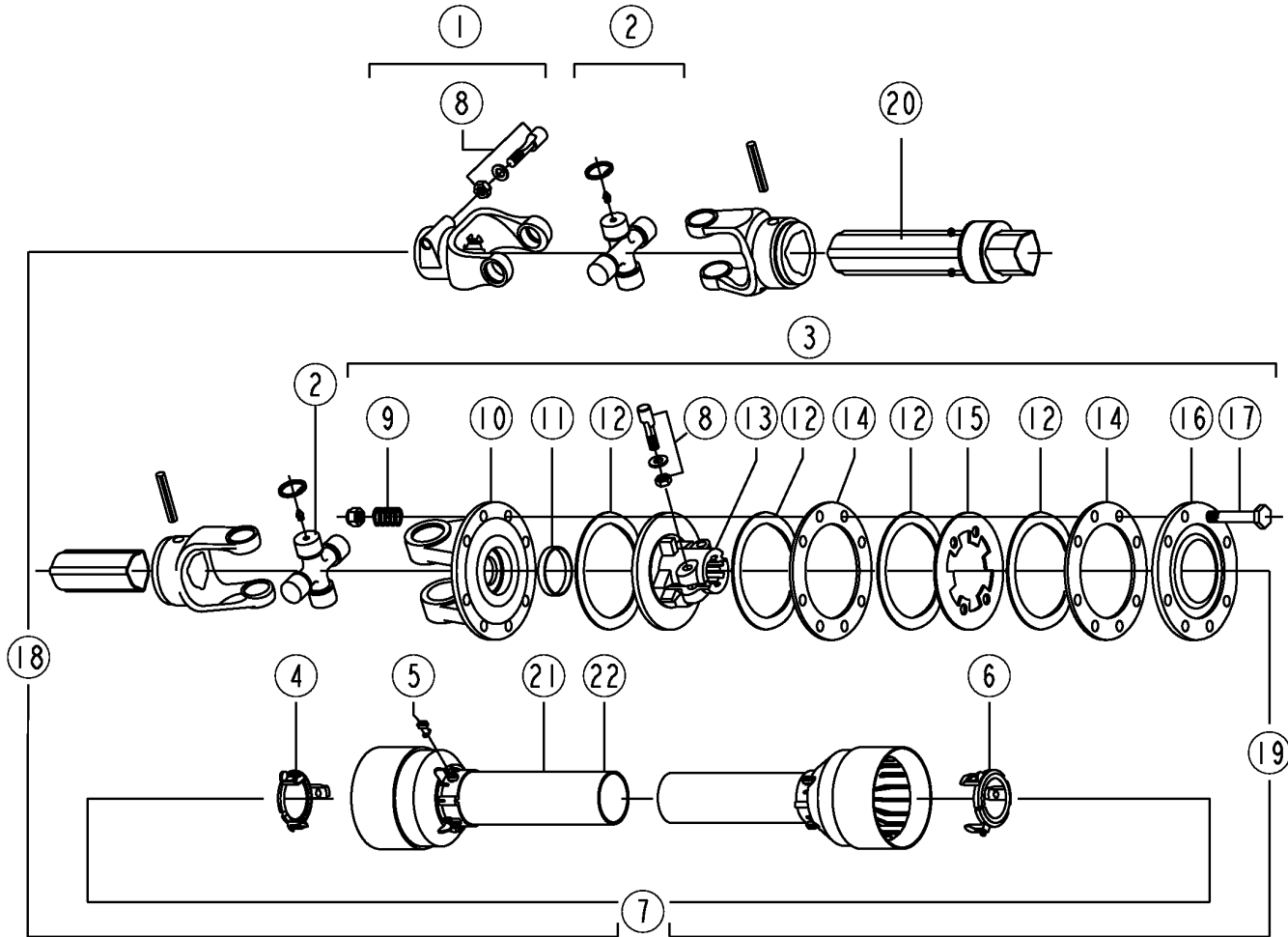
37912

Driveline CV 1.75 1000 RPM (826-645C)**Applies to RCLM4710, RCM4710**

Ref	Part No.	Part Description	Comments	Revision
	Dwg 37912 826-645C	Image No. DRVLN C6 47 1.75-20 CV *	Complete Assembly	
1.	26-13387	WE SSL/AUTO-LOK REPAIR KIT		
2.	68810-1005	WE WWCV AUTO-LOK YOKE ASM		
3.	03-15570	WE AB8/AW25EBL CROSS KIT		
4.	26-16033	WE WWCV CENTER HOUSING		
5.	99-24406	WE YOKE&SHAFT (1.69-20 SPLINE)		
6.	19-15135	WE GUARD REPAIR KIT		
7.	97-25075	WE OUTER GUARD		
8.	96-25075	WE INNER GUARD		
9.	98-25075	WE YOKE, TUBE & SLIP SLEEVE		
10.	03-15316	WE 55EBL CROSS KIT		
11.	55051-1817	WE YOKE		
12.	11-14988	WE LOCK NUT .625-11		
13.	11-15180	WE BOLT .625-11 X 3.00L GR8		
14.	93-25075	WE JOINT&SHFT HALF ASM W/GUARD		
15.	92-25075	WE JOINT&TUBE HALF ASM W/GUARD		

Driveline Wing (826-811C) Comer

Applies to RC4710, RCL4710, RCLM4710, RCM4710



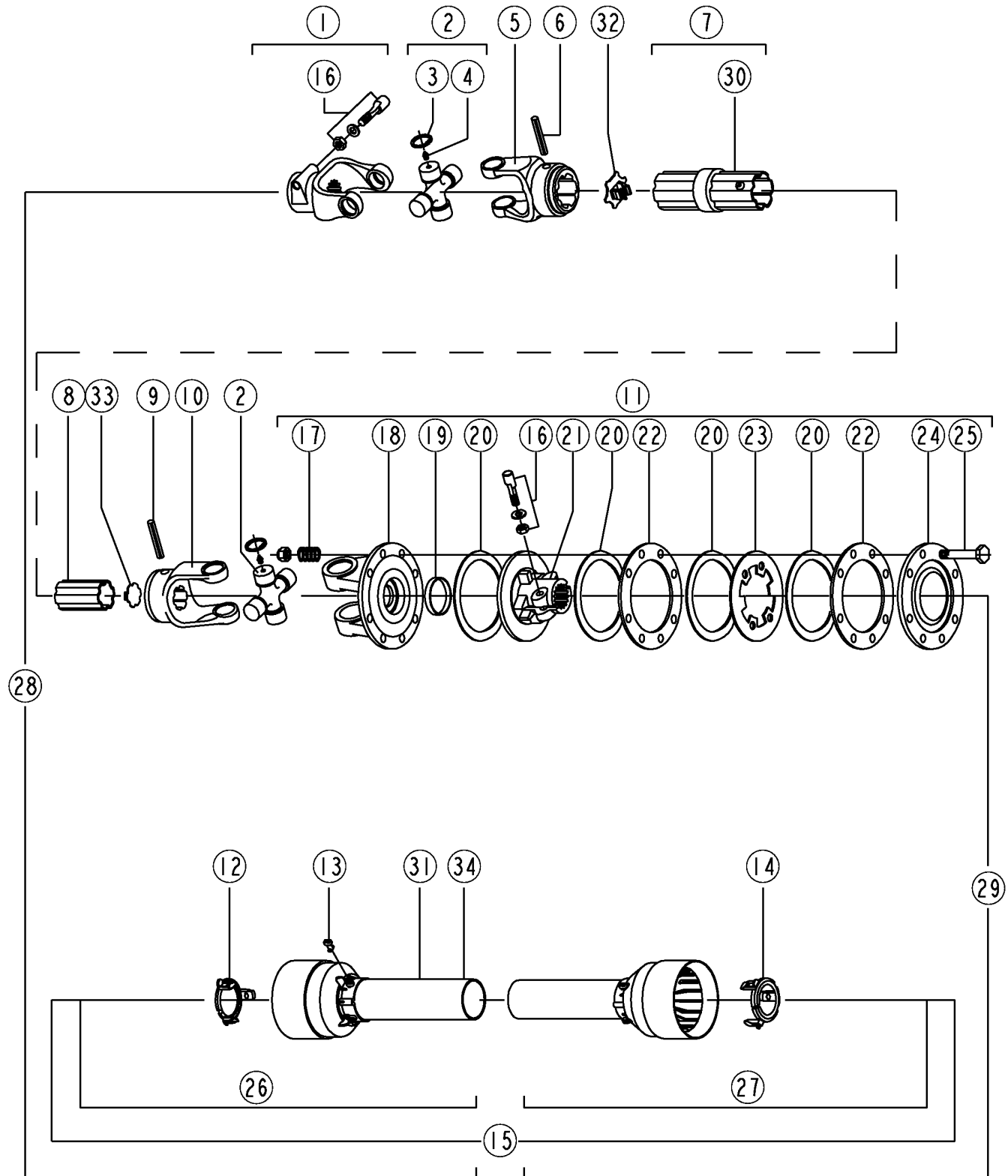
37917

Driveline Wing (826-811C) Comer**Applies to RC4710, RCL4710, RCLM4710, RCM4710**

Ref	Part No.	Part Description	Comments	Revision
	Dwg 37917 826-811C	Image No. DRVLN C4 50 1.75-20 FX CLTCH *		
1.	141.026.357.1	COMER YOKE COMPLETE		
2.	180.016.780	CO CROSS JOURNAL SET		
3.	146.264.024.1	COMER CLUTCH, COMPLETE ASSY		
4.	8180.016.237	CO RETAINING COLLAR OUTER TUBE		
5.	180.014.240	COMER BOLT		
6.	8180.016.238	CO RETAINING COLLAR INNER TUBE		
7.	142.260.5197621	CO COMPLETE GUARD W/MANUAL		
8.	165.000.589	COMER TAPERED PIN SET 1 3/4		
9.	180.014.022	COMER SPRING		
10.	151.016.037.1	COMER YOKE, FLANGED		
11.	180.019.019	COMER BUSH		
12.	180.019.340	COMER LINING RING		
13.	151.018.228.1	COMER CLUTCH SUPPORT		
14.	180.019.014	COMER INNER PLATE		
15.	180.019.115	COMER INTERMEDIATE PLATE		
16.	180.019.116.1	COMER PRESSURE PLATE		
17.	165.000.548	COMER BOLT WITH NUT M10X100		
18.	8123.360.504.11	CO HALF FEMALE SHFT W/GUARDING		
19.	8123.460.106411	CO HALF MALE SHAFT W/GUARD		
20.	190.000.098	COMER DANGER LABEL OUTER TUBE		
21.	190.000.099	COMER DANGER LABEL GUARD OUTER		
22.	190.000.903	CO LABEL W/CUSTOMER CODE		

Driveline Wing (826-812C) Comer

Applies to RC4710, RCL4710, RCLM4710, RCM4710



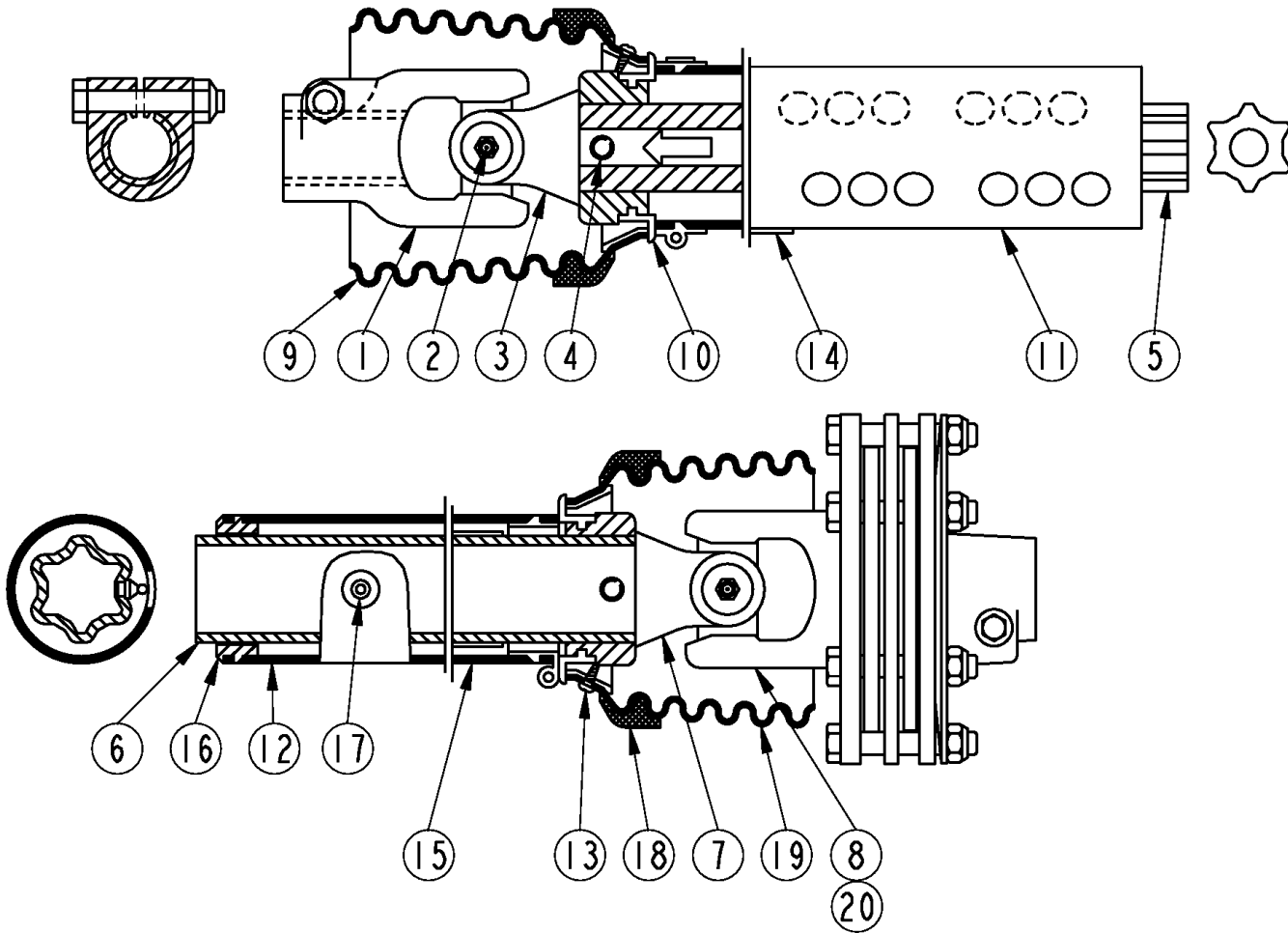
37918

Driveline Wing (826-812C) Comer**Applies to RC4710, RCL4710, RCLM4710, RCM4710**

Ref	Part No.	Part Description	Comments	Revision
	Dwg 37918 826-812C	Image No. DRVLN C5 48 1.75-20 FX CLTCH *		
1.	141.028.195.1	COMER YOKE COMPLETE		
2.	180.018.581	CO CROSS JOURNAL SET		
3.	190.000.035	N/A	available only in cross journal set (#2)	
4.	190.000.047	CO GREASE NIPPLE		
5.	151.018.241.1	COMER YOKE OUTER		
6.	190.000.243	COMER OUTER TUBE ROLL PIN		
7.	150.281.5197810	CO COMPLETE OUTER TUBE W/LABEL		
8.	159.280.168	COMER INNER TUBE		
9.	190.000.271	COMER ROLL PIN FOR INNER TUBE		
10.	151.018.242.1	COMER INNER YOKE		
11.	146.284.020.1	COMER CLUTCH, DISC COMPLETE		
12.	180.018.251	COMER RETAINING COLLER INNER		
13.	180.014.240	COMER BOLT		
14.	180.018.252	COMER RETAINING COLLER INNER		
15.	142.286.2519821	CO COMPLETE GUARD W/MANUAL		
16.	165.000.589	COMER TAPERED PIN SET 1 3/4		
17.	180.014.022	COMER SPRING		
18.	151.018.016.1	COMER YOKE, FLANGED		
19.	180.019.019	COMER BUSH		
20.	180.019.340	COMER LINING RING		
21.	151.018.228.1	COMER CLUTCH SUPPORT		
22.	180.019.014	COMER INNER PLATE		
23.	180.019.115	COMER INTERMEDIATE PLATE		
24.	180.019.116.1	COMER PRESSURE PLATE		
25.	165.000.548	COMER BOLT WITH NUT M10X100		
26.	142.283.2509821	CO HALF FEMALE GUARD		
27.	142.287.2199821	CO HALF MALE GUARD		
28.	123.386.190.01	CO HALF FEMALE SHFT W/GUARDING		
29.	123.486.343.01	CO HALF MALE SHAFT W/GUARDING		
30.	190.000.098	COMER DANGER LABEL OUTER TUBE		
31.	190.000.099	COMER DANGER LABEL GUARD OUTER		
32.	180.018.393	COMER CAP OUTER TUBE, PLASTIC		
33.	180.018.435	COMER INNER CAP		
34.	190.000.932	CO LABEL W/CUSTOMER CODE		

Driveline Wing (826-812C) Walterscheid

Applies to RC4710, RCL4710, RCLM4710, RCM4710

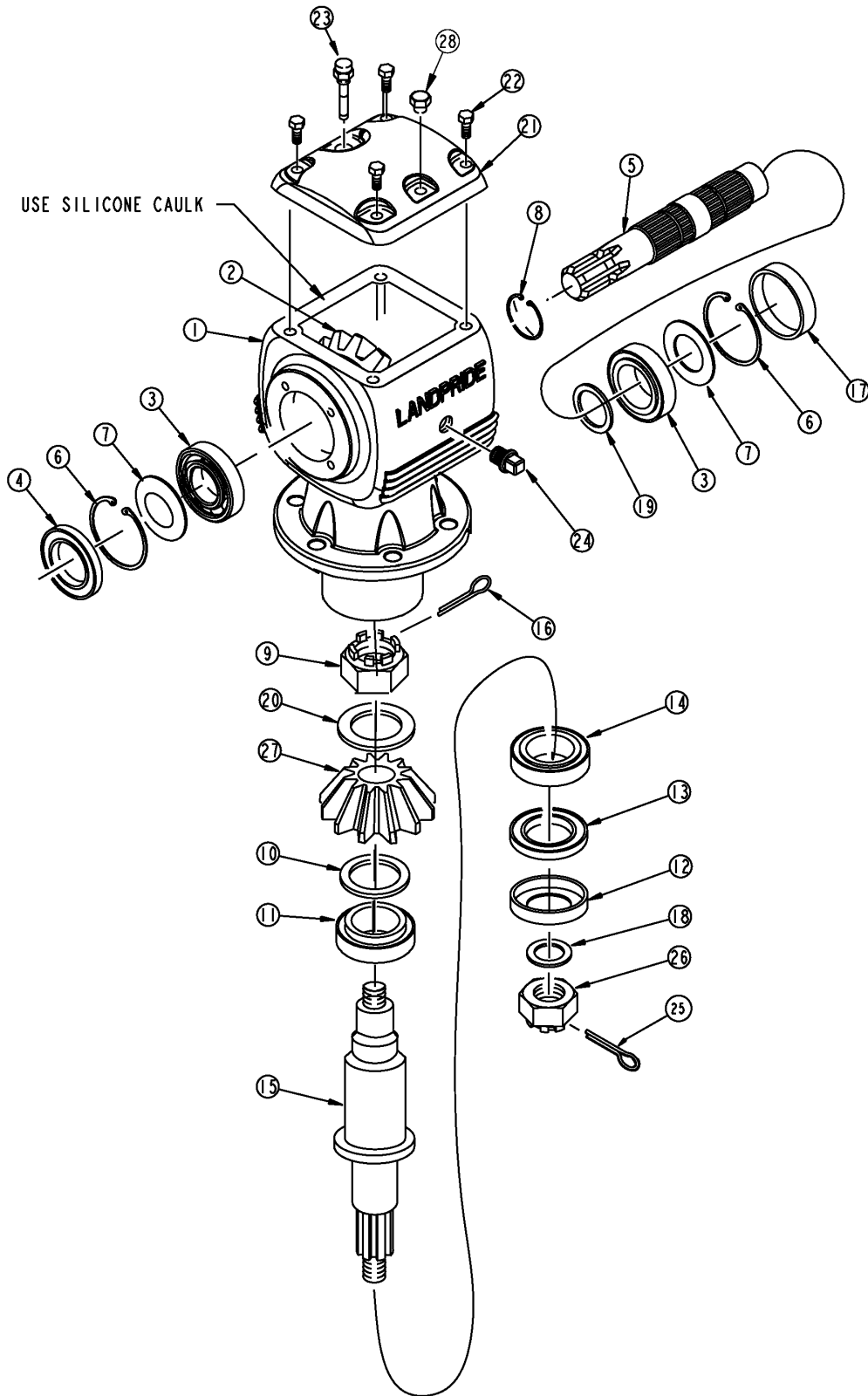


Driveline Wing (826-812C) Walterscheid**Applies to RC4710, RCL4710, RCLM4710, RCM4710**

Ref	Part No.	Part Description	Comments	Revision
	Dwg 37919 826-812C	Image No. DRVLN C5 48 1.75-20 FX CLTCH *		
1.	325027	WS YOKE 1 3/4-20 SPL.I.C. 2500		
2.	190224	WS CROSS & BEARING KIT		
3.	097133	WS INBOARD YOKE S4		
4.	304046	WS SPRING PIN 10 X 90		
5.	323524	WS INNER PROFILE S4L		
6.	397493	WS OUTER PROFILE S5L		
7.	097140	WS INBOARD YOKE S5		
8.	395980	WS FRICTION CLUTCH		
9.	125142	WS GUARD CONE 7 RIB		
10.	087276	WS BRG RING - SC25		
11.	371708	WS GUARD TUBE OUTER		
11.	371709	RPBY 371708		
12.	399469	WS GUARD TUBE INNER		
13.	365305	WS SCREW		
14.	818-552C	DECAL DANGER PTO DRIVELINE		
15.	818-540C	DECAL DANGER GUARD MISS PTO		
16.	396295	WS SUPPORT BEARING		
17.	380371	WS ZERK		
18.	359474	WS REINFORCING COLLAR		
19.	125140	WS GUARD CONE 6 RIB		
20.	107542	CC LOCK ASSY		

Gearbox 1000 RPM (826-317C)

Applies to RCM4710



72443

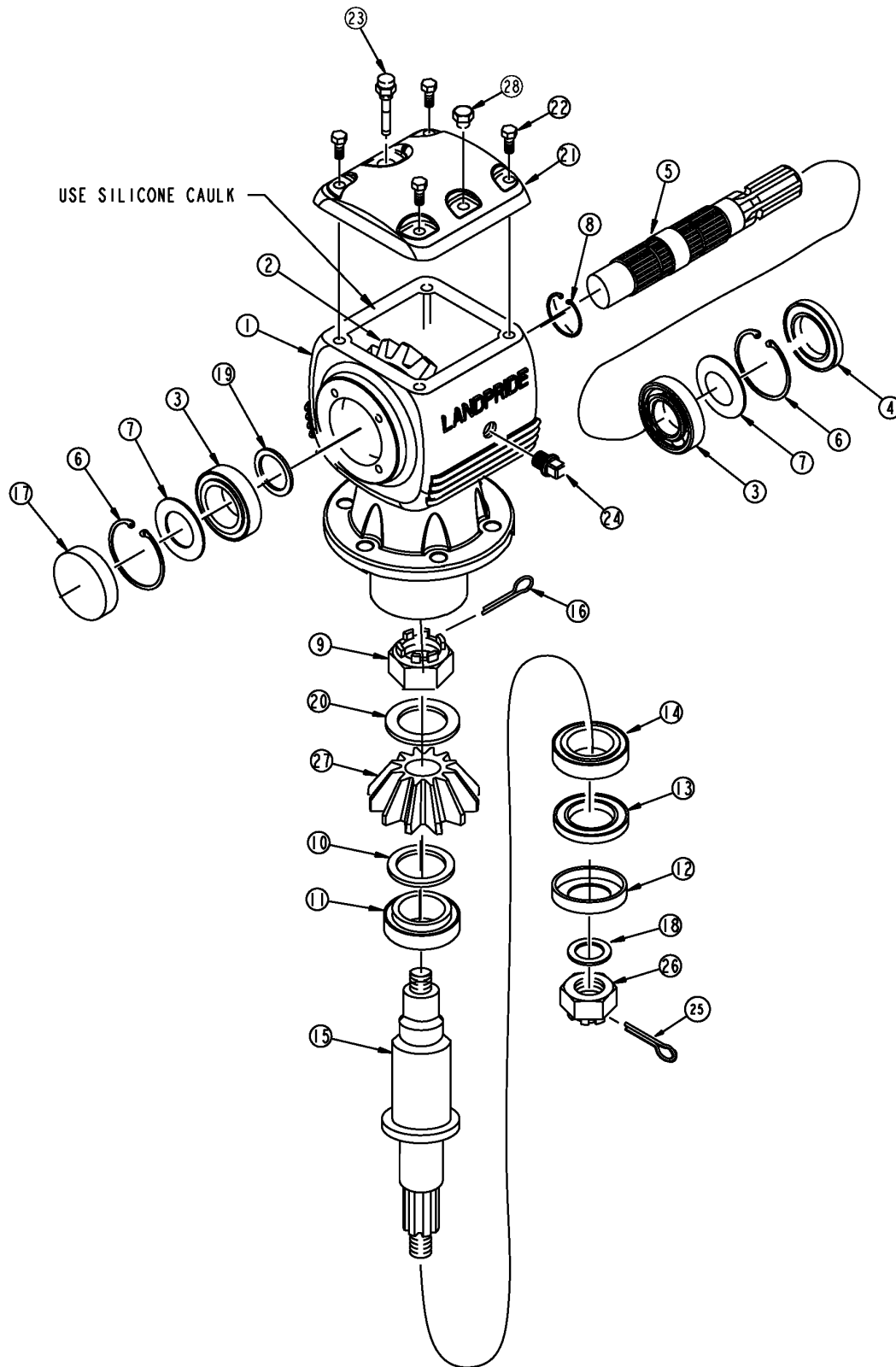
Gearbox 1000 RPM (826-317C)**Applies to RCM4710**

Ref	Part No.	Part Description	Comments	Revision
	Dwg 72443 826-317C	Image No. GBOX RCM50 1:1.21 STD *		
1.	U0.125.0531.00	CO HOUSING		
2.	U0.125.5003.00	CO CROWN GEAR Z22 M7.8		
3.	8.0.9.00143	CO BEARING 30209 RTA25		
4.	8.7.3.00331	CO OIL SEAL 45 X 85 X 10		
5.	U0.125.2050.00	CO INPUT SHAFT 1 3/4"-20		
6.	8.5.2.00332	CO SNAP RING UNI 7437		
7.	0.709.7500.00	CO SHIM 84.7		
8.	8.5.1.00533	CO SNAP RING 50 UNI7435		
9.	U0.125.7100.00	CO CASTLE NUT		
10.	0.712.7500.00	CO SHIM 50.3X70.3		
11.	8.0.9.01090	CO BEARING 32210		
12.	1.181.7101.00	CO SEAL PROTECTOR		
13.	8.7.1.02349	CO OIL SEAL 60X110X12		
14.	8.0.9.00079	CO BEARING 30212		
15.	U0.125.3002.00	CO OUTPUT SHAFT		
16.	8.4.7.02265	CO COTTER PIN B 5X60		
17.	0.121.7101.00	CO CAP		
18.	0.288.7101.00	CO BLANK WASHER		
19.	0.252.7525.00	CO SHIM 45.3X2.5		
20.	0.285.7510.00	CO SHIM 40.3 X 61.7 X 1		
21.	U0.125.1301.00	CO COVER		
22.	8.1.1.00501	CO BOLT M10X22 HHB		
23.	826-486C	COMER U0.125.7003.00 DIPSTICK		
24.	8.6.5.00006	CO OIL PLUG 3/8"		
25.	8.4.7.01045	CO COTTER PIN B6X70 SLD-SPRTLY		
26.	8.2.2.00560	CO CASTLE NUT M36X3		
27.	U0.125.6003.00	CO CROWN GEAR Z18 M7.8		
28.	8.6.6.02901	CO GAS PLUG 1/2"		

*
Notes: Oil Type 80-90W Capacity 10 Pints

Gearbox 1000 RPM (826-319C)

Applies to RCLM4710



72445

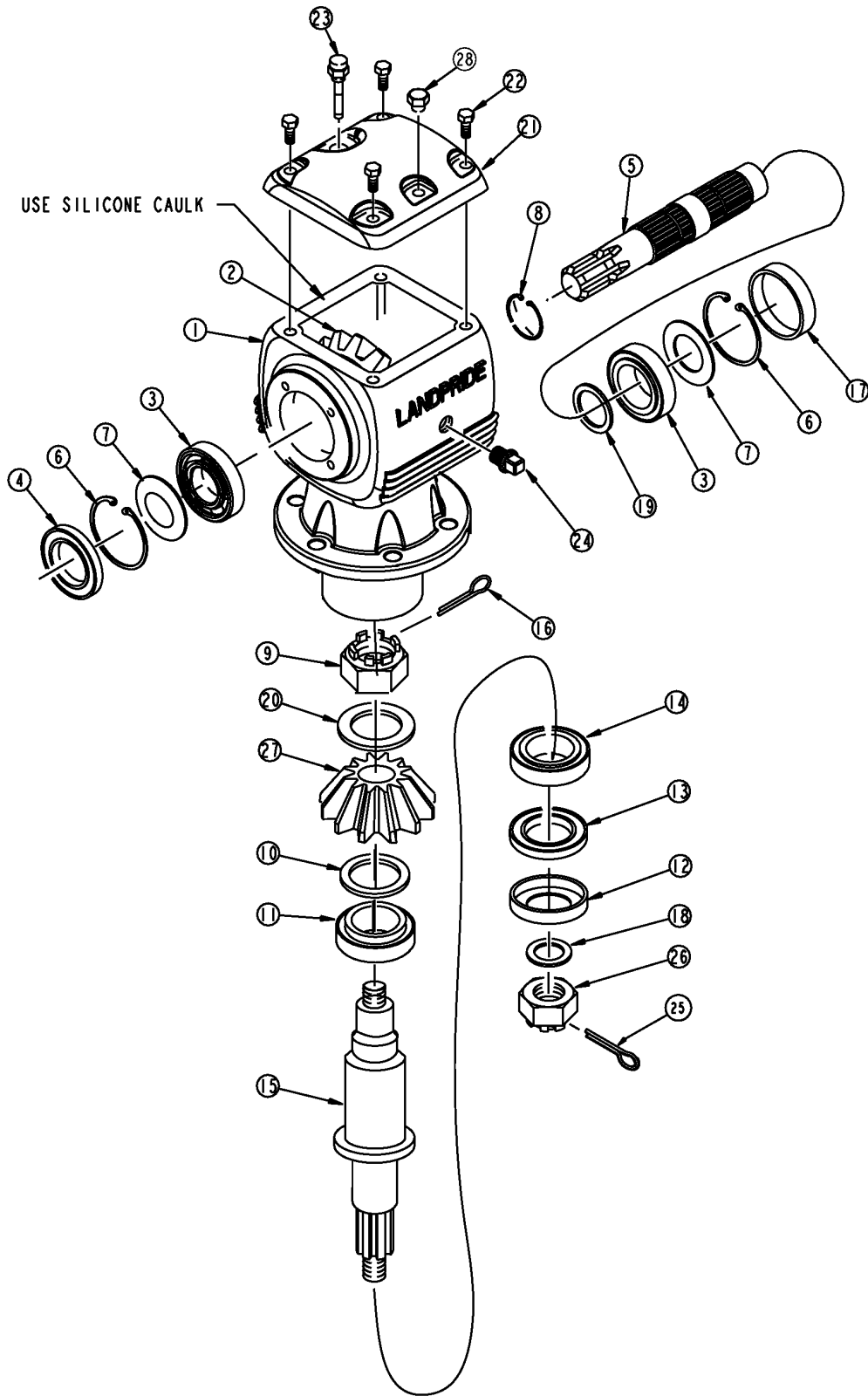
Gearbox 1000 RPM (826-319C)**Applies to RCLM4710**

Ref	Part No.	Part Description	Comments	Revision
	Dwg 72445 826-319C	Image No. GBOX RCM50 1.75-20 1:1.21 CW *		
1.	U0.125.0531.00	CO HOUSING		
2.	U0.125.5003.00	CO CROWN GEAR Z22 M7.8		
3.	8.0.9.00143	CO BEARING 30209 RTA25		
4.	8.7.3.00331	CO OIL SEAL 45 X 85 X 10		
5.	U0.125.2050.00	CO INPUT SHAFT 1 3/4"-20		
6.	8.5.2.00332	CO SNAP RING UNI 7437		
7.	0.709.7500.00	CO SHIM 84.7		
8.	8.5.1.00533	CO SNAP RING 50 UNI7435		
9.	U0.125.7100.00	CO CASTLE NUT		
10.	0.712.7500.00	CO SHIM 50.3X70.3		
11.	8.0.9.01090	CO BEARING 32210		
12.	1.181.7101.00	CO SEAL PROTECTOR		
13.	8.7.1.02349	CO OIL SEAL 60X110X12		
14.	8.0.9.00079	CO BEARING 30212		
15.	U0.125.3002.00	CO OUTPUT SHAFT		
16.	8.4.7.02265	CO COTTER PIN B 5X60		
17.	0.121.7101.00	CO CAP		
18.	0.288.7101.00	CO BLANK WASHER		
19.	0.252.7525.00	CO SHIM 45.3X2.5		
20.	0.285.7510.00	CO SHIM 40.3 X 61.7 X 1		
21.	U0.125.1301.00	CO COVER		
22.	8.1.1.00501	CO BOLT M10X22 HHB		
23.	826-486C	COMER U0.125.7003.00 DIPSTICK		
24.	8.6.5.00006	CO OIL PLUG 3/8"		
25.	8.4.7.01045	CO COTTER PIN B6X70 SLD-SPRTLY		
26.	8.2.2.00560	CO CASTLE NUT M36X3		
27.	U0.125.6003.00	CO CROWN GEAR Z18 M7.8		
28.	8.6.6.02901	CO GAS PLUG 1/2"		

*
Notes: Oil Type 80-90W Capacity 10 Pints

Gearbox 1000 RPM (826-725C)

Applies to RCLM4710



72446

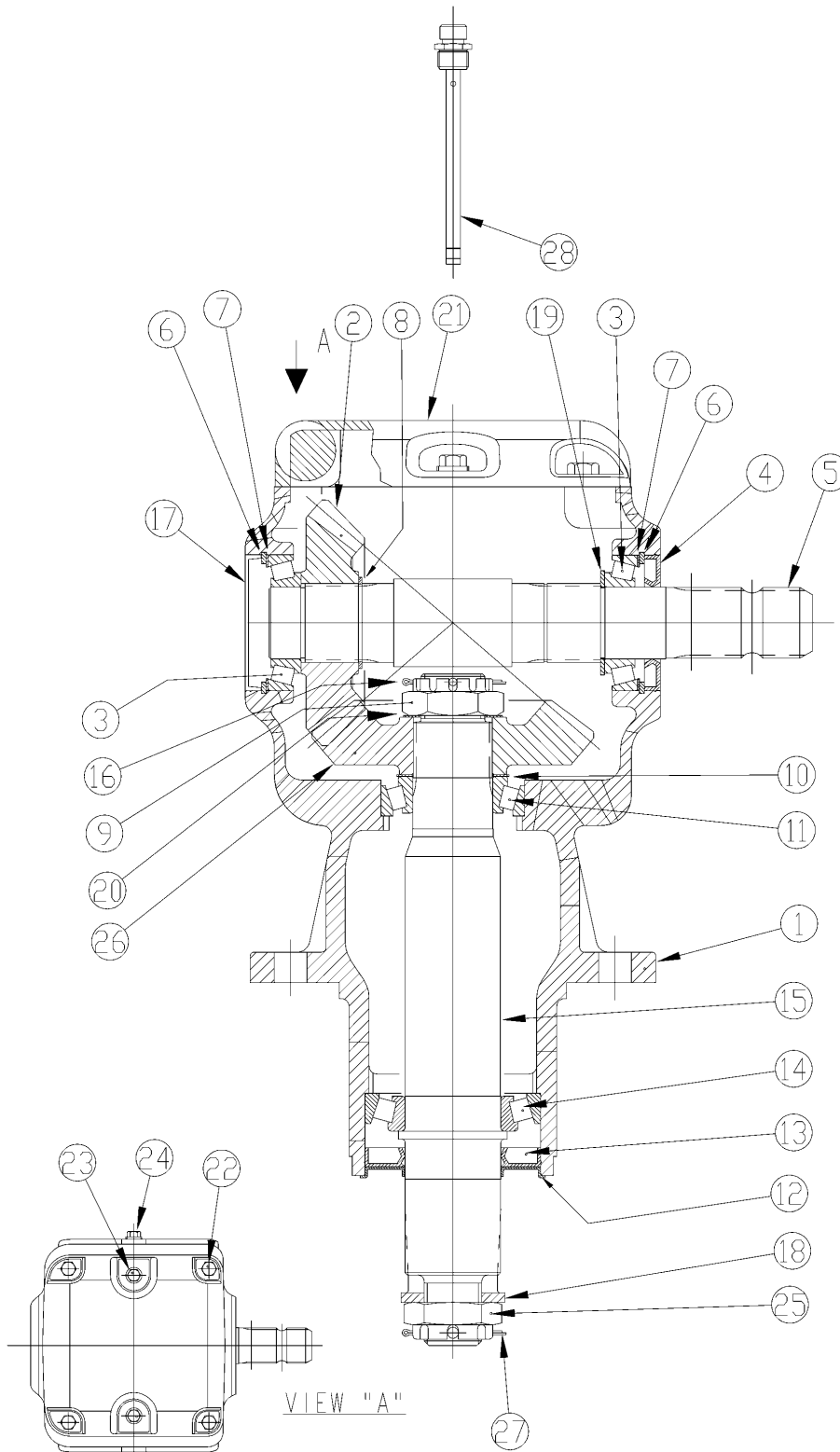
Gearbox 1000 RPM (826-725C)**Applies to RCLM4710**

Ref	Part No.	Part Description	Comments	Revision
	Dwg 72446 826-725C	Image No. GBOX RC50 1.15:1 STD *		
1.	U0.125.0531.00	CO HOUSING		
2.	U0.125.5061.00	CO GEAR PINION Z19 M7.8		
3.	8.0.9.00143	CO BEARING 30209 RTA25		
4.	8.7.3.00331	CO OIL SEAL 45 X 85 X 10		
5.	U0.125.2050.00	CO INPUT SHAFT 1 3/4"-20		
6.	8.5.2.00332	CO SNAP RING UNI 7437		
7.	0.709.7500.00	CO SHIM 84.7		
8.	8.5.1.00533	CO SNAP RING 50 UNI7435		
9.	U0.125.7100.00	CO CASTLE NUT		
10.	0.712.7500.00	CO SHIM 50.3X70.3		
11.	8.0.9.01090	CO BEARING 32210		
12.	1.181.7101.00	CO SEAL PROTECTOR		
13.	8.7.1.02349	CO OIL SEAL 60X110X12		
14.	8.0.9.00079	CO BEARING 30212		
15.	U0.125.3002.00	CO OUTPUT SHAFT		
16.	8.4.7.02265	CO COTTER PIN B 5X60		
17.	0.121.7101.00	CO CAP		
18.	0.288.7101.00	CO BLANK WASHER		
19.	0.252.7525.00	CO SHIM 45.3X2.5		
20.	0.285.7510.00	CO SHIM 40.3 X 61.7 X 1		
21.	U0.125.1301.00	CO COVER		
22.	8.1.1.00501	CO BOLT M10X22 HHB		
23.	826-486C	COMER U0.125.7003.00 DIPSTICK		
24.	8.6.5.00006	CO OIL PLUG 3/8"		
25.	8.4.7.01045	CO COTTER PIN B6X70 SLD-SPRTLY		
26.	8.2.2.00560	CO CASTLE NUT M36X3		
27.	U0.125.6061.00	CO GEAR CROWN Z22 M7.8		
28.	8.6.6.02901	CO GAS PLUG 1/2"		

*
Notes: Oil Type 80-90W Capacity 10 Pints

Gearbox 1000 RPM (826-726C)

Applies to RCM4710



35001

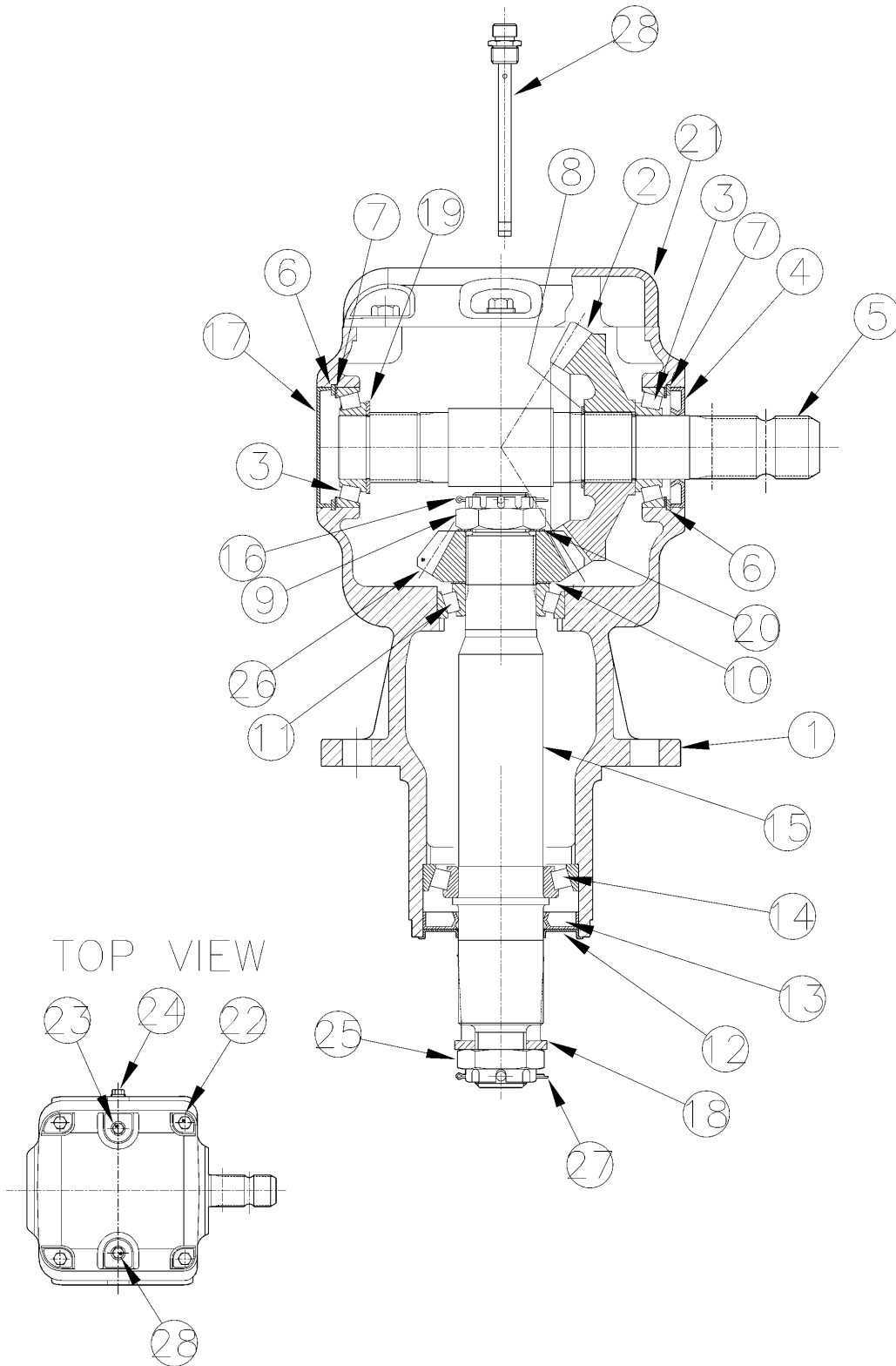
Gearbox 1000 RPM (826-726C)**Applies to RCM4710**

Ref	Part No.	Part Description	Comments	Revision
	Dwg 35001 826-726C	Image No. GBOX RC50 1.15:1 REV *		
1.	U0.125.0531.00	CO CASTING & MACHINING		
2.	U0.125.5061.00	CO GEAR PINION Z19 M7.8		
3.	8.0.9.00143	CO BRG 30209 TAPPERED		
4.	8.7.3.00331	CO OIL SEAL 45 X 85 X 10 SL		
5.	U0.125.2050.00	CO INPUT SHAFT 1 3/4"-20		
6.	8.5.2.00332	CO SNAP RING UNI 7437		
7.	A.709.500	COMER SHIM KIT		
8.	8.5.1.00533	CO SNAP RING 50 UNI7435		
9.	U0.125.7100.00	CO CASTLE NUT		
10.	A.712.500	COMER SHIM KIT		
11.	8.0.9.01090	CO BRG 32210 TAPPERED		
12.	1.181.7101.00	CO SEAL PROTECTOR		
13.	8.7.1.02349	CO OIL SEAL 60X110X12 SL		
14.	8.0.9.00079	CO BRG 30212 TAPPERED		
15.	U0.125.3002.00	CO OUTPUT SHAFT		
16.	8.4.7.02265	CO COTTER PIN B 5X60		
17.	0.121.7101.00	CO CAP		
18.	0.288.7101.00	CO BLANK WASHER		
19.	0.252.7525.00	CO SHIM 45.3X2.5		
20.	0.285.7510.00	CO SHIM 40.3 X 61.7 X 1		
21.	U0.125.1303.00	CO TOP COVER		
22.	8.1.1.00501	CO BOLT M10X22 HHB		
23.	8.6.6.02901	CO GAS PLUG 1/2"		
24.	8.6.5.00006	CO OIL PLUG 3/8"		
25.	8.2.2.00560	CO CASTLE NUT M36X3		
26.	U0.125.6061.00	CO GEAR CROWN Z22 M7.8		
27.	8.4.7.01045	CO COTTER PIN B6X70 SLD-SPRTLY		
28.	826-486C	COMER U0.125.7003.00 DIPSTICK *		

Notes: Oil Type 80-90W Capacity 10 Pints

Gearbox 540 RPM (826-650C)

Applies to RC4710, RCL4710



30528

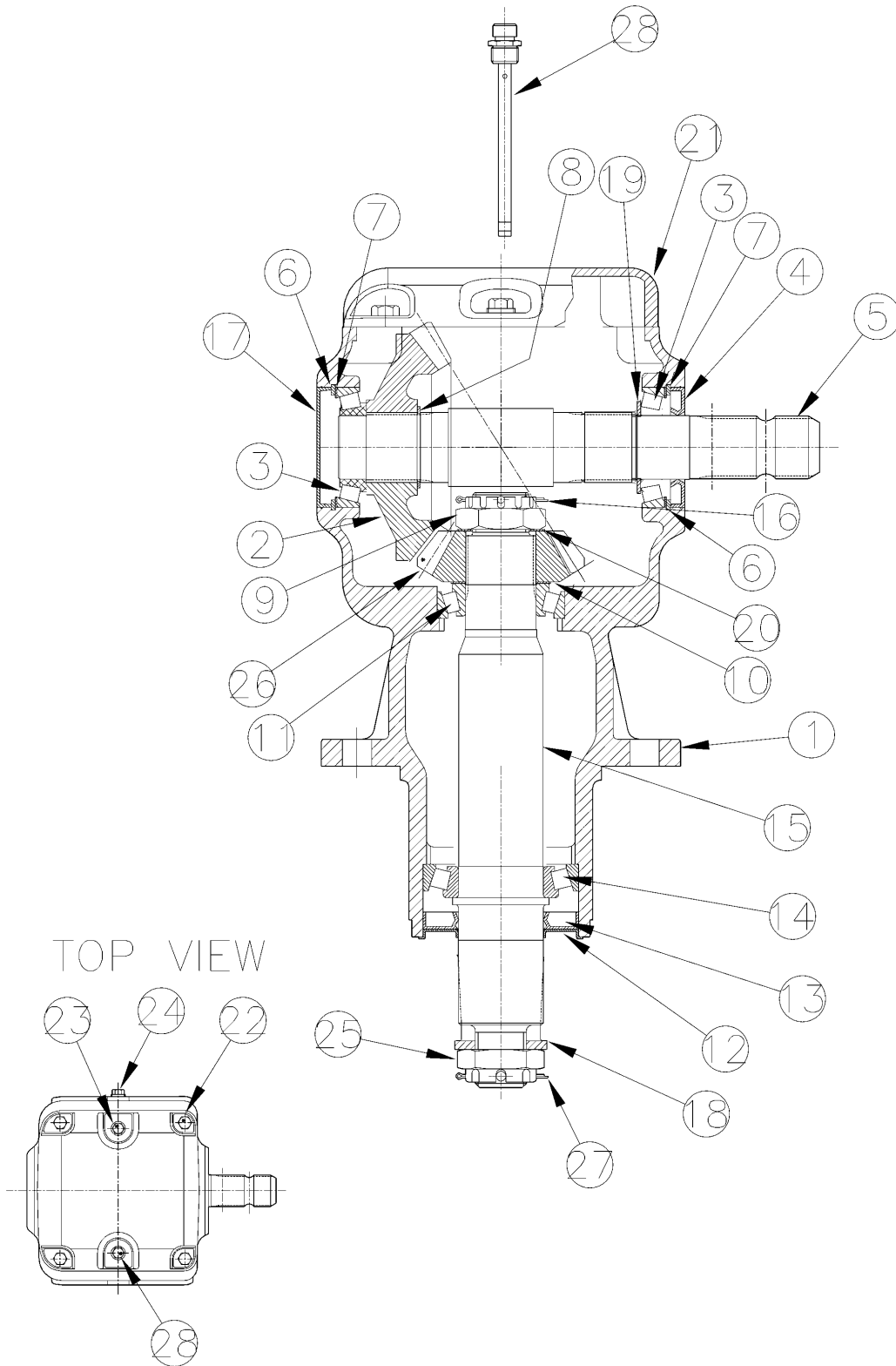
Gearbox 540 RPM (826-650C)**Applies to RC4710, RCL4710**

Ref	Part No.	Part Description	Comments	Revision
	Dwg 30528	Image No.		
	826-650C	GBOX RCF36 1.75-20 1:1.60 CCW *		
1.	U0.125.0531.00	CO HOUSING		
2.	U0.125.6053.00	CO GEAR CROWN Z24 M7.25		
3.	8.0.9.00143	CO BRG 30209 TAPPERED		
4.	8.7.3.00331	CO OIL SEAL 45 X 85 X 10 SL		
5.	U0.125.2050.00	CO INPUT SHAFT 1 3/4"-20		
6.	8.5.2.00332	CO SNAP RING UNI 7437		
7.	A.709.500	COMER SHIM KIT		
8.	8.5.1.00533	CO SNAP RING 50 UNI7435		
9.	U0.125.7100.00	CO CASTLE NUT		
10.	A.712.500	COMER SHIM KIT		
11.	8.0.9.01090	CO BRG 32210 TAPPERED		
12.	1.181.7101.00	CO SEAL PROTECTOR		
13.	8.7.1.02349	CO OIL SEAL 60X110X12 SL		
14.	8.0.9.00079	CO BRG 30212 TAPPERED		
15.	U0.125.3002.00	CO OUTPUT SHAFT		
16.	8.4.7.02265	CO COTTER PIN B 5X60		
17.	0.121.7101.00	CO CAP		
18.	0.288.7101.00	CO BLANK WASHER		
19.	0.252.7525.00	CO SHIM 45.3X2.5		
20.	0.285.7510.00	CO SHIM 40.3 X 61.7 X 1		
21.	U0.125.1303.00	CO TOP COVER		
22.	8.1.1.00501	CO BOLT M10X22 HHB		
23.	8.6.6.02901	CO GAS PLUG 1/2"		
24.	8.6.5.00006	CO OIL PLUG 3/8"		
25.	8.2.2.00560	CO CASTLE NUT M36X3		
26.	U0.125.5053.00	GEAR PINION Z15 M7.25		
27.	8.4.7.01045	CO COTTER PIN B6X70 SLD-SPRTLY		
28.	826-486C	COMER U0.125.7003.00 DIPSTICK *		

Notes: Oil Type 80-90W Capacity 10 Pints

Gearbox 540 RPM (826-721C)

Applies to RC4710, RCL4710



33315

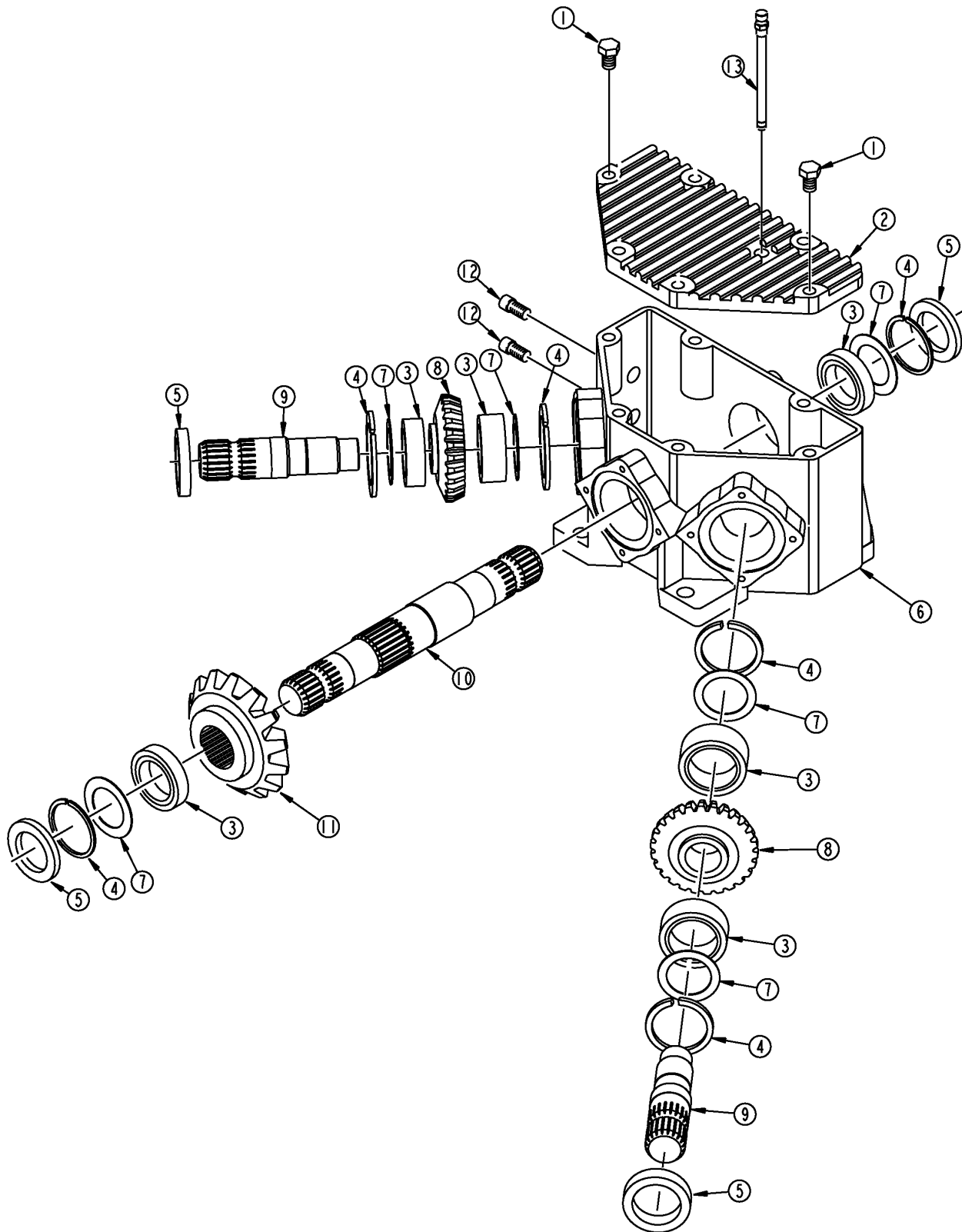
Gearbox 540 RPM (826-721C)**Applies to RC4710, RCL4710**

Ref	Part No.	Part Description	Comments	Revision
	Dwg 33315 826-721C	Image No. GBOX RC50 1.75-20 1:1.60 CW *		
1.	U0.125.0531.00	CO HOUSING		
2.	U0.125.6053.00	CO GEAR CROWN Z24 M7.25		
3.	8.0.9.00143	CO BRG 30209 TAPPERED		
4.	8.7.3.00331	CO OIL SEAL 45 X 85 X 10 SL		
5.	U0.125.2050.00	CO INPUT SHAFT 1 3/4"-20		
6.	8.5.2.00332	CO SNAP RING UNI 7437		
7.	A.709.500	COMER SHIM KIT		
8.	8.5.1.00533	CO SNAP RING 50 UNI7435		
9.	U0.125.7100.00	CO CASTLE NUT		
10.	A.712.500	COMER SHIM KIT		
11.	8.0.9.01090	CO BRG 32210 TAPPERED		
12.	1.181.7101.00	CO SEAL PROTECTOR		
13.	8.7.1.02349	CO OIL SEAL 60X110X12 SL		
14.	8.0.9.00079	CO BRG 30212 TAPPERED		
15.	U0.125.3002.00	CO OUTPUT SHAFT		
16.	8.4.7.02265	CO COTTER PIN B 5X60		
17.	0.121.7101.00	CO CAP		
18.	0.288.7101.00	CO BLANK WASHER		
19.	0.252.7525.00	CO SHIM 45.3X2.5		
20.	0.285.7510.00	CO SHIM 40.3 X 61.7 X 1		
21.	U0.125.1303.00	CO TOP COVER		
22.	8.1.1.00501	CO BOLT M10X22 HHB		
23.	8.6.6.02901	CO GAS PLUG 1/2"		
24.	8.6.5.00006	CO OIL PLUG 3/8"		
25.	8.2.2.00560	CO CASTLE NUT M36X3		
26.	U0.125.5053.00	GEAR PINION Z15 M7.25		
27.	8.4.7.01045	CO COTTER PIN B6X70 SLD-SPRTLY		
28.	826-486C	COMER U0.125.7003.00 DIPSTICK *		

Notes: Oil Type 80-90W Capacity 10 Pints

Gearbox Divider 1000 RPM (826-521C) Comer

Applies to RCLM4710, RCM4710



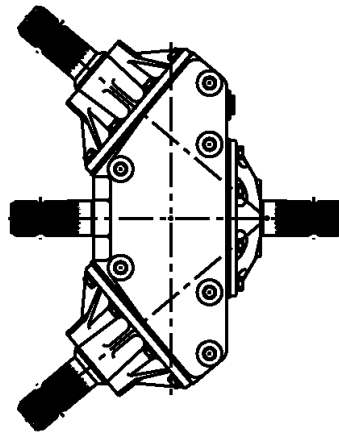
72409

Gearbox Divider 1000 RPM (826-521C) Comer**Applies to RCLM4710, RCM4710**

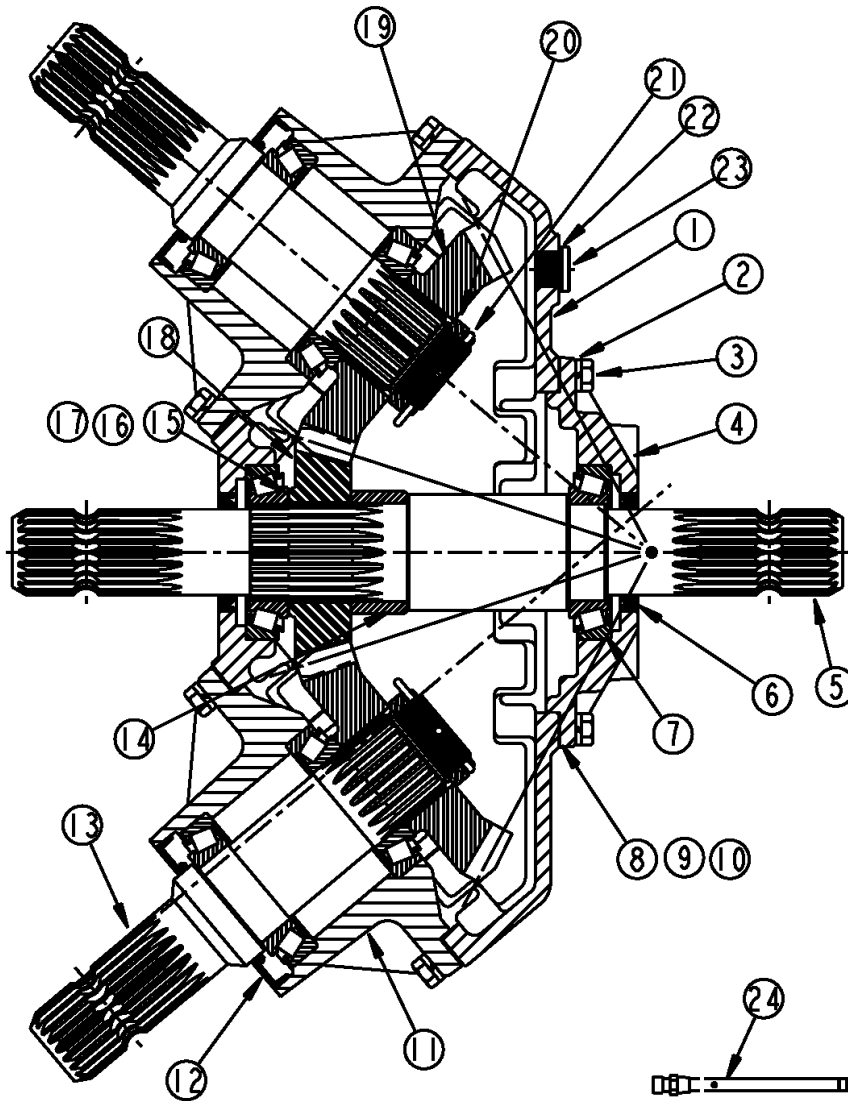
Ref	Part No.	Part Description	Comments	Revision
	Dwg 72409 826-521C	Image No. DIV BOX COMER 1000RPM 1 3/4-20 *		
1.	8.1.1.00109	CO BOLT M10 X 35 8.8		
2.	0.305.1300.00	TOP COVER PLATE		
3.	8.0.9.00143	CO BEARING 30209 RTA25		
4.	8.5.2.01772	CO SNAP RING		
5.	8.7.3.00331	CO OIL SEAL 45 X 85 X 10		
6.	0.305.0300.01	CO CASING		
7.	0.709.7500.00	CO SHIM 84.7		
8.	A.305.501	CO TRIAD GEAR Z20-Z24-Z24 M6.5		
9.	0.305.3000.00	CO SHAFT 1" 3/4 Z20		
10.	0.305.2000.00	CO SHAFT 1" 3/4 Z20		
11.	A.305.501	CO TRIAD GEAR Z20-Z24-Z24 M6.5		
12.	8.6.6.00201	CO PLUG 3/8 GAS		
13.	826-848C	COMER 0.340.7101.00 DIPSTICK		
14.	A.305.501	CO TRIAD GEAR Z20-Z24-Z24 M6.5	Contains 2 of gear #8 and 1 of gear #11	
		*		
		Notes: Oil Type 80-90W Capacity 5.5 Pints		

Gearbox Divider 1000 RPM (826-521C) ITG

Applies to RCLM4710, RCM4710



VISUAL AID FOR PARTS



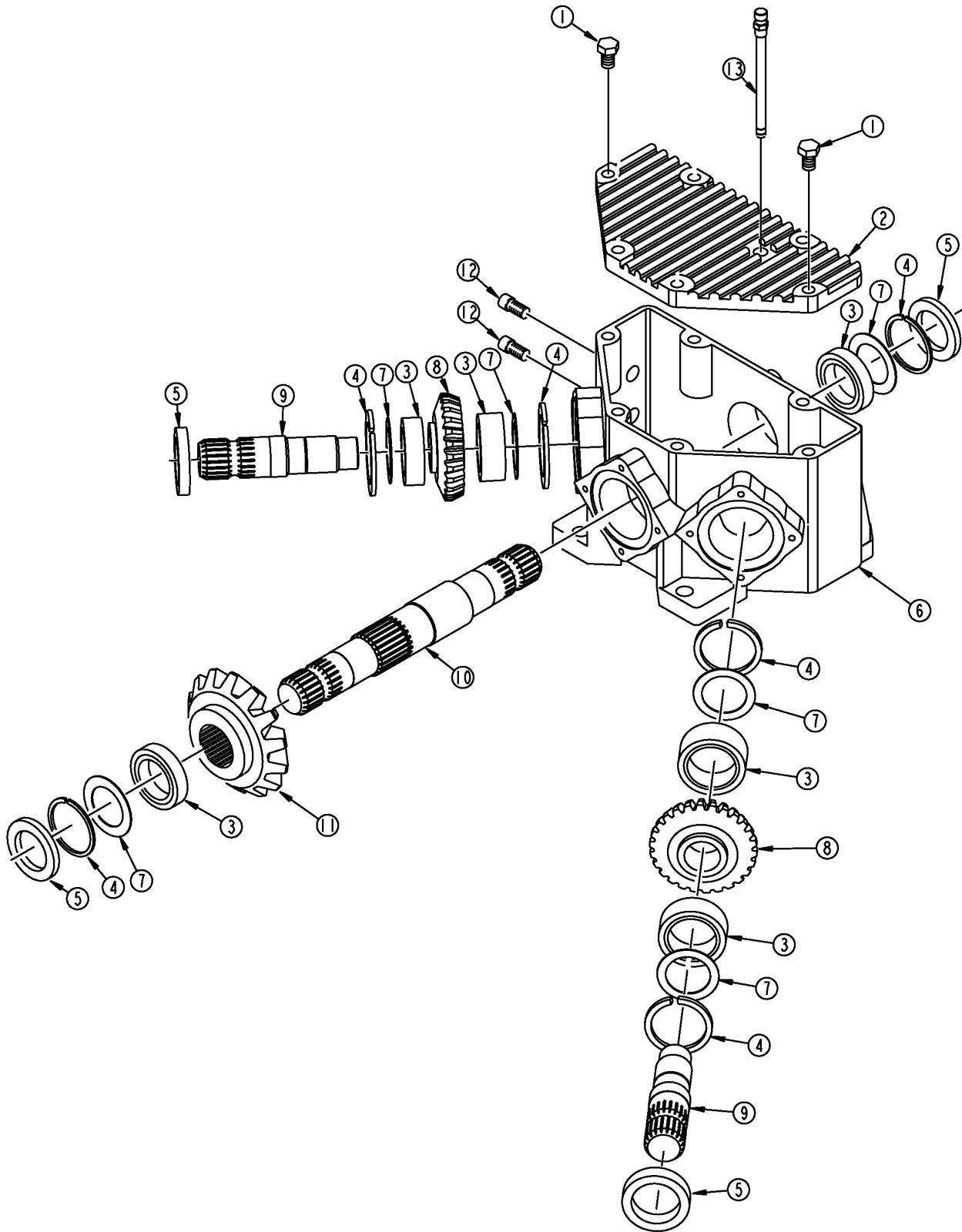
72413

Gearbox Divider 1000 RPM (826-521C) ITG**Applies to RCLM4710, RCM4710**

Ref	Part No.	Part Description	Comments	Revision
	Dwg 72413 826-521C	Image No. DIV BOX ITG 1000RPM 1 3/4-20 *		
1.	18-059	ITG HOUSING		
2.	804-158C	WASHER SPRING LOCK M10 PLT		
3.	06-003	ITG M10 X 1.5 X 30 CAP SCREW		
4.	20-019	ITG INPUT CAP SPLITTER BOX		
5.	02-038	ITG INPUT SHAFT		
6.	05-007	ITG INPUT SHAFT OIL SEAL		
7.	04-011	ITG BRG ASSEMBLY		
8.	08-006	ITG INPUT CAP GASKET 0.10MM		
9.	08-007	ITG INPUT CAP GASKET 0.25MM		
10.	08-008	ITG IN & OUT CAP GASKET 0.45MM		
11.	20-018	ITG HORIZONTAL HUB CAP	Obsolete	
12.	05-012B	ITG OUTPUT SEAL 58X95X10 THK		
13.	02-039	ITG OUTPUT SHAFT		
14.	10-001	ITG SPACER		
15.	17-002	ITG SHIM 0.3		
16.	17-001	ITG SHIM 0.4		
17.	17-003	ITG SHIM 0.5		
18.	03-126	19 TOOTH GEAR		
19.	03-127	ITG 23 TOOTH GEAR		
20.	11-012	ITG BRG ADJ. NUT		
21.	12-008	ITG COTTER PIN		
22.	07-022	ITG SEALING WASHER		
23.	09-013	ITG DRAIN PLUG		
24.	16-110	ITG M18X1.5 DIP STICK BREATHER *		
Notes: Oil Type 80-90W Capacity 5.5 Pints				

Gearbox Divider 540 RPM (826-520C) Comer

Applies to RC4710, RCL4710



72418

Gearbox Divider 540 RPM (826-520C) Comer**Applies to RC4710, RCL4710**

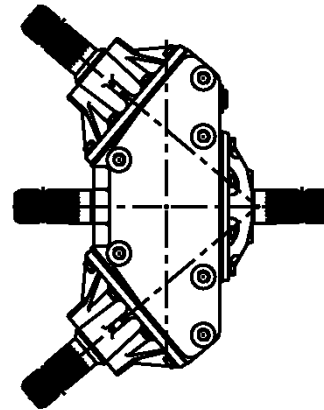
Ref	Part No.	Part Description	Comments	Revision
	Dwg 72418 826-520C	Image No. DIV BOX 540RPM 1 3/4-20 *		
1.	8.1.1.00109	CO BOLT M10 X 35 8.8		
2.	0.305.1300.00	TOP COVER PLATE		
3.	8.0.9.00143	CO BEARING 30209 RTA25		
4.	8.5.2.01772	CO SNAP RING		
5.	8.7.3.00331	CO OIL SEAL 45 X 85 X 10		
6.	0.305.0300.01	CO CASING		
7.	A.709.500	COMER SHIM KIT		
8.	A.305.500	CO TRIAD GEAR Z20-Z20-Z24 M6.5		
9.	0.305.3000.00	CO SHAFT 1" 3/4 Z20		
10.	0.305.2000.00	CO SHAFT 1" 3/4 Z20		
11.	A.305.500	CO TRIAD GEAR Z20-Z20-Z24 M6.5		
12.	8.6.6.00201	CO PLUG 3/8 GAS		
13.	826-848C	COMER 0.340.7101.00 DIPSTICK		
14.	A.305.500	CO TRIAD GEAR Z20-Z20-Z24 M6.5	Contains 2 of gear #8 and 1 of gear #11	

*

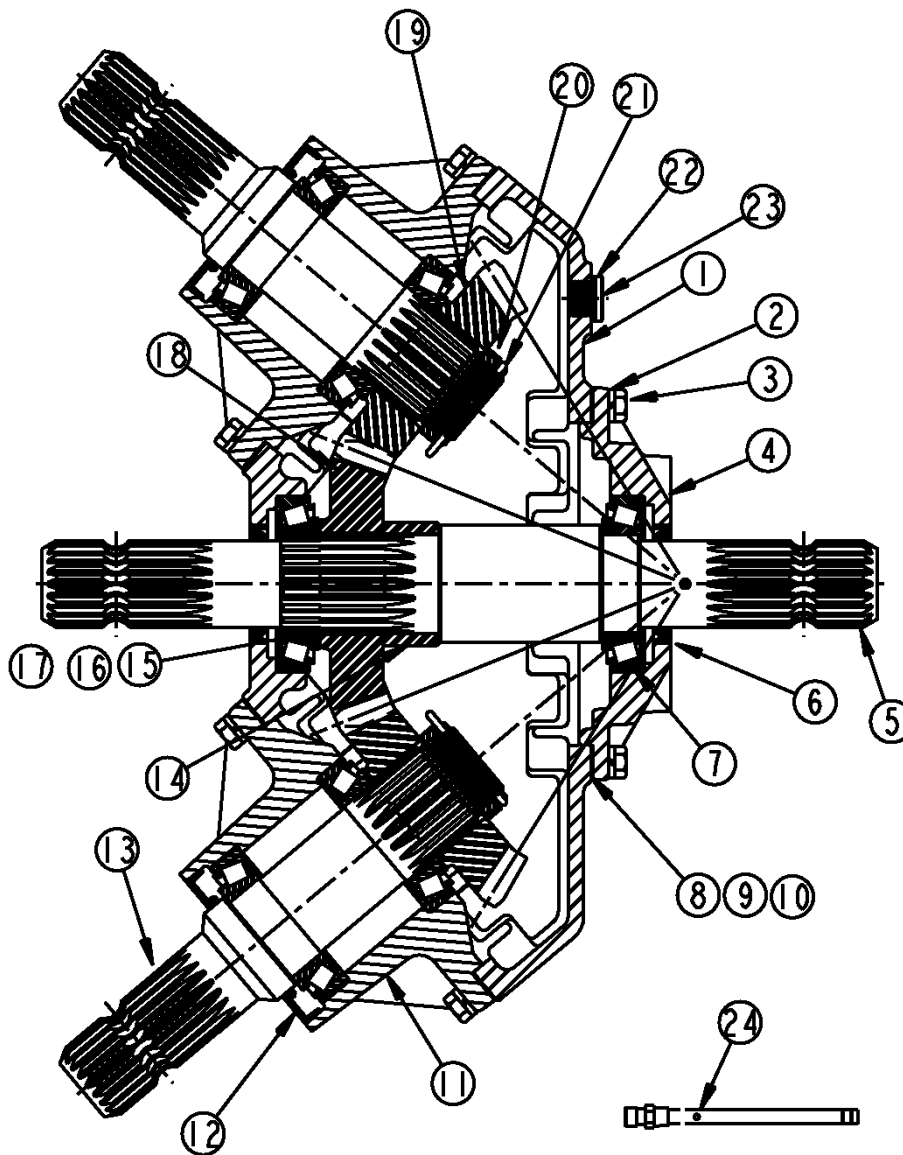
Notes: Oil Type 80-90W Capacity 5.5 Pints

Gearbox Divider 540 RPM (826-520C) ITG

Applies to RC4710, RCL4710



VISUAL AID FOR PARTS



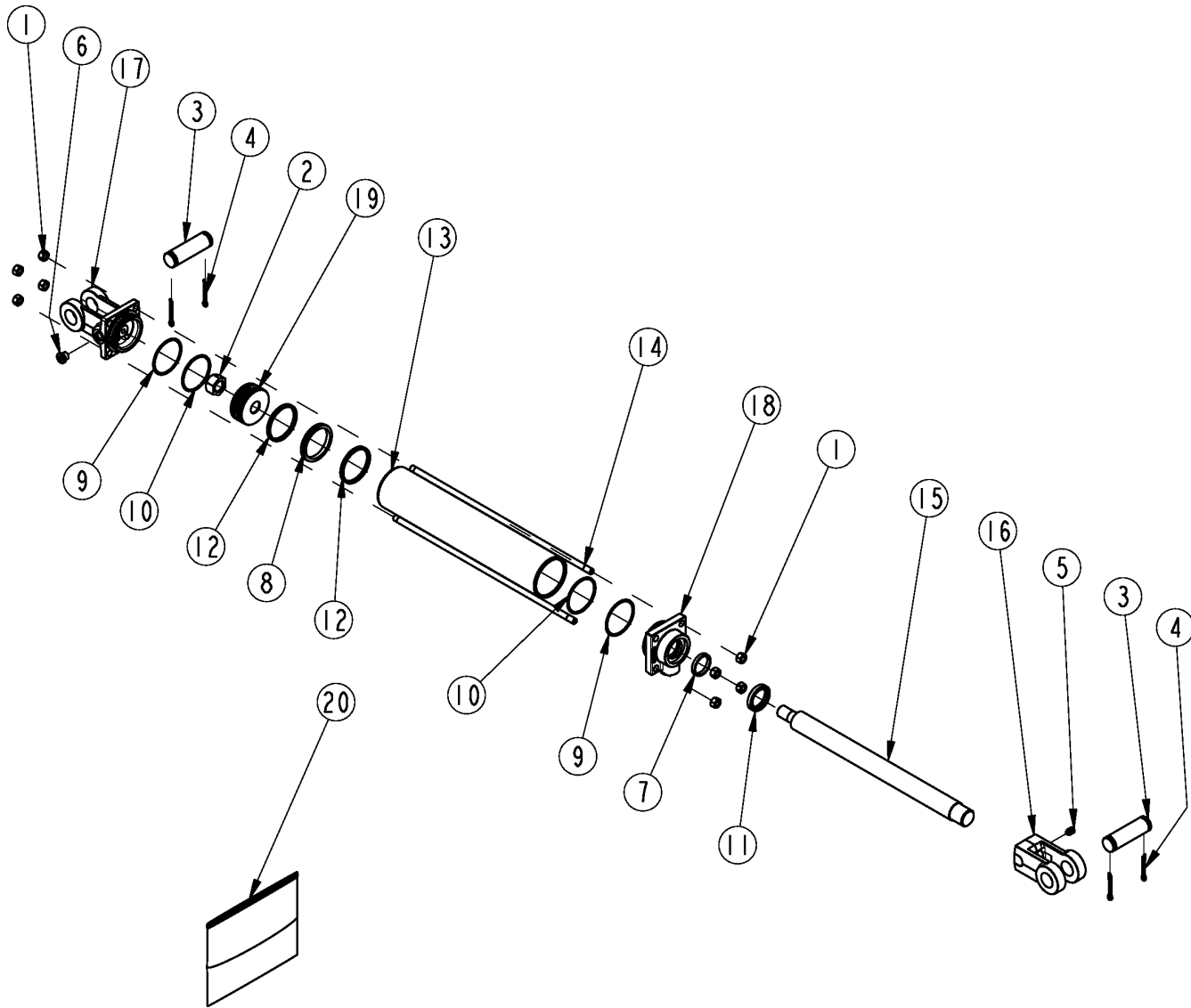
72424

Gearbox Divider 540 RPM (826-520C) ITG**Applies to RC4710, RCL4710**

Ref	Part No.	Part Description	Comments	Revision
	Dwg 72424 826-520C	Image No. DIV BOX 540RPM 1 3/4-20 *		
1.	18-059	ITG HOUSING		
2.	804-158C	WASHER SPRING LOCK M10 PLT		
3.	06-003	ITG M10 X 1.5 X 30 CAP SCREW		
4.	20-019	ITG INPUT CAP SPLITTER BOX		
5.	02-038	ITG INPUT SHAFT		
6.	05-007	ITG INPUT SHAFT OIL SEAL		
7.	04-011	ITG BRG ASSEMBLY		
8.	08-006	ITG INPUT CAP GASKET 0.10MM		
9.	08-007	ITG INPUT CAP GASKET 0.25MM		
10.	08-008	ITG IN & OUT CAP GASKET 0.45MM		
11.	20-018	ITG HORIZONTAL HUB CAP	Obsolete	
12.	05-012B	ITG OUTPUT SEAL 58X95X10 THK		
13.	02-039	ITG OUTPUT SHAFT		
14.	10-001	ITG SPACER		
15.	17-002	ITG SHIM 0.3		
16.	17-001	ITG SHIM 0.4		
17.	17-003	ITG SHIM 0.5		
18.	03-127	ITG 23 TOOTH GEAR		
19.	03-126	19 TOOTH GEAR		
20.	11-012	ITG BRG ADJ. NUT		
21.	12-008	ITG COTTER PIN		
22.	07-022	ITG SEALING WASHER		
23.	09-013	ITG DRAIN PLUG		
24.	16-110	ITG M18X1.5 DIP STICK BREATHER *		
Notes: Oil Type 80-90W Capacity 5.5 Pints				

Hydraulic Cylinder (810-150C) Red Lion

Applies to RC4710, RCL4710, RCLM4710, RCM4710



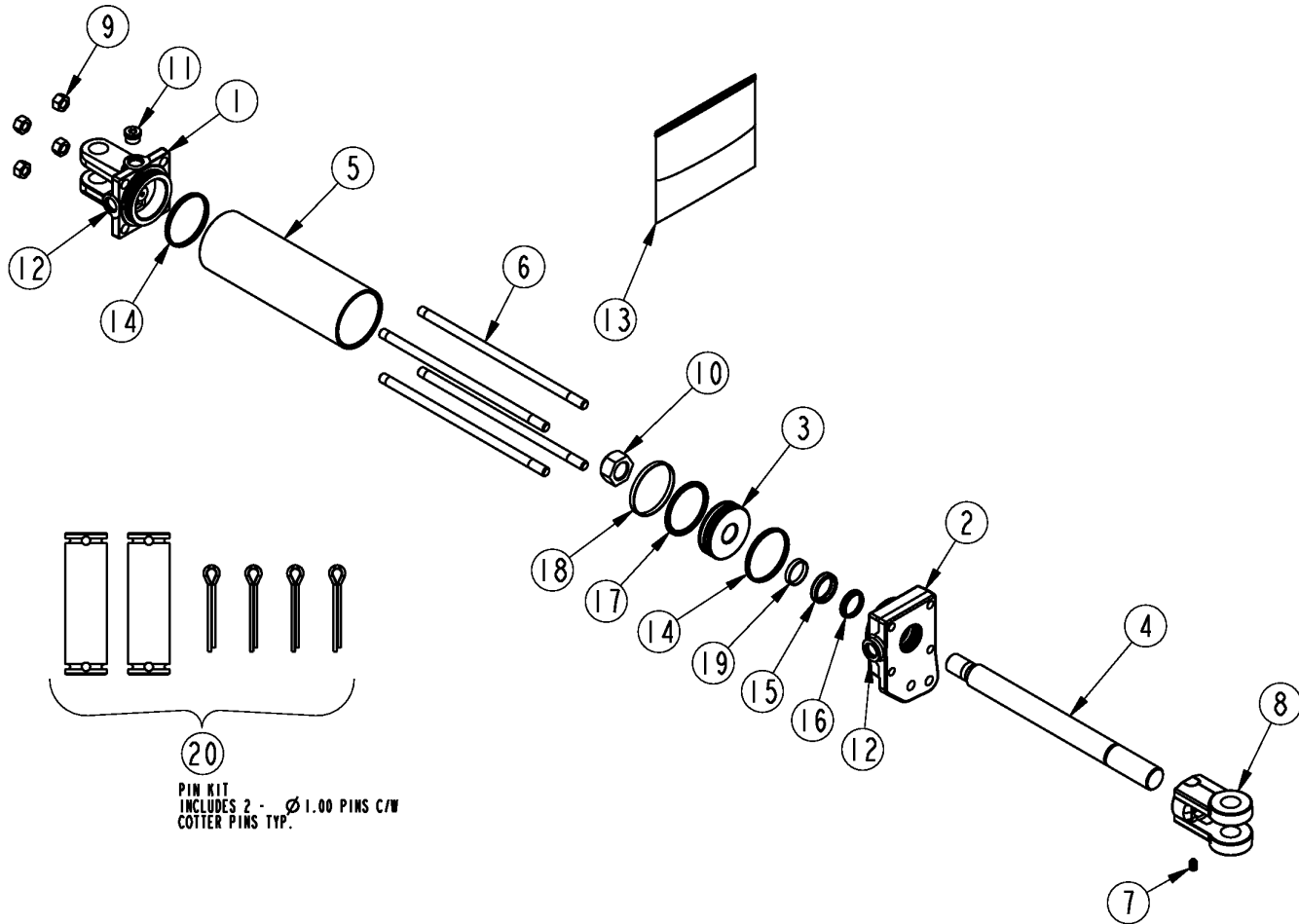
25899

Hydraulic Cylinder (810-150C) Red Lion**Applies to RC4710, RCL4710, RCLM4710, RCM4710**

Ref	Part No.	Part Description	Comments	Revision
	Dwg 25899 810-150C	Image No. CYL 2.5X12X1.25 ROD (TIE ROD) *		
1.	803-014C	NUT HEX 3/8-16 PLT		
2.	130556	MON PISTON NUT		
3.	134953	LION PIN		
4.	135995	MON CLEVIS PIN COTTER		
5.	801-023C	SCREW SET SH 3/8-16X3/8 TYPE C		
6.	186561	PLUG 9/16-18UNF MORB SOCKET HD		
7.	N/A	MON ROD SEAL	Only Found in Kit #20	
8.	N/A	MON PISTON SEAL	Only Found in Kit #20	
9.	N/A	MON END CAP BACKUP WASHERS	Only Found in Kit #20	
10.	N/A	MON END CAP O-RING	Only Found in Kit #20	
11.	N/A	SEAL WIPER ROD	Only Found in Kit #20	
12.	N/A	MON PISTON WEAR RING	Only Found in Kit #20	
13.	491672	LION CYL TUBE 2.5 X 12		
14.	492222	LION TIE ROD 3/8, 12 CYL		
15.	492647	LION ROD 1.25 X 12		
16.	492650	LION ROD CLEVIS 1 1/8-12UNF		
17.	492688	LION CLEVIS CAP 2.5, 9/16 ORB		
18.	494286	MON ROD CAP3.5-1.25-3/4ORB-TSS		
19.	258818	MON PISTON2.50-.750-TSS-ISO-WR		
20.	810-886C	MON SEAL KIT 661701		

Hydraulic Cylinder (850-217C) Monarch

Applies to RC4710, RCL4710, RCLM4710, RCM4710

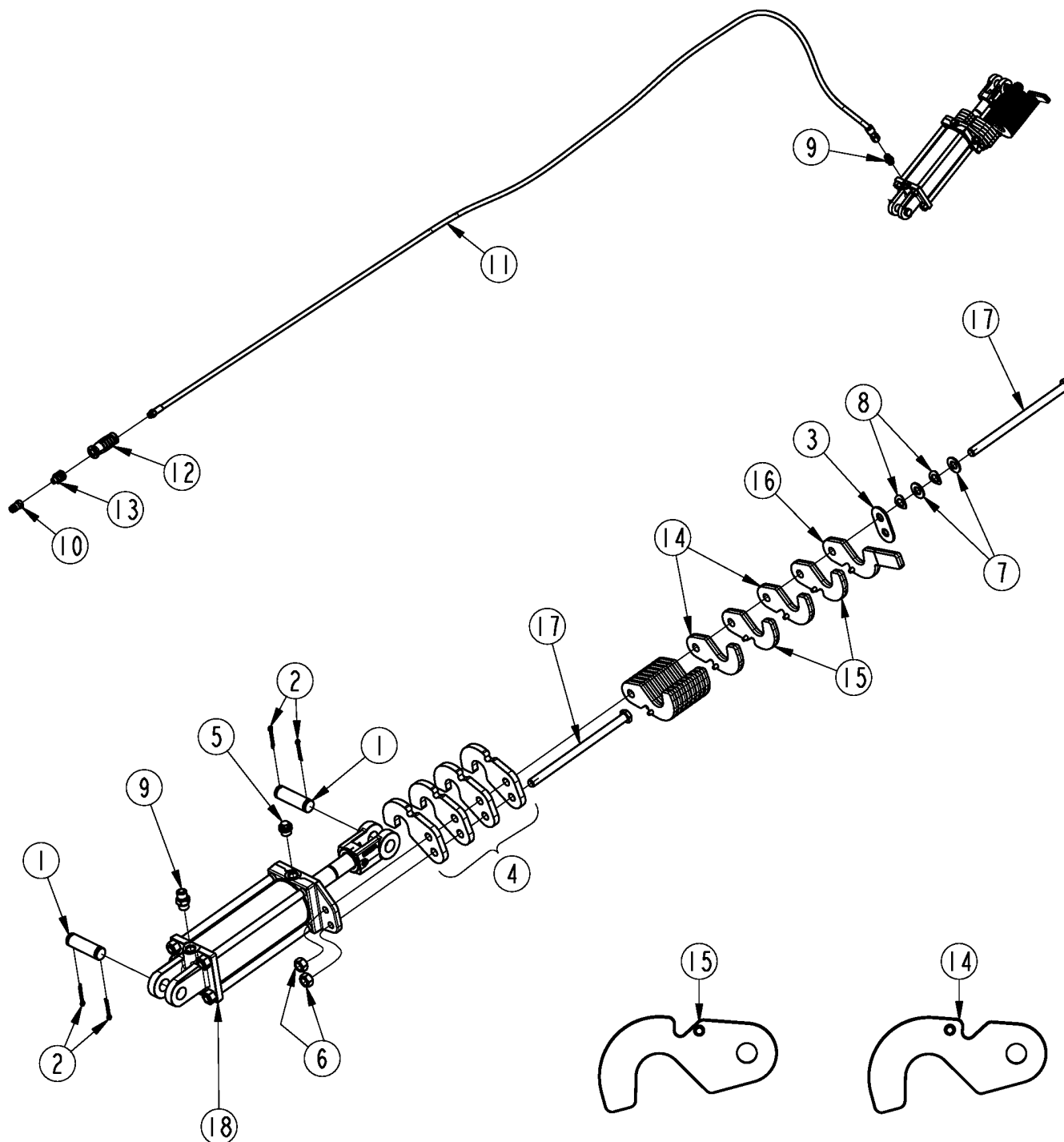


Hydraulic Cylinder (850-217C) Monarch**Applies to RC4710, RCL4710, RCLM4710, RCM4710**

Ref	Part No.	Part Description	Comments	Revision
	Dwg 72348 850-217C	Image No. CYL 3.0X8X1.25 ROD TIE W/MNT *		
1.	498318	MON CLVS CAP 3.00-3/4ORB-1.0-S		
2.	292614	ROD CAP 3.00-1.25-3/4ORB W/LUG		
3.	258821	MON PISTON 3.00-1.0-TSS-ISO-WR		
4.	492700	LION ROD 1.25 DIA. ASAE 8		
5.	491738	MON CYL TUBE		
6.	292018	MON TIE ROD 1/2-08-S		
7.	148000	MON SET SCREW 3/8INC ONE PIECE		
8.	492652	LION ROD CLEVIS 1 1/4 (1PIN)		
9.	128250	RPBY 803-020C		
10.	130560	MON PISTON NUT		
11.	186562	LION PLUG 3/4-16UNF SOCKET HD		
12.	174136	MON THD PROT 3/4-16UN ORB ZINC		
13.	649206	MON SEAL KIT RK30WR-125 TSS		
14.	199139	MON SEAL DUAL 3.00		
15.	194016	MON SEAL ZURCON U-CUP RU9 1.25		
16.	199157	MON SEAL WIPER 1.25 WNUC TSS		
17.	197064	MON SEAL ZURCON WYNSEAL 3.00		
18.	190186	MON WEAR RING 3.00-2.88-0.250		
19.	190131	MON WEAR RING 1.37-1.25-0.250		
20.	235005	MON PIN KIT 1.00C/W COTTER PIN		

Lift Hydraulics

Applies to RC4710, RCL4710, RCLM4710, RCM4710



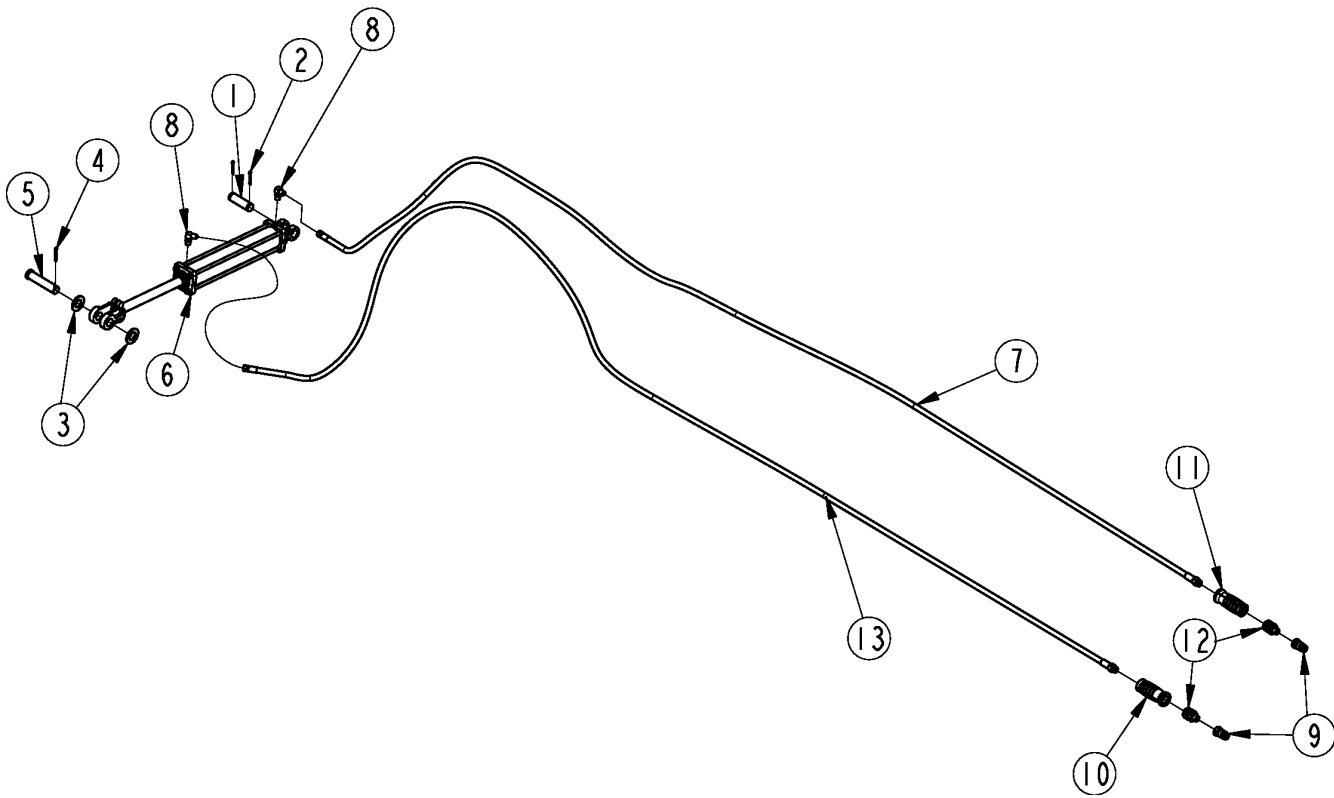
72375

Lift Hydraulics**Applies to RC4710, RCL4710, RCLM4710, RCM4710**

Ref	Part No.	Part Description	Comments	Revision
	Dwg 72375	Image No.		
1.	134953	LION PIN		
2.	135995	MON CLEVIS PIN COTTER		
3.	331-614D	SPACER RETAINER		
4.	331-735D	FIXED STROKE SPACER		
5.	800-306C	FILL PLUG VENTED 3/4-16 PLT		
6.	803-024C	NUT LOCK 5/8-11 PLT		
7.	804-021C	WASHER FLAT 5/8 SAE PLT		
8.	804-297C	WASHER WAVE M16		
9.	811-088C	AD 3/4MORB 3/4MJIC		
10.	811-394C	CP 3/4FORB MALE QD POPPET TYPE		
11.	811-786C	HH3/8R1 190 3/4MORB 3/4FJIC		
12.	811-826C	HG HANDLE - BLACK EXT		
13.	811-919C	AD 3/4MORB 3/4FORB (HG)		
14.	812-554C	FLIP SPACER		
15.	812-555C	FLIP SPACER		
16.	812-556C	FLIP SPACER WITH HANDLE		
17.	842-486C	HHCS 5/8-11X10 1/2 GR5		
18.	850-217C	CYL 3.0X8X1.25 ROD TIE W/MNT		

Wing Fold Dual Acting Cylinder

Applies to RC4710, RCL4710, RCLM4710, RCM4710



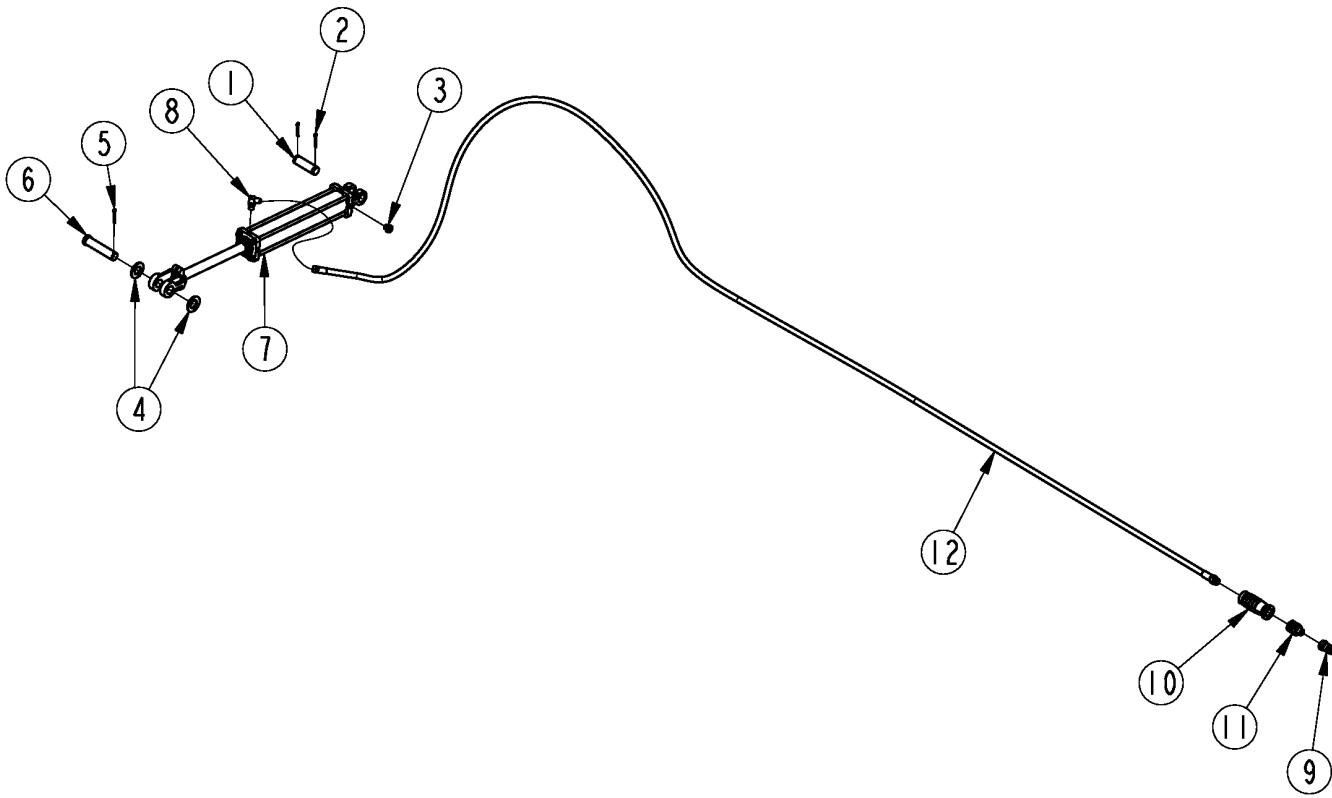
72685

Wing Fold Dual Acting Cylinder**Applies to RC4710, RCL4710, RCLM4710, RCM4710**

Ref	Part No.	Part Description	Comments	Revision
	Dwg 72685	Image No.		
1.	134953	LION PIN		
2.	135995	MON CLEVIS PIN COTTER		
3.	804-029C	WASHER FLAT 1 SAE		
4.	805-104C	PIN COTTER 3/16 X 1 1/2 PLT		
5.	805-493C	PIN CLVS 1.0X4.20 USBL		
6.	810-150C	CYL 2.5X12X1.25 ROD (TIE ROD)		
7.	811-238C	HH3/8R1 189 9/16FJIC 3/4MORB		
8.	811-337C	OREL 1/16 9/16MJIC 9/16MORB		
9.	811-394C	CP 3/4FORB MALE QD POPPET TYPE		
10.	811-827C	HG HANDLE - RED RET	RC(M) models only	
10.	811-918C	HG HANDLE - YELLOW RET	RCL(M) models only	
11.	811-914C	HG HANDLE - RED EXT	RC(M) models only	
11.	811-917C	HG HANDLE - YELLOW EXT	RCL(M) models only	
12.	811-919C	AD 3/4MORB 3/4FORB (HG)		
13.	851-167C	HH3/8R1 208 3/4MORB 9/16FJIC		

Wing Fold Single Acting Cylinder

Applies to RC4710, RCL4710, RCLM4710, RCM4710



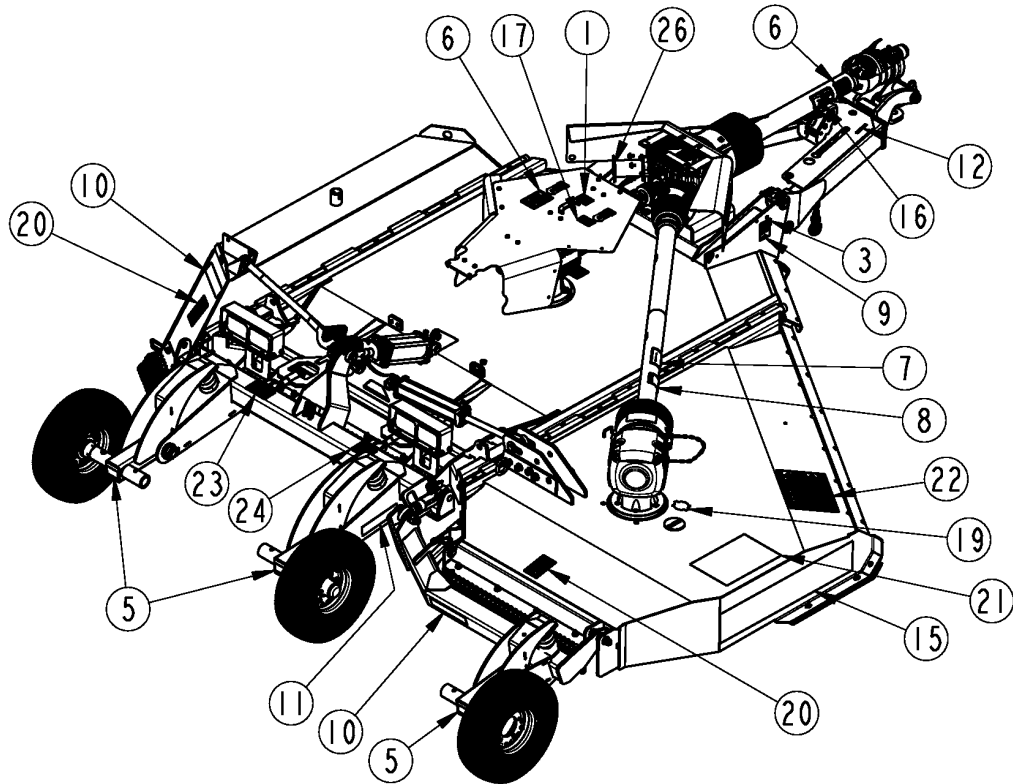
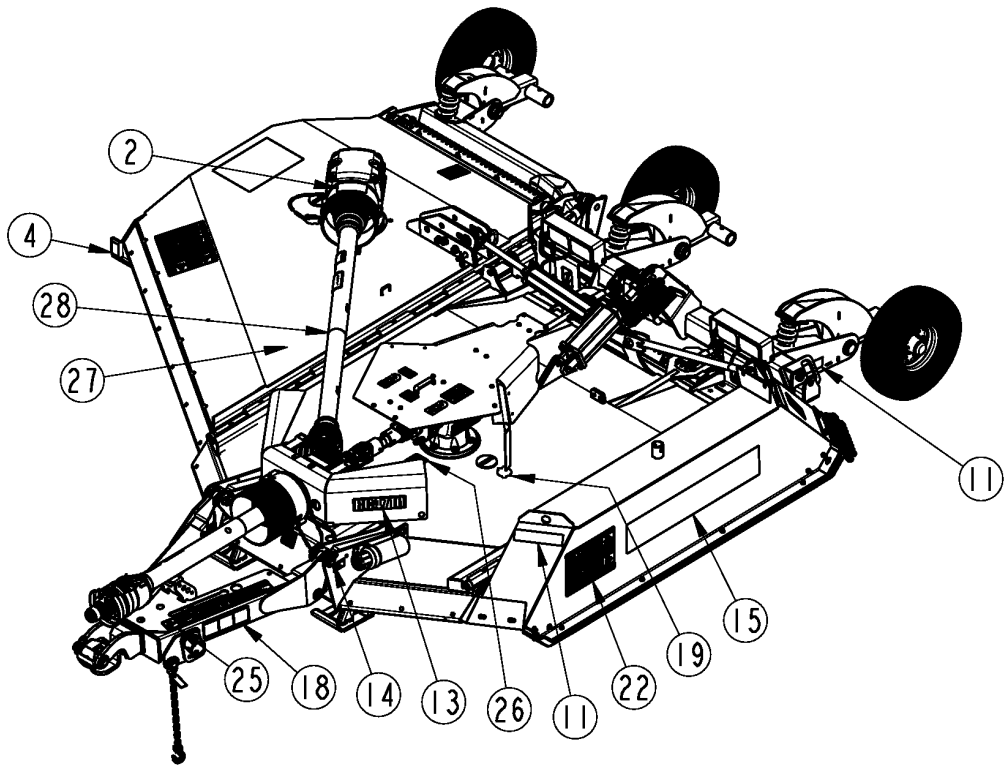
72672

Wing Fold Single Acting Cylinder**Applies to RC4710, RCL4710, RCLM4710, RCM4710**

Ref	Part No.	Part Description	Comments	Revision
	Dwg 72672	Image No.		
1.	134953	LION PIN		
2.	135995	MON CLEVIS PIN COTTER		
3.	800-117C	VENT PLUG - 9/16-18 PLATED		
4.	804-029C	WASHER FLAT 1 SAE		
5.	805-104C	PIN COTTER 3/16 X 1 1/2 PLT		
6.	805-493C	PIN CLVS 1.0X4.20 USBL		
7.	810-150C	CYL 2.5X12X1.25 ROD (TIE ROD)		
8.	811-337C	OREL 1/16 9/16MJIC 9/16MORB		
9.	811-394C	CP 3/4FORB MALE QD POPPET TYPE		
10.	811-827C	HG HANDLE - RED RET	RC(M) models	
10.	811-918C	HG HANDLE - YELLOW RET	RCL(M) models	
11.	811-919C	AD 3/4MORB 3/4FORB (HG)		
12.	851-167C	HH3/8R1 208 3/4MORB 9/16FJIC		

Decal Placement

Applies to RC4710, RCL4710, RCLM4710, RCM4710



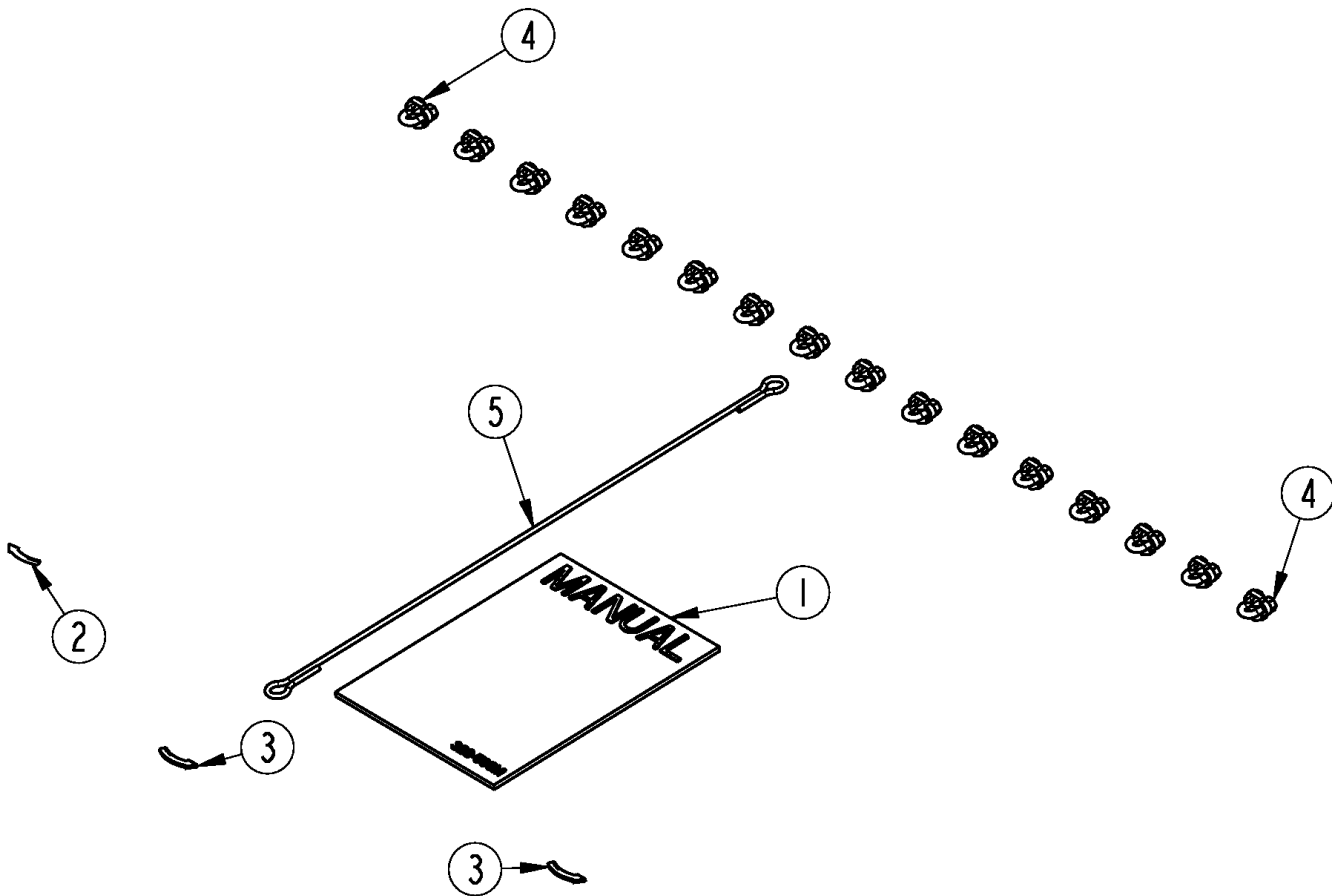
72757

Decal Placement**Applies to RC4710, RCL4710, RCLM4710, RCM4710**

Ref	Part No.	Part Description	Comments	Revision
	Dwg 72757	Image No.		
1.	818-130C	DECAL WARNING 540 RPM	RC & RCL models only	
1.	818-240C	DECAL WARNING 1000 RPM	RCM & RCLM models only	
2.	818-142C	DECAL DANGER PTO DRIVELINE EN		
3.	N/A			
4.	818-229C	DECAL AMBER REFLECTOR		
5.	818-230C	DECAL RED REFLECTOR		
6.	818-552C	DECAL DANGER PTO DRIVELINE		
7.	818-679C	DECAL DRIVELINE 826-185C		
8.	818-680C	DECAL IMPORTANT - SLIP CLUTCH		
9.	819-036C	I.D. PLATE - LAND PRIDE		
10.	838-614C	DECAL REFLECTOR RED 2X9		
11.	838-615C	DECAL REFLECTOR AMBER 2X9		
12.	844-031C	DECAL, PROP65 VINYL		
13.	844-049C	DECAL, RC4710	RC & RCL models only	
13.	844-050C	DECAL, RCM4710	RCM & RCLM models only	
14.	844-074C	CUTTER PATENT DECAL		
15.	848-122C	DECAL LANDPRIDE 34" TAN/BROWN		
16.	848-465C	DECAL DRIVELINE 826-643C		
17.	848-872C	DECAL 7 YEAR GEARBOX WARRANTY		
18.	858-381C	DECAL JACK ADJUSTMENT		
19.	858-917C	DECAL CW BLADE ROTATION	RC(M) models only	
19.	858-918C	DECAL CCW BLADE ROTATION	RCL(M) models only	
20.	858-947C	DECAL DANGER ROTATE BLADE		
21.	858-948C	DECAL, 7-SERIES		
22.	858-949C	DECAL CUTTER SAFETY COMBO		
23.	858-950C	DECAL, CUTTER PINCH POINT		
24.	858-951C	DECAL, CYLINDER LOCKS		
25.	858-954C	DECAL, SAFETY COMBO, TONGUE		
26.	858-956C	DECAL, GUARD MISSING		
27.	858-966C	DECAL, LANDPRIDE.COM	Underside of wing deck	
28.	818-540C	DECAL, DANGER GUARD MISS PTO	Covered by driveline guards	

Australian Cable Kit

Applies to RC4710, RCL4710, RCLM4710, RCM4710



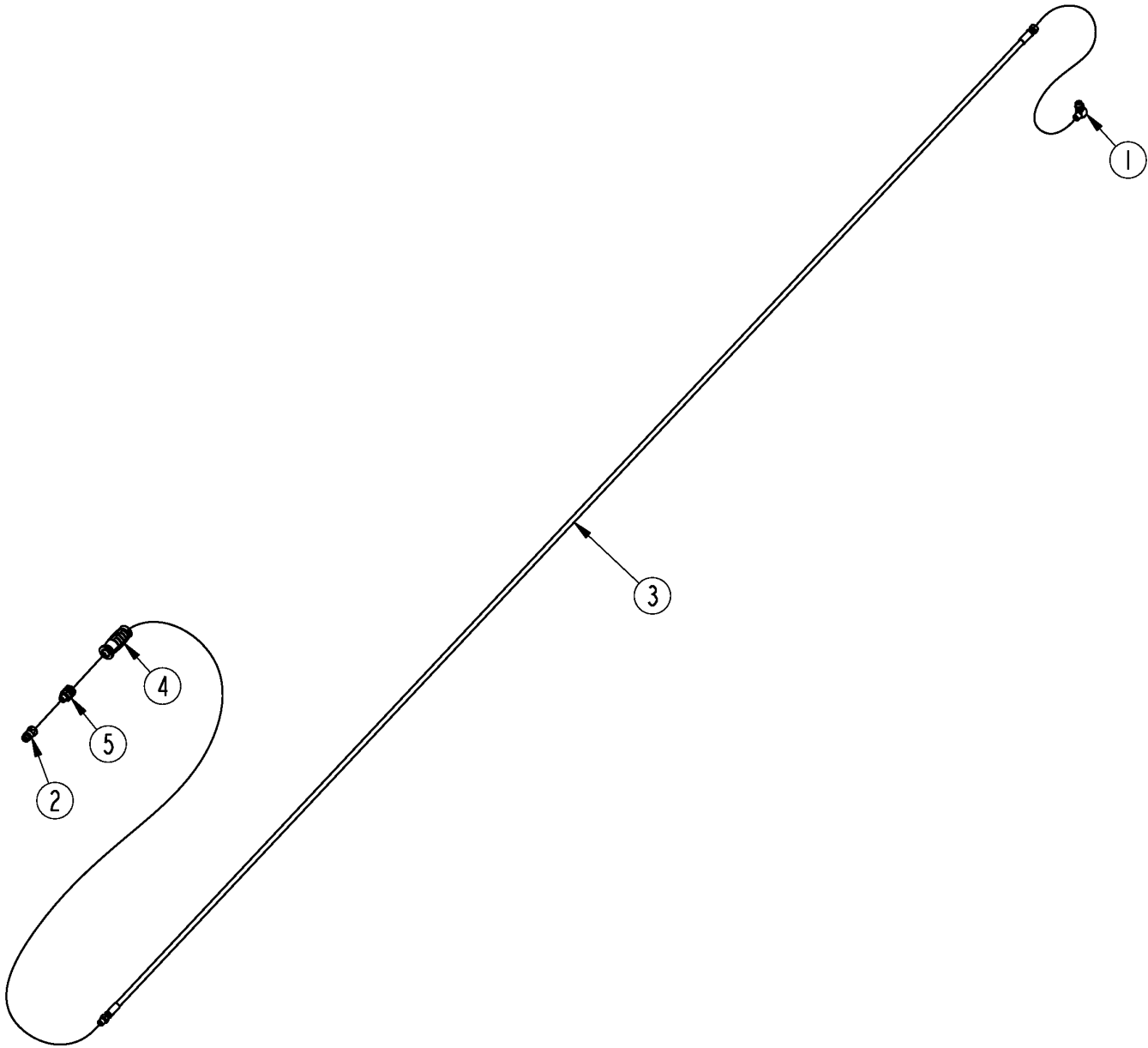
Australian Cable Kit

Applies to RC4710, RCL4710, RCLM4710, RCM4710

Ref	Part No.	Part Description	Comments	Revision
	Dwg 72432	Image No.		
	326-597A	AUST 50' CABLE KIT W/16 CLAMPS *		
1.	326-593M	MANUAL AUSTRALIA GRD EXT KIT		
2.	838-374C	DECAL ROTATION ARROW CW		
3.	838-412C	DECAL ROTATION ARROW CCW		
4.	890-672C	U-BOLT WIRE ROPE CLP 3/16 GAL.		
5.	990-208R	AIRCRAFT CBL.3/16 7X7 GALV.		

Dual Acting Lift Kit

Applies to RC4710, RCL4710, RCLM4710, RCM4710



72335

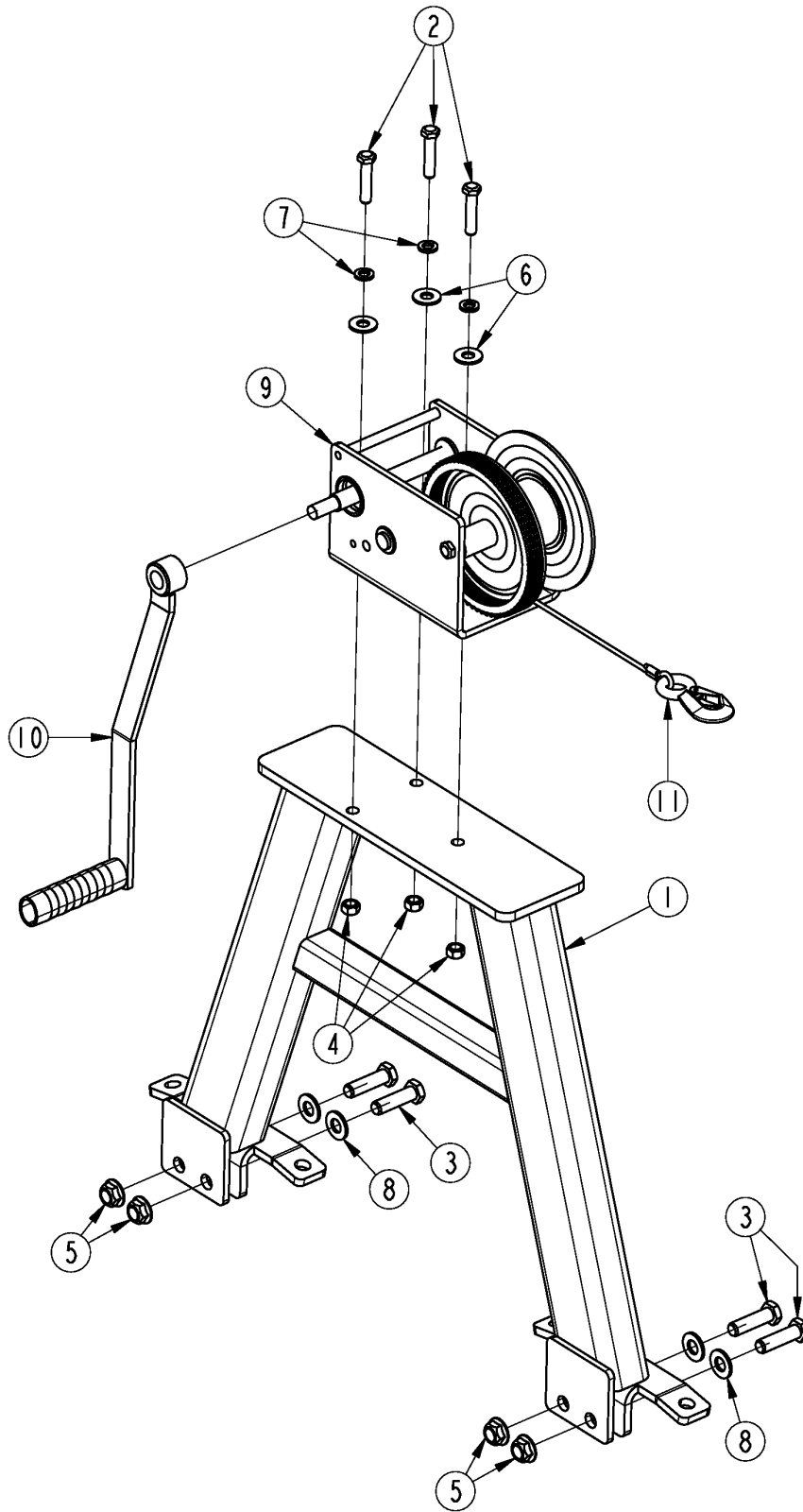
Dual Acting Lift Kit

Applies to RC4710, RCL4710, RCLM4710, RCM4710

Ref	Part No.	Part Description	Comments	Revision
	Dwg 72335 334-927A	Image No. DUAL ACTING LIFT CYLINDER KIT *		
1.	811-063C	EL 3/4MJIC 3/4MORB		
2.	811-394C	CP 3/4FORB MALE QD POPPET TYPE		
3.	811-881C	HH3/8R2 198 3/4MORB 3/4FJIC		
4.	811-913C	HG HANDLE - BLACK RET		
5.	811-919C	AD 3/4MORB 3/4FORB (HG)		

Mechanical Winch

Applies to RC4710, RCL4710, RCLM4710, RCM4710



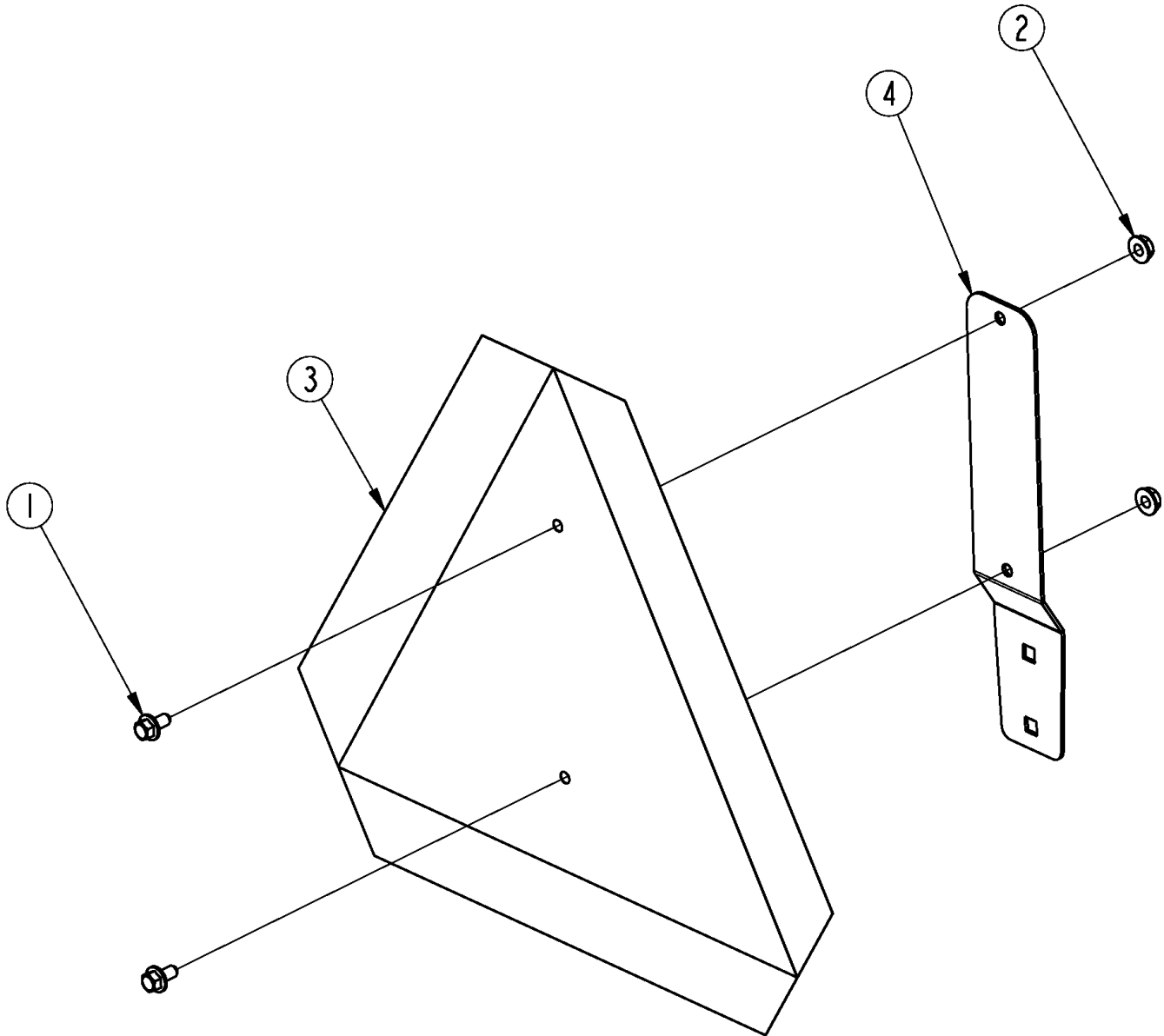
72426

Mechanical Winch**Applies to RC4710, RCL4710, RCLM4710, RCM4710**

Ref	Part No.	Part Description	Comments	Revision
	Dwg 72426 334-014A	Image No. MECHANICAL WINCH *	Complete Assembly	
1.	334-015H	MECHANICAL WINCH PEDESTAL		
2.	802-023C	HHCS 3/8-16X1 3/4 GR5		
3.	802-082C	HHCS 1/2-13X1 3/4 GR5 FTHD		
4.	803-013C	NUT LOCK 3/8-16 PLT		
5.	803-169C	NUT HEX FLG LOCK 1/2-13 PLT		
6.	804-011C	WASHER FLAT 3/8 USS PLT		
7.	804-013C	WASHER LOCK SPRING 3/8 PLT		
8.	804-016C	WASHER FLAT 1/2 SAE PLT		
9.	890-671C	BRAKE WINCH DLB2000	Includes sprockets and hardware	
10.	890-679C	WINCH HANDLE 12" DBL2000		
11.	890-680C	WINCH CABLE AND HOOK		

SMV Sign

Applies to RC4710, RCL4710, RCLM4710, RCM4710



37482

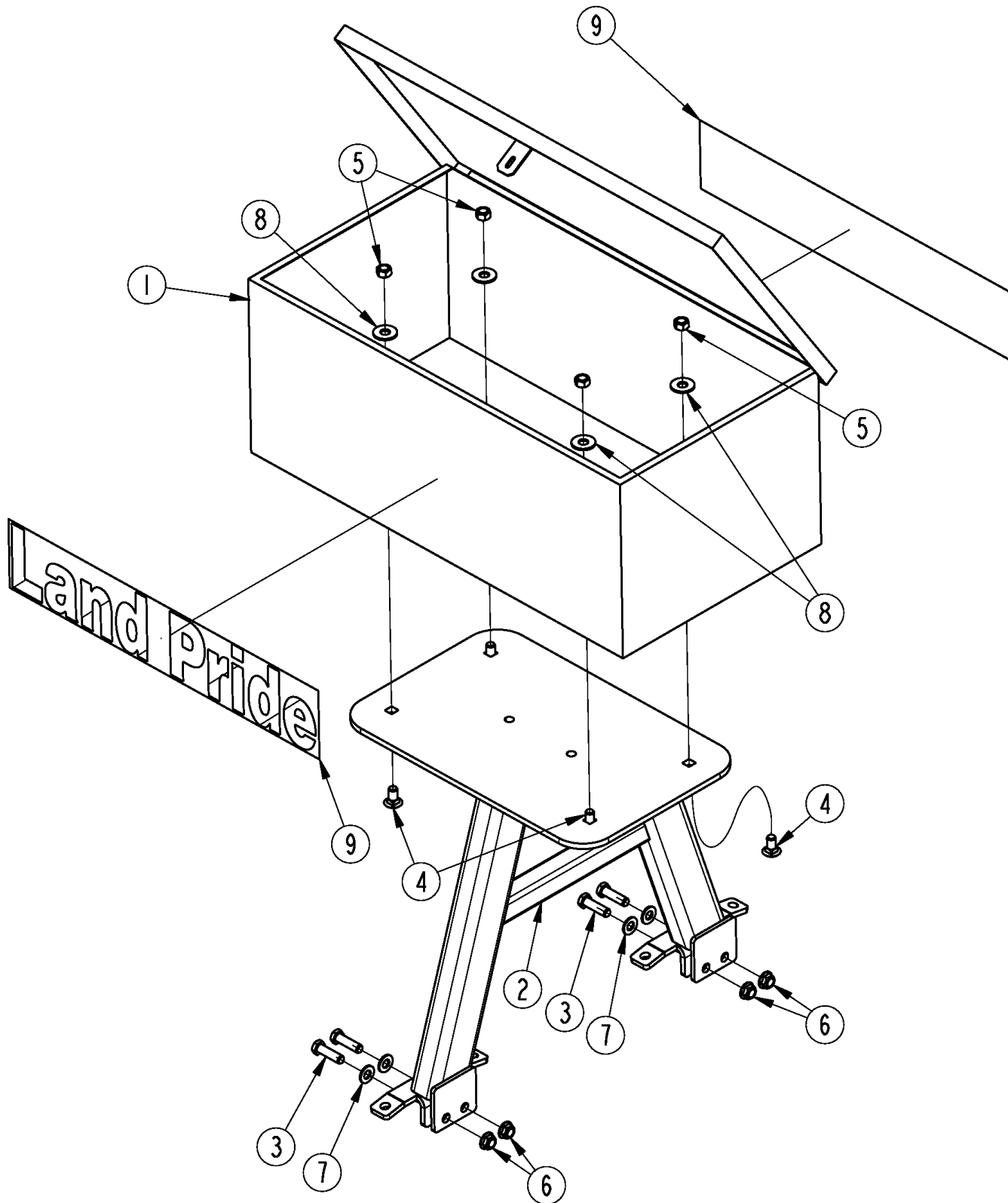
SMV Sign

Applies to RC4710, RCL4710, RCLM4710, RCM4710

Ref	Part No.	Part Description	Comments	Revision
	Dwg 37482 316-362S	Image No. SMV SIGN *	Contains 1, 2, 3, and 4	
1.	802-148C	HFSS 1/4-20X1/2 GR5		
2.	803-230C	NUT HEX FLANGE 1/4-20 PLT		
3.	818-055C	DECAL SLOW MOVING-GALV. BACKED		
4.	890-153C	SMV MOUNTING BLADE		

Toolbox

Applies to RC4710, RCL4710, RCLM4710, RCM4710



72428

Toolbox

Applies to RC4710, RCL4710, RCLM4710, RCM4710

Ref	Part No.	Part Description	Comments	Revision
	Dwg 72428 334-017A	Image No. TOOLBOX *	Complete Assembly	
1.	330-881S	TOOLBOX WITH HOLES		
2.	334-016H	TOOLBOX PEDESTAL		
3.	802-082C	HHCS 1/2-13X1 3/4 GR5 FTHD		
4.	802-183C	RHSNB 1/2-13X1 GR5		
5.	803-019C	NUT LOCK 1/2-13 PLT		
6.	803-169C	NUT HEX FLG LOCK 1/2-13 PLT		
7.	804-016C	WASHER FLAT 1/2 SAE PLT		
8.	804-017C	WASHER FLAT 1/2 USS PLT		
9.	848-128C	DECAL LANDPRIDE 25-GOLD		



Part Number Index

The Part Number Index is a numeric index of all part numbers included in this manual. The index shows what page(s) the part is used on.

Part Number	Page	Part Number	Page	Part Number	Page	Part Number	Page
0.121.7101.00	87, 89, 91, 93, 95, 97	151.018.242.1	83	326-152D	41	331-959D	43, 45, 47, 49, 51
0.252.7525.00	87, 89, 91, 93, 95, 97	155.150.724	69	326-535D	63, 67	331-974D	13, 15
0.285.7510.00	87, 89, 91, 93, 95, 97	159.280.168	83	326-593M	119	331-979D	13
0.288.7101.00	87, 89, 91, 93, 95, 97	16-110	101, 105	326-597A	119	334-014A	123
0.305.0300.01	99, 103	165.000.548	69, 81, 83	330-195H	33	334-015H	123
0.305.1300.00	99, 103	165.000.589	69, 81, 83	330-563D	25	334-016H	127
0.305.2000.00	99, 103	17-001	101, 105	330-564D	25	334-017A	127
0.305.3000.00	99, 103	17-002	101, 105	330-787D	49	334-046H	27
0.709.7500.00	87, 89, 91, 99	17-003	101, 105	330-881S	127	334-052D	41
0.712.7500.00	87, 89, 91	170.016.630.1	69	330-948D	41	334-053H	7
02-038	101, 105	174136	109	330-966D	35	334-054D	13, 15
02-039	101, 105	18-059	101, 105	330-970H	7	334-062D	37
03-126	101, 105	180.014.022	69, 81, 83	330-975H	25	334-068D	37
03-127	101, 105	180.014.240	81, 83	331-018D	49	334-069D	9
03-15316	71, 73, 75, 77, 79	180.016.780	69, 81	331-022D	49	334-096D	15
03-15570	71, 73, 75, 77, 79	180.018.251	83	331-120H	41	334-150D	15
04-011	101, 105	180.018.252	83	331-121D	13, 15	334-159H	17
05-007	101, 105	180.018.393	83	331-184H	49	334-159H81	17
05-012B	101, 105	180.018.435	83	331-187H	49	334-159H82	17
06-003	101, 105	180.018.581	83	331-204D	17	334-159H83	17
07-022	101, 105	180.019.014	69, 81, 83	331-234D	61, 65	334-159H86	17
08-006	101, 105	180.019.019	69, 81, 83	331-235D	61, 65	334-160H	17
08-007	101, 105	180.019.115	69, 81, 83	331-236D	61, 65	334-160H81	17
08-008	101, 105	180.019.116.1	69, 81, 83	331-237D	63, 67	334-160H82	17
087276	85	180.019.340	69, 81, 83	331-238D	63, 67	334-160H83	17
09-013	101, 105	186561	107	331-239D	63, 67	334-160H86	17
097133	85	186562	109	331-373H	41	334-161H	17
097140	85	19-15121	73, 77	331-507D	7	334-161H81	17
1.181.7101.00	87, 89, 91, 93, 95, 97	19-15135	71, 75, 79	331-543D	27	334-161H82	17
10-001	101, 105	190.000.016	69	331-554H	13, 15	334-161H83	17
107542	85	190.000.032	69	331-555S	11, 13, 15	334-161H86	17
11-012	101, 105	190.000.035	83	331-561H	21	334-162H	17
11-14988	71, 75, 79	190.000.047	69, 83	331-583V	11, 13, 15	334-162H81	17
11-15180	71, 75, 79	190.000.098	81, 83	331-614D	111	334-162H82	17
12-008	101, 105	190.000.099	81, 83	331-622D	41	334-162H83	17
123.386.190.01	83	190.000.243	83	331-626D	41	334-162H86	17
123.486.343.01	83	190.000.271	83	331-670D	21	334-164H	9
125140	85	190.000.903	81	331-671D	21	334-164H81	9
125142	85	190.000.932	83	331-688H	9	334-164H82	9
128250	109	190131	109	331-703D	17	334-164H83	9
13-10021	73, 77	190186	109	331-707H	55	334-164H86	9
13-10022	73, 77	190224	85	331-709H	43, 45, 49, 51	334-165H	9
13-15249	73	194016	109	331-725H	55	334-165H81	9
13-15256	77	197064	109	331-727K	65	334-165H82	9
130556	107	199139	109	331-728K	65	334-165H83	9
130560	109	199157	109	331-729K	65	334-165H86	9
134953	107, 111, 113, 115	20-018	101, 105	331-730K	67	334-223K	41
135995	107, 111, 113, 115	20-019	101, 105	331-731K	67	334-224H	41
141.026.357.1	69, 81	200-001D	57	331-734D	35	334-231S	19
141.028.195.1	83	235005	109	331-734K	67	334-454A	47
142.260.5197621	81	258818	107	331-735D	111	334-460A	25
142.283.2509821	83	258821	109	331-735K	67	334-462A	23
142.286.2519821	83	26-13387	79	331-736K	61	334-468H	21
142.287.2199821	83	26-15120	71, 73, 75, 77	331-737K	61	334-469S	33
146.264.024.1	69, 81	26-16033	71, 73, 75, 77, 79	331-738K	61	334-470A	29
146.284.020.1	83	292018	109	331-739K	63	334-471A	27
148000	109	292614	109	331-740K	63	334-472H	25, 27, 31
150.281.5197810	83	304046	85	331-741K	63	334-474H	23
151.016.037.1	69, 81	316-362S	125	331-742K	63	334-475H	29
151.016.896.1	69	318-141H	11	331-743L	35	334-477H	25
151.018.016.1	83	318-143D	61, 65	331-753A	49	334-480H	25
151.018.228.1	69, 81, 83	318-337D	61, 65	331-755H	49	334-482H	27
151.018.241.1	83	318-477D	61, 65	331-757H	43	334-484H	47
		318-586A	7	331-778H	43	334-486H	47
		318-641D	63, 67	331-781H	43	334-489A	51
		318-695L	17, 41	331-783H	43	334-491H	51
		318-696H	17, 41	331-792H	17	334-495H	51
		318-920S	9, 39	331-839A	65, 67	334-501H	55
		323524	85	331-893D	47, 51, 55	334-511H	45
		325027	85	331-958D	21, 43, 53, 55	334-512A	45

Table of Contents Part Number Index



Part Number Index (continued)

Part Number	Page	Part Number	Page	Part Number	Page	Part Number	Page
334-516H	53	8.6.6.00201	99, 103	803-037C	9, 17, 21, 35, 37, 41, 61, 63, 65, 67	811-088C	111
334-517H	53	8.6.6.02901	87, 89, 91, 93, 95, 97	803-043C	43, 45, 47, 49, 51	811-238C	113
334-565V	57			803-084C	33	811-337C	113, 115
334-566S	43, 45, 47, 49, 51, 53, 55, 57	8.7.1.02349	87, 89, 91, 93, 95, 97	803-111C	47, 51, 55	811-394C	111, 113, 115, 121
334-619V	11, 13	8.7.3.00331	87, 89, 91, 93, 95, 97, 99, 103	803-168C	21, 25	811-786C	111
334-727H	11			803-169C	43, 45, 49, 51, 123, 127	811-826C	111
334-729H	45, 49, 51	800-001C	9, 17, 25, 27, 31, 33	803-170C	7	811-827C	113, 115
334-742H	31			803-181C	25	811-881C	121
334-744A	31	800-080C	57	803-198C	17, 41	811-913C	121
334-749H	41	800-117C	115	803-201C	27, 31	811-914C	113
334-753V	11, 13, 15	800-238C	37	803-209C	21, 35, 63, 67	811-917C	113
334-816A	43	800-306C	111	803-230C	125	811-918C	113, 115
334-817A	43	801-023C	107	803-255C	13, 15, 35, 37, 39	811-919C	111, 113, 115, 121
334-818A	53	801-248C	13, 15	803-258C	25, 27	812-554C	111
334-819A	53	802-004C	37	803-263C	9, 11, 41	812-555C	111
334-820A	55	802-005C	39	803-299C	11, 19	812-556C	111
334-821A	55	802-007C	11	803-304C	23, 25, 27, 29, 31	8123.360.504.11	81
334-840A	61, 63	802-015C	21, 35	803-310C	57	8123.460.106411	81
334-841A	65, 67	802-022C	17, 41	803-316C	33, 41, 43, 45, 49, 51	814-265C	59
334-842A	61, 63	802-023C	123	803-339C	25, 27, 31, 49	814-288C	59
334-927A	121	802-051C	41	803-342C	7	814-449C	59
334-951V	11, 15	802-053C	11, 17, 23, 25, 27, 29, 31	803-354C	15	814-478C	59
334-953A	37			803-390C	13	814-480C	59
359474	85	802-057C	11	804-006C	13, 15	814-673C	59
365305	85	802-060C	9	804-007C	35, 39	815-242C	57
371708	85	802-065C	11, 19	804-009C	11, 19	815-243C	57
371709	85	802-070C	25	804-010C	11, 19	815-491C	57
380371	85	802-079C	27, 31, 63, 67	804-011C	21, 123	816-481C	39
39-10039	73, 77	802-082C	43, 45, 49, 51, 123, 127	804-013C	17, 21, 27, 31, 41, 123	816-791C	49
395980	85			804-015C	21	816-835C	57
396295	85	802-091C	9, 21	804-016C	7, 43, 45, 49, 51, 123, 127	817-875C	43, 45, 47, 49, 51, 53, 55
397493	85	802-096C	21	804-017C	9, 21, 127	817-936C	13, 15
399469	85	802-099C	57	804-021C	17, 111	818-055C	125
491672	107	802-106C	21, 37, 41, 49	804-022C	11, 17	818-130C	117
491738	109	802-138C	11	804-025C	21, 25, 33, 43, 45, 47, 49, 51, 53, 55	818-142C	117
492222	107	802-148C	125	804-027C	21, 33	818-229C	117
492647	107	802-155C	41	804-028C	21, 25	818-230C	117
492650	107	802-183C	127	804-029C	33, 43, 45, 49, 51, 113, 115	818-240C	117
492652	109	802-205C	25	804-030C	33	818-540C	85, 117
492688	107	802-214C	17, 35, 61, 63, 65, 67	804-034C	13, 15	818-552C	85, 117
492700	109			804-055C	57	818-679C	117
494286	107	802-224C	35	804-071C	47, 51, 55	818-680C	117
498318	109	802-250C	7	804-147C	7	8180.016.237	81
55051-1817	71, 75, 79	802-277C	7	804-158C	101, 105	8180.016.238	81
649206	109	802-282C	43, 45, 47, 49, 51	804-229C	25, 27, 31	819-036C	117
68810-1003	71, 73	802-301C	13, 15	804-297C	111	82-26654	73
68810-1004	75, 77	802-368C	41	805-104C	33, 113, 115	820-478C	7
68810-1005	79	802-466C	17, 41	805-115C	25, 27, 31, 49	820-479C	7
8.0.9.00079	87, 89, 91, 93, 95, 97	802-538C	33	805-246C	57	820-480C	7
8.0.9.00143	87, 89, 91, 93, 95, 97, 99, 103	802-729C	29	805-374C	33	820-544C	7
8.0.9.01090	87, 89, 91, 93, 95, 97	802-747C	21	805-493C	113, 115	820-720C	7
8.1.1.00109	99, 103	802-754C	33	805-499C	47	820-721C	7
8.1.1.00501	87, 89, 91, 93, 95, 97	802-779C	57	805-562C	17	820-722C	7
8.2.2.00560	87, 89, 91, 93, 95, 97	802-843C	13, 15	805-611C	51, 55	820-723C	7
8.4.7.01045	87, 89, 91, 93, 95, 97	802-915C	33	805-612C	51, 55	820-724C	7
8.4.7.02265	87, 89, 91, 93, 95, 97	802-954C	15	805-622C	21, 43, 45, 47, 49, 51, 53, 55	820-725C	7
8.5.1.00533	87, 89, 91, 93, 95, 97	802-967C	11	807-073C	9, 21	820-726C	7
8.5.2.00332	87, 89, 91, 93, 95, 97	803-013C	123	807-271C	43	820-727C	7
8.5.2.01772	99, 103	803-014C	17, 21, 41, 107	807-390C	45, 47, 49, 51, 55	822-020C	57
8.6.5.00006	87, 89, 91, 93, 95, 97	803-019C	49, 57, 127	810-150C	107, 113, 115	822-021C	57
		803-020C	21	811-063C	121	822-033C	57
		803-021C	17			822-034C	57
		803-024C	111			826-317C	19, 87
		803-025C	21, 33, 43, 45, 47, 49, 51, 53, 55			826-319C	19, 89
		803-029C	57			826-486C	19, 87, 89, 91, 93, 95, 97
		803-030C	33			826-520C	11, 103, 105
		803-031C	21			826-521C	11, 99, 101
		803-032C	33, 41				



Part Number Index (continued)

Part Number	Page	Part Number	Page	Part Number	Page
826-643C	11, 75	890-850C	27	Dwg 72345	45
826-644C	11, 71	890-862C	25	Dwg 72348	109
826-645C	11, 79	890-974C	33	Dwg 72354	47
826-650C	11, 19, 95	891-208C	63	Dwg 72357	51
826-721C	11, 19, 97	891-212C	41, 61, 63, 67	Dwg 72363	49
826-725C	11, 91	891-485C	13, 15	Dwg 72375	111
826-726C	11, 93	891-487C	13, 15	Dwg 72409	99
826-793C	11, 73	891-522C	35	Dwg 72413	101
826-811C	19, 81	891-523C	35	Dwg 72418	103
826-812C	19, 83, 85	891-524C	21	Dwg 72424	105
826-818C	11, 69	891-531C	35	Dwg 72426	123
826-848C	11, 99, 103	891-823C	35	Dwg 72428	127
826-884C	11, 77	891-865C	35	Dwg 72432	119
827-158C	43, 45, 49, 51	891-883C	13	Dwg 72443	87
827-185C	47, 51, 55	891-964C	15	Dwg 72445	89
83-26656	73	90-24406	75	Dwg 72446	91
836-064C	15	90-26654	73	Dwg 72634	11
837-001C	49	90-26656	77	Dwg 72648	13
837-066C	19	91-25023	71	Dwg 72651	19
837-076C	11	92-24406	71, 75	Dwg 72659	33
837-079C	11	92-25075	79	Dwg 72663	43
838-374C	119	93-24406	75, 77	Dwg 72670	53
838-412C	119	93-25023	71, 73	Dwg 72671	55
838-614C	117	93-25075	79	Dwg 72672	115
838-615C	117	94-26654	73, 77	Dwg 72685	113
840-273C	9, 17	96-24406	71, 75	Dwg 72696	15
842-021C	15	96-25075	79	Dwg 72701	37
842-172C	33	96-26654	77	Dwg 72753	41
842-243C	11, 19	96-24406	75	Dwg 72757	117
842-460C	25, 27	97-25023	71	J200UM-01-10.4	13, 15
842-475C	13	97-25075	79	N/A	83, 107, 117
842-486C	111	97-26656	77	U0.125.0531.00	87, 89, 91, 93, 95, 97
842-492C	49	98-24406	71, 75	U0.125.1301.00	87, 89, 91
842-505C	11	98-25075	79	U0.125.1303.00	93, 95, 97
843-159C	37	98-26654	73, 77	U0.125.2050.00	87, 89, 91, 93, 95, 97
843-208C	37	99-24406	71, 73, 75, 77, 79	U0.125.3002.00	87, 89, 91, 93, 95, 97
843-209C	37	990-208R	119	U0.125.5003.00	87, 89
843-210C	37	A.305.500	103	U0.125.5053.00	95, 97
843-211C	37	A.305.501	99	U0.125.5061.00	91, 93
843-212C	37	A.709.500	93, 95, 97, 103	U0.125.6003.00	87, 89
844-031C	117	A.712.500	93, 95, 97	U0.125.6053.00	95, 97
844-049C	117	Dwg 25899	107	U0.125.6061.00	91, 93
844-050C	117	Dwg 26568	23	U0.125.7100.00	87, 89, 91, 93, 95, 97
844-074C	117	Dwg 30528	95		
848-122C	117	Dwg 33315	97		
848-128C	127	Dwg 35001	93		
848-465C	117	Dwg 37482	125		
848-872C	117	Dwg 37510	69		
850-217C	109, 111	Dwg 37911	71		
851-167C	113, 115	Dwg 37912	79		
858-381C	117	Dwg 37916	75		
858-917C	117	Dwg 37917	81		
858-918C	117	Dwg 37918	83		
858-947C	117	Dwg 37919	85		
858-948C	117	Dwg 39163	39		
858-949C	117	Dwg 70619	21		
858-950C	117	Dwg 70627	29		
858-951C	117	Dwg 70628	25		
858-954C	117	Dwg 70632	59		
858-956C	117	Dwg 70718	27		
858-966C	117	Dwg 70721	57		
890-153C	125	Dwg 70906	35		
890-175C	67	Dwg 70910	65		
890-182C	21	Dwg 70911	67		
890-341C	65, 67	Dwg 70912	61		
890-401C	43, 45, 47, 49, 51	Dwg 70913	63		
890-671C	123	Dwg 70947	73, 77		
890-672C	119	Dwg 72231	7, 17		
890-679C	123	Dwg 72305	9		
890-680C	123	Dwg 72334	31		
890-806C	29	Dwg 72335	121		

This Page Intentionally Left Blank



Great Plains Manufacturing, Inc.

Corporate Office: P.O. Box 5060
Salina, Kansas 67402-5060 USA

www.landpride.com
