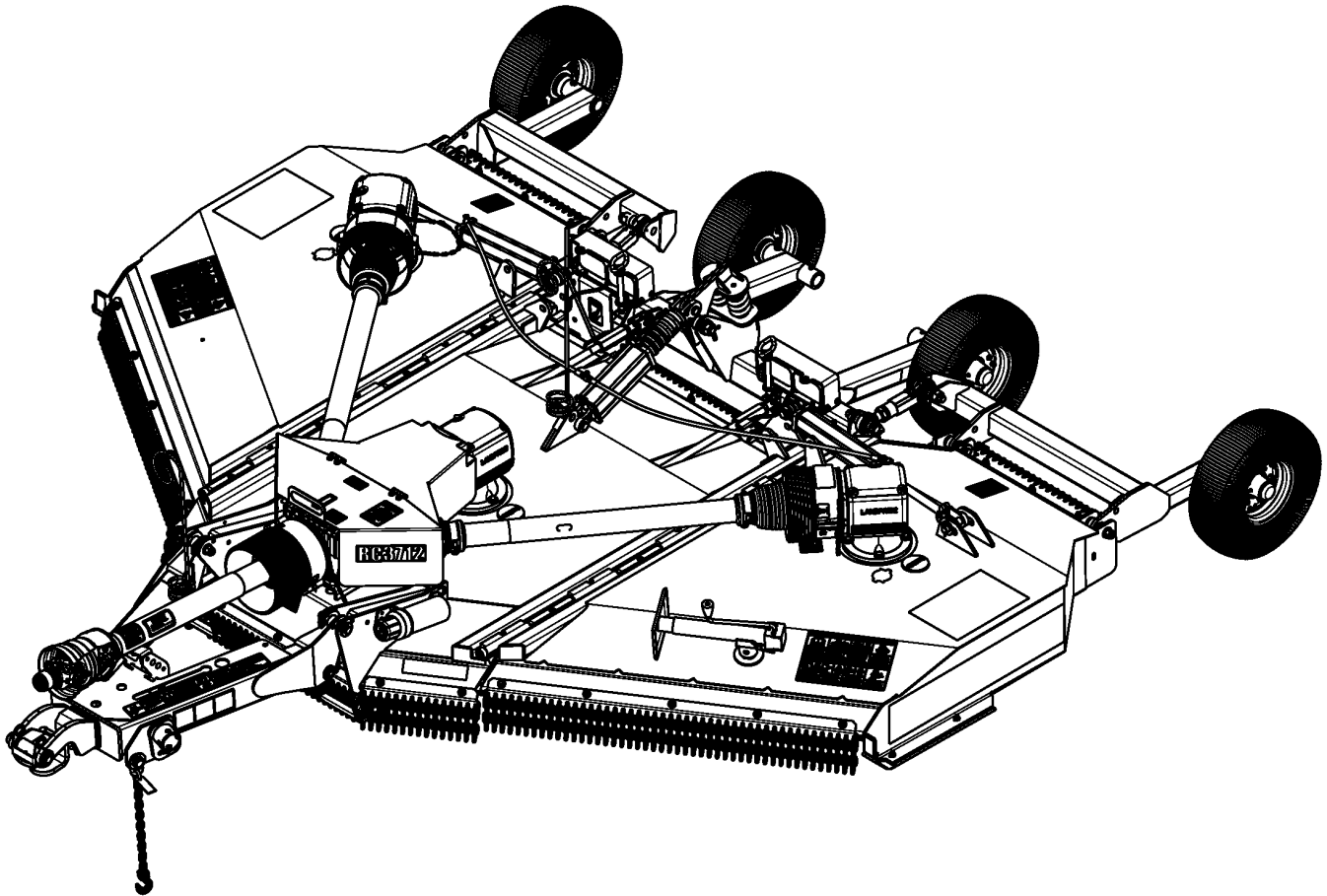


Rotary Cutter

RC(M)3712 & RCG(M)3712



70611

334-203P Parts Manual



Read the Operator's Manual entirely. When you see this symbol, the subsequent instructions and warnings are serious - follow without exception. Your life and the lives of others depend on it!

© Copyright 2020 Printed 12/15/20

Cover photo may show optional equipment not supplied with standard unit.





Table of Contents

Section 1: Introduction.....4
 Using This Manual.....4
 Manual Replacement Information.....4
 Manual Revisions.....4
 Touch-up Paint.....4
 Hardware Legend.....5
 Replacement Hardware.....5
 Serial Numbers.....5
 Part Number Service Coding.....5

Section 2: Decks & Hitches.....6
 Blade Carrier.....6
 Deck Center Components.....8
 Deck Center Drive Components.....10
 Deck Wing Components.....12
 Deck Wing Drive Components.....14
 Hitch A-Frame.....16
 Hitch Ball Coupler.....18
 Hitch Bar Tite.....20
 Hitch Fixed Clevis.....22
 Hitch LP Performance.....24
 Hitch Pintle.....26
 Hitch Swivel Clevis.....28
 Leveling Rods & Wing Turnbuckles.....30
 Light Assembly.....32
 Manual Tube.....34

Section 3: Axles.....36
 Axle Center.....36
 Axle Wing.....38
 Spindle & Hub Assembly (331-496S).....40
 Tire Options.....42

Section 4: Guards.....44
 Guards Chain Double Row Front.....44
 Guards Chain Double Row Rear.....46
 Guards Chain Single Row Front.....48
 Guards Chain Single Row Rear.....50

Section 5: Drivelines.....52
 Driveline (826-802C) Comer.....52
 Driveline (826-803C) Comer.....54
 Driveline CV 1.38 1000 RPM (826-644C) Weasler.....56
 Driveline CV 1.38 1000 RPM W/ Overrunning Clutch
 (826-793C) Weasler.....58
 Driveline CV 1.38 540 RPM (826-643C) Weasler.....60
 Driveline CV 1.38 540 RPM W/ Overrunning Clutch
 (826-884C) Weasler.....62

Section 6: Gearboxes.....64
 Gearbox (826-722C) Comer.....64
 Gearbox (826-799C) Comer.....66
 Gearbox (826-800C) Comer.....68
 Gearbox (826-801C) Comer.....70

Gearbox (826-851C) Comer.....72
 Gearbox (826-852C) Comer.....74

Section 7: Hydraulics.....76
 Hydraulic Cylinder (810-150C) Red Lion.....76
 Hydraulic Cylinder (810-624C) Red Lion.....78
 Hydraulic Cylinder (850-217C) Monarch.....80
 Hydraulic Lift Components S/N 1384884-.....82
 Hydraulic Lift Components S/N 1384885+.....84
 Lift Cylinder Stroke Control.....86

Section 8: Decals.....88
 Decals.....88
 Touch-up Paints - LP.....90

Section 9: Options & Accessories.....92
 Single Duplex Accessory.....92
 SMV Sign.....94

Part Number Index.....96

© Copyright 2020. All rights reserved.

Land Pride provides this publication "as is" without warranty of any kind, either expressed or implied. While every precaution has been taken in the preparation of this manual, Land Pride assumes no responsibility for errors or omissions. Neither is any liability assumed for damages resulting from the use of the information contained herein. Land Pride reserves the right to revise and improve its products as it sees fit. This publication describes the state of this product at the time of its publication, and may not reflect the product in the future. The illustrations in this manual are not intended for safe and proper assembly or disassembly of equipment. The illustrations are intended for ordering parts only.

Land Pride is registered trademark.

All other brands and product names are trademarks or registered trademarks of their respective holders.

Printed in the United States of America.



Alphabetized Table of Contents

A	Axle Center.....36	S	Single Duplex Accessory.....92
	Axle Wing.....38		SMV Sign.....94
B	Blade Carrier.....6		Spindle & Hub Assembly (331-496S).....40
D	Decals.....88	T	Tire Options.....42
	Deck Center Components.....8		Touch-up Paints - LP.....90
	Deck Center Drive Components.....10		
	Deck Wing Components.....12		
	Deck Wing Drive Components.....14		
	Driveline (826-802C) Comer.....52		
	Driveline (826-803C) Comer.....54		
	Driveline CV 1.38 1000 RPM (826-644C) Weasler.....56		
	Driveline CV 1.38 1000 RPM W/ Overrunning Clutch (826-793C) Weasler.....58		
	Driveline CV 1.38 540 RPM (826-643C) Weasler.....60		
	Driveline CV 1.38 540 RPM W/ Overrunning Clutch (826-884C) Weasler.....62		
G	Gearbox (826-722C) Comer.....64		
	Gearbox (826-799C) Comer.....66		
	Gearbox (826-800C) Comer.....68		
	Gearbox (826-801C) Comer.....70		
	Gearbox (826-851C) Comer.....72		
	Gearbox (826-852C) Comer.....74		
	Guards Chain Double Row Front.....44		
	Guards Chain Double Row Rear.....46		
	Guards Chain Single Row Front.....48		
	Guards Chain Single Row Rear.....50		
H	Hitch A-Frame.....16		
	Hitch Ball Coupler.....18		
	Hitch Bar Tite.....20		
	Hitch Fixed Clevis.....22		
	Hitch LP Performance.....24		
	Hitch Pintle.....26		
	Hitch Swivel Clevis.....28		
	Hydraulic Cylinder (810-150C) Red Lion.....76		
	Hydraulic Cylinder (810-624C) Red Lion.....78		
	Hydraulic Cylinder (850-217C) Monarch.....80		
	Hydraulic Lift Components S/N 1384884-.....82		
	Hydraulic Lift Components S/N 1384885+.....84		
L	Leveling Rods & Wing Turnbuckles.....30		
	Lift Cylinder Stroke Control.....86		
	Light Assembly.....32		
M	Manual Tube.....34		

General Information

Using This Manual

This manual is divided into sections. The first section contains General Information. The remaining sections divide the machine into segments (i.e. Frames, Drives, Hydraulics, etc.) which illustrate and list all parts. A Parts Number Index is located at the back of the book.

The Land Pride parts in this manual are specially designed for this machine and should be replaced with Land Pride parts only.

The information in this manual is current at time of printing. Some parts may change to assure top performance.

Right-hand and left-hand as used in this manual are determined by facing the direction the machine will travel while in use.

Below is an example of two facing pages from a parts manual. Familiarize yourself with the type of information contained on these pages.

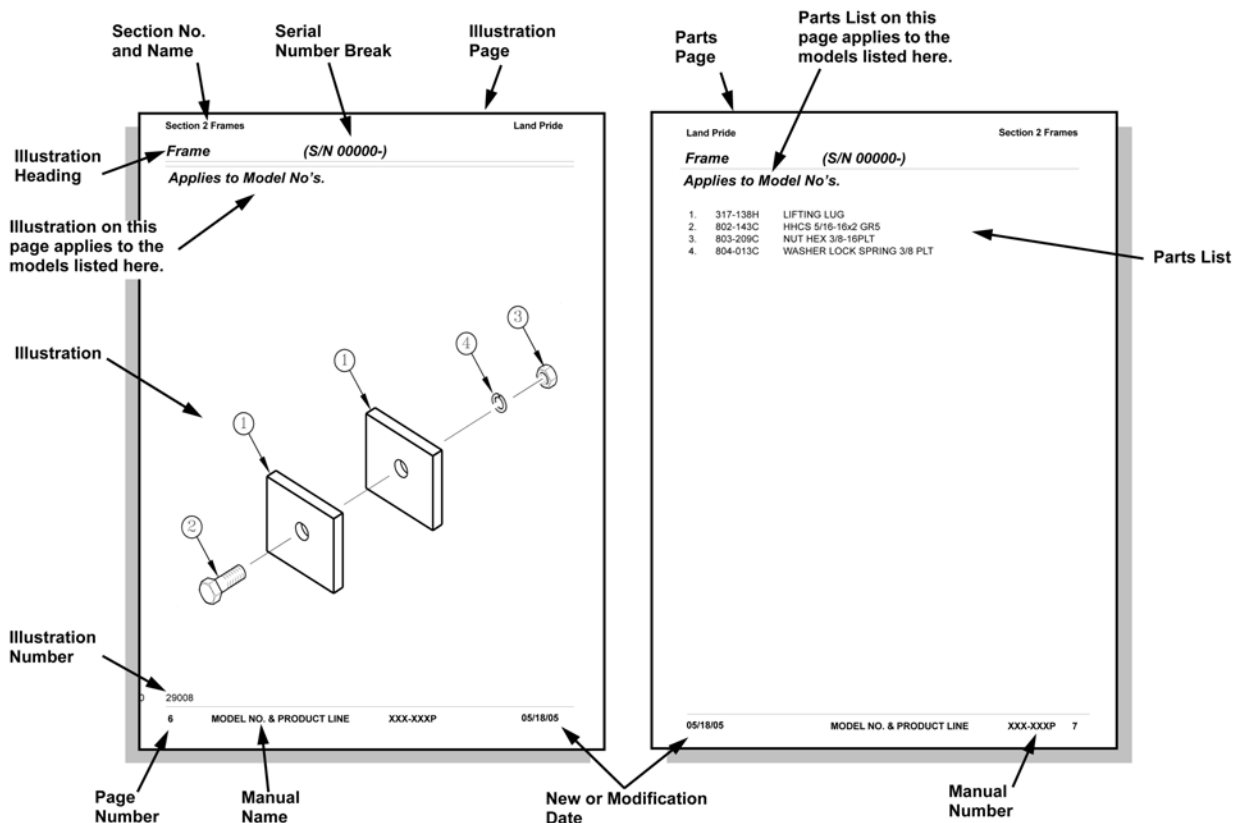
Manual Replacement Information

Replacement manuals are available. Refer to our website at www.landpride.com or e-mail us at lit@landpride.com for additional information. Our website continues to provide the most up-to-date manuals available.

Touch-up Paint

Repaint parts where paint is worn or scratched to prevent rust. Aerosol cans and touch-up bottles with brush applicator are available through your local dealer. Also available are quart and gallon size paints. Add QT or GL to end of the Aerosol P/N.

Land Pride color descriptions and part numbers are listed on the "Land Pride Touch-up Paints" page in the "Decals" section of this book. Color options vary by product.



General Information

Hardware Legend

AR	As Required
BLADE	Blade Bolt
C	Cap Screw
CP	Cotter Pin
CPHSSS	Cup Point Hex Socket Set Screw
CPSHSS	Cup Point Square Head Set Screw
CPSQHSS	Cup Point Square Head Set Screw
CRFCHMS3	Cross Recess Flat Countersunk Head Machine Screw
CRPHMS	Cross Recess Pan Head Machine Screw
CRPHTF	Cross Recess Pan Head Thread Forming
CRRHMS	Cross Recess Round Head Machine Screw
CRTHMS	Cross Recess Truss Head Machine Screw
CSNB	Countersunk Square Neck Bolt
FHMS	Flat Head Machine Screw
FTC	Full Thread Cap Screw
H	Hex Nut
HCLN	Hex Center Lock Nut
HFLCS	Hex Flange Lock Cap Screw
HFS	Hex Flange Screw
HFSLN	Hex Flange Serrated Lock Nut
HFSS	Hex Flange Serrated Screw
HHCS	Hex Head Cap Screw or Metric Bolt
HSBHCS	Hex Socket Button Head Cap Screw
HSFCHCS	Hex Socket Flat Countersunk Head Cap Screw
HSHCS	Hex Socket Head Cap Screw
HSSS	Hex Socket Head Screw
HTLN	Hex Top Lock Nut
HWHCS	Hex Washer Head Cap Screw

HWHMS	Hex Washer Head Machine Screw
HXBHCS	Hex Socket Button Head Cap Screw
J	Hex Jam Nut
JIC	37 Degree Tapered Thread
L	Helical Spring Lock Washer
LUG	Lug Bolt
NFC	National Fine Cap Screw
NPSM	National Pipe Straight Mechanical
NPTF	National Pipe Taper Fuel
P	Wide Plain Washer
PHMS	Pan Head Machine Screw
PLOW	Plow Bolt
RHMS	Round Head Machine Screw
RHSNB	Round Head Square Neck Bolt
SCREW LEVELING	Leveling Screw
SCREW THUMB	Thumb Screw
SCREW WELD	Weld Screw
SFCHMS	Slotted Flat Countersunk Head Machine Screw
SFHMS	Slotted Fillister Head Machine Screw
SP	Special
SP SCREW	Special Screw
SOHSS	Square Head Set Screw
SRHMS	Slotted Round Head Machine Screw
SSS	Socket Set Screw
STCS	Self Tapping Cap Screw
STHMS	Slotted Truss Head Machine Screw
WHEEL	Wheel Studs and Hub Long Bolts
WING	Wing Bolt

Replacement Hardware

The **Hardware Legend** above lists hardware abbreviations used in the parts list. All bolts and nuts are Grade 5 unless otherwise noted. The use of improper grades of hardware can result in personal injury, damage to equipment, or loss of property.

Colored Replacement Parts

Land Pride offers replacement parts in factory standard colors and also on select models in Green, Orange, Red and Blue. Because of the variety of colors available, special attention must be given to the part number to prevent ordering the wrong replacement part.

A suffix number corresponding to one of the colors below must be added at the end of Land Pride's part number when ordering a replacement part with that color.

81 Green 83 Red
82 Orange 84 Blue

For example, if you are ordering a replacement part with part number 555-555C and the part you need is red, then add the suffix 83 to the end of the number to make the part number read 555-555C83. Parts ordered without a suffix number will be supplied in factory standard colors.

Black Replacement Parts

Some parts are factory standard black and some must be special ordered black. If your part is special ordered black, a second part number with the additional suffix number 85 on the end will be available. In this situation you must order that part with the suffix number for it to be black. Parts that are factory standard black will not have the suffix number.

Part Number Service Coding

Within the parts list some part numbers are coded for revisions and interchangeability. See notations in revision column.

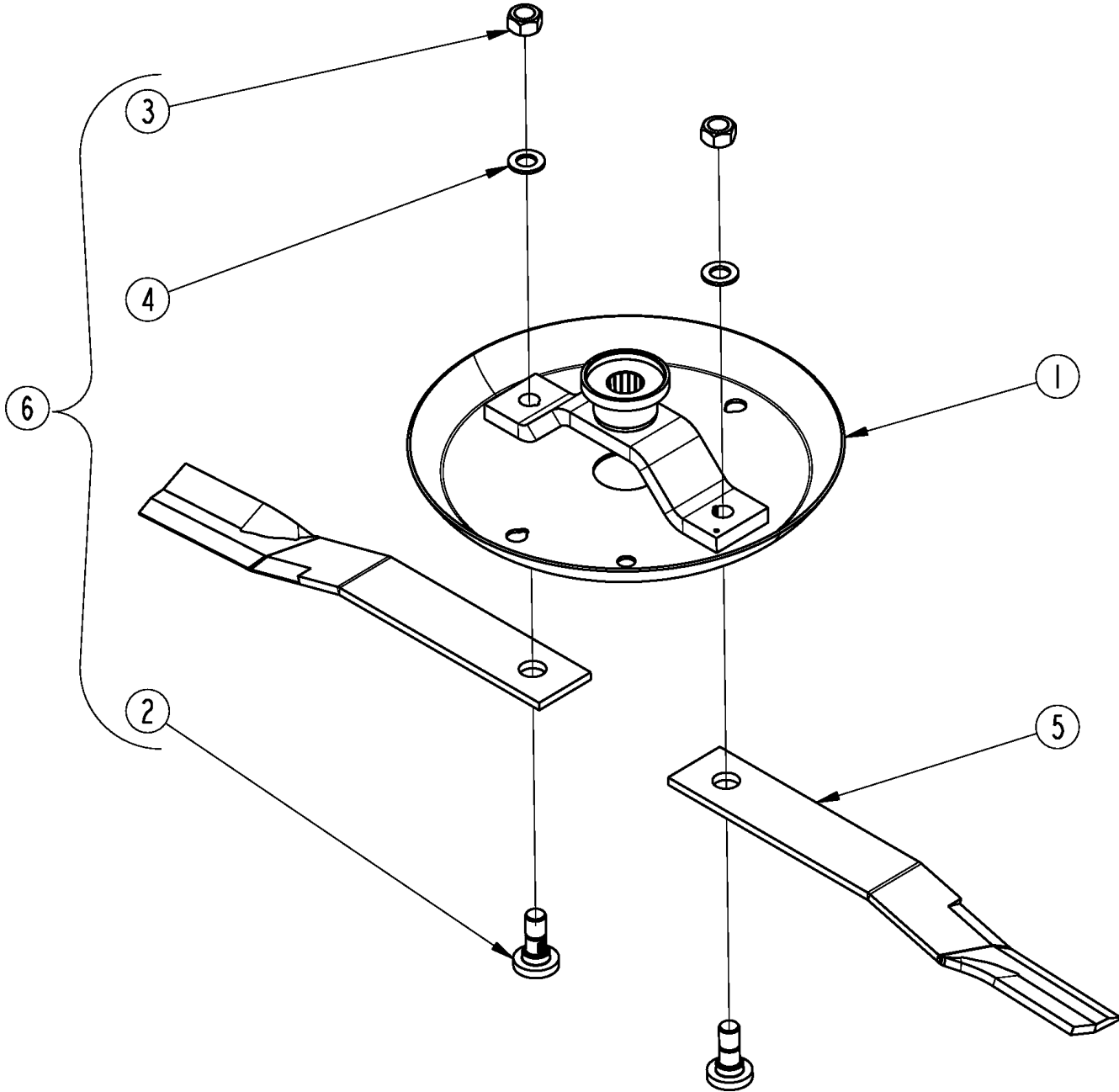
Serial Numbers

Always use the serial and model number when ordering parts. Refer to the Operator's Manual for serial number plate location.

- (S/N 20001+) Includes serial numbers 20001 and above (to the latest number)
- (S/N 10001 to 20000) Includes serial numbers between and including 10001 and 20000
- (S/N 10000-) Includes serial numbers 10000 and below (to the earliest number)

Blade Carrier

Applies to RC3712, RCG3712, RCGM3712, RCM3712



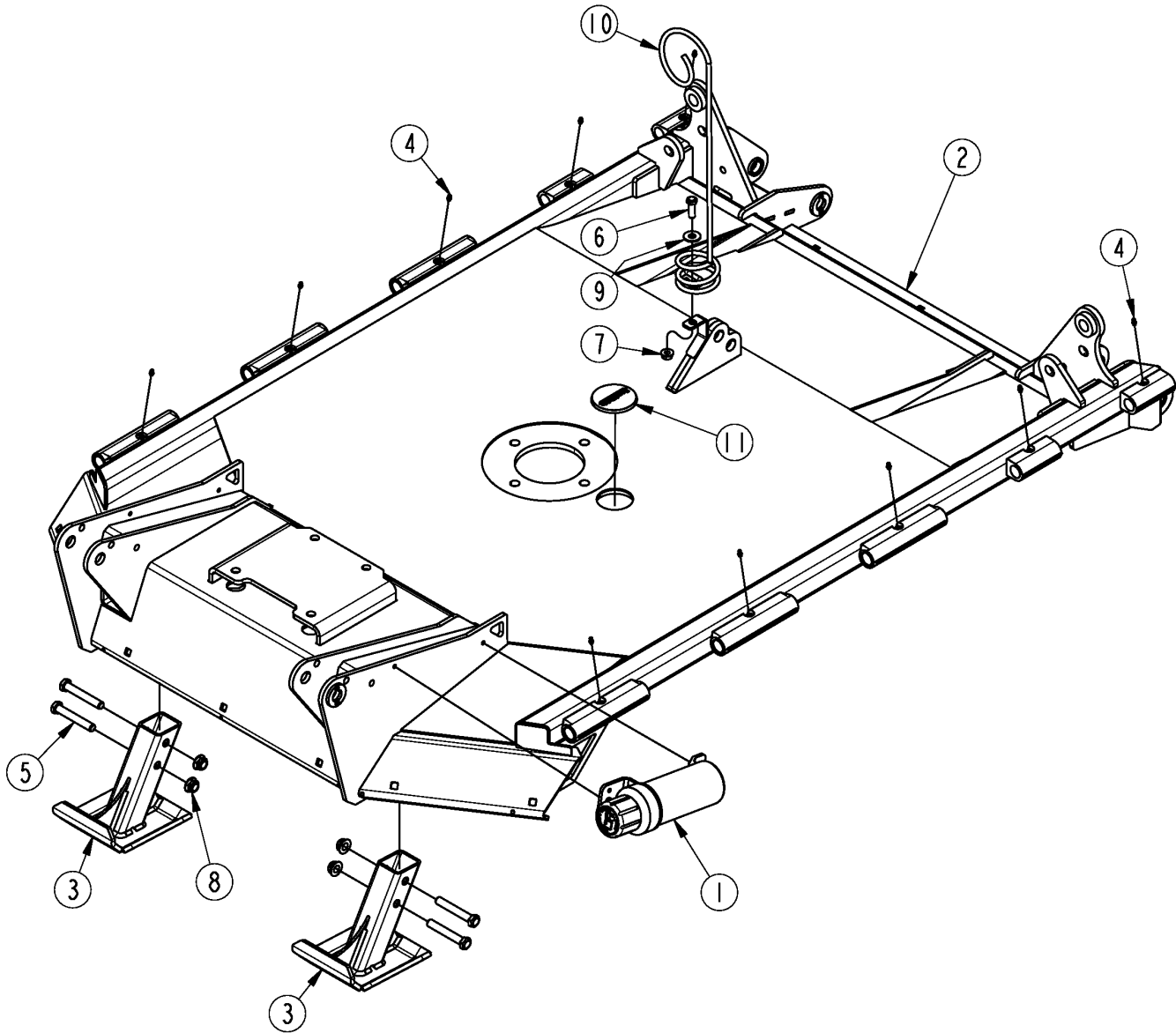
39064

Blade Carrier**Applies to RC3712, RCG3712, RCGM3712, RCM3712**

Ref	Part No.	Part Description	Comments	Revision
	Dwg 39064	Image No.		
1.	312-820H	15 DISHPAN WLDMT LG.HUB(COMER)		
2.	802-277C	BLD BLT 1 1/8-12X3.44 W/.25KEY		
3.	803-170C	NUT HEX TOP LOCK 1 1/8-12 PLT		
4.	804-147C	WASHER FLAT 1" HARDENED		
5.	820-137C	CUTTER BLADE 1/2X4X25 CCW	Center deck (standard)	
5.	820-547C	CUTTER BLADE 1/2X4X19 CCW	Right deck (standard)	
5.	820-545C	CUTTER BLADE 1/2X4X19 CW	Left deck (standard)	
6.	318-586A	BLADE BOLT KIT		

Deck Center Components

Applies to RC3712, RCG3712, RCGM3712, RCM3712



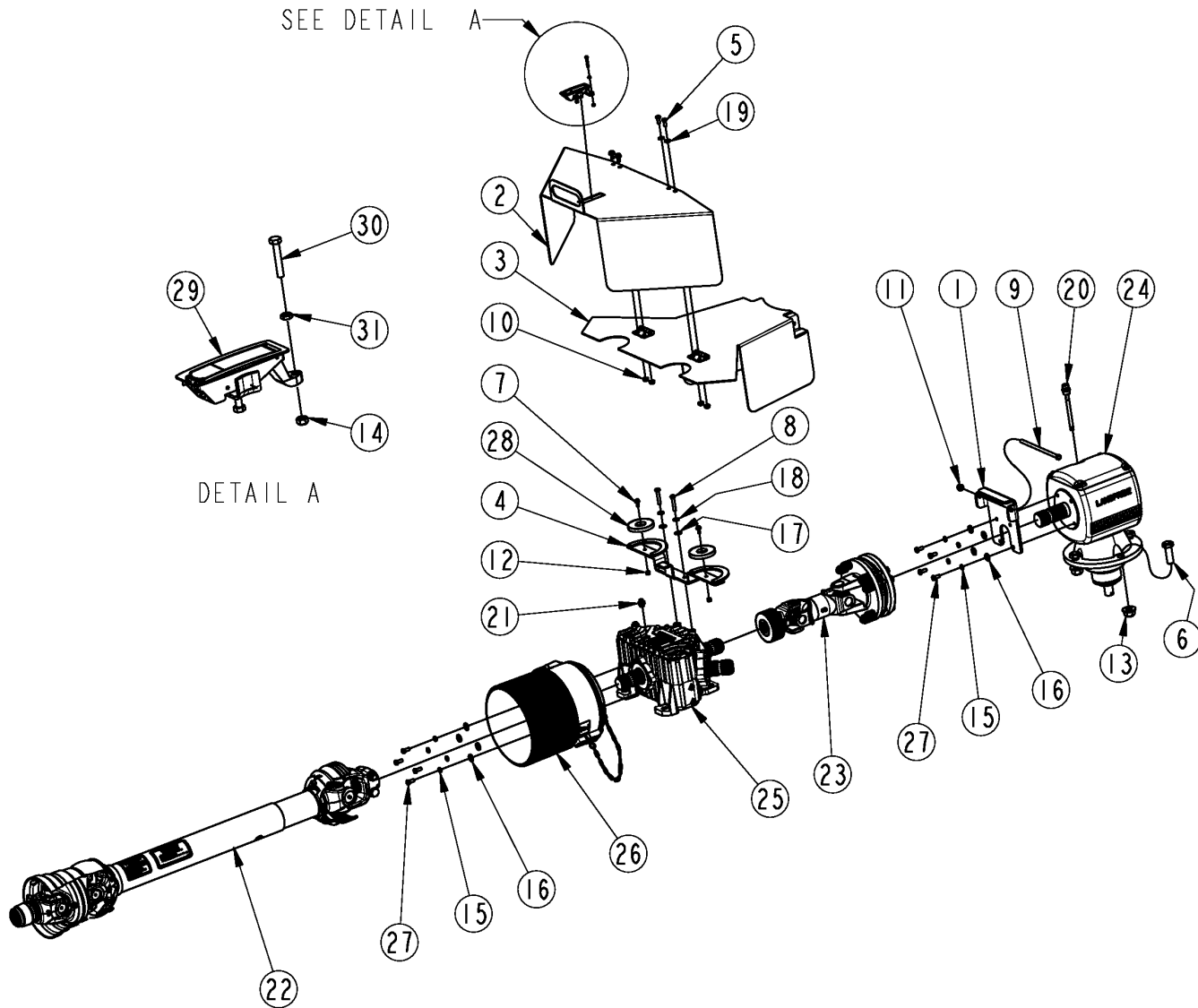
70612

Deck Center Components**Applies to RC3712, RCG3712, RCGM3712, RCM3712**

Ref	Part No.	Part Description	Comments	Revision
	Dwg 70612	Image No.		
1.	318-920S	MANUAL STORAGE CONTAINER KIT		
2.	331-477H	CENTER DECK	Beige deck	
2.	331-477H81	CENTER DECK GREEN	Green deck	
2.	331-477H82	CENTER DECK ORANGE	Orange deck	
2.	331-477H83	CENTER DECK RED	Red deck	
2.	331-477H86	CENTER DECK YELLOW	Yellow deck	
2.	334-623H	CENTER DECK, GAL	Galvanized deck (RCG cutters)	
3.	331-688H	CENTER SKID SHOE		
4.	800-001C	GREASE ZERK STRAIGHT 1/4-28		
5.	802-060C	HHCS 5/8-11X4 GR5		
6.	802-091C	HHCS 1/2-13X1 1/2 GR5		
7.	803-037C	NUT HEX WHIZ 1/2-13 PLT GR5		
8.	803-263C	NUT HEX FLANGE LOCK 5/8-11 PLT		
9.	804-017C	WASHER FLAT 1/2 USS PLT		
10.	807-073C	SPRING HOSE LOOP HEAVY		
11.	840-273C	PLUG LP 3" ID RUBBER		

Deck Center Drive Components

Applies to RC3712, RCG3712, RCGM3712, RCM3712



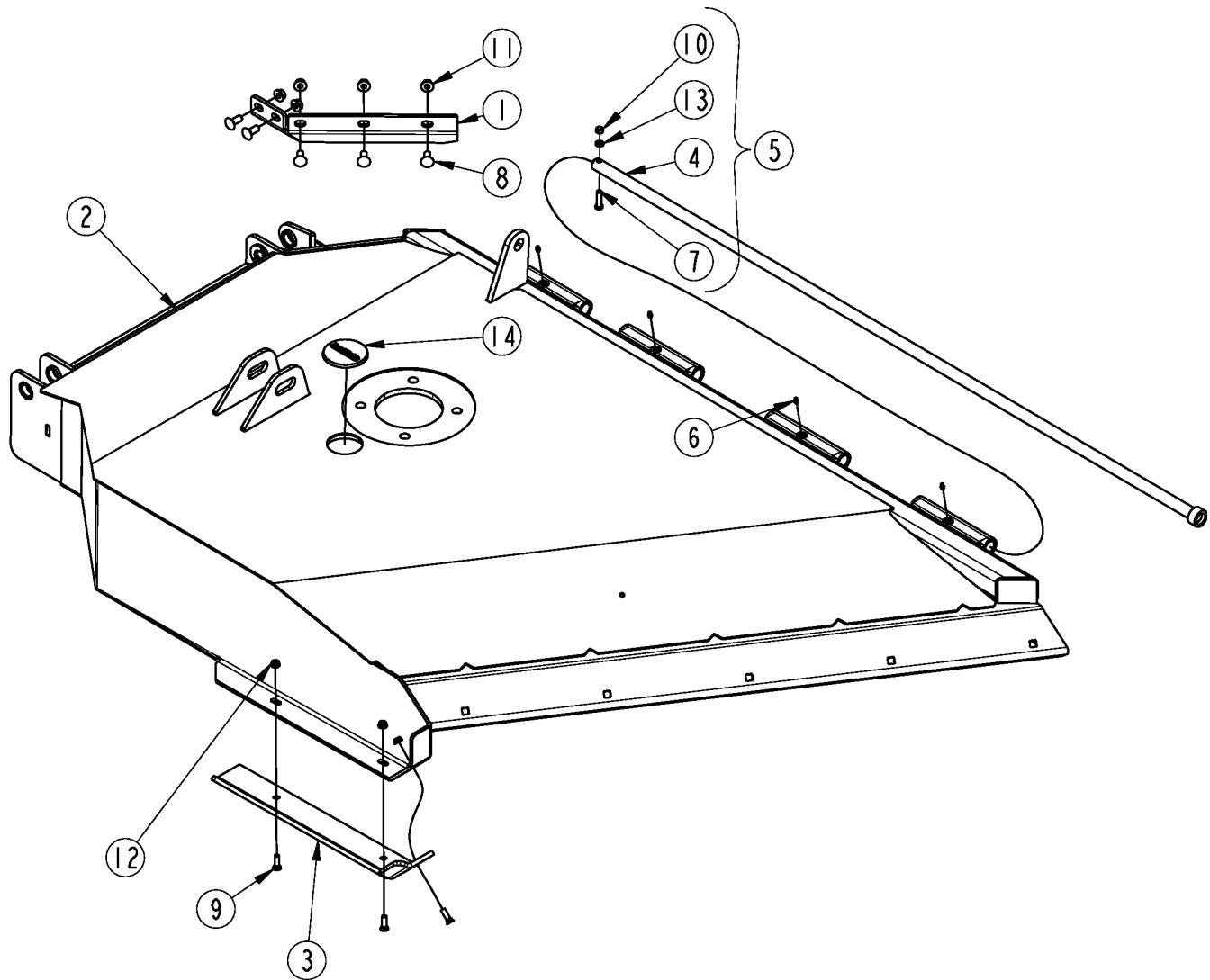
70613

Deck Center Drive Components**Applies to RC3712, RCG3712, RCGM3712, RCM3712**

Ref	Part No.	Part Description	Comments	Revision
	Dwg 70613	Image No.		
1.	331-523D	SHIELD MOUNT BRACKET		
2.	334-016D	SPLITTER BOX SHIELD		
3.	334-177H	INTERMEDIATE SHIELD		
4.	334-714H	SHIELD BRACKET, SPLITTER		
5.	802-007C	HHCS 5/16-18X3/4 GR5		
6.	802-065C	HHCS 3/4-10X2 1/4 GR5		
7.	802-196C	HFS 1/4-20X5/8 GR5		
8.	802-683C	HHCS M8X1.25X45 GR8.8		
9.	802-900C	HHCS 3/8-16X8 GR5 ZNYCR		
10.	803-177C	NUT HEX FLG TP LK 5/16-18ZNYCR		
11.	803-209C	NUT FLANGE LOCK 3/8-16 PLT		
12.	803-255C	NUT HEX NYLOCK 1/4-20		
13.	803-299C	NUT HEX FLG TOP LK 3/4-10 PLT		
14.	803-390C	NUT HEX NYLOCK M5X.8		
15.	804-009C	WASHER LOCK SPRING 5/16 PLT		
16.	804-010C	WASHER FLAT 5/16 USS PLT		
17.	804-012C	WASHER FLAT 3/8 SAE PLT		
18.	804-013C	WASHER LOCK SPRING 3/8 PLT		
19.	804-036C	WASHER FLAT 5/16 SAE PLT		
20.	826-490C	COMER U0.210.7100.00 DIPSTICK		
21.	826-497C	COMER VENT #8.6.7.00269		
22.	826-643C	DRVLN C6 42 1.38-6 CV	540 RPM	
22.	826-884C	DRVLN C6 39 1.38-6 CV ORCL	540 RPM	
22.	826-644C	DRVLN C6 42 1.38-21 CV	1000 RPM	
22.	826-793C	DRVLN C6 39 1.38-21 CV ORCLTCH	1000 RPM	
23.	826-802C	DRVLN C4 6F 1.75-20 FL CLTCH	540 & 1000 RPM	
24.	826-851C	GBOX RC35 1.75-20 1:1.83 STD	540 RPM	
24.	826-799C	GBOX RC35 1.75-20 1:1 STD	1000 RPM	
25.	826-852C	DIV 540RPM 1:1.35	540 RPM	
25.	826-801C	DIV 1000RPM 1.35:1	1000 RPM	
26.	837-079C	DRVLN SHLD CONE,2 PIECE 11.25L		
27.	842-243C	HHCS M8X1.25X20 GR8.8 THD-LCK		
28.	891-282C	MAGNET, 3 3/16 OD X 57LB		
29.	891-883C	FLUSH MOUNT LEVER LATCH		
30.	802-972C	HHCS M5X.80X30 GR8.8		
31.	803-391C	NUT HEX M5X.8		

Deck Wing Components

Applies to RC3712, RCG3712, RCGM3712, RCM3712



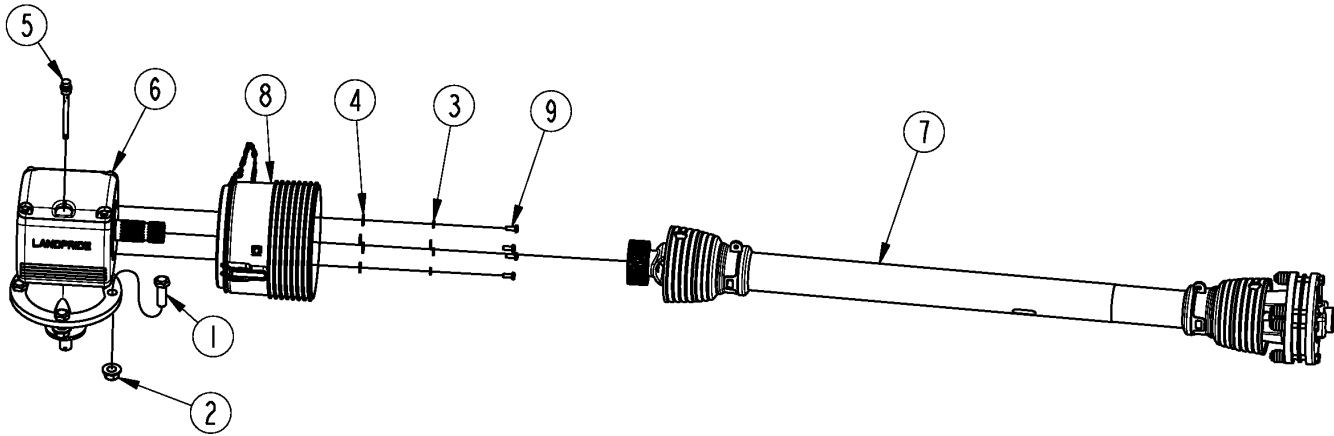
70614

Deck Wing Components**Applies to RC3712, RCG3712, RCGM3712, RCM3712**

Ref	Part No.	Part Description	Comments	Revision
	Dwg 70614	Image No.		
1.	331-204D	RH REAR DEFLECTOR		
2.	331-479H	RH DECK	Right beige wing	
2.	331-479H81	RH DECK GREEN	Right green wing	
2.	331-479H82	RH DECK ORANGE	Right orange wing	
2.	331-479H83	RH DECK RED	Right red wing	
2.	331-479H86	RH DECK YELLOW	Right yellow wing	
2.	331-481H	LH DECK	Left beige wing	
2.	331-481H81	LH DECK GREEN	Left green wing	
2.	331-481H82	LH DECK ORANGE	Left orange wing	
2.	331-481H83	LH DECK RED	Left red wing	
2.	331-481H86	LH DECK YELLOW	Left yellow wing	
2.	334-621H	RH DECK, GAL	Right galvanized wing (RCG cutters)	
2.	334-622H	LH DECK, GAL	Left galvanized wing (RCG cutters)	
3.	331-792H	BEVELED SKID SHOE RH		
3.	331-793H	BEVELED SKID SHOE LH		
4.	334-179H	HINGE ROD		
5.	334-180K	HINGE ROD ASY		
6.	800-001C	GREASE ZERK STRAIGHT 1/4-28		
7.	802-022C	HHCS 3/8-16X1 1/2 GR5		
8.	802-214C	RHSNB 1/2-13X1 1/4 GR5		
9.	802-466C	PLOW 3/8-16X1 1/4 GR5		
10.	803-014C	NUT HEX 3/8-16 PLT		
11.	803-037C	NUT HEX WHIZ 1/2-13 PLT GR5		
12.	803-198C	NUT HEX WHIZ 3/8-16 PLT		
13.	804-013C	WASHER LOCK SPRING 3/8 PLT		
14.	840-273C	PLUG LP 3" ID RUBBER		

Deck Wing Drive Components

Applies to RC3712, RCG3712, RCGM3712, RCM3712



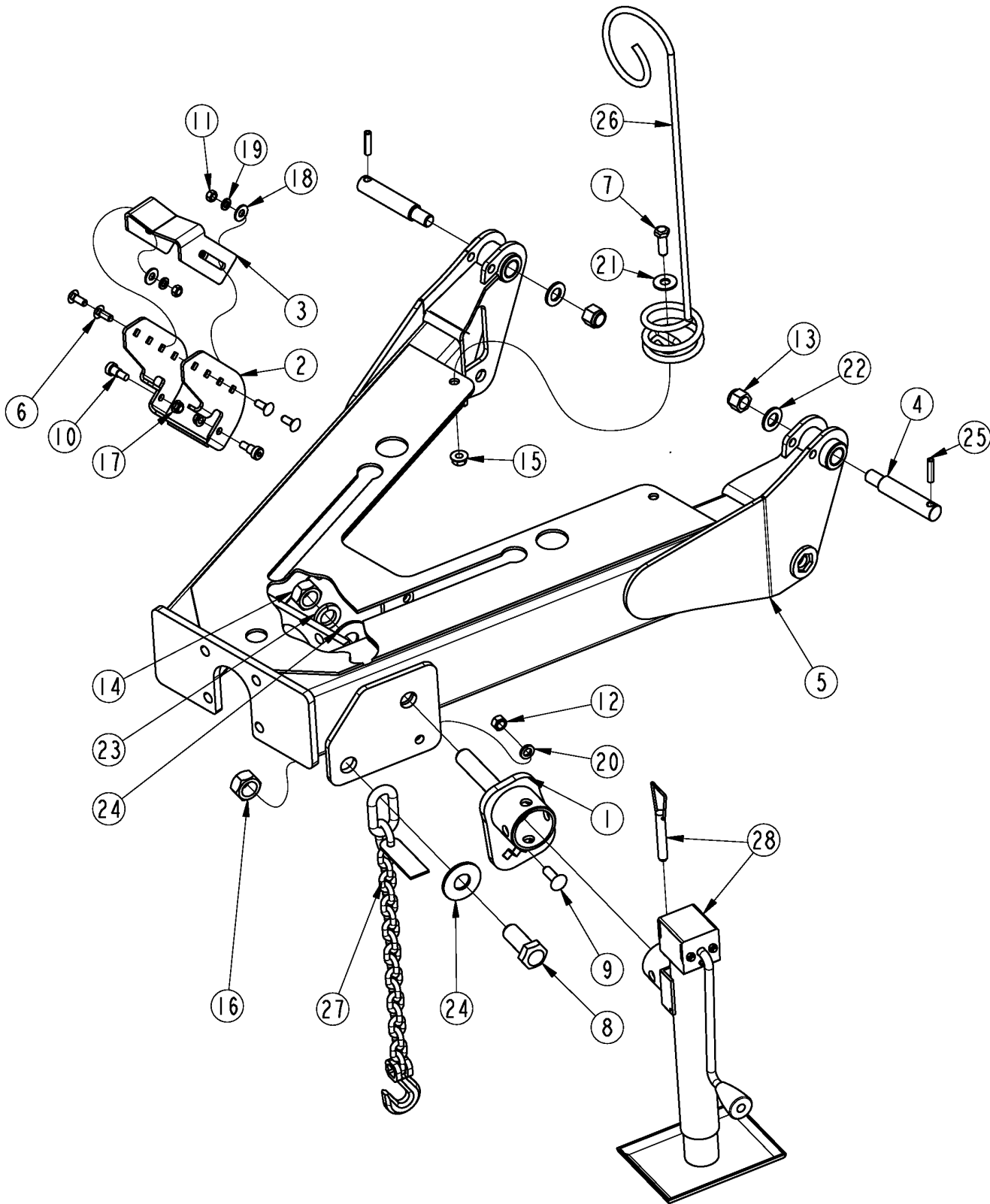
70618

Deck Wing Drive Components**Applies to RC3712, RCG3712, RCGM3712, RCM3712**

Ref	Part No.	Part Description	Comments	Revision
	Dwg 70618	Image No.		
1.	802-065C	HHCS 3/4-10X2 1/4 GR5		
2.	803-299C	NUT HEX FLG TOP LK 3/4-10 PLT		
3.	804-009C	WASHER LOCK SPRING 5/16 PLT		
4.	804-010C	WASHER FLAT 5/16 USS PLT		
5.	826-490C	COMER U0.210.7100.00 DIPSTICK		
6.	826-800C	GBOX RC35 1.75-20 1:1.69 REV	Right wing 540 & 1000 RPM	
6.	826-722C	GBOX RC35 1.75-20 1:1.69 STD	Left Wing 540 & 1000 RPM	
7.	826-803C	DRVLN C4 42 1.75-20 FX CLTCH	Right & left wing. 540 & 1000 RPM	
8.	837-066C	DRVLN SHLD CONE,2 PIECE 8.25L		
9.	842-243C	HHCS M8X1.25X20 GR8.8 THD-LCK		

Hitch A-Frame

Applies to RC3712, RCG3712, RCGM3712, RCM3712



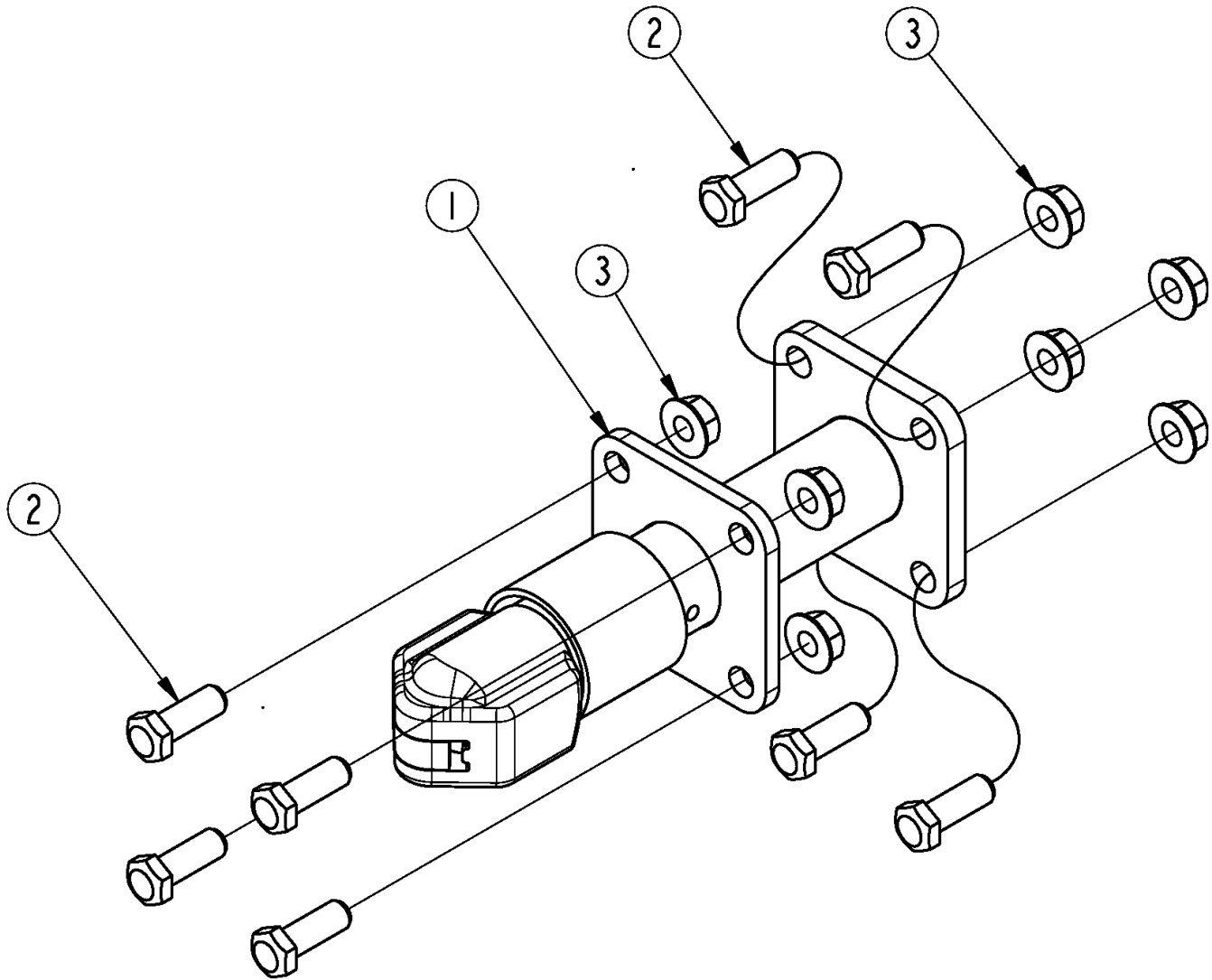
70619

Hitch A-Frame**Applies to RC3712, RCG3712, RCGM3712, RCM3712**

Ref	Part No.	Part Description	Comments	Revision
	Dwg 70619	Image No.		
1.	331-561H	ADJUSTABLE JACK MOUNT		
2.	331-670D	PTO HANGER HINGE		
3.	331-671D	PTO HANGER		
4.	331-958D	PIVOT PIN 1" SHORT		
5.	334-468H	TONGUE		
6.	802-015C	RHSNB 3/8-16X1 GR5		
7.	802-091C	HHCS 1/2-13X1 1/2 GR5		
8.	802-096C	HHCS 1-8X2 1/2 GR5		
9.	802-106C	RHSNB 1/2-13X1 1/2 GR5		
10.	802-747C	SHLDR BLT 1/2DX1/2L 3/8-16 SS		
11.	803-014C	NUT HEX 3/8-16 PLT		
12.	803-020C	NUT HEX 1/2-13 PLT		
13.	803-025C	NUT HEX 3/4-10 PLT NYLOCK		
14.	803-031C	NUT HEX 1-8 PLT		
15.	803-037C	NUT HEX WHIZ 1/2-13 PLT GR5		
16.	803-168C	NUT HEX TOP LOCK 1-8 PLT		
17.	803-209C	NUT FLANGE LOCK 3/8-16 PLT		
18.	804-011C	WASHER FLAT 3/8 USS PLT		
19.	804-013C	WASHER LOCK SPRING 3/8 PLT		
20.	804-015C	WASHER LOCK SPRING 1/2 PLT		
21.	804-017C	WASHER FLAT 1/2 USS PLT		
22.	804-025C	WASHER FLAT 3/4 SAE PLT		
23.	804-027C	WASHER LOCK SPRING 1 PLT		
24.	804-028C	WASHER FLAT 1 USS PLT		
25.	805-622C	PIN GROOVE 3/8X1 1/2 TYPE A		
26.	807-073C	SPRING HOSE LOOP HEAVY		
27.	890-182C	SAFETY CHAIN 10000 LB		
28.	891-524C	SIDEWIND JACK 7000 LB		

Hitch Ball Coupler

Applies to RC3712, RCG3712, RCGM3712, RCM3712



26568

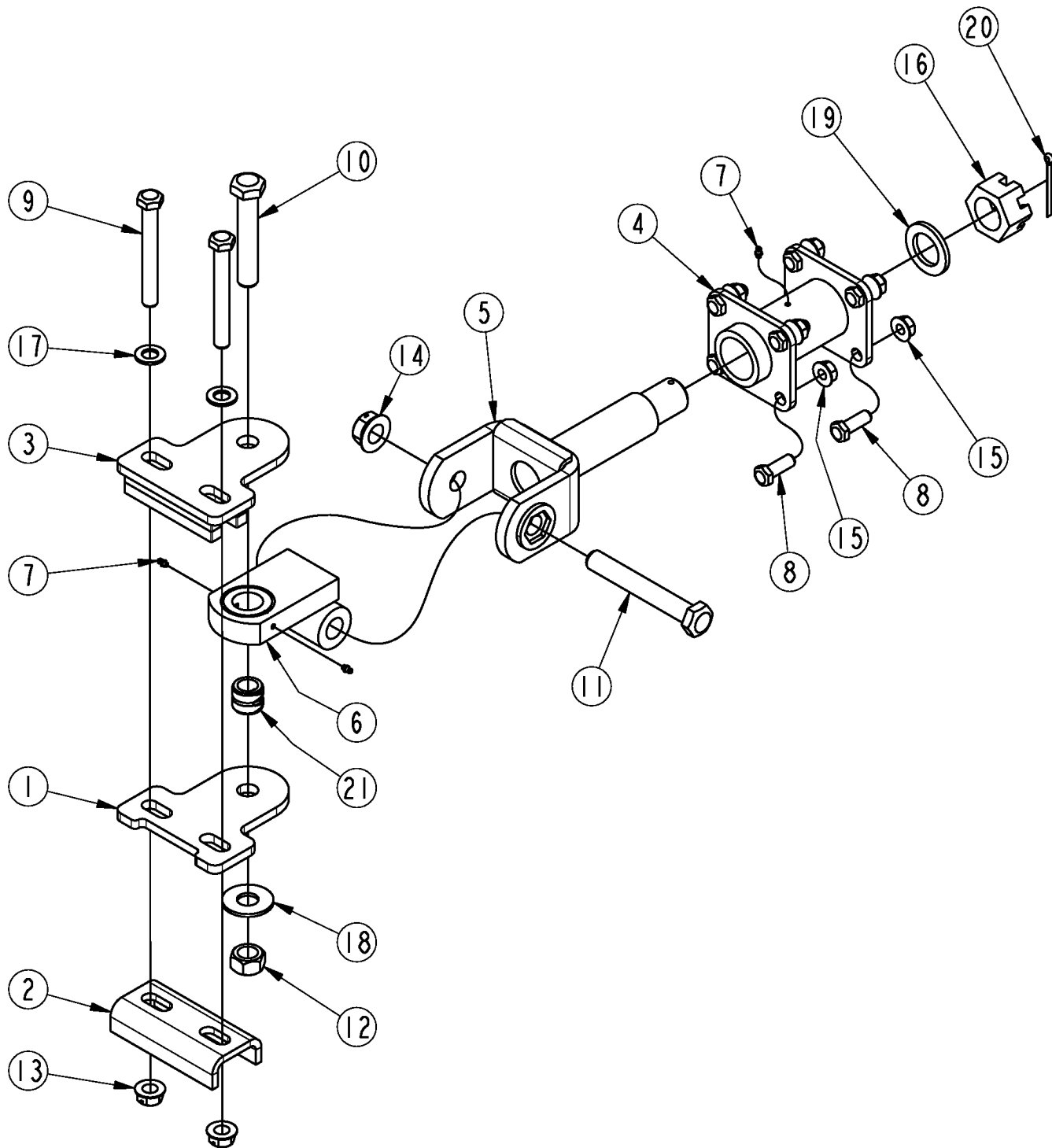
Hitch Ball Coupler

Applies to RC3712, RCG3712, RCGM3712, RCM3712

Ref	Part No.	Part Description	Comments	Revision
	Dwg 26568	Image No.		
	334-462A	BALL HITCH, 2 5/16 *	For 2-5/16" Ball - Complete Assembly	
1.	334-474H	2 5/16" BALL HITCH WELDMENT		
2.	802-053C	HHCS 5/8-11X1 3/4 GR5		
3.	803-304C	NUT HEX WHIZ 5/8-11 PLT		

Hitch Bar Tite

Applies to RC3712, RCG3712, RCGM3712, RCM3712



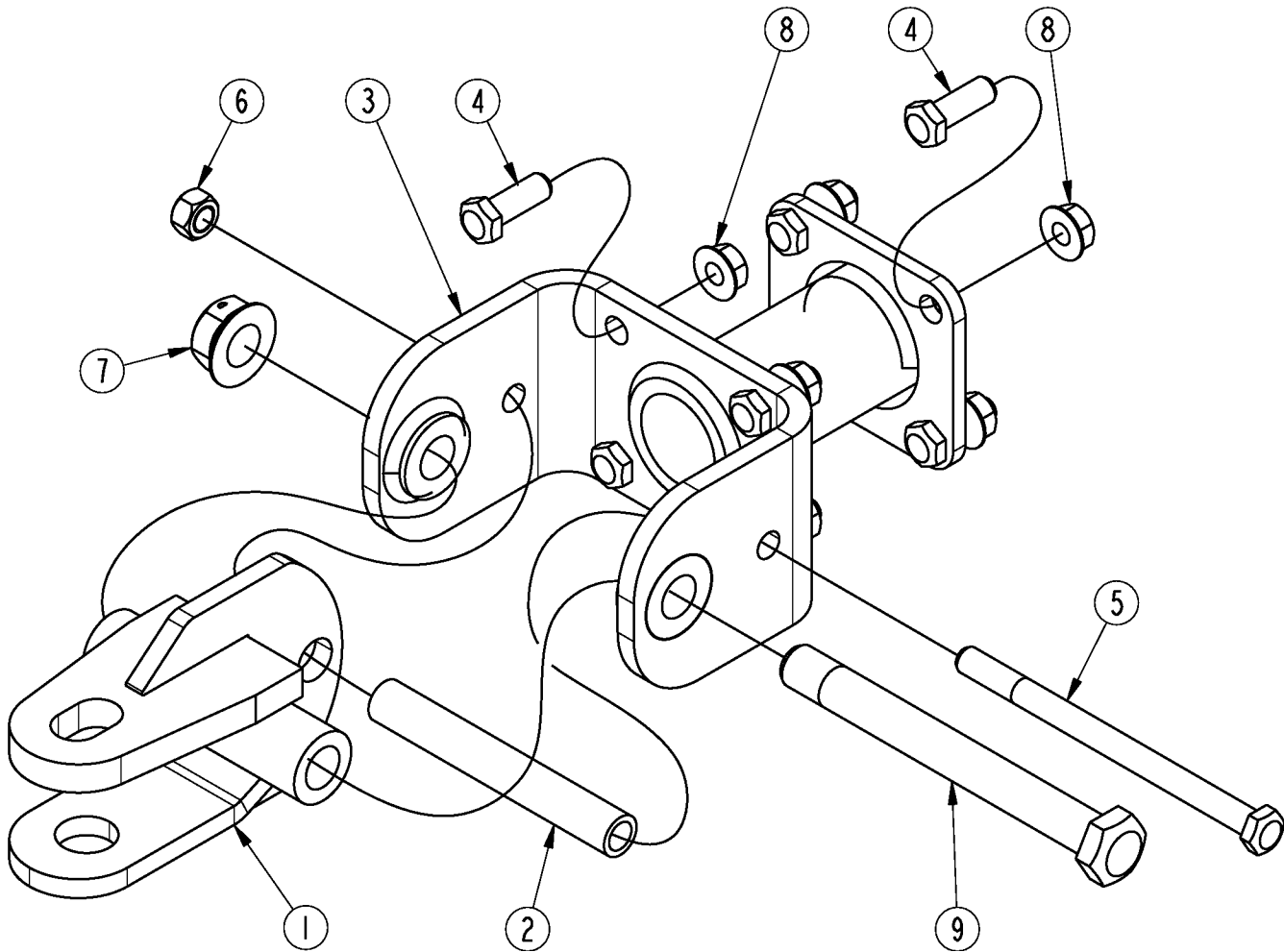
70628

Hitch Bar Tite**Applies to RC3712, RCG3712, RCGM3712, RCM3712**

Ref	Part No.	Part Description	Comments	Revision
	Dwg 70628 334-460A	Image No. BAR TITE HITCH *		
1.	330-563D	HITCH WEAR PLATE WIDE		
2.	330-564D	FORMED HITCH SUPPORT WIDE		
3.	330-975H	BAR TITE WIDE TOP		
4.	334-472H	SWIVEL RECEIVER		
5.	334-477H	PIVOT SHAFT		
6.	334-480H	BAR TITE PIVOT WELDMENT		
7.	800-001C	GREASE ZERK STRAIGHT 1/4-28		
8.	802-053C	HHCS 5/8-11X1 3/4 GR5 FTHD		
9.	802-070C	HHCS 3/4-10X6 GR5		
10.	802-205C	HHCS 1-8X5 1/2 GR5		
11.	842-460C	HHCS 1-8X7 GR8 SPTH	S/N _____ +	
11.	802-827C	HHCS 1-8X7 GR8 PLT	S/N _____ -	
12.	803-168C	NUT HEX TOP LOCK 1-8 PLT		
13.	803-181C	NUT HEX FLANGE LOCK 3/4-10 PLT		
14.	803-258C	NUT HEX FLG LOCK 1-8 GR B PLT		
15.	803-304C	NUT HEX WHIZ 5/8-11 PLT		
16.	803-339C	NUT HEX SLOTTED 1 3/4-5 REGULR		
17.	804-025C	WASHER FLAT 3/4 SAE PLT		
18.	804-028C	WASHER FLAT 1 USS PLT		
19.	804-229C	WASHER HARD 2.75X1.75X.25 PLT		
20.	805-115C	PIN COTTER 1/4 X 3 PLT		
21.	890-862C	BUSHING 1.50ODX1.00IDX1.25		

Hitch Fixed Clevis

Applies to RC3712, RCG3712, RCGM3712, RCM3712



70626

Hitch Fixed Clevis**Applies to RC3712, RCG3712, RCGM3712, RCM3712**

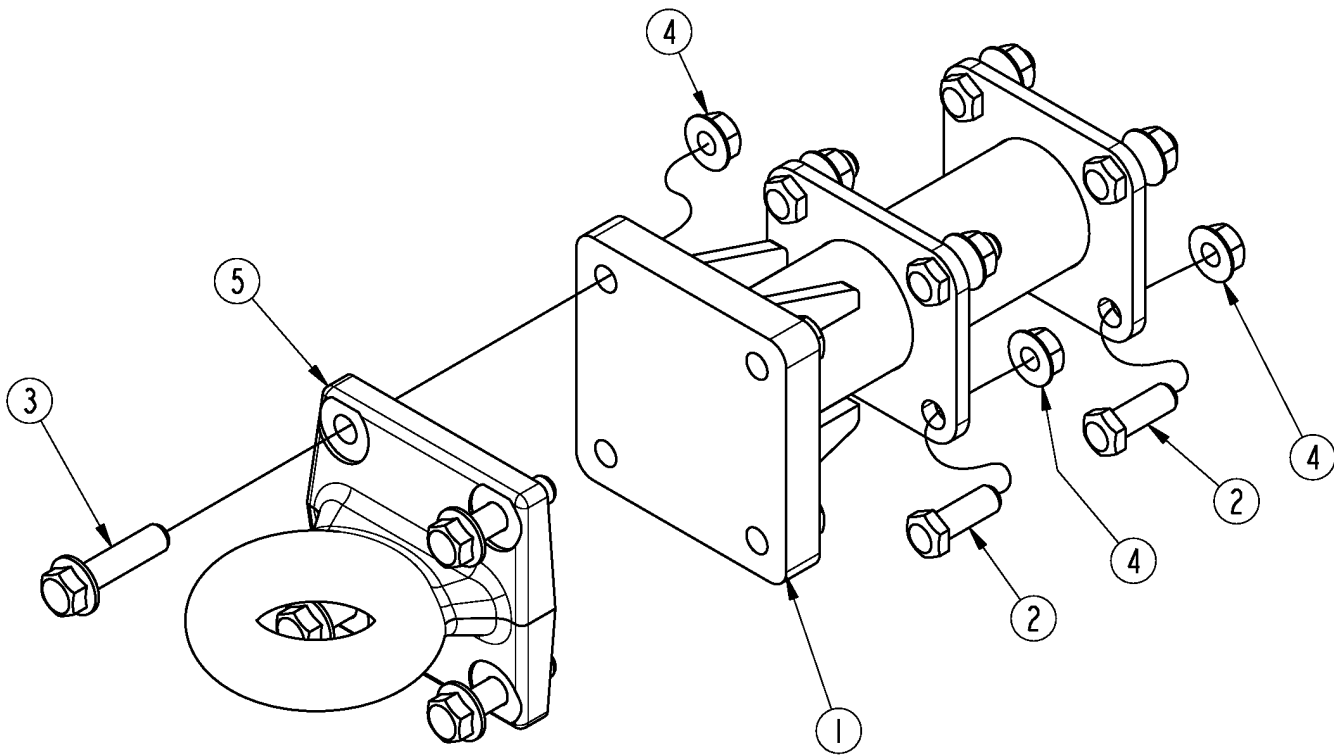
Ref	Part No.	Part Description	Comments	Revision
	Dwg 70626 334-463A	Image No. FIXED CLEVIS HITCH	This hitch is for cutters with S/N 1384309 and below.	
		*		
1.	330-497H	CLEVIS WELDMENT		
2.	331-883D	HITCH SPACER		
3.	334-476H	CLEVIS RECIEVER YOKE		
4.	802-053C	HHCS 5/8-11X1 3/4 GR5 FTTHD		
5.	802-105C	HHCS 5/8-11X9 GR5		
6.	803-024C	NUT LOCK 5/8-11 PLT		
7.	803-258C	NUT HEX FLG LOCK 1-8 GR B PLT		
8.	803-304C	NUT HEX WHIZ 5/8-11 PLT		
9.	842-414C	HHCS 1-8X9 1/2 GR8 SPTHD		

Hitch LP Performance**Applies to RC3712, RCG3712, RCGM3712, RCM3712**

Ref	Part No.	Part Description	Comments	Revision
	Dwg 70718 334-471A	Image No. LAND PRIDE PERFORMANCE HITCH *		
1.	331-543D	HITCH HOLDER		
2.	334-046H	HITCH CLEVIS		
3.	334-472H	SWIVEL RECEIVER		
4.	334-482H	LPH YOKE		
5.	800-001C	GREASE ZERK STRAIGHT 1/4-28		
6.	802-053C	HHCS 5/8-11X1 3/4 GR5 FTHTD		
7.	802-079C	HHCS 3/8-16X1 1/4 GR5		
8.	803-201C	NUT HEX COUPLER 3/8-16X1 3/4		
9.	803-258C	NUT HEX FLG LOCK 1-8 GR B PLT		
10.	803-304C	NUT HEX WHIZ 5/8-11 PLT		
11.	803-339C	NUT HEX SLOTTED 1 3/4-5 REGULR		
12.	804-013C	WASHER LOCK SPRING 3/8 PLT		
13.	804-229C	WASHER HARD 2.75X1.75X.25 PLT		
14.	805-115C	PIN COTTER 1/4 X 3 PLT		
15.	842-460C	HHCS 1-8X7 GR8 SPTHD	S/N _____+	
15.	802-075C	HHCS 1-8X7 GR5	S/N _____-	
16.	890-850C	BUSHING 1 1/4X1X5/8		

Hitch Pintle

Applies to RC3712, RCG3712, RCGM3712, RCM3712



70627

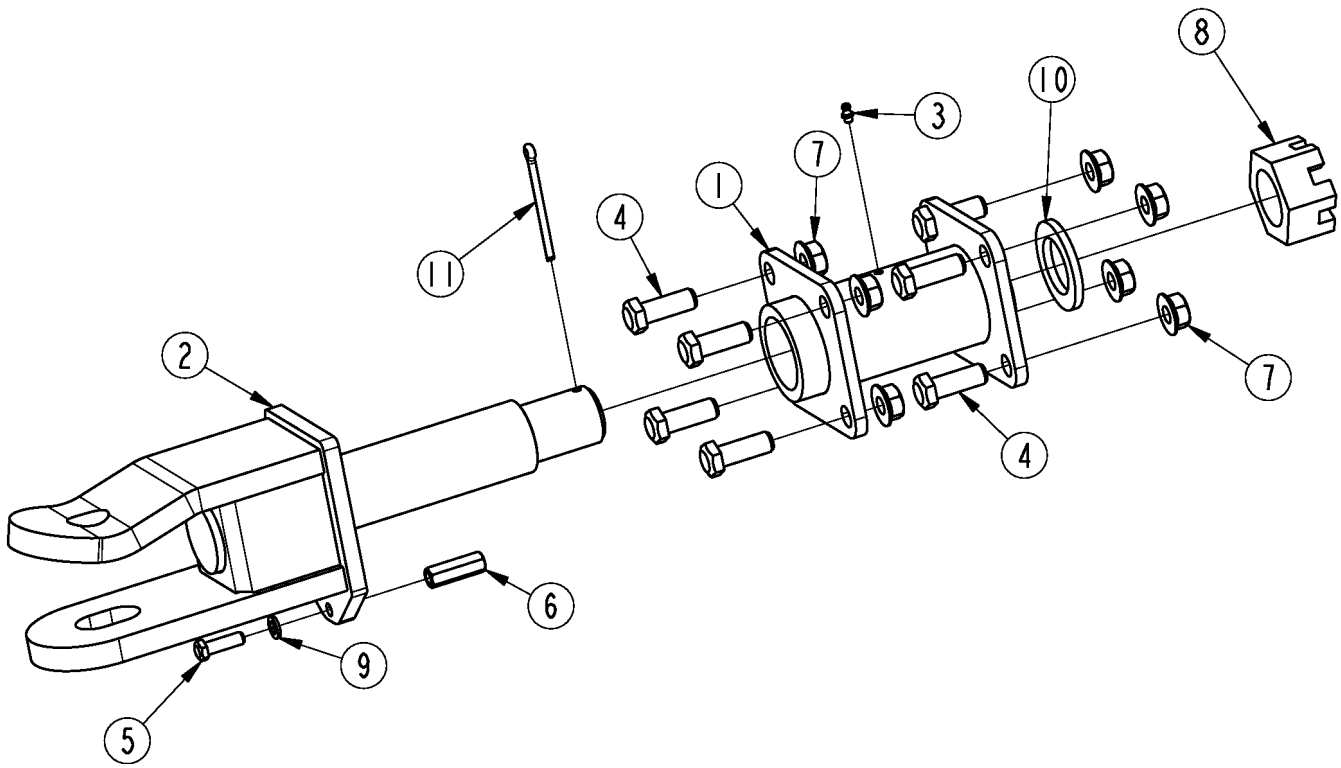
Hitch Pintle

Applies to RC3712, RCG3712, RCGM3712, RCM3712

Ref	Part No.	Part Description	Comments	Revision
	Dwg 70627 334-470A	Image No. FIXED PINTLE HITCH *		
1.	334-475H	PINTLE RECEIVER		
2.	802-053C	HHCS 5/8-11X1 3/4 GR5 FTHD		
3.	802-729C	HFS 5/8-11X2 1/2 GR8 PLT		
4.	803-304C	NUT HEX WHIZ 5/8-11 PLT		
5.	890-806C	PINTLE HOOK SQ.BASE BDB1250-15		

Hitch Swivel Clevis

Applies to RC3712, RCG3712, RCGM3712, RCM3712

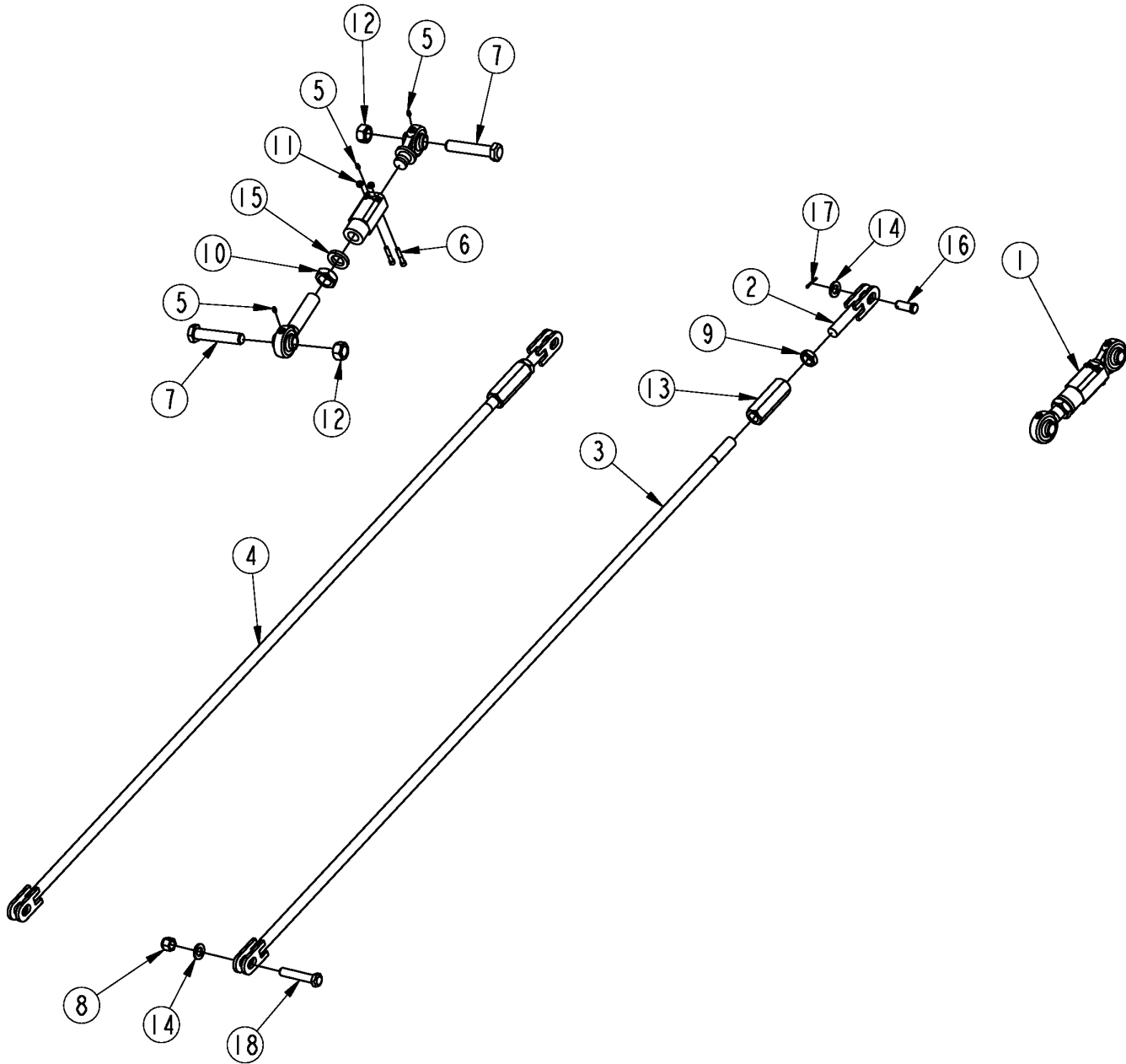


Hitch Swivel Clevis**Applies to RC3712, RCG3712, RCGM3712, RCM3712**

Ref	Part No.	Part Description	Comments	Revision
	Dwg 72334 334-744A	Image No. SWIVEL CLEVIS HITCH *		
1.	334-472H	SWIVEL RECEIVER		
2.	334-742H	SWIVEL HITCH		
3.	800-001C	GREASE ZERK STRAIGHT 1/4-28		
4.	802-053C	HHCS 5/8-11X1 3/4 GR5 FTHD		
5.	802-079C	HHCS 3/8-16X1 1/4 GR5		
6.	803-201C	NUT HEX COUPLER 3/8-16X1 3/4		
7.	803-304C	NUT HEX WHIZ 5/8-11 PLT		
8.	803-339C	NUT HEX SLOTTED 1 3/4-5 REGULR		
9.	804-013C	WASHER LOCK SPRING 3/8 PLT		
10.	804-229C	WASHER HARD 2.75X1.75X.25 PLT		
11.	805-115C	PIN COTTER 1/4 X 3 PLT		

Leveling Rods & Wing Turnbuckles

Applies to RC3712, RCG3712, RCGM3712, RCM3712



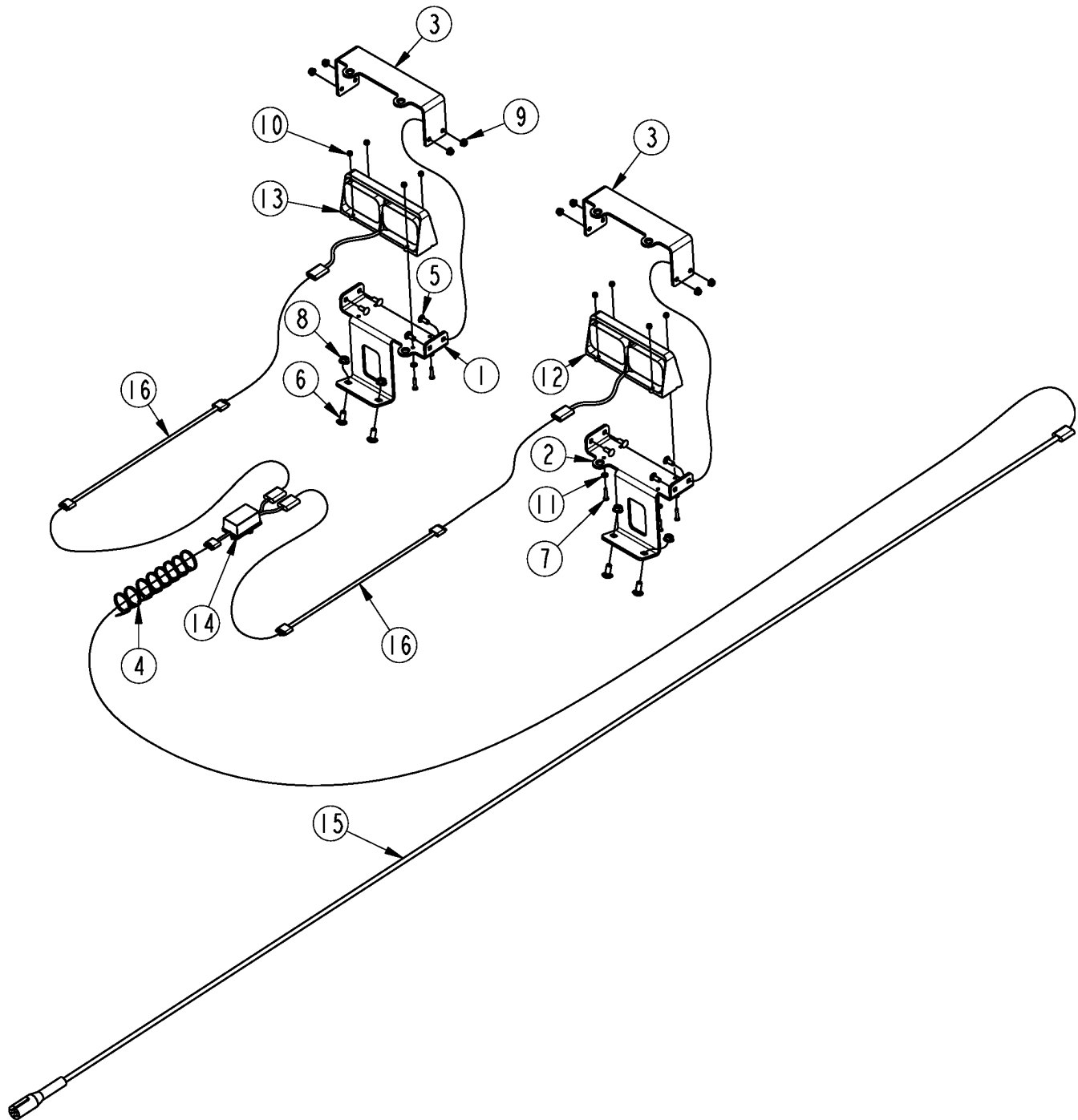
70622

Leveling Rods & Wing Turnbuckles**Applies to RC3712, RCG3712, RCGM3712, RCM3712**

Ref	Part No.	Part Description	Comments	Revision
	Dwg 70622	Image No.		
1.	330-224K	TURNBUCKLE KIT		
2.	330-404H	LEVEL ROD SHORT 1"		
3.	334-181H	LEVEL ROD		
4.	334-182K	LEVEL ROD ASY		
5.	800-001C	GREASE ZERK STRAIGHT 1/4-28		
6.	802-538C	HSHCS 5/16-18X1 3/4		
7.	802-915C	HHCS 1-8X5 GR8 PLT SPTHD		
8.	803-025C	NUT HEX 3/4-10 PLT NYLOCK		
9.	803-030C	NUT HEX JAM 1-8 PLT		
10.	803-032C	NUT HEX JAM 1 1/4-7 PLT		
11.	803-084C	NUT HEX NYLOCK 5/16-18 PLT		
12.	803-316C	NUT HEX LOCK 1-8 PLT		
13.	803-375C	NUT HEX COUPLER 1-8 X 5		
14.	804-025C	WASHER FLAT 3/4 SAE PLT		
15.	804-030C	WASHER LOCK 1 1/4 SPRING PLT		
16.	805-083C	PIN CLVS .75X1.50 USBL HT		
17.	805-109C	PIN COTTER 1/8 X 1 1/4 PLT		
18.	842-172C	HHCS 3/4-10X4 GR8		

Light Assembly

Applies to RC3712, RCG3712, RCGM3712, RCM3712



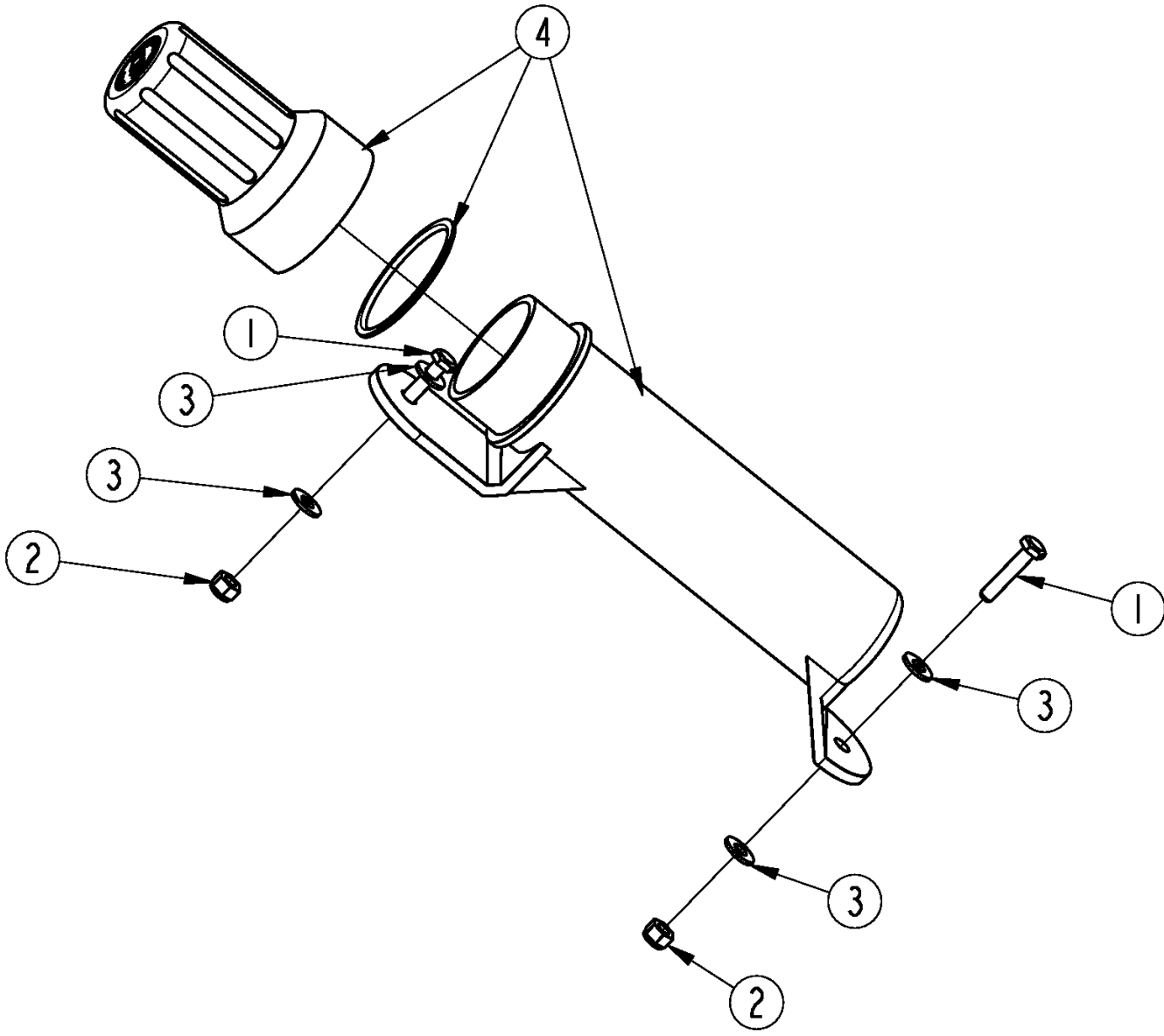
70699

Light Assembly**Applies to RC3712, RCG3712, RCGM3712, RCM3712**

Ref	Part No.	Part Description	Comments	Revision
	Dwg 70699	Image No.		
1.	331-240D	LIGHT BRACKET RH		
2.	331-241D	LIGHT BRACKET LH		
3.	331-972D	LIGHT GUARD		
4.	NA	CABLE TIE .19X7.25 1.75D 50LB	Not available	
5.	802-015C	RHSNB 3/8-16X1 GR5		
6.	802-214C	RHSNB 1/2-13X1 1/4 GR5		
7.	802-224C	HHCS 1/4-20X1 1/4 GR5		
8.	803-037C	NUT HEX WHIZ 1/2-13 PLT GR5		
9.	803-209C	NUT FLANGE LOCK 3/8-16 PLT		
10.	803-255C	NUT HEX NYLOCK 1/4-20		
11.	804-007C	WASHER FLAT 1/4 SAE PLT		
12.	891-522C	DUAL LED LIGHT LH		
13.	891-523C	DUAL LED LIGHT RH		
14.	891-531C	ENHANCE MODULE		
15.	891-533C	LEAD WIRE HARNESS 13'		
16.	891-823C	LIGHT WIRE HARNESS 2'		

Manual Tube

Applies to RC3712, RCG3712, RCGM3712, RCM3712



39163

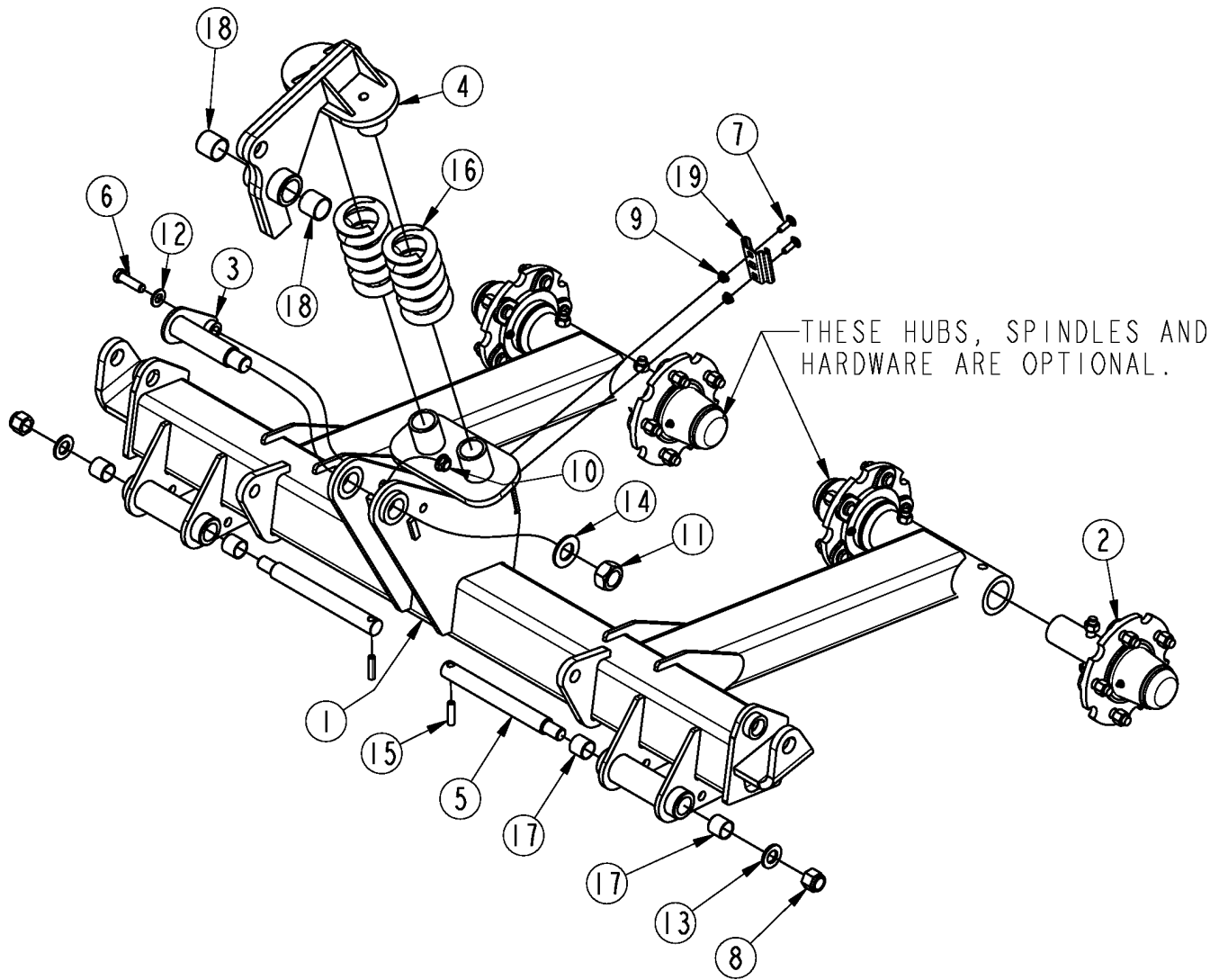
Manual Tube

Applies to RC3712, RCG3712, RCGM3712, RCM3712

Ref	Part No.	Part Description	Comments	Revision
	Dwg 39163 318-920S	Image No. MANUAL STORAGE CONTAINER KIT *		
1.	802-005C	HHCS 1/4-20X1 GR5		
2.	803-255C	NUT HEX NYLOCK 1/4-20		
3.	804-007C	WASHER FLAT 1/4 SAE PLT		
4.	816-481C	MANUAL STORAGE CONTAINER		

Axle Center

Applies to RC3712, RCG3712, RCGM3712, RCM3712



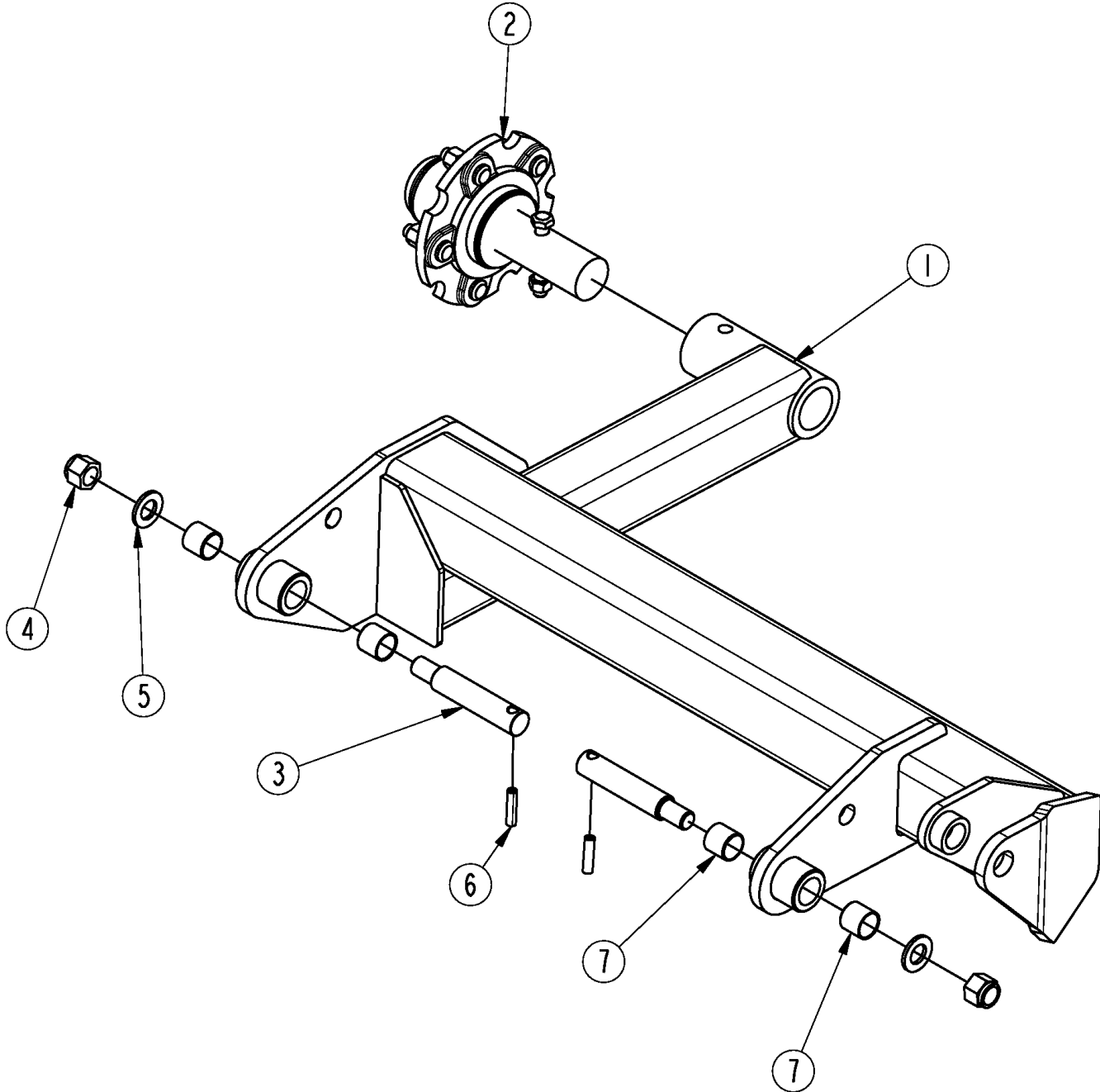
70629

Axle Center**Applies to RC3712, RCG3712, RCGM3712, RCM3712**

Ref	Part No.	Part Description	Comments	Revision
	Dwg 70629	Image No.		
1.	331-488H	CENTER AXLE		
2.	331-496S	SHORT SPINDLE AND HUB ASY		
3.	331-709H	PIVOT PIN 4.5" USEABLE		
4.	331-757H	CENTER SPRING ROCKER		
5.	331-959D	PIVOT PIN 1" LONG		
6.	802-082C	HHCS 1/2-13X1 3/4 GR5 FTHD		
7.	802-282C	RHSNB 5/16-18X1 GR5		
8.	803-025C	NUT HEX 3/4-10 PLT NYLOCK		
9.	803-043C	NUT HEX WHIZ 5/16-18 PLT		
10.	803-169C	NUT HEX FLG LOCK 1/2-13 PLT		
11.	803-316C	NUT HEX LOCK 1-8 PLT		
12.	804-016C	WASHER FLAT 1/2 SAE PLT		
13.	804-025C	WASHER FLAT 3/4 SAE PLT		
14.	804-029C	WASHER FLAT 1 SAE		
15.	805-622C	PIN GROOVE 3/8X1 1/2 TYPE A		
16.	807-271C	SPRING COMP 3.20OD .63W 5.5L		
17.	817-875C	SLEEVE BEARING 1 I.D.		
18.	827-158C	SLEEVE BEARING 1.25ID X 1.25		
19.	890-401C	SMV MOUNTING SOCKET		

Axle Wing

Applies to RC3712, RCG3712, RCGM3712, RCM3712



70630

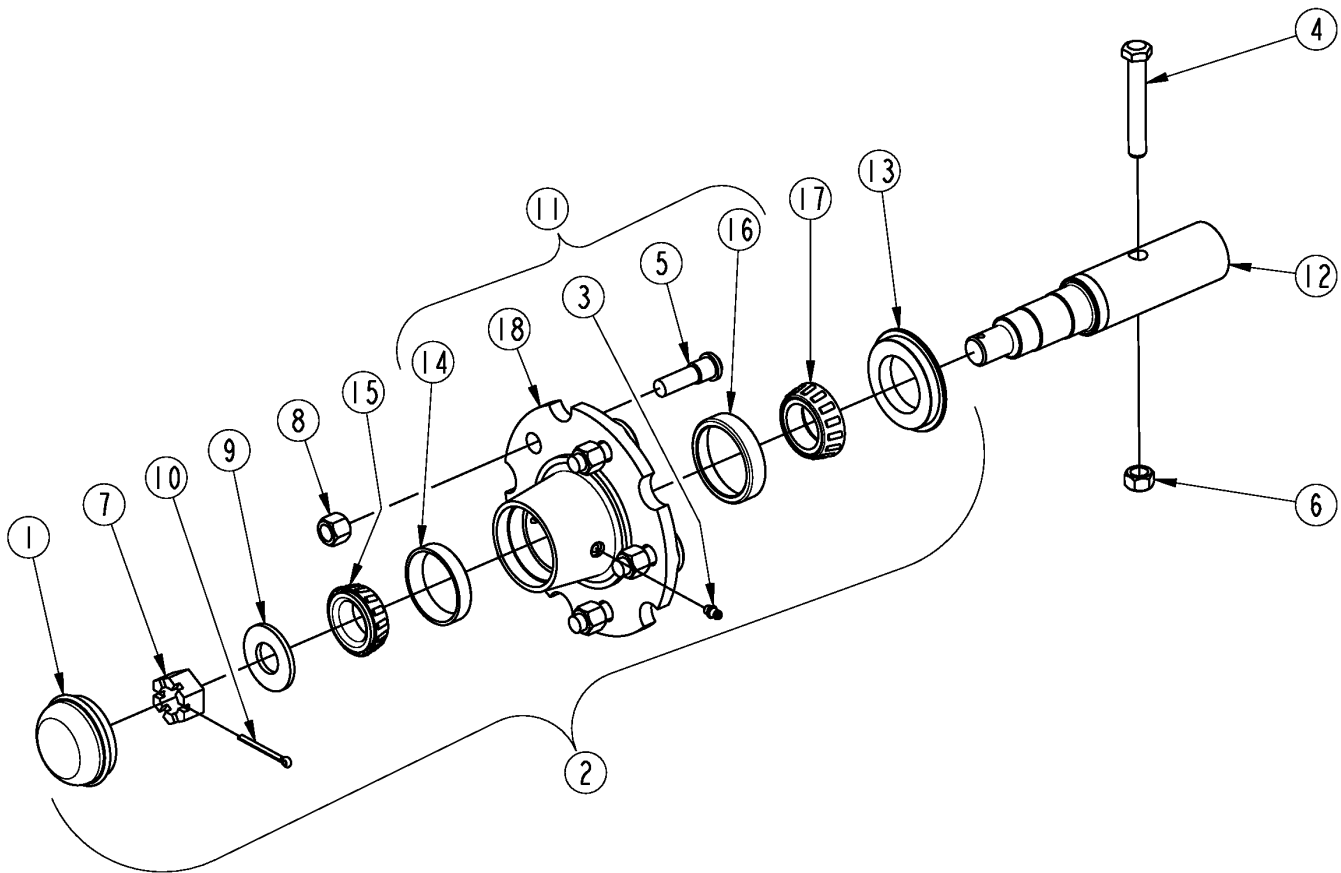
Axle Wing

Applies to RC3712, RCG3712, RCGM3712, RCM3712

Ref	Part No.	Part Description	Comments	Revision
	Dwg 70630	Image No.		
1.	331-492H	RH WING AXLE	Right axle	
1.	334-172H	LH WING AXLE	Left axle	
2.	331-496S	SHORT SPINDLE AND HUB ASY		
3.	331-958D	PIVOT PIN 1" SHORT		
4.	803-025C	NUT HEX 3/4-10 PLT NYLOCK		
5.	804-025C	WASHER FLAT 3/4 SAE PLT		
6.	805-622C	PIN GROOVE 3/8X1 1/2 TYPE A		
7.	817-875C	SLEEVE BEARING 1 I.D.		

Spindle & Hub Assembly (331-496S)

Applies to RC3712, RCG3712, RCGM3712, RCM3712



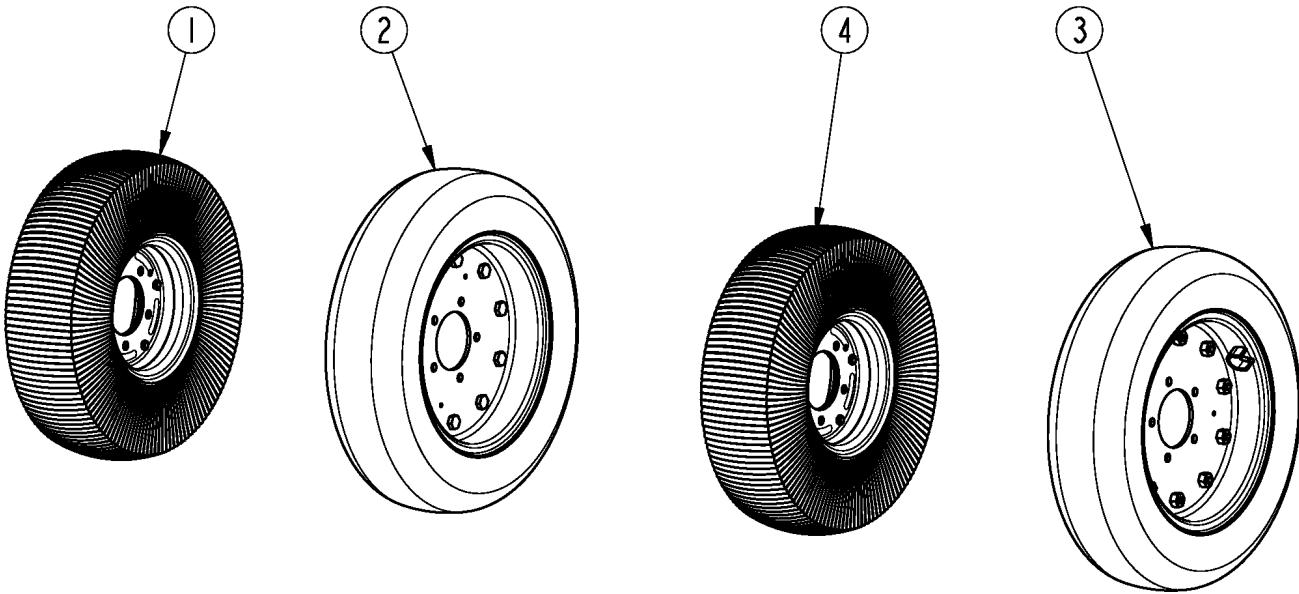
70721

Spindle & Hub Assembly (331-496S)**Applies to RC3712, RCG3712, RCGM3712, RCM3712**

Ref	Part No.	Part Description	Comments	Revision
	Dwg 70721 331-496S	Image No. SHORT SPINDLE AND HUB ASY *		
1.	200-001D	HUB GREASE CAP		
2.	334-565V	HUB 5 BOLT COMPLETE		
3.	800-080C	GREASE ZERK 1/4-28 THD FORMING		
4.	802-099C	HHCS 1/2-13X3 1/4 GR5		
5.	802-779C	HUB STUD 1/2-20X1.88 GR5		
6.	803-019C	NUT LOCK 1/2-13 PLT		
7.	803-029C	NUT HEX SLOTTED 7/8-14 PLT		
8.	803-310C	NUT HEX 1/2-20 X 5/8 HIGH		
9.	804-055C	WASHER SPINDLE - 7/8		
10.	805-246C	PIN COTTER 5/32 X 1 3/4 LG		
11.	815-243C	HUB 5-BOLT W/CUPS/STUDS		
12.	815-509C	SINGLE AXLE SPINDLE, SHORT		
13.	816-835C	HD PURGEABLE SEAL 1.75X2.71		
14.	822-020C	BRG CUP LM-67010		
15.	822-021C	BRG CONE 1.25ID LM-67048		
16.	822-033C	BRG CUP LM-48510		
17.	822-034C	BRG CONE LM-48548		
18.	815-242C	HUB 5-BOLT CASTING		

Tire Options

Applies to RC3712, RCG3712, RCGM3712, RCM3712



70632

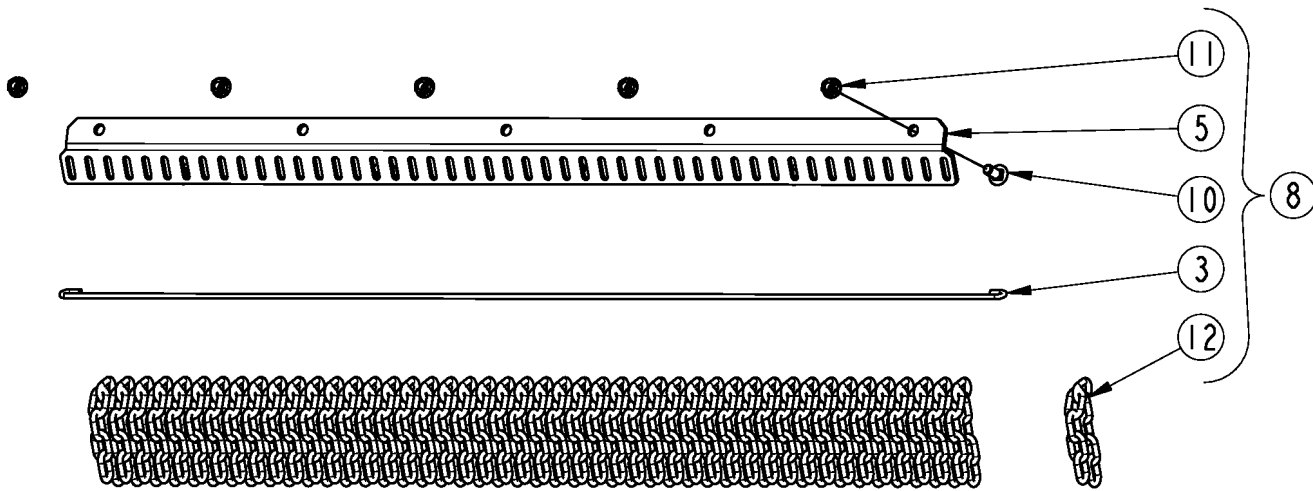
Tire Options

Applies to RC3712, RCG3712, RCGM3712, RCM3712

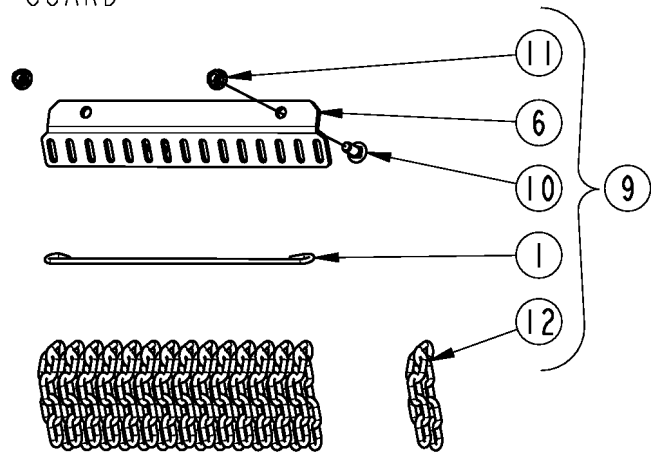
Ref	Part No.	Part Description	Comments	Revision
	Dwg 70632	Drawing Image Number		
1.	814-265C	TIRE & WHL LAM. 6X9X21(5-BOLT)		
2.	814-478C	NEW TIRE FF 25.5X8-14 20PLY		
3.	814-480C	NEW TIRE 25.5X8-14 20PLY		
4.	814-673C	TIRE & WHL LAM 6X26 (5-BOLT)		

Guards Chain Double Row Front

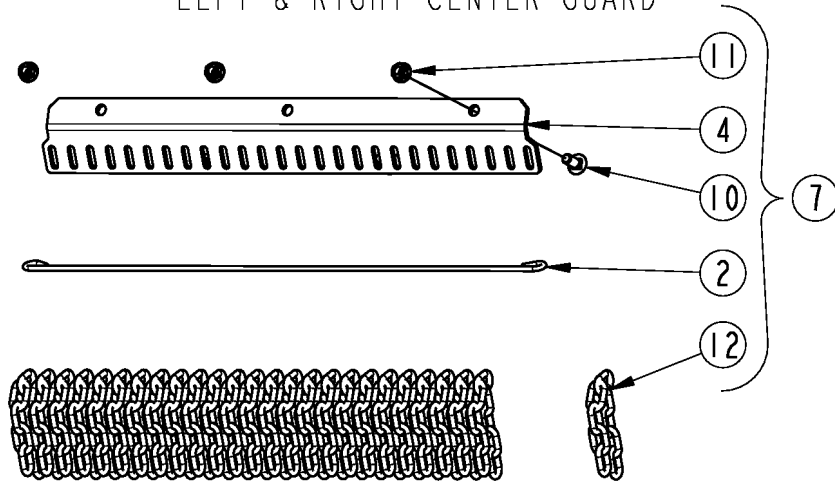
Applies to RC3712, RCG3712, RCGM3712, RCM3712



LEFT & RIGHT WING GUARD



LEFT & RIGHT CENTER GUARD



CENTER GUARD

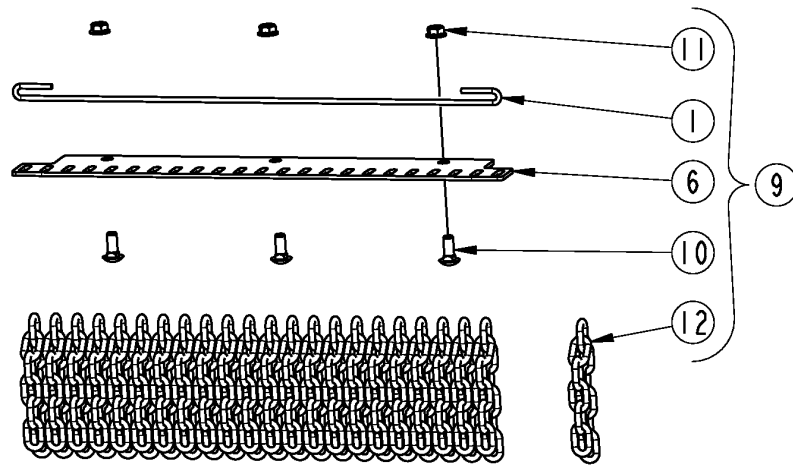
70636

Guards Chain Double Row Front**Applies to RC3712, RCG3712, RCGM3712, RCM3712**

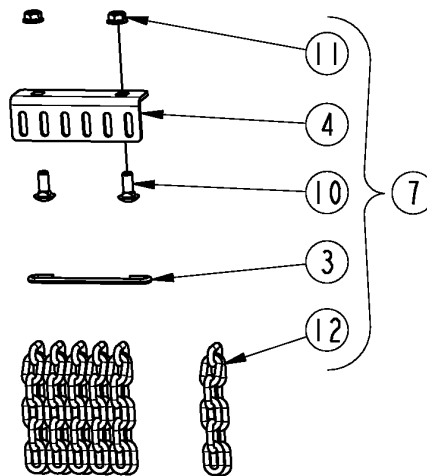
Ref	Part No.	Part Description	Comments	Revision
	Dwg 70636 334-195A	Image No. DOUBLE CHAIN GUARDS	Includes complete front and rear double chain guard assemblies	
		*		
1.	318-141D	ROUND ROD 1/4 X 19		
2.	318-143D	ROUND ROD 1/4 X 34		
3.	330-305D	ROUND ROD 1/4 X 58		
4.	331-236D	CHAIN GUARD, FNT CTR		
5.	331-588D	FRONT WING CHAIN GUARD		
6.	331-589D	CHAIN GUARD, FRNT CTR OUTSIDE		
7.	331-738K	CHAIN GUARD, DBL FNT CTR		
8.	334-185K	CHAIN GUARD, DBL FNT WING		
9.	334-187K	CHAIN GUARD, DBL FNT CTR OUTER		
10.	802-214C	RHSNB 1/2-13X1 1/4 GR5		
11.	803-037C	NUT HEX WHIZ 1/2-13 PLT GR5		
12.	891-212C	CHAIN WELD 5/16 GR 43 X 9-LINK		

Guards Chain Double Row Rear

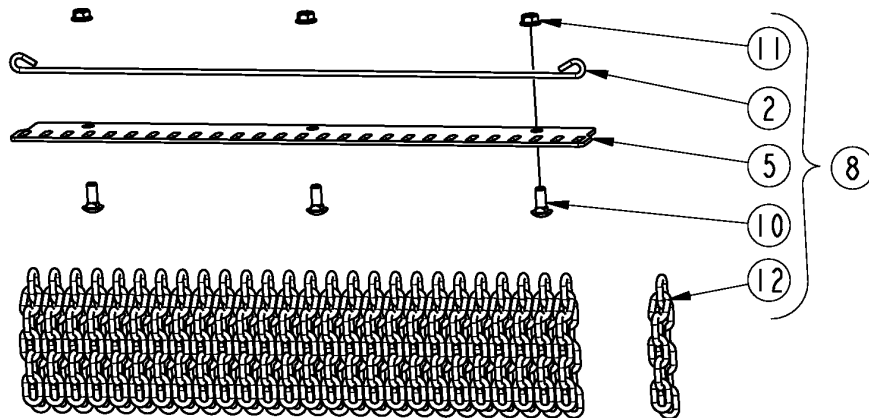
Applies to RC3712, RCG3712, RCGM3712, RCM3712



LEFT & RIGHT WING GUARD



LEFT & RIGHT CENTER GUARD



CENTER GUARD

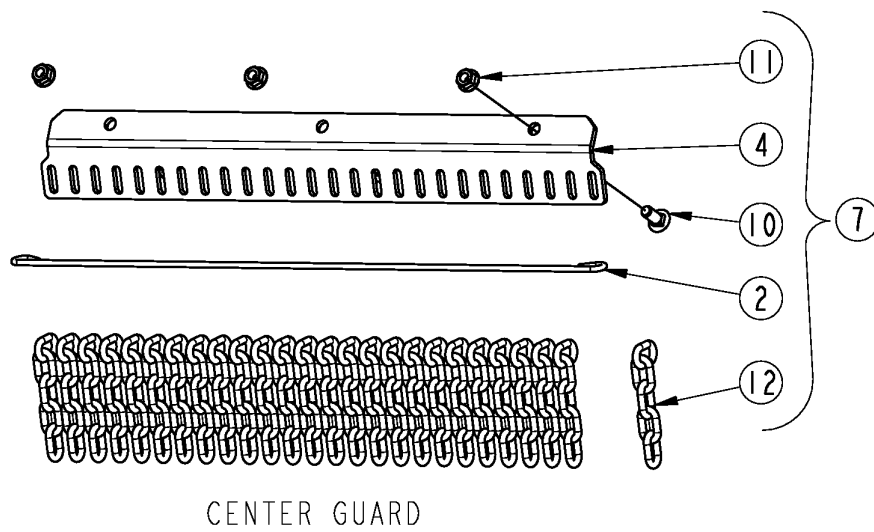
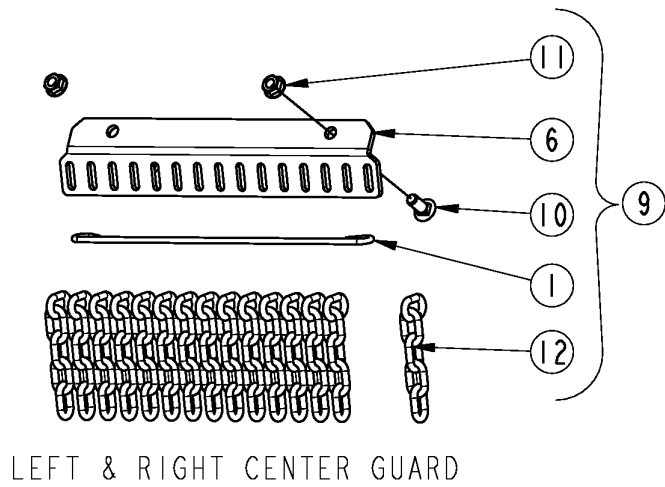
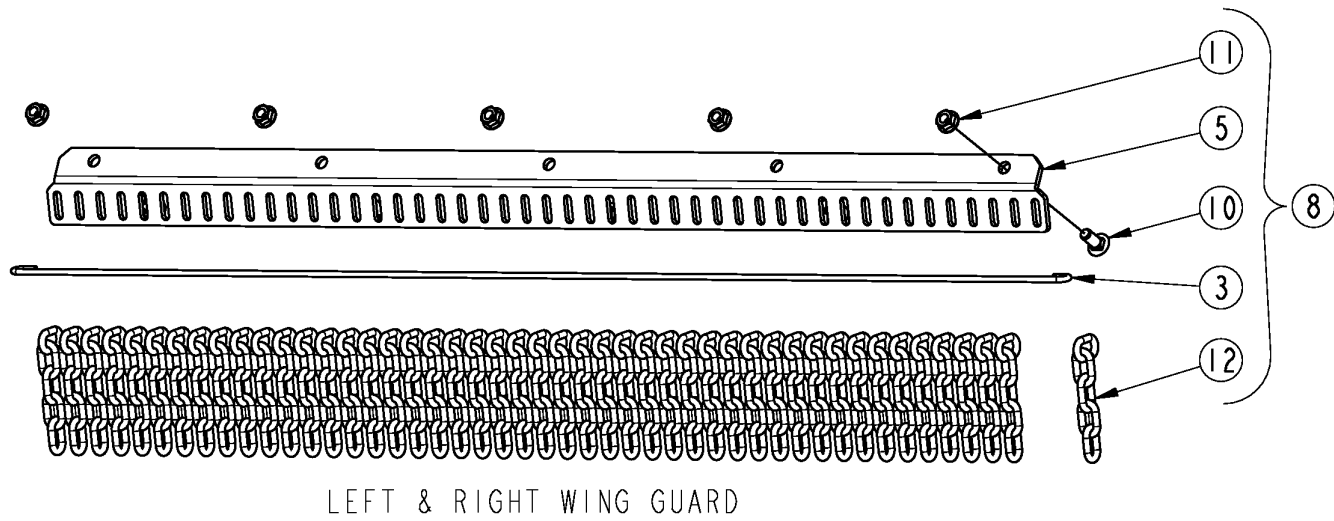
70637

Guards Chain Double Row Rear**Applies to RC3712, RCG3712, RCGM3712, RCM3712**

Ref	Part No.	Part Description	Comments	Revision
	Dwg 70637 334-195A	Image No. DOUBLE CHAIN GUARDS	Includes complete front and rear double chain guard assemblies	
		*		
1.	312-891D	ROUND ROD 1/4 X 30 1/2		
2.	318-143D	ROUND ROD 1/4 X 34		
3.	318-641D	ROUND ROD .25 X 9		
4.	331-238D	CHAIN GUARD, REAR CTR OUTER		
5.	331-590D	CHAIN GUARD, REAR CNTR		
6.	331-591D	CHAIN GUARD, REAR WING		
7.	331-740K	CHAIN GUARD, DBL REAR CTR OUT		
8.	334-189K	CHAIN GUARD, DBL REAR CTR		
9.	334-191K	CHAIN GUARD, DBL REAR WING		
10.	802-214C	RHSNB 1/2-13X1 1/4 GR5		
11.	803-037C	NUT HEX WHIZ 1/2-13 PLT GR5		
12.	891-208C	CHAIN WELD 5/16 GR 43X11-LINK		

Guards Chain Single Row Front

Applies to RC3712, RCG3712, RCGM3712, RCM3712



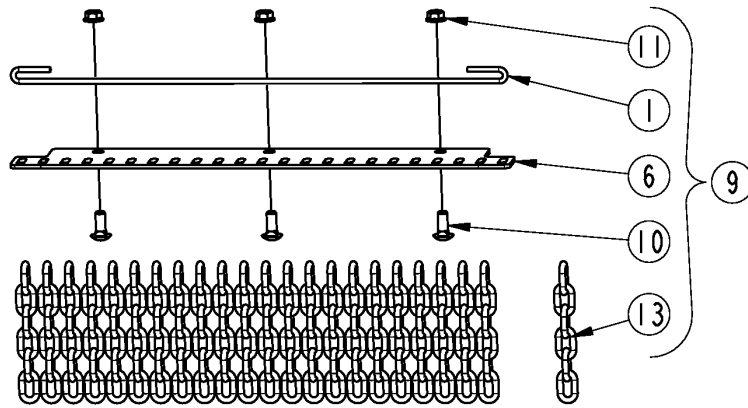
70633

Guards Chain Single Row Front**Applies to RC3712, RCG3712, RCGM3712, RCM3712**

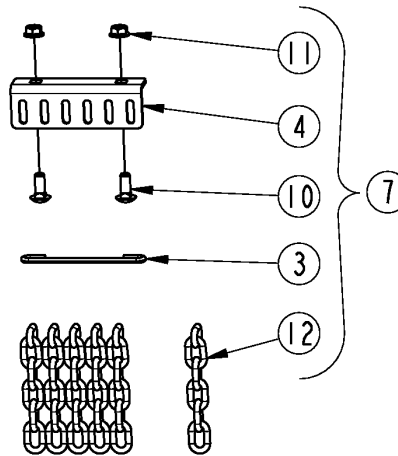
Ref	Part No.	Part Description	Comments	Revision
	Dwg 70633 334-194A	Image No. SINGLE CHAIN GUARDS	Includes complete front and rear single chain guard assemblies	
		*		
1.	318-141D	ROUND ROD 1/4 X 19		
2.	318-143D	ROUND ROD 1/4 X 34		
3.	330-305D	ROUND ROD 1/4 X 58		
4.	331-236D	CHAIN GUARD, FNT CTR		
5.	331-588D	FRONT WING CHAIN GUARD		
6.	331-589D	CHAIN GUARD, FRNT CTR OUTSIDE		
7.	331-729K	CHAIN GUARD, SGL FNT CTR		
8.	334-184K	CHAIN GUARD, SGL FNT WING		
9.	334-186K	CHAIN GUARD, SGL FNT CTR OUTER		
10.	802-214C	RHSNB 1/2-13X1 1/4 GR5		
11.	803-037C	NUT HEX WHIZ 1/2-13 PLT GR5		
12.	890-341C	CHAIN WELD 5/16 GR 43 X 5 LINK		

Guards Chain Single Row Rear

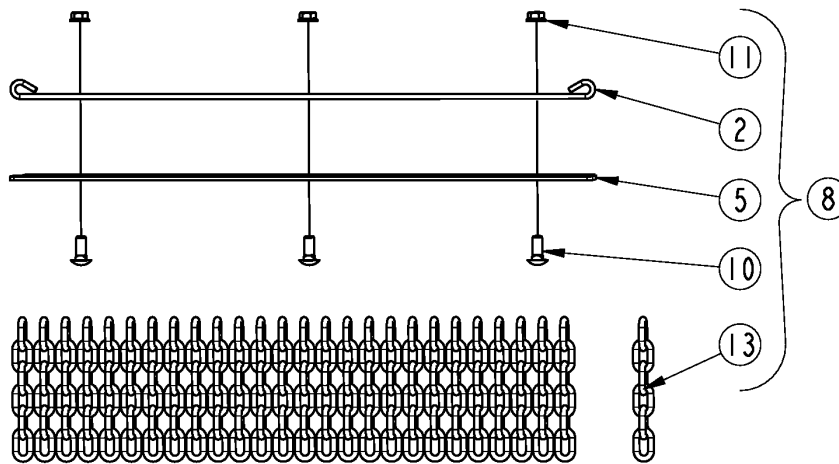
Applies to RC3712, RCG3712, RCGM3712, RCM3712



LEFT & RIGHT WING GUARD



LEFT & RIGHT CENTER GUARD



CENTER GUARD

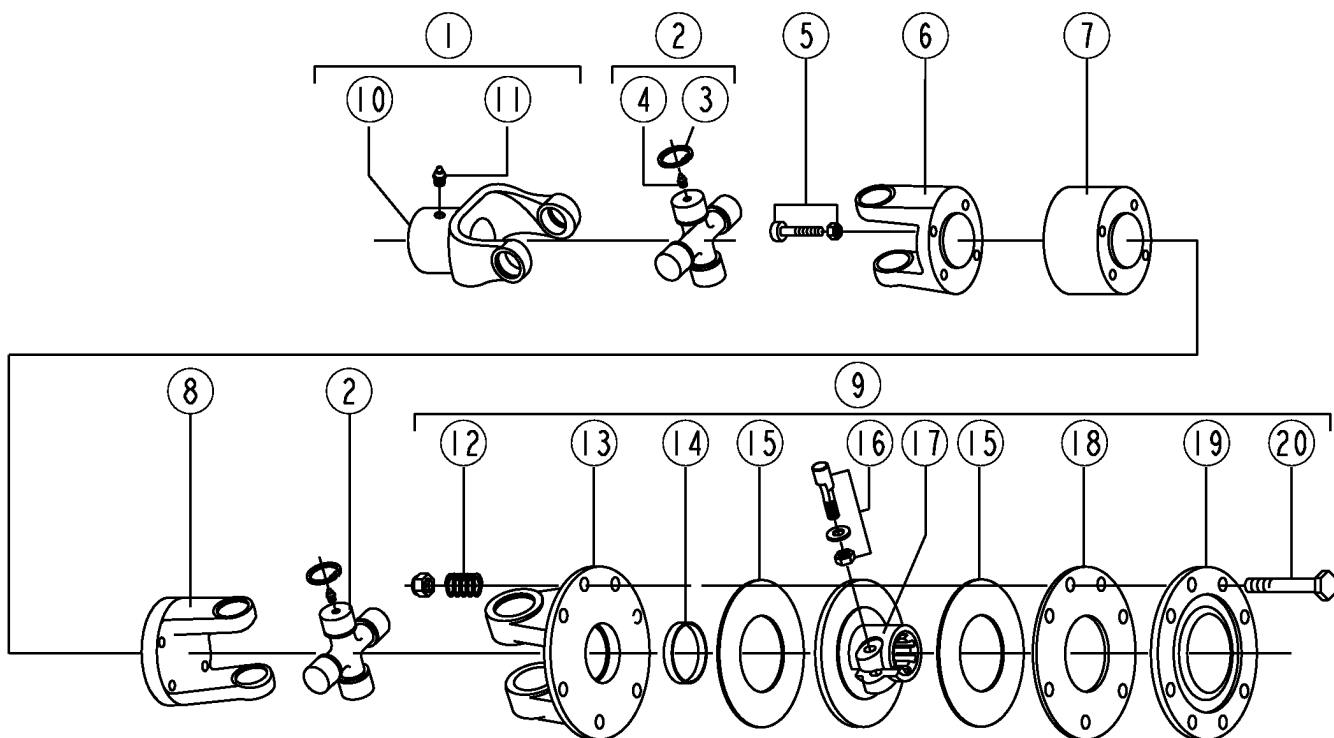
70635

Guards Chain Single Row Rear**Applies to RC3712, RCG3712, RCGM3712, RCM3712**

Ref	Part No.	Part Description	Comments	Revision
	Dwg 70635 334-194A	Image No. SINGLE CHAIN GUARDS	Includes complete front and rear single chain guard assemblies	
		*		
1.	312-891D	ROUND ROD 1/4 X 30 1/2		
2.	318-143D	ROUND ROD 1/4 X 34		
3.	318-641D	ROUND ROD .25 X 9		
4.	331-238D	CHAIN GUARD, REAR CTR OUTER		
5.	331-590D	CHAIN GUARD, REAR CNTR		
6.	331-591D	CHAIN GUARD, REAR WING		
7.	331-731K	CHAIN GUARD, SGL REAR CTR OUT		
8.	334-188K	CHAIN GUARD, SGL REAR CTR		
9.	334-190K	CHAIN GUARD, SGL REAR WING		
10.	802-214C	RHSNB 1/2-13X1 1/4 GR5		
11.	803-037C	NUT HEX WHIZ 1/2-13 PLT GR5		
12.	890-175C	CHAIN 5/16 GR 43 X 6 LINKS PLT		
13.	890-175C	CHAIN 5/16 GR 43 X 6 LINKS PLT		

Driveline (826-802C) Comer

Applies to RC3712, RCG3712, RCGM3712, RCM3712



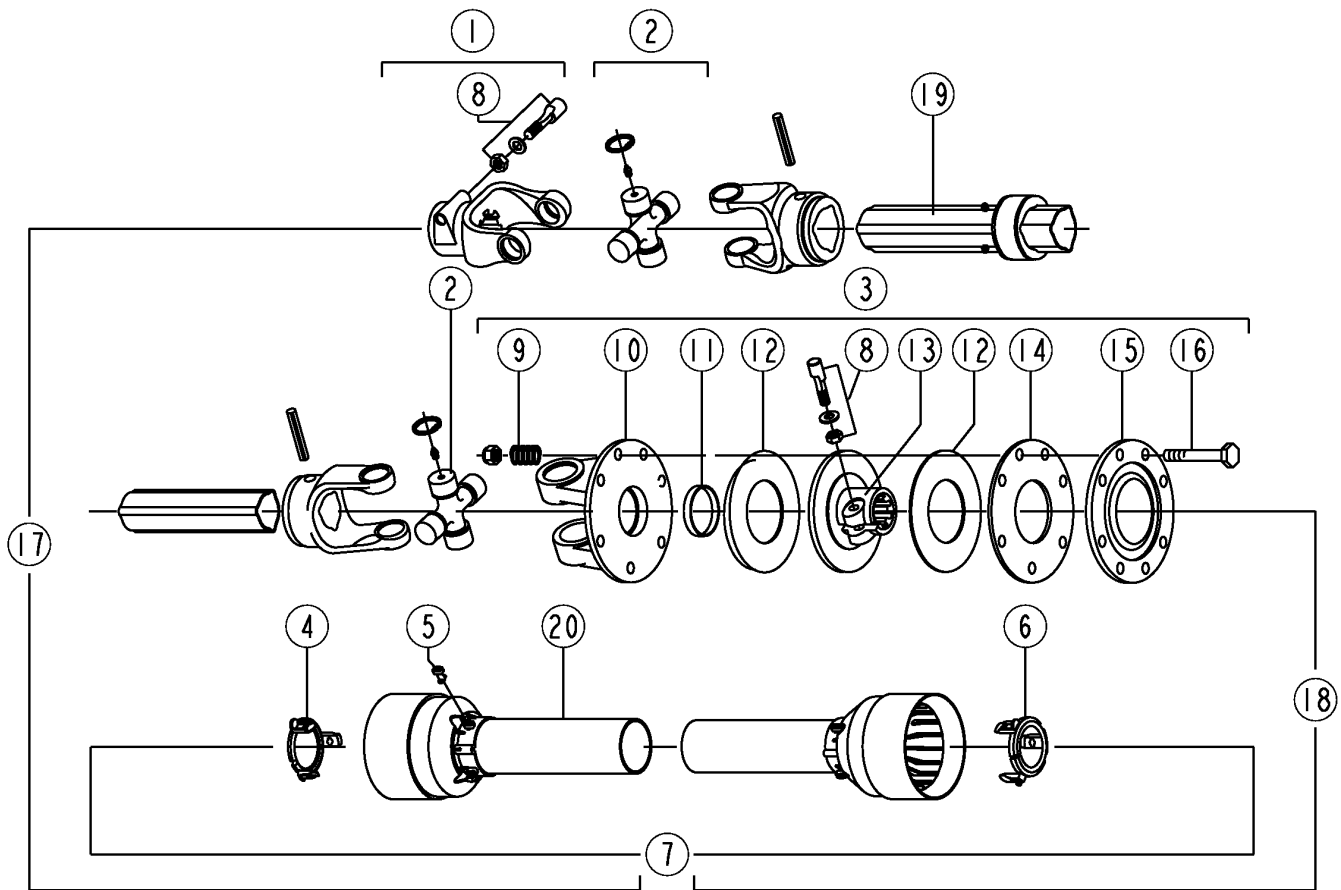
70723

Driveline (826-802C) Comer**Applies to RC3712, RCG3712, RCGM3712, RCM3712**

Ref	Part No.	Part Description	Comments	Revision
	Dwg 70723	Image No.		
1.	141.026.465.1	CO YOKE WITH GREASE NIPPLE		
2.	180.016.780	CO CROSS JOURNAL SET		
3.	190.000.032	CO CIRCLIP		
4.	190.000.047	CO GREASE NIPPLE		
5.	165.000.596	CO BOLT & NUT M23X90		
6.	151.016.339.1	CO FLANGED YOKE MALE		
7.	151.016.346.1	CO RETAINING WASHER		
8.	151.016.340.1	CO FLANGED YOKE FEMALE		
9.	146.262.032.1	CO COMPLETE DISC CLTCH F29		
10.	151.016.465.1	CO YOKE		
11.	190.000.020	COMER GREASE FITTING		
12.	180.019.017	CO SPRING		
13.	151.016.037.1	COMER YOKE, FLANGED		
14.	180.019.019	COMER BUSH		
15.	180.019.018	RPBY 180.019.340		
16.	165.000.589	COMER TAPERED PIN SET 1 3/4		
17.	151.016.344.1	CO CLUTCH SUPPORT F29		
18.	180.019.014	COMER INNER PLATE		
19.	180.019.116.1	COMER PRESSURE PLATE		
20.	165.000.549	CO BOLT M10X85 & NUT		

Driveline (826-803C) Comer

Applies to RC3712, RCG3712, RCGM3712, RCM3712



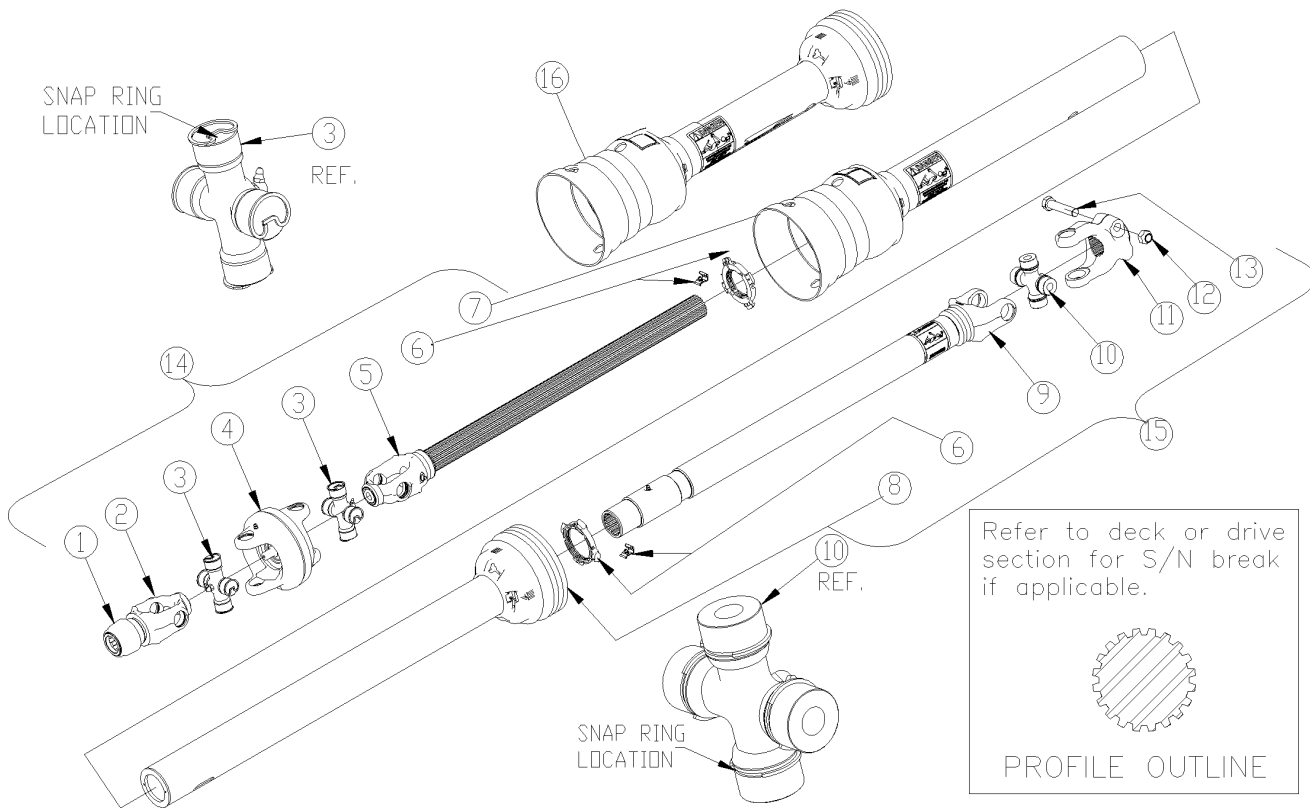
70725

Driveline (826-803C) Comer**Applies to RC3712, RCG3712, RCGM3712, RCM3712**

Ref	Part No.	Part Description	Comments	Revision
	Dwg 70725	Image No.		
1.	141.026.357.1	COMER YOKE COMPLETE		
2.	180.016.780	CO CROSS JOURNAL SET		
3.	146.262.032.1	CO COMPLETE DISC CLTCH F29		
4.	8180.016.237	OB RPBY 180.016.237		
5.	8180.014.240	RPBY 180.014.240		
6.	8180.016.238	RPBY 180.016.238		
7.	142.260.5287621	CO COMPLETE GUARD W/ INSTR MNL		
8.	165.000.589	COMER TAPERED PIN SET 1 3/4		
9.	180.019.017	CO SPRING		
10.	151.016.037.1	COMER YOKE, FLANGED		
11.	180.019.019	COMER BUSH		
12.	180.019.340	COMER LINING RING		
13.	151.016.344.1	CO CLUTCH SUPPORT F29		
14.	180.019.014	COMER INNER PLATE		
15.	180.019.116.1	COMER PRESSURE PLATE		
16.	165.000.549	CO BOLT M10X85 & NUT		
17.	8123.360.515.11	CO HALF FEMALE SHFT W/GUARDING		
18.	8123.460.1070.11	CO HALF MALE SHFT W/GUARDING		
19.	190.000.098	COMER DANGER LABEL OUTER TUBE		
20.	190.000.099	COMER DANGER LABEL GUARD OUTER		

Driveline CV 1.38 1000 RPM (826-644C) Weasler

Applies to RCGM3712, RCM3712



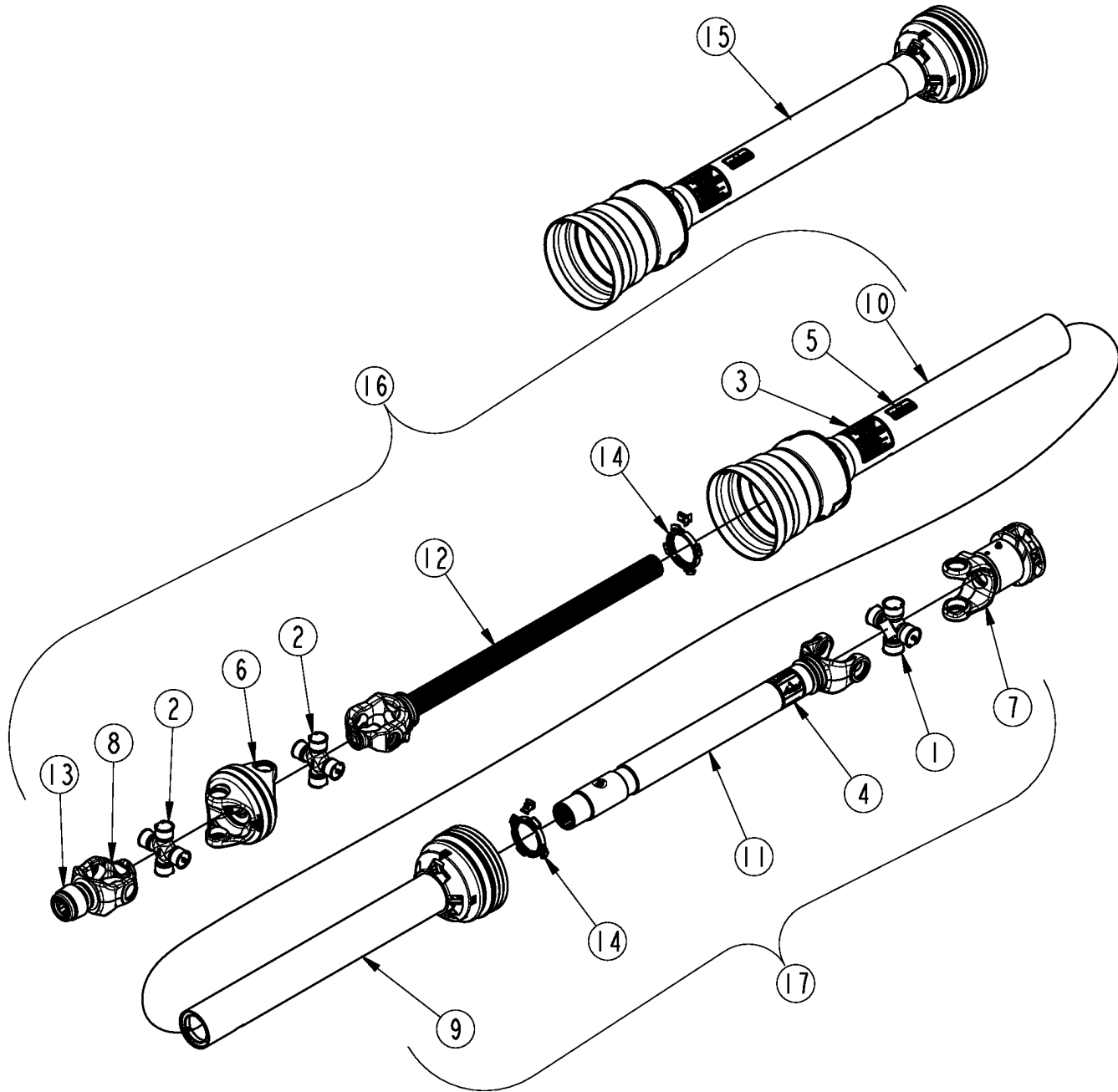
37911

Driveline CV 1.38 1000 RPM (826-644C) Weasler**Applies to RCGM3712, RCM3712**

Ref	Part No.	Part Description	Comments	Revision
	Dwg 37911 826-644C	Image No. DRVLN C6 42 1.38-21 CV *		
1.	26-15120	WE SSL/AUTO-LOK REPAIR KIT		
2.	68810-1003	WE WWCV AUTO-LOK YOKE ASM		
3.	03-15570	WE AB8/AW25EBL CROSS KIT		
4.	26-16033	WE WWCV CENTER HOUSING		
5.	99-24406	WE YOKE&SHAFT (1.69-20 SPLINE)		
6.	19-15135	WE GUARD REPAIR KIT		
7.	97-25023	WE OUTER GUARD		
8.	96-24406	WE INNER GUARD		
9.	98-24406	WE YOKE, TUBE & SLIP SLEEVE		
10.	03-15316	WE 55EBL CROSS KIT		
11.	55051-1817	WE YOKE		
12.	11-14988	WE LOCK NUT .625-11		
13.	11-15180	WE BOLT .625-11 X 3.00L GR8		
14.	93-25023	WE JOINT&SHFT HALF ASM W/GUARD		
15.	92-24406	WE JOINT&TUBE HALF ASM W/GUARD		
16.	91-25023	WE GUARD SET		

Driveline CV 1.38 1000 RPM W/ Overrunning Clutch (826-793C) Weasler

Applies to RCGM3712, RCM3712



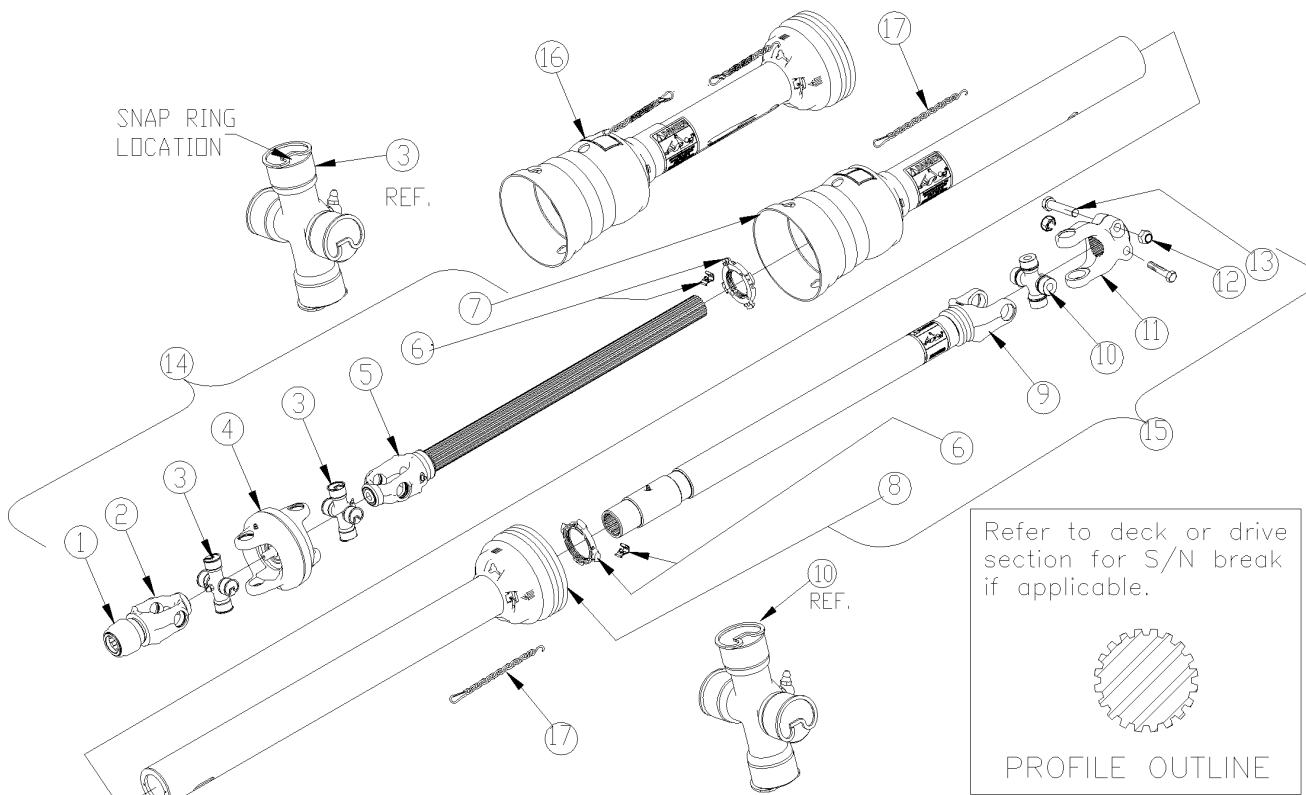
70947

Driveline CV 1.38 1000 RPM W/ Overrunning Clutch (826-793C) Weasler**Applies to RCGM3712, RCM3712**

Ref	Part No.	Part Description	Comments	Revision
	Dwg 70947 826-793C	Image No. DRVLN C6 39 1.38-21 CV ORCLTCH *		
1.	03-15316	WE 55EBL CROSS KIT		
2.	03-15570	WE AB8/AW25EBL CROSS KIT		
3.	13-10021	WE SAFETY SIGN		
4.	13-10022	WE SAFETY SIGN		
5.	13-15249	WE DECAL LAND PRIDE		
6.	26-16033	WE WWCV CENTER HOUSING		
7.	39-10039	WE OVERRUNNING THRST CLTCH ASM		
8.	68810-1003	WE WWCV AUTO-LOK YOKE ASM		
9.	82-26654	WE JOINT & TUBE HALF GUARD SET		
10.	83-26656	WE JOINT & SHFT HALF GUARD SET		
11.	98-26654	WE YOKE, TUBE & SLIP SLEEVE		
12.	99-24406	WE YOKE&SHAFT (1.69-20 SPLINE)		
13.	26-15120	WE SSL/AUTO-LOK REPAIR KIT		
14.	19-15121	WE GUARD REPAIR KIT		
15.	90-26654	WE GUARD SET		
16.	93-25023	WE JOINT&SHFT HALF ASM W/GUARD		
17.	94-26654	WE JOINT & TUBE HALF ASM		

Driveline CV 1.38 540 RPM (826-643C) Weasler

Applies to RC3712, RCG3712



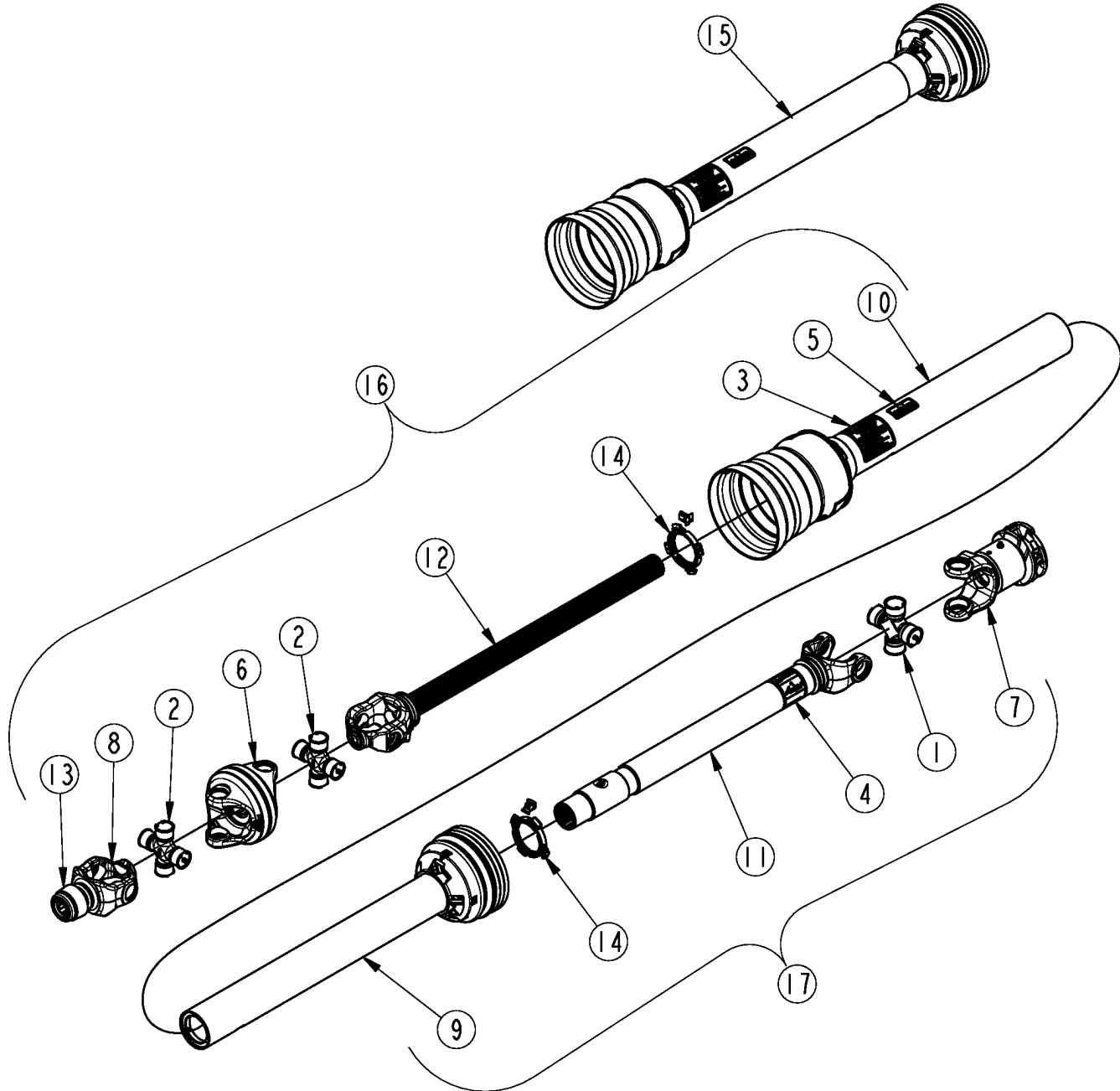
30185

Driveline CV 1.38 540 RPM (826-643C) Weasler**Applies to RC3712, RCG3712**

Ref	Part No.	Part Description	Comments	Revision
	Dwg 30185 826-643C	Image No. DRVLN C6 42 1.38-6 CV *		
1.	26-15120	WE SSL/AUTO-LOK REPAIR KIT		
2.	68810-1004	WE WWCV AUTO-LOK YOKE ASM		
3.	03-15570	WE AB8/AW25EBL CROSS KIT		
4.	26-16033	WE WWCV CENTER HOUSING		
5.	99-24406	WE YOKE&SHAFT (1.69-20 SPLINE)		
6.	19-15135	WE GUARD REPAIR KIT W/ CHAINS		
7.	97-24406	WE OUTER GUARD		
8.	96-24406	WE INNER GUARD		
9.	98-24406	WE YOKE, TUBE & SLIP SLEEVE		
10.	03-15316	WE 55EBL CROSS KIT		
11.	55051-1817	WE YOKE		
12.	11-14988	WE LOCK NUT .625-11		
13.	11-15180	WE BOLT .625-11 X 3.00L GR8		
14.	93-24406	WE JOINT&SHFT HALF ASM W/GUARD		
15.	92-24406	WE JOINT&TUBE HALF ASM W/GUARD		
16.	90-24406	WE GUARD SET		
17.	11-80005	WE CHAIN	(S/N 928934-)	

Driveline CV 1.38 540 RPM W/ Overrunning Clutch (826-884C) Weasler

Applies to RC3712, RCG3712



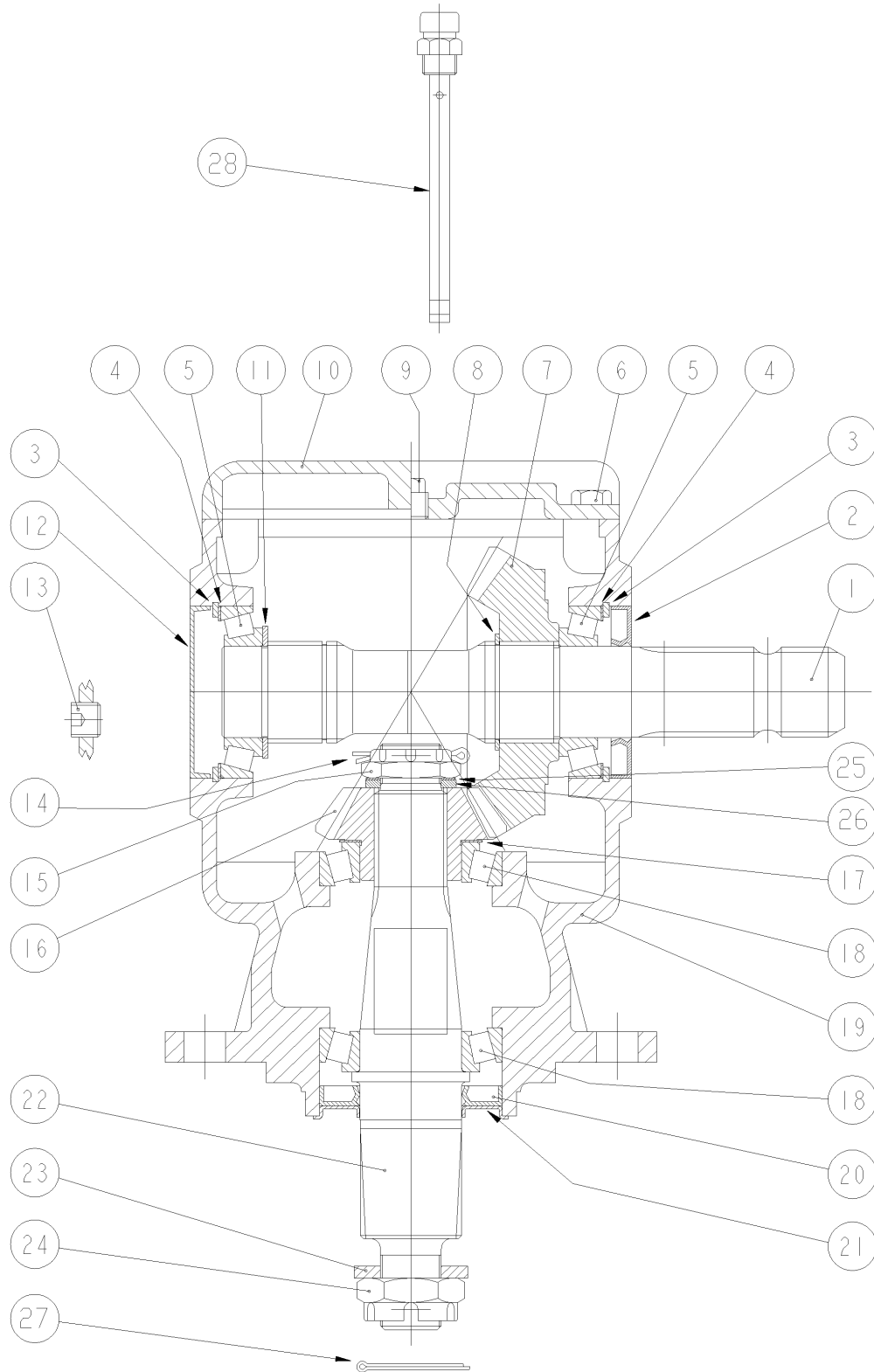
70947

Driveline CV 1.38 540 RPM W/ Overrunning Clutch (826-884C) Weasler**Applies to RC3712, RCG3712**

Ref	Part No.	Part Description	Comments	Revision
	Dwg 70947 826-884C	Image No. DRVLN C6 39 1.38-6 CV ORCL *		
1.	03-15316	WE 55EBL CROSS KIT		
2.	03-15570	WE AB8/AW25EBL CROSS KIT		
3.	13-10021	WE SAFETY SIGN		
4.	13-10022	WE SAFETY SIGN		
5.	13-15256	WE DECAL LAND PRIDE		
6.	26-16033	WE WWCV CENTER HOUSING		
7.	39-10039	WE OVERRUNNING THRST CLTCH ASM		
8.	68810-1004	WE WWCV AUTO-LOK YOKE ASM		
9.	96-26654	WE INNER GUARD		
10.	97-26656	WE OUTER GUARD		
11.	98-26654	WE YOKE, TUBE & SLIP SLEEVE		
12.	99-24406	WE YOKE&SHAFT (1.69-20 SPLINE)		
13.	26-15120	WE SSL/AUTO-LOK REPAIR KIT		
14.	19-15121	WE GRD REPAIR KIT		
15.	90-26656	WE GUARD SET		
16.	93-24406	WE JOINT&SHFT HALF ASM W/GUARD		
17.	94-26654	WE JOINT & TUBE HALF ASM		

Gearbox (826-722C) Comer

Applies to RC3712, RCG3712, RCGM3712, RCM3712



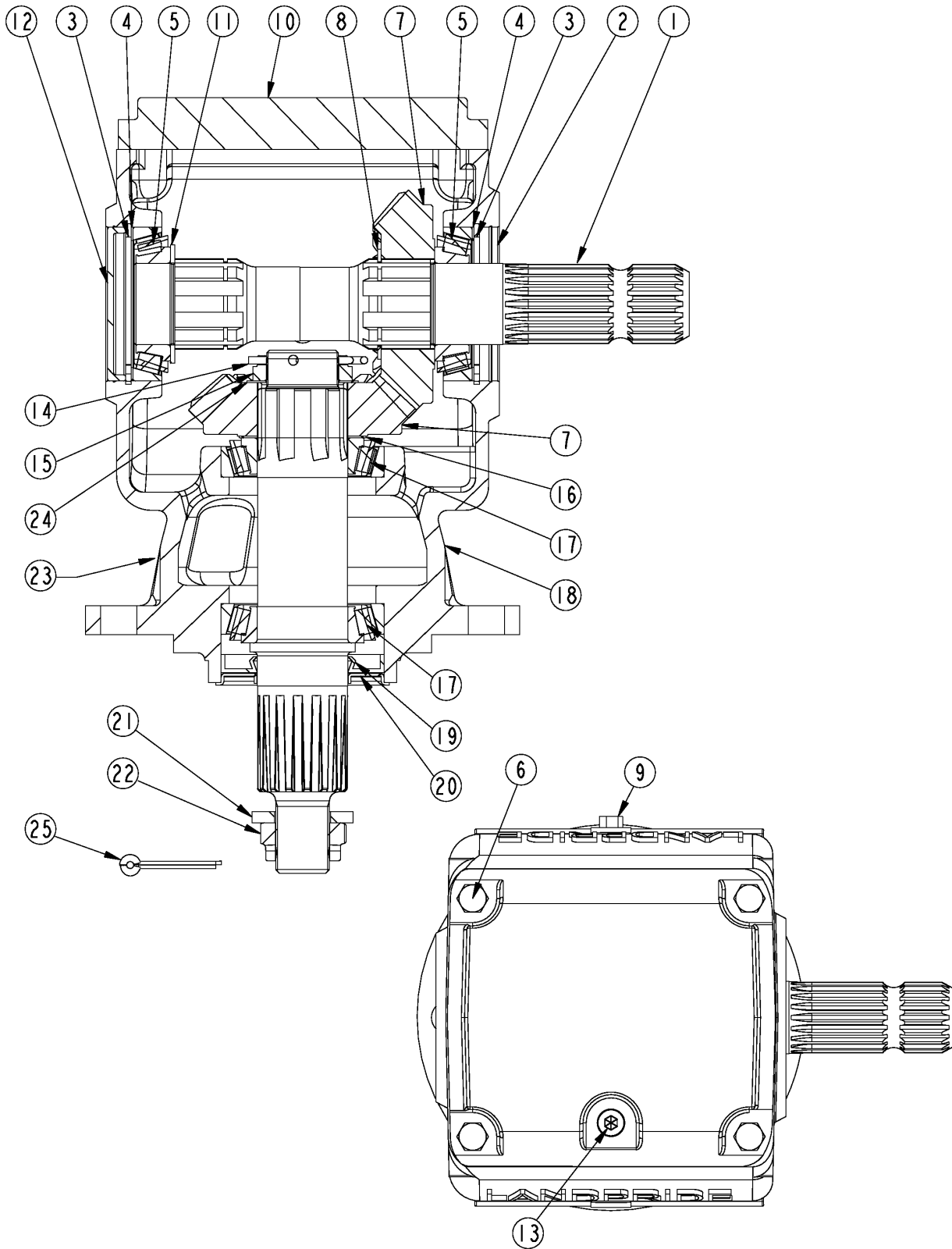
33921

Gearbox (826-722C) Comer**Applies to RC3712, RCG3712, RCGM3712, RCM3712**

Ref	Part No.	Part Description	Comments	Revision
	Dwg 33921 826-722C	Drawing Image Number GBOX RC35 1.75-20 1:1.69 STD *		
1.	0.210.2001.00	CO INPUT SHAFT 1.75-20		
2.	8.7.1.02348	CO DUST LIP (45X85X10)		
3.	8.5.2.00332	CO SNAP RING UNI 7437		
4.	A.709.500	COMER SHIM KIT		
5.	8.0.9.00143	CO BRG 30209 TAPPED		
6.	8.1.1.00501	CO BOLT M10X22 HHB		
7.	0.210.6002.00	RPBY 2.210.5006.00	Obsolete	
8.	8.5.1.00533	CO SNAP RING 50 UNI7435		
9.	8.6.5.00006	CO OIL PLUG 3/8		
10.	0.210.1300.00	CO COVER		
11.	0.252.7525.00	CO SHIM 45.3X2.5		
12.	0.121.7101.00	CO CAP		
13.	8.6.6.00201	CO PLUG 3/8 GAS (SOLID PLUG)		
14.	8.4.7.02265	CO COTTER PIN B 5X60		
15.	0.132.7106.00	CO NUT M30 X 1.5		
16.	0.210.5002.00	CO PINION Z16 M5.3		
17.	A.712.500	COMER SHIM KIT		
18.	04-011	ITG BRG ASSEMBLY		
19.	0.210.0300.00	CO CASTING & MACHINE		
20.	8.7.1.01107	CO SEAL (50x90x10)		
21.	0.139.7100.00	CO SEAL RETAINER		
22.	0.210.3001.00	CO OUTPUT SHAFT		
23.	0.139.7101.00	CO BLANK WASHER		
24.	8.2.2.00555	CO NUT, CASTLE M30 X 2		
25.	0.102.7510.00	CO SHIM 44X30.3X1		
26.	0.276.7101.0	CO SPACER (30.1X44.5X3.6)		
27.	8.4.7.00146	CO COTTER PIN B6 X 60		
28.	826-490C	COMER U0.210.7100.00 DIPSTICK		

Gearbox (826-799C) Comer

Applies to RCGM3712, RCM3712



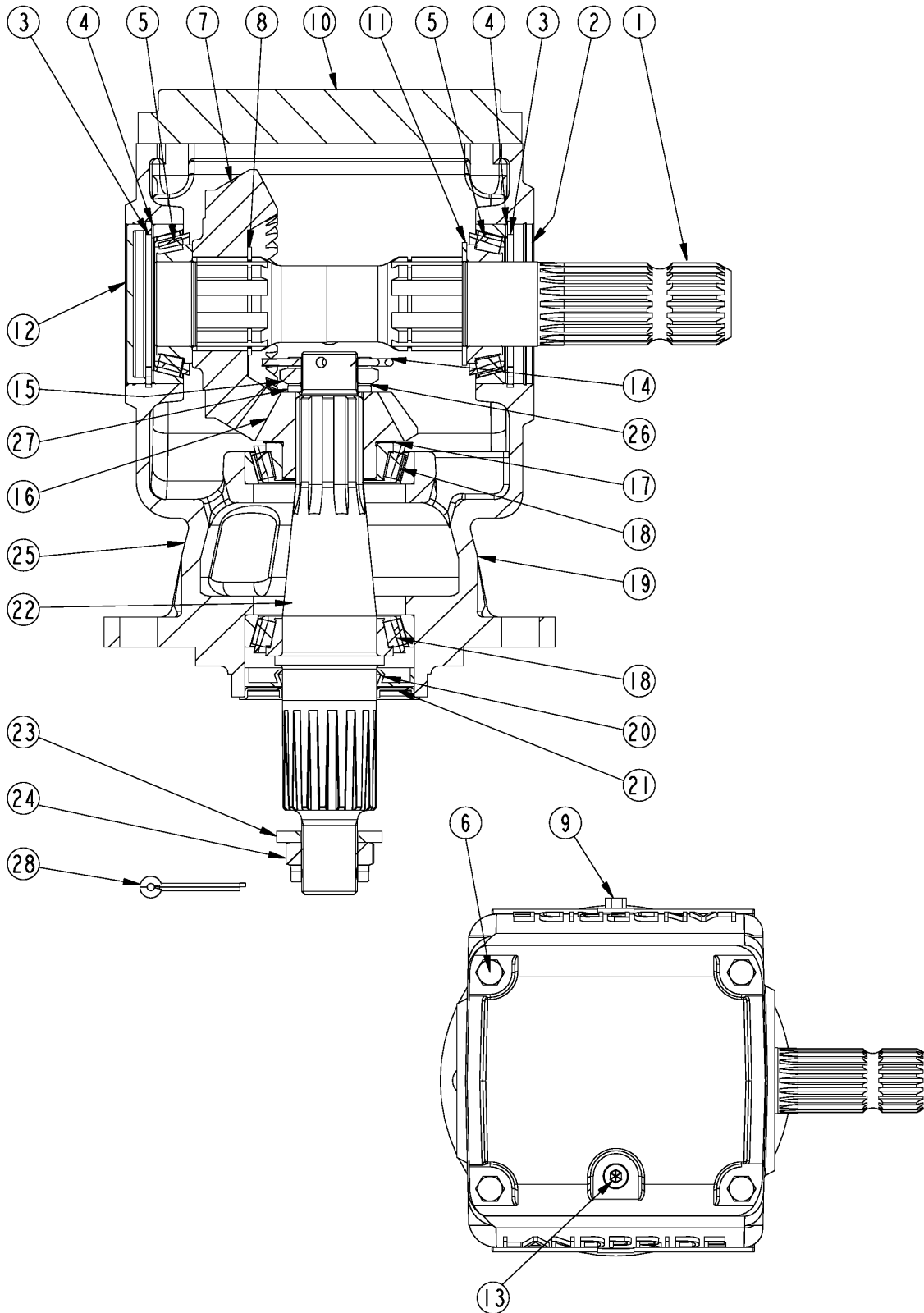
70653

Gearbox (826-799C) Comer**Applies to RCGM3712, RCM3712**

Ref	Part No.	Part Description	Comments	Revision
	Dwg 70653 826-799C	Image No. GBOX RC35 1.75-20 1:1 STD *		
1.	0.210.2001.00	CO INPUT SHAFT 1.75-20		
2.	8.7.1.02348	COMER OIL SEAL 45X85X10		
3.	8.5.2.00332	COMER SNAP RING INT D85 UNI7437		
4.	A.709.500	COMER SHIM KIT 70.3X84.7		
5.	8.0.9.00143	COMER BEARING 30209 TAPERED		
6.	8.1.1.00501	COMER HHB M10X22 GR8.8		
7.	0.227.6000.00	CO CROWN Z17 M7.5		
8.	8.5.1.00533	COMER SNAP RING EXT D50 UNI7435		
9.	8.6.5.00006	CO OIL PLUG 3/8		
10.	0.210.1300.00	CO COVER		
11.	0.252.7525.00	COMER SHIM 65.3X45.3X2.5		
12.	0.121.7101.00	COMER CAP 85X10		
13.	8.6.6.00201	CO PLUG 3/8 GAS (SOLID PLUG)		
14.	8.4.7.02265	CO COTTER PIN B 5X60		
15.	0.132.7107.00	CO NUT M40X1.5		
16.	A.712.500	COMER SHIM KIT 50.3X70.3		
17.	822-214C	BRG CUP/CONE SET 30210		
18.	0.210.0300.00	CO CASTING & MACHINE		
19.	8.7.1.01107	CO SEAL (50x90x10)		
20.	0.139.7100.00	CO SEAL RETAINER		
21.	0.139.7101.00	CO BLANK WASHER		
22.	8.2.2.00555	CO NUT, CASTLE M30 X 2		
23.	0.141.7109.00	CO NAME PLATE		
24.	0.285.7510.00	COMER SHIM 40.3X61.7X1		
25.	8.4.7.00146	CO COTTER PIN B6 X 60		

Gearbox (826-800C) Comer

Applies to RC3712, RCG3712, RCGM3712, RCM3712



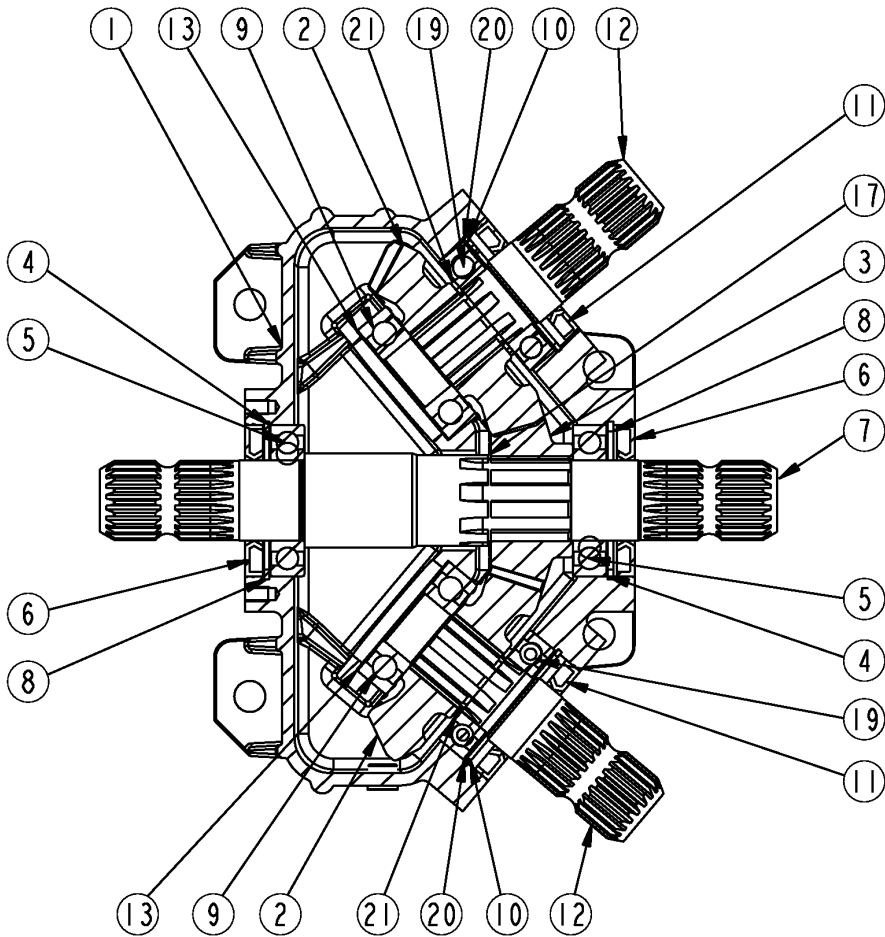
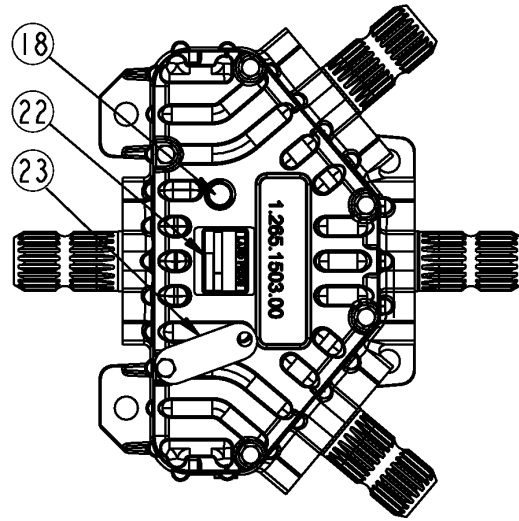
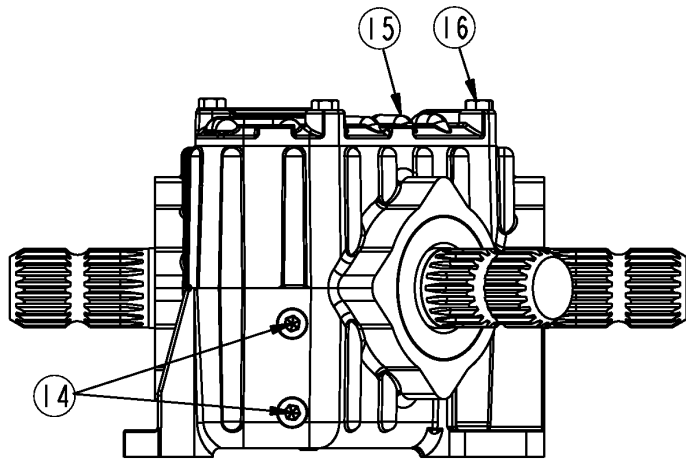
70656

Gearbox (826-800C) Comer**Applies to RC3712, RCG3712, RCGM3712, RCM3712**

Ref	Part No.	Part Description	Comments	Revision
	Dwg 70656 826-800C	Image No. GBOX RC35 1.75-20 1:1.69 REV *		
1.	0.210.2001.00	CO INPUT SHAFT 1.75-20		
2.	8.7.1.02348	COMER OIL SEAL 45X85X10		
3.	8.5.2.00332	COMER SNAP RING INT D85 UNI7437		
4.	A.709.500	COMER SHIM KIT 70.3X84.7		
5.	8.0.9.00143	COMER BEARING 30209 TAPERED		
6.	8.1.1.00501	COMER HHB M10X22 GR8.8		
7.	0.210.6002.00	RPBY 2.210.5006.00	Obsolete	
8.	8.5.1.00533	COMER SNAP RING EXT D50 UNI7435		
9.	8.6.5.0006	CO PLUG EXTERNAL 3/8 GAS		
10.	0.210.1300.00	CO COVER		
11.	0.252.7525.00	COMER SHIM 65.3X45.3X2.5		
12.	0.121.7101.00	COMER CAP 85X10		
13.	8.6.6.00201	CO PLUG 3/8 GAS (SOLID PLUG)		
14.	8.4.7.02265	CO COTTER PIN B 5X60		
15.	0.132.7106.00	CO NUT M30 X 1.5		
16.	0.210.5002.00	CO PINION Z16 M5.3		
17.	A.712.500	COMER SHIM KIT 50.3X70.3		
18.	822-214C	BRG CUP/CONE SET 30210		
19.	0.210.0300.00	CO CASTING & MACHINE		
20.	8.7.1.01107	CO SEAL (50x90x10)		
21.	0.139.7100.00	CO SEAL RETAINER		
22.	0.210.3001.00	CO OUTPUT SHAFT		
23.	0.139.7101.00	CO BLANK WASHER		
24.	8.2.2.00555	CO NUT, CASTLE M30 X 2		
25.	0.141.7109.00	CO NAME PLATE		
26.	0.102.7510.00	CO SHIM 44X30.3X1		
27.	0.276.7101.00	COMER SPACER		
28.	8.4.7.00146	CO COTTER PIN B6 X 60		

Gearbox (826-801C) Comer

Applies to RCGM3712, RCM3712



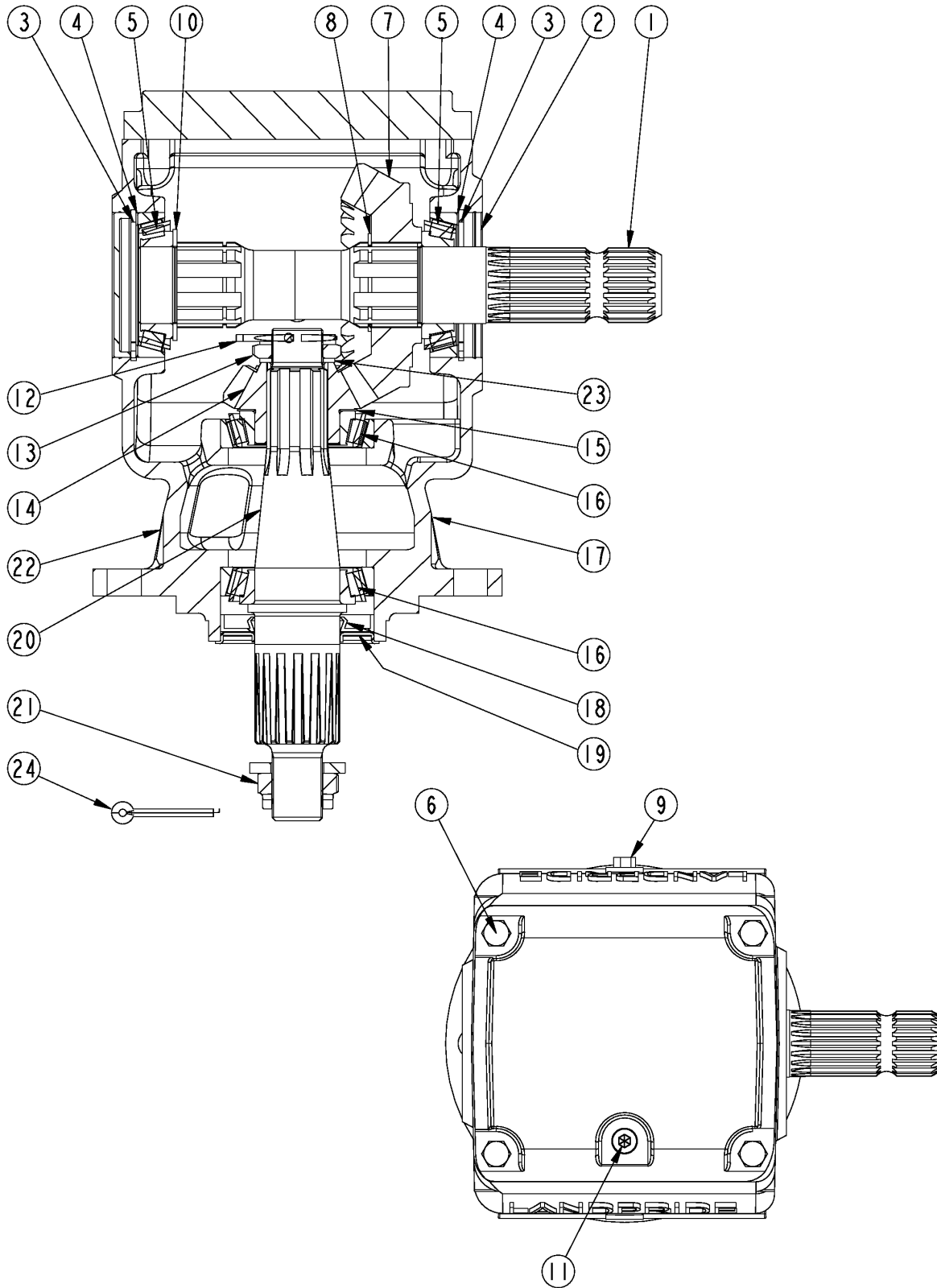
70650

Gearbox (826-801C) Comer**Applies to RCGM3712, RCM3712**

Ref	Part No.	Part Description	Comments	Revision
	Dwg 70650	Image No.		
	826-801C	DIV 1000RPM 1.35:1 *		
1.	0.265.0300.00	CO CASING		
2.	0.265.6206.00	CO BEVEL GEAR FORGED M.75 Z27		
3.	0.265.5207.00	CO BEVEL GEAR FORGED M.75 Z20		
4.	A.709.500	COMER SHIM KIT		
5.	822-189C	BRG BALL 6209		
6.	8.7.1.02348	CO DUST LIP (45X85X10)		
7.	0.263.2004.00	CO SHAFT 1 3/4 Z20		
8.	8.5.2.00332	COMER SNAP RING INT D85 UNI7437		
9.	822-082C	BRG BALL 1.37IDX3.14ODX.82 307		
10.	8.5.2.00030	CO SNAP RING 80 UNI 7437		
11.	8.7.3.00398	CO OIL SEAL 45 X 80 X 10		
12.	0.263.3002.00	CO SHAFT 1 3/4-20		
13.	A.267.503	COMER SHIM KIT Z18 M6.15		
14.	8.6.6.00201	CO PLUG 3/8 GAS (SOLID PLUG)		
15.	0.265.1503.00	COMER COVER		
16.	8.1.1.00449	CO BOLT M8X30 8.8		
17.	8.5.3.01012	CO SNAP RING SW 47		
18.	8.6.0.01202	CO UNDER CAP 1/2 GAS		
19.	822-188C	BRG BALL 6208		
20.	A110.500	CO SHIM 79.7 RTA35		
21.	8.5.1.00680	CO SNAP RING 40 UNI 7436		
22.	0.141.7109.00	CO NAME PLATE		
23.	0.139.7103.00	CO IDENTIFICATION LABEL		
24.	826-497C	COMER VENT #8.6.7.00269		

Gearbox (826-851C) Comer

Applies to RC3712, RCG3712



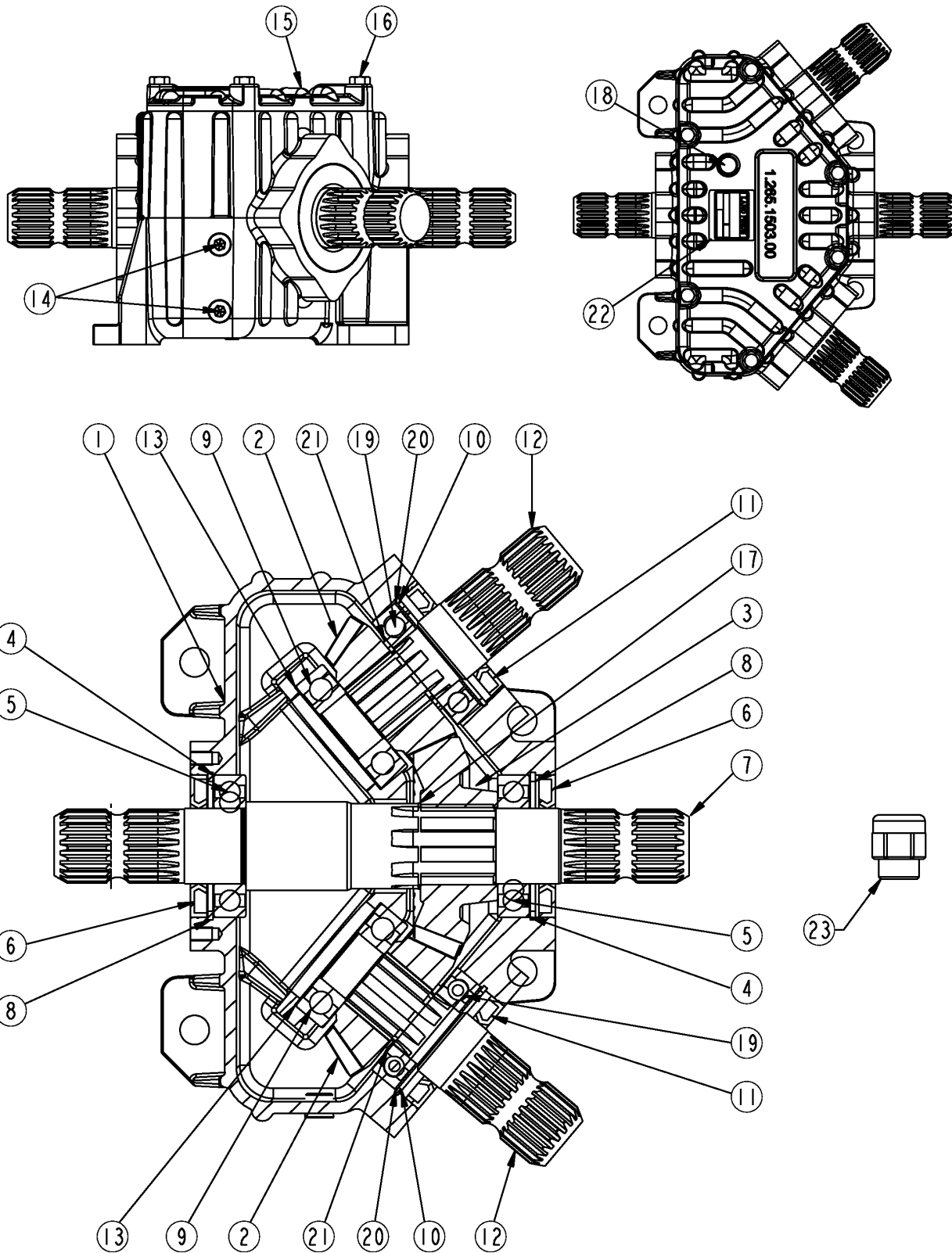
70655

Gearbox (826-851C) Comer**Applies to RC3712, RCG3712**

Ref	Part No.	Part Description	Comments	Revision
	Dwg 70655 826-851C	Image No. GBOX RC35 1.75-20 1:1.83 STD *		
1.	0.210.2001.00	CO INPUT SHAFT 1.75-20		
2.	8.7.1.02348	COMER OIL SEAL 45X85X10		
3.	8.5.2.00332	COMER SNAP RING INT D85 UNI7437		
4.	A.709.500	COMER SHIM KIT 70.3X84.7		
5.	8.0.9.00143	COMER BEARING 30209 TAPERED		
6.	8.1.1.00501	COMER HHB M10X22 GR8.8		
7.	0.227.6001.00	CO CROWN WHEEL Z22 M6.5		
8.	8.5.1.00533	COMER SNAP RING EXT D50 UNI7435		
9.	8.6.5.0006	CO PLUG EXTERNAL 3/8 GAS		
10.	0.252.7525.00	COMER SHIM 65.3X45.3X2.5		
11.	8.6.6.00201	CO PLUG 3/8 GAS (SOLID PLUG)		
12.	8.4.7.02265	CO COTTER PIN B 5X60		
13.	0.132.7106.00	CO NUT M30 X 1.5		
14.	0.227.5001.00	CO PINION Z12 M4.75		
15.	A.712.500	COMER SHIM KIT 50.3X70.3		
16.	822-214C	BRG CUP/CONE SET 30210		
17.	0.210.0300.00	CO CASTING & MACHINE		
18.	8.7.1.01107	CO SEAL (50x90x10)		
19.	0.139.7100.00	CO SEAL RETAINER		
20.	0.210.3001.00	CO OUTPUT SHAFT		
21.	8.2.2.00555	CO NUT, CASTLE M30 X 2		
22.	0.141.7109.00	CO NAME PLATE		
23.	0.102.7525.01	CO SHIM 44.0X30.3X2.5		
24.	8.4.7.00146	CO COTTER PIN B6 X 60		

Gearbox (826-852C) Comer

Applies to RC3712, RCG3712



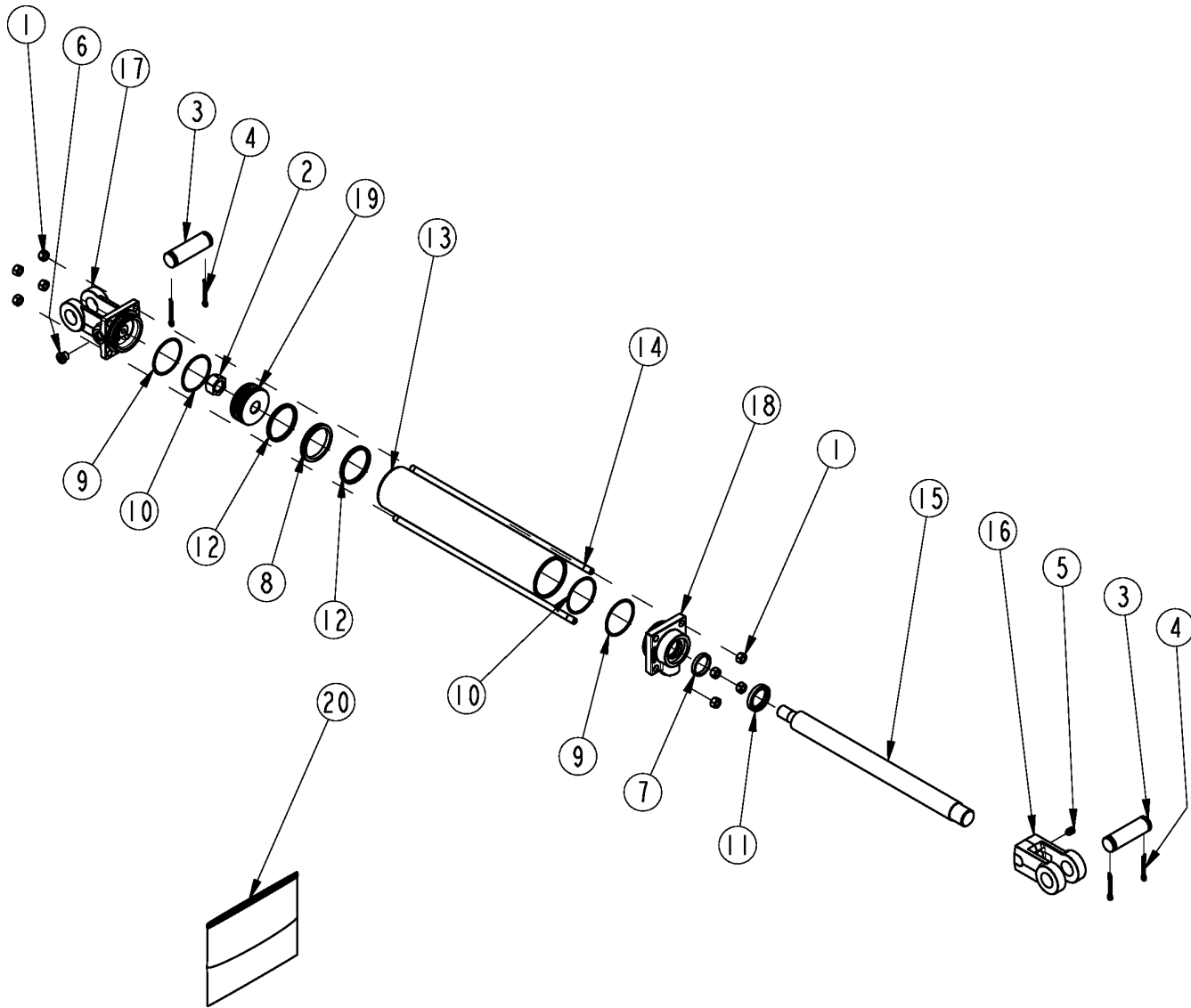
70654

Gearbox (826-852C) Comer**Applies to RC3712, RCG3712**

Ref	Part No.	Part Description	Comments	Revision
	Dwg 70654 826-852C	Image No. DIV 540RPM 1:1.35 *		
1.	0.265.0300.00	CO CASING		
2.	0.265.5206.00	CO PINION Z20 M4.75		
3.	0.265.6205.00	CO CROWN WHEEL Z27 M4.75		
4.	A.709.500	COMER SHIM KIT 70.3X84.7		
5.	822-189C	BRG BALL 6209		
6.	8.7.1.02348	COMER OIL SEAL 45X85X10		
7.	0.263.2004.00	CO SHAFT 1 3/4 Z20		
8.	8.5.2.00332	COMER SNAP RING INT D85 UNI7437		
9.	822-082C	BRG BALL 1.37IDX3.14ODX.82 307		
10.	8.5.2.00030	CO SNAP RING 80 UNI 7437		
11.	8.7.3.00398	CO OIL SEAL 45 X 80 X 10		
12.	0.263.3002.00	CO SHAFT 1 3/4-20		
13.	A.267.503	COMER SHIM KIT Z18 M6.15		
14.	8.6.6.00201	CO PLUG 3/8 GAS (SOLID PLUG)		
15.	0.265.1503.00	COMER COVER		
16.	8.1.1.00449	CO BOLT M8X30 8.8		
17.	8.5.3.01012	CO SNAP RING SW 47		
18.	8.6.0.01202	CO UNDER CAP 1/2 GAS		
19.	822-188C	BRG BALL 6208		
20.	A110.500	CO SHIM 79.7 RTA35		
21.	8.5.1.00680	CO SNAP RING 40 UNI 7436		
22.	0.141.7109.00	CO NAME PLATE		
23.	826-497C	COMER VENT #8.6.7.00269		

Hydraulic Cylinder (810-150C) Red Lion

Applies to RC3712, RCG3712, RCGM3712, RCM3712



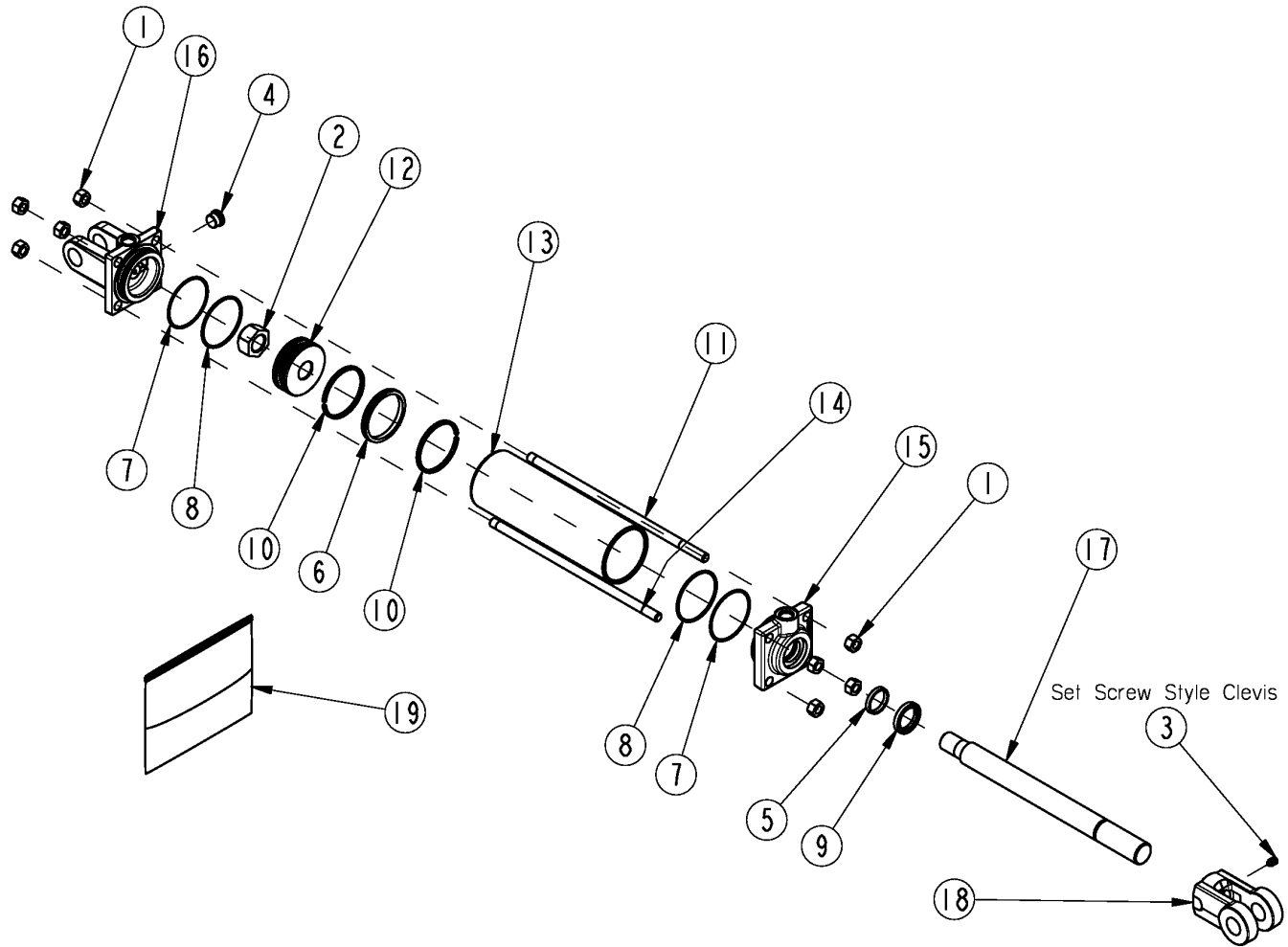
25899

Hydraulic Cylinder (810-150C) Red Lion**Applies to RC3712, RCG3712, RCGM3712, RCM3712**

Ref	Part No.	Part Description	Comments	Revision
	Dwg 25899 810-150C	Image No. CYL 2.5X12X1.25 ROD (TIE ROD) *		
1.	803-014C	NUT HEX 3/8-16 PLT		
2.	130556	MON PISTON NUT		
3.	134953	LION PIN		
4.	135995	MON CLEVIS PIN COTTER		
5.	801-023C	SCREW SET SH 3/8-16X3/8 TYPE C		
6.	186561	PLUG 9/16-18UNF MORB SOCKET HD		
7.	N/A	MON ROD SEAL	Only Found in Kit #20	
8.	N/A	MON PISTON SEAL	Only Found in Kit #20	
9.	N/A	MON END CAP BACKUP WASHERS	Only Found in Kit #20	
10.	N/A	MON END CAP O-RING	Only Found in Kit #20	
11.	N/A	SEAL WIPER ROD	Only Found in Kit #20	
12.	N/A	MON PISTON WEAR RING	Only Found in Kit #20	
13.	491672	LION CYL TUBE 2.5 X 12		
14.	492222	LION TIE ROD 3/8, 12 CYL		
15.	492647	LION ROD 1.25 X 12		
16.	492650	LION ROD CLEVIS 1 1/8-12UNF		
17.	492688	LION CLEVIS CAP 2.5, 9/16 ORB		
18.	494286	MON ROD CAP3.5-1.25-3/4ORB-TSS		
19.	258818	MON PISTON2.50-.750-TSS-ISO-WR		
20.	810-886C	MON SEAL KIT 661701		

Hydraulic Cylinder (810-624C) Red Lion

Applies to RC3712, RCG3712, RCGM3712, RCM3712

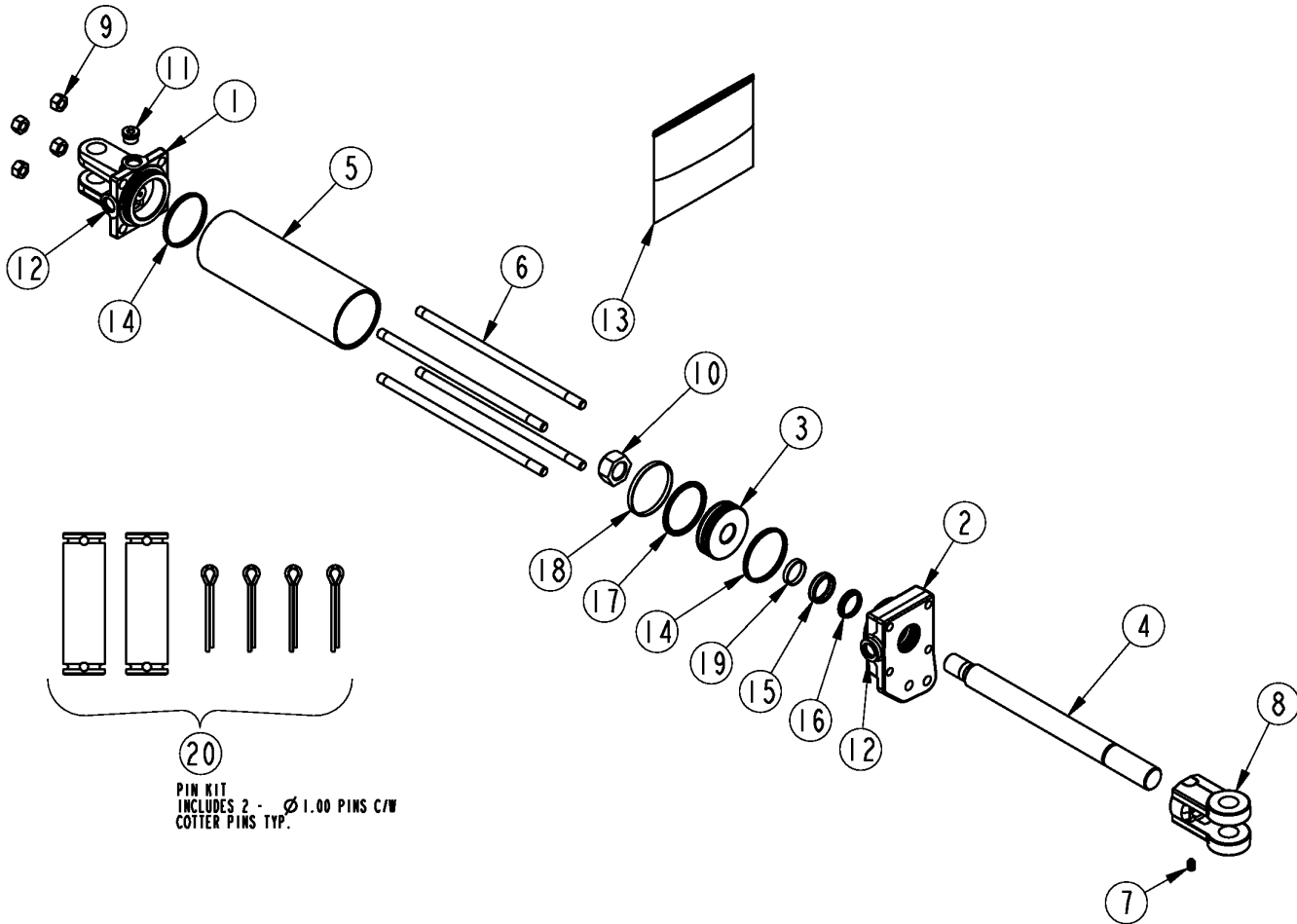


Hydraulic Cylinder (810-624C) Red Lion**Applies to RC3712, RCG3712, RCGM3712, RCM3712**

Ref	Part No.	Part Description	Comments	Revision
	Dwg 25896 810-624C	Drawing Image Number CYL 3X8X1.25 ROD (TIE) NO PINS *		
1.	803-020C	NUT HEX 1/2-13 PLT		
2.	130560	MON PISTON NUT		
3.	801-023C	SCREW SET SH 3/8-16X3/8 TYPE C		
4.	186562	LION PLUG 3/4-16UNF SOCKET HD		
5.	N/A	MON ROD SEAL	Only found in seal kit #19	
6.	N/A	MON PISTON SEAL (PSP)	Only found in seal kit #19	
7.	N/A	MON END CAP B/U WASHER	Only found in seal kit #19	
8.	N/A	MON END CAP O-RING	Only found in seal kit #19	
9.	N/A	SEAL WIPER ROD	Only found in seal kit #19	
10.	N/A	MON PISTON WEAR RING	Only found in seal kit #19	
11.	292003	MON TIE ROD EXTND THD		
12.	258818	MON PISTON 2.50-.750-TSS-ISO-WR		
13.	491738	MON CYL TUBE		
14.	492278	MON TIE ROD		
15.	494391	MON ROD CP2.50-1.12-9/16ORB-TS		
16.	492675	MON CLEVIS CAP		
17.	493211	MON CYL ROD		
18.	493830	LION HARDENED ROD CLEVIS 1 1/4		
19.	810-887C	MON SEAL KIT 661702		

Hydraulic Cylinder (850-217C) Monarch

Applies to RC3712, RCG3712, RCGM3712, RCM3712



72348

Hydraulic Cylinder (850-217C) Monarch**Applies to RC3712, RCG3712, RCGM3712, RCM3712**

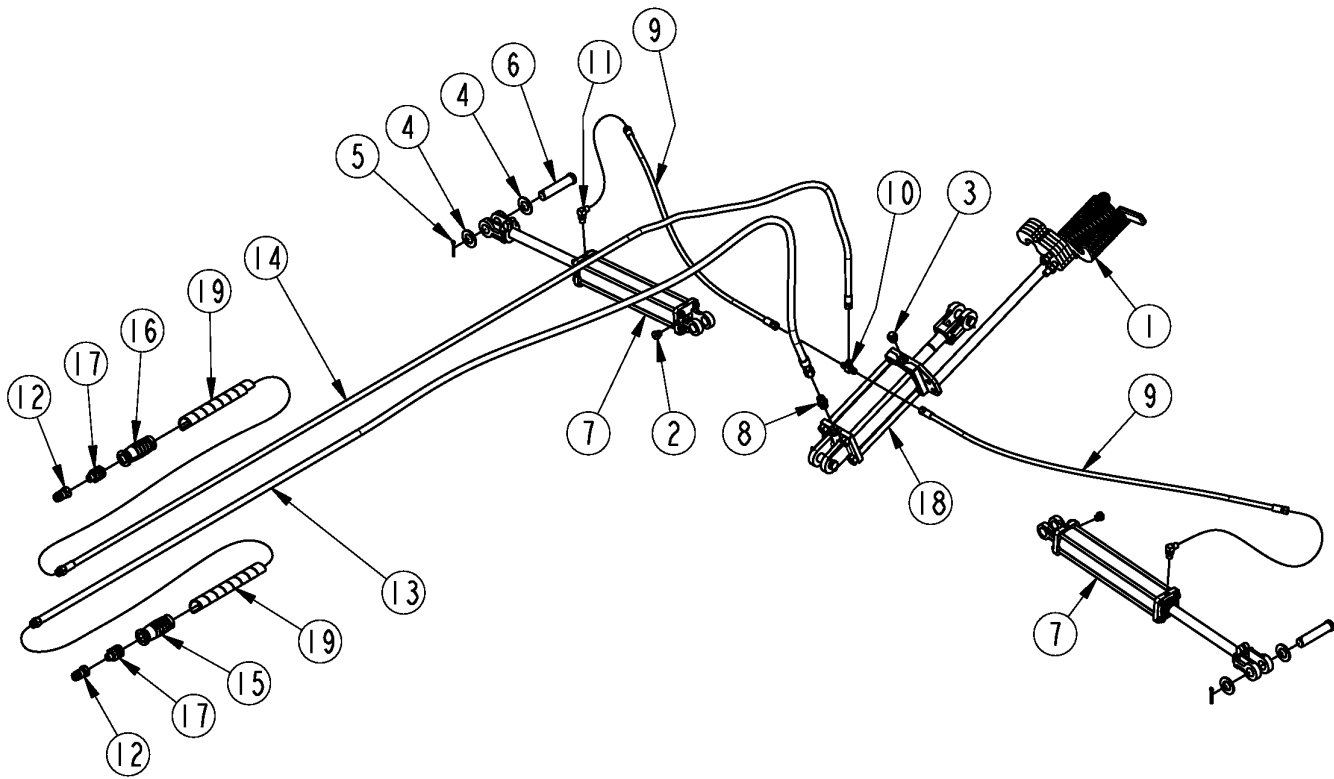
Ref	Part No.	Part Description	Comments	Revision
	Dwg 72348 850-217C	Image No. CYL 3.0X8X1.25 ROD TIE W/MNT *		
1.	498318	MON CLVS CAP 3.00-3/4ORB-1.0-S		
2.	292614	ROD CAP 3.00-1.25-3/4ORB W/LUG		
3.	258821	MON PISTON 3.00-1.0-TSS-ISO-WR		
4.	492700	LION ROD 1.25 DIA. ASAE 8		
5.	491738	MON CYL TUBE		
6.	292018	MON TIE ROD 1/2-08-S		
7.	148000	MON SET SCREW 3/8INC ONE PIECE		
8.	492652	LION ROD CLEVIS 1 1/4 (1PIN)		
9.	128250	RPBY 803-020C		
10.	130560	MON PISTON NUT		
11.	186562	LION PLUG 3/4-16UNF SOCKET HD		
12.	174136	MON THD PROT 3/4-16UN ORB ZINC		
13.	649206	MON SEAL KIT RK30WR-125 TSS		
14.	199139	MON SEAL DUAL 3.00		
15.	194016	MON SEAL ZURCON U-CUP RU9 1.25		
16.	199157	MON SEAL WIPER 1.25 WNUC TSS		
17.	197064	MON SEAL ZURCON WYNSEAL 3.00		
18.	190186	MON WEAR RING 3.00-2.88-0.250		
19.	190131	MON WEAR RING 1.37-1.25-0.250		
20.	235005	MON PIN KIT 1.00C/W COTTER PIN		

Hydraulic Lift Components S/N 1384884-**Applies to RC3712, RCG3712, RCGM3712, RCM3712**

Ref	Part No.	Part Description	Comments	Revision
	Dwg 70662	Image No.		
1.	990-228R	SPIRAL HOSE WRAP 1 ID PLASTIC		
2.	800-117C	VENT PLUG - 9/16-18 PLATED		
3.	800-306C	FILL PLUG VENTED 3/4-16 PLT		
4.	804-029C	WASHER FLAT 1 SAE		
5.	805-104C	PIN COTTER 3/16 X 1 1/2 PLT		
6.	805-493C	PIN CLVS 1.0X4.20 USBL		
7.	810-150C	CYL 2.5X12X1.25 ROD (TIE ROD)		
8.	810-624C	CYL 3X8X1.25 ROD (TIE) NO PINS		
9.	810-818C	STRK CNTRL SPCRS 1.125 TO 1.50		
10.	811-088C	AD 3/4MORB 3/4MJIC		
11.	811-180C	HH1/4R1 057 9/16FJIC		
12.	811-180C	HH1/4R1 057 9/16FJIC		
13.	811-312C	TE 9/16MJIC		
14.	811-337C	OREL 1/16 9/16MJIC 9/16MORB		
15.	811-394C	CP 3/4FORB MALE QD POPPET TYPE		
16.	811-619C	HH3/8R1 168 3/4MORB 3/4FJIC		
17.	811-633C	HH3/8R1 162 3/4MORB 9/16FJIC		
18.	811-826C	HG HANDLE - BLACK EXT		
19.	811-827C	HG HANDLE - RED RET		
20.	811-919C	AD 3/4MORB 3/4FORB (HG)		

Hydraulic Lift Components S/N 1384885+

Applies to RC3712, RCG3712, RCGM3712, RCM3712



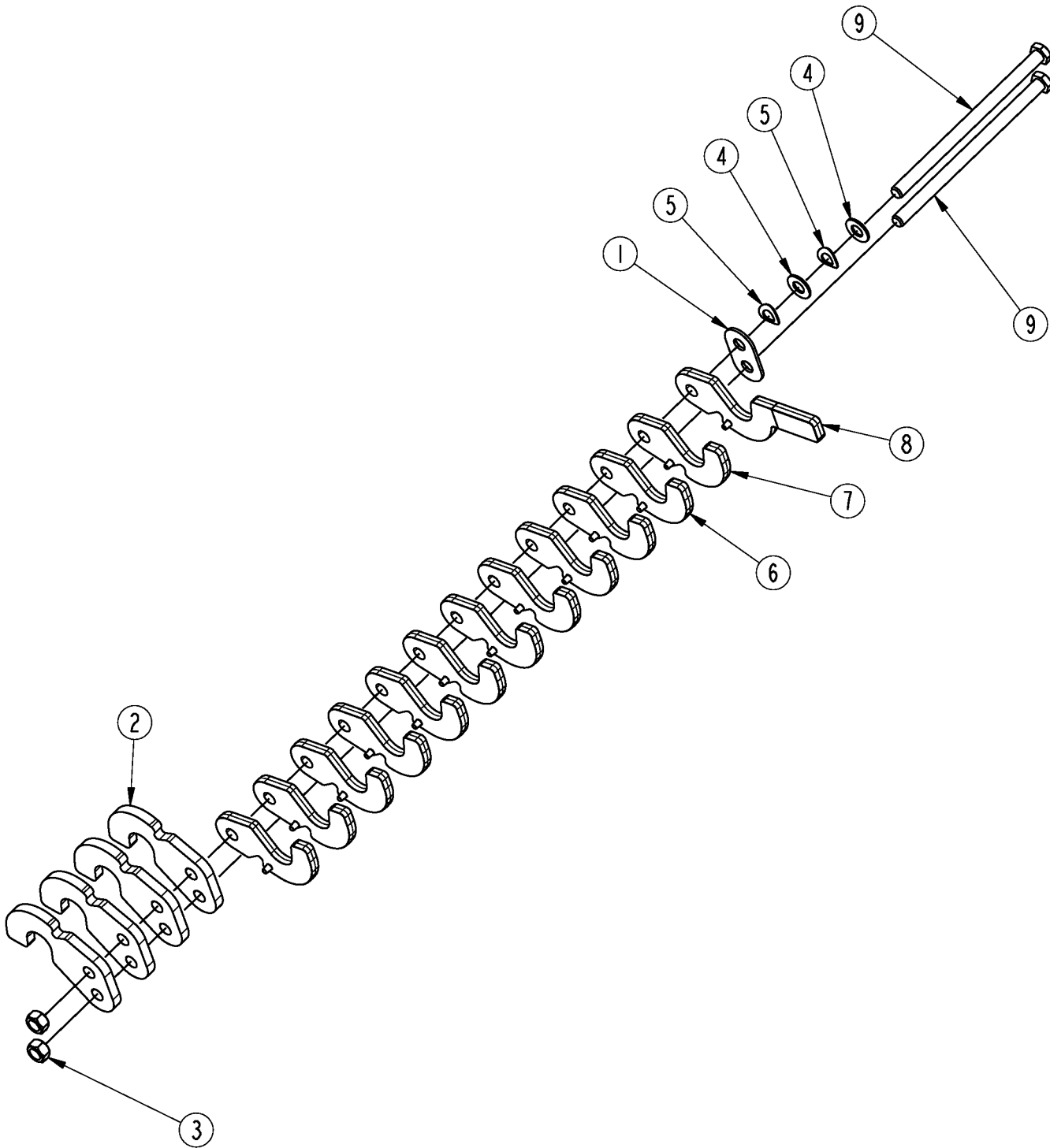
72346

Hydraulic Lift Components S/N 1384885+**Applies to RC3712, RCG3712, RCGM3712, RCM3712**

Ref	Part No.	Part Description	Comments	Revision
	Dwg 72346	Image No.		
1.	334-215S	STROKE CONTROL ASY		
2.	800-117C	VENT PLUG - 9/16-18 PLATED		
3.	800-306C	FILL PLUG VENTED 3/4-16 PLT		
4.	804-029C	WASHER FLAT 1 SAE		
5.	805-104C	PIN COTTER 3/16 X 1 1/2 PLT		
6.	805-493C	PIN CLVS 1.0X4.20 USBL		
7.	810-150C	CYL 2.5X12X1.25 ROD (TIE ROD)		
8.	811-088C	AD 3/4MORB 3/4MJIC		
9.	811-180C	HH1/4R1 057 9/16FJIC		
10.	811-312C	TE 9/16MJIC		
11.	811-337C	OREL 1/16 9/16MJIC 9/16MORB		
12.	811-394C	CP 3/4FORB MALE QD POPPET TYPE		
13.	811-619C	HH3/8R1 168 3/4MORB 3/4FJIC		
14.	811-633C	HH3/8R1 162 3/4MORB 9/16FJIC		
15.	811-826C	HG HANDLE - BLACK EXT		
16.	811-827C	HG HANDLE - RED RET		
17.	811-919C	AD 3/4MORB 3/4FORB (HG)		
18.	850-217C	CYL 3.0X8X1.25 ROD TIE W/MNT		
19.	990-228R	SPIRAL HOSE WRAP 1 ID PLASTIC		

Lift Cylinder Stroke Control

Applies to RC3712, RCG3712, RCGM3712, RCM3712



72355

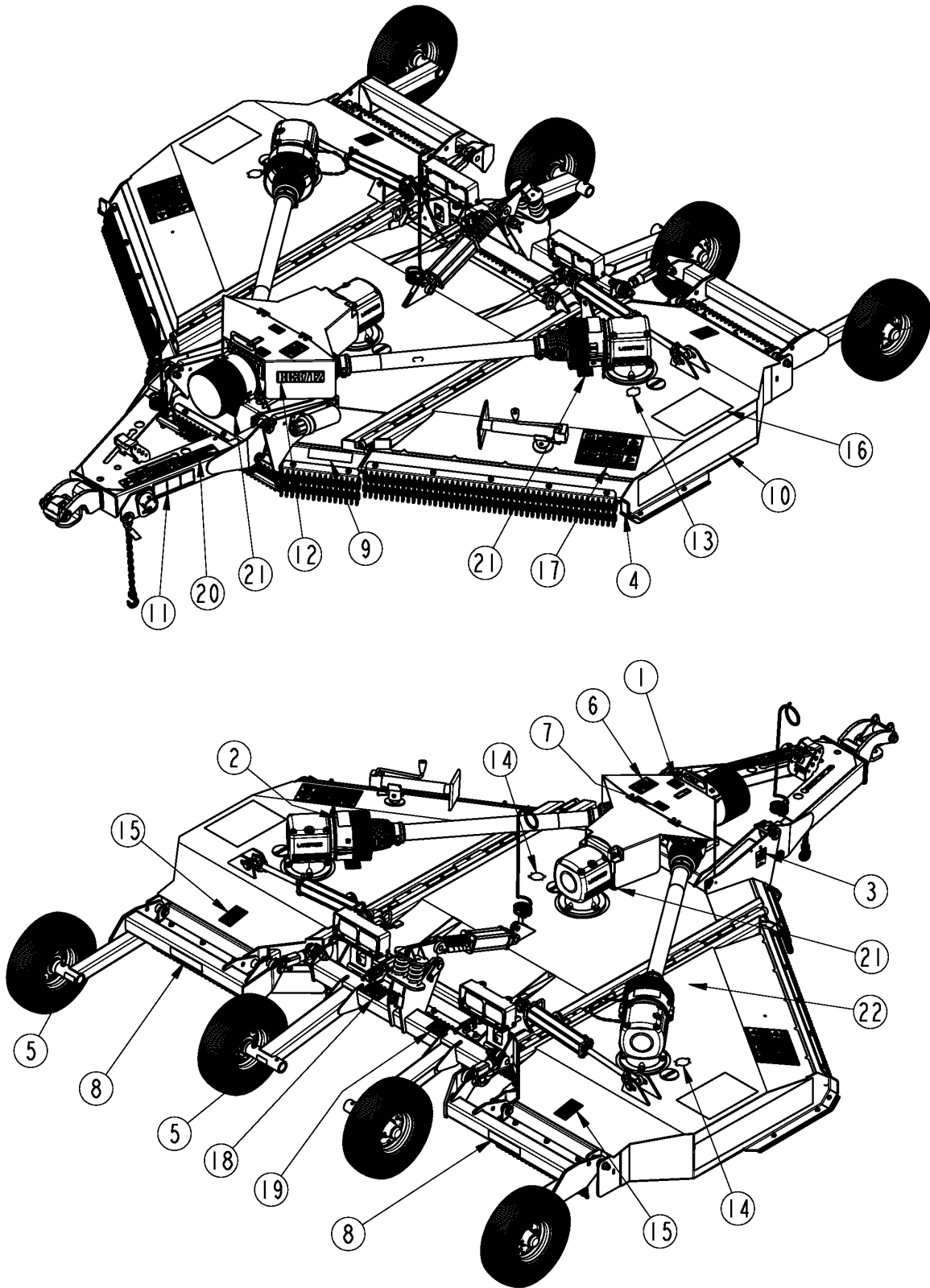
Lift Cylinder Stroke Control

Applies to RC3712, RCG3712, RCGM3712, RCM3712

Ref	Part No.	Part Description	Comments	Revision
	Dwg 72355 334-215S	Image No. STROKE CONTROL ASY *		
1.	331-614D	SPACER RETAINER		
2.	331-735D	FIXED STROKE SPACER		
3.	803-024C	NUT LOCK 5/8-11 PLT		
4.	804-021C	WASHER FLAT 5/8 SAE PLT		
5.	804-297C	WASHER WAVE M16		
6.	812-554C	FLIP SPACER		
7.	812-555C	FLIP SPACER		
8.	812-556C	FLIP SPACER WITH HANDLE		
9.	842-486C	HHCS 5/8-11X10 1/2 GR5		

Decals

Applies to RC3712, RCG3712, RCGM3712, RCM3712



70670

Decals**Applies to RC3712, RCG3712, RCGM3712, RCM3712**

Ref	Part No.	Part Description	Comments	Revision
	Dwg 70670	Image No.		
1.	818-130C	DECAL WARNING 540 RPM	540 RPM	
1.	818-240C	DECAL CAUTION 1000 RPM	1000 RPM	
2.	818-142C	DECAL DANGER PTO DRIVELINE EN		
3.	N/A			
4.	818-229C	DECAL AMBER REFLECTOR		
5.	818-230C	DECAL RED REFLECTOR		
6.	818-552C	DECAL DANGER PTO DRIVELINE		
7.	818-862C	DECAL 5 YEAR GEARBOX WARRANTY		
8.	838-614C	DECAL REFLECTOR RED 2X9		
9.	838-615C	DECAL REFLECTOR AMBER 2X9		
10.	848-122C	DECAL LANDPRIDE 34" TAN/BROWN		
11.	858-381C	DECAL JACK ADJUSTMENT		
12.	858-560C	DECAL, RC3712	RC3712	
12.	858-561C	DECAL, RCM3712	RCM3712	
12.	858-957C	DECAL, RCG3712	RCG3712	
12.	858-958C	DECAL, RCGM3712	RCGM3712	
13.	858-917C	DECAL CW BLADE ROTATION		
14.	858-918C	DECAL CCW BLADE ROTATION		
15.	858-947C	DECAL DANGER ROTATE BLADE		
16.	858-948C	DECAL, 7-SERIES		
17.	858-949C	DECAL CUTTER SAFETY COMBO		
18.	858-950C	DECAL, CUTTER PINCH POINT		
19.	858-951C	DECAL, CYLINDER LOCKS		
20.	858-954C	DECAL, SAFETY COMBO, TONGUE		
21.	858-956C	DECAL, GUARD MISSING		
22.	858-966C	DECAL, LANDPRIDE.COM	Under wing decks	

Touch-up Paints - LP

Applies to RC3712, RCG3712, RCGM3712, RCM3712

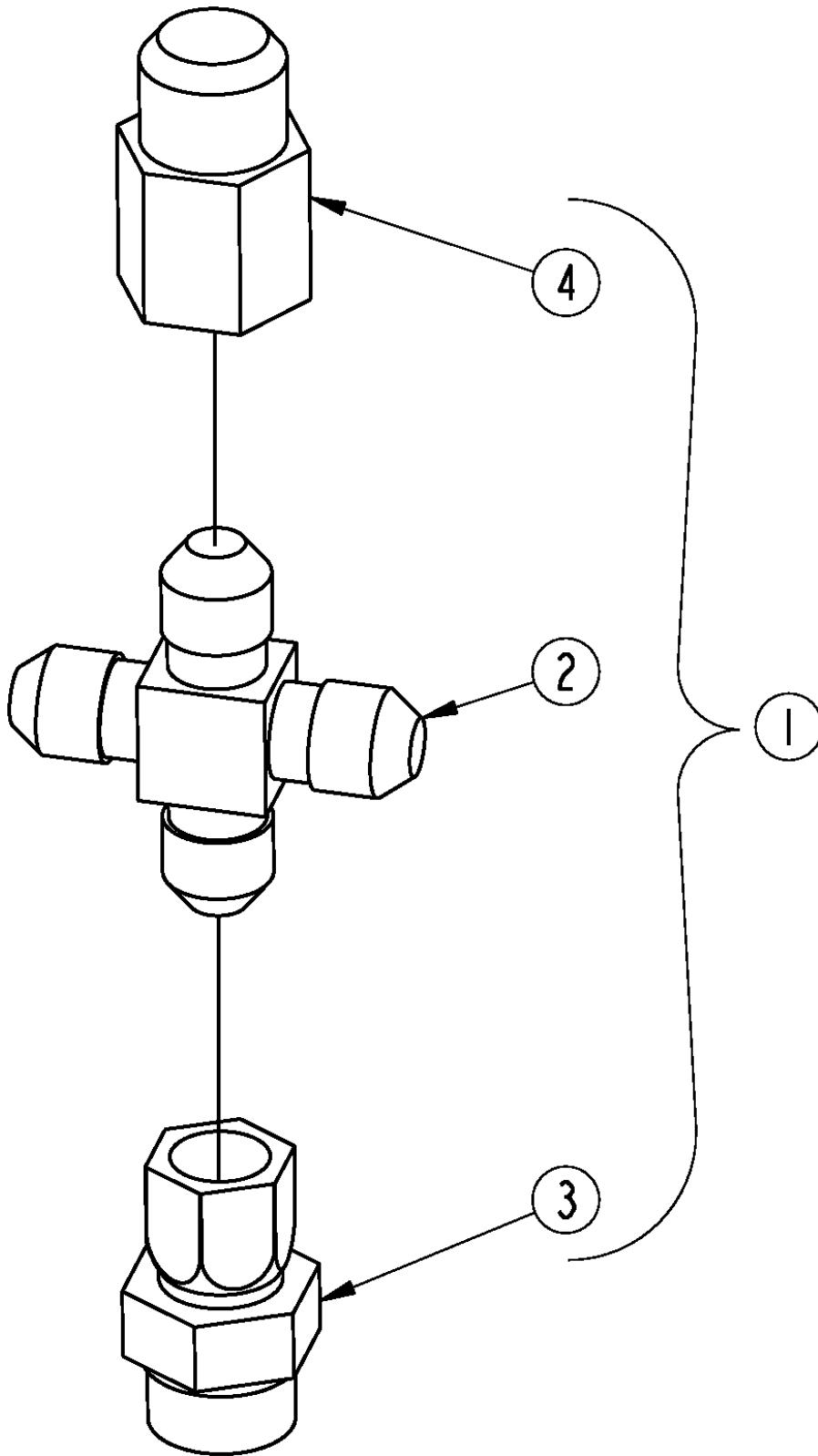
No diagram associated with this Parts List

Touch-up Paints - LP**Applies to RC3712, RCG3712, RCGM3712, RCM3712**

Ref	Part No.	Part Description	Comments	Revision
1.	821-011C	LP BEIGE SPRAY CAN	Spray can	
1.	821-011CTU	LP BEIGE TOUCH-UP 5OZ	Touch-up bottle with brush	
1.	821-011CQT	LP BEIGE QUART	Quart can	
1.	821-011CGL	LP BEIGE GALLON	Gallon can	
2.	821-070C	GLOSS BLACK SPRAY CAN	Spray can	
2.	821-070CTU	GLOSS BLACK TOUCH-UP 5OZ	Touch-up bottle with brush	
2.	821-070CQT	GLOSS BLACK QUART	Quart can	
2.	821-070CGL	GLOSS BLACK GALLON	Gallon can	
3.	821-054C	MED. RED SPRAY TRCK/CTR	Spray can	
3.	821-054CTU	MED RED TOUCH-UP 5OZ	Touch-up bottle with brush	
3.	821-054CQT	MED RED QUART	Quart can	
3.	821-054CGL	MED RED GALLON	Gallon can	
4.	821-058C	GREEN SPRAY CUTTERS	Spray can	
4.	821-058CTU	GREEN TOUCH-UP 5OZ	Touch-up bottle with brush	
4.	821-058CQT	GREEN QUART	Quart can	
4.	821-058CGL	GREEN GALLON	Gallon can	
5.	821-066C	ORANGE SPRAY CAN	Spray can	
5.	821-066CTU	ORANGE TOUCH-UP 5OZ	Touch-up bottle with brush	
5.	821-066CQT	ORANGE QUART	Quart can	
5.	821-066CGL	ORANGE GALLON	Gallon can	
6.	821-067C	BLUE SPRAY CAN	Spray can	
6.	821-067CTU	BLUE TOUCH-UP 5OZ	Touch-up bottle with brush	
6.	821-067CQT	BLUE QUART	Quart can	
6.	821-067CGL	BLUE GALLON	Gallon can	
7.	821-080C	PAINT ALUMINUM/ZINC SPRAY CAN	Spray can	
7.	821-080CTU	PAINT ALUMINUM/ZINC TOUCH UP	Touch-up bottle with brush	
7.	821-080CQT	PAINT ALUMINUM/ZINC QUART	Quart can	
7.	821-080CGL	PAINT ALUMINUM/ZINC GALLON	Gallon can	

Single Duplex Accessory

Applies to RC3712, RCG3712, RCGM3712, RCM3712



70700

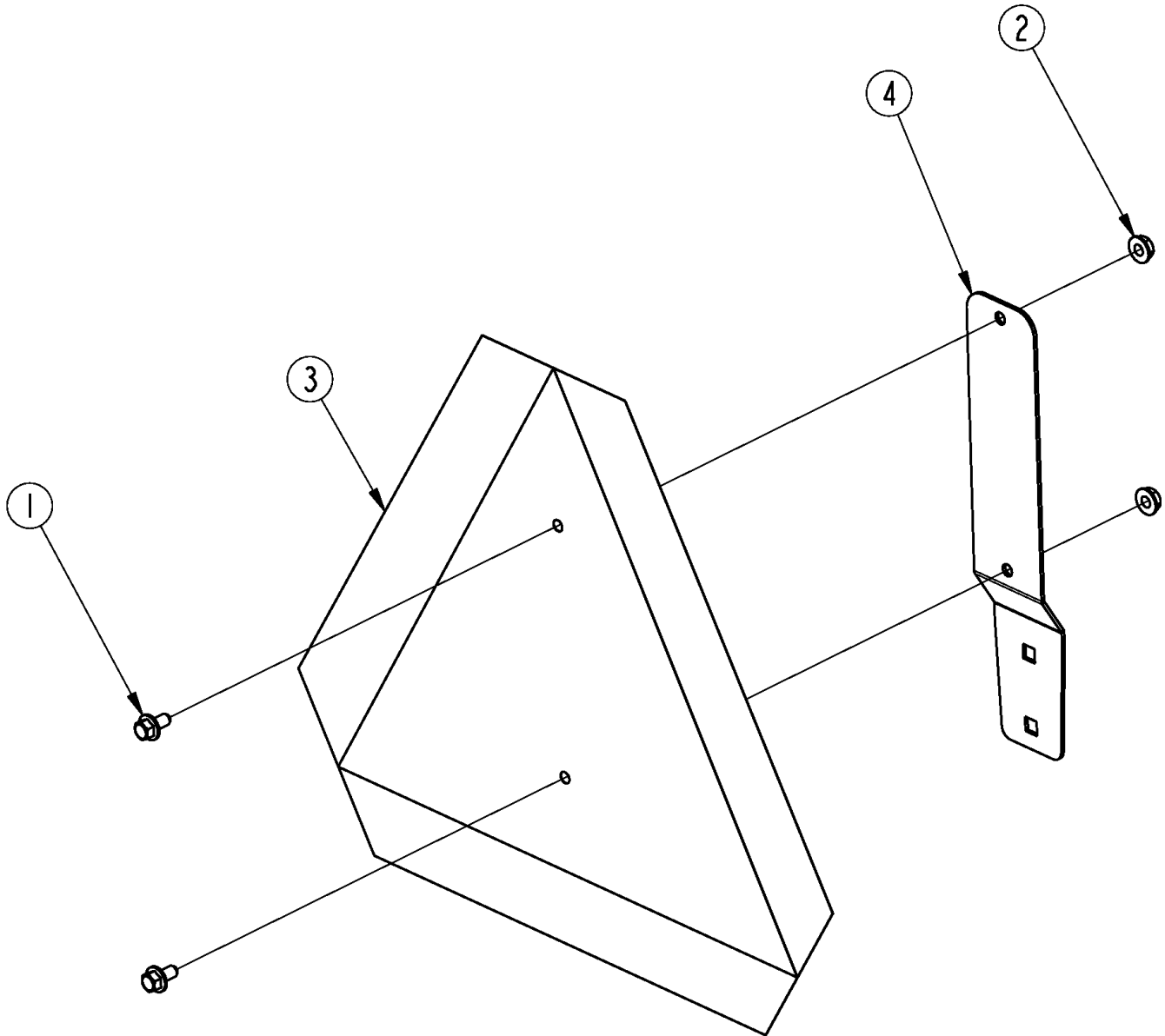
Single Duplex Accessory

Applies to RC3712, RCG3712, RCGM3712, RCM3712

Ref	Part No.	Part Description	Comments	Revision
	Dwg 70700	Image No.		
1.	334-754A	SINGLE DUPLEX FITTINGS BUNDLE *	Contains 2, 3, and 4	
2.	811-581C	CR 9/16MJIC		
3.	841-204C	AD 9/16FJIC 3/4MORB		
4.	851-300C	AD 3/4MJIC 9/16FJIC		

SMV Sign

Applies to RC3712, RCG3712, RCGM3712, RCM3712



37482

SMV Sign

Applies to RC3712, RCG3712, RCGM3712, RCM3712

Ref	Part No.	Part Description	Comments	Revision
	Dwg 37482 316-362S	Image No. SMV SIGN *	Contains 1, 2, 3, and 4	
1.	802-148C	HFSS 1/4-20X1/2 GR5		
2.	803-230C	NUT HEX FLANGE 1/4-20 PLT		
3.	818-055C	DECAL SLOW MOVING-GALV. BACKED		
4.	890-153C	SMV MOUNTING BLADE		



Part Number Index

The Part Number Index is a numeric index of all part numbers included in this manual. The index shows what page(s) the part is used on.

Part Number	Page	Part Number	Page	Part Number	Page	Part Number	Page
0.102.7510.00	65, 69	19-15135	57, 61	331-709H	37	649206	81
0.102.7525.01	73	190.000.020	53	331-729K	49	68810-1003	57, 59
0.121.7101.00	65, 67, 69	190.000.032	53	331-731K	51	68810-1004	61, 63
0.132.7106.00	65, 69, 73	190.000.047	53	331-735D	87	8.0.9.00143	65, 67, 69, 73
0.132.7107.00	67	190.000.098	55	331-738K	45	8.1.1.00449	71, 75
0.139.7100.00	65, 67, 69, 73	190.000.099	55	331-740K	47	8.1.1.00501	65, 67, 69, 73
0.139.7101.00	65, 67, 69	190131	81	331-757H	37	8.2.2.00555	65, 67, 69, 73
0.139.7103.00	71	190186	81	331-792H	13	8.4.7.00146	65, 67, 69, 73
0.141.7109.00	67, 69, 71, 73, 75	194016	81	331-793H	13	8.4.7.02265	65, 67, 69, 73
0.210.0300.00	65, 67, 69, 73	197064	81	331-883D	23	8.5.1.00533	65, 67, 69, 73
0.210.1300.00	65, 67, 69	199139	81	331-958D	17, 39	8.5.1.00680	71, 75
0.210.2001.00	65, 67, 69, 73	199157	81	331-959D	37	8.5.2.00030	71, 75
0.210.3001.00	65, 69, 73	200-001D	41	331-972D	33	8.5.2.00332	65, 67, 69, 71, 73, 75
0.210.5002.00	65, 69	235005	81	334-016D	11	8.5.3.01012	71, 75
0.210.6002.00	65, 69	258818	77, 79	334-046H	25	8.6.0.01202	71, 75
0.227.5001.00	73	258821	81	334-172H	39	8.6.5.00006	65, 67
0.227.6000.00	67	26-15120	57, 59, 61, 63	334-177H	11	8.6.5.0006	69, 73
0.227.6001.00	73	26-16033	57, 59, 61, 63	334-179H	13	8.6.6.00201	65, 67, 69, 71, 73, 75
0.252.7525.00	65, 67, 69, 73	292003	79	334-180K	13	8.7.1.01107	65, 67, 69, 73
0.263.2004.00	71, 75	292018	81	334-181H	31	8.7.1.02348	65, 67, 69, 71, 73, 75
0.263.3002.00	71, 75	292614	81	334-182K	31	8.7.3.00398	71, 75
0.265.0300.00	71, 75	312-820H	7	334-184K	49	800-001C	9, 13, 21, 25, 29, 31
0.265.1503.00	71, 75	312-891D	47, 51	334-185K	45	800-080C	41
0.265.5206.00	75	316-362S	95	334-186K	49	800-117C	83, 85
0.265.5207.00	71	318-141D	45, 49	334-187K	45	800-306C	83, 85
0.265.6205.00	75	318-143D	45, 47, 49, 51	334-188K	51	801-023C	77, 79
0.265.6206.00	71	318-586A	7	334-189K	47	802-005C	35
0.276.7101.0	65	318-641D	47, 51	334-190K	51	802-007C	11
0.276.7101.00	69	318-920S	9, 35	334-191K	47	802-015C	17, 33
0.285.7510.00	67	330-224K	31	334-194A	49, 51	802-022C	13
03-15316	57, 59, 61, 63	330-305D	45, 49	334-195A	45, 47	802-053C	19, 21, 23, 25, 27, 29
03-15570	57, 59, 61, 63	330-404H	31	334-215S	85, 87	802-060C	9
04-011	65	330-497H	23	334-460A	21	802-065C	11, 15
11-14988	57, 61	330-563D	21	334-462A	19	802-070C	21
11-15180	57, 61	330-564D	21	334-463A	23	802-075C	25
11-80005	61	330-975H	21	334-468H	17	802-079C	25, 29
128250	81	331-204D	13	334-470A	27	802-082C	37
13-10021	59, 63	331-236D	45, 49	334-471A	25	802-091C	9, 17
13-10022	59, 63	331-238D	47, 51	334-472H	21, 25, 29	802-096C	17
13-15249	59	331-240D	33	334-474H	19	802-099C	41
13-15256	63	331-241D	33	334-475H	27	802-105C	23
130556	77	331-477H	9	334-476H	23	802-106C	17
130560	79, 81	331-477H81	9	334-477H	21	802-148C	95
134953	77	331-477H82	9	334-480H	21	802-196C	11
135995	77	331-477H83	9	334-482H	25	802-205C	21
141.026.357.1	55	331-477H86	9	334-565V	41	802-214C	13, 33, 45, 47, 49, 51
141.026.465.1	53	331-479H	13	334-621H	13	802-224C	33
142.260.5287621	55	331-479H81	13	334-622H	13	802-277C	7
146.262.032.1	53, 55	331-479H82	13	334-623H	9	802-282C	37
148000	81	331-479H83	13	334-714H	11	802-466C	13
151.016.037.1	53, 55	331-479H86	13	334-742H	29	802-538C	31
151.016.339.1	53	331-481H	13	334-744A	29	802-683C	11
151.016.340.1	53	331-481H81	13	334-754A	93	802-729C	27
151.016.344.1	53, 55	331-481H82	13	39-10039	59, 63	802-747C	17
151.016.346.1	53	331-481H83	13	491672	77	802-779C	41
151.016.465.1	53	331-481H86	13	491738	79, 81	802-827C	21
165.000.549	53, 55	331-488H	37	492222	77	802-900C	11
165.000.589	53, 55	331-492H	39	492278	79	802-915C	31
165.000.596	53	331-496S	37, 39, 41	492647	77	802-972C	11
174136	81	331-523D	11	492650	77	803-014C	13, 17, 77
180.016.780	53, 55	331-543D	25	492652	81	803-019C	41
180.019.014	53, 55	331-561H	17	492675	79	803-020C	17, 79
180.019.017	53, 55	331-588D	45, 49	492688	77	803-024C	23, 87
180.019.018	53	331-589D	45, 49	492700	81	803-025C	17, 31, 37, 39
180.019.019	53, 55	331-590D	47, 51	493211	79		
180.019.116.1	53, 55	331-591D	47, 51	493830	79		
180.019.340	55	331-614D	87	494286	77		
186561	77	331-670D	17	494391	79		
186562	79, 81	331-671D	17	498318	81		
19-15121	59, 63	331-688H	9	55051-1817	57, 61		

Table of Contents Part Number Index



Part Number Index (continued)

Part Number	Page	Part Number	Page	Part Number	Page	Part Number	Page
803-029C	41	811-826C	83, 85	826-643C	11, 61	97-24406	61
803-030C	31	811-827C	83, 85	826-644C	11, 57	97-25023	57
803-031C	17	811-919C	83, 85	826-722C	15, 65	97-26656	63
803-032C	31	812-554C	87	826-793C	11, 59	98-24406	57, 61
803-037C	9, 13, 17, 33, 45, 47, 49, 51	812-555C	87	826-799C	11, 67	98-26654	59, 63
803-043C	37	812-556C	87	826-800C	15, 69	99-24406	57, 59, 61, 63
803-084C	31	8123.360.515.11	55	826-801C	11, 71	990-228R	83, 85
803-168C	17, 21	8123.460.1070.11	55	826-802C	11	A.267.503	71, 75
803-169C	37	814-265C	43	826-803C	15	A.709.500	65, 67, 69, 71, 73, 75
803-170C	7	814-478C	43	826-851C	11, 73	A.712.500	65, 67, 69, 73
803-170C	7	814-480C	43	826-852C	11, 75	A110.500	71, 75
803-177C	11	814-673C	43	826-884C	11, 63	Dwg 25896	79
803-181C	21	815-242C	41	827-158C	37	Dwg 25899	77
803-198C	13	815-243C	41	83-26656	59	Dwg 26568	19
803-201C	25, 29	815-509C	41	837-066C	15	Dwg 30185	61
803-209C	11, 17, 33	816-481C	35	837-079C	11	Dwg 33921	65
803-230C	95	816-835C	41	838-614C	89	Dwg 37482	95
803-255C	11, 33, 35	817-875C	37, 39	838-615C	89	Dwg 37911	57
803-258C	21, 23, 25	818-055C	95	840-273C	9, 13	Dwg 39064	7
803-263C	9	818-130C	89	841-204C	93	Dwg 39163	35
803-299C	11, 15	818-142C	89	842-172C	31	Dwg 70612	9
803-304C	19, 21, 23, 25, 27, 29	818-229C	89	842-243C	11, 15	Dwg 70613	11
803-310C	41	818-230C	89	842-414C	23	Dwg 70614	13
803-316C	31, 37	818-240C	89	842-460C	21, 25	Dwg 70618	15
803-339C	21, 25, 29	818-552C	89	842-486C	87	Dwg 70619	17
803-375C	31	818-862C	89	848-122C	89	Dwg 70622	31
803-390C	11	8180.014.240	55	850-217C	81, 85	Dwg 70626	23
803-391C	11	8180.016.237	55	851-300C	93	Dwg 70627	27
804-007C	33, 35	8180.016.238	55	858-381C	89	Dwg 70628	21
804-009C	11, 15	82-26654	59	858-560C	89	Dwg 70629	37
804-010C	11, 15	820-137C	7	858-561C	89	Dwg 70630	39
804-011C	17	820-545C	7	858-917C	89	Dwg 70632	43
804-012C	11	820-547C	7	858-918C	89	Dwg 70633	49
804-012C	11	821-011C	91	858-947C	89	Dwg 70635	51
804-013C	11, 13, 17, 25, 29	821-011CGL	91	858-948C	89	Dwg 70636	45
804-015C	17	821-011CQT	91	858-949C	89	Dwg 70637	47
804-016C	37	821-011CTU	91	858-950C	89	Dwg 70650	71
804-017C	9, 17	821-054C	91	858-951C	89	Dwg 70653	67
804-021C	87	821-054CGL	91	858-954C	89	Dwg 70654	75
804-025C	17, 21, 31, 37, 39	821-054CQT	91	858-956C	89	Dwg 70655	73
804-027C	17	821-054CTU	91	858-957C	89	Dwg 70656	69
804-028C	17, 21	821-058C	91	858-958C	89	Dwg 70662	83
804-029C	37, 83, 85	821-058CGL	91	858-966C	89	Dwg 70670	89
804-030C	31	821-058CQT	91	890-153C	95	Dwg 70699	33
804-036C	11	821-058CTU	91	890-175C	51	Dwg 70700	93
804-055C	41	821-066C	91	890-182C	17	Dwg 70718	25
804-147C	7	821-066CGL	91	890-341C	49	Dwg 70721	41
804-229C	21, 25, 29	821-066CQT	91	890-401C	37	Dwg 70723	53
804-297C	87	821-066CTU	91	890-806C	27	Dwg 70725	55
805-083C	31	821-067C	91	890-850C	25	Dwg 70947	59, 63
805-104C	83, 85	821-067CGL	91	890-862C	21	Dwg 72334	29
805-109C	31	821-067CQT	91	891-208C	47	Dwg 72346	85
805-115C	21, 25, 29	821-067CTU	91	891-212C	45	Dwg 72348	81
805-246C	41	821-070C	91	891-282C	11	Dwg 72355	87
805-493C	83, 85	821-070CGL	91	891-522C	33	N/A	77, 79, 89
805-622C	17, 37, 39	821-070CQT	91	891-523C	33	NA	33
807-073C	9, 17	821-070CTU	91	891-524C	17		
807-271C	37	821-080C	91	891-531C	33		
810-150C	77, 83, 85	821-080CGL	91	891-533C	33		
810-624C	79, 83	821-080CQT	91	891-823C	33		
810-818C	83	821-080CTU	91	891-883C	11		
810-886C	77	822-020C	41	90-24406	61		
810-887C	79	822-021C	41	90-26654	59		
811-088C	83, 85	822-033C	41	90-26656	63		
811-180C	83, 85	822-034C	41	91-25023	57		
811-312C	83, 85	822-082C	71, 75	92-24406	57, 61		
811-337C	83, 85	822-188C	71, 75	93-24406	61, 63		
811-394C	83, 85	822-189C	71, 75	93-25023	57, 59		
811-581C	93	822-214C	67, 69, 73	94-26654	59, 63		
811-619C	83, 85	826-490C	11, 15, 65	96-24406	57, 61		
811-633C	83, 85	826-497C	11, 71, 75	96-26654	63		



Great Plains Manufacturing, Inc.

Corporate Office: P.O. Box 5060
Salina, Kansas 67402-5060 USA

www.landpride.com
