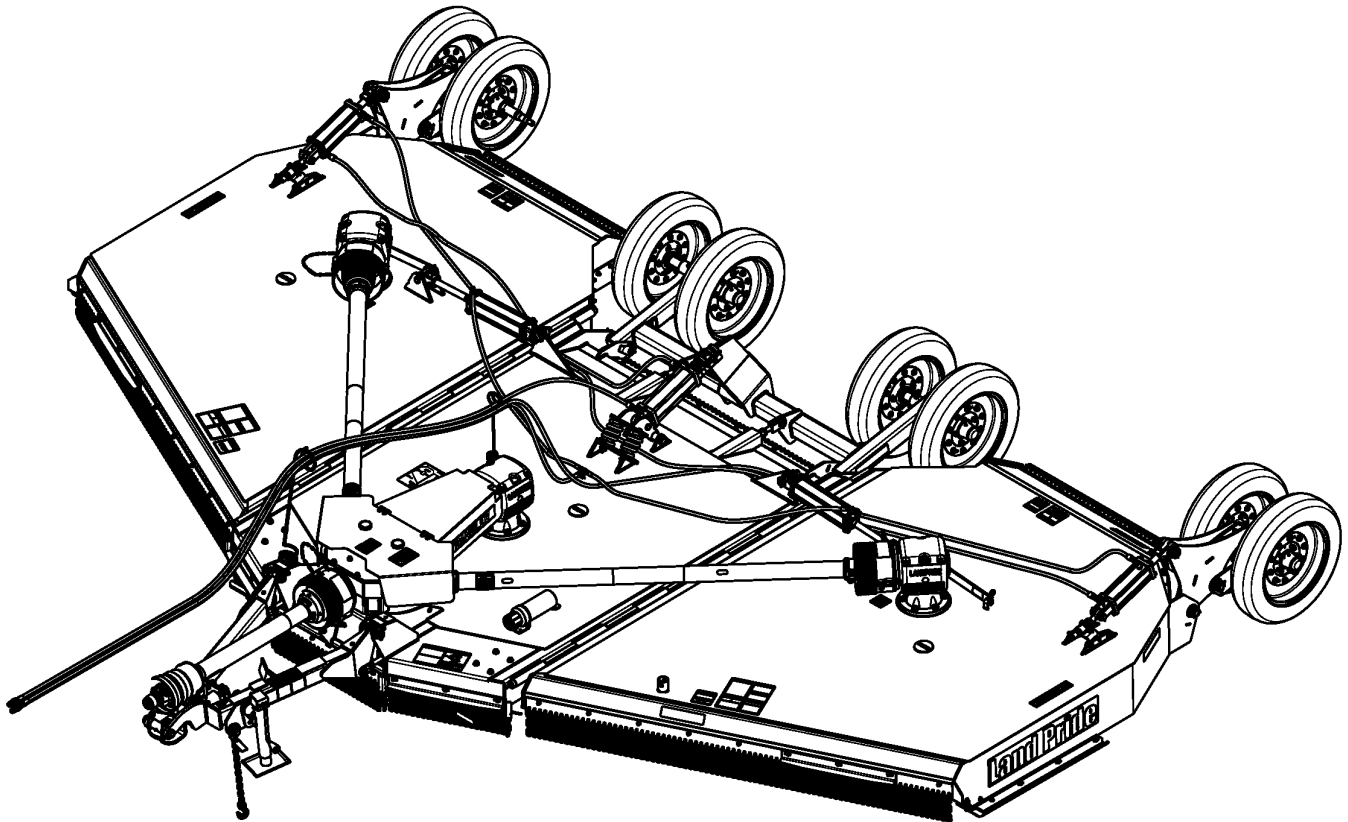


# Rotary Cutter

RC(M)4620



39216

## 331-936P Parts Manual



Read the Operator's Manual entirely. When you see this symbol, the subsequent instructions and warnings are serious - follow without exception. Your life and the lives of others depend on it!

© Copyright 2020 Printed 04/16/20

Cover photo may show optional equipment not supplied with standard unit.





# Table of Contents

**Section 1: Introduction.....4**  
 Using This Manual.....4  
 Manual Replacement Information.....4  
 Manual Revisions.....4  
 Touch-up Paint.....4  
 Hardware Legend.....5  
 Replacement Hardware.....5  
 Serial Numbers.....5  
 Part Number Service Coding.....5

**Section 2: Decks & Hitches.....6**  
 Deck Center Components.....6  
 Deck Center Drive Components.....8  
 Deck Wing Components.....10  
 Deck Wing Drive Components.....12  
 Hitch A-Frame.....14  
 Hitch Ball Coupler.....16  
 Hitch Bar Tite.....18  
 Hitch LP Performance.....20  
 Hitch Pintle.....22  
 Hitch Standard Pivoting Clevis.....24  
 Leveling Rod.....26  
 Lights 3.5 Inch (LED).....28

**Section 3: Axles.....30**  
 Axle Center.....30  
 Axle Wing.....32  
 Hub Assembly (330-938K).....34  
 Spindle & Hub Assembly (331-496S).....36  
 Spindle & Hub Assembly (334-566S).....38

**Section 4: Guards.....40**  
 Guards Chain Double Row Front.....40  
 Guards Chain Double Row Rear.....42  
 Guards Chain Single Row Front.....44  
 Guards Chain Single Row Rear.....46

**Section 5: Drivelines.....48**  
 Driveline Center (826-820C) Comer.....48  
 Driveline Conv. 1000 RPM (826-247C) Walterscheid.....50  
 Driveline Conv. 540 RPM (826-112C) Walterscheid.....52  
 Driveline CV 1.38 1000 RPM (826-644C) Weasler.....54  
 Driveline CV 1.38 1000 RPM W/ Overrunning Clutch  
 (826-793C) Weasler.....56  
 Driveline CV 1.38 540 RPM (826-643C) Weasler.....58  
 Driveline CV 1.75 1000 RPM (826-645C).....60  
 Driveline Wing (826-819C) Comer.....62

**Section 6: Gearboxes.....64**  
 Divider Box 1000 RPM 1.35:1 (826-709C).....64  
 Divider Box 540 RPM 1:1.35 (826-708C).....66  
 Gearbox (826-840C).....68  
 Gearbox (826-841C).....70  
 Gearbox 1000 RPM (826-626C) Comer.....72

Gearbox 540 RPM (826-316C).....74

**Section 7: Hydraulics.....76**  
 Hydraulic Cylinder (810-362C) Cross.....76  
 Hydraulic Cylinder (810-362C) Midway.....78  
 Hydraulic Cylinder (810-738C) Red Lion.....80  
 Hydraulic Cylinder (810-838C) Red Lion.....82  
 Hydraulic Cylinder (850-327C) Monarch.....84  
 Hydraulic Cylinder Plumbing Components.....86  
 Hydraulic Cylinder Rephase (810-632C) Monarch.....88  
 Hydraulic Cylinder Rephase (810-831C) Red Lion.....90  
 Hydraulic Cylinders W/ Mounting Components.....92

**Section 8: Options & Accessories.....94**  
 Blade Carrier Components.....94  
 Blade Carrier Options.....96  
 Lights 3.5 Inch (LED).....98  
 Shredder Blades.....100

**Section 9: Decals.....102**  
 Decals.....102  
 Tire Options.....104  
 Touch-up Paints - LP.....106

**Part Number Index.....108**

© Copyright 2020. All rights reserved.

Land Pride provides this publication "as is" without warranty of any kind, either expressed or implied. While every precaution has been taken in the preparation of this manual, Land Pride assumes no responsibility for errors or omissions. Neither is any liability assumed for damages resulting from the use of the information contained herein. Land Pride reserves the right to revise and improve its products as it sees fit. This publication describes the state of this product at the time of its publication, and may not reflect the product in the future. The illustrations in this manual are not intended for safe and proper assembly or disassembly of equipment. The illustrations are intended for ordering parts only.

Land Pride is registered trademark.

All other brands and product names are trademarks or registered trademarks of their respective holders.

Printed in the United States of America.



# Alphabetized Table of Contents

<b>A</b>	Axle Center.....30 Axle Wing.....32	<b>S</b>	Lights 3.5 Inch (LED).....98 Shredder Blades.....100 Spindle & Hub Assembly (331-496S).....36 Spindle & Hub Assembly (334-566S).....38
<b>B</b>	Blade Carrier Components.....94 Blade Carrier Options.....96	<b>T</b>	Tire Options.....104 Touch-up Paints - LP.....106
<b>D</b>	Decals.....102 Deck Center Components.....6 Deck Center Drive Components.....8 Deck Wing Components.....10 Deck Wing Drive Components.....12 Divider Box 1000 RPM 1.35:1 (826-709C).....64 Divider Box 540 RPM 1:1.35 (826-708C).....66 Driveline Center (826-820C) Comer.....48 Driveline Conv. 1000 RPM (826-247C) Walterscheid.....50 Driveline Conv. 540 RPM (826-112C) Walterscheid.....52 Driveline CV 1.38 1000 RPM (826-644C) Weasler.....54 Driveline CV 1.38 1000 RPM W/ Overrunning Clutch (826-793C) Weasler.....56 Driveline CV 1.38 540 RPM (826-643C) Weasler.....58 Driveline CV 1.75 1000 RPM (826-645C).....60 Driveline Wing (826-819C) Comer.....62		
<b>G</b>	Gearbox (826-840C).....68 Gearbox (826-841C).....70 Gearbox 1000 RPM (826-626C) Comer.....72 Gearbox 540 RPM (826-316C).....74 Guards Chain Double Row Front.....40 Guards Chain Double Row Rear.....42 Guards Chain Single Row Front.....44 Guards Chain Single Row Rear.....46		
<b>H</b>	Hitch A-Frame.....14 Hitch Ball Coupler.....16 Hitch Bar Tite.....18 Hitch LP Performance.....20 Hitch Pintle.....22 Hitch Standard Pivoting Clevis.....24 Hub Assembly (330-938K).....34 Hydraulic Cylinder (810-362C) Cross.....76 Hydraulic Cylinder (810-362C) Midway.....78 Hydraulic Cylinder (810-738C) Red Lion.....80 Hydraulic Cylinder (810-838C) Red Lion.....82 Hydraulic Cylinder (850-327C) Monarch.....84 Hydraulic Cylinder Plumbing Components.....86 Hydraulic Cylinder Rephase (810-632C) Monarch.....88 Hydraulic Cylinder Rephase (810-831C) Red Lion.....90 Hydraulic Cylinders W/ Mounting Components.....92		
<b>L</b>	Leveling Rod.....26 Lights 3.5 Inch (LED).....28		

# General Information

## Using This Manual

This manual is divided into sections. The first section contains General Information. The remaining sections divide the machine into segments (i.e. Frames, Drives, Hydraulics, etc.) which illustrate and list all parts. A Parts Number Index is located at the back of the book.

The Land Pride parts in this manual are specially designed for this machine and should be replaced with Land Pride parts only.

The information in this manual is current at time of printing. Some parts may change to assure top performance.

Right-hand and left-hand as used in this manual are determined by facing the direction the machine will travel while in use.

Below is an example of two facing pages from a parts manual. Familiarize yourself with the type of information contained on these pages.

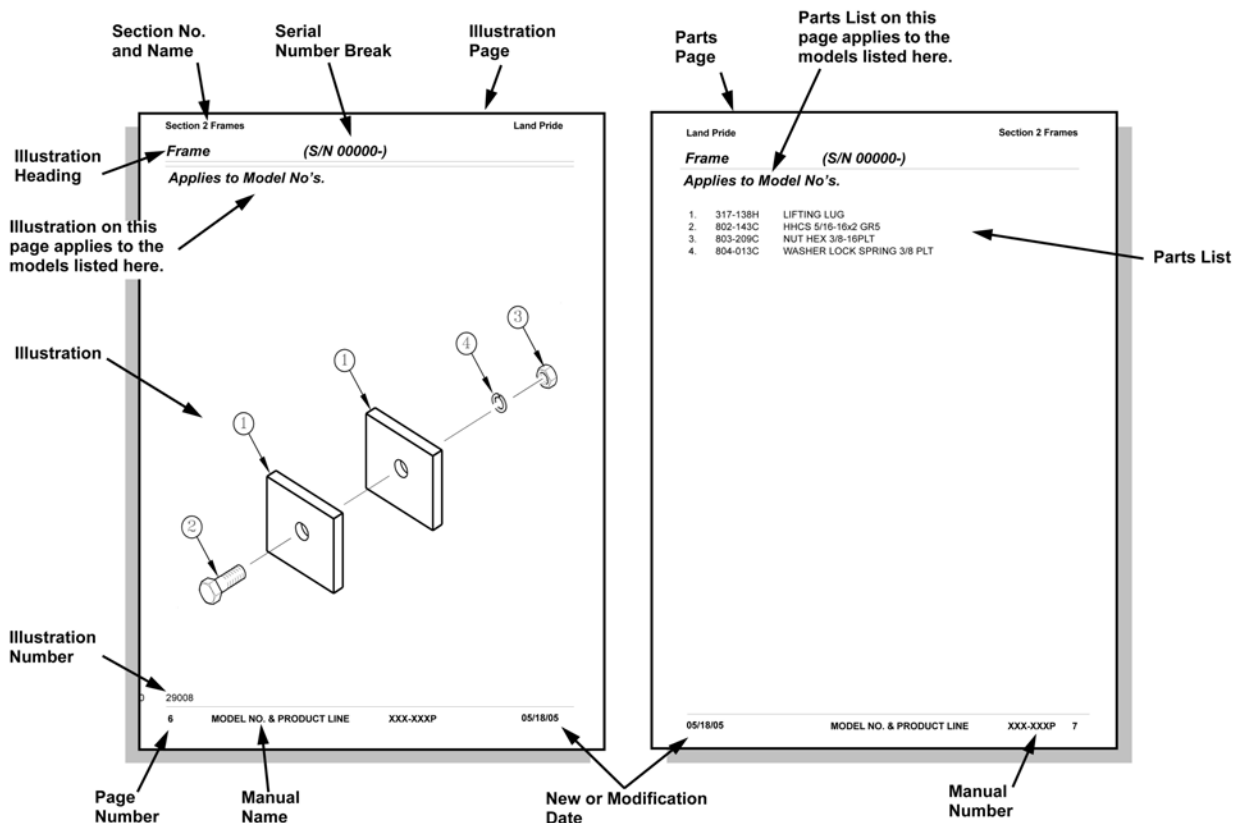
## Manual Replacement Information

Replacement manuals are available. Refer to our website at [www.landpride.com](http://www.landpride.com) or e-mail us at [lit@landpride.com](mailto:lit@landpride.com) for additional information. Our website continues to provide the most up-to-date manuals available.

## Touch-up Paint

Repaint parts where paint is worn or scratched to prevent rust. Aerosol cans and touch-up bottles with brush applicator are available through your local dealer. Also available are quart and gallon size paints. Add QT or GL to end of the Aerosol P/N.

Land Pride color descriptions and part numbers are listed on the "Land Pride Touch-up Paints" page in the "Decals" section of this book. Color options vary by product.



## General Information

### Hardware Legend

<b>AR</b>	As Required
<b>BLADE</b>	Blade Bolt
<b>C</b>	Cap Screw
<b>CP</b>	Cotter Pin
<b>CPHSSS</b>	Cup Point Hex Socket Set Screw
<b>CPSHSS</b>	Cup Point Square Head Set Screw
<b>CPSQHSS</b>	Cup Point Square Head Set Screw
<b>CRFCHMS3</b>	Cross Recess Flat Countersunk Head Machine Screw
<b>CRPHMS</b>	Cross Recess Pan Head Machine Screw
<b>CRPHTF</b>	Cross Recess Pan Head Thread Forming
<b>CRRHMS</b>	Cross Recess Round Head Machine Screw
<b>CRTHMS</b>	Cross Recess Truss Head Machine Screw
<b>CSNB</b>	Countersunk Square Neck Bolt
<b>FHMS</b>	Flat Head Machine Screw
<b>FTC</b>	Full Thread Cap Screw
<b>H</b>	Hex Nut
<b>HCLN</b>	Hex Center Lock Nut
<b>HFLCS</b>	Hex Flange Lock Cap Screw
<b>HFS</b>	Hex Flange Screw
<b>HFSLN</b>	Hex Flange Serrated Lock Nut
<b>HFSS</b>	Hex Flange Serrated Screw
<b>HHCS</b>	Hex Head Cap Screw or Metric Bolt
<b>HSBHCS</b>	Hex Socket Button Head Cap Screw
<b>HSFCHCS</b>	Hex Socket Flat Countersunk Head Cap Screw
<b>HSHCS</b>	Hex Socket Head Cap Screw
<b>HSSS</b>	Hex Socket Head Screw
<b>HTLN</b>	Hex Top Lock Nut
<b>HWHCS</b>	Hex Washer Head Cap Screw

<b>HWHMS</b>	Hex Washer Head Machine Screw
<b>HXBHCS</b>	Hex Socket Button Head Cap Screw
<b>J</b>	Hex Jam Nut
<b>JIC</b>	37 Degree Tapered Thread
<b>L</b>	Helical Spring Lock Washer
<b>LUG</b>	Lug Bolt
<b>NFC</b>	National Fine Cap Screw
<b>NPSM</b>	National Pipe Straight Mechanical
<b>NPTF</b>	National Pipe Taper Fuel
<b>P</b>	Wide Plain Washer
<b>PHMS</b>	Pan Head Machine Screw
<b>PLOW</b>	Plow Bolt
<b>RHMS</b>	Round Head Machine Screw
<b>RHSNB</b>	Round Head Square Neck Bolt
<b>SCREW LEVELING</b>	Leveling Screw
<b>SCREW THUMB</b>	Thumb Screw
<b>SCREW WELD</b>	Weld Screw
<b>SFCHMS</b>	Slotted Flat Countersunk Head Machine Screw
<b>SFHMS</b>	Slotted Fillister Head Machine Screw
<b>SP</b>	Special
<b>SP SCREW</b>	Special Screw
<b>SQHSS</b>	Square Head Set Screw
<b>SRHMS</b>	Slotted Round Head Machine Screw
<b>SSS</b>	Socket Set Screw
<b>STCS</b>	Self Tapping Cap Screw
<b>STHMS</b>	Slotted Truss Head Machine Screw
<b>WHEEL</b>	Wheel Studs and Hub Long Bolts
<b>WING</b>	Wing Bolt

### Replacement Hardware

The **Hardware Legend** above lists hardware abbreviations used in the parts list. All bolts and nuts are Grade 5 unless otherwise noted. The use of improper grades of hardware can result in personal injury, damage to equipment, or loss of property.

### Colored Replacement Parts

Land Pride offers replacement parts in factory standard colors and also on select models in Green, Orange, Red and Blue. Because of the variety of colors available, special attention must be given to the part number to prevent ordering the wrong replacement part.

A suffix number corresponding to one of the colors below must be added at the end of Land Pride's part number when ordering a replacement part with that color.

**81 . . . . . Green      83 . . . . . Red**  
**82 . . . . . Orange    84 . . . . . Blue**

For example, if you are ordering a replacement part with part number 555-555C and the part you need is red, then add the suffix 83 to the end of the number to make the part number read 555-555C83. Parts ordered without a suffix number will be supplied in factory standard colors.

### Black Replacement Parts

Some parts are factory standard black and some must be special ordered black. If your part is special ordered black, a second part number with the additional suffix number 85 on the end will be available. In this situation you must order that part with the suffix number for it to be black. Parts that are factory standard black will not have the suffix number.

### Part Number Service Coding

Within the parts list some part numbers are coded for revisions and interchangeability. See notations in revision column.

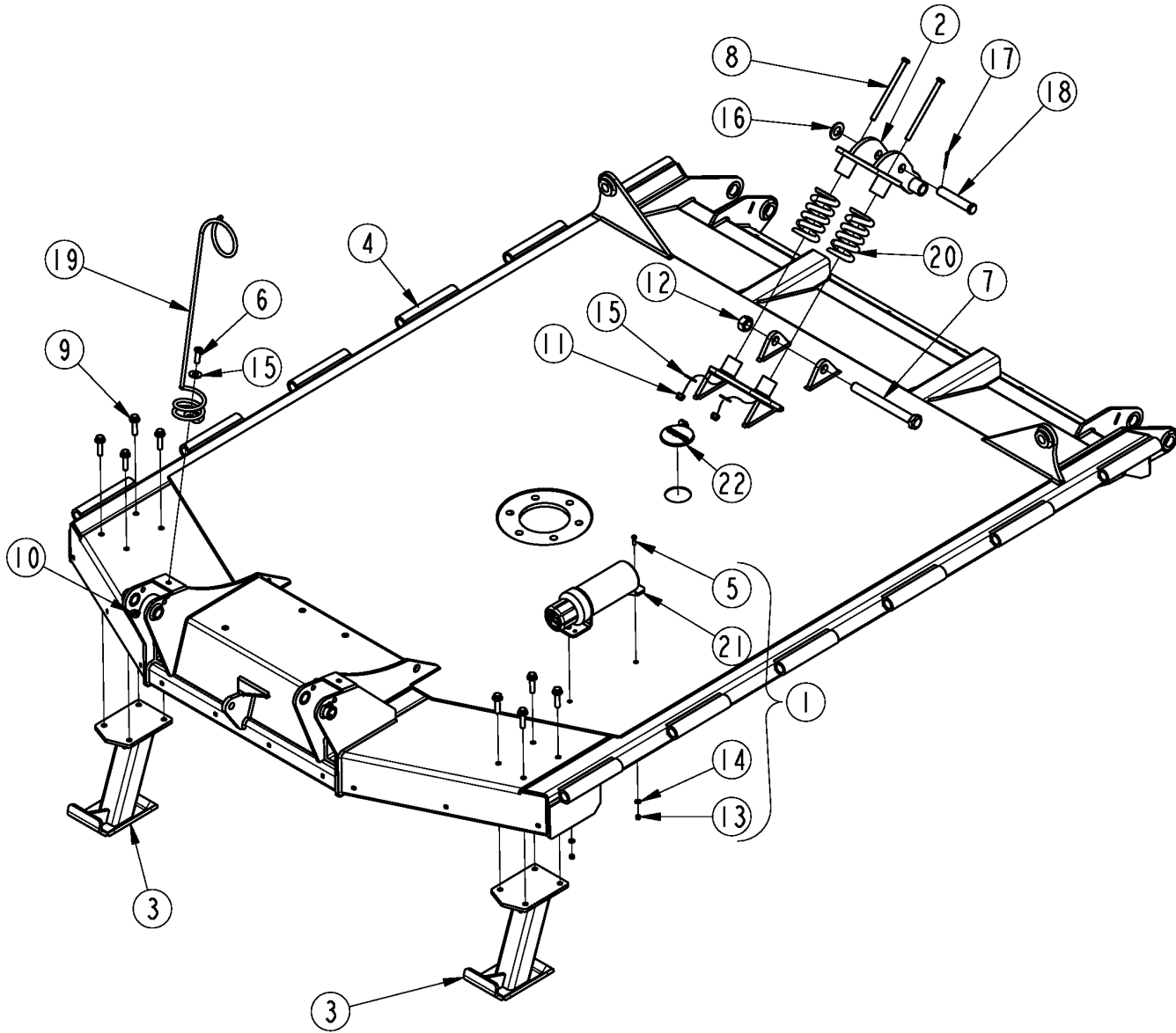
### Serial Numbers

Always use the serial and model number when ordering parts. Refer to the Operator's Manual for serial number plate location.

- (S/N 20001+)                      Includes serial numbers 20001 and above (to the latest number)
- (S/N 10001 to 20000)           Includes serial numbers between and including 10001 and 20000
- (S/N 10000-)                      Includes serial numbers 10000 and below (to the earliest number)

# Deck Center Components

Applies to RC4620, RCM4620



39218

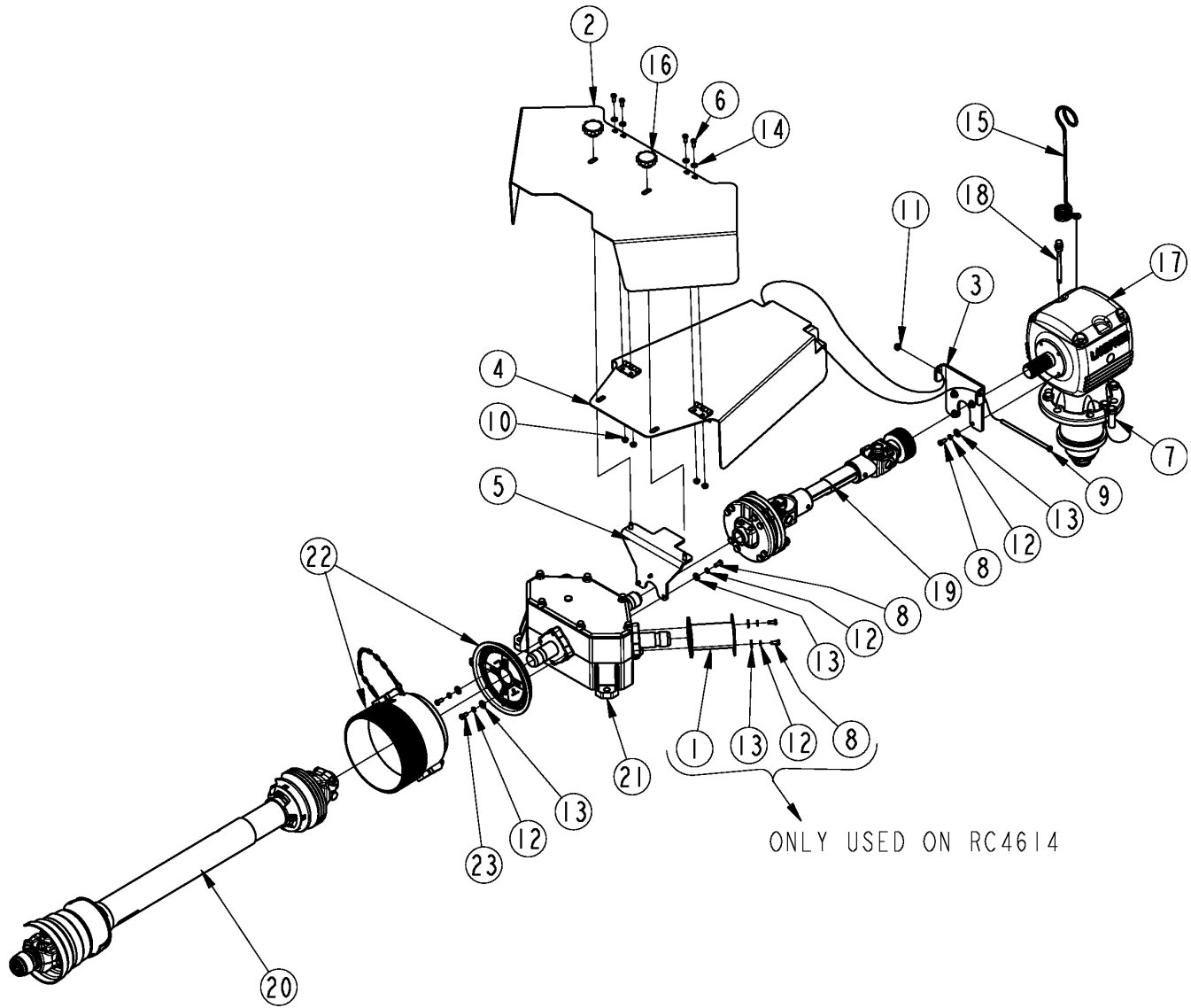
**Deck Center Components****Applies to RC4620, RCM4620**

Ref	Part No.	Part Description	Comments	Revision
	Dwg 39218	Image No.		
1.	318-920S	MANUAL STORAGE CONTAINER KIT		
2.	330-801H	SPRING TRUNNION		
3.	330-802H	SKID SHOE		
4.	331-903H	DECK CENTER W/O DR	Beige	
4.	331-903H81	DECK CENTER W/O DR GREEN	Green	
4.	331-903H82	DECK CENTER W/O DR ORANGE	Orange	
4.	331-903H83	DECK CENTER W/O DR RED	Red	
4.	331-903H86	DECK CENTER W/O DR YELLOW	Yellow	
4.	331-904H	DECK CENTER W/ DR	Beige	
4.	331-904H81	DECK CENTER W/ DR GREEN	Green	
4.	331-904H82	DECK CENTER W/ DR ORANGE	Orange	
4.	331-904H83	DECK CENTER W/ DR RED	Red	
4.	331-904H86	DECK CENTER W/ DR YELLOW	Yellow	
5.	802-005C	HHCS 1/4-20X1 GR5		
6.	802-091C	HHCS 1/2-13X1 1/2 GR5		
7.	802-287C	HHCS 1-8X9 1/2 GR5		
8.	802-377C	HHCS 1/2-13X7 1/2 GR5		
9.	802-456C	HFS 1/2-13X2 GR8		
10.	803-037C	NUT HEX WHIZ 1/2-13 PLT		
11.	803-147C	NUT HEX NYLOCK 1/2-13		
12.	803-168C	NUT HEX TOP LOCK 1-8 PLT		
13.	803-255C	NUT HEX NYLOCK 1/4-20		
14.	804-007C	WASHER FLAT 1/4 SAE PLT		
15.	804-017C	WASHER FLAT 1/2 USS PLT		
16.	804-029C	WASHER FLAT 1 SAE		
17.	805-104C	PIN COTTER 3/16 X 1 1/2 PLT		
18.	805-131C	PIN CLVS 1.0X4.69 USBL		
19.	807-073C	SPRING HOSE LOOP HEAVY		
20.	807-271C	SPRING COMP 3.20OD .63W 5.5L		
21.	816-481C	MANUAL STORAGE CONTAINER		
22.	840-273C	PLUG LP 3" ID RUBBER		



# Deck Center Drive Components

Applies to RC4620, RCM4620



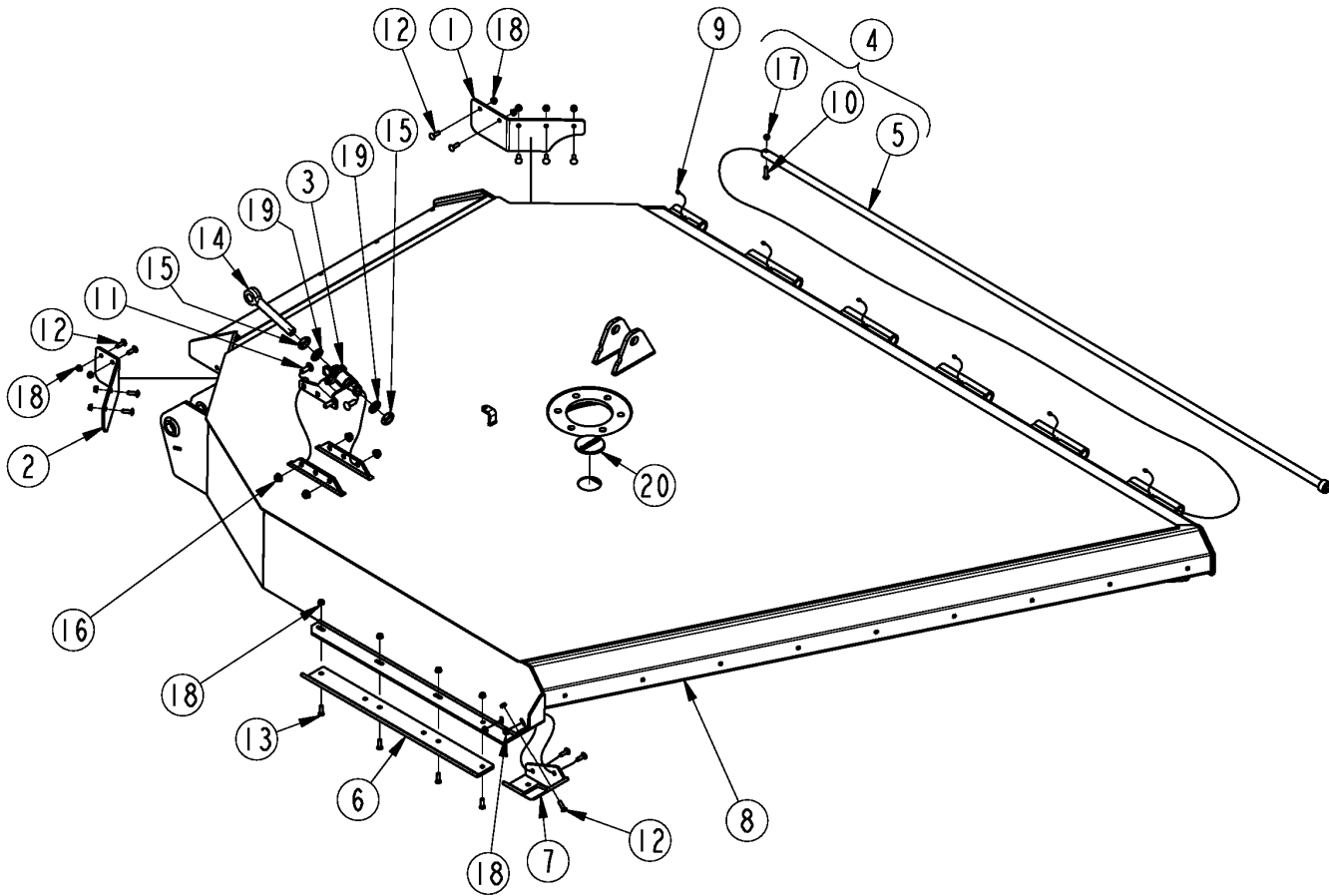


**Deck Center Drive Components****Applies to RC4620, RCM4620**

<b>Ref</b>	<b>Part No.</b>	<b>Part Description</b>	<b>Comments</b>	<b>Revision</b>
	Dwg 39219	Image No.		
1.	318-141H	WLDMT. SHAFT PROTECTOR	Used only with RC4614	
2.	330-661D	SHIELD, FRONT HALF		
3.	330-662D	BRKT, SHIELD MOUNT		
4.	331-046H	SHIELD, REAR HALF		
5.	331-356D	SHIELD LOCK BRKT		
6.	802-007C	HHCS 5/16-18X3/4 GR5		
7.	802-065C	HHCS 3/4-10X2 1/4 GR5		
8.	802-314C	HHCS M8X1.25X20 GR8.8		
9.	802-900C	HHCS 3/8-16X8 GR5 ZNYCR		
10.	803-177C	NUT HEX FLG TP LK 5/16-18ZNYCR		
11.	803-209C	NUT FLANGE LOCK 3/8-16 PLT		
12.	804-009C	WASHER LOCK SPRING 5/16 PLT		
13.	804-010C	WASHER FLAT 5/16 USS PLT		
14.	804-036C	WASHER FLAT 5/16 SAE PLT		
15.	807-023C	SPRING HOSE LOOP		
16.	817-259C	KNOB 3/8-16 FEMALE THD 2 3/8OD		
17.	826-316C	GBOX RC50 1:1.46 REV	540 RPM	
17.	826-626C	GBOX RCM50 1.21:1 REV	1000 RPM	
18.	826-486C	COMER U0.125.7003.00 DIPSTICK		
19.	826-820C	DRVLN C4 16 1.75-20 FX CLTCH		
20.	826-643C	DRVLN C6 42 1.38-6 CV	540 RPM	
20.	826-112C	DRVLN C5 40 1.38-6 QD	540 RPM	
20.	826-793C	DRVLN C6 39 1.38-21 CV ORCLTCH	1000 RPM	
20.	826-645C	DRVLN C6 47 1.75-20 CV	1000 RPM	
20.	826-644C	DRVLN C6 42 1.38-21 CV	1000 RPM	
20.	826-247C	DRVLN C5 44 1.38-21 QD	1000 RPM	
21.	826-708C	DIV BOX 540RPM 1:1.35	540 RPM	
21.	826-709C	DIV BOX 1000RPM 1.35:1	1000 RPM	
22.	837-066C	DRIVELINE SHIELD CONE, 2 PIECE EA		
22.	837-079C	DRVLN SHLD CONE, 2 PIECE LONG	Used only with driveline 826-793C	
23.	842-243C	HHCS M8X1.25X20 GR8.8 THD-LCK		

# Deck Wing Components

Applies to RC4620, RCM4620



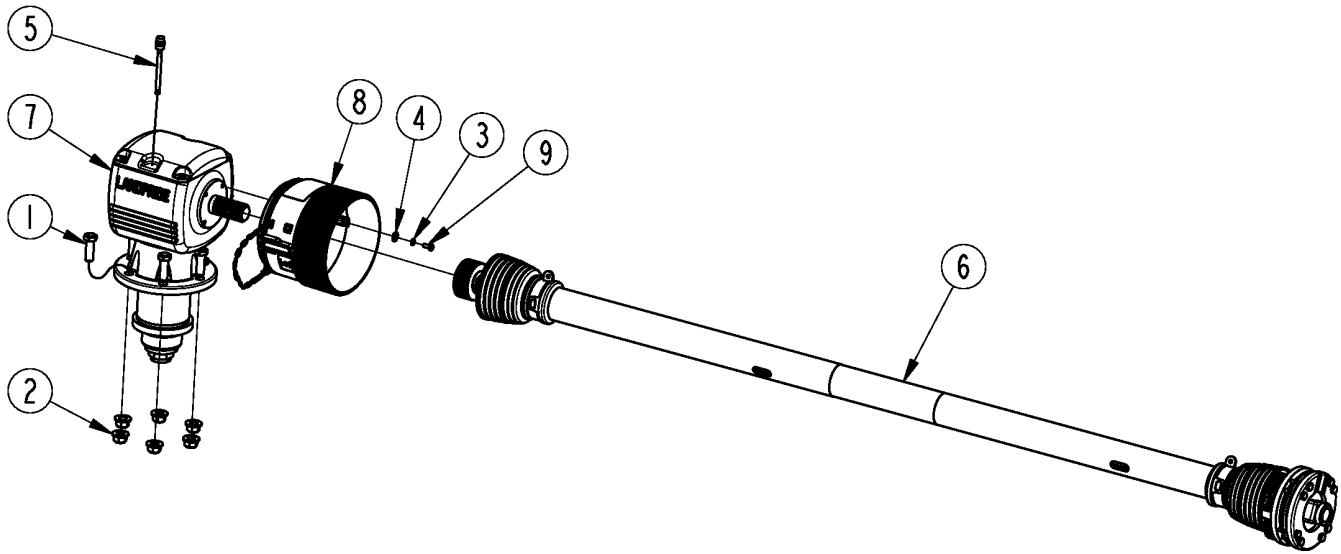
39220

**Deck Wing Components****Applies to RC4620, RCM4620**

Ref	Part No.	Part Description	Comments	Revision
	Dwg 39220	Image No.		
1.	330-522D	DEFLECTOR INNER RH	Right wing	
1.	330-528D	DEFLECTOR INNER LH	Left wing	
2.	330-526D	DEFLECTOR OUTER RH	Right wing	
2.	330-529D	DEFLECTOR OUTER LH	Left wing	
3.	330-788H	MOUNT REPH CYL ADJ RH	Right wing	
3.	330-982H	MOUNT REPH CYL ADJ LH	Left Wing	
4.	330-806L	ASSY HINGE ROD		
5.	330-807H	HINGE ROD		
6.	330-835D	WING SKID SHOE		
7.	331-120H	HARDENED WING SKID SHOE		
8.	331-905H	DECK WING RH W/O DR	Beige	
8.	331-905H81	DECK WING RH W/O DR GREEN	Green	
8.	331-905H82	DECK WING RH W/O DR ORANGE	Orange	
8.	331-905H83	DECK WING RH W/O DR RED	Red	
8.	331-905H86	DECK WING RH W/O DR YELLOW	Yellow	
8.	331-906H	DECK WING RH W/ DR	Beige	
8.	331-906H81	DECK WING RH W/ DR GREEN	Green	
8.	331-906H82	DECK WING RH W/ DR ORANGE	Orange	
8.	331-906H83	DECK WING RH W/ DR RED	Red	
8.	331-906H86	DECK WING RH W/ DR YELLOW	Yellow	
8.	331-907H	DECK WING LH W/O DR	Beige	
8.	331-907H81	DECK WING LH W/O DR GREEN	Green	
8.	331-907H82	DECK WING LH W/O DR ORANGE	Orange	
8.	331-907H83	DECK WING LH W/O DR RED	Red	
8.	331-907H86	DECK WING LH W/O DR YELLOW	Yellow	
8.	331-908H	DECK WING LH W/ DR	Beige	
8.	331-908H81	DECK WING LH W/ DR GREEN	Green	
8.	331-908H82	DECK WING LH W/ DR ORANGE	Orange	
8.	331-908H83	DECK WING LH W/ DR RED	Red	
8.	331-908H86	DECK WING LH W/ DR YELLOW	Yellow	
9.	800-001C	GREASE ZERK STRAIGHT 1/4-28		
10.	802-022C	HHCS 3/8-16X1 1/2 GR5		
11.	802-106C	RHSNB 1/2-13X1 1/2 GR5		
12.	802-155C	RHSNB 3/8-16X1 1/4 GR5		
13.	802-466C	PLOW 3/8-16X1 1/4 GR5		
14.	802-754C	EYE BOLT 1-8X7 1/2 LG PLT SP		
15.	803-030C	NUT HEX JAM 1-8 PLT		
16.	803-037C	NUT HEX WHIZ 1/2-13 PLT		
17.	803-123C	NUT HEX TOP LOCK 3/8-16 PLT		
18.	803-198C	NUT HEX WHIZ 3/8-16 PLT		
19.	804-027C	WASHER LOCK SPRING 1 PLT		
20.	840-273C	PLUG LP 3" ID RUBBER		

# Deck Wing Drive Components

Applies to RC4620, RCM4620



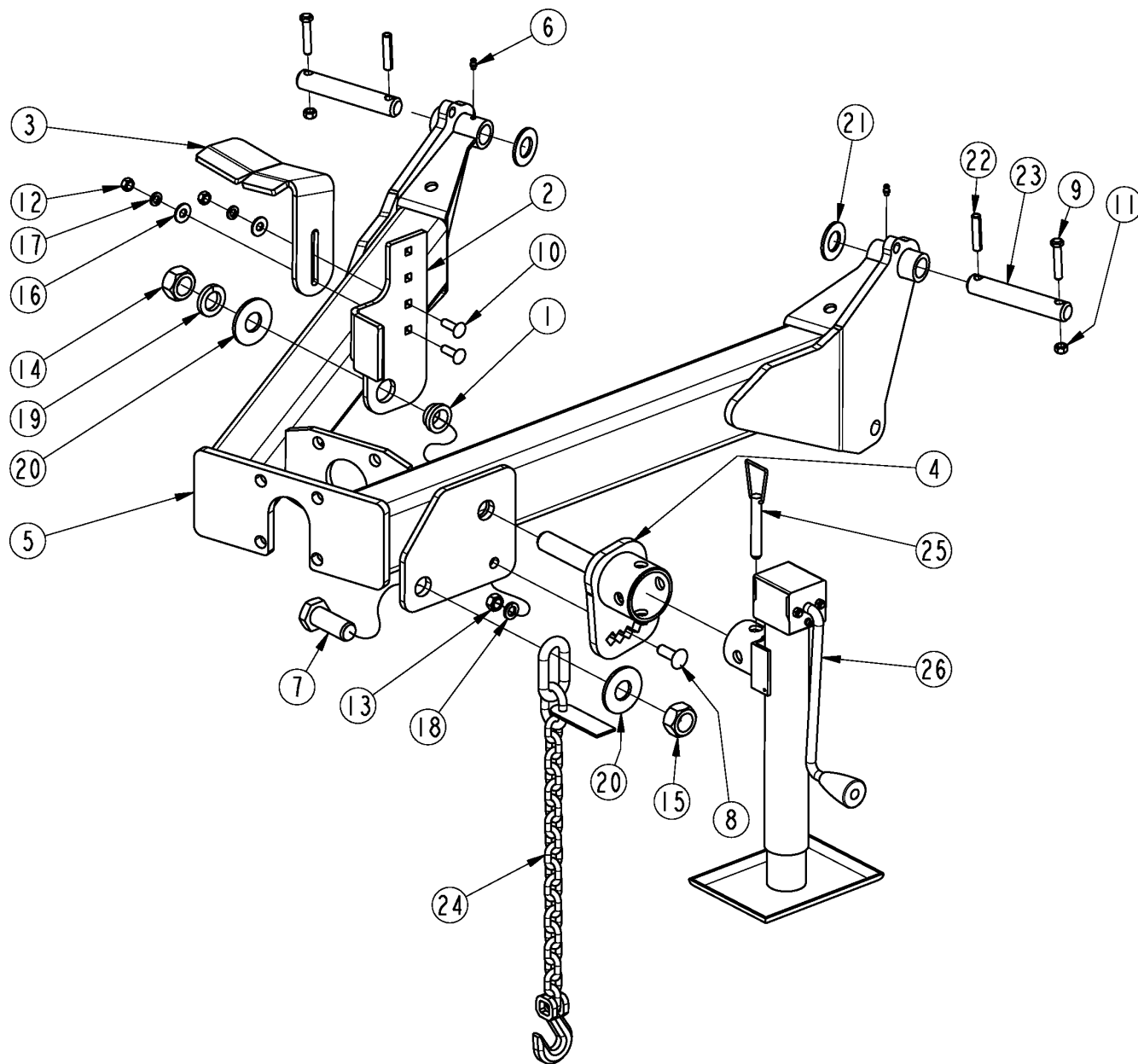
39221

**Deck Wing Drive Components****Applies to RC4620, RCM4620**

<b>Ref</b>	<b>Part No.</b>	<b>Part Description</b>	<b>Comments</b>	<b>Revision</b>
	Dwg 39221	Image No.		
1.	802-065C	HHCS 3/4-10X2 1/4 GR5		
2.	803-299C	NUT HEX FLG TOP LK 3/4-10 PLT		
3.	804-009C	WASHER LOCK SPRING 5/16 PLT		
4.	804-010C	WASHER FLAT 5/16 USS PLT		
5.	826-486C	COMER U0.125.7003.00 DIPSTICK		
6.	826-819C	DRVLN C5 65 1.75-20 FX CLTCH	Left & Right wing	
7.	826-840C	GBOX RC50 1:1 STD	Right wing	
7.	826-841C	GBOX RC50 1:1 REV	Left wing	
8.	837-066C	DRIVELINE SHIELD CONE, 2 PIECE		
9.	842-243C	HHCS M8X1.25X20 GR8.8 THD-LCK		

# Hitch A-Frame

Applies to RC4620, RCM4620



39277

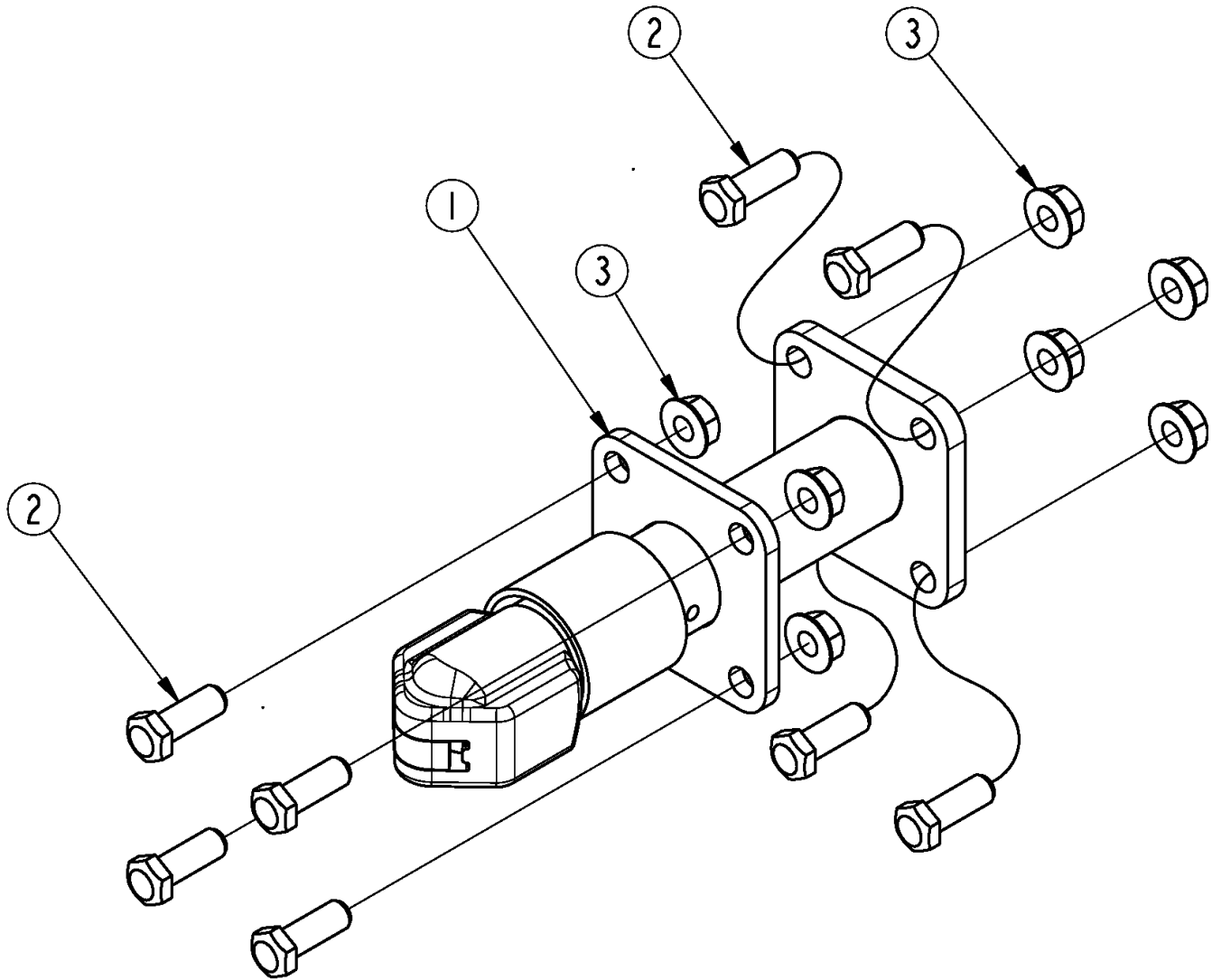
**Hitch A-Frame****Applies to RC4620, RCM4620**

<b>Ref</b>	<b>Part No.</b>	<b>Part Description</b>	<b>Comments</b>	<b>Revision</b>
	Dwg 39277	Image No.		
1.	331-087D	PTO HANGER BUSHING		
2.	331-088D	PTO HANGER STOP		
3.	331-089D	PTO HANGER		
4.	331-561H	ADJUSTABLE JACK MOUNT		
5.	331-629H	HITCH W/ ADJ JACK MNT		
6.	800-001C	GREASE ZERK STRAIGHT 1/4-28		
7.	802-096C	HHCS 1-8X2 1/2 GR5		
8.	802-106C	RHSNB 1/2-13X1 1/2 GR5		
9.	802-143C	HHCS 3/8-16X2 GR5		
10.	802-155C	RHSNB 3/8-16X1 1/4 GR5		
11.	803-013C	NUT LOCK 3/8-16 PLT		
12.	803-014C	NUT HEX 3/8-16 PLT		
13.	803-020C	NUT HEX 1/2-13 PLT		
14.	803-031C	NUT HEX 1-8 PLT		
15.	803-168C	NUT HEX TOP LOCK 1-8 PLT		
16.	804-011C	WASHER FLAT 3/8 USS PLT		
17.	804-013C	WASHER LOCK SPRING 3/8 PLT		
18.	804-015C	WASHER LOCK SPRING 1/2 PLT		
19.	804-027C	WASHER LOCK SPRING 1 PLT		
20.	804-028C	WASHER FLAT 1 USS PLT		
21.	804-029C	WASHER FLAT 1 SAE		
22.	805-249C	PIN ROLL 3/8 X 2 PLT		
23.	805-548C	PIN 1.0 X 4.62 USBL HRDN		
24.	890-182C	SAFETY CHAIN 10000 LB		
25.	N/A		Available with sidewind jack	
26.	891-524C	SIDEWIND JACK 7000 LB		



# Hitch Ball Coupler

Applies to RC4620, RCM4620



26568

## ***Hitch Ball Coupler***

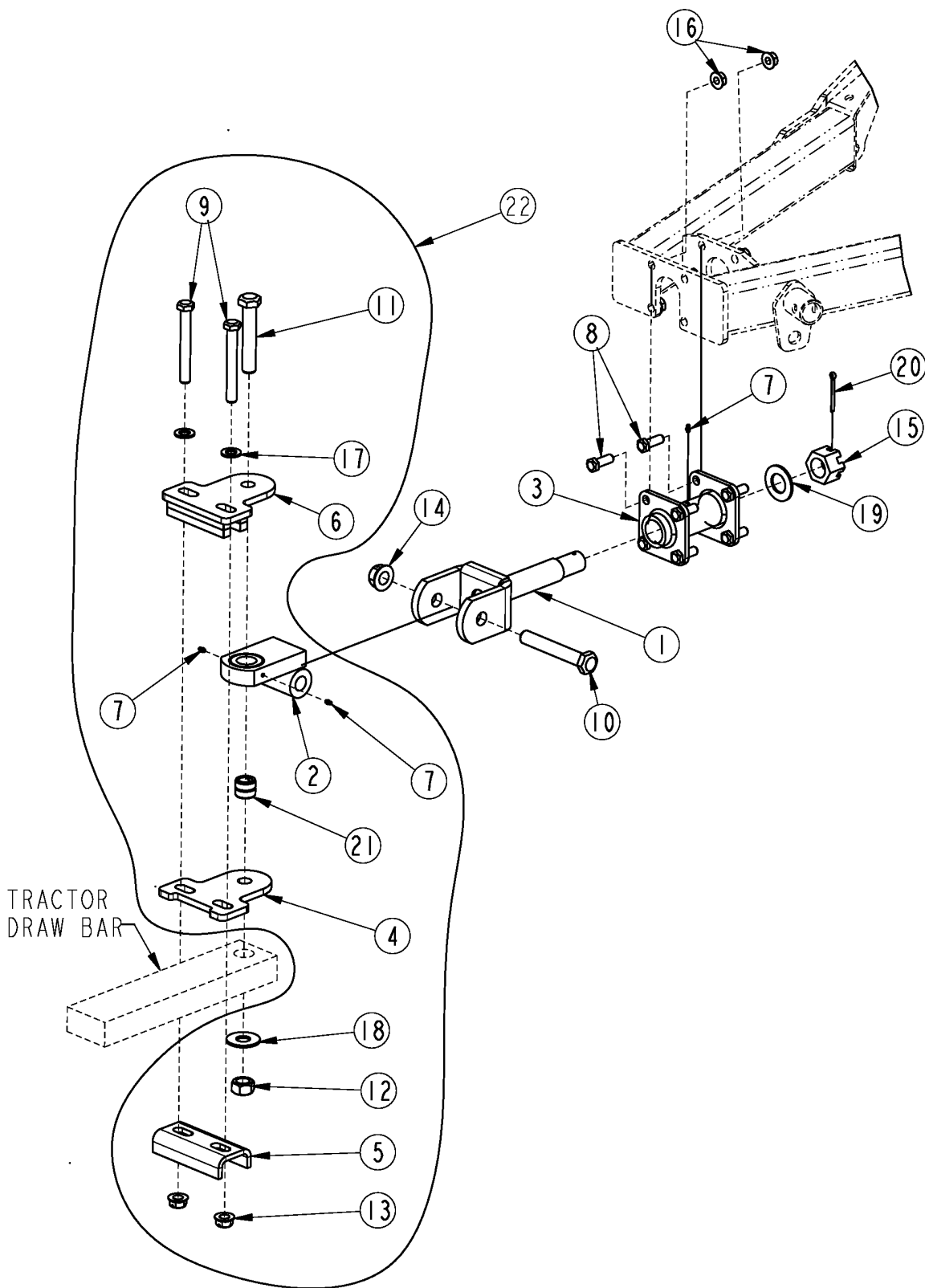
---

### **Applies to RC4620, RCM4620**

<b>Ref</b>	<b>Part No.</b>	<b>Part Description</b>	<b>Comments</b>	<b>Revision</b>
	Dwg 26568	Drawing Image Number		
	330-335A	2 5/16" BALL HITCH ASSEMBLY *	For 2-5/16" Ball	
1.	330-348H	2 5/16" BALL HITCH WELDMENT		
2.	802-053C	HHCS 5/8-11X1 3/4 GR5		
3.	803-304C	NUT HEX WHIZ 5/8-11 PLT		

# Hitch Bar Tite

Applies to RC4620, RCM4620



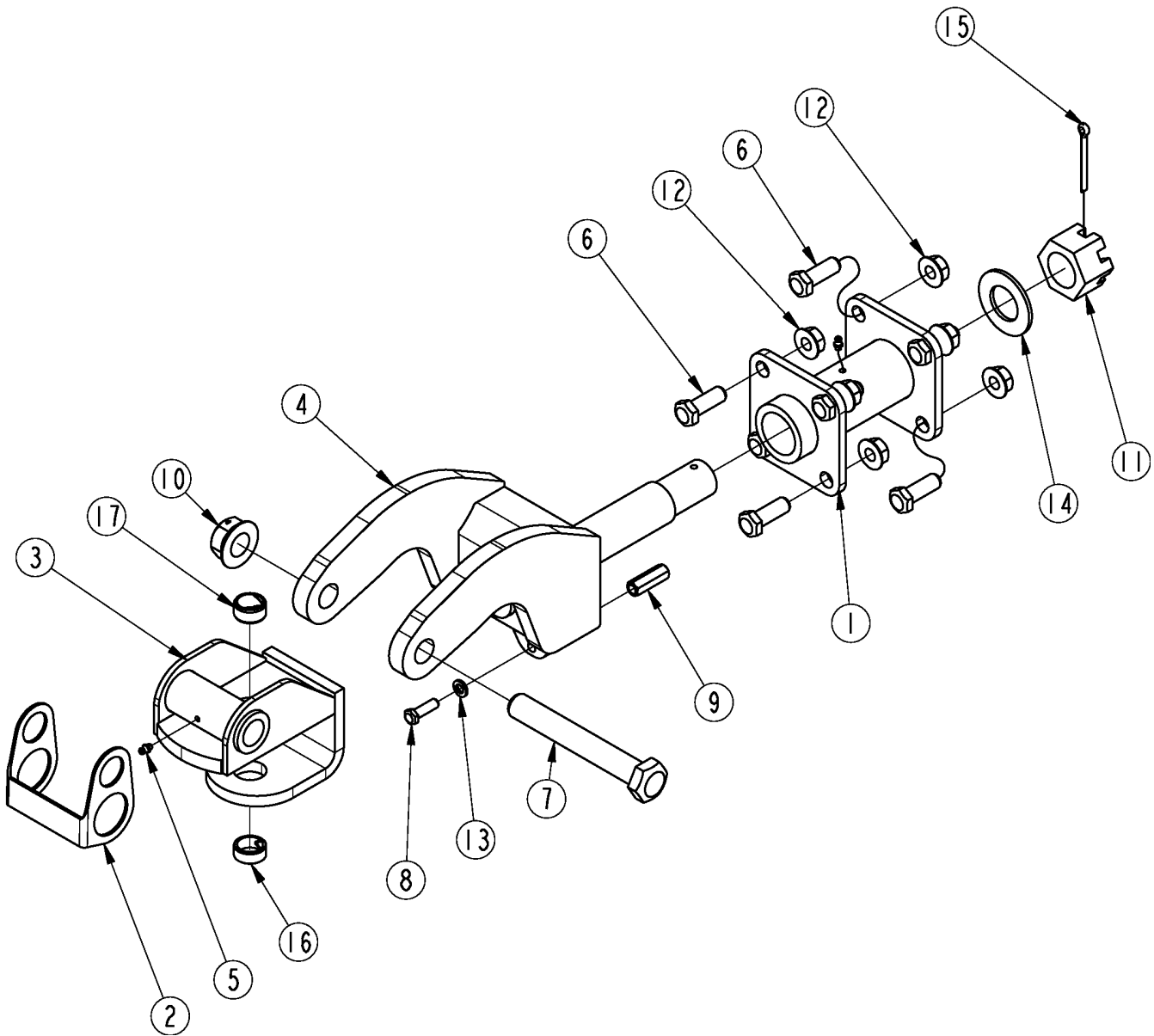
26569

**Hitch Bar Tite****Applies to RC4620, RCM4620**

<b>Ref</b>	<b>Part No.</b>	<b>Part Description</b>	<b>Comments</b>	<b>Revision</b>
	Dwg 26569 330-333A	Drawing Image Number BAR TITE HITCH *		
1.	318-358H	SHAFT WELDMENT		
2.	318-834H	WELDMENT HITCH CLEVIS		
3.	330-271H	SWIVEL RECEIVER		
4.	330-563D	HITCH WEAR PLATE WIDE		
5.	330-564D	FORMED HITCH SUPPORT WIDE		
6.	330-975H	BAR TITE WIDE TOP		
7.	800-001C	GREASE ZERK STRAIGHT 1/4-28		
8.	802-053C	HHCS 5/8-11X1 3/4 GR5		
9.	802-070C	HHCS 3/4-10X6 GR5		
10.	802-074C	HHCS 1-8X6 1/2 GR5		
11.	802-205C	HHCS 1-8X5 1/2 GR5		
12.	803-168C	NUT HEX TOP LOCK 1-8 PLT		
13.	803-181C	NUT HEX FLANGE LOCK 3/4-10 PLT		
14.	803-258C	NUT HEX FLG LOCK 1-8 GR B PLT		
15.	803-301C	NUT HEX SLOTTED 1 1/2-6 PLT		
16.	803-304C	NUT HEX WHIZ 5/8-11 PLT		
17.	804-025C	WASHER FLAT 3/4 SAE PLT		
18.	804-028C	WASHER FLAT 1 USS PLT		
19.	804-171C	WASHER FLAT 1.50 HARD ASTM436		
20.	805-105C	PIN COTTER 1/4 X 2 1/2 PLT		
21.	890-862C	BUSHING 1.50ODX1.00IDX1.25		
22.	330-974K	BAR TITE HITCH WIDE		

### Hitch LP Performance

Applies to RC4620, RCM4620



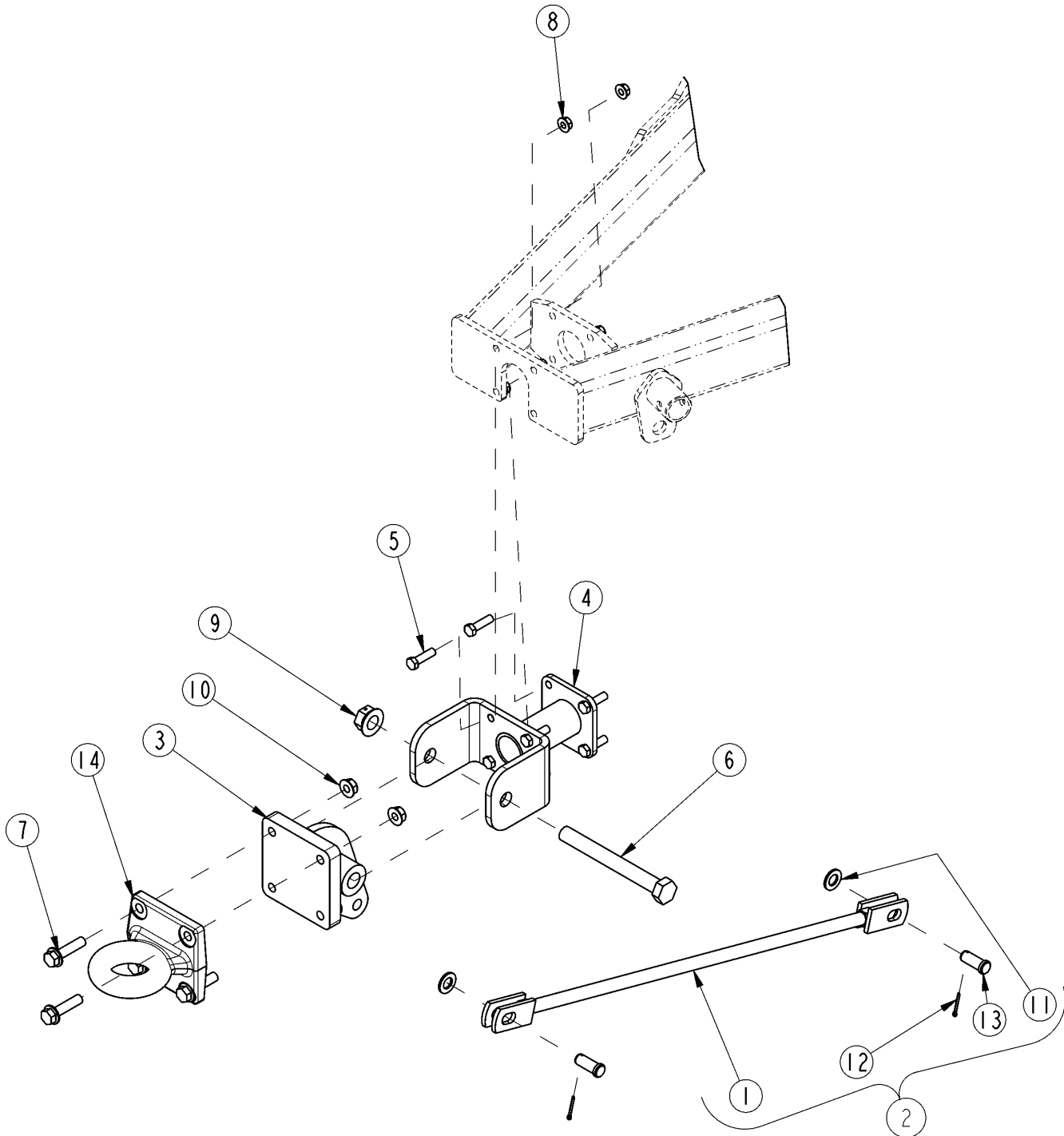
39286

**Hitch LP Performance****Applies to RC4620, RCM4620**

Ref	Part No.	Part Description	Comments	Revision
	Dwg 39286	Image No.		
	334-045A	LP PERFORMANCE HITCH		
	*			
1.	330-271H	SWIVEL RECEIVER		
2.	331-543D	HITCH HOLDER		
3.	334-046H	HITCH CLEVIS		
4.	334-048H	HITCH YOKE		
5.	800-001C	GREASE ZERK STRAIGHT 1/4-28		
6.	802-053C	HHCS 5/8-11X1 3/4 GR5		
7.	842-460C	HHCS 1-8X7 GR8 SPTH	S/N _____ +	
7.	802-075C	HHCS 1-8X7 GR5	S/N _____ -	
8.	802-079C	HHCS 3/8-16X1 1/4 GR5		
9.	803-201C	NUT HEX COUPLER 3/8-16X1 3/4		
10.	803-258C	NUT HEX FLG LOCK 1-8 GR B PLT		
11.	803-301C	NUT HEX SLOTTED 1 1/2-6 PLT		
12.	803-304C	NUT HEX WHIZ 5/8-11 PLT		
13.	804-013C	WASHER LOCK SPRING 3/8 PLT		
14.	804-171C	WASHER FLAT 1.50 HARD ASTM F436		
15.	805-105C	PIN COTTER 1/4 X 2 1/2 PLT		
16.	890-836C	BUSHING 1 1/4X1X1/2 HRD		
17.	890-850C	BUSHING 1 1/4X1X5/8		

# Hitch Pintle

Applies to RC4620, RCM4620



26570



## ***Hitch Pintle***

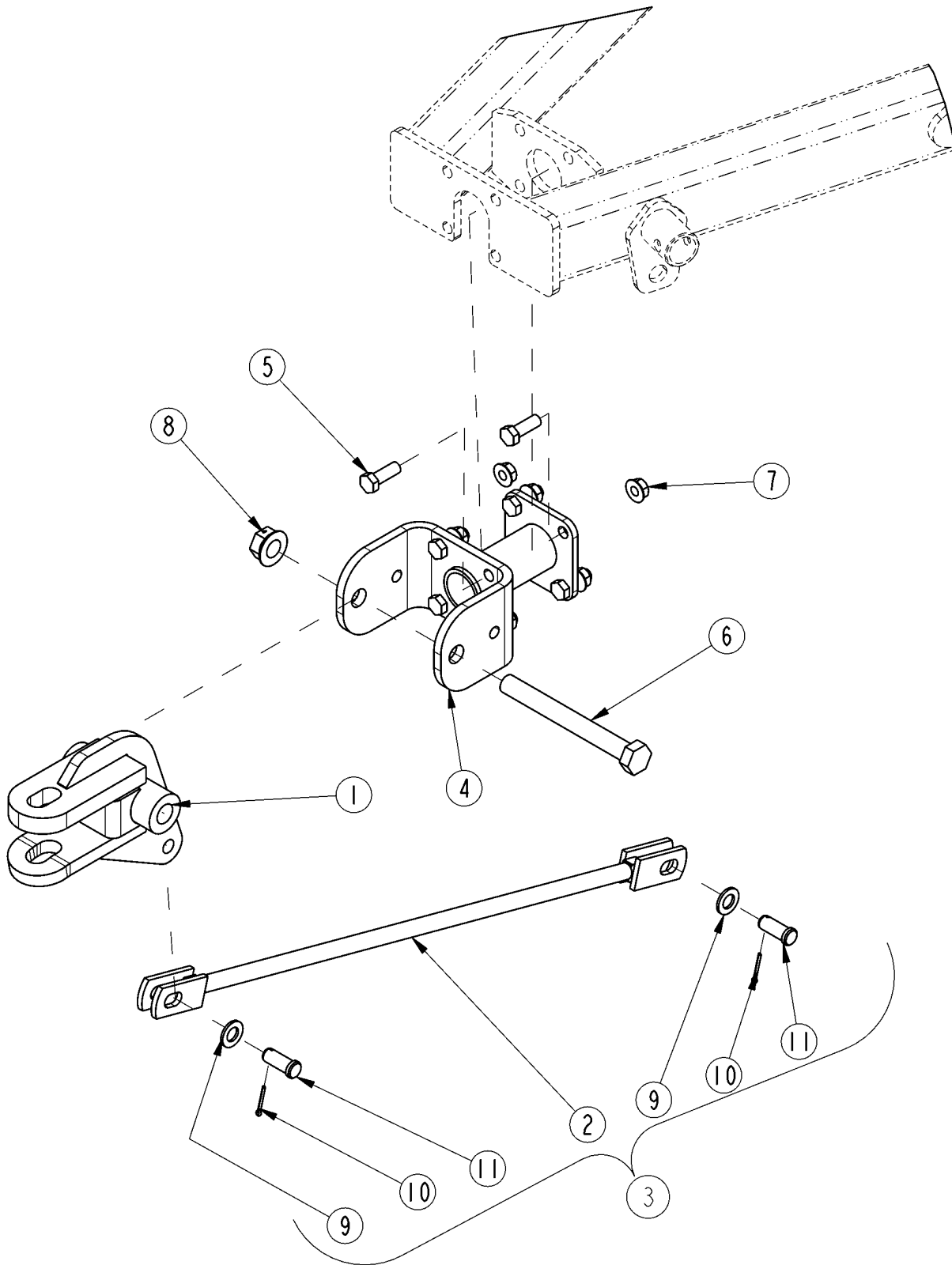
---

### **Applies to RC4620, RCM4620**

<b>Ref</b>	<b>Part No.</b>	<b>Part Description</b>	<b>Comments</b>	<b>Revision</b>
	Dwg 26570 330-334A	Drawing Image Number PINTLE HITCH *		
1.	318-006H	WLDMT. CLEVIS LEVEL ROD		
2.	318-053L	ASSY. LEVEL ROD CLEVIS		
3.	318-556H	WLDMT. PINTLE HITCH CLEVIS		
4.	330-223H	YOKE HITCH		
5.	802-053C	HHCS 5/8-11X1 3/4 GR5		
6.	802-877C	HHCS 1-8X9 GR8 SPTHD		
7.	802-729C	HFS 5/8-11X2 1/2 GR8 PLT		
8.	803-304C	NUT HEX WHIZ 5/8-11 PLT		
9.	803-258C	NUT HEX FLG LOCK 1-8 GR B PLT		
10.	803-304C	NUT HEX WHIZ 5/8-11 PLT		
11.	804-025C	WASHER FLAT 3/4 SAE PLT		
12.	805-045C	PIN COTTER 5/32 X 1 1/4 LG		
13.	805-083C	PIN CLEVIS 3/4 X 1 1/2		
14.	890-806C	PINTLE HOOK SQ.BASE BDB1250-15		

# Hitch Standard Pivoting Clevis

Applies to RC4620, RCM4620



26557

## ***Hitch Standard Pivoting Clevis***

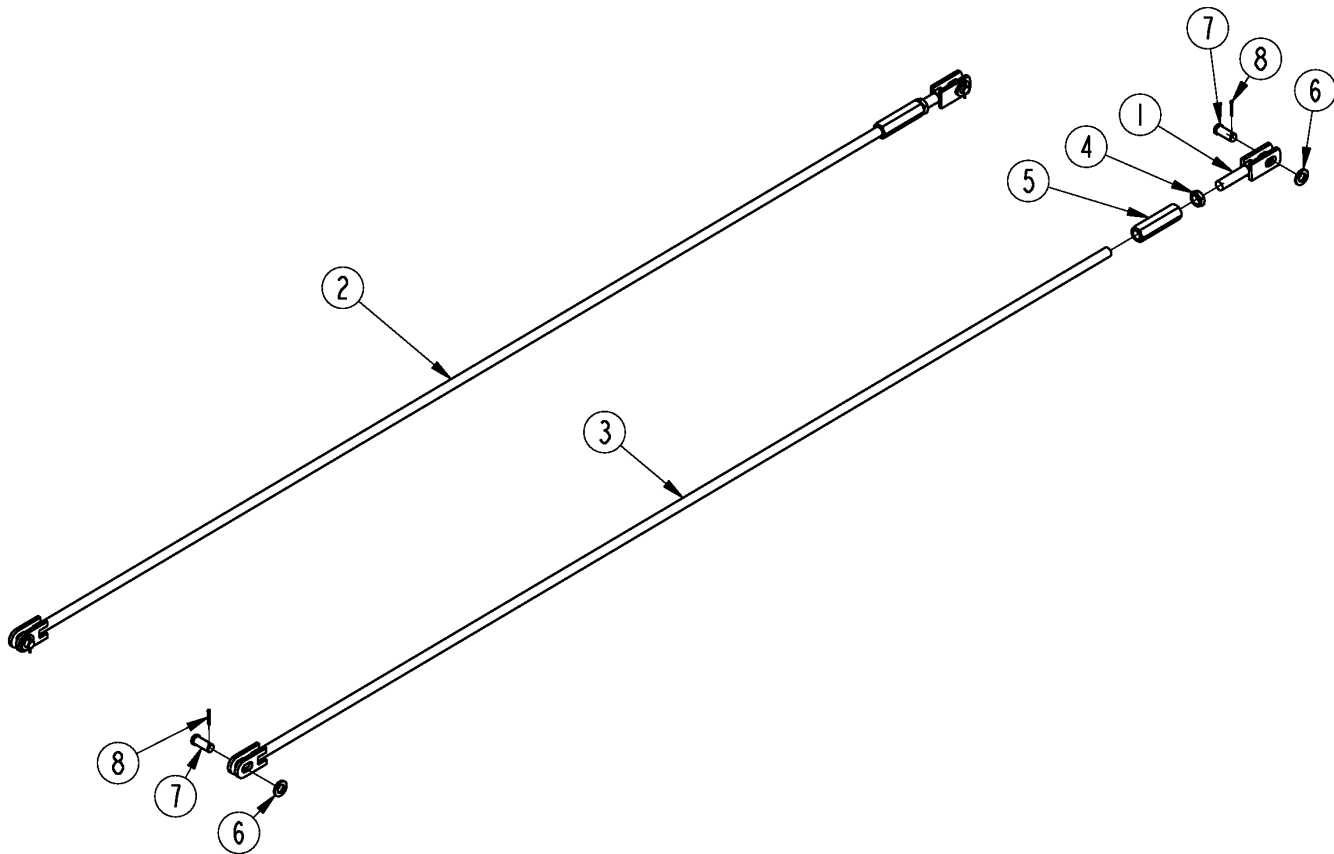
---

### **Applies to RC4620, RCM4620**

<b>Ref</b>	<b>Part No.</b>	<b>Part Description</b>	<b>Comments</b>	<b>Revision</b>
	Dwg 26557 330-225A	Drawing Image Number STANDARD HITCH *		
1.	318-005H	WLDMT. TONGUE CLEVIS		
2.	318-006H	WLDMT. CLEVIS LEVEL ROD		
3.	318-053L	ASSY. LEVEL ROD CLEVIS		
4.	330-223H	YOKE HITCH		
5.	802-053C	HHCS 5/8-11X1 3/4 GR5		
6.	802-877C	HHCS 1-8X9 GR8 SPTHD		
7.	803-304C	NUT HEX WHIZ 5/8-11 PLT		
8.	803-258C	NUT HEX FLG LOCK 1-8 GR B PLT		
9.	804-025C	WASHER FLAT 3/4 SAE PLT		
10.	805-045C	PIN COTTER 5/32 X 1 1/4 LG		
11.	805-083C	PIN CLEVIS 3/4 X 1 1/2		

# Leveling Rod

Applies to RC4620, RCM4620



39222

## ***Leveling Rod***

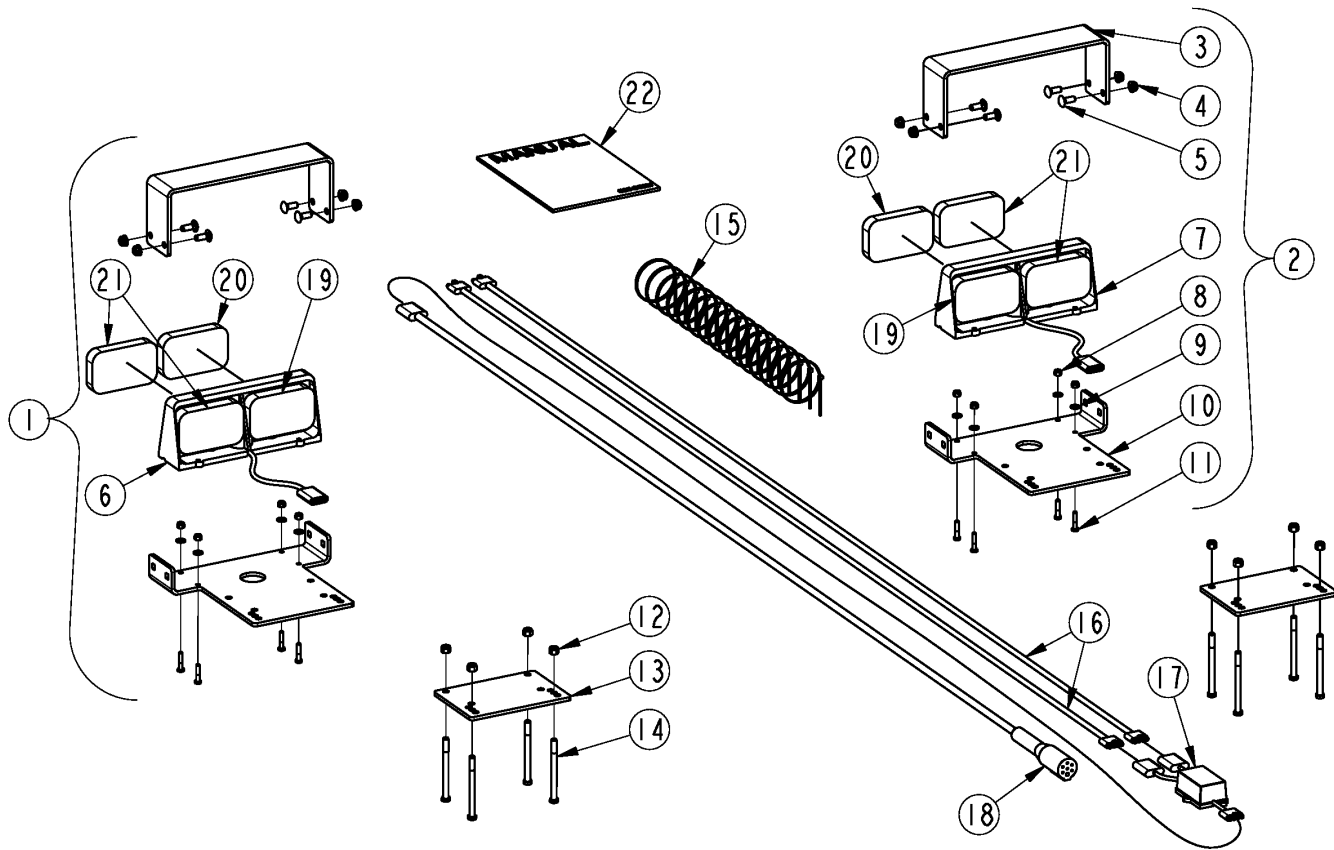
---

### **Applies to RC4620, RCM4620**

<b>Ref</b>	<b>Part No.</b>	<b>Part Description</b>	<b>Comments</b>	<b>Revision</b>
	Dwg 39222	Image No.		
1.	318-008H	WLDMT. LEVEL ROD SHORT		
2.	330-803K	LEVEL ROD ASSY		
3.	330-804H	LEVEL ROD LONG		
4.	803-075C	NUT HEX JAM 7/8-9		
5.	803-265C	NUT HEX COUPLER 7/8-9X5		
6.	804-025C	WASHER FLAT 3/4 SAE PLT		
7.	805-083C	PIN CLVS .75X1.50 USBL HT		
8.	805-109C	PIN COTTER 1/8 X 1 1/4 PLT		

# Lights 3.5 Inch (LED)

Applies to RC4620, RCM4620



37671

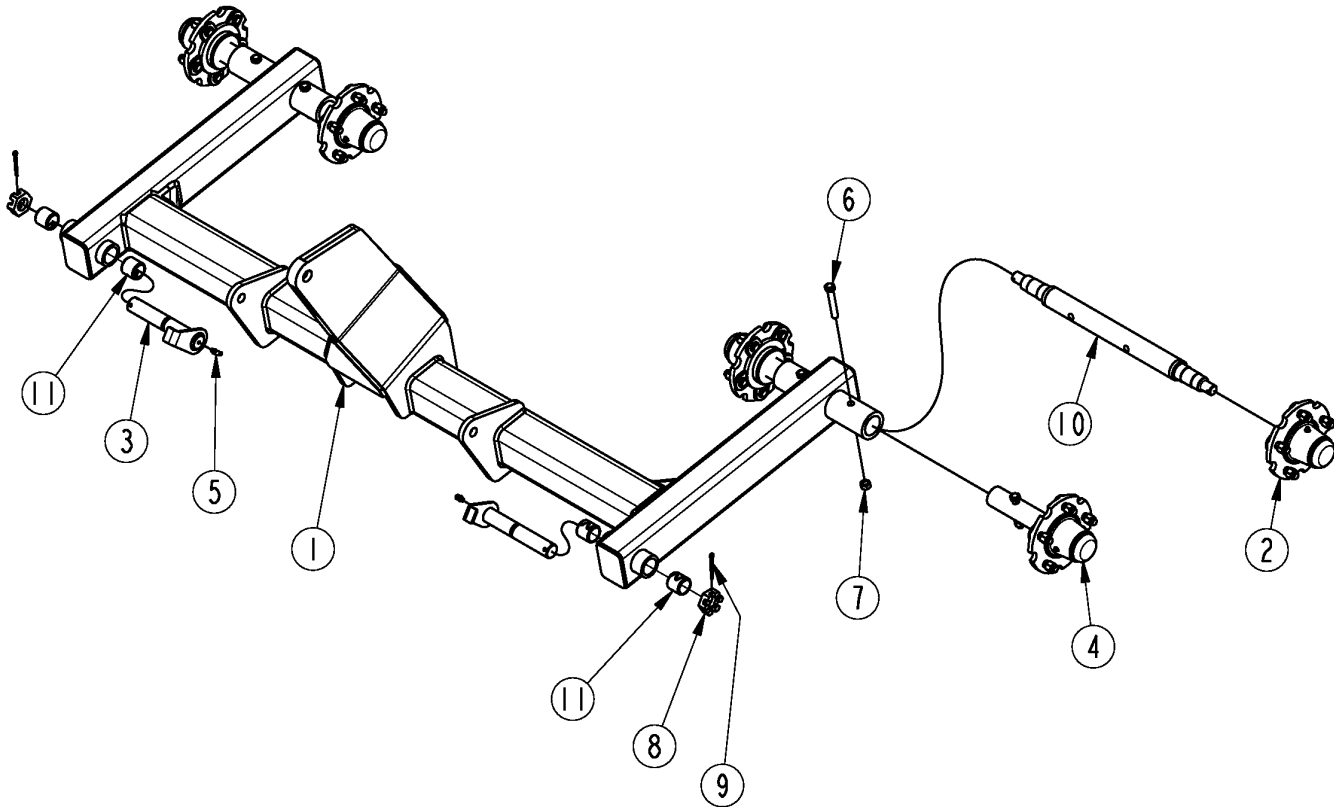
**Lights 3.5 Inch (LED)****Applies to RC4620, RCM4620**

<b>Ref</b>	<b>Part No.</b>	<b>Part Description</b>	<b>Comments</b>	<b>Revision</b>
	Dwg 37671 334-581A	Image No. FOLDING CUTTER LGHT KIT 3.5 LL *	S/N 1150617- Lights were optional	
1.	331-471S	RH LIGHT ASSY	Includes Items 3, 4, 5, 6, 8, 9, 10, & 11	
2.	331-472S	LH LIGHT ASSY	Includes Items 3, 4, 5, 7, 8, 9, 10, & 11	
3.	330-966D	LIGHT GUARD		
4.	803-209C	NUT FLANGE LOCK 3/8-16 PLT		
5.	802-015C	RHSNB 3/8-16X1 GR5		
6.	891-523C	DUAL LED LIGHT RH	Includes items 19, 20, & 21	
7.	891-522C	DUAL LED LIGHT LH	Includes items 19, 20, & 21	
8.	803-255C	NUT HEX NYLOCK 1/4-20		
9.	804-007C	WASHER FLAT 1/4 SAE PLT		
10.	330-965D	LIGHT MNT		
11.	802-224C	HHCS 1/4-20X1 1/4 GR5		
12.	803-078C	NUT LOCK 3/8-16 NYLON INSERT		
13.	330-967D	LIGHT MNT CLAMP		
14.	802-318C	HHCS 3/8-16X5 GR5	S/N 1058900+	
14.	802-027C	HHCS 3/8-16X4 1/2 GR5	S/N 1058899-	
15.	800-060C	CABLE TIE .19X14.25 3DIA 50LB		
16.	891-529C	LIGHT WIRE HARNESS 8'		
17.	891-531C	ENHANCE MODULE		
18.	891-533C	LEAD WIRE HARNESS 13'		
19.	J-AC1-15-B	BLACK LENS COVER	Black lens	
20.	J-37-R	RED LED LENS MODULE	Red lens	
21.	J-37-A	AMBER LED LENS MODULE	Amber lens	
22.	334-574M	ROTARY CUTTER LIGHT KIT MANUAL		



# Axle Center

Applies to RC4620, RCM4620



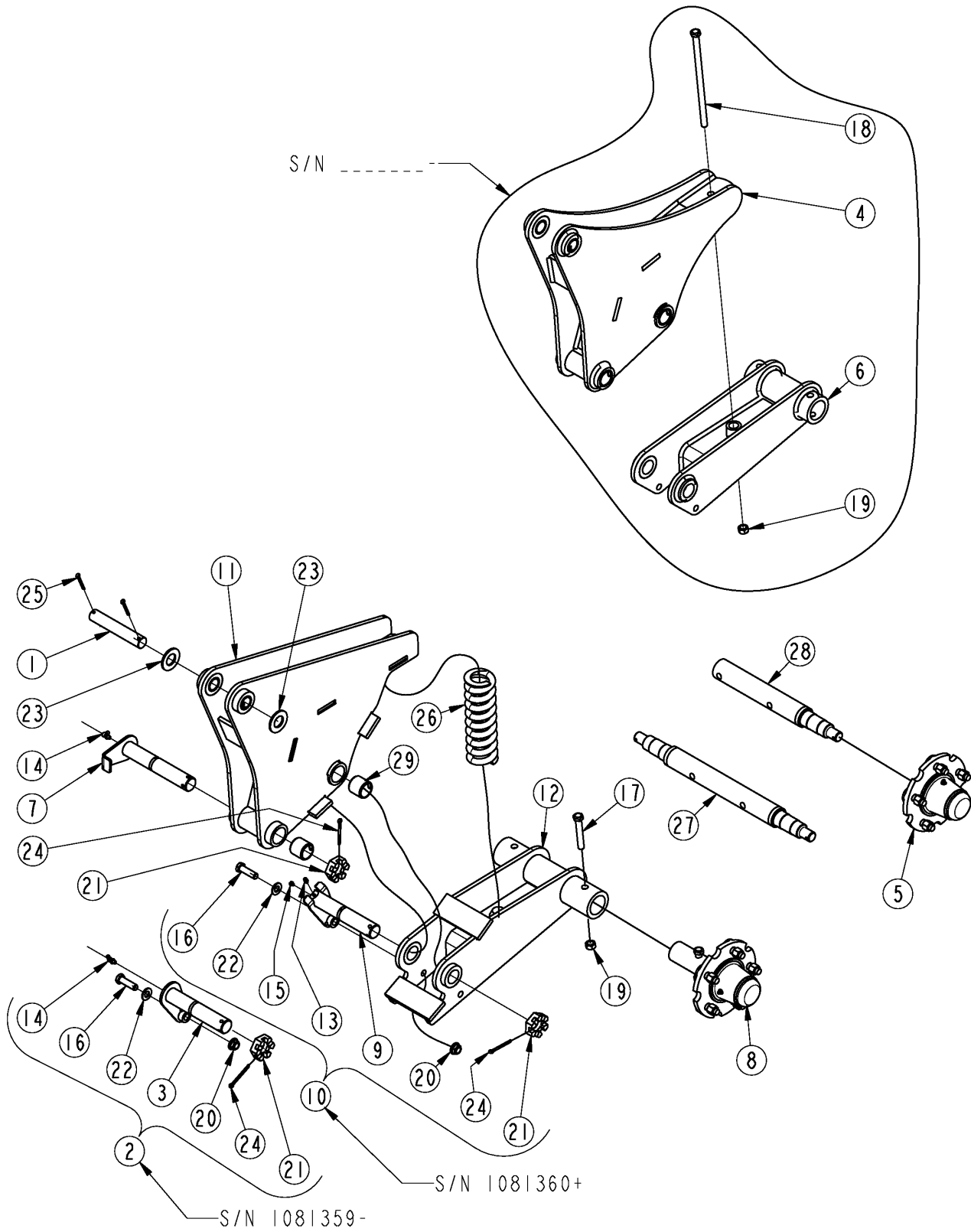
39223

**Axle Center****Applies to RC4620, RCM4620**

<b>Ref</b>	<b>Part No.</b>	<b>Part Description</b>	<b>Comments</b>	<b>Revision</b>
	Dwg 39223	Image No.		
1.	330-763H	AXLE CENTER		
2.	330-938K	HUB 5 BOLT COMPLETE	S/N _____ -	
3.	331-168H	PIVOT PIN TRAILING ARM		
4.	334-566S	SPINDLE AND HUB ASSY	S/N _____ +	
5.	800-073C	GREASE ZERK 1/4-28 X 90-DEG		
6.	802-099C	HHCS 1/2-13X3 1/4 GR5		
7.	803-019C	NUT LOCK 1/2-13 PLT		
8.	803-381C	NUT HEX JAM SLOTTED 1 1/4-7		
9.	805-058C	PIN COTTER 3/16 X 2		
10.	815-383C	DUAL AXLE SPINDLE	S/N _____ -	
11.	891-177C	BHG 1.50ODX1.25X1.38		

# Axle Wing

Applies to RC4620, RCM4620



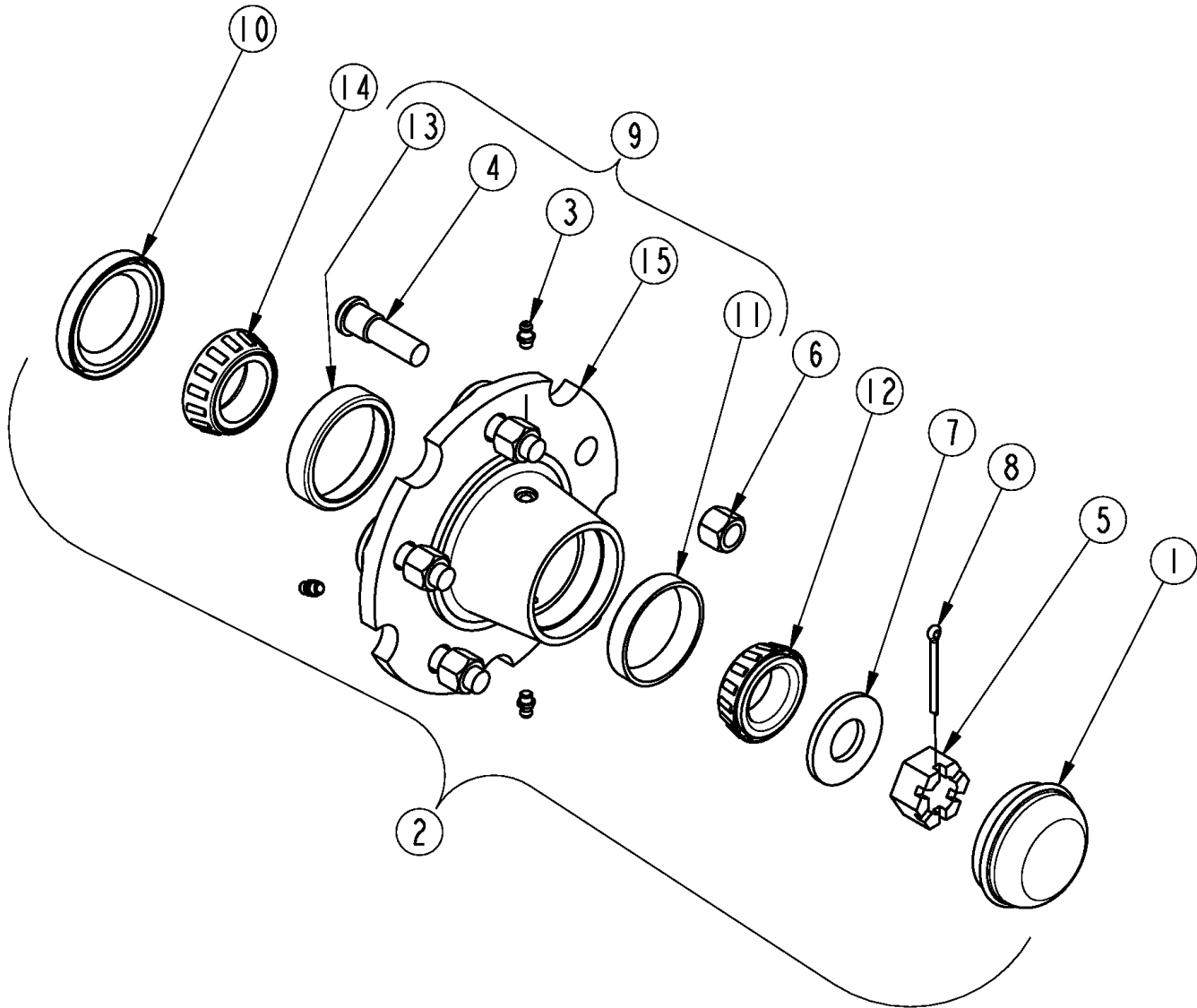
39224

**Axle Wing****Applies to RC4620, RCM4620**

Ref	Part No.	Part Description	Comments	Revision
	Dwg 39224	Image No.		
1.	330-567D	PIN 1 OD X 5.13 USABLE		
2.	330-615S	ASY PIVOT PIN TANDEM ARM	S/N 1081359-	
3.	330-616H	PIVOT PIN TANDEM ARM	S/N 1081359-	
4.	330-794H	WING AXLE RH	S/N _____-	
5.	330-938K	HUB 5 BOLT COMPLETE	S/N _____-	
6.	330-969H	TRAILING ARM WING	S/N _____-	
7.	331-168H	PIVOT PIN TRAILING ARM		
8.	331-496S	SHORT SPINDLE AND HUB ASY	S/N _____+	
9.	334-465H	WALKING TANDEM PIVOT PIN	S/N 1081360+	
10.	334-467S	WALKING TANDEM PIV PIN ASY	S/N 1081360+	
11.	334-593H	WING AXLE	S/N _____+	
12.	334-594H	TRAILING ARM WING	S/N _____+	
13.	800-001C	GREASE ZERK STRAIGHT 1/4-28	S/N 1081360+	
14.	800-073C	GREASE ZERK 1/4-28 X 90-DEG		
15.	801-229C	SCREW SLOTTED HEX 1/4-28X3/16	S/N 1081360+	
16.	802-082C	HHCS 1/2-13X1 3/4 GR5		
17.	802-099C	HHCS 1/2-13X3 1/4 GR5		
18.	802-416C	HHCS 1/2-13X10 GR5		
19.	803-019C	NUT LOCK 1/2-13 PLT		
20.	803-169C	NUT HEX FLG LOCK 1/2-13 PLT	S/N _____-	
21.	803-381C	NUT HEX JAM SLOTTED 1 1/4-7		
22.	804-016C	WASHER FLAT 1/2 SAE PLT		
23.	804-029C	WASHER FLAT 1 SAE		
24.	805-058C	PIN COTTER 3/16 X 2		
25.	805-104C	PIN COTTER 3/16 X 1 1/2 PLT		
26.	807-372C	SPRING COMP 2.62OD .531W 8.5L	S/N 1090040+	
26.	N/A	SPRING COMP 2.5OD .5W 8.5L	S/N 1090039- RPB 807-372C	
27.	815-381C	DUAL AXLE SPINDLE	S/N _____-	
28.	815-387C	SINGLE AXLE SPINDLE	S/N _____-	
29.	891-177C	BHG 1.50ODX1.25X1.38		

# Hub Assembly (330-938K)

Applies to RC4620, RCM4620



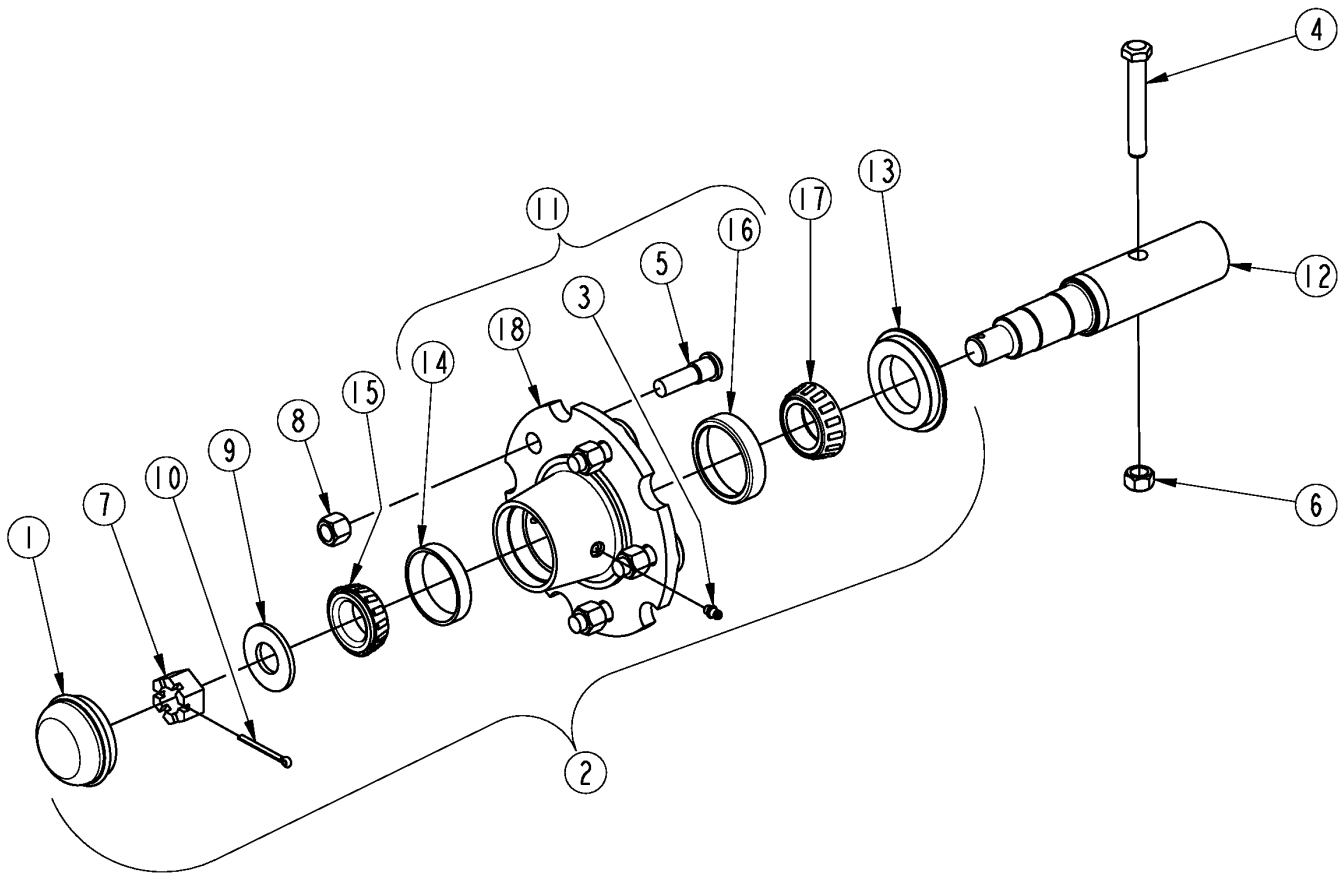
37676

**Hub Assembly (330-938K)****Applies to RC4620, RCM4620**

<b>Ref</b>	<b>Part No.</b>	<b>Part Description</b>	<b>Comments</b>	<b>Revision</b>
	Dwg 37676 330-938K	Image No. HUB 5 BOLT COMPLETE *		
1.	200-001D	HUB GREASE CAP		
2.	330-938K	HUB 5 BOLT COMPLETE		
3.	800-080C	GREASE ZERK 1/4-28 THD FORMING		
4.	802-779C	HUB STUD 1/2-20X1.88 GR5		
5.	803-029C	NUT HEX SLOTTED 7/8-14 PLT		
6.	803-310C	NUT HEX 1/2-20 X 5/8 HIGH		
7.	804-055C	WASHER SPINDLE - 7/8		
8.	805-246C	PIN COTTER 5/32 X 1 3/4 LG		
9.	815-243C	HUB 5-BOLT W/CUPS/STUDS		
10.	816-497C	SEAL 1.75ID CR17617		
11.	822-020C	BRG CUP LM-67010		
12.	822-021C	BRG CONE 1.25ID LM-67048		
13.	822-033C	BRG CUP LM-48510		
14.	822-034C	BRG CONE LM-48548		
15.	815-242C	HUB 5-BOLT CASTING		

# Spindle & Hub Assembly (331-496S)

Applies to RC4620, RCM4620



70721

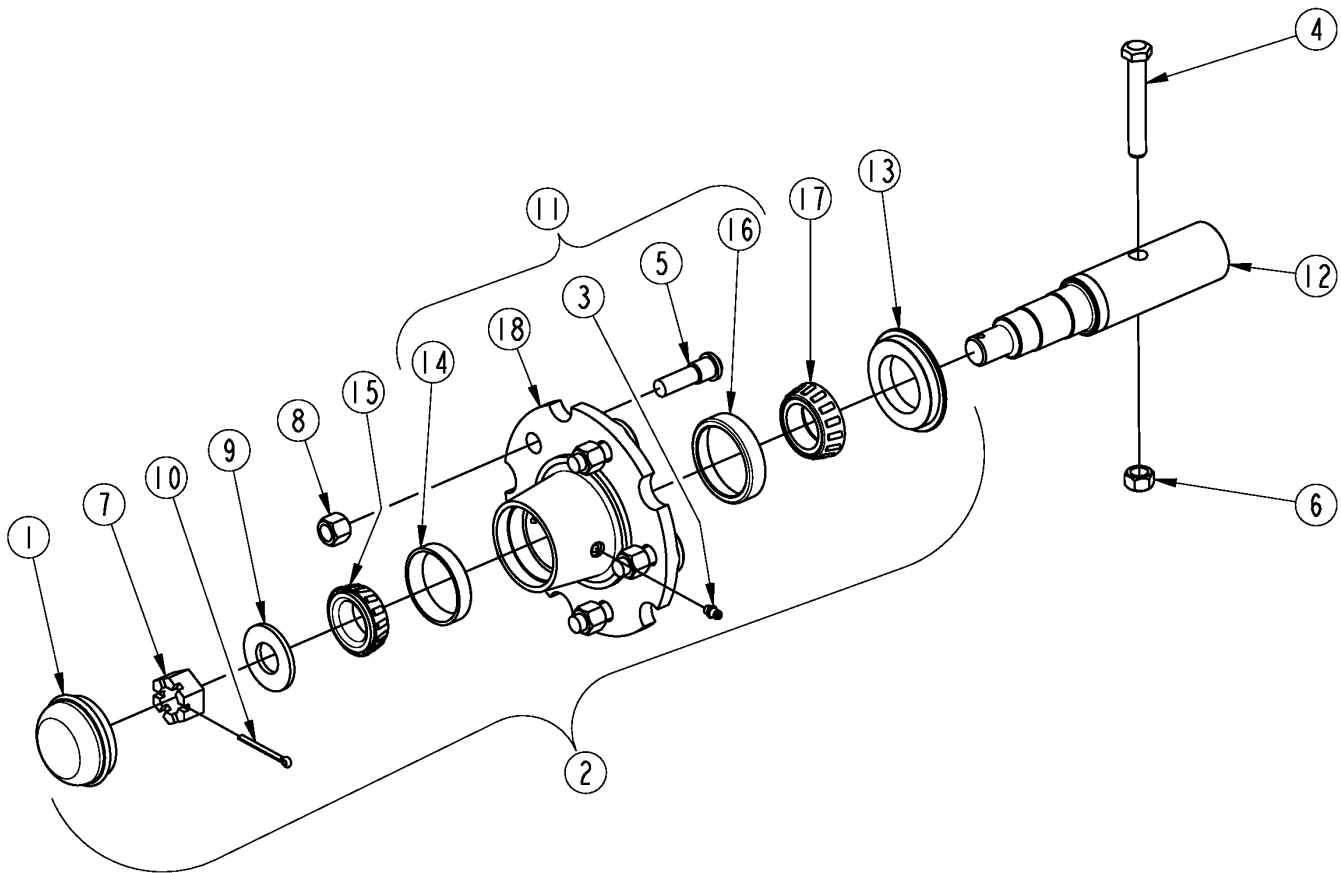


**Spindle & Hub Assembly (331-496S)****Applies to RC4620, RCM4620**

<b>Ref</b>	<b>Part No.</b>	<b>Part Description</b>	<b>Comments</b>	<b>Revision</b>
	Dwg 70721 331-496S	Image No. SHORT SPINDLE AND HUB ASY *		
1.	200-001D	HUB GREASE CAP		
2.	334-565V	HUB 5 BOLT COMPLETE		
3.	800-080C	GREASE ZERK 1/4-28 THD FORMING		
4.	802-099C	HHCS 1/2-13X3 1/4 GR5		
5.	802-779C	HUB STUD 1/2-20X1.88 GR5		
6.	803-019C	NUT LOCK 1/2-13 PLT		
7.	803-029C	NUT HEX SLOTTED 7/8-14 PLT		
8.	803-310C	NUT HEX 1/2-20 X 5/8 HIGH		
9.	804-055C	WASHER SPINDLE - 7/8		
10.	805-246C	PIN COTTER 5/32 X 1 3/4 LG		
11.	815-243C	HUB 5-BOLT W/CUPS/STUDS		
12.	815-509C	SINGLE AXLE SPINDLE, SHORT		
13.	816-835C	HD PURGEABLE SEAL 1.75X2.71		
14.	822-020C	BRG CUP LM-67010		
15.	822-021C	BRG CONE 1.25ID LM-67048		
16.	822-033C	BRG CUP LM-48510		
17.	822-034C	BRG CONE LM-48548		
18.	815-242C	HUB 5-BOLT CASTING		

# Spindle & Hub Assembly (334-566S)

Applies to RC4620, RCM4620



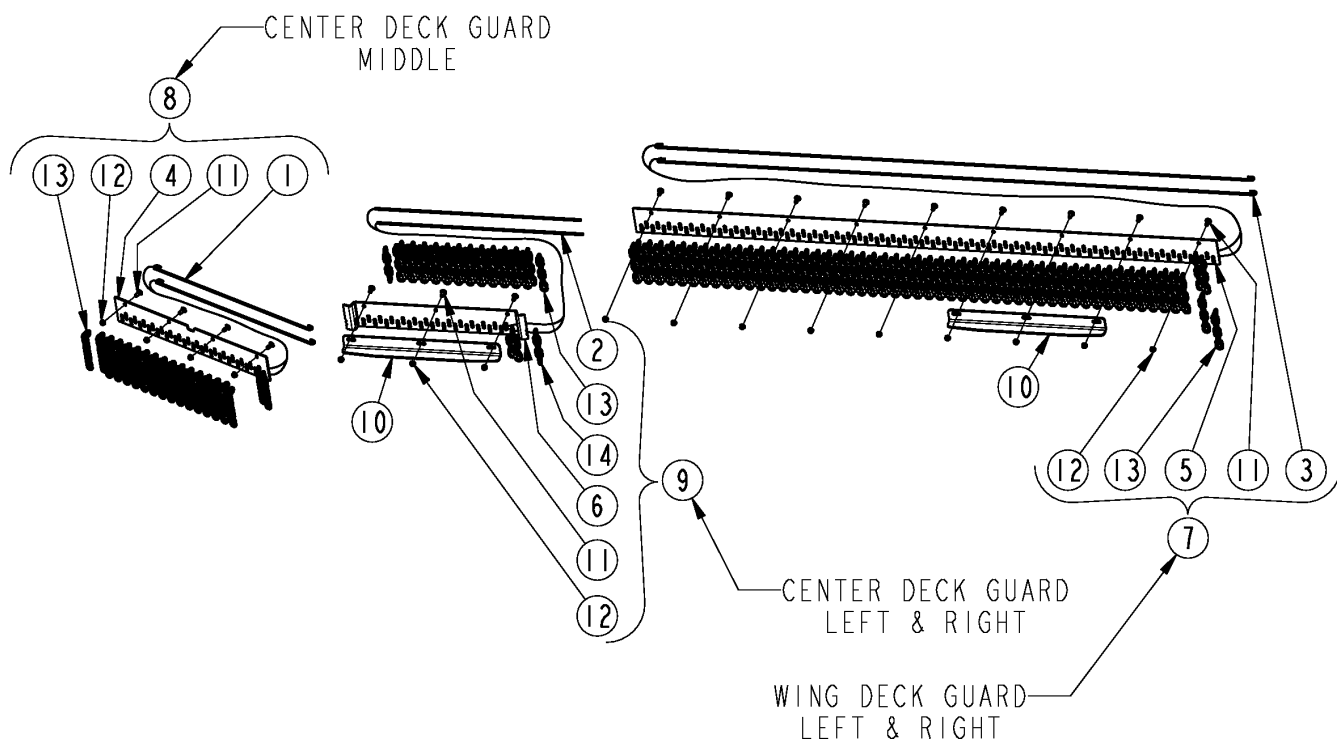
70721

**Spindle & Hub Assembly (334-566S)****Applies to RC4620, RCM4620**

<b>Ref</b>	<b>Part No.</b>	<b>Part Description</b>	<b>Comments</b>	<b>Revision</b>
	Dwg 70721 334-566S	Image No. SPINDLE AND HUB ASSY *		
1.	200-001D	HUB GREASE CAP		
2.	334-565V	HUB 5 BOLT COMPLETE		
3.	800-080C	GREASE ZERK 1/4-28 THD FORMING		
4.	802-099C	HHCS 1/2-13X3 1/4 GR5		
5.	802-779C	HUB STUD 1/2-20X1.88 GR5		
6.	803-019C	NUT LOCK 1/2-13 PLT		
7.	803-029C	NUT HEX SLOTTED 7/8-14 PLT		
8.	803-310C	NUT HEX 1/2-20 X 5/8 HIGH		
9.	804-055C	WASHER SPINDLE - 7/8		
10.	805-246C	PIN COTTER 5/32 X 1 3/4 LG		
11.	815-243C	HUB 5-BOLT W/CUPS/STUDS		
12.	815-491C	SINGLE AXLE SPINDLE, WING		
13.	816-835C	HD PURGEABLE SEAL 1.75X2.71		
14.	822-020C	BRG CUP LM-67010		
15.	822-021C	BRG CONE 1.25ID LM-67048		
16.	822-033C	BRG CUP LM-48510		
17.	822-034C	BRG CONE LM-48548		
18.	815-242C	HUB 5-BOLT CASTING		

# Guards Chain Double Row Front

Applies to RC4620, RCM4620



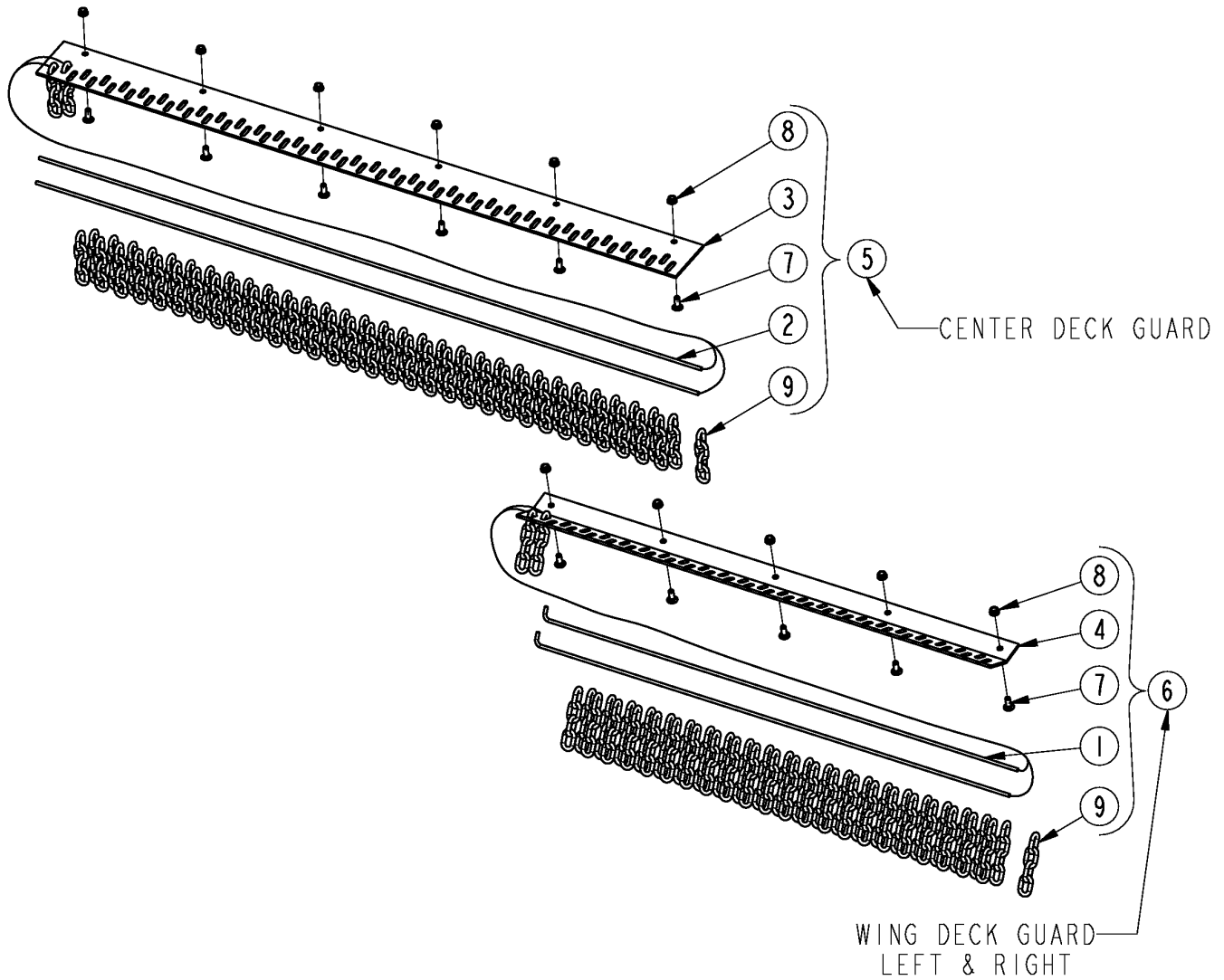
39228

**Guards Chain Double Row Front****Applies to RC4620, RCM4620**

<b>Ref</b>	<b>Part No.</b>	<b>Part Description</b>	<b>Comments</b>	<b>Revision</b>
	Dwg 39228	Image No.		
	331-833A	CHNGRD FRONT DOUBLE		
	*			
1.	316-096D	CHAIN HANGER ROD - 32 1/2 LG		
2.	318-107D	ROUND ROD 1/4 X 31 1/2		
3.	318-476D	ROUND ROD .25 X 94		
4.	330-445D	CHNGRD, FRT DBL CNTR		
5.	330-446D	CHNGRD, FRT DBL WING		
6.	330-448D	CHNGRD FRT DBL CTR OU		
7.	330-882K	ASSY CHNGRD WG FRT DBL		
8.	330-884K	ASSY CHNGRD CTR FRT DBL		
9.	330-885K	ASSY CHNGRD OTR FRT DBL		
10.	331-332D	GUARD EXTENSION		
11.	802-015C	RHSNB 3/8-16X1 GR5		
12.	803-198C	NUT HEX WHIZ 3/8-16 PLT		
13.	890-175C	CHAIN 5/16 GR 43 X 6 LINKS PLT		
14.	890-341C	CHAIN WELD 5/16 GR 43 X 5 LINK		

# Guards Chain Double Row Rear

Applies to RC4620, RCM4620



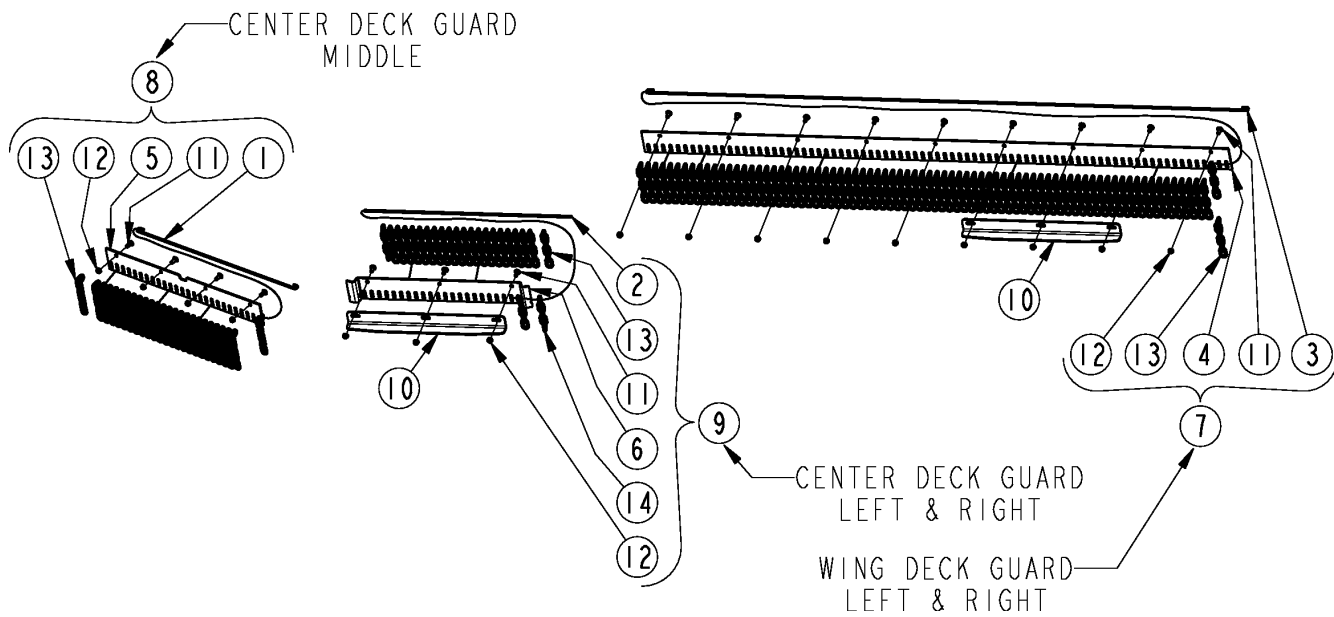
39231

**Guards Chain Double Row Rear****Applies to RC4620, RCM4620**

<b>Ref</b>	<b>Part No.</b>	<b>Part Description</b>	<b>Comments</b>	<b>Revision</b>
	Dwg 39231	Image No.		
	330-820A	CHNGRD REAR DOUBLE		
	*			
1.	312-737D	ROD 1/4 X 44 PLTD.		
2.	312-942D	RPBY 318-478D		
2.	318-478D	ROUND ROD .25 X 59		
3.	330-447D	CHNGRD, REAR DBL CTR		
4.	330-449D	CHNGRD, WING DBL REAR		
5.	330-886K	ASSY CHNGRD CTR REAR DBL		
6.	330-887K	ASSY CHNGRD WG REAR DBL		
7.	802-015C	RHSNB 3/8-16X1 GR5		
8.	803-198C	NUT HEX WHIZ 3/8-16 PLT		
9.	890-400C	CHAIN WELD 5/16 GR 43 X 4 LINK		

# Guards Chain Single Row Front

Applies to RC4620, RCM4620



39225

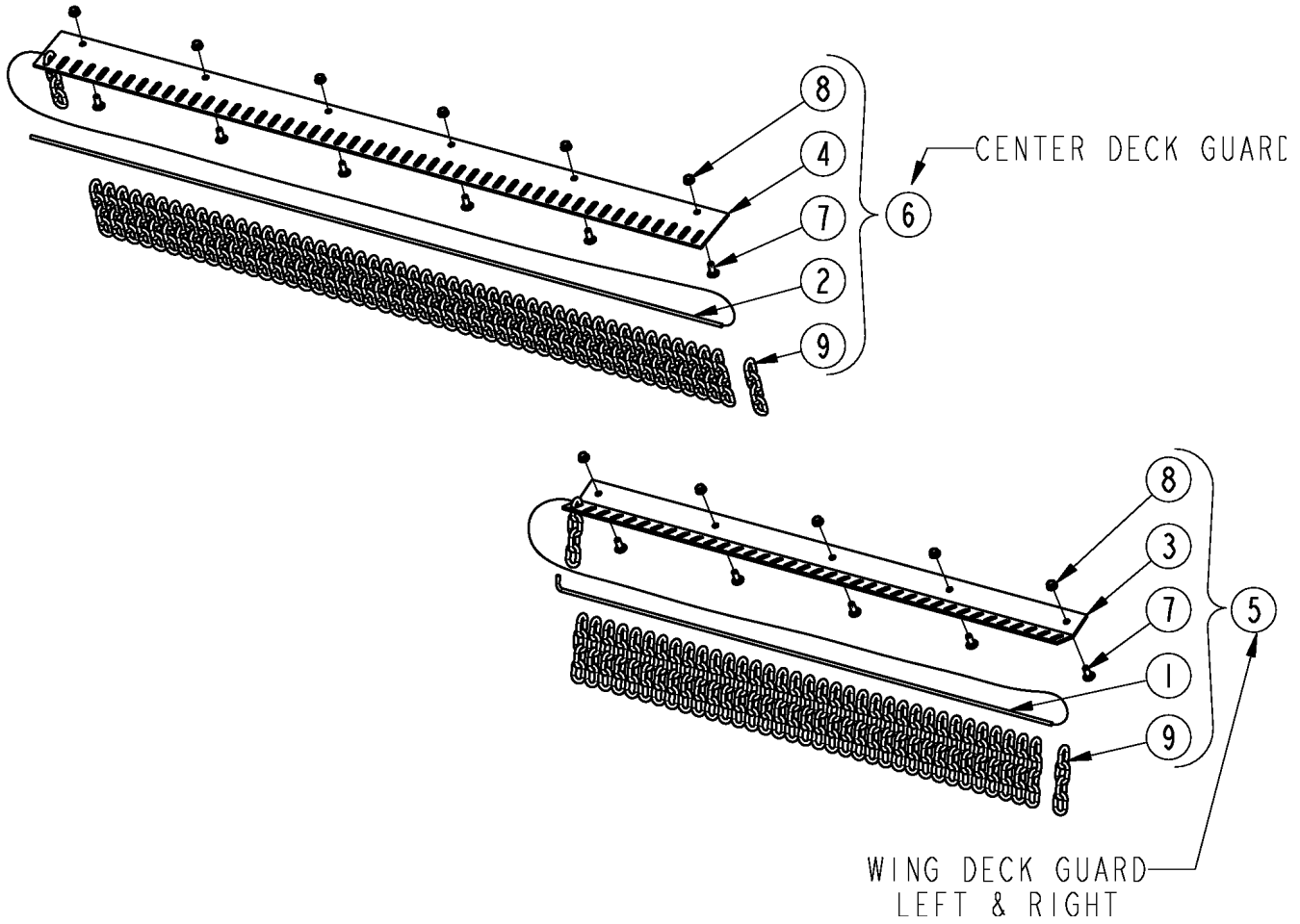


**Guards Chain Single Row Front****Applies to RC4620, RCM4620**

<b>Ref</b>	<b>Part No.</b>	<b>Part Description</b>	<b>Comments</b>	<b>Revision</b>
	Dwg 39225 331-812A *	Image No. CHNGRD FRONT SINGLE		
1.	316-096D	CHAIN HANGER ROD - 32 1/2 LG		
2.	318-107D	ROUND ROD 1/4 X 31 1/2		
3.	318-476D	ROUND ROD .25 X 94		
4.	330-428D	CHNGRD, FRT SGL WING		
5.	330-431D	CHNGRD, FRT SGL CNTR		
6.	330-432D	CHNGRD FRT SGL CTR OU		
7.	330-810K	ASSY CHNGRD WG FRT SGL		
8.	330-813K	ASSY CHNGRD CTR FRT SGL		
9.	330-814K	ASSY CHNGRD OTR FRT SGL		
10.	331-332D	GUARD EXTENSION		
11.	802-015C	RHSNB 3/8-16X1 GR5		
12.	803-198C	NUT HEX WHIZ 3/8-16 PLT		
13.	890-175C	CHAIN 5/16 GR 43 X 6 LINKS PLT		
14.	890-341C	CHAIN WELD 5/16 GR 43 X 5 LINK		

# Guards Chain Single Row Rear

Applies to RC4620, RCM4620



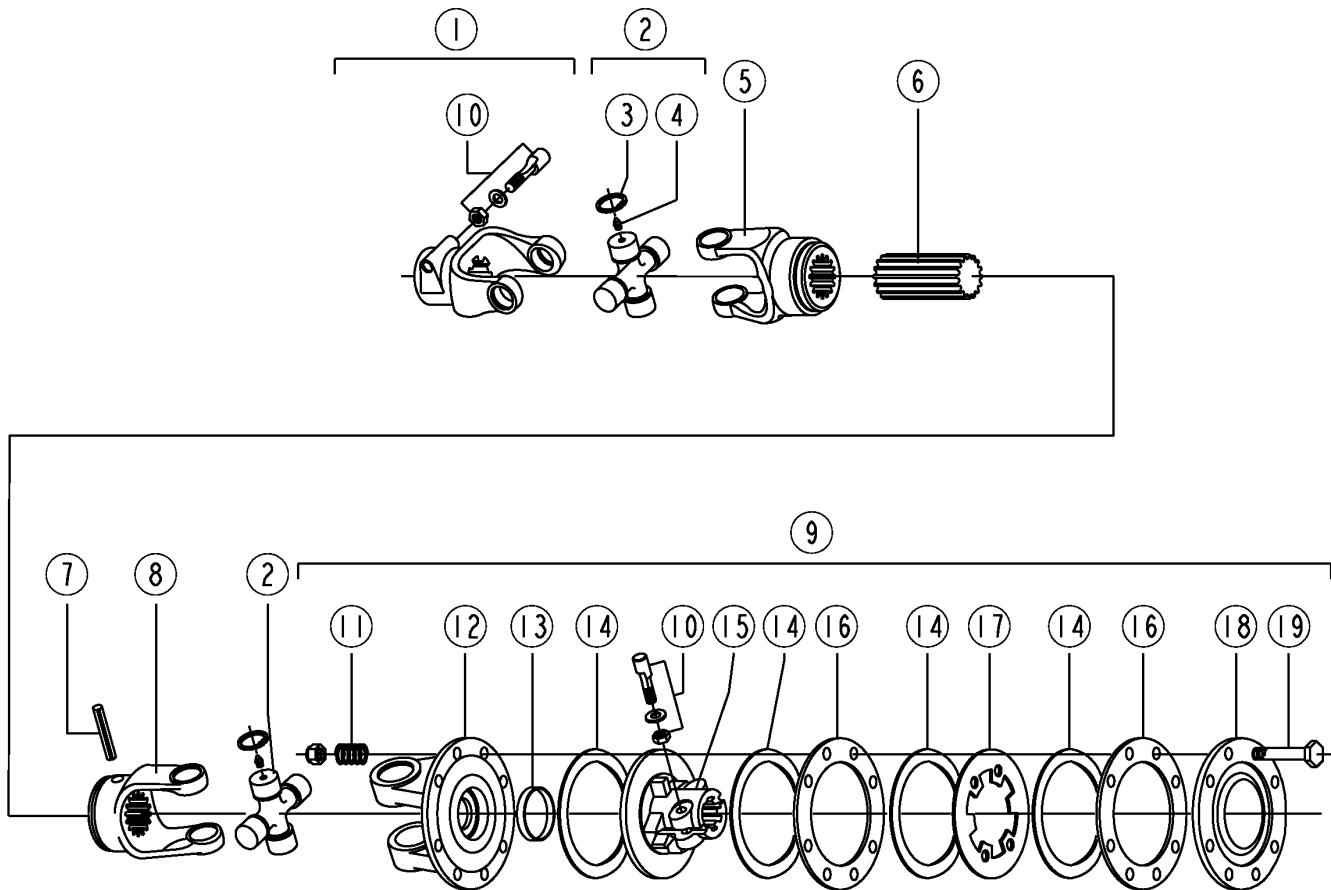
39230

**Guards Chain Single Row Rear****Applies to RC4620, RCM4620**

<b>Ref</b>	<b>Part No.</b>	<b>Part Description</b>	<b>Comments</b>	<b>Revision</b>
	Dwg 39230	Image No.		
	330-819A	CHNGRD REAR SINGLE		
	*			
1.	312-737D	ROD 1/4 X 44 PLTD.		
2.	312-942D	RPBY 318-478D		
2.	318-478D	ROUND ROD .25 X 59		
3.	330-430D	CHNGRD, WING SGL REAR		
4.	330-434D	CHNGRD, REAR SGL CTR		
5.	330-812K	ASSY CHNGRD WG REAR SGL		
6.	330-815K	ASSY CHNGRD CTR REAR SGL		
7.	802-015C	RHSNB 3/8-16X1 GR5		
8.	803-198C	NUT HEX WHIZ 3/8-16 PLT		
9.	890-400C	CHAIN WELD 5/16 GR 43 X 4 LINK		

# Driveline Center (826-820C) Comer

Applies to RC4620, RCM4620



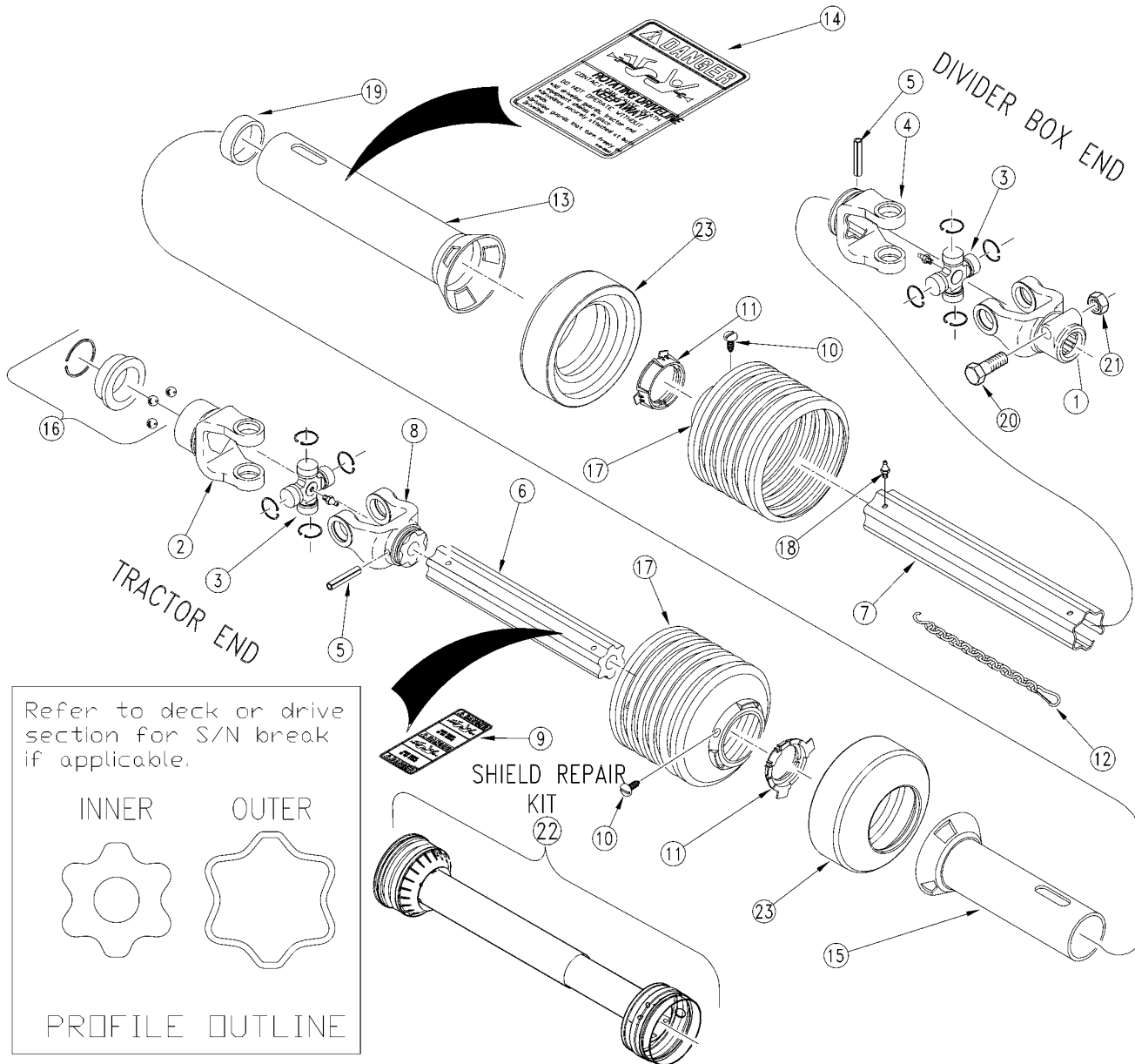
37508

**Driveline Center (826-820C) Comer****Applies to RC4620, RCM4620**

<b>Ref</b>	<b>Part No.</b>	<b>Part Description</b>	<b>Comments</b>	<b>Revision</b>
	Dwg 37508	Image No.		
	826-820C	PTO E60 X 27.44 1280NM CLUTCH		
1.	141.026.357.1	COMER YOKE COMPLETE		
2.	180.016.780	CO CROSS JOURNAL SET		
3.	190.000.032	CO CIRCLIP		
4.	190.000.047	CO GREASE NIPPLE		
5.	170.016.630.1	COMER YOKE, OUTER		
6.	155.150.726	COMER SHAFT, SPLINED		
7.	190.000.016	COMER ROLL PIN, INNER TUBE		
8.	151.016.896.1	CO INNER YOKE		
9.	146.264.024.1	COMER CLUTCH, COMPLETE ASSY		
10.	165.000.589	COMER TAPERED PIN SET 1 3/4		
11.	180.014.022	COMER SPRING		
12.	151.016.037.1	COMER YOKE, FLANGED		
13.	180.019.019	COMER BUSH		
14.	180.019.340	COMER LINING RING		
15.	151.018.228.1	COMER CLUTCH SUPPORT		
16.	180.019.014	COMER INNER PLATE		
17.	180.019.115	COMER INTERMEDIATE PLATE		
18.	180.019.116.1	COMER PRESSURE PLATE		
19.	165.000.548	COMER BOLT WITH NUT M10X100		

# Driveline Conv. 1000 RPM (826-247C) Walterscheid

Applies to RCM4620

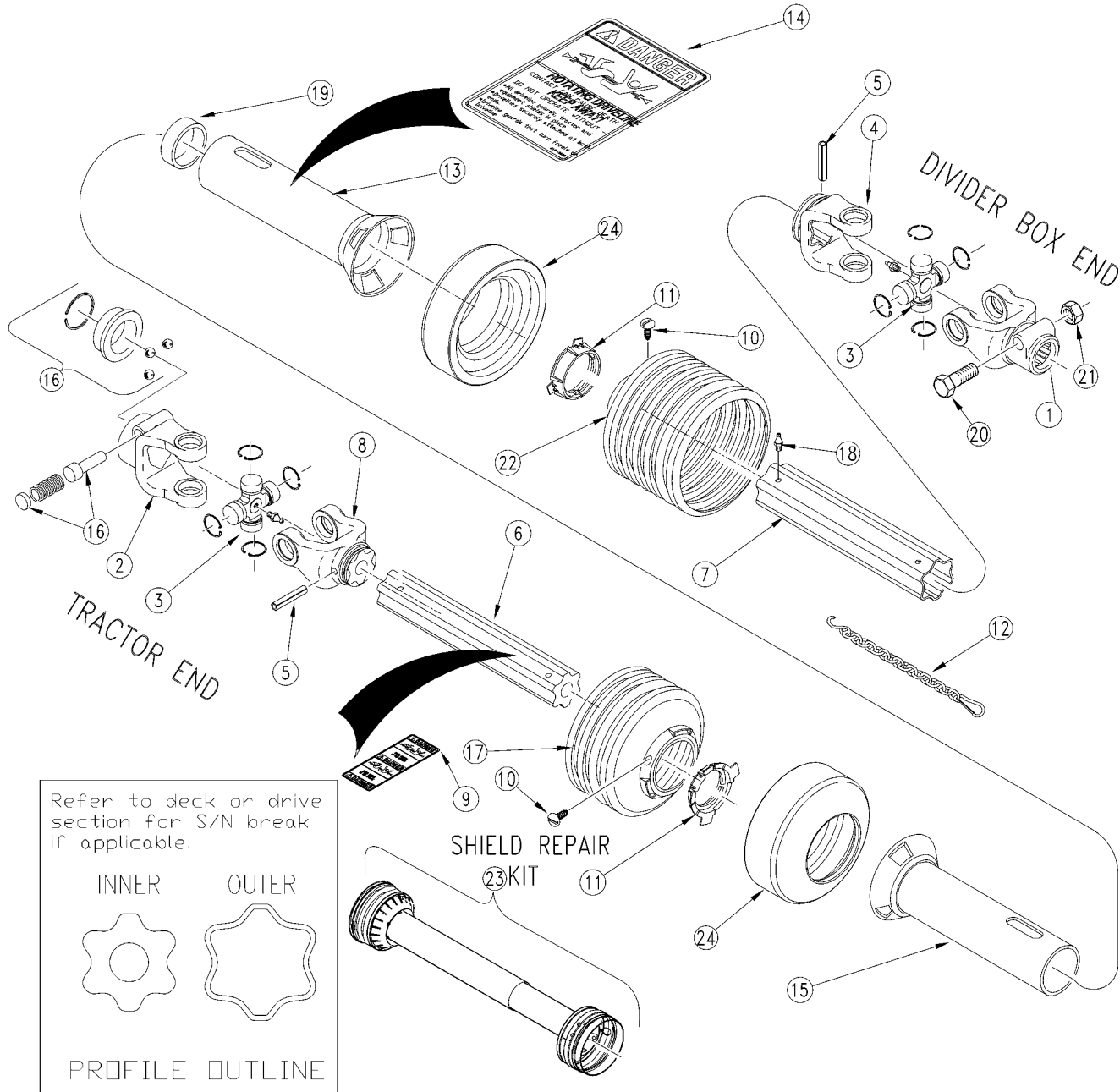


***Driveline Conv. 1000 RPM (826-247C) Walterscheid*****Applies to RCM4620**

<b>Ref</b>	<b>Part No.</b>	<b>Part Description</b>	<b>Comments</b>	<b>Revision</b>
	Dwg 18549 826-247C	Drawing Image Number PTO 2500 CAT.5 1000 1 3/8-21 *		
1.	325027	WS YOKE 1 3/4-20 SPL.I.C. 2500		
2.	362430	WS YOKE 1 3/8-21 SPL. AS		
3.	312209	WS CROSS & BEARING KIT 2500		
4.	097140	WS INBOARD YOKE 2500		
5.	304046	WS SPRING PIN 10 X 90		
6.	333645	WS INNER PROFILE S4		
7.	387768	WS PROFILE & SLEEVE W.A.		
8.	097133	WS INBOARD YOKE 2400		
9.	818-540C	DECAL DANGER GUARD MISS PTO		
10.	365305	WALTERSCHEID SCREW		
11.	087276	WS BEARING RING - SC25		
12.	044321	WALTERSCHEID SAFETY CHAIN	(S/N 928934-)	
13.	391409	WS OUTER SHIELD TUBE OVAL		
14.	818-552C	DECAL DANGER PTO DRIVELINE		
15.	391410	WS INNER SHIELD TUBE RND.		
16.	364915	WS ASSY COLLAR KIT		
17.	377437	WS SHIELD CONE 7 RIB		
18.	380371	WS ZERK		
19.	355155	WS SUPPORT BEARING		
20.	702352	WS HEX BOLT M16 X 90 GR 8.8		
21.	304011	WS LOCK NUT M16		
22.	826-603C	SHIELD KIT, 826-247C		
23.	359474	WS REINFORCING COLLAR		

# Driveline Conv. 540 RPM (826-112C) Walterscheid

Applies to RC4620



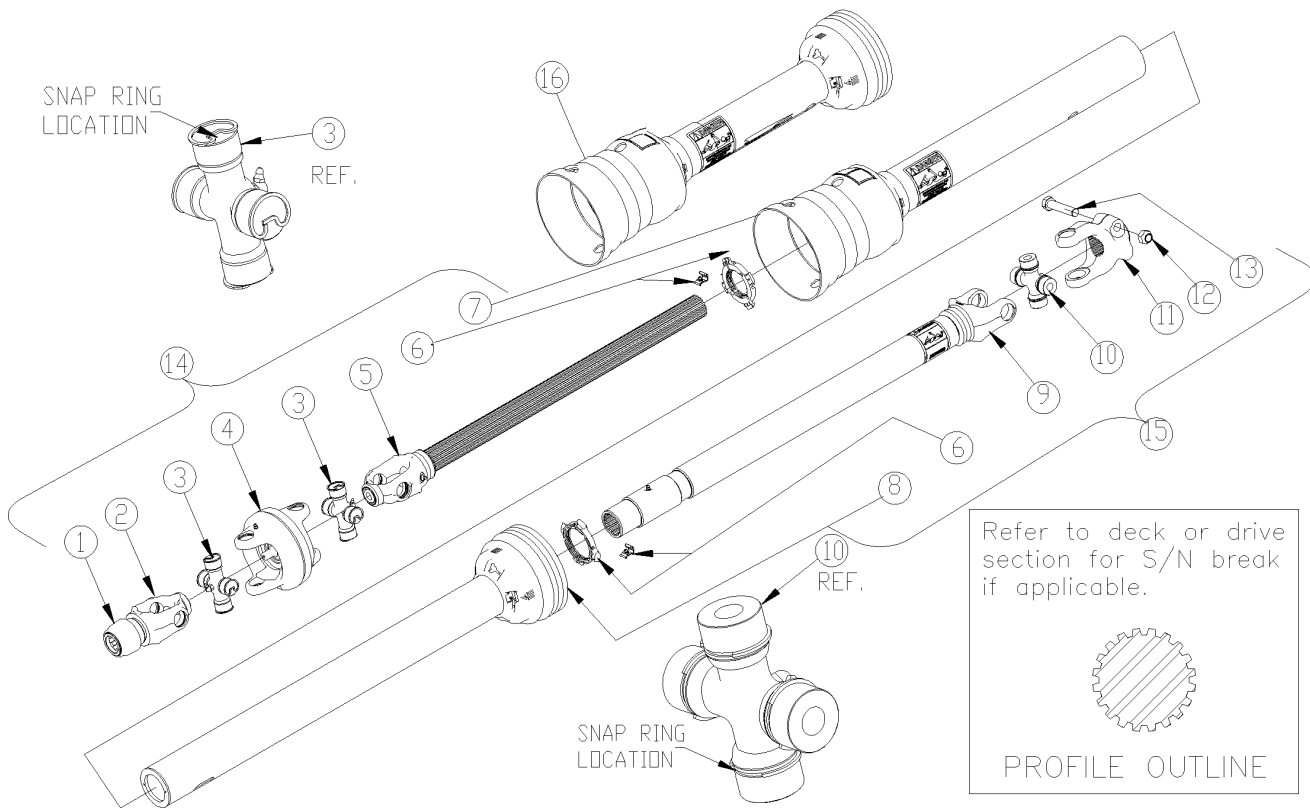


**Driveline Conv. 540 RPM (826-112C) Walterscheid****Applies to RC4620**

<b>Ref</b>	<b>Part No.</b>	<b>Part Description</b>	<b>Comments</b>	<b>Revision</b>
	Dwg 18548 826-112C	Drawing Image Number PTO 2500 X 39.76 NO CLUTCH *		
1.	325027	WS YOKE 1 3/4-20 SPL.I.C. 2500		
2.	362428	WS YOKE 1 3/8"-6 SPL. ASG		
3.	312209	WS CROSS & BEARING KIT 2500		
4.	097140	WS INBOARD YOKE 2500		
5.	304046	WS SPRING PIN 10 X 90		
6.	321256	WS INNER PROFILE 2400		
7.	390257	WS PROFILE & SLEEVE W.A.		
8.	097133	WS INBOARD YOKE 2400		
9.	818-540C	DECAL DANGER GUARD MISS PTO		
10.	365305	WALTERSCHEID SCREW		
11.	087276	WS BEARING RING - SC25		
12.	044321	WALTERSCHEID SAFETY CHAIN	(S/N 928934-)	
13.	389850	WS OUTER SHIELD TUBE RND.		
14.	818-552C	DECAL DANGER PTO DRIVELINE		
15.	388957	WS INNER SHIELD TUBE ROUND		
16.	364915	WS ASSY COLLAR KIT	S/N _____ +	
16.	339107	WS Q.D. PIN KIT	S/N _____ -	
17.	377437	WS SHIELD CONE 7 RIB		
18.	380371	WS ZERK		
19.	355155	WS SUPPORT BEARING		
20.	702352	WS HEX BOLT M16 X 90 GR 8.8		
21.	304011	WS LOCK NUT M16		
22.	377442	WS SHIELD CONE - 12 RIB		
23.	826-587C	SHIELD KIT, 826-112C		
24.	359474	WS REINFORCING COLLAR		

# Driveline CV 1.38 1000 RPM (826-644C) Weasler

Applies to RCM4620



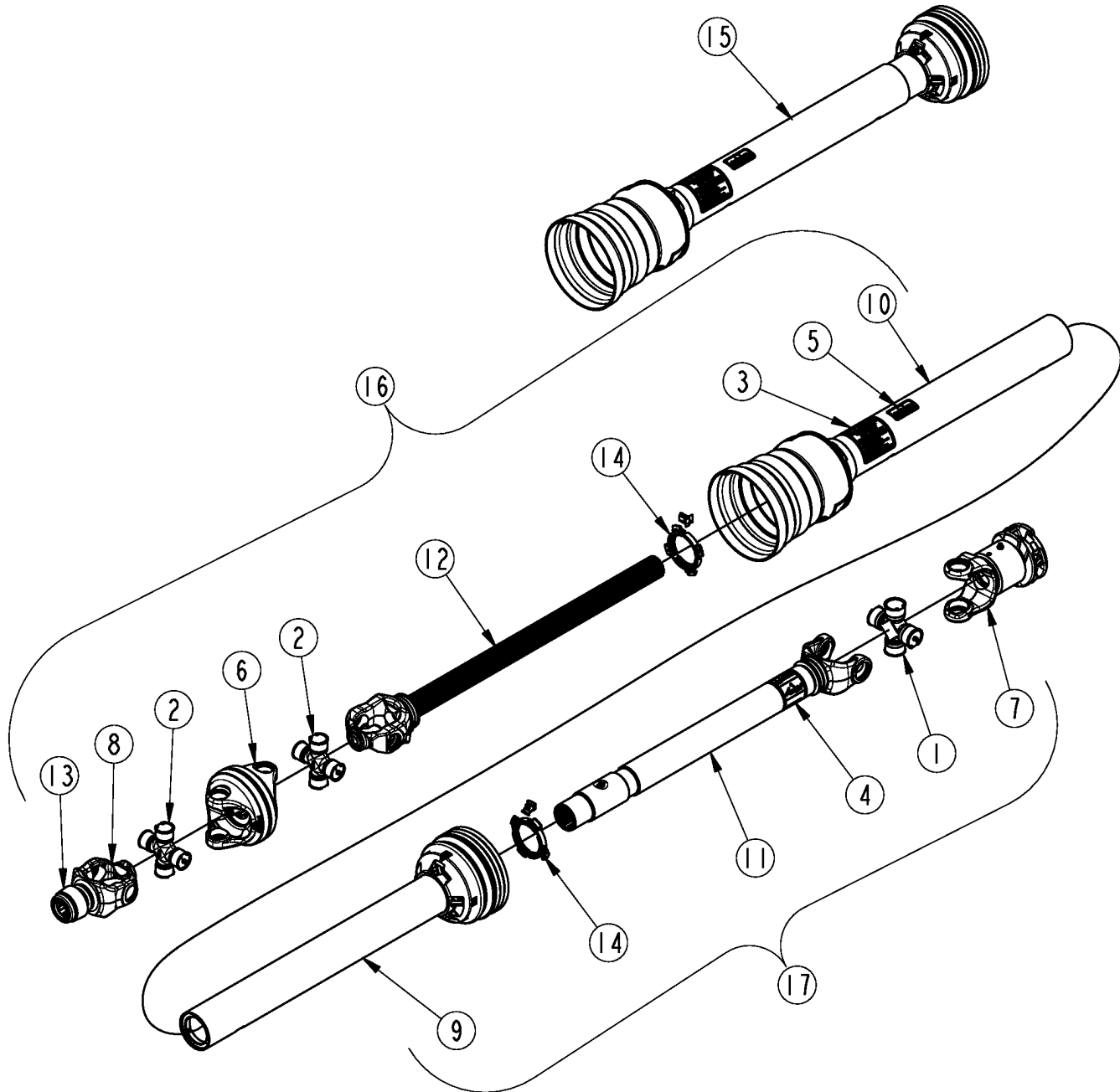
37911

**Driveline CV 1.38 1000 RPM (826-644C) Weasler****Applies to RCM4620**

<b>Ref</b>	<b>Part No.</b>	<b>Part Description</b>	<b>Comments</b>	<b>Revision</b>
	Dwg 37911 826-644C	Image No. DRVLN C6 42 1.38-21 CV *		
1.	26-15120	WE SSL/AUTO-LOK REPAIR KIT		
2.	68810-1003	WE WWCV AUTO-LOK YOKE ASM		
3.	03-15570	WE AB8/AW25EBL CROSS KIT		
4.	26-16033	WE WWCV CENTER HOUSING		
5.	99-24406	WE YOKE&SHAFT (1.69-20 SPLINE)		
6.	19-15135	WE GUARD REPAIR KIT		
7.	97-25023	WE OUTER GUARD		
8.	96-24406	WE INNER GUARD		
9.	98-24406	WE YOKE, TUBE & SLIP SLEEVE		
10.	03-15316	WE 55EBL CROSS KIT		
11.	55051-1817	WE YOKE		
12.	11-14988	WE LOCK NUT .625-11		
13.	11-15180	WE BOLT .625-11 X 3.00L GR8		
14.	93-25023	WE JOINT&SHFT HALF ASM W/GUARD		
15.	92-24406	WE JOINT&TUBE HALF ASM W/GUARD		
16.	91-25023	WE GUARD SET		

**Driveline CV 1.38 1000 RPM W/ Overrunning Clutch (826-793C) Weasler**

Applies to RCM4620



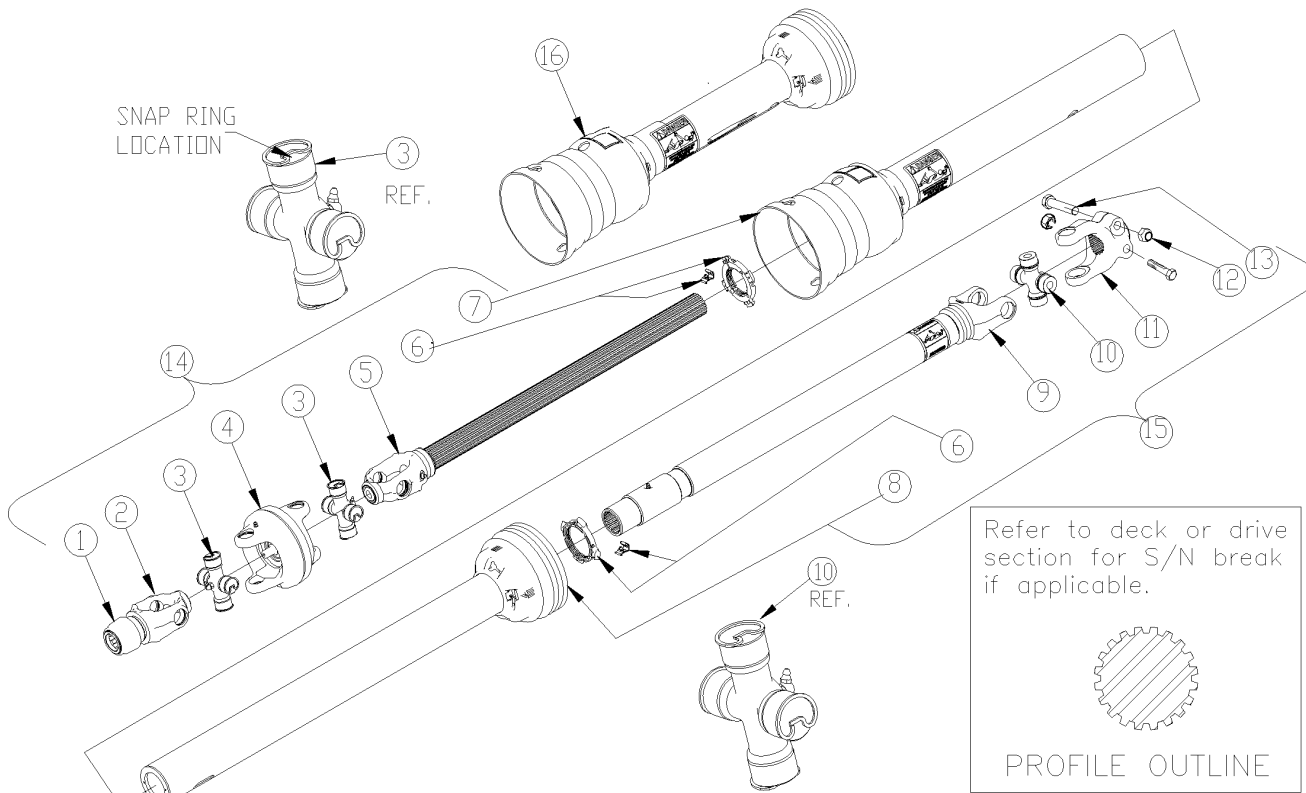
70947

***Driveline CV 1.38 1000 RPM W/ Overrunning Clutch (826-793C) Weasler*****Applies to RCM4620**

<b>Ref</b>	<b>Part No.</b>	<b>Part Description</b>	<b>Comments</b>	<b>Revision</b>
	Dwg 70947 826-793C	Image No. DRVLN C6 39 1.38-21 CV ORCLTCH *		
1.	03-15316	WE 55EBL CROSS KIT		
2.	03-15570	WE AB8/AW25EBL CROSS KIT		
3.	13-10021	WE SAFETY SIGN		
4.	13-10022	WE SAFETY SIGN		
5.	13-15249	WE DECAL LAND PRIDE		
6.	26-16033	WE WWCV CENTER HOUSING		
7.	39-10039	WE OVERRUNNING THRST CLTCH ASM		
8.	68810-1003	WE WWCV AUTO-LOK YOKE ASM		
9.	82-26654	WE JOINT & TUBE HALF GUARD SET		
10.	83-26656	WE JOINT & SHFT HALF GUARD SET		
11.	98-26654	WE YOKE, TUBE & SLIP SLEEVE		
12.	99-24406	WE YOKE&SHAFT (1.69-20 SPLINE)		
13.	26-15120	WE SSL/AUTO-LOK REPAIR KIT		
14.	19-15121	WE GUARD REPAIR KIT		
15.	90-26654	WE GUARD SET		
16.	93-25023	WE JOINT&SHFT HALF ASM W/GUARD		
17.	94-26654	WE JOINT & TUBE HALF ASM		

# Driveline CV 1.38 540 RPM (826-643C) Weasler

Applies to RC4620

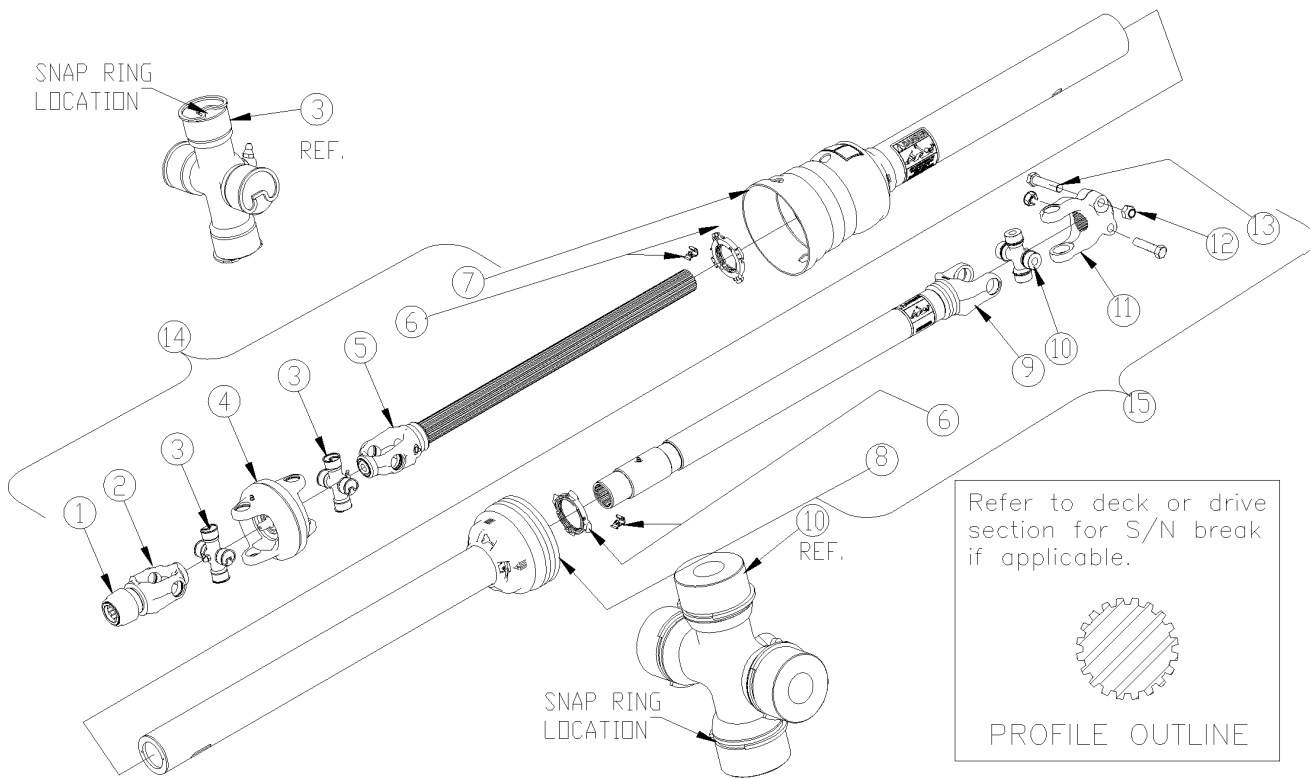


**Driveline CV 1.38 540 RPM (826-643C) Weasler****Applies to RC4620**

Ref	Part No.	Part Description	Comments	Revision
	Dwg 37916 826-643C	Image No. DRVLN C6 42 1.38-6 CV *		
1.	26-15120	WE SSL/AUTO-LOK REPAIR KIT		
2.	68810-1004	WE WWCV AUTO-LOK YOKE ASM		
3.	03-15570	WE AB8/AW25EBL CROSS KIT		
4.	26-16033	WE WWCV CENTER HOUSING		
5.	99-24406	WE YOKE&SHAFT (1.69-20 SPLINE)		
6.	19-15135	WE GUARD REPAIR KIT W/ CHAINS		
7.	97-24406	WE OUTER GUARD		
8.	96-24406	WE INNER GUARD		
9.	98-24406	WE YOKE, TUBE & SLIP SLEEVE		
10.	03-15316	WE 55EBL CROSS KIT		
11.	55051-1817	WE YOKE		
12.	11-14988	WE LOCK NUT .625-11		
13.	11-15180	WE BOLT .625-11 X 3.00L GR8		
14.	93-24406	WE JOINT&SHFT HALF ASM W/GUARD		
15.	92-24406	WE JOINT&TUBE HALF ASM W/GUARD		
16.	91-24406	RPBY 90-24406	(Obsolete)	
16.	90-24406	WE GUARD SET		

# Driveline CV 1.75 1000 RPM (826-645C)

Applies to RCM4620



37912



**Driveline CV 1.75 1000 RPM (826-645C)**

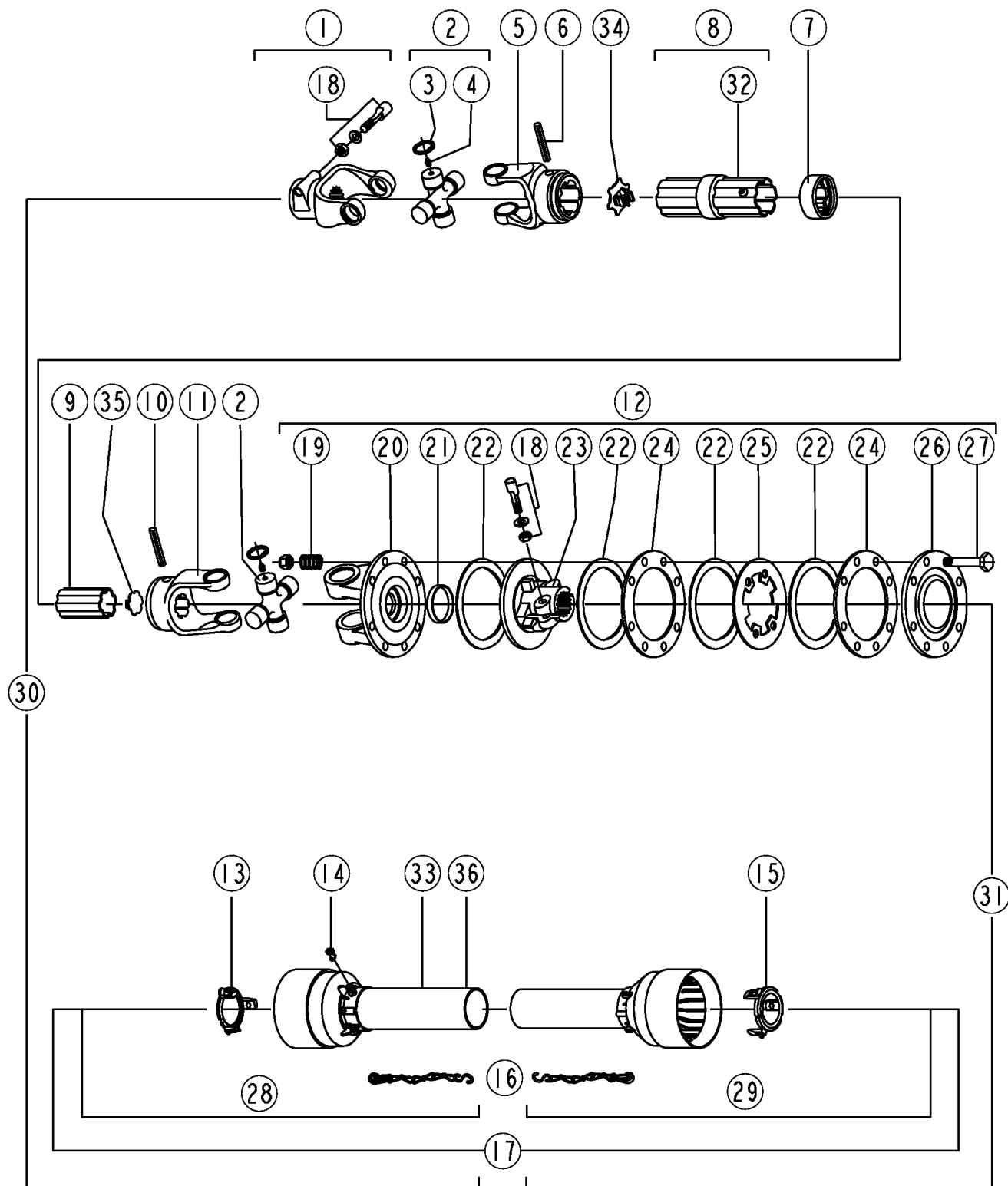
---

**Applies to RCM4620**

<b>Ref</b>	<b>Part No.</b>	<b>Part Description</b>	<b>Comments</b>	<b>Revision</b>
	Dwg 37912 826-645C	Image No. DRVLN C6 47 1.75-20 CV *		
1.	26-13387	WE SSL/AUTO-LOK REPAIR KIT		
2.	68810-1005	WE WWCV AUTO-LOK YOKE ASM		
3.	03-15570	WE AB8/AW25EBL CROSS KIT		
4.	26-16033	WE WWCV CENTER HOUSING		
5.	99-24406	WE YOKE&SHAFT (1.69-20 SPLINE)		
6.	19-15135	WE GUARD REPAIR KIT		
7.	97-25075	WE OUTER GUARD		
8.	96-25075	WE INNER GUARD		
9.	98-25075	WE YOKE, TUBE & SLIP SLEEVE		
10.	03-15316	WE 55EBL CROSS KIT		
11.	55051-1817	WE YOKE		
12.	11-14988	WE LOCK NUT .625-11		
13.	11-15180	WE BOLT .625-11 X 3.00L GR8		
14.	93-25075	WE JOINT&SHFT HALF ASM W/GUARD		
15.	92-25075	WE JOINT&TUBE HALF ASM W/GUARD		

# Driveline Wing (826-819C) Comer

Applies to RC4620, RCM4620



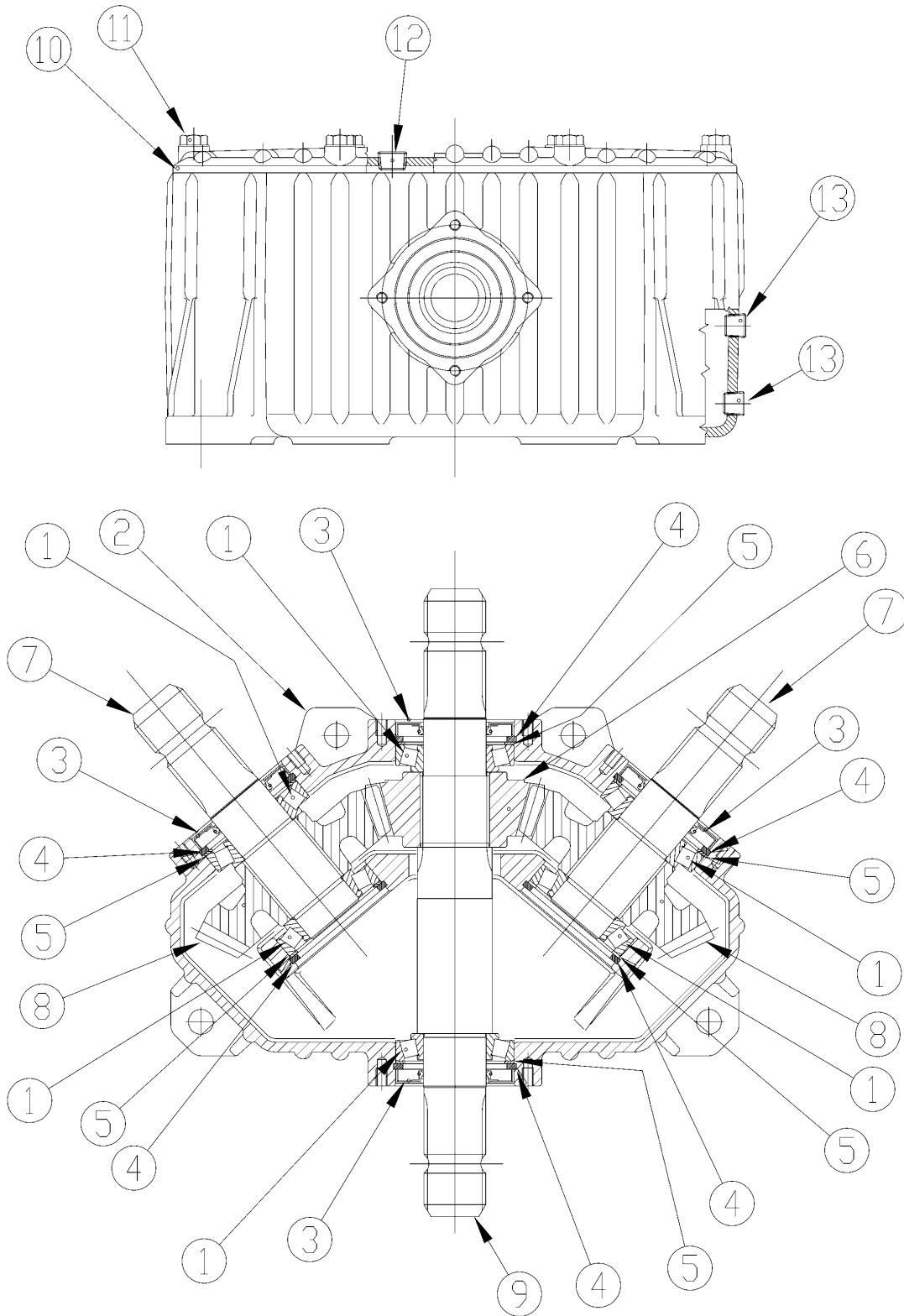
37507

**Driveline Wing (826-819C) Comer****Applies to RC4620, RCM4620**

Ref	Part No.	Part Description	Comments	Revision
	Dwg 37507 826-819C	Image No. PTO V80 X 77.05 1280NM CLUTCH *		
1.	141.028.195.1	COMER YOKE COMPLETE		
2.	180.018.581	CO CROSS JOURNAL SET		
3.	190.000.035	CO CIRCLIP		
4.	190.000.047	CO GREASE NIPPLE		
5.	151.018.241.1	COMER YOKE OUTER		
6.	190.000.243	COMER OUTER TUBE ROLL PIN		
7.	180.018.437	COMER WIPER		
8.	150.281.5257810	CO COMPLETE OUTER TUBE		
9.	159.280.207	CO INNER TUBE		
10.	190.000.271	COMER ROLL PIN FOR INNER TUBE		
11.	151.018.242.1	COMER INNER YOKE		
12.	146.284.020.1	COMER CLUTCH, DISC COMPLETE		
13.	180.018.251	COMER RETAINING COLLER INNER		
14.	180.014.240	COMER BOLT		
15.	180.018.252	COMER RETAINING COLLER INNER		
16.	180.016.790	CO SAFTEY CHAINS	(S/N 928934-)	
17.	142.286.2499821	CO COMPLETE GUARD W/MANUAL		
18.	165.000.589	COMER TAPERED PIN SET 1 3/4		
19.	180.014.022	COMER SPRING		
20.	151.018.016.1	COMER YOKE, FLANGED		
21.	180.019.019	COMER BUSH		
22.	180.019.018	RPBY 180.019.340		
23.	151.018.228.1	COMER CLUTCH SUPPORT		
24.	180.019.014	COMER INNER PLATE		
25.	180.019.115	COMER INTERMEDIATE PLATE		
26.	180.019.116.1	COMER PRESSURE PLATE		
27.	165.000.548	COMER BOLT WITH NUT M10X100		
28.	142.283.2489821	CO HALF FEMALE GUARD		
29.	142.287.2179821	CO HALF MALE GUARD		
30.	123.386.184.01	CO HALF FEMALE SHFT W/GUARDING		
31.	123.486.338.01	CO HALF MALE SHAFT W/GUARDING		
32.	190.000.098	COMER DANGER LABEL OUTER TUBE		
33.	190.000.099	COMER DANGER LABEL GUARD OUTER		
34.	180.018.393	COMER CAP OUTER TUBE, PLASTIC		
35.	180.018.435	COMER INNER CAP		
36.	190.000.920	CO LABEL W/CUSTOMER CODE		

**Divider Box 1000 RPM 1.35:1 (826-709C)**

Applies to RCM4620



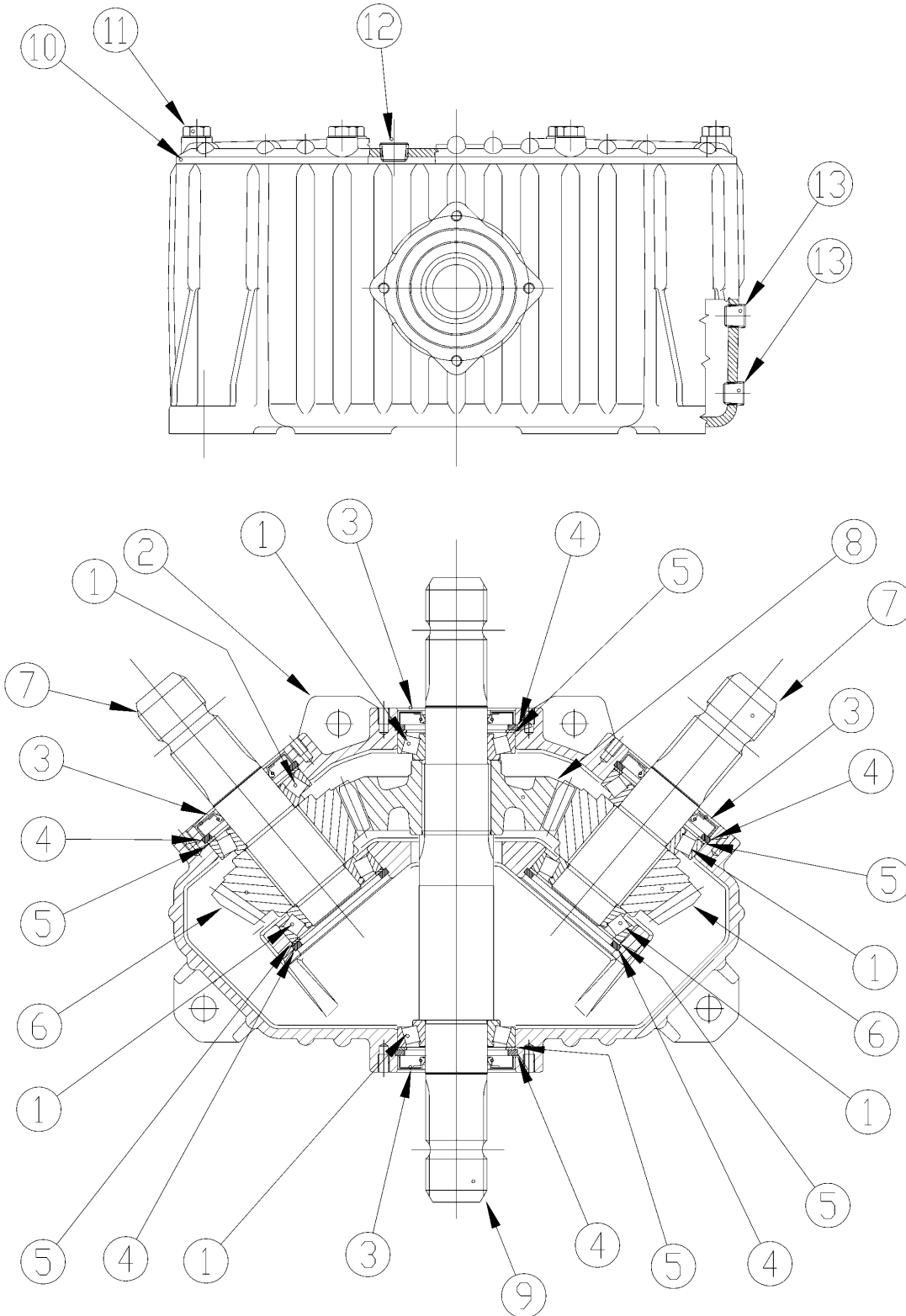
33807

**Divider Box 1000 RPM 1.35:1 (826-709C)****Applies to RCM4620**

<b>Ref</b>	<b>Part No.</b>	<b>Part Description</b>	<b>Comments</b>	<b>Revision</b>
	Dwg 33807 826-709C	Drawing Image Number DIV BOX 1000RPM 1.35:1 *		
1.	8.0.9.00143	CO BRG 30209 TAPPED		
2.	0.305.0300.01	CO CASING		
3.	8.7.1.02348	CO DUST LIP (45X85X10)		
4.	8.5.2.01772	CO SNAP RING		
5.	A.709.500	COMER SHIM KIT		
6.	0.305.5006.00	CO GEAR M6 Z20		
7.	0.305.3000.00	CO SHAFT 1" 3/4 Z20		
8.	0.305.6003.00	CO GEAR M6 Z27		
9.	0.305.2000.00	CO SHAFT 1" 3/4 Z20		
10.	0.305.1300.00	TOP COVER PLATE		
11.	8.1.1.00109	CO BOLT M10 X 35 8.8		
12.	8.6.6.00088	CO 1/2" GAS OIL PLUG W/EMB HEX		
13.	8.6.6.00201	CO PLUG 3/8 GAS (SOLID PLUG)		

**Divider Box 540 RPM 1:1.35 (826-708C)**

**Applies to RC4620**



33806

**Divider Box 540 RPM 1:1.35 (826-708C)**

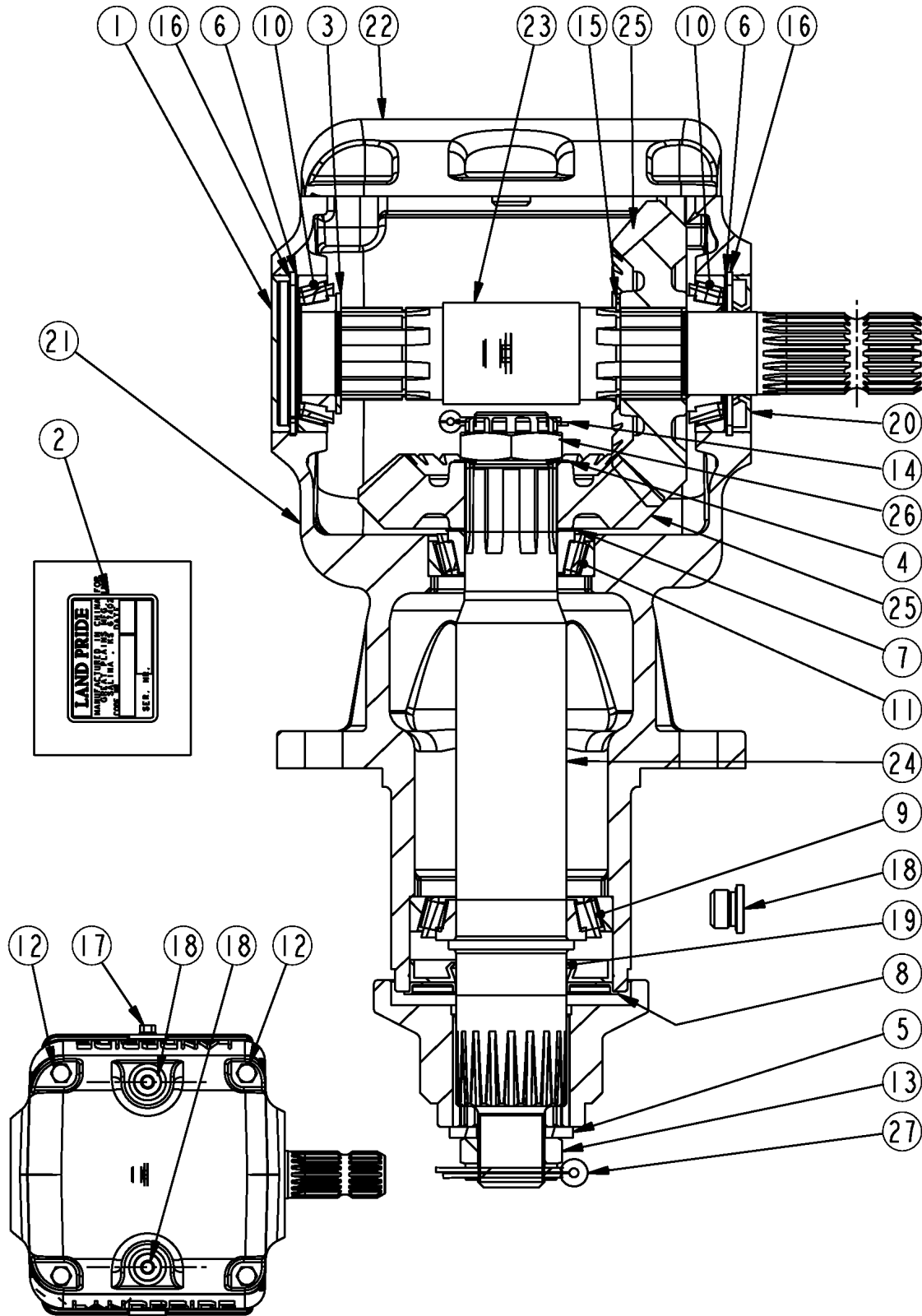
---

**Applies to RC4620**

<b>Ref</b>	<b>Part No.</b>	<b>Part Description</b>	<b>Comments</b>	<b>Revision</b>
	Dwg 33806 826-708C	Drawing Image Number DIV BOX 540RPM 1:1.35 *		
1.	8.0.9.00143	CO BRG 30209 TAPPED		
2.	0.305.0300.01	CO CASING		
3.	8.7.1.02348	CO DUST LIP (45X85X10)		
4.	8.5.2.01772	CO SNAP RING		
5.	A.709.500	COMER SHIM KIT		
6.	0.305.5006.00	CO GEAR M6 Z20		
7.	0.305.3000.00	CO SHAFT 1" 3/4 Z20		
8.	0.305.6003.00	CO GEAR M6 Z27		
9.	0.305.2000.00	CO SHAFT 1" 3/4 Z20		
10.	0.305.1300.00	TOP COVER PLATE		
11.	8.1.1.00109	CO BOLT M10 X 35 8.8		
12.	8.6.6.00088	CO 1/2" GAS OIL PLUG W/EMB HEX		
13.	8.6.6.00201	CO PLUG 3/8 GAS (SOLID PLUG)		

# Gearbox (826-840C)

Applies to RC4620, RCM4620



39261

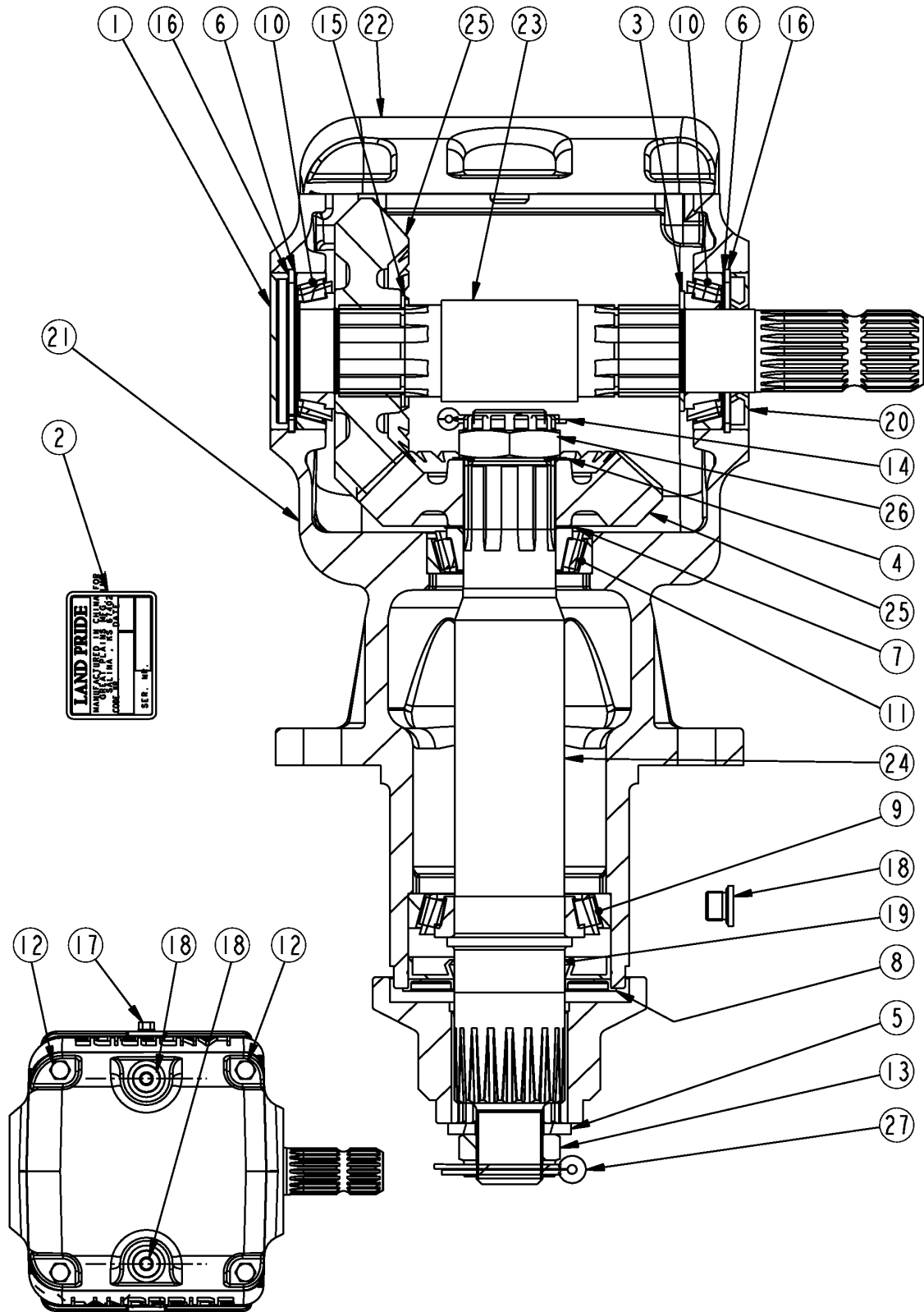


**Gearbox (826-840C)****Applies to RC4620, RCM4620**

<b>Ref</b>	<b>Part No.</b>	<b>Part Description</b>	<b>Comments</b>	<b>Revision</b>
	Dwg 39261	Image No.		
1.	0.121.7101.00	CO CAP		
2.	0.141.7109.00	CO NAME PLATE		
3.	0.252.7525.00	CO SHIM 45.3X2.5		
4.	0.285.7510.00	CO SHIM 40.3 X 61.7 X 1		
5.	0.288.7101.00	CO BLANK WASHER		
6.	A.709.500	COMER SHIM KIT		
7.	A.712.500	COMER SHIM KIT		
8.	1.181.7101.00	CO SEAL PROTECTOR		
9.	8.0.9.00079	CO BRG 30212 (60X110X23.75)		
10.	8.0.9.00143	CO BRG 30209 TAPERED		
11.	8.0.9.01090	CO BRG 32210 (50X90X24.75)		
12.	8.1.1.00501	CO BOLT M10X22 HHB		
13.	8.2.2.00560	CO CASTLE NUT M36X3		
14.	8.4.7.02265	CO COTTER PIN B 5X60		
15.	8.5.1.00533	CO SNAP RING 50 UNI7435		
16.	8.5.2.00332	CO SNAP RING UNI 7437		
17.	8.6.5.00006	CO OIL PLUG 3/8		
18.	8.6.6.02901	CO GAS PLUG 1/2		
19.	8.7.1.02349	CO OIL SEAL 60X110X12 SL		
20.	8.7.1.02348	CO DUST LIP (45X85X10)		
21.	U0.125.0531.00	CO CASTING & MACHINING		
22.	U0.125.1303.00	CO TOP COVER		
23.	U0.125.2050.00	CO INPUT SHAFT 1 3/4"-20		
24.	U0.125.3002.00	CO OUTPUT SHAFT		
25.	U0.125.5004.00	GEAR CROWN Z21 M7.75		
26.	U0.125.7100.00	CO CASTLE NUT		
27.	8.4.7.01045	CO COTTER PIN B6X70 SLD-SPRTLY		

# Gearbox (826-841C)

Applies to RC4620, RCM4620



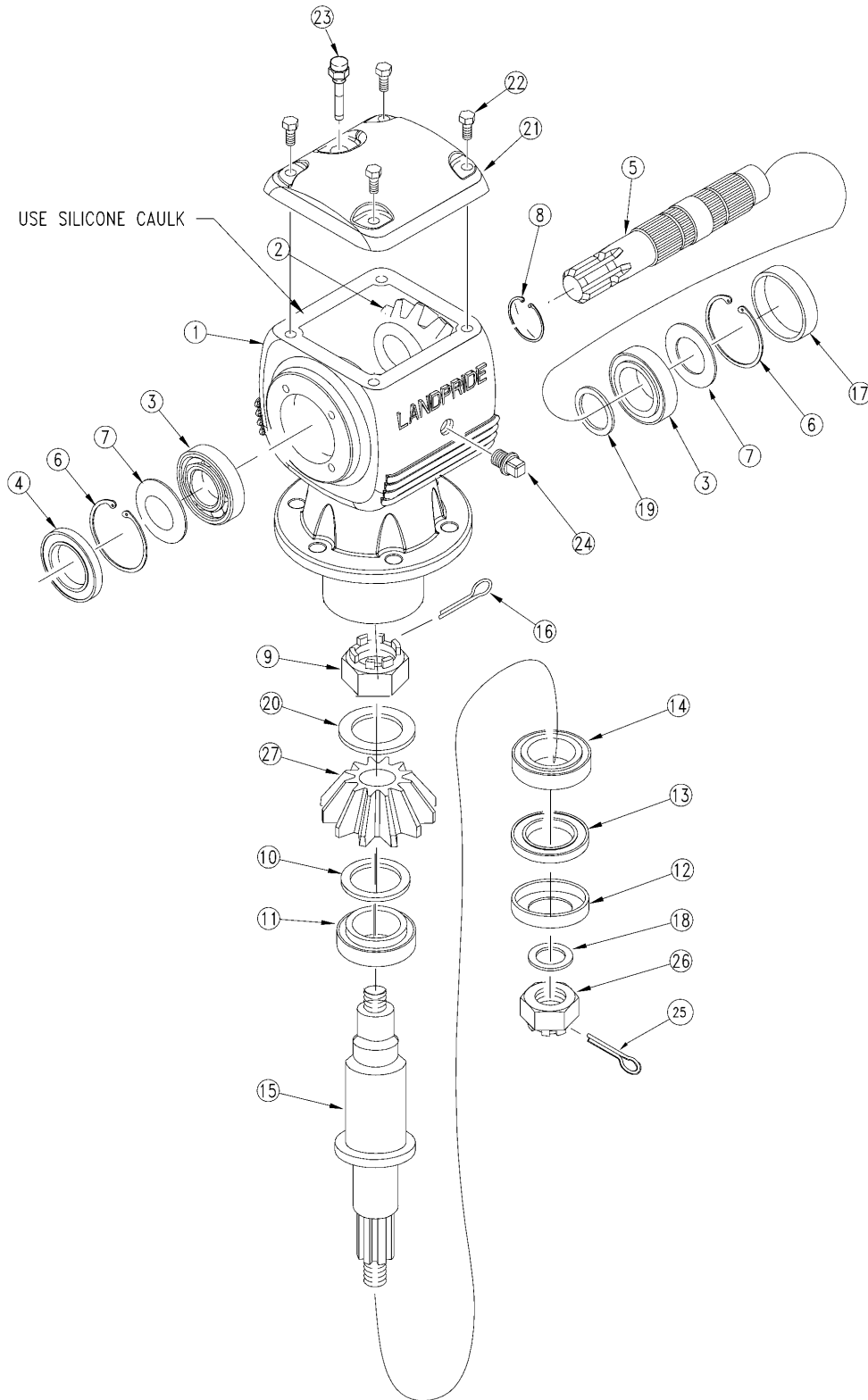
39262

**Gearbox (826-841C)****Applies to RC4620, RCM4620**

Ref	Part No.	Part Description	Comments	Revision
	Dwg 39262 826-841C	Image No. GBOX RC50 1:1 REV *		
1.	0.121.7101.00	CO CAP		
2.	0.141.7109.00	CO NAME PLATE		
3.	0.252.7525.00	CO SHIM 45.3X2.5		
4.	0.285.7510.00	CO SHIM 40.3 X 61.7 X 1		
5.	0.288.7101.00	CO BLANK WASHER		
6.	A.709.500	COMER SHIM KIT		
7.	A.712.500	COMER SHIM KIT		
8.	1.181.7101.00	CO SEAL PROTECTOR		
9.	8.0.9.00079	CO BRG 30212 (60X110X23.75)		
10.	8.0.9.00143	CO BRG 30209 TAPERED		
11.	8.0.9.01090	CO BRG 32210 (50X90X24.75)		
12.	8.1.1.00501	CO BOLT M10X22 HHB		
13.	8.2.2.00560	CO CASTLE NUT M36X3		
14.	8.4.7.02265	CO COTTER PIN B 5X60		
15.	8.5.1.00533	CO SNAP RING 50 UNI7435		
16.	8.5.2.00332	CO SNAP RING UNI 7437		
17.	8.6.5.00006	CO OIL PLUG 3/8		
18.	8.6.6.02901	CO GAS PLUG 1/2		
19.	8.7.1.02349	CO OIL SEAL 60X110X12 SL		
20.	8.7.1.02348	CO DUST LIP (45X85X10)		
21.	U0.125.0531.00	CO CASTING & MACHINING		
22.	U0.125.1303.00	CO TOP COVER		
23.	U0.125.2050.00	CO INPUT SHAFT 1 3/4"-20		
24.	U0.125.3002.00	CO OUTPUT SHAFT		
25.	U0.125.5004.00	GEAR CROWN Z21 M7.75		
26.	U0.125.7100.00	CO CASTLE NUT		
27.	8.4.7.01045	CO COTTER PIN B6X70 SLD-SPRTLY		

# Gearbox 1000 RPM (826-626C) Comer

Applies to RCM4620



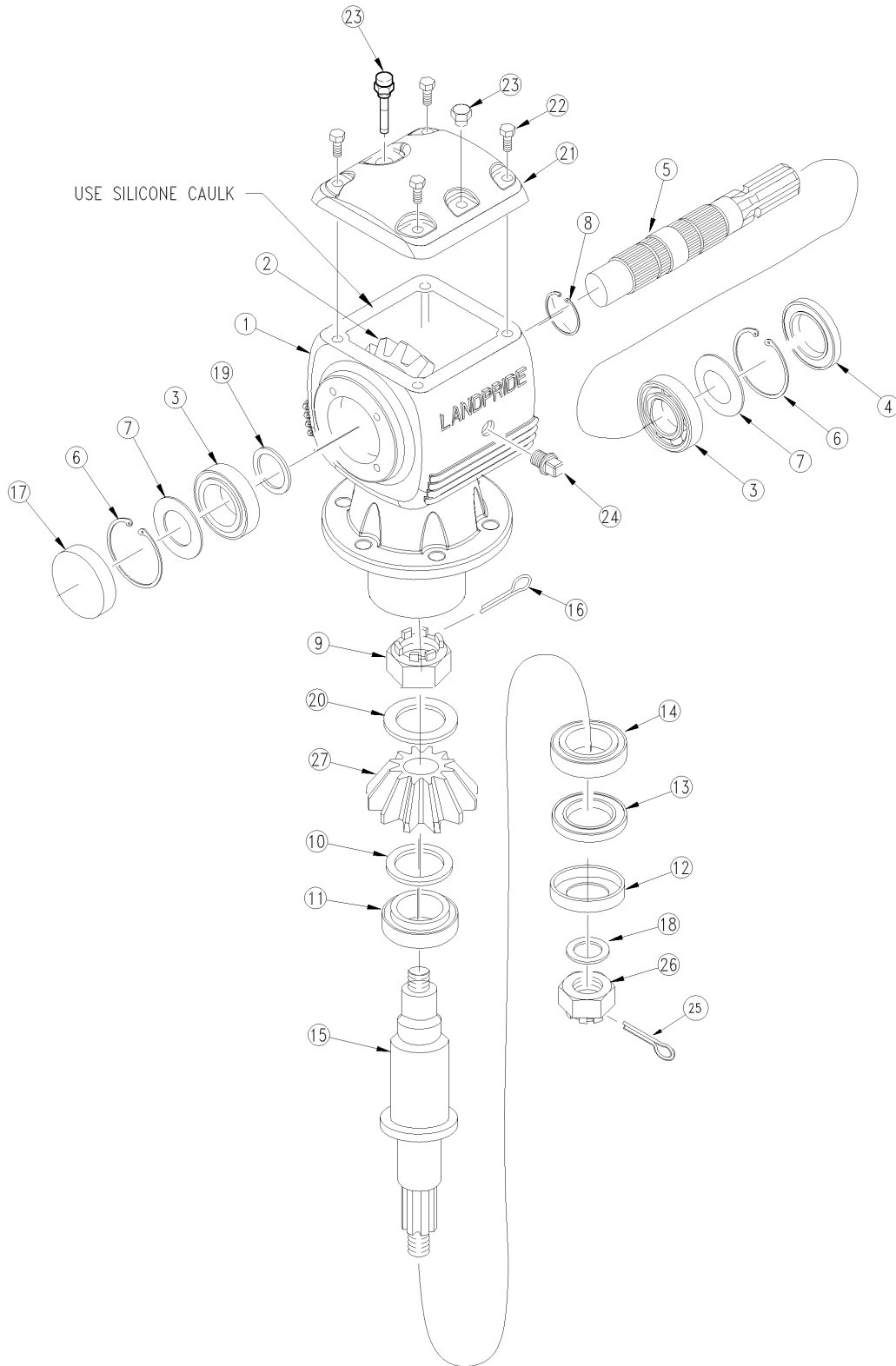
26639

***Gearbox 1000 RPM (826-626C) Comer*****Applies to RCM4620**

<b>Ref</b>	<b>Part No.</b>	<b>Part Description</b>	<b>Comments</b>	<b>Revision</b>
	Dwg 21167	Drawing Image Number		
	826-626C	GBOX RCM50 1.75-20 1.21:1 CCW *		
1.	U0.125.0531.00	CO HOUSING		
2.	U0.125.6003.00	CO CROWN GEAR Z18 M7.8		
3.	8.0.9.00143	CO BEARING 30209 RTA25		
4.	8.7.3.00331	CO OIL SEAL 45 X 85 X 10		
5.	U0.125.2050.00	CO INPUT SHAFT 1 3/4"-20		
6.	8.5.2.00332	CO SNAP RING UNI 7437		
7.	0.709.7500.00	CO SHIM 84.7		
8.	8.5.1.00533	CO SNAP RING 50 UNI7435		
9.	U0.125.7100.00	CO CASTLE NUT		
10.	0.712.7500.00	CO SHIM 50.3X70.3		
11.	8.0.9.01090	CO BEARING 32210		
12.	1.181.7101.00	CO SEAL PROTECTOR		
13.	8.7.1.02349	CO OIL SEAL 60X110X12		
14.	8.0.9.00079	CO BEARING 30212		
15.	U0.125.3002.00	CO OUTPUT SHAFT		
16.	8.4.7.02265	CO COTTER PIN B 5X60		
17.	0.121.7101.00	CO CAP		
18.	0.288.7101.00	CO BLANK WASHER		
19.	0.252.7525.00	CO SHIM 45.3X2.5		
20.	0.285.7510.00	CO SHIM 40.3 X 61.7 X 1		
21.	U0.125.1301.00	CO COVER		
22.	8.1.1.00501	CO BOLT M10X22 HHB		
23.	826-486C	COMER U0.125.7003.00 OIL PLUG		
24.	8.6.5.00006	CO OIL PLUG 3/8		
25.	8.4.7.01045	CO COTTER PIN B6X70 SLD-SPRTLY		
26.	8.2.2.00560	CO CASTLE NUT M36X3		
27.	U0.125.5003.00	CO CROWN GEAR Z22 M7.8		

***Gearbox 540 RPM (826-316C)***

**Applies to RC4620**



21171

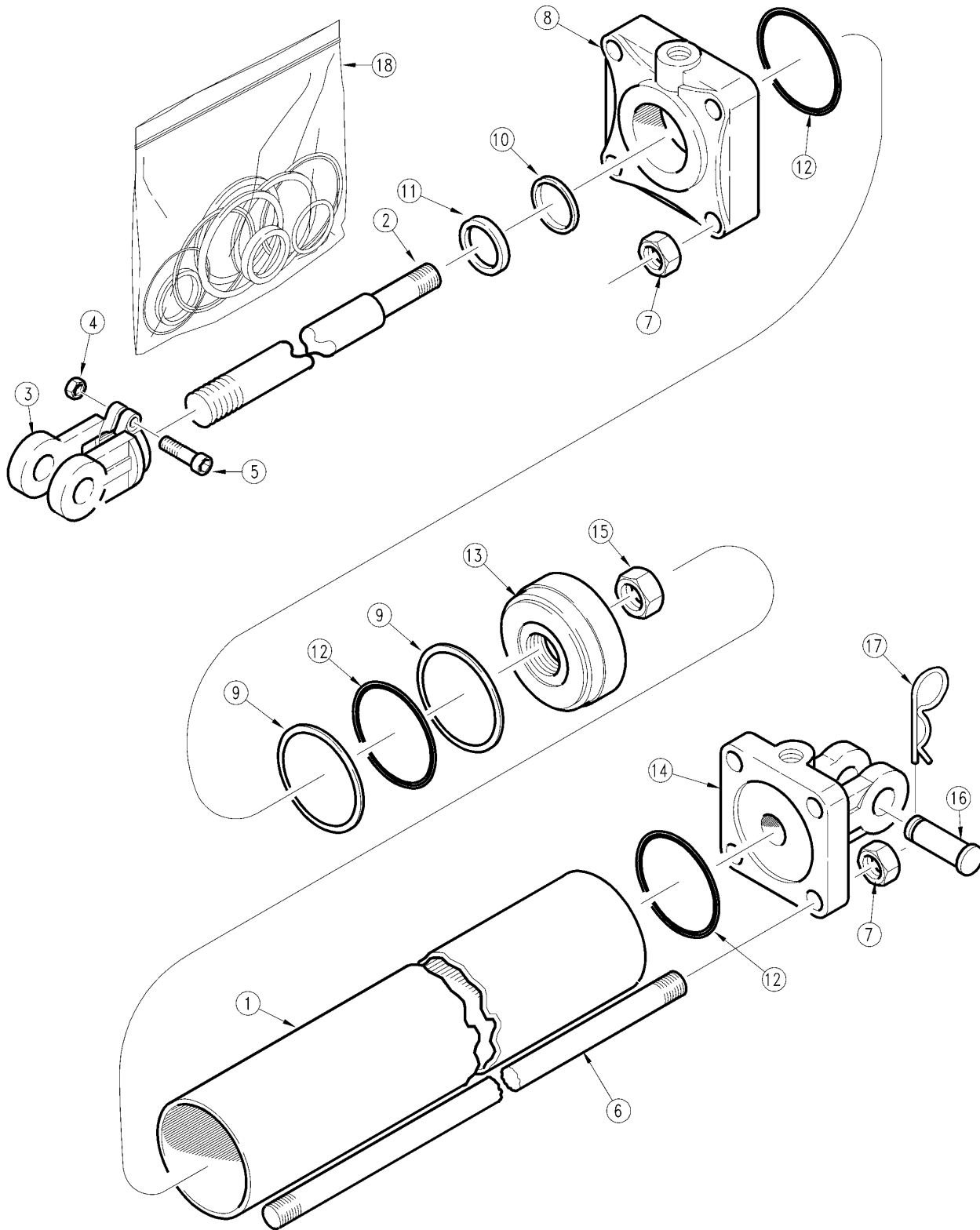
**Gearbox 540 RPM (826-316C)****Applies to RC4620**

Ref	Part No.	Part Description	Comments	Revision
	Dwg 21771 826-316C	Drawing Image Number GBOX RC50 1.75-20 1:1.46 CW *	R. H. Deck	
1.	U0.125.0531.00	CO HOUSING		
2.	U0.125.5005.00	CO CROWN GEAR Z22 M8		
3.	8.0.9.00143	CO BEARING 30209 RTA25		
4.	8.7.3.00331	CO OIL SEAL 45 X 85 X 10		
5.	U0.125.2050.00	CO INPUT SHAFT 1 3/4"-20		
6.	8.5.2.00332	CO SNAP RING UNI 7437		
7.	0.709.7500.00	CO SHIM 84.7		
8.	8.5.1.00533	CO SNAP RING 50 UNI7435		
9.	U0.125.7100.00	CO CASTLE NUT		
10.	0.712.7500.00	CO SHIM 50.3X70.3		
11.	8.0.9.01090	CO BEARING 32210		
12.	1.181.7101.00	CO SEAL PROTECTOR		
13.	8.7.1.02349	CO OIL SEAL 60X110X12		
14.	8.0.9.00079	CO BEARING 30212		
15.	U0.125.3002.00	CO OUTPUT SHAFT		
16.	8.4.7.02265	CO COTTER PIN B 5X60		
17.	0.121.7101.00	CO CAP		
18.	0.288.7101.00	CO BLANK WASHER		
19.	0.252.7525.00	CO SHIM 45.3X2.5		
20.	0.285.7510.00	CO SHIM 40.3 X 61.7 X 1		
21.	U0.125.1301.00	CO COVER		
22.	8.1.1.00501	CO BOLT M10X22 HHB		
23.	826-486C	COMER U0.125.7003.00 OIL PLUG		
24.	8.6.5.00006	CO OIL PLUG 3/8		
25.	8.4.7.01045	CO COTTER PIN B6X70 SLD-SPRTLY		
26.	8.2.2.00560	CO CASTLE NUT M36X3		
27.	U0.125.6004.00	CO CROWN GEAR Z15 M8 *		

Notes: Oil Type 80-90W Capacity 10 Pints

# Hydraulic Cylinder (810-362C) Cross

Applies to RC4620, RCM4620



15704

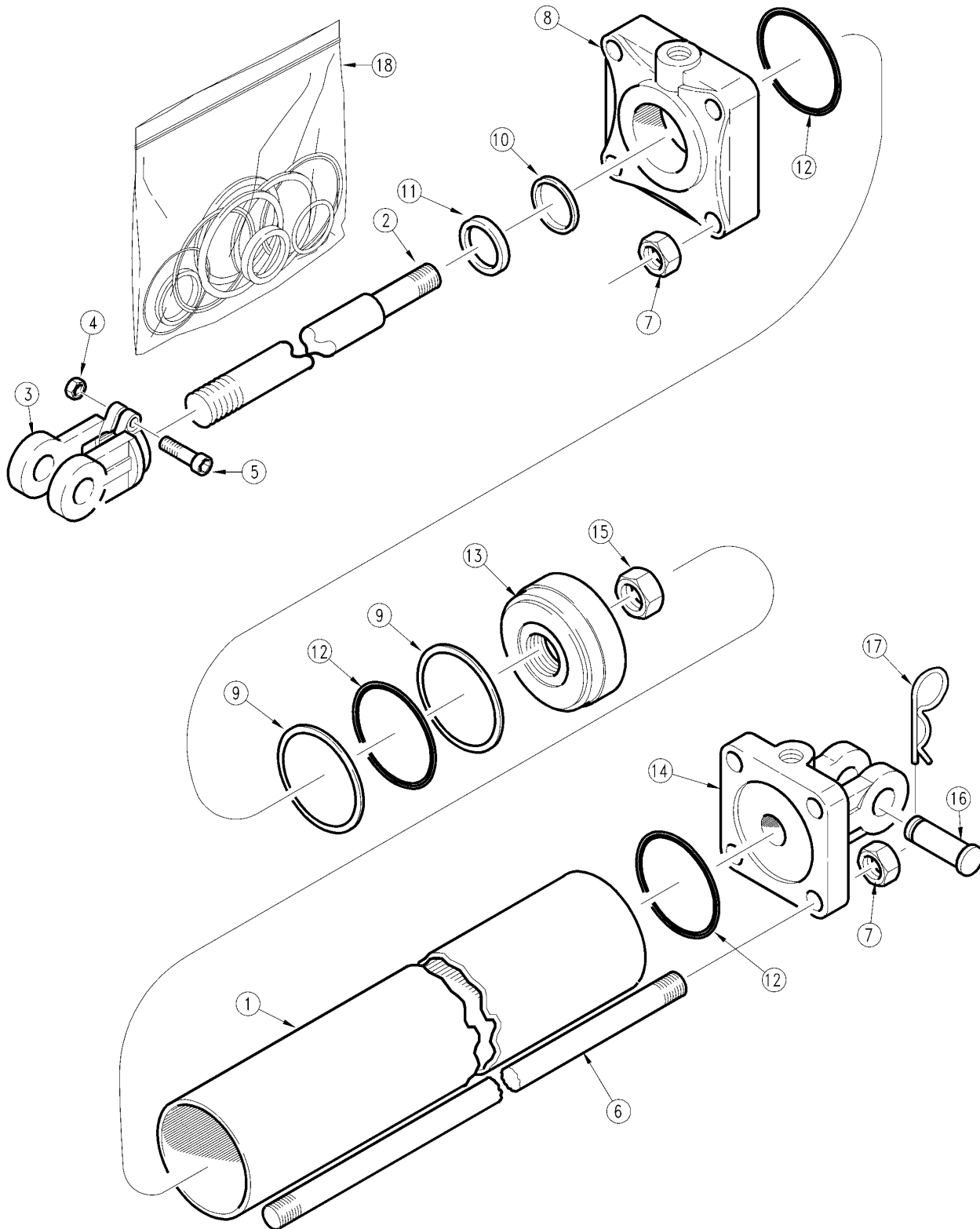


***Hydraulic Cylinder (810-362C) Cross*****Applies to RC4620, RCM4620**

<b>Ref</b>	<b>Part No.</b>	<b>Part Description</b>	<b>Comments</b>	<b>Revision</b>
	Dwg 15704 810-362C	Drawing Image Number RPBY 850-327C *	Obsolete	
1.	1D0009-1450	CROSS TUBE		
2.	1D0205-1662	CROSS ROD		
3.	1D1013-5	CROSS ROD CLEVIS		
4.	2A0235-6	CROSS NUT, CLEVIS & TIE ROD		
5.	2A0079-616	CROSS SCREW, CAP		
6.	2A0581-1725	CROSS TIE ROD		
7.	2A0236-9	TIE ROD NUT CROSS		
8.	1D1159-7	HEAD CROSS		
9.	N/A	BACKUP PISTON	Only found in seal kit 18	
10.	N/A	U-CUP	Only found in seal kit 18	
11.	N/A	ROD WIPER	Only found in seal kit 18	
12.	N/A	O-RING PISTON	Only found in seal kit 18	
13.	1D1401-350	PISTON CROSS		
14.	1D1224-7	BASE CROSS 826-362C		
15.	1A1141	PISTON NUT CROSS		
16.	1D1551-16300	CROSS CLEVIS PIN	Usable Length (76mm or 3")	
17.	2A0308-1	CROSS PIN, CLIP		
18.	810-146C	SEAL KIT CROSS 3.5 CYL 1C4429		

# Hydraulic Cylinder (810-362C) Midway

Applies to RC4620, RCM4620



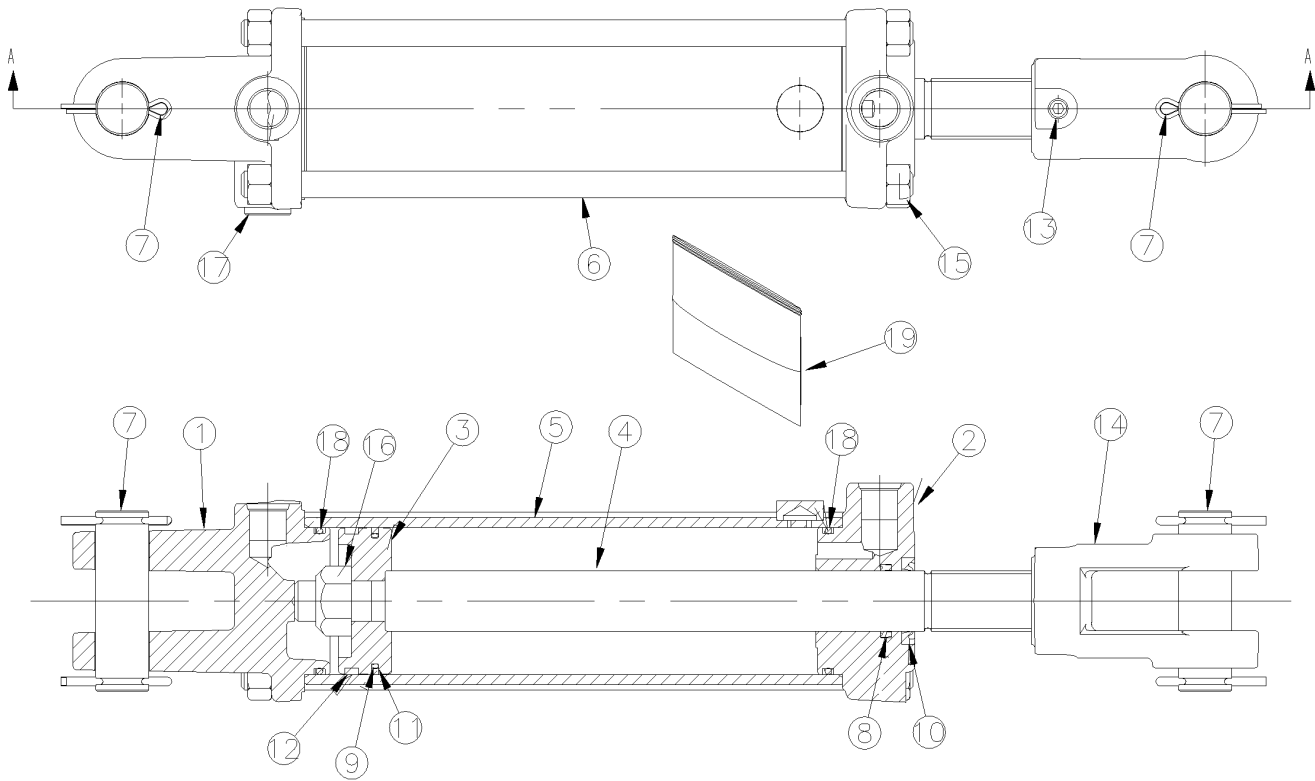
15704

***Hydraulic Cylinder (810-362C) Midway*****Applies to RC4620, RCM4620**

<b>Ref</b>	<b>Part No.</b>	<b>Part Description</b>	<b>Comments</b>	<b>Revision</b>
	Dwg 15704 810-362C	Drawing Image Number RPBY 850-327C *	Obsolete	
1.	5M5120	MW TUBE		
2.	2M5418	MW ROD 1 1/4 DIA X 10' STROKE		
3.	1M6010	MW CLEVIS STD. DUTY		
4.	2A0012	MW NUT CLEVIS & TIE ROD		
5.	2A0006	MW CAPSCREW		
6.	7M5320	TIE ROD MIDWAY		
7.	2A0016	MW TIE ROD NUT		
8.	3M5410	MW HEAD 3-1/2X1-1/4ROD 9/16SAE		
9.	N/A	MW BACK UP TUBE	Found in Seal Kit #18	
10.	N/A	MW WIPER	Found in Seal Kit #18	
11.	N/A	MW U-CUP	Found in Seal Kit #18	
12.	N/A	MW O-RING	Found in Seal Kit #18	
13.	4M5108	MW PISTON	Obsolete	
13.	4M5102	RPBY 4M5108		
14.	6M5152	MW BASE 3 1/2		
15.	2A0024	MW PISTON NUT 1-14		
16.	2A0208	MW CLEVIS PIN		
17.	2A0132	MW PIN CLIP		
18.	810-149C	SEAL KIT 810-104C MW 3A5102		

# Hydraulic Cylinder (810-738C) Red Lion

Applies to RC4620, RCM4620



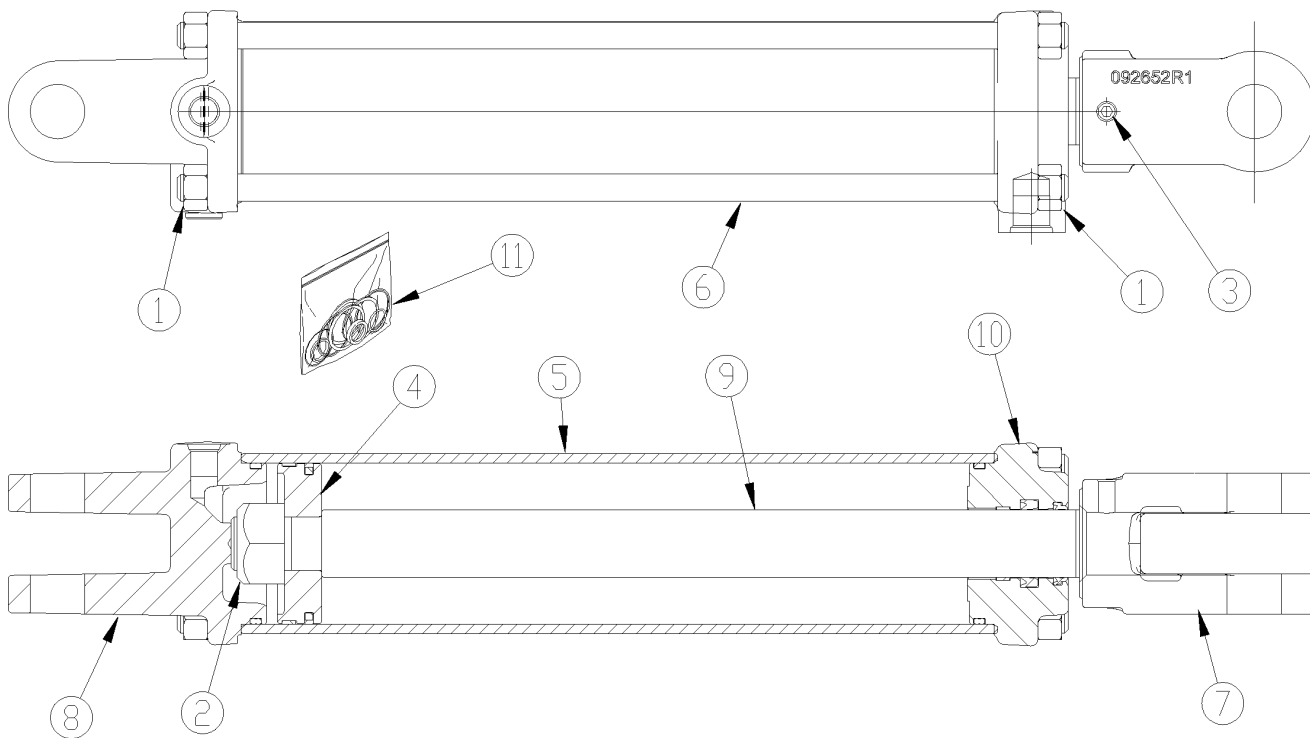
33905

**Hydraulic Cylinder (810-738C) Red Lion****Applies to RC4620, RCM4620**

<b>Ref</b>	<b>Part No.</b>	<b>Part Description</b>	<b>Comments</b>	<b>Revision</b>
	Dwg 33905 810-738C	Drawing Image Number CYL REP 2.75X8X1.13 ROD (TIE) *		
1.	492660	MON CLEVIS CAP 2.75-3/4ORB-1.0		
2.	492661	MON ROD CAP 2.75-1.12-3/4ORB		
3.	294727	MON PISTON 2.75-.75-TH-TP-TD		
4.	492180	MON ROD CYL1.12-08-.75-1.12-TP		
5.	464264	MON TUBE WELDT 2.75-08.00-TP		
6.	492278	MON TIE ROD		
7.	235005	MON PIN KIT 1.00C/W COTTER PIN		
8.	N/A	MON SEAL HALLITE 605 ROD 1.13		
9.	N/A	MON ORING 141 2 5/16X2 1/2		
10.	N/A	LION WIPER SEAL		
11.	N/A	MON SEAL PTFE PSTN RING 2 3/4D		
12.	N/A	MON WEAR RNG 2.75-2.50-.25-GFN		
13.	N/A	MON NYLON THREAD PROTECTOR		
14.	492650	LION ROD CLEVIS 1 1/8-12UNF		
15.	803-020C	NUT HEX 1/2-13 PLT		
16.	130556	MON PISTON NUT		
17.	186562	LION PLUG 3/4-16UNF SOCKET HD		
18.	N/A	MON SEAL DUAL 2.75		
19.	851-348C	MON SEAL KIT 810-738C		

# Hydraulic Cylinder (810-838C) Red Lion

Applies to RC4620, RCM4620



35033

**Hydraulic Cylinder (810-838C) Red Lion**

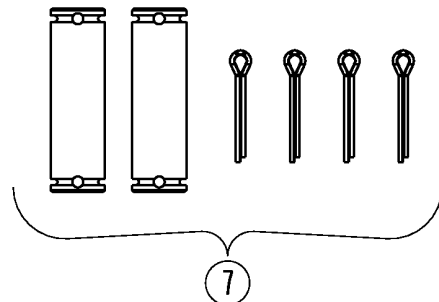
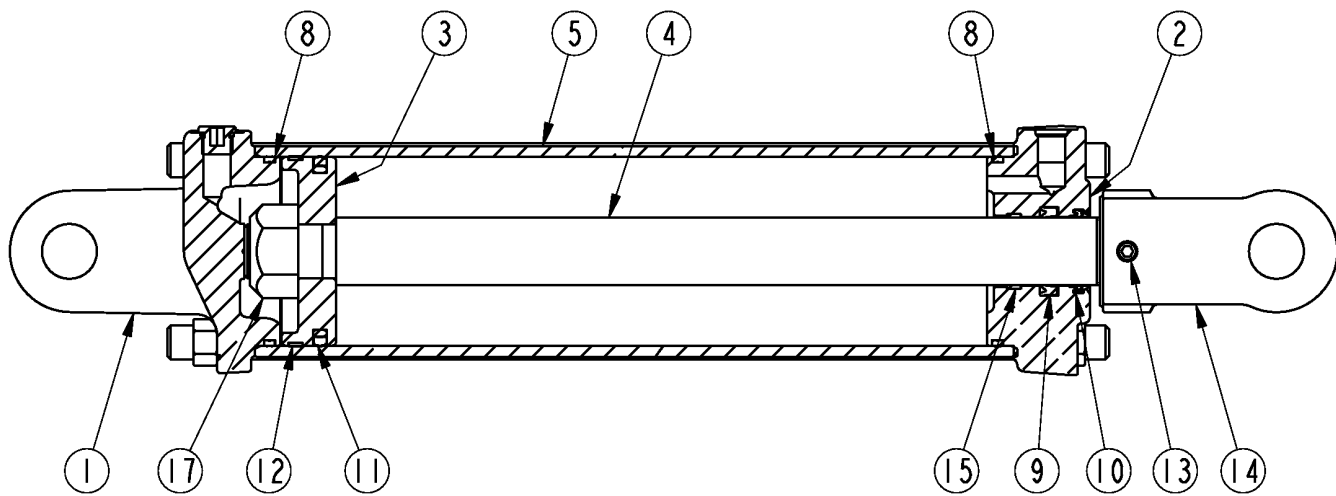
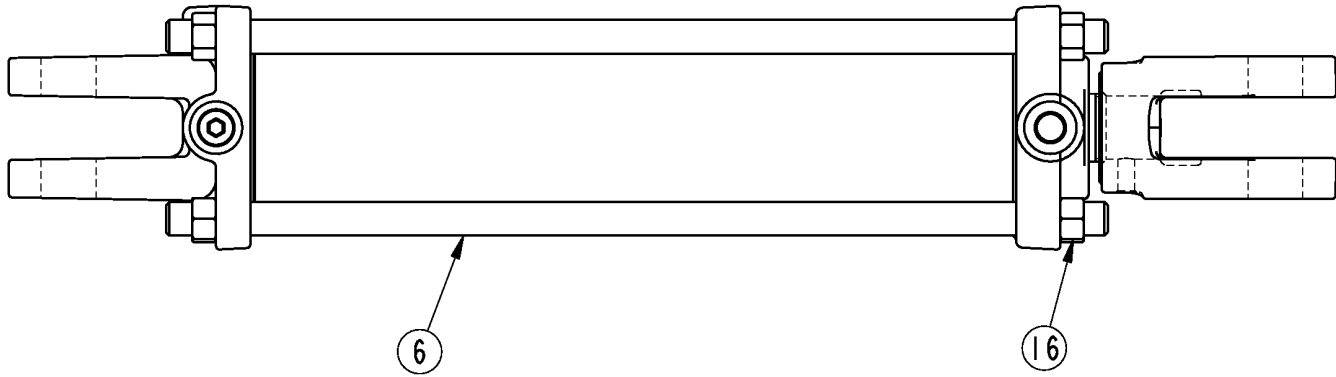
---

**Applies to RC4620, RCM4620**

<b>Ref</b>	<b>Part No.</b>	<b>Part Description</b>	<b>Comments</b>	<b>Revision</b>
	Dwg 35033	Drawing Image Number		
	810-838C	CYL 3X12X1.25 ROD (TIE ROD) *		
1.	803-020C	NUT HEX 1/2-13 PLT		
2.	130560	MON PISTON NUT		
3.	148000	MON SET SCREW 3/8INC ONE PIECE		
4.	258821	MON PISTON 3.00-1.0-TSS-ISO-WR		
5.	491742	MON CYL TUBE		
6.	492282	MON TIE ROD		
7.	492652	LION ROD CLEVIS 1 1/4 (1PIN)		
8.	492721	LION CLEVIS CAP 3.0-9/16 ORB		
9.	492870	MON CYL ROD		
10.	494383	MON ROD CAP3.00-1.25-9/16ORBTS		
11.	649206	MON SEAL KIT KR30WR-125 TSS		

# Hydraulic Cylinder (850-327C) Monarch

Applies to RC4620, RCM4620



72217

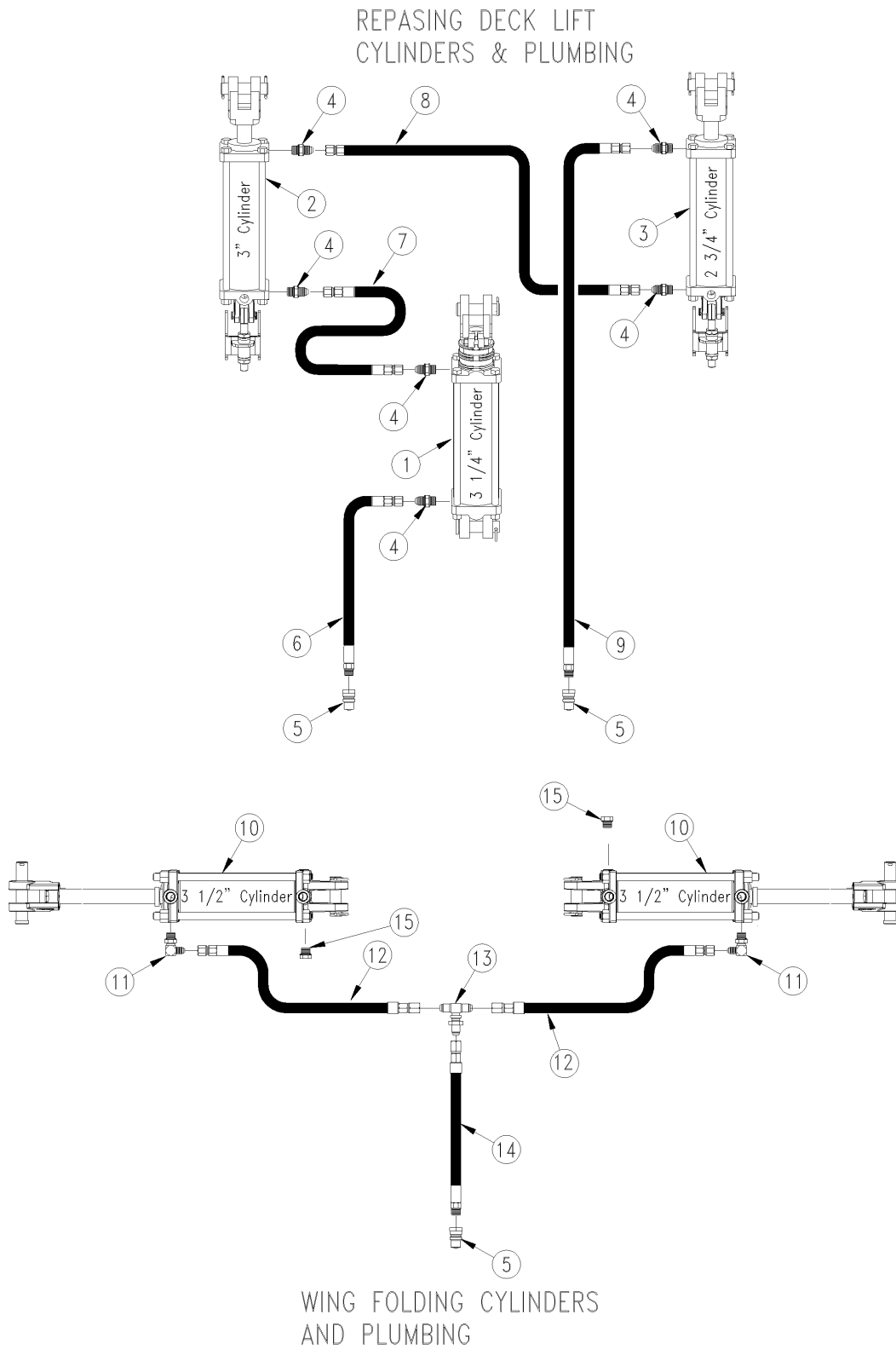


***Hydraulic Cylinder (850-327C) Monarch*****Applies to RC4620, RCM4620**

<b>Ref</b>	<b>Part No.</b>	<b>Part Description</b>	<b>Comments</b>	<b>Revision</b>
	Dwg 72217 850-327C	Image No. CYL 3.5X12X1.25ROD (TIE ROD) *		
1.	492833	LION CLEVIS CAP 3.5-16 ORB		
2.	494404	MON ROD CAP3.5-1.25-9/16ORB-TS		
3.	258827	MON PISTN 3.50-1.00-TSS-ISO-WR		
4.	492870	MON CYL ROD		
5.	491802	MON TUBE CYL 3.50-12		
6.	492342	MON TIE ROD 5/8-12		
7.	235005	MON PIN KIT 1.00C/W COTTER PIN		
8.	199141	MON SEAL DUAL 3.50		
9.	194016	MON SEAL ZURCON U-CUP RU9 1.25		
10.	199157	MON SEAL WIPER 1.25 WNUC TSS		
11.	197066	MON SEAL ZURCON WYNSEAL3.50-IS		
12.	190188	MON WEAR RING 3.50-3.38-0.250		
13.	148000	MON SET SCREW 3/8INC ONE PIECE		
14.	493830	LION HARDENED ROD CLEVIS 1 1/4		
15.	190131	MON WEAR RING 1.37-1.25-0.250		
16.	803-022C	NUT HEX 5/8-18 PLT		
17.	130560	MON PISTON NUT		

# Hydraulic Cylinder Plumbing Components

Applies to RC4620, RCM4620

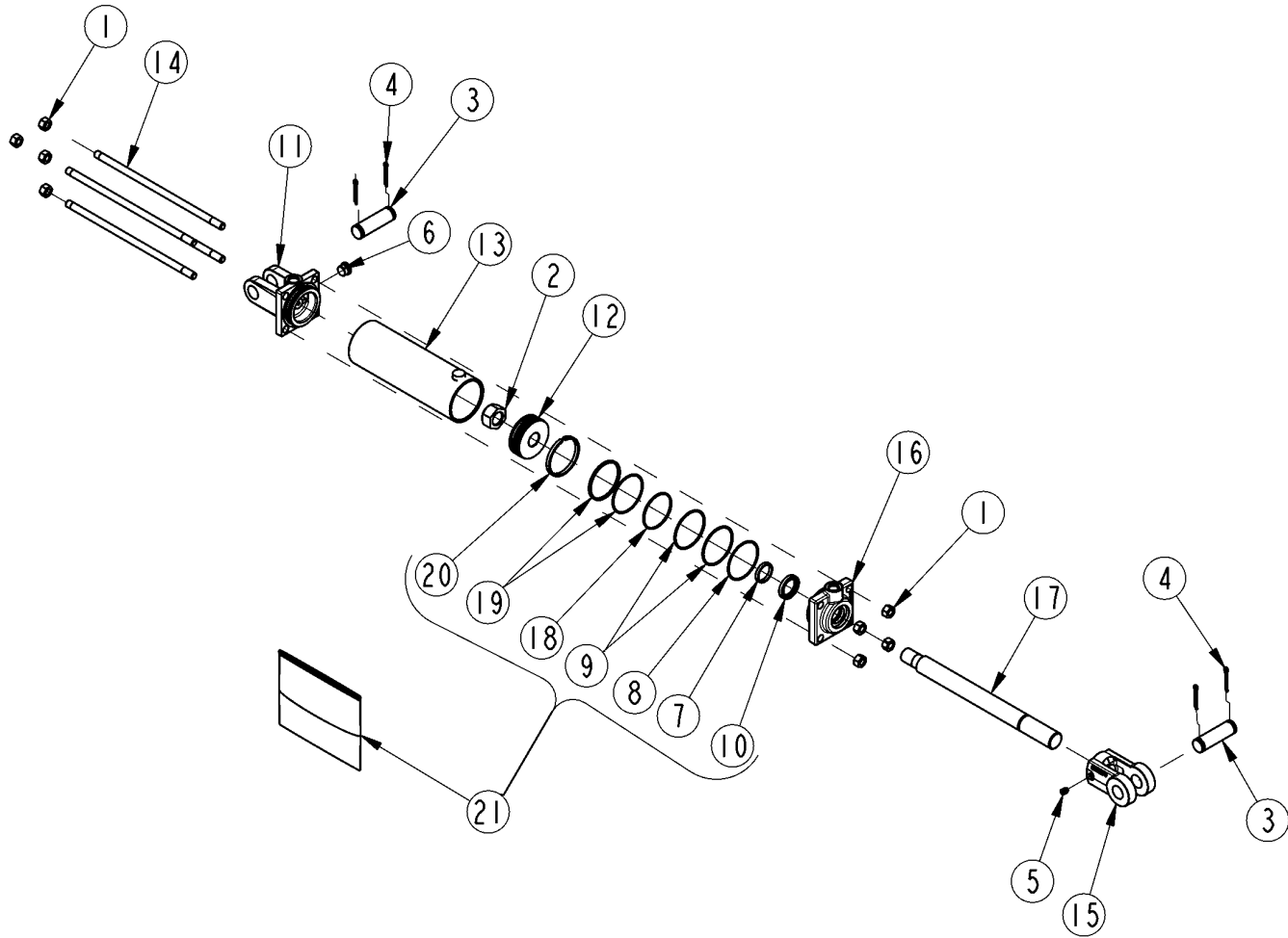


**Hydraulic Cylinder Plumbing Components****Applies to RC4620, RCM4620**

Ref	Part No.	Part Description	Comments	Revision
	Dwg 33805	Drawing Image Number		
1.	810-831C	CYL REP 3.25X8X1.25 ROD (TIE)		
2.	810-632C	REP CYL 3X8X1.25 ROD (TIE)		
3.	810-738C	CYL REP 2.75X8X1.13 ROD (TIE)		
4.	811-088C	AD 3/4MORB 3/4MJIC		
5.	811-394C	CP 3/4FORB MALE QD POPPET TYPE		
6.	841-654C	HH3/8R1 228 3/4MORB 3/4FJIC		
7.	811-142C	HH3/8R1 114 3/4FJIC		
8.	841-605C	HH3/8R1 234 3/4FJIC		
9.	841-606C	HH3/8R1 288 3/4MORB 3/4FJIC		
10.	850-327C	CYL 3.5X12X1.25ROD (TIE ROD)	S/N 1341266+	
10.	810-362C	RPBY 850-327C	S/N 1058900 to S/N 1341265 (Obsolete) must grind 1/4" out of the radius of the lug that the base end of the cylinder attaches to if your machine is under S/N 1058900	
10.	810-838C	CYL 3X12X1.25 ROD (TIE ROD)	S/N 1058899-	
11.	811-337C	OREL 1/16 9/16MJIC 9/16MORB		
12.	811-309C	HH1/4R1 066 9/16FJIC		
13.	811-356C	TE 9/16MJIC BH 9/16MJIC 9/16MJ		
14.	811-238C	HH3/8R1 189 9/16FJIC 3/4MORB		
15.	800-117C	VENT PLUG - 9/16-18 PLATED		

# Hydraulic Cylinder Rephase (810-632C) Monarch

Applies to RC4620, RCM4620



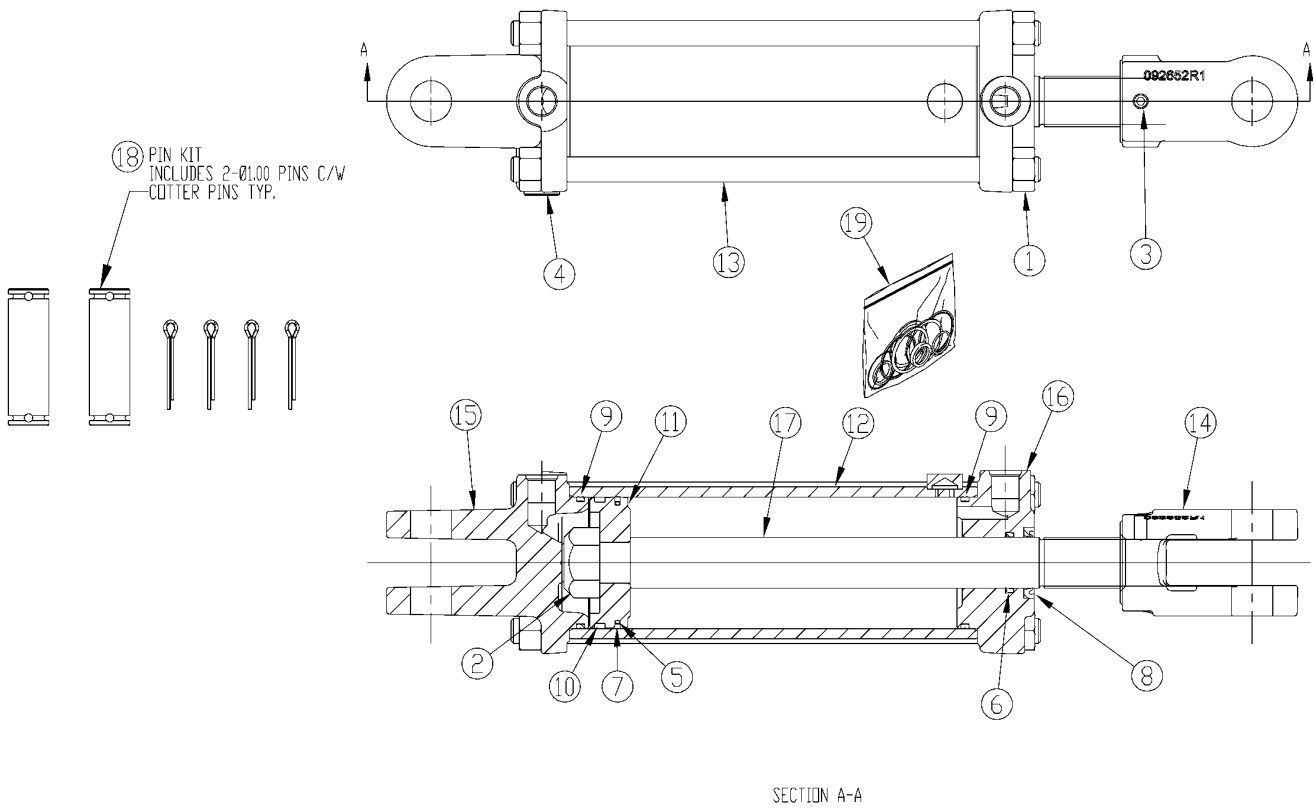
27884

***Hydraulic Cylinder Rephase (810-632C) Monarch*****Applies to RC4620, RCM4620**

<b>Ref</b>	<b>Part No.</b>	<b>Part Description</b>	<b>Comments</b>	<b>Revision</b>
	Dwg 27884 810-632C	Drawing Image Number REP CYL 3X8X1.25 ROD (TIE) *		
1.	803-020C	NUT HEX 1/2-13 PLT		
2.	130560	MON PISTON NUT		
3.	134953	LION PIN		
4.	135995	MON CLEVIS PIN COTTER		
5.	801-023C	SCREW SET SH 3/8-16X3/8 TYPE C		
6.	186562	LION PLUG 3/4-16UNF SOCKET HD		
7.	N/A	MON ROD SEAL	Only in Seal Kit Item 21	
8.	N/A	MON END CAP B/U WASHER	Only in Seal Kit Item 21	
9.	N/A	MON END CAP O-RING	Only in Seal Kit Item 21	
10.	N/A	SEAL WIPER ROD	Only in Seal Kit Item 21	
11.	292675	MON CLEVIS CAP		
12.	294719	MON PISTON		
13.	464265	MON TUBE		
14.	492278	MON TIE ROD		
15.	492652	LION ROD CLEVIS 1 1/4 (1PIN)		
16.	492670	MON ROD CAP		
17.	492700	LION ROD 1.25 DIA. ASAE 8		
18.	N/A	O-RING	Only in Seal Kit Item 21	
19.	N/A	EXPANDER	Only in Seal Kit Item 21	
20.	N/A	WEAR RING	Only in Seal Kit Item 21	
21.	639558	MON REPAIR KIT	Obsolete	

# Hydraulic Cylinder Rephase (810-831C) Red Lion

Applies to RC4620, RCM4620

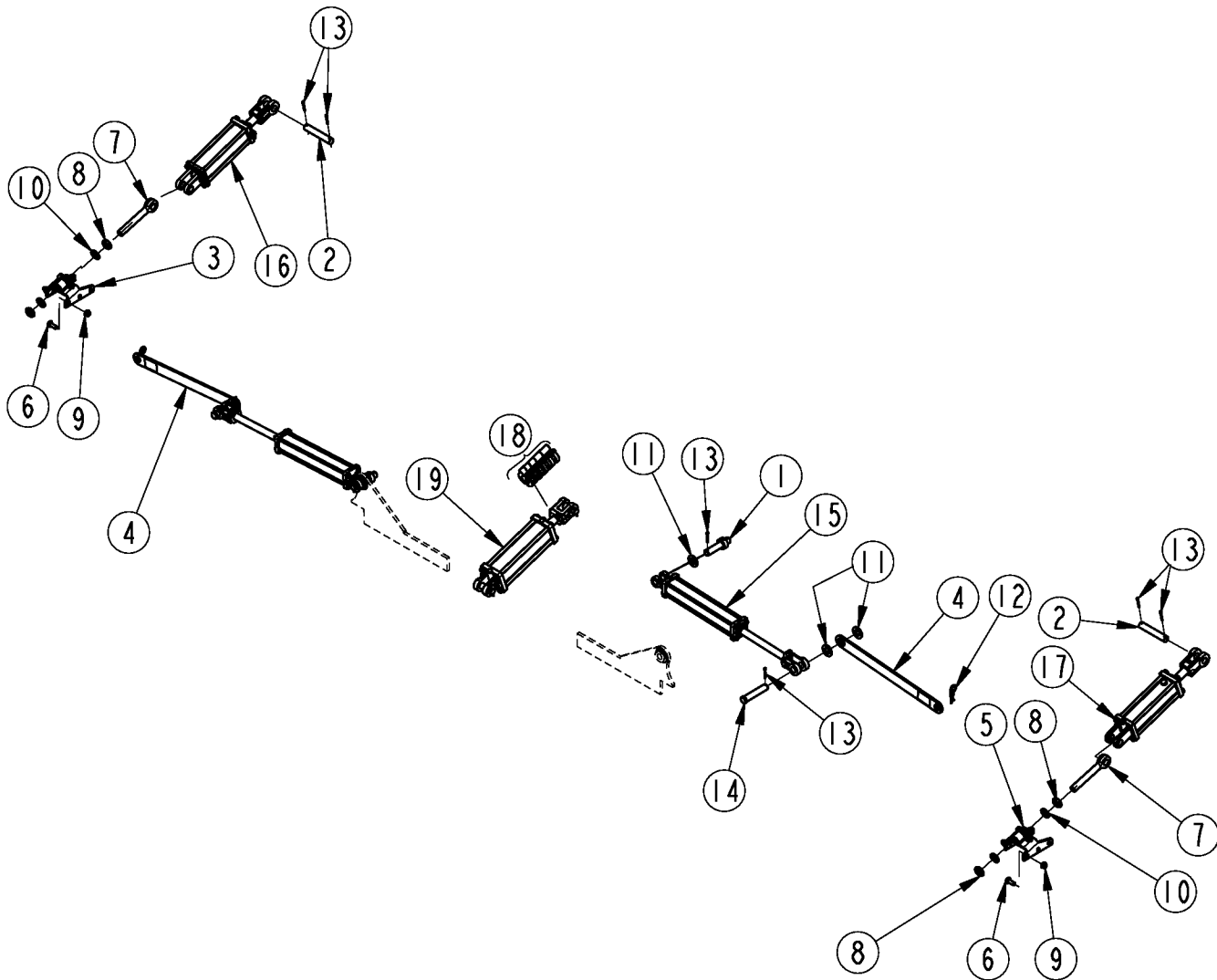


***Hydraulic Cylinder Rephase (810-831C) Red Lion*****Applies to RC4620, RCM4620**

<b>Ref</b>	<b>Part No.</b>	<b>Part Description</b>	<b>Comments</b>	<b>Revision</b>
	Dwg 33230 810-831C	Drawing Image Number CYL REP 3.25X8X1.25 ROD (TIE) *		
1.	803-022C	NUT HEX 5/8-18 PLT		
2.	130560	MON PISTON NUT		
3.	148000	MON SET SCREW 3/8INC ONE PIECE		
4.	186562	LION PLUG 3/4-16UNF SOCKET HD		
5.	N/A	MON SEAL PTFE PISTN RING 3-1/4	Order Seal Kit Item #19	
6.	N/A	MON SEAL HALLITE 605 ROD 1-1/4	Order Seal Kit Item #19	
7.	N/A	MON O RING 149 2-13/16X3 DUR90	Order Seal Kit Item #19	
8.	N/A	MON SEAL WIPER ROD 1.250 METAL	Order Seal Kit Item #19	
9.	N/A	MON SEAL DUAL 3.25	Order Seal Kit Item #19	
10.	N/A	MON WEAR RNG 3.25-3.00-.25-GFN	Order Seal Kit Item #19	
11.	294737	MON PISTON 3.25-1.00-TP		
12.	464266	MON TUBE WELDT 3.25-08.00-TP		
13.	492338	LION TIE ROD 5/8 X 8		
14.	492652	LION ROD CLEVIS 1 1/4 (1PIN)		
15.	492662	MON CLEVIS CAP 3.25-3/4ORB-1.0		
16.	492664	MON ROD CAP 3.25-1.25-3/4ORB		
17.	492700	LION ROD 1.25 DIA. ASAE 8		
18.	235005	MON PIN KIT 1.00C/W COTTER PIN		
19.	639560	MON SEAL KIT 32TP08-125		

# Hydraulic Cylinders W/ Mounting Components

Applies to RC4620, RCM4620



33804

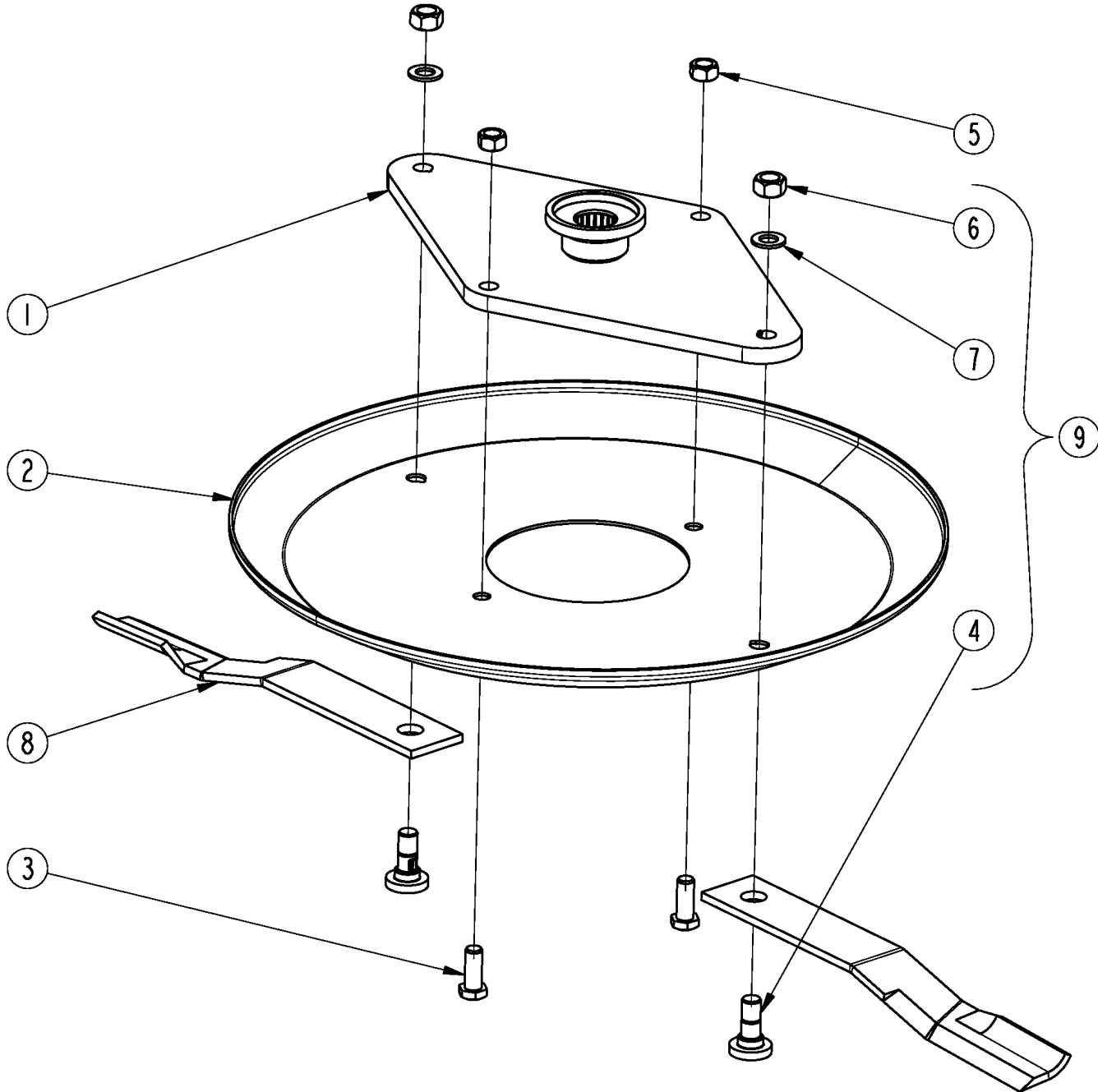


***Hydraulic Cylinders W/ Mounting Components*****Applies to RC4620, RCM4620**

<b>Ref</b>	<b>Part No.</b>	<b>Part Description</b>	<b>Comments</b>	<b>Revision</b>
	Dwg 33804	Drawing Image Number		
1.	318-018H	WLDMT. CYLINDER PIN		
2.	330-567D	PIN 1 OD X 5.13 USABLE		
3.	330-788H	MOUNT REPH CYL ADJ RH		
4.	330-876S	TRANSPORT BAR W/ DECALS		
5.	330-982H	MOUNT REPH CYL ADJ LH		
6.	802-106C	RHSNB 1/2-13X1 1/2 GR5		
7.	802-754C	EYE BOLT 1-8X6 1/2 LG PLT SP		
8.	803-030C	NUT HEX JAM 1-8 PLT		
9.	803-037C	NUT HEX WHIZ 1/2-13 PLT		
10.	804-027C	WASHER LOCK SPRING 1 PLT		
11.	804-029C	WASHER FLAT 1 SAE		
12.	805-088C	PIN, HAIR COTTER 3/16 WIRE DIA		
13.	805-104C	PIN COTTER 3/16 X 1 1/2 PLT		
14.	805-131C	PIN CLEVIS 1 X 4 11/16 USABLE		
15.	850-327C	CYL 3.5X12X1.25ROD (TIE ROD)		
15.	810-362C	RPBY 850-327C	S/N 1341266+ S/N 1058900 to S/N 1341265 (Obsolete) must grind 1/4" out of the radius of the lug that the base end of the cylinder attaches to if your machine is under S/N 1058900	
15.	810-838C	CYL 3X12X1.25 ROD (TIE ROD)	S/N 1058899-	
16.	810-632C	REP CYL 3X8X1.25 ROD (TIE)		
17.	810-738C	CYL REP 2.75X8X1.13 ROD (TIE)		
18.	810-818C	STRK CNTRL SPCRS 1.125 TO 1.50		
19.	810-831C	CYL REP 3.25X8X1.25 ROD (TIE)		

# Blade Carrier Components

Applies to RC4620, RCM4620



39217

## **Blade Carrier Components**

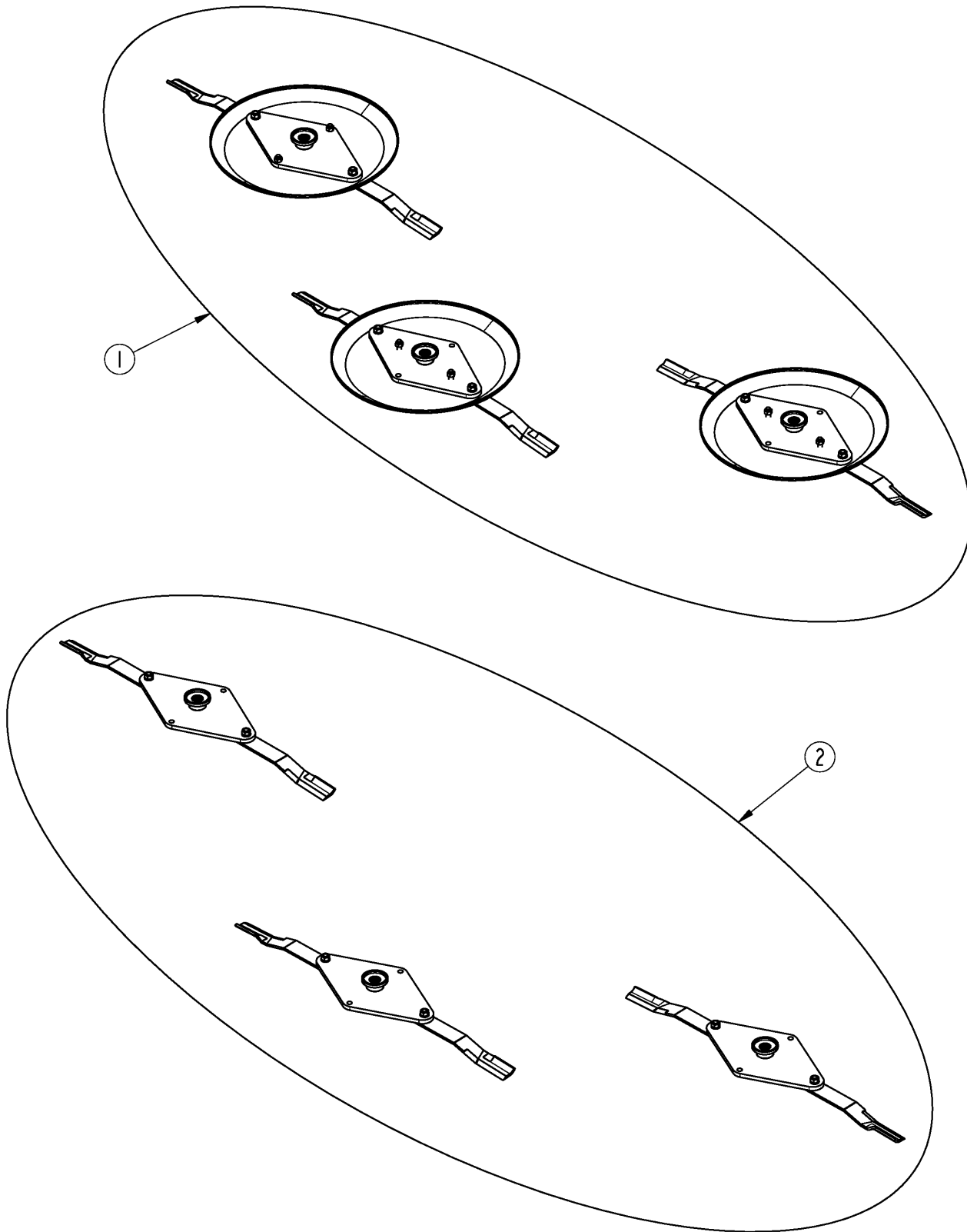
---

**Applies to RC4620, RCM4620**

<b>Ref</b>	<b>Part No.</b>	<b>Part Description</b>	<b>Comments</b>	<b>Revision</b>
	Dwg 39217	Image No.		
1.	318-871H	BLD PLT DSHPN WMT 31C/C		
2.	330-482D	DISHPAN 31" CENTER		
3.	802-096C	HHCS 1-8X2 1/2 GR5		
4.	802-277C	BLD BLT 1 1/8-12X3.44 W/.25KEY		
5.	803-168C	NUT HEX TOP LOCK 1-8 PLT		
6.	803-170C	NUT HEX TOP LOCK 1 1/8-12 PLT		
7.	804-147C	WASHER FLAT 1" HARDENED		
8.	820-249C	CUTTER BLADE 1/2X4X29 CW	Center deck & Right hand deck	
8.	820-168C	CUTTER BLADE 1/2X4X29 CCW	Left hand deck	
9.	318-586A	BLADE BOLT KIT		

# Blade Carrier Options

Applies to RC4620, RCM4620



39264

**Blade Carrier Options**

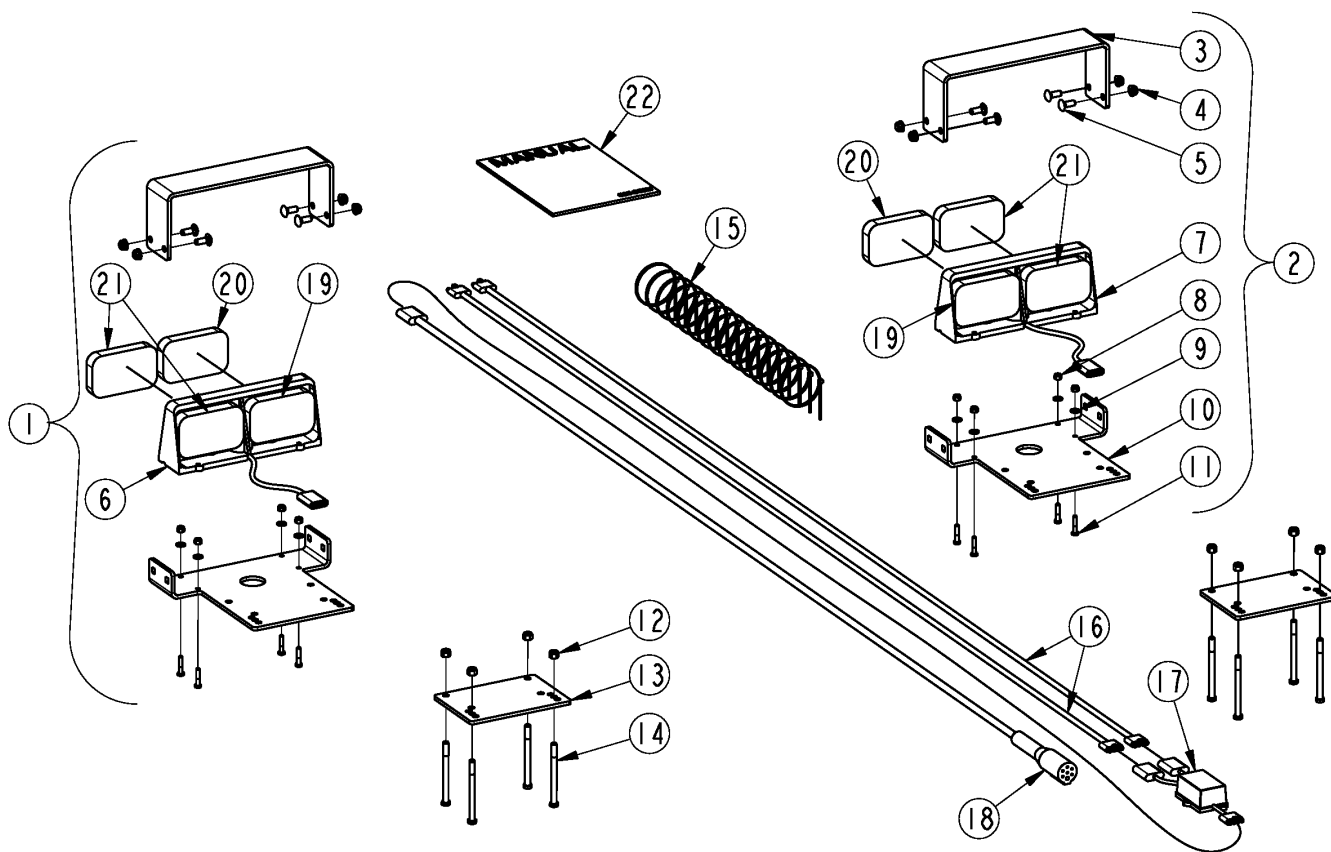
---

**Applies to RC4620, RCM4620**

<b>Ref</b>	<b>Part No.</b>	<b>Part Description</b>	<b>Comments</b>	<b>Revision</b>
	Dwg 39264	Image No.		
1.	331-930A	20' DIAMOND BLADE BAR W/PANS		
2.	331-929A	20' DIAMOND BLADE BAR		

# Lights 3.5 Inch (LED)

Applies to RC4620, RCM4620

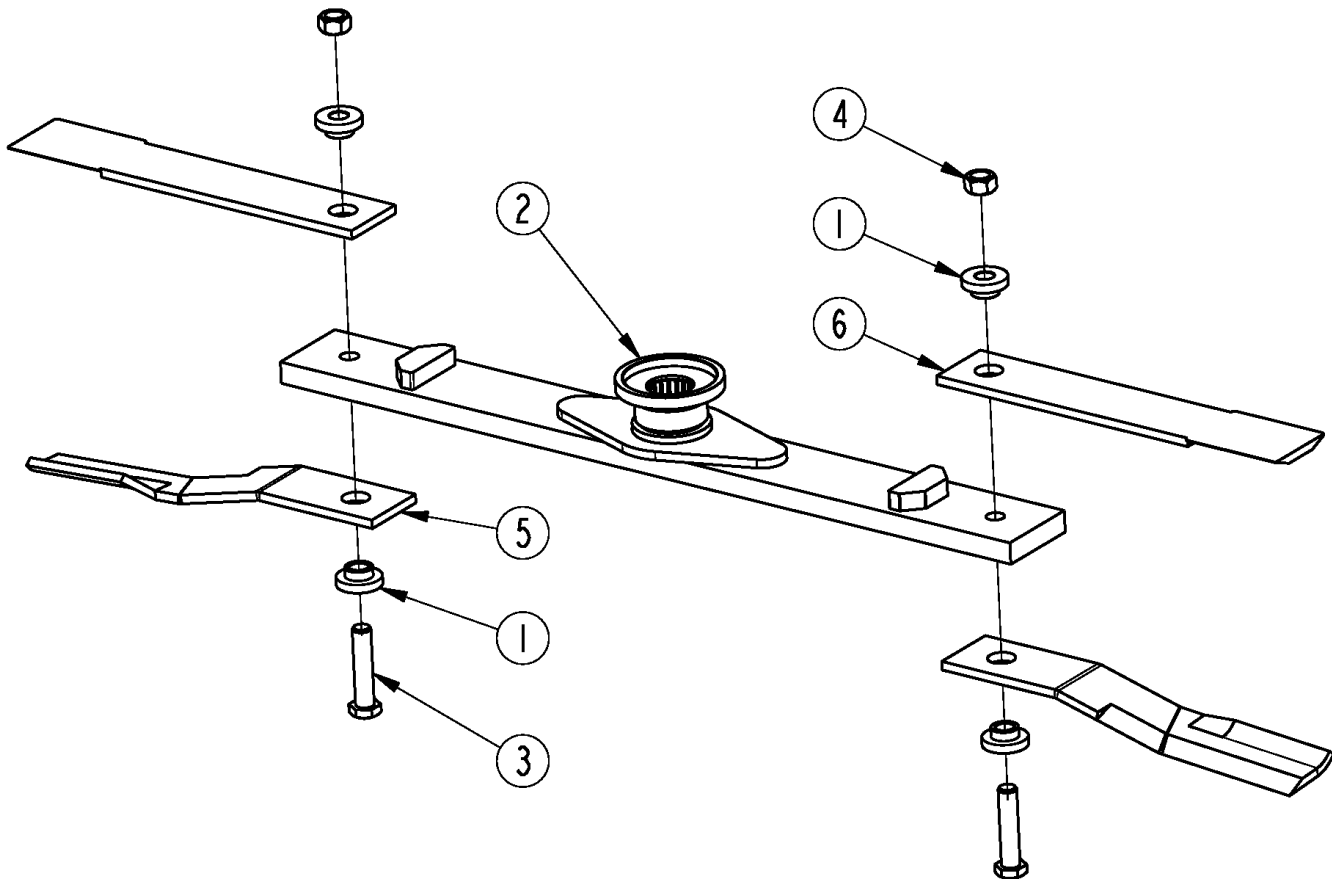


**Lights 3.5 Inch (LED)****Applies to RC4620, RCM4620**

Ref	Part No.	Part Description	Comments	Revision
	Dwg 37671 334-581A	Image No. FOLDING CUTTER LGHT KIT 3.5 LL *	S/N 1150617- Lights were optional	
1.	331-471S	RH LIGHT ASSY	Includes Items 3, 4, 5, 6, 8, 9, 10, & 11	
2.	331-472S	LH LIGHT ASSY	Includes Items 3, 4, 5, 7, 8, 9, 10, & 11	
3.	330-966D	LIGHT GUARD		
4.	803-209C	NUT FLANGE LOCK 3/8-16 PLT		
5.	802-015C	RHSNB 3/8-16X1 GR5		
6.	891-523C	DUAL LED LIGHT RH	Includes items 19, 20, & 21	
7.	891-522C	DUAL LED LIGHT LH	Includes items 19, 20, & 21	
8.	803-255C	NUT HEX NYLOCK 1/4-20		
9.	804-007C	WASHER FLAT 1/4 SAE PLT		
10.	330-965D	LIGHT MNT		
11.	802-224C	HHCS 1/4-20X1 1/4 GR5		
12.	803-078C	NUT LOCK 3/8-16 NYLON INSERT		
13.	330-967D	LIGHT MNT CLAMP		
14.	802-318C	HHCS 3/8-16X5 GR5	S/N 1058900+	
14.	802-027C	HHCS 3/8-16X4 1/2 GR5	S/N 1058899-	
15.	800-060C	CABLE TIE .19X14.25 3DIA 50LB		
16.	891-529C	LIGHT WIRE HARNESS 8'		
17.	891-531C	ENHANCE MODULE		
18.	891-533C	LEAD WIRE HARNESS 13'		
19.	J-AC1-15-B	BLACK LENS COVER	Black lens	
20.	J-37-R	RED LED LENS MODULE	Red lens	
21.	J-37-A	AMBER LED LENS MODULE	Amber lens	
22.	334-574M	ROTARY CUTTER LIGHT KIT MANUAL		

# Shredder Blades

Applies to RC4620, RCM4620



39233



**Shredder Blades**

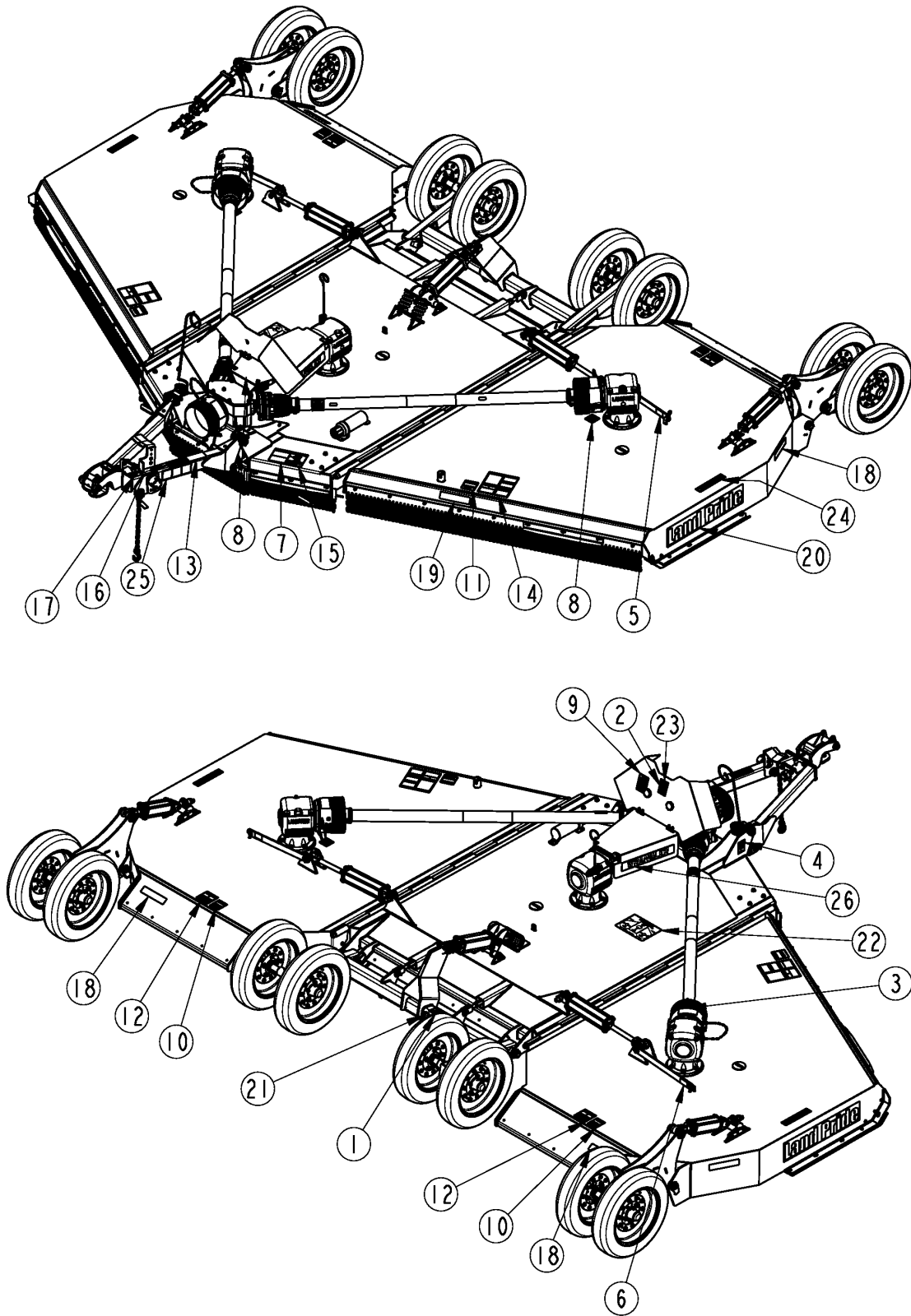
---

**Applies to RC4620, RCM4620**

<b>Ref</b>	<b>Part No.</b>	<b>Part Description</b>	<b>Comments</b>	<b>Revision</b>
	Dwg 39233	Image No.		
1.	318-309D	BLADE BUSHING		
2.	330-227H	BLD BAR WMT 42.5C/C FLAT		
3.	842-344C	HHCS 1-8X4 1/2 GR8 SPTHD		
4.	803-168C	NUT HEX TOP LOCK 1-8 PLT		
5.	820-169C	CUTTER BLADE 1/2X4X23 CCW	Left hand deck	
5.	820-170C	CUTTER BLADE 1/2X4X23 CW	Center deck & Right hand deck	
6.	820-217C	CUTTER BLADE 1/2X4X22.5 FLAT		

**Decals**

Applies to RC4620, RCM4620



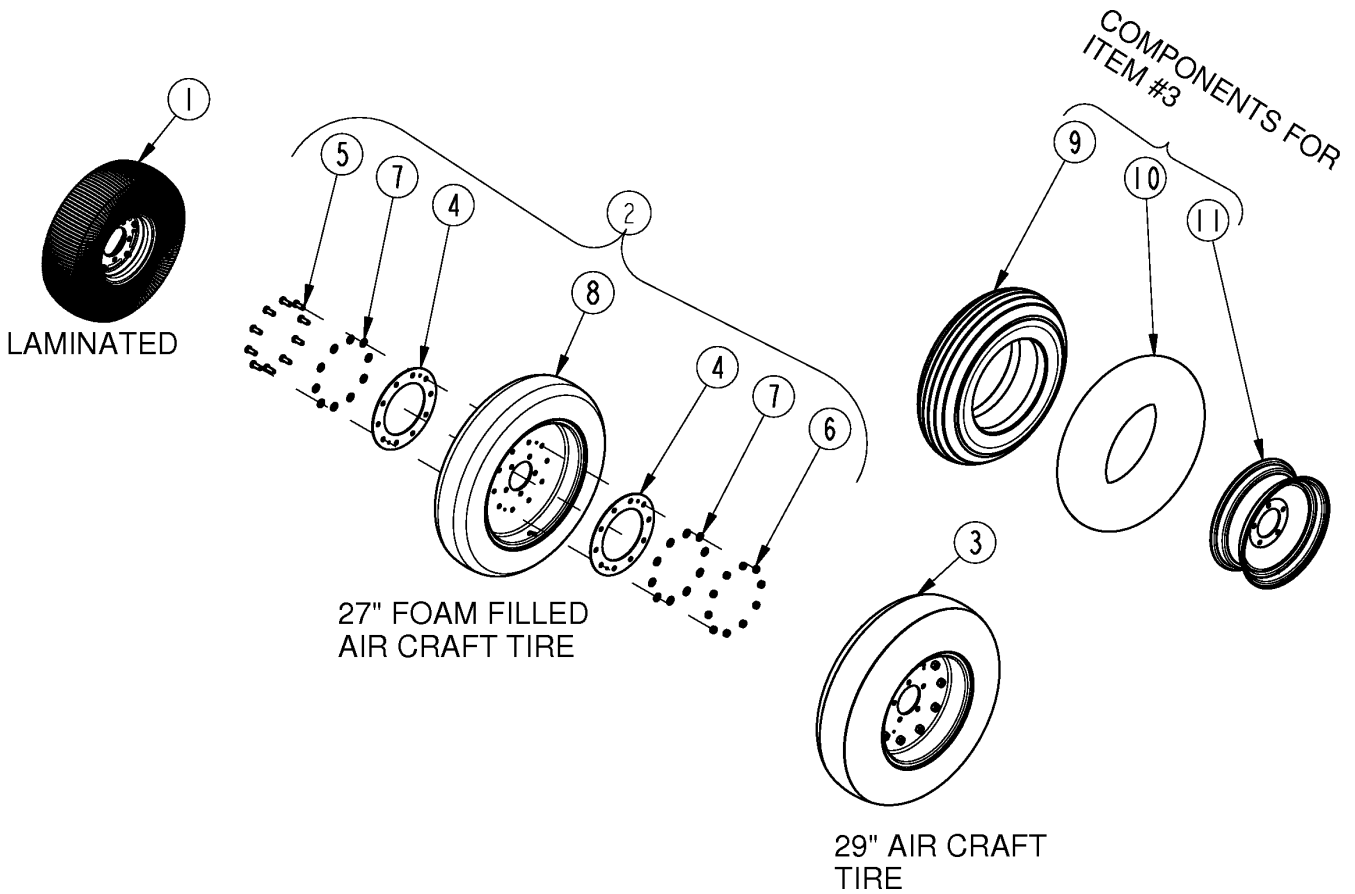
39234

**Decals****Applies to RC4620, RCM4620**

<b>Ref</b>	<b>Part No.</b>	<b>Part Description</b>	<b>Comments</b>	<b>Revision</b>
	Dwg 39234	Image No.		
1.	818-045C	DECAL WARNING PINCH PT/CRUSH		
2.	818-130C	DECAL WARNING 540 RPM	540 RPM	
2.	818-240C	DECAL CAUTION 1000 RPM	1000 RPM	
3.	818-142C	DECAL DANGER PTO DRIVELINE EN		
4.	818-190C	DECAL FLAG		
5.	818-229C	DECAL AMBER REFLECTOR		
6.	818-230C	DECAL RED REFLECTOR		
7.	818-276C	DECAL WARNING OPERATING ANGLE		
8.	818-543C	DECAL DANGER PD GUARD MISS SML		
9.	818-552C	DECAL DANGER PTO DRIVELINE		
10.	818-556C	DECAL DANGER THROWN OBJ CUTTER		
11.	818-561C	DECAL DANGER RAISED WING HAZAR		
12.	818-555C	DECAL DANGER ROTATE BLADE		
12.	818-564C	RPBY 818-555C	Obsolete	
13.	818-714C	DECAL DANGER CRUSHING TWO IMP		
14.	818-830C	DECAL SAFETY COMBO SUNWEST		
15.	818-840C	DECAL DANGER ROLLOVER HAZARD		
16.	838-094C	DECAL WARNING HYD PRESS LONG		
17.	838-588C	FOLDING CUTTER SPEED WARNING		
18.	838-614C	DECAL REFLECTOR RED 2X9		
19.	838-615C	DECAL REFLECTOR AMBER 2X9		
20.	838-959C	DECAL LANDPRIDE 30" GREEN	S/N _____ -	
20.	848-122C	DECAL LANDPRIDE 34" TAN/BROWN	S/N _____ +	
21.	838-965C	DECAL LANDPRIDE 16" BROWN/GOLD		
22.	848-797C	DECAL BLADE ROTATION		
23.	848-872C	DECAL 7 YEAR GEARBOX WARRANTY		
24.	858-325C	DECAL RC4620 GREEN	S/N _____ -	
24.	858-327C	DECAL RC4620 GOLD	S/N _____ +	
24.	858-326C	DECAL RCM4620 GREEN	S/N _____ -	
24.	858-328C	DECAL RCM4620 GOLD	S/N _____ +	
25.	858-381C	DECAL JACK ADJUSTMENT		
26.	858-441C	DECAL, WRANGLER		

# Tire Options

Applies to RC4620, RCM4620



35672

***Tire Options*****Applies to RC4620, RCM4620**

<b>Ref</b>	<b>Part No.</b>	<b>Part Description</b>	<b>Comments</b>	<b>Revision</b>
	Dwg 35672	Drawing Image Number		
1.	814-265C	TIRE & WHL LAM. 6X9X21(5-BOLT)	21" Laminated	
1.	814-673C	TIRE & WHL LAM 6X26 (5-BOLT)	26" Laminated	
2.	330-779S	AC TIRE FF 27X7.75X15 5-BOLT		
3.	814-449C	TIRE, AC 29" 16 PLY 5 BOLT		
4.	330-340D	REINFORCING RING, AC TIRE		
5.	802-580C	HHCS 1/2-13X1 1/4 GR8		
6.	803-019C	NUT LOCK 1/2-13 PLT		
7.	804-016C	WASHER FLAT 1/2 SAE PLT		
8.	814-287C	AC TIRE FF 27X7.75X15 5-BOLT		
9.	814-450C	TIRE H29X9.0X15 USED		
10.	814-451C	TUBE FOR 29X9.0-15		
11.	814-461C	RIM 2PC 5BLT 15X6.5		

***Touch-up Paints - LP***

---

Applies to RC4620, RCM4620

**No diagram associated with this Parts List**

**Touch-up Paints - LP****Applies to RC4620, RCM4620**

<b>Ref</b>	<b>Part No.</b>	<b>Part Description</b>	<b>Comments</b>	<b>Revision</b>
1.	821-011C	LP BEIGE SPRAY CAN	Spray can	
1.	821-011CTU	LP BEIGE TOUCH-UP 5OZ	Touch-up bottle with brush	
1.	821-011CQT	LP BEIGE QUART	Quart can	
1.	821-011CGL	LP BEIGE GALLON	Gallon can	
2.	821-070C	GLOSS BLACK SPRAY CAN	Spray can	
2.	821-070CTU	GLOSS BLACK TOUCH-UP 5OZ	Touch-up bottle with brush	
2.	821-070CQT	GLOSS BLACK QUART	Quart can	
2.	821-070CGL	GLOSS BLACK GALLON	Gallon can	
3.	821-054C	MED. RED SPRAY TRCK/CTR	Spray can	
3.	821-054CTU	MED RED TOUCH-UP 5OZ	Touch-up bottle with brush	
3.	821-054CQT	MED RED QUART	Quart can	
3.	821-054CGL	MED RED GALLON	Gallon can	
4.	821-058C	GREEN SPRAY CUTTERS	Spray can	
4.	821-058CTU	GREEN TOUCH-UP 5OZ	Touch-up bottle with brush	
4.	821-058CQT	GREEN QUART	Quart can	
4.	821-058CGL	GREEN GALLON	Gallon can	
5.	821-066C	ORANGE SPRAY CAN	Spray can	
5.	821-066CTU	ORANGE TOUCH-UP 5OZ	Touch-up bottle with brush	
5.	821-066CQT	ORANGE QUART	Quart can	
5.	821-066CGL	ORANGE GALLON	Gallon can	
6.	821-067C	BLUE SPRAY CAN	Spray can	
6.	821-067CTU	BLUE TOUCH-UP 5OZ	Touch-up bottle with brush	
6.	821-067CQT	BLUE QUART	Quart can	
6.	821-067CGL	BLUE GALLON	Gallon can	
7.	821-080C	PAINT ALUMINUM/ZINC SPRAY CAN	Spray can	
7.	821-080CTU	PAINT ALUMINUM/ZINC TOUCH UP	Touch-up bottle with brush	
7.	821-080CQT	PAINT ALUMINUM/ZINC QUART	Quart can	
7.	821-080CGL	PAINT ALUMINUM/ZINC GALLON	Gallon can	



# Part Number Index

The Part Number Index is a numeric index of all part numbers included in this manual. The index shows what page(s) the part is used on.

Part Number	Page	Part Number	Page	Part Number	Page	Part Number	Page
*	17, 19, 21, 23, 25, 29, 35, 37, 39, 41, 43, 45, 47, 51, 53, 55, 57, 59, 61, 63, 65, 67, 71, 73, 75, 77, 79, 81, 83, 85, 89, 91, 99	180.019.018 .....63	180.019.019 .....49, 63	318-476D .....41, 45	318-478D .....43, 47	330-975H .....19	330-982H .....11, 93
0.121.7101.00	69, 71, 73, 75	180.019.115 .....49, 63	180.019.116.1 .....49, 63	318-556H .....23	318-586A .....95	331-046H .....9	331-087D .....15
0.141.7109.00	69, 71	180.019.340 .....49	186562 .....81, 89, 91	318-834H .....19	318-871H .....95	331-088D .....15	331-089D .....15
0.252.7525.00	69, 71, 73, 75	19-15121 .....57	19-15135 .....55, 59, 61	318-920S .....7	321256 .....53	331-120H .....11	331-168H .....31, 33
0.285.7510.00	69, 71, 73, 75	190.000.016 .....49	190.000.032 .....49	325027 .....51, 53	330-223H .....23, 25	331-332D .....41, 45	331-356D .....9
0.288.7101.00	69, 71, 73, 75	190.000.035 .....63	190.000.047 .....49, 63	330-225A .....25	330-227H .....101	331-471S .....29, 99	331-472S .....29, 99
0.305.0300.01	65, 67	190.000.098 .....63	190.000.098 .....63	330-271H .....19, 21	330-333A .....19	331-496S .....33, 37	331-543D .....21
0.305.1300.00	65, 67	190.000.099 .....63	190.000.243 .....63	330-334A .....23	330-335A .....17	331-561H .....15	331-629H .....15
0.305.2000.00	65, 67	190.000.271 .....63	190.000.920 .....63	330-340D .....105	330-340D .....105	331-812A .....45	331-812A .....45
0.305.3000.00	65, 67	190131 .....85	190188 .....85	330-348H .....17	330-428D .....45	331-833A .....41	331-903H .....7
0.305.5006.00	65, 67	190188 .....85	194016 .....85	330-428D .....45	330-430D .....47	331-903H81 .....7	331-903H82 .....7
0.305.6003.00	65, 67	197066 .....85	199141 .....85	330-431D .....45	330-432D .....45	331-903H83 .....7	331-903H83 .....7
0.709.7500.00	73, 75	199157 .....85	1A1141 .....77	330-432D .....45	330-434D .....47	331-903H86 .....7	331-904H .....7
0.712.7500.00	73, 75	1A1141 .....77	1D0009-1450 .....77	330-434D .....47	330-445D .....41	331-904H81 .....7	331-904H82 .....7
03-15316	55, 57, 59, 61	1D0205-1662 .....77	1D1013-5 .....77	330-446D .....41	330-447D .....43	331-904H82 .....7	331-904H83 .....7
03-15570	55, 57, 59, 61	1D1013-5 .....77	1D1159-7 .....77	330-447D .....43	330-448D .....41	331-904H83 .....7	331-904H86 .....7
044321	51, 53	1D1159-7 .....77	1D1224-7 .....77	330-449D .....43	330-449D .....43	331-904H86 .....7	331-905H .....11
087276	51, 53	1D1224-7 .....77	1D1401-350 .....77	330-482D .....95	330-522D .....11	331-905H81 .....11	331-905H82 .....11
097133	51, 53	1D1401-350 .....77	1D1551-16300 .....77	330-522D .....11	330-526D .....11	331-905H82 .....11	331-905H83 .....11
097140	51, 53	1M6010 .....79	1M6010 .....79	330-526D .....11	330-528D .....11	331-905H83 .....11	331-905H86 .....11
1.181.7101.00	69, 71, 73, 75	200-001D .....35, 37, 39	200-001D .....35, 37, 39	330-528D .....11	330-529D .....11	331-905H86 .....11	331-906H .....11
11-14988	55, 59, 61	235005 .....81, 85, 91	235005 .....81, 85, 91	330-529D .....11	330-563D .....19	331-906H81 .....11	331-906H82 .....11
11-15180	55, 59, 61	258821 .....83	258821 .....83	330-563D .....19	330-564D .....19	331-906H82 .....11	331-906H83 .....11
123.386.184.01	63	258827 .....85	26-13387 .....61	330-564D .....19	330-567D .....33, 93	331-906H83 .....11	331-906H86 .....11
123.486.338.01	63	26-13387 .....61	26-15120 .....55, 57, 59	330-567D .....33, 93	330-615S .....33	331-907H .....11	331-907H81 .....11
13-10021	57	26-15120 .....55, 57, 59	26-16033 .....55, 57, 59, 61	330-615S .....33	330-616H .....33	331-907H82 .....11	331-907H83 .....11
13-10022	57	292675 .....89	292675 .....89	330-616H .....33	330-661D .....9	331-907H86 .....11	331-908H .....11
13-15249	57	294719 .....89	294719 .....89	330-661D .....9	330-662D .....9	331-908H81 .....11	331-908H82 .....11
130556	81	294727 .....81	294727 .....81	330-662D .....9	330-662D .....9	331-908H82 .....11	331-908H83 .....11
130560	83, 85, 89, 91	294737 .....91	2A0006 .....79	330-662D .....9	330-662D .....9	331-908H83 .....11	331-908H86 .....11
134953	89	2A0012 .....79	2A0016 .....79	330-662D .....9	330-662D .....9	331-929A .....97	333645 .....51
135995	89	2A0016 .....79	2A0024 .....79	330-662D .....9	330-662D .....9	334-045A .....21	334-046H .....21
141.026.357.1	49	2A0024 .....79	2A0079-616 .....77	330-662D .....9	330-662D .....9	334-048H .....21	334-465H .....33
141.028.195.1	63	2A0079-616 .....77	2A0132 .....79	330-662D .....9	330-662D .....9	334-467S .....33	334-565V .....37, 39
142.283.2489821	63	2A0132 .....79	2A0208 .....79	330-662D .....9	330-662D .....9	334-566S .....31, 39	334-574M .....29, 99
142.286.2499821	63	2A0208 .....79	2A0235-6 .....77	330-662D .....9	330-662D .....9	334-581A .....29, 99	334-593H .....33
142.287.2179821	63	2A0235-6 .....77	2A0236-9 .....77	330-662D .....9	330-662D .....9	334-594H .....33	339107 .....53
146.264.024.1	49	2A0236-9 .....77	2A0308-1 .....77	330-662D .....9	330-662D .....9	355155 .....51, 53	359474 .....51, 53
146.284.020.1	63	2A0308-1 .....77	2A0581-1725 .....77	330-662D .....9	330-662D .....9	362428 .....53	362430 .....51
148000	83, 85, 91	2M5418 .....79	2M5418 .....79	330-662D .....9	330-662D .....9	364915 .....51, 53	365305 .....51, 53
150.281.5257810	63	304011 .....51, 53	304011 .....51, 53	330-662D .....9	330-662D .....9	377437 .....51, 53	
151.016.037.1	49	304046 .....51, 53	312-737D .....43, 47	330-662D .....9	330-662D .....9		
151.016.896.1	49	312-737D .....43, 47	312-942D .....43, 47	330-662D .....9	330-662D .....9		
151.018.016.1	63	312-942D .....43, 47	312209 .....51, 53	330-662D .....9	330-662D .....9		
151.018.228.1	49, 63	312209 .....51, 53	316-096D .....41, 45	330-662D .....9	330-662D .....9		
151.018.241.1	63	316-096D .....41, 45	318-005H .....25	330-662D .....9	330-662D .....9		
151.018.242.1	63	318-005H .....25	318-006H .....23, 25	330-662D .....9	330-662D .....9		
155.150.726	49	318-006H .....23, 25	318-008H .....27	330-662D .....9	330-662D .....9		
159.280.207	63	318-008H .....27	318-018H .....93	330-662D .....9	330-662D .....9		
165.000.548	49, 63	318-018H .....93	318-053L .....23, 25	330-662D .....9	330-662D .....9		
165.000.589	49, 63	318-053L .....23, 25	318-107D .....41, 45	330-662D .....9	330-662D .....9		
170.016.630.1	49	318-107D .....41, 45	318-141H .....9	330-662D .....9	330-662D .....9		
180.014.022	49, 63	318-141H .....9	318-309D .....101	330-662D .....9	330-662D .....9		
180.014.240	63	318-309D .....101	318-358H .....19	330-662D .....9	330-662D .....9		
180.016.780	49	318-358H .....19		330-662D .....9	330-662D .....9		
180.016.790	63			330-662D .....9	330-662D .....9		
180.018.251	63			330-662D .....9	330-662D .....9		
180.018.252	63			330-662D .....9	330-662D .....9		
180.018.393	63			330-662D .....9	330-662D .....9		
180.018.435	63			330-662D .....9	330-662D .....9		
180.018.437	63			330-662D .....9	330-662D .....9		
180.018.581	63			330-662D .....9	330-662D .....9		
180.019.014	49, 63			330-662D .....9	330-662D .....9		



## Table of Contents    Part Number Index



# Part Number Index (continued)

Part Number	Page	Part Number	Page	Part Number	Page	Part Number	Page
377442	53	801-023C	89	804-013C	15, 21	818-555C	103
380371	51, 53	801-229C	33	804-015C	15	818-556C	103
387768	51	802-005C	7	804-016C	33, 105	818-561C	103
388957	53	802-007C	9	804-017C	7	818-564C	103
389850	53	802-015C	29, 41, 43, 45, 47, 99	804-025C	19, 23, 25, 27	818-714C	103
39-10039	57	802-022C	11	804-027C	11, 15, 93	818-830C	103
390257	53	802-027C	29, 99	804-028C	15, 19	818-840C	103
391409	51	802-053C	17, 19, 21, 23, 25	804-029C	7, 15, 33, 93	82-26654	57
391410	51	802-065C	9, 13	804-036C	9	820-168C	95
3M5410	79	802-070C	19	804-055C	35, 37, 39	820-169C	101
464264	81	802-074C	19	804-147C	95	820-170C	101
464265	89	802-075C	21	804-171C	19, 21	820-217C	101
464266	91	802-079C	21	805-045C	23, 25	820-249C	95
491742	83	802-082C	33	805-058C	31, 33	821-011C	107
491802	85	802-089C	7	805-083C	23, 25, 27	821-011CGL	107
492180	81	802-096C	15, 95	805-088C	93	821-011CQT	107
492278	81, 89	802-099C	31, 33, 37, 39	805-104C	7, 33, 93	821-011CTU	107
492282	83	802-106C	11, 15, 93	805-105C	19, 21	821-054C	107
492338	91	802-143C	15	805-109C	27	821-054CGL	107
492342	85	802-155C	11, 15	805-131C	7, 93	821-054CQT	107
492650	81	802-205C	19	805-246C	35, 37, 39	821-054CTU	107
492652	83, 89, 91	802-224C	29, 99	805-249C	15	821-058C	107
492660	81	802-277C	95	805-548C	15	821-058CGL	107
492661	81	802-287C	7	807-023C	9	821-058CQT	107
492662	91	802-314C	9	807-073C	7	821-058CTU	107
492664	91	802-318C	29, 99	807-271C	7	821-066C	107
492670	89	802-377C	7	807-372C	33	821-066CGL	107
492700	89, 91	802-416C	33	810-146C	77	821-066CQT	107
492721	83	802-456C	7	810-149C	79	821-066CTU	107
492833	85	802-466C	11	810-362C	77, 79, 87, 93	821-067C	107
492870	83, 85	802-580C	105	810-632C	87, 89, 93	821-067CGL	107
493830	85	802-729C	23	810-738C	81, 87, 93	821-067CQT	107
494383	83	802-754C	11, 93	810-818C	93	821-067CTU	107
494404	85	802-779C	35, 37, 39	810-831C	87, 91, 93	821-070C	107
4M5102	79	802-877C	23, 25	810-838C	83, 87, 93	821-070CGL	107
4M5108	79	802-900C	9	811-088C	87	821-070CQT	107
55051-1817	55, 59, 61	803-013C	15	811-142C	87	821-070CTU	107
5M5120	79	803-014C	15	811-238C	87	821-080C	107
639558	89	803-019C	31, 33, 37, 39, 105	811-309C	87	821-080CGL	107
639560	91	803-020C	15, 81, 83, 89	811-337C	87	821-080CQT	107
649206	83	803-022C	85, 91	811-356C	87	821-080CTU	107
68810-1003	55, 57	803-029C	35, 37, 39	811-394C	87	822-020C	35, 37, 39
68810-1004	59	803-030C	11, 93	814-265C	105	822-021C	35, 37, 39
68810-1005	61	803-031C	15	814-287C	105	822-033C	35, 37, 39
6M5152	79	803-037C	7, 11, 93	814-449C	105	822-034C	35, 37, 39
702352	51, 53	803-075C	27	814-450C	105	826-112C	9, 53
7M5320	79	803-078C	29, 99	814-451C	105	826-247C	9, 51
8.0.9.00079	69, 71, 73, 75	803-123C	11	814-461C	105	826-316C	9, 75
8.0.9.00143	65, 67, 69, 71, 73, 75	803-147C	7	814-673C	105	826-486C	9, 13, 73, 75
8.0.9.01090	69, 71, 73, 75	803-168C	7, 15, 19, 95, 101	815-242C	35, 37, 39	826-587C	53
8.1.1.00109	65, 67	803-169C	33	815-243C	35, 37, 39	826-603C	51
8.1.1.00501	69, 71, 73, 75	803-170C	95	815-381C	33	826-626C	9, 73
8.2.2.00560	69, 71, 73, 75	803-177C	9	815-383C	31	826-643C	9, 59
8.4.7.01045	69, 71, 73, 75	803-181C	19	815-387C	33	826-644C	9, 55
8.4.7.02265	69, 71, 73, 75	803-198C	11, 41, 43, 45, 47	815-491C	39	826-645C	9, 61
8.5.1.00533	69, 71, 73, 75	803-201C	21	815-509C	37	826-708C	9, 67
8.5.2.00332	69, 71, 73, 75	803-209C	9, 29, 99	816-481C	7	826-709C	9, 65
8.5.2.01772	65, 67	803-255C	7, 29, 99	816-497C	35	826-793C	9, 57
8.6.5.00006	69, 71, 73, 75	803-258C	19, 21, 23, 25	816-835C	37, 39	826-819C	13, 63
8.6.6.00088	65, 67	803-265C	27	817-259C	9	826-820C	9, 49
8.6.6.00201	65, 67	803-299C	13	818-045C	103	826-840C	13
8.6.6.02901	69, 71	803-301C	19, 21	818-130C	103	826-841C	13, 71
8.7.1.02348	65, 67, 69, 71	803-304C	17, 19, 21, 23, 25	818-142C	103	83-26656	57
8.7.1.02349	69, 71, 73, 75	803-310C	35, 37, 39	818-190C	103	837-066C	9, 13
8.7.3.00331	73, 75	803-381C	31, 33	818-229C	103	837-079C	9
800-001C	11, 15, 19, 21, 33	804-007C	7, 29, 99	818-230C	103	838-094C	103
800-060C	29, 99	804-009C	9, 13	818-240C	103	838-588C	103
800-073C	31, 33	804-010C	9, 13	818-276C	103	838-614C	103
800-080C	35, 37, 39	804-011C	15	818-540C	51, 53	838-615C	103
800-117C	87			818-543C	103	838-959C	103
				818-552C	51, 53, 103	838-965C	103



# Part Number Index (continued)

<u>Part Number</u>	<u>Page</u>	<u>Part Number</u>	<u>Page</u>
840-273C	7, 11	Dwg 35672	105
841-605C	87	Dwg 37507	63
841-606C	87	Dwg 37508	49
841-654C	87	Dwg 37671	29, 99
842-243C	9, 13	Dwg 37676	35
842-344C	101	Dwg 37911	55
842-460C	21	Dwg 37912	61
848-122C	103	Dwg 37916	59
848-797C	103	Dwg 39217	95
848-872C	103	Dwg 39218	7
850-327C	85, 87, 93	Dwg 39219	9
851-348C	81	Dwg 39220	11
858-325C	103	Dwg 39221	13
858-326C	103	Dwg 39222	27
858-327C	103	Dwg 39223	31
858-328C	103	Dwg 39224	33
858-381C	103	Dwg 39225	45
858-441C	103	Dwg 39228	41
890-175C	41, 45	Dwg 39230	47
890-182C	15	Dwg 39231	43
890-341C	41, 45	Dwg 39233	101
890-400C	43, 47	Dwg 39234	103
890-806C	23	Dwg 39261	69
890-836C	21	Dwg 39262	71
890-850C	21	Dwg 39264	97
890-862C	19	Dwg 39277	15
891-177C	31, 33	Dwg 39286	21
891-522C	29, 99	Dwg 70721	37, 39
891-523C	29, 99	Dwg 70947	57
891-524C	15	Dwg 72217	85
891-529C	29, 99	J-37-A	29, 99
891-531C	29, 99	J-37-R	29, 99
891-533C	29, 99	J-AC1-15-B	29, 99
90-24406	59	N/A	33, 77, 79, 81, 89, 91
90-26654	57	N/A	15
91-24406	59	U0.125.0531.00	69, 71, 73, 75
91-25023	55	U0.125.1301.00	73, 75
92-24406	55, 59	U0.125.1303.00	69, 71
92-25075	61	U0.125.2050.00	69, 71, 73, 75
93-24406	59	U0.125.3002.00	69, 71, 73, 75
93-25023	55, 57	U0.125.5003.00	73
93-25075	61	U0.125.5004.00	69, 71
94-26654	57	U0.125.5005.00	75
96-24406	55, 59	U0.125.6003.00	73
96-25075	61	U0.125.6004.00	75
97-24406	59	U0.125.7100.00	69, 71, 73, 75
97-25023	55		
97-25075	61		
98-24406	55, 59		
98-25075	61		
98-26654	57		
99-24406	55, 57, 59, 61		
A.709.500	65, 67, 69, 71		
A.712.500	69, 71		
Dwg 15704	77, 79		
Dwg 18548	53		
Dwg 18549	51		
Dwg 21167	73		
Dwg 21771	75		
Dwg 26557	25		
Dwg 26568	17		
Dwg 26569	19		
Dwg 26570	23		
Dwg 27884	89		
Dwg 33230	91		
Dwg 33804	93		
Dwg 33805	87		
Dwg 33806	67		
Dwg 33807	65		
Dwg 33905	81		
Dwg 35033	83		

***This Page Intentionally Left Blank***



Great Plains Manufacturing, Inc.

Corporate Office: P.O. Box 5060  
Salina, Kansas 67402-5060 USA

[www.landpride.com](http://www.landpride.com)

---