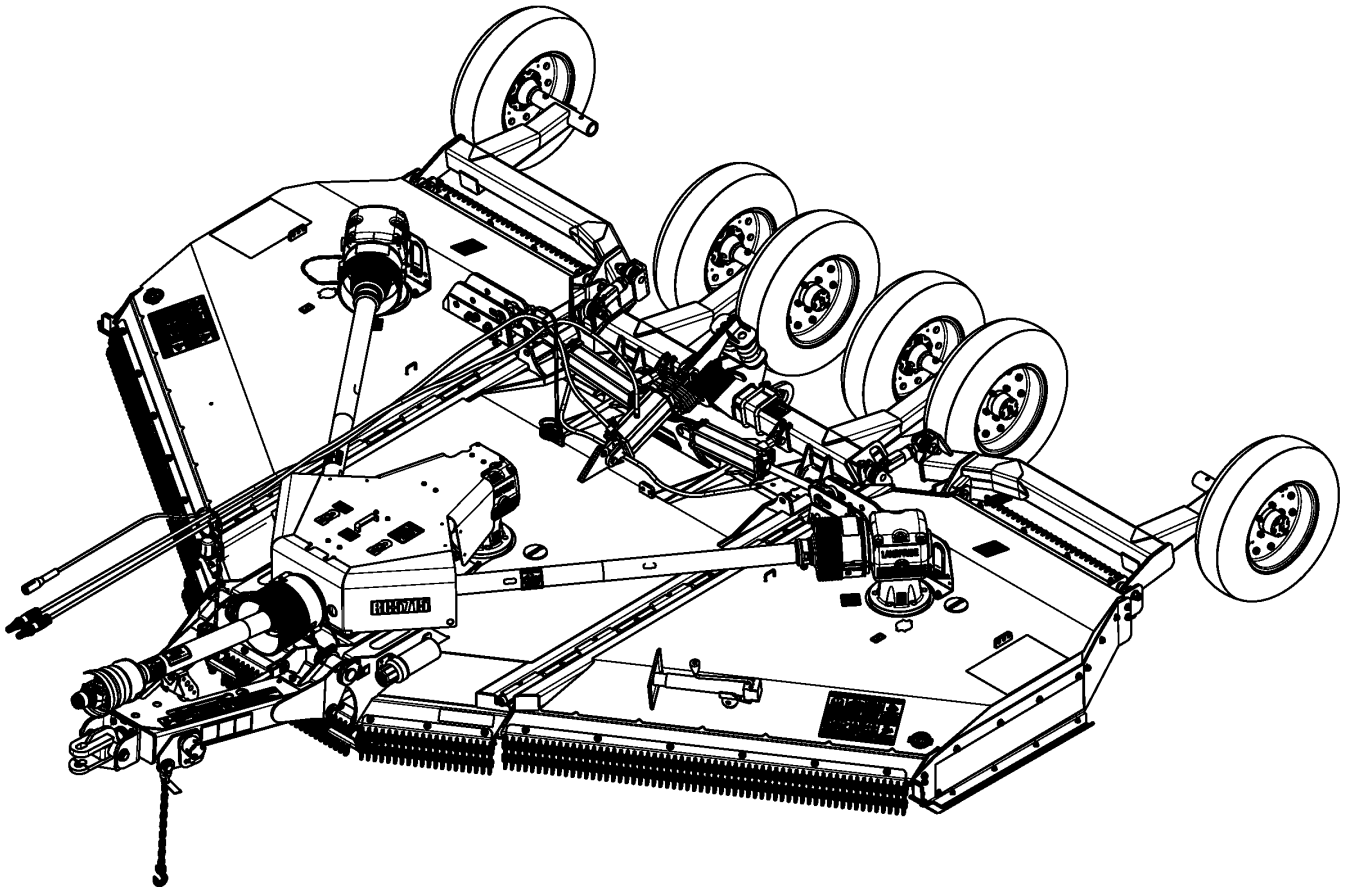


# Rotary Cutters

---

RC(M)5715



74121

## 331-431P Parts Manual



Read the Operator's Manual entirely. When you see this symbol, the subsequent instructions and warnings are serious - follow without exception. Your life and the lives of others depend on it!

© Copyright 2020 Printed 09/21/20

Cover photo may show optional equipment not supplied with standard unit.





# Table of Contents

**Section 1: Introduction.....4**  
 Using This Manual.....4  
 Manual Replacement Information.....4  
 Manual Revisions.....4  
 Touch-up Paint.....4  
 Hardware Legend.....5  
 Replacement Hardware.....5  
 Serial Numbers.....5  
 Part Number Service Coding.....5

**Section 2: Decks and Hitches.....6**  
 Blade Carrier - Bolt-on Forged & Heavy Duty Dishpans.....6  
 Blade Carrier - Shredder Blade Kit.....8  
 Deck Center Components.....10  
 Deck Center Drive Components.....12  
 Deck Center Sliding Shield & Mount.....14  
 Deck Wing Components.....16  
 Deck Wing Drive Components.....20  
 Hitch A-Frame.....22  
 Hitch Ball Coupler.....24  
 Hitch Bar-Tite.....26  
 Hitch Constant Level Clevis.....28  
 Hitch Constant Level Pintle.....30  
 Hitch LP Performance.....32  
 Leveling Rods & Wing Turnbuckles.....34  
 Light Assembly.....36  
 Manual Tube.....38

**Section 3: Axles.....40**  
 Axle Center HD Single Suspension.....40  
 Axle Center Independent Suspension.....42  
 Axle Center Parallel Pivot.....44  
 Axle Center Walking Tandem.....46  
 Axle Wings HD Single Suspension.....48  
 Axle Wings Independent Suspension.....50  
 Axle Wings Parallel Pivot.....52  
 Axle Wings Walking Tandem.....54  
 Spindle & HD Hub Assembly (334-616V).....56  
 Tire Options.....58

**Section 4: Guards.....60**  
 Guards Chain Double Row Front.....60  
 Guards Chain Double Row Rear.....62  
 Guards Chain Single Row Front.....64  
 Guards Chain Single Row Rear.....66

**Section 5: Drivelines.....68**  
 Driveline Center (826-818C).....68  
 Driveline CV 1.38 1000 RPM (826-644C).....70  
 Driveline CV 1.38 1000 RPM W/ Overrunning Clutch  
 (826-793C).....72  
 Driveline CV 1.38 540 RPM (826-643C).....74

Driveline CV 1.38 540 RPM W/ Overrunning Clutch  
 (826-884C).....76  
 Driveline CV 1.75 1000 RPM (826-645C).....78  
 Driveline Wing (826-811C).....80  
 Driveline Wing (826-812C).....82

**Section 6: Gearboxes.....84**  
 Gearbox 1000 RPM (826-829C).....84  
 Gearbox 1000 RPM (826-830C).....86  
 Gearbox 1000 RPM (826-831C).....88  
 Gearbox 1000 RPM (826-871C).....90  
 Gearbox 540 RPM (826-832C).....92  
 Gearbox 540 RPM (826-833C).....94  
 Gearbox Divider 1000 RPM (826-521C).....96  
 Gearbox Divider 540 RPM (826-520C).....98

**Section 7: Hydraulics.....100**  
 Hydraulic Cylinder (810-312C).....100  
 Hydraulic Cylinder (850-218C).....102  
 Lift Hydraulics.....104  
 Wing Fold Dual Acting Cylinders.....106  
 Wing Fold Individual Dual Acting Cylinders.....108  
 Wing Fold Individual Single Acting Cylinders.....110  
 Wing Fold Single Acting Cylinders.....112

**Section 8: Decals.....114**  
 Decal Placement.....114  
 Touch-up Paints - LP.....116

**Section 9: Options & Accessories.....118**  
 Australian Cable Kit.....118  
 Dual Acting Lift Kit.....120  
 Mechanical Winch.....122  
 Single Duplex Accessory.....124  
 SMV Sign.....126  
 Toolbox.....128  
 Tow Lug Bundle.....130

**Part Number Index.....132**

© Copyright 2020. All rights reserved.

Land Pride provides this publication "as is" without warranty of any kind, either expressed or implied. While every precaution has been taken in the preparation of this manual, Land Pride assumes no responsibility for errors or omissions. Neither is any liability assumed for damages resulting from the use of the information contained herein. Land Pride reserves the right to revise and improve its products as it sees fit. This publication describes the state of this product at the time of its publication, and may not reflect the product in the future. The illustrations in this manual are not intended for safe and proper assembly or disassembly of equipment. The illustrations are intended for ordering parts only.

Land Pride is registered trademark.

All other brands and product names are trademarks or registered trademarks of their respective holders.

Printed in the United States of America.



# Alphabetized Table of Contents

<b>A</b>	Australian Cable Kit.....118	Hydraulic Cylinder (850-218C).....102
	Axle Center HD Single Suspension.....40	<b>L</b>
	Axle Center Independent Suspension.....42	Leveling Rods & Wing Turnbuckles.....34
	Axle Center Parallel Pivot.....44	Lift Hydraulics.....104
	Axle Center Walking Tandem.....46	Light Assembly.....36
	Axle Wings HD Single Suspension.....48	<b>M</b>
	Axle Wings Independent Suspension.....50	Manual Tube.....38
	Axle Wings Parallel Pivot.....52	Mechanical Winch.....122
	Axle Wings Walking Tandem.....54	<b>S</b>
<b>B</b>		Single Duplex Accessory.....124
	Blade Carrier - Bolt-on Forged & Heavy Duty	SMV Sign.....126
	Dishpans.....6	Spindle & HD Hub Assembly (334-616V).....56
	Blade Carrier - Shredder Blade Kit.....8	<b>T</b>
<b>D</b>		Tire Options.....58
	Decal Placement.....114	Toolbox.....128
	Deck Center Components.....10	Touch-up Paints - LP.....116
	Deck Center Drive Components.....12	Tow Lug Bundle.....130
	Deck Center Sliding Shield & Mount.....14	<b>W</b>
	Deck Wing Components.....16	Wing Fold Dual Acting Cylinders.....106
	Deck Wing Drive Components.....20	Wing Fold Individual Dual Acting Cylinders.....108
	Driveline Center (826-818C).....68	Wing Fold Individual Single Acting Cylinders.....110
	Driveline CV 1.38 1000 RPM (826-644C).....70	Wing Fold Single Acting Cylinders.....112
	Driveline CV 1.38 1000 RPM W/ Overrunning Clutch	
	(826-793C).....72	
	Driveline CV 1.38 540 RPM (826-643C).....74	
	Driveline CV 1.38 540 RPM W/ Overrunning Clutch	
	(826-884C).....76	
	Driveline CV 1.75 1000 RPM (826-645C).....78	
	Driveline Wing (826-811C).....80	
	Driveline Wing (826-812C).....82	
	Dual Acting Lift Kit.....120	
<b>G</b>		
	Gearbox 1000 RPM (826-829C).....84	
	Gearbox 1000 RPM (826-830C).....86	
	Gearbox 1000 RPM (826-831C).....88	
	Gearbox 1000 RPM (826-871C).....90	
	Gearbox 540 RPM (826-832C).....92	
	Gearbox 540 RPM (826-833C).....94	
	Gearbox Divider 1000 RPM (826-521C).....96	
	Gearbox Divider 540 RPM (826-520C).....98	
	Guards Chain Double Row Front.....60	
	Guards Chain Double Row Rear.....62	
	Guards Chain Single Row Front.....64	
	Guards Chain Single Row Rear.....66	
<b>H</b>		
	Hitch A-Frame.....22	
	Hitch Ball Coupler.....24	
	Hitch Bar-Tite.....26	
	Hitch Constant Level Clevis.....28	
	Hitch Constant Level Pintle.....30	
	Hitch LP Performance.....32	
	Hydraulic Cylinder (810-312C).....100	

# General Information

## Using This Manual

This manual is divided into sections. The first section contains General Information. The remaining sections divide the machine into segments (i.e. Frames, Drives, Hydraulics, etc.) which illustrate and list all parts. A Parts Number Index is located at the back of the book.

The Land Pride parts in this manual are specially designed for this machine and should be replaced with Land Pride parts only.

The information in this manual is current at time of printing. Some parts may change to assure top performance.

Right-hand and left-hand as used in this manual are determined by facing the direction the machine will travel while in use.

Below is an example of two facing pages from a parts manual. Familiarize yourself with the type of information contained on these pages.

## Manual Replacement Information

Replacement manuals are available. Refer to our website at [www.landpride.com](http://www.landpride.com) or e-mail us at [lit@landpride.com](mailto:lit@landpride.com) for additional information. Our website continues to provide the most up-to-date manuals available.

## Touch-up Paint

Repaint parts where paint is worn or scratched to prevent rust. Aerosol cans and touch-up bottles with brush applicator are available through your local dealer. Also available are quart and gallon size paints. Add QT or GL to end of the Aerosol P/N.

Land Pride color descriptions and part numbers are listed on the "Land Pride Touch-up Paints" page in the "Decals" section of this book. Color options vary by product.



## General Information

### Hardware Legend

<b>AR</b>	As Required
<b>BLADE</b>	Blade Bolt
<b>C</b>	Cap Screw
<b>CP</b>	Cotter Pin
<b>CPHSSS</b>	Cup Point Hex Socket Set Screw
<b>CPSHSS</b>	Cup Point Square Head Set Screw
<b>CPSQHSS</b>	Cup Point Square Head Set Screw
<b>CRFCHMS3</b>	Cross Recess Flat Countersunk Head Machine Screw
<b>CRPHMS</b>	Cross Recess Pan Head Machine Screw
<b>CRPHTF</b>	Cross Recess Pan Head Thread Forming
<b>CRRHMS</b>	Cross Recess Round Head Machine Screw
<b>CRTHMS</b>	Cross Recess Truss Head Machine Screw
<b>CSNB</b>	Countersunk Square Neck Bolt
<b>FHMS</b>	Flat Head Machine Screw
<b>FTC</b>	Full Thread Cap Screw
<b>H</b>	Hex Nut
<b>HCLN</b>	Hex Center Lock Nut
<b>HFLCS</b>	Hex Flange Lock Cap Screw
<b>HFS</b>	Hex Flange Screw
<b>HFSLN</b>	Hex Flange Serrated Lock Nut
<b>HFSS</b>	Hex Flange Serrated Screw
<b>HHCS</b>	Hex Head Cap Screw or Metric Bolt
<b>HSBHCS</b>	Hex Socket Button Head Cap Screw
<b>HSFCHCS</b>	Hex Socket Flat Countersunk Head Cap Screw
<b>HSHCS</b>	Hex Socket Head Cap Screw
<b>HSSS</b>	Hex Socket Head Screw
<b>HTLN</b>	Hex Top Lock Nut
<b>HWHCS</b>	Hex Washer Head Cap Screw

<b>HWHMS</b>	Hex Washer Head Machine Screw
<b>HXBHCS</b>	Hex Socket Button Head Cap Screw
<b>J</b>	Hex Jam Nut
<b>JIC</b>	37 Degree Tapered Thread
<b>L</b>	Helical Spring Lock Washer
<b>LUG</b>	Lug Bolt
<b>NFC</b>	National Fine Cap Screw
<b>NPSM</b>	National Pipe Straight Mechanical
<b>NPTF</b>	National Pipe Taper Fuel
<b>P</b>	Wide Plain Washer
<b>PHMS</b>	Pan Head Machine Screw
<b>PLOW</b>	Plow Bolt
<b>RHMS</b>	Round Head Machine Screw
<b>RHSNB</b>	Round Head Square Neck Bolt
<b>SCREW LEVELING</b>	Leveling Screw
<b>SCREW THUMB</b>	Thumb Screw
<b>SCREW WELD</b>	Weld Screw
<b>SFCHMS</b>	Slotted Flat Countersunk Head Machine Screw
<b>SFHMS</b>	Slotted Fillister Head Machine Screw
<b>SP</b>	Special
<b>SP SCREW</b>	Special Screw
<b>SQHSS</b>	Square Head Set Screw
<b>SRHMS</b>	Slotted Round Head Machine Screw
<b>SSS</b>	Socket Set Screw
<b>STCS</b>	Self Tapping Cap Screw
<b>STHMS</b>	Slotted Truss Head Machine Screw
<b>WHEEL</b>	Wheel Studs and Hub Long Bolts
<b>WING</b>	Wing Bolt

### Replacement Hardware

The **Hardware Legend** above lists hardware abbreviations used in the parts list. All bolts and nuts are Grade 5 unless otherwise noted. The use of improper grades of hardware can result in personal injury, damage to equipment, or loss of property.

### Colored Replacement Parts

Land Pride offers replacement parts in factory standard colors and also on select models in Green, Orange, Red and Blue. Because of the variety of colors available, special attention must be given to the part number to prevent ordering the wrong replacement part.

A suffix number corresponding to one of the colors below must be added at the end of Land Pride's part number when ordering a replacement part with that color.

**81 . . . . . Green      83 . . . . . Red**  
**82 . . . . . Orange    84 . . . . . Blue**

For example, if you are ordering a replacement part with part number 555-555C and the part you need is red, then add the suffix 83 to the end of the number to make the part number read 555-555C83. Parts ordered without a suffix number will be supplied in factory standard colors.

### Black Replacement Parts

Some parts are factory standard black and some must be special ordered black. If your part is special ordered black, a second part number with the additional suffix number 85 on the end will be available. In this situation you must order that part with the suffix number for it to be black. Parts that are factory standard black will not have the suffix number.

### Part Number Service Coding

Within the parts list some part numbers are coded for revisions and interchangeability. See notations in revision column.

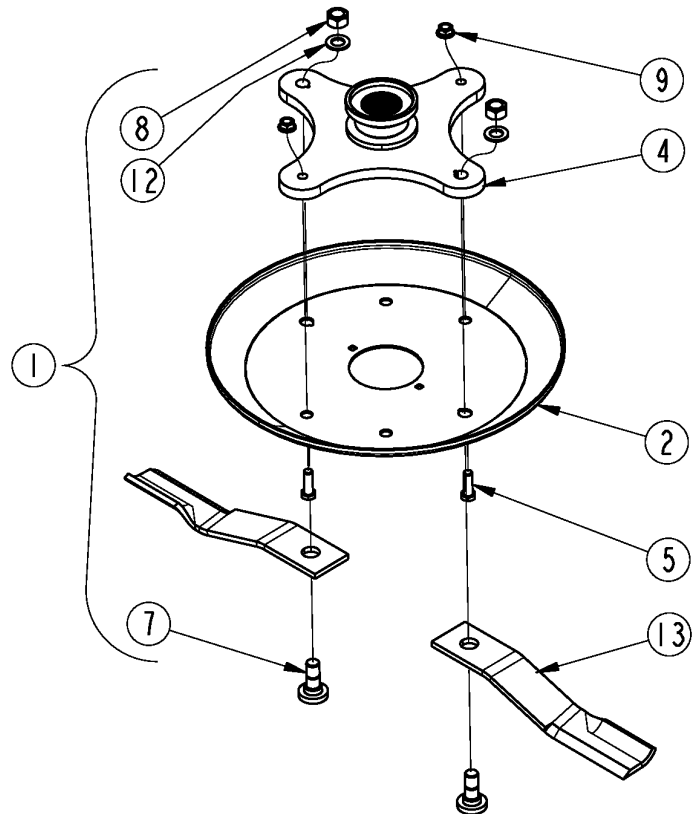
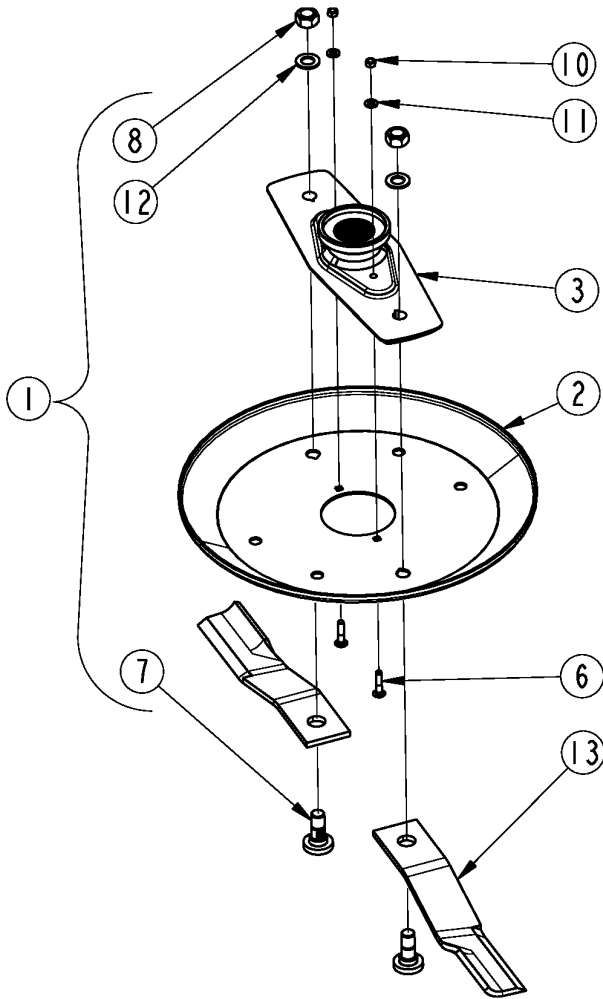
### Serial Numbers

Always use the serial and model number when ordering parts. Refer to the Operator's Manual for serial number plate location.

- (S/N 20001+)                      Includes serial numbers 20001 and above (to the latest number)
- (S/N 10001 to 20000)           Includes serial numbers between and including 10001 and 20000
- (S/N 10000-)                      Includes serial numbers 10000 and below (to the earliest number)

# Blade Carrier - Bolt-on Forged & Heavy Duty Dishpans

Applies to RC5715, RCM5715



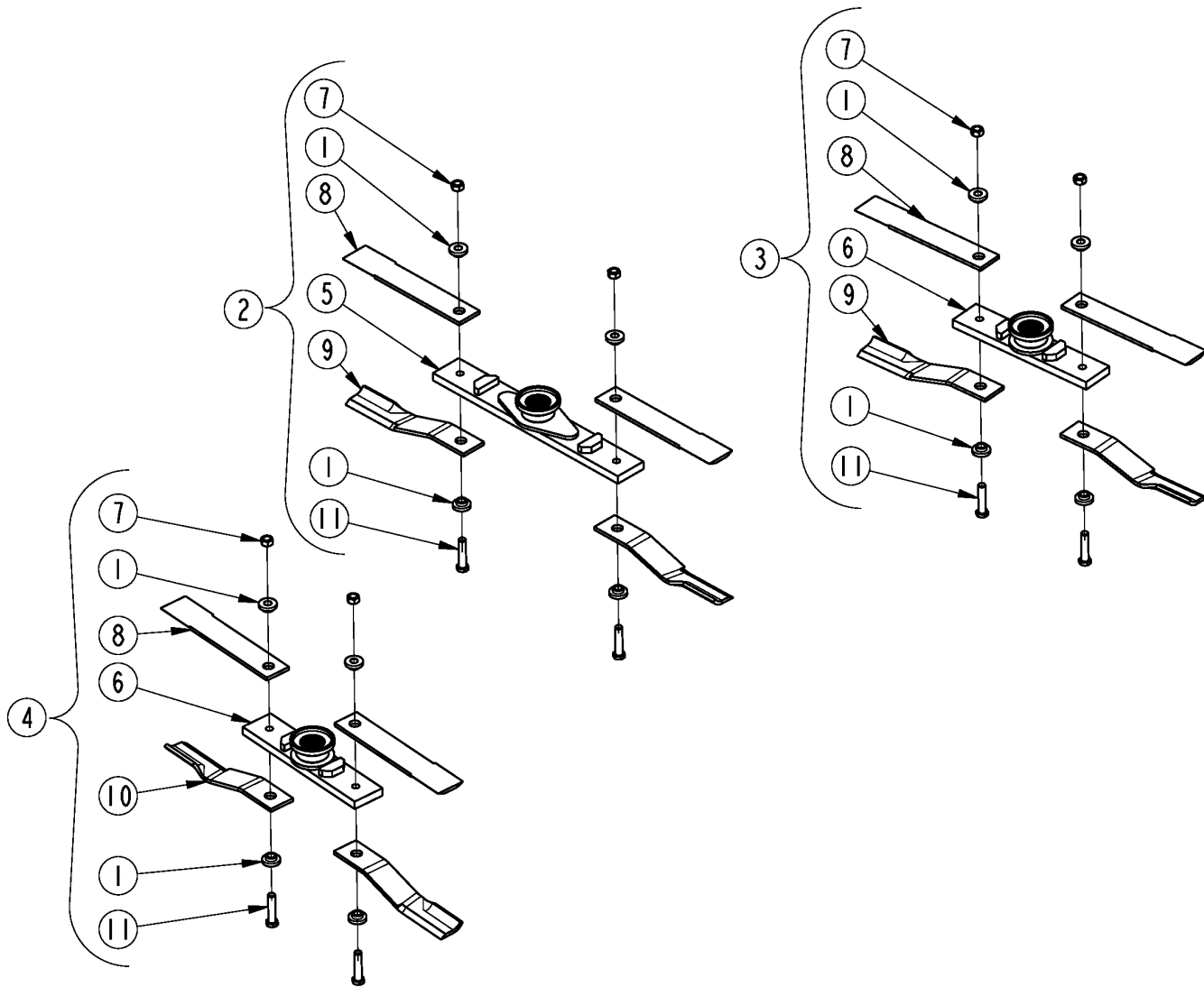
74155

**Blade Carrier - Bolt-on Forged & Heavy Duty Dishpans****Applies to RC5715, RCM5715**

Ref	Part No.	Part Description	Comments	Revision
	Dwg 74155	Image No.		
1.	318-586A	BLADE BOLT KIT	Includes items 7, 8, & 12	
2.	331-507D	BOLT ON DISHPAN		
3.	334-054H	25DMD BLD BAR WMT 19C/C 3"SHFT		
4.	334-525H	BLD PLT DSHPN WMT 19C/C		
5.	802-065C	HHCS 3/4-10X2 1/4 GR5		
6.	802-250C	RHSNB 1/2-13X2 1/4 GR5		
7.	802-277C	BLD BLT 1 1/8-12X3.44 W/.25KEY		
8.	803-170C	NUT HEX TOP LOCK 1 1/8-12 PLT		
9.	803-181C	NUT HEX FLANGE LOCK 3/4-10 PLT		
10.	803-342C	NUT HEX TOP LOCK 1/2-13 PLT		
11.	804-016C	WASHER FLAT 1/2 SAE PLT		
12.	804-147C	WASHER FLAT 1" HARDENED		
	*	*		
	*	<b>STANDARD BLADES</b>		
13.	820-721C	CUTTER BLADE 1/2X4X29 CCW	Center deck (std rotation)	
13.	820-722C	CUTTER BLADE 1/2X4X23 CW	LH Wing deck	
13.	820-720C	CUTTER BLADE 1/2X4X23 CCW	RH Wing deck	
	*	*		
	*	<b>LOW LIFT BLADES</b>		
13.	820-478C	CUTTER BLADE 1/2X4X29 CCW LL	Center deck (std rotation)	
13.	820-480C	CUTTER BLADE 1/2X4X23 CW LL	LH Wing deck	
13.	820-479C	CUTTER BLADE 1/2X4X23 CCW LL	RH Wing deck	
	*	*		
	*	<b>HIGH LIFT BLADES</b>		
13.	820-725C	CUTTER BLADE 1/2X4X29 CCW HL	Center deck (std rotation)	
13.	820-726C	CUTTER BLADE 1/2X4X23 CW HL	LH Wing deck	
13.	820-724C	CUTTER BLADE 1/2X4X23 CCW HL	RH Wing deck	
	*	*		
	*	<b>SPECIAL BLADES (REVERSE CENTER)</b>		
13.	820-723C	CUTTER BLADE 1/2X4X29 CW	Center deck (Reg Lift bld, rev rotation)	
13.	820-544C	CUTTER BLADE 1/2X4X29 CW LL	Center deck (Low Lift bld, rev rotation)	
13.	820-727C	CUTTER BLADE 1/2X4X29 CW HL	Center deck (High Lift bld, rev rotation)	

# Blade Carrier - Shredder Blade Kit

Applies to RC5715, RCM5715





**Blade Carrier - Shredder Blade Kit**

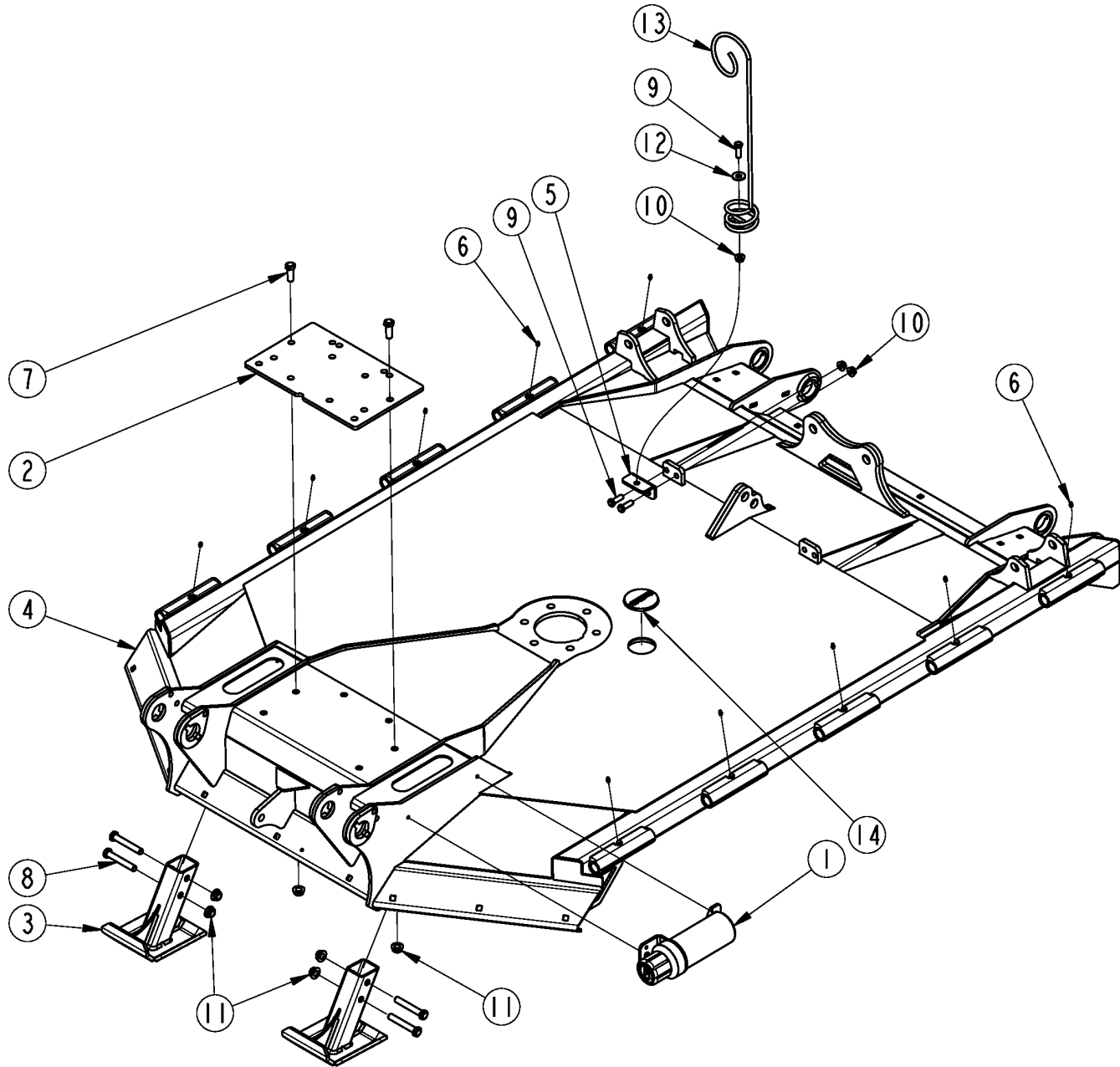
---

**Applies to RC5715, RCM5715**

<b>Ref</b>	<b>Part No.</b>	<b>Part Description</b>	<b>Comments</b>	<b>Revision</b>
	Dwg 74167	Image No.		
1.	318-309D	BLADE BUSHING		
2.	334-337S	CCW BLADE SHREDDER 72" FLAT	Center Deck Shredder Assembly	
3.	334-338S	CCW BLADE SHREDDER 60" FLAT	Right Wing Deck Shredder Assembly	
4.	334-339S	CW BLADE SHREDDER 60" FLAT	Left Wing Deck Shredder Assembly	
5.	334-340H	BLD BAR WMT 30.5C/C FLAT 3" OP	Center Deck Blade Bar	
6.	334-341H	BLD BAR WMT 18.5C/C FLAT 3" OP	Left and Right Wing Deck Blade Bar	
7.	803-168C	NUT HEX TOP LOCK 1-8 PLT		
8.	820-217C	CUTTER BLADE 1/2X4X22.5 FLAT		
9.	820-720C	CUTTER BLADE 1/2X4X23 CCW		
10.	820-722C	CUTTER BLADE 1/2X4X23 CW		
11.	842-344C	HHCS 1-8X4 1/2 GR8 SPTH		

# Deck Center Components

Applies to RC5715, RCM5715



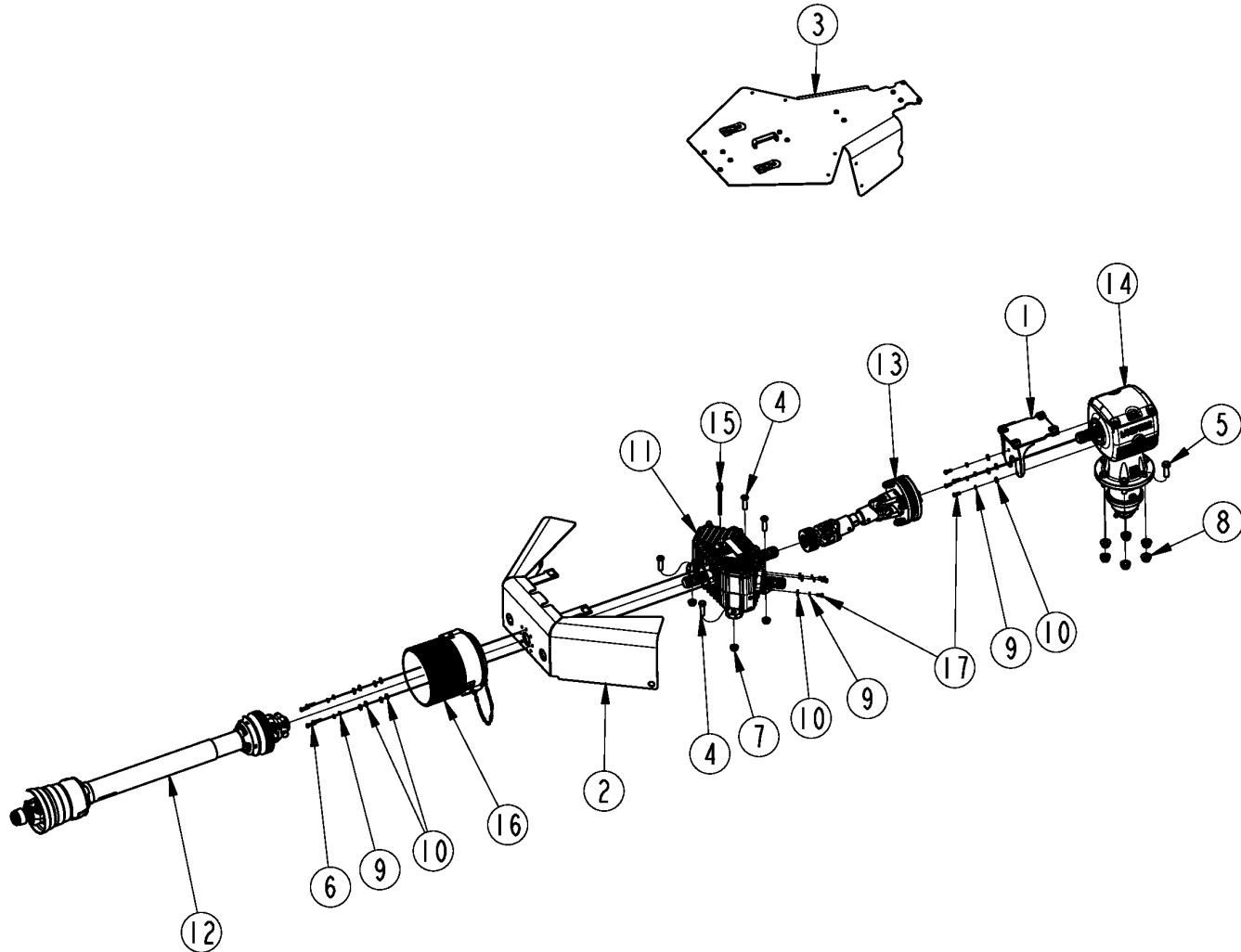
74171

**Deck Center Components****Applies to RC5715, RCM5715**

<b>Ref</b>	<b>Part No.</b>	<b>Part Description</b>	<b>Comments</b>	<b>Revision</b>
	Dwg 74171	Image No.		
1.	318-920S	MANUAL STORAGE CONTAINER KIT	Includes hardware	
2.	331-374D	SPLITTER BOX DOUBLER PLATE		
3.	331-688H	CENTER SKID SHOE		
4.	331-990H	CENTER DECK	Beige deck	
4.	331-990H81	CENTER DECK, GREEN	Green deck	
4.	331-990H82	CENTER DECK, ORANGE	Orange deck	
4.	331-990H83	CENTER DECK, RED	Red deck	
4.	331-990H86	CENTER DECK, YELLOW	Yellow deck	
4.	331-991H	CENTER DECK W/DR	Beige deck with deck ring	
4.	331-991H81	CENTER DECK W/DR, GREEN	Green deck with deck ring	
4.	331-991H82	CENTER DECK W/DR, ORANGE	Orange deck with deck ring	
4.	331-991H83	CENTER DECK W/DR, RED	Red deck with deck ring	
4.	331-991H86	CENTER DECK W/DR, YELLOW	Yellow deck with deck ring	
4.	334-347H	CENTER DECK W/ARMOR	Beige deck with armor	
4.	334-347H81	CENTER DECK W/ARMOR GREEN	Green deck with armor	
4.	334-347H82	CENTER DECK W/ARMOR ORANGE	Orange deck with armor	
4.	334-347H83	CENTER DECK W/ARMOR RED	Red deck with armor	
4.	334-347H86	CENTER DECK W/ARMOR YELLOW	Yellow deck with armor	
5.	334-069D	HOSE LOOP HOLDER		
6.	800-001C	GREASE ZERK STRAIGHT 1/4-28		
7.	802-053C	HHCS 5/8-11X1 3/4 GR5 FTHD		
8.	802-060C	HHCS 5/8-11X4 GR5		
9.	802-091C	HHCS 1/2-13X1 1/2 GR5		
10.	803-037C	NUT HEX WHIZ 1/2-13 PLT GR5		
11.	803-263C	NUT HEX FLANGE LOCK 5/8-11 PLT		
12.	804-017C	WASHER FLAT 1/2 USS PLT		
13.	807-073C	SPRING HOSE LOOP HEAVY		
14.	840-273C	PLUG LP 3" ID RUBBER		

# Deck Center Drive Components

Applies to RC5715, RCM5715



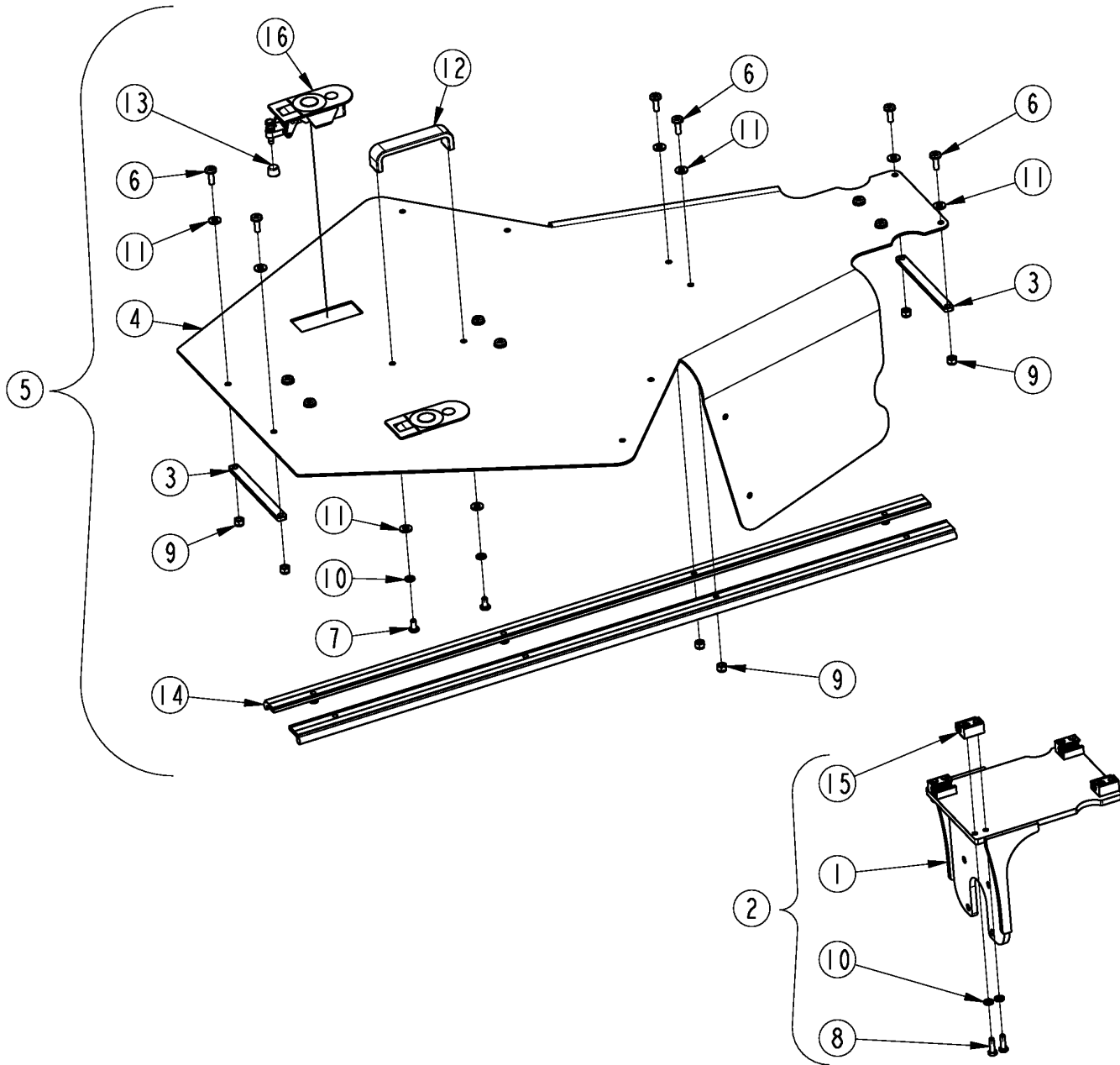
74178

**Deck Center Drive Components****Applies to RC5715, RCM5715**

<b>Ref</b>	<b>Part No.</b>	<b>Part Description</b>	<b>Comments</b>	<b>Revision</b>
	Dwg 74178	Image No.		
1.	331-555S	GEARBOX BEARING BLOCK MNT		
2.	334-746H	FRONT FIXED SHIELD, TALL		
3.	334-951V	SLIDING SHIELD RAIL ASY		
4.	802-057C	HHCS 5/8-11X2 1/4 GR5		
5.	802-065C	HHCS 3/4-10X2 1/4 GR5		
6.	802-967C	HHCS M8X1.25X35 GR8.8		
7.	803-263C	NUT HEX FLANGE LOCK 5/8-11 PLT		
8.	803-299C	NUT HEX FLG TOP LK 3/4-10 PLT		
9.	804-009C	WASHER LOCK SPRING 5/16 PLT		
10.	804-010C	WASHER FLAT 5/16 USS PLT		
11.	826-520C	DIV BOX 540RPM 1 3/4-20	Comer - RC5715 series	
11.	826-521C	DIV BOX 1000RPM 1 3/4-20	Comer - RCM5715	
12.	826-643C	DRVLN C6 42 1.38-6 CV	540 RPM	
12.	826-884C	DRVLN C6 39 1.38-6 CV ORCL	540 RPM - overrunning clutch	
12.	826-644C	DRVLN C6 42 1.38-21 CV	1000 RPM	
12.	826-645C	DRVLN C6 47 1.75-20 CV	1000 RPM	
12.	826-793C	DRVLN C6 39 1.38-21 CV ORCLTCH	1000 RPM - overrunning clutch	
13.	826-818C	DRVLN C5 11 1.75-20 FX CLTCH		
	*	*		
	*	STANDARD CONFIGURATION		
14.	826-832C	GBOX RC60 1:1.60 STD 3" OP	RC5715 - (CW rotation)	
14.	826-829C	GBOX RC60 1.15:1 STD 3" OP	RCM5715 - (CW rotation)	
	*	*		
	*	SPECIAL CONFIGURATION		
14.	826-833C	GBOX RC60 1:1.60 REV 3" OP	RC5715 - (CCW rotation)	
14.	826-871C	GBOX RC60 1.15:1 REV 3" OP	RCM5715 - (CCW rotation)	
	*	*		
15.	826-848C	COMER 0.340.7101.00 DIPSTICK		
16.	837-079C	DRVLN SHLD CONE,2 PIECE 11.25L	Used only with driveline 826-793C	
16.	837-066C	DRVLN SHLD CONE,2 PIECE 8.25L		
17.	842-505C	HHCS M8X1.25X25 GR8.8 THD-LCK		

# Deck Center Sliding Shield & Mount

Applies to RC5715, RCM5715



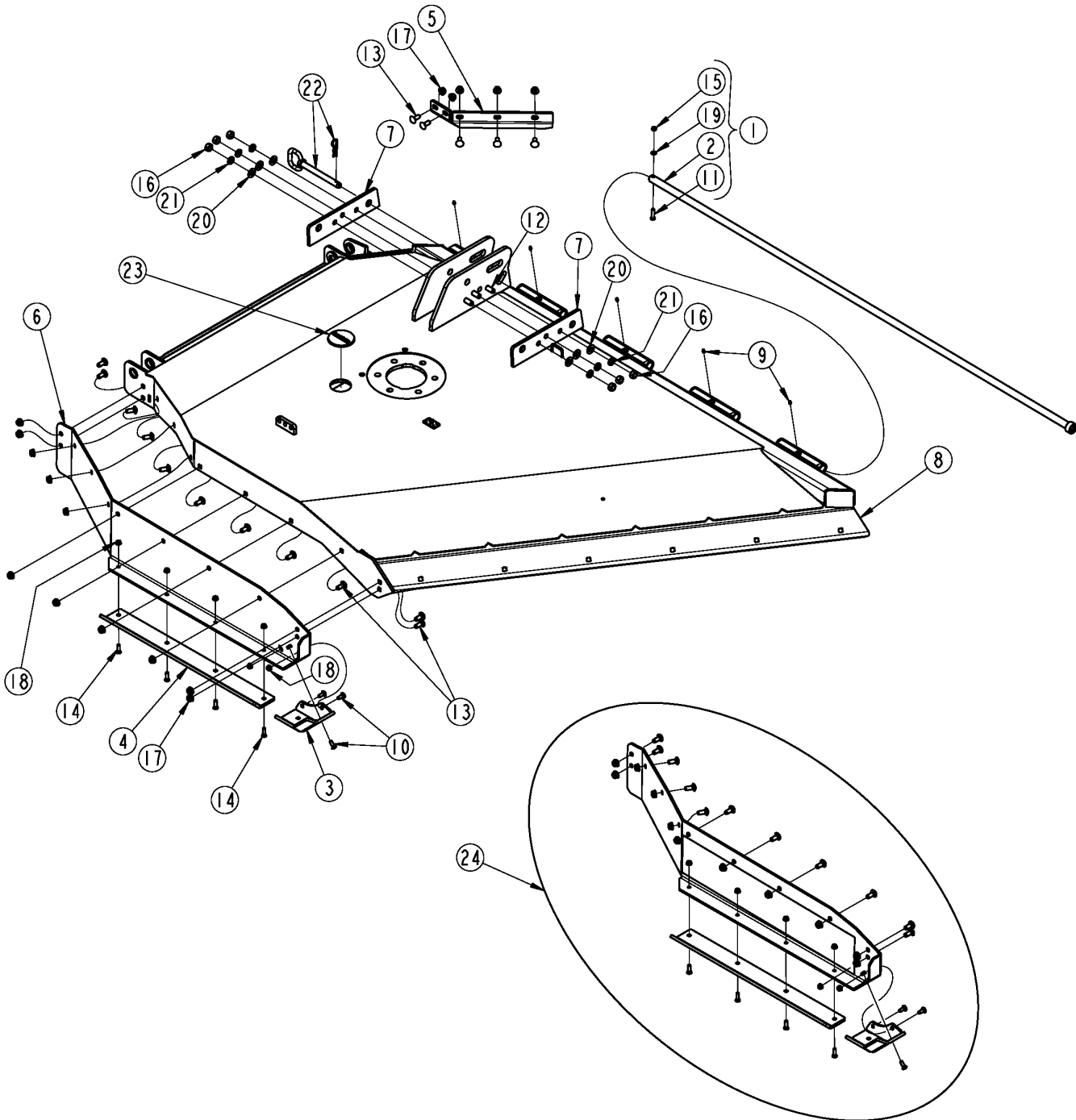
72694

**Deck Center Sliding Shield & Mount****Applies to RC5715, RCM5715**

<b>Ref</b>	<b>Part No.</b>	<b>Part Description</b>	<b>Comments</b>	<b>Revision</b>
	Dwg 72694	Image No.		
1.	331-554H	SLIDING SHIELD GB MNT, 50/60GB		
2.	331-555S	GEARBOX BEARING BLOCK MNT		
3.	331-974D	SLIDE STOP		
4.	334-096D	SLIDING SHIELD		
5.	334-951V	SLIDING SHIELD RAIL ASY		
6.	801-248C	PAN HD 1/4-20X3/4 PHILLIPS SS		
7.	802-301C	HHCS 1/4-20X1/2 GR5		
8.	802-843C	HHCS M6X1X20 18-8 SS		
9.	803-255C	NUT HEX NYLOCK 1/4-20		
10.	804-006C	WASHER LOCK SPRING 1/4 PLT		
11.	804-034C	WASHER FLAT 1/4 SAE SS		
12.	817-936C	HANDLE GRAB 4 1/8WIDE1 1/2TALL		
13.	836-064C	RUBBER BOLT HEAD BUMPER		
14.	891-485C	WS-10 GUIDE RAIL		
15.	891-487C	FLOATING ZINC BEARING BLOCK		
16.	334-150D	LEVER LATCH W/HOLE	S/N _____ +	
16.	891-964C	LEVER LATCH	S/N _____ -	

# Deck Wing Components

Applies to RC5715, RCM5715



74184



**Deck Wing Components****Applies to RC5715, RCM5715**

Ref	Part No.	Part Description	Comments	Revision
	Dwg 74184	Image No.		
1.	318-695L	ASSY. HINGE ROD		
2.	318-696H	WLDMT. HINGE ROD		
3.	331-120H	HARDENED WING SKID SHOE		
4.	331-203D	BEVELED SKID SHOE		
5.	331-204D	RH REAR DEFLECTOR		
5.	331-231D	LH REAR DEFLECTOR		
6.	331-699H	N/A	Available with item 24	
7.	331-703D	FOLD LOCK LUG		
8.	331-982H	RH DECK	Right hand beige deck	
8.	331-982H81	RH DECK, GREEN	Right hand green deck	
8.	331-982H82	RH DECK, ORANGE	Right hand orange deck	
8.	331-982H83	RH DECK, RED	Right hand red deck	
8.	331-982H86	RH DECK, YELLOW	Right hand yellow deck	
8.	331-983H	RH DECK W/DR	Right hand beige deck with deck ring	
8.	331-983H81	RH DECK W/DR, GREEN	Right hand green deck with deck ring	
8.	331-983H82	RH DECK W/DR, ORANGE	Right hand orange deck with deck ring	
8.	331-983H83	RH DECK W/DR, RED	Right hand red deck with deck ring	
8.	331-983H86	RH DECK W/DR, YELLOW	Right hand yellow deck with deck ring	
8.	334-358H	RH DECK W/ARMOR	Right hand beige deck with armor	
8.	334-358H81	RH DECK W/ARMOR GREEN	Right hand green deck with armor	
8.	334-358H82	RH DECK W/ARMOR ORANGE	Right hand orange deck with armor	
8.	334-358H83	RH DECK W/ARMOR RED	Right hand red deck with armor	
8.	334-358H86	RH DECK W/ARMOR YELLOW	Right hand yellow deck with armor	
8.	331-984H	LH DECK	Left hand beige deck	
8.	331-984H81	LH DECK, GREEN	Left hand green deck	
8.	331-984H82	LH DECK, ORANGE	Left hand orange deck	
8.	331-984H83	LH DECK, RED	Left hand red deck	
8.	331-984H86	LH DECK, YELLOW	Left hand yellow deck	
8.	331-985H	LH DECK W/DR	Left hand beige deck with deck ring	
8.	331-985H81	LH DECK W/DR, GREEN	Left hand green deck with deck ring	
8.	331-985H82	LH DECK W/DR, ORANGE	Left hand orange deck with deck ring	
8.	331-985H83	LH DECK W/DR, RED	Left hand red deck with deck ring	
8.	331-985H86	LH DECK W/DR, YELLOW	Left hand yellow deck with deck ring	
8.	334-359H	LH DECK W/ARMOR	Left hand beige deck with armor	
8.	334-359H81	LH DECK W/ARMOR GREEN	Left hand green deck with armor	
8.	334-359H82	LH DECK W/ARMOR ORANGE	Left hand orange deck with armor	
8.	334-359H83	LH DECK W/ARMOR RED	Left hand red deck with armor	
8.	334-359H86	LH DECK W/ARMOR YELLOW	Left hand yellow deck with armor	
9.	800-001C	GREASE ZERK STRAIGHT 1/4-28		
10.	802-015C	RHSNB 3/8-16X1 GR5		
11.	802-022C	HHCS 3/8-16X1 1/2 GR5		
12.	802-053C	HHCS 5/8-11X1 3/4 GR5 FTHD		
13.	802-214C	RHSNB 1/2-13X1 1/4 GR5		
14.	802-466C	PLOW 3/8-16X1 1/4 GR5		
15.	803-014C	NUT HEX 3/8-16 PLT		
16.	803-021C	NUT HEX 5/8-11 PLT		
17.	803-037C	NUT HEX WHIZ 1/2-13 PLT GR5		
18.	803-198C	NUT HEX WHIZ 3/8-16 PLT		
19.	804-013C	WASHER LOCK SPRING 3/8 PLT		
20.	804-021C	WASHER FLAT 5/8 SAE PLT		
21.	804-022C	WASHER LOCK SPRING 5/8 PLT		
22.	805-562C	PIN HTCH .75X6.50 USBL W/PIN		
23.	840-273C	PLUG LP 3" ID RUBBER		
24.	334-237K	RH SIDE SKIRT ASY, BEIGE	Right Side	
24.	334-237K81	RH SIDE SKIRT ASY, GREEN	Green	
24.	334-237K82	RH SIDE SKIRT ASY, ORANGE	Orange	

***Deck Wing Components (continued)***

---

**Applies to RC5715, RCM5715**

<b>Ref</b>	<b>Part No.</b>	<b>Part Description</b>	<b>Comments</b>	<b>Revision</b>
24.	334-237K83	RH SIDE SKIRT ASY, RED	Red	
24.	334-237K86	RH SIDE SKIRT ASY, YELLOW	Yellow	
24.	334-238K	LH SIDE SKIRT ASY, BEIGE	Left Side	
24.	334-238K81	LH SIDE SKIRT ASY, GREEN	Green	
24.	334-238K82	LH SIDE SKIRT ASY, ORANGE	Orange	
24.	334-238K83	LH SIDE SKIRT ASY, RED	Red	
24.	334-238K86	LH SIDE SKIRT ASY, YELLOW	Yellow	

***Deck Wing Components (continued)***

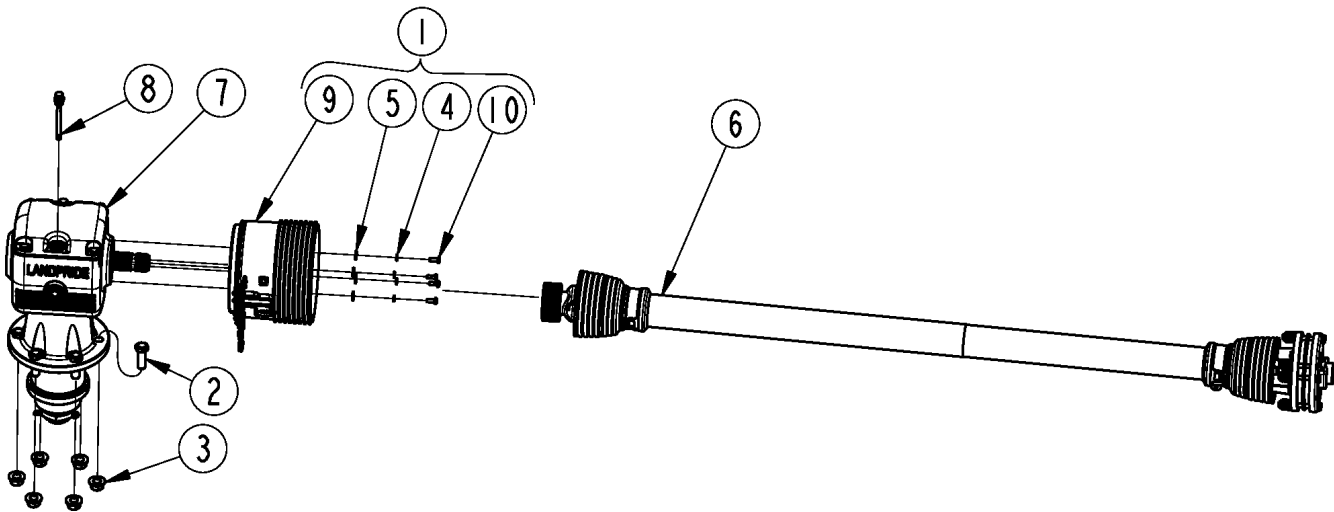
---

**Applies to RC5715, RCM5715**

***This Page Intentionally Left Blank***

# Deck Wing Drive Components

Applies to RC5715, RCM5715



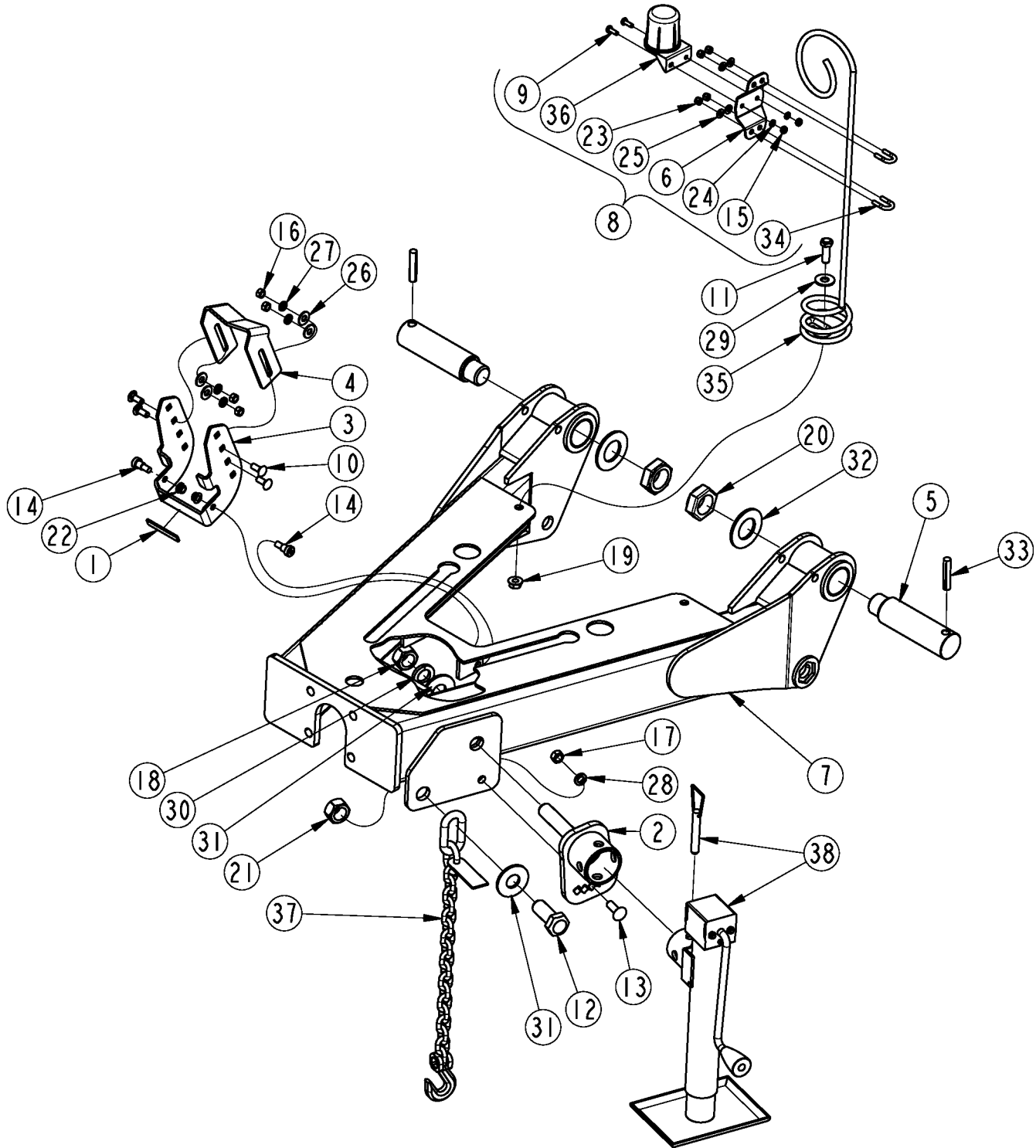
74194

**Deck Wing Drive Components****Applies to RC5715, RCM5715**

<b>Ref</b>	<b>Part No.</b>	<b>Part Description</b>	<b>Comments</b>	<b>Revision</b>
	Dwg 74194	Image No.		
1.	334-231S	SHORT SHIELD ASY		
2.	802-065C	HHCS 3/4-10X2 1/4 GR5		
3.	803-299C	NUT HEX FLG TOP LK 3/4-10 PLT		
4.	804-009C	WASHER LOCK SPRING 5/16 PLT		
5.	804-010C	WASHER FLAT 5/16 USS PLT		
6.	826-811C	DRVLN C4 50 1.75-20 FX CLTCH		
6.	826-812C	DRVLN C5 48 1.75-20 FX CLTCH		
	*	*		
	*	STANDARD CONFIGURATION		
7.	826-832C	GBOX RC60 1:1.60 STD 3" OP	Left wing - RC5715 series	
7.	826-833C	GBOX RC60 1:1.60 REV 3" OP	Right wing - RC5715 series	
7.	826-830C	GBOX RC60 1:1.22 STD 3" OP	Left wing - RCM5715 series	
7.	826-831C	GBOX RC60 1:1.22 REV 3" OP	Right wing - RCM5715 series	
	*	*		
	*	SPECIAL CONFIGURATION		
7.	826-832C	GBOX RC60 1:1.60 STD 3" OP	Right wing - RC5715 series	
7.	826-833C	GBOX RC60 1:1.60 REV 3" OP	Left wing - RC5715 series	
7.	826-830C	GBOX RC60 1:1.22 STD 3" OP	Right wing - RCM5715 series	
7.	826-831C	GBOX RC60 1:1.22 REV 3" OP	Left wing - RCM5715 series	
	*	*		
8.	826-959C	COMER 0.125.7110.00 DIPSTICK		
9.	837-066C	DRVLN SHLD CONE,2 PIECE 8.25L		
10.	842-243C	HHCS M8X1.25X20 GR8.8 THD-LCK		

# Hitch A-Frame

Applies to RC5715, RCM5715



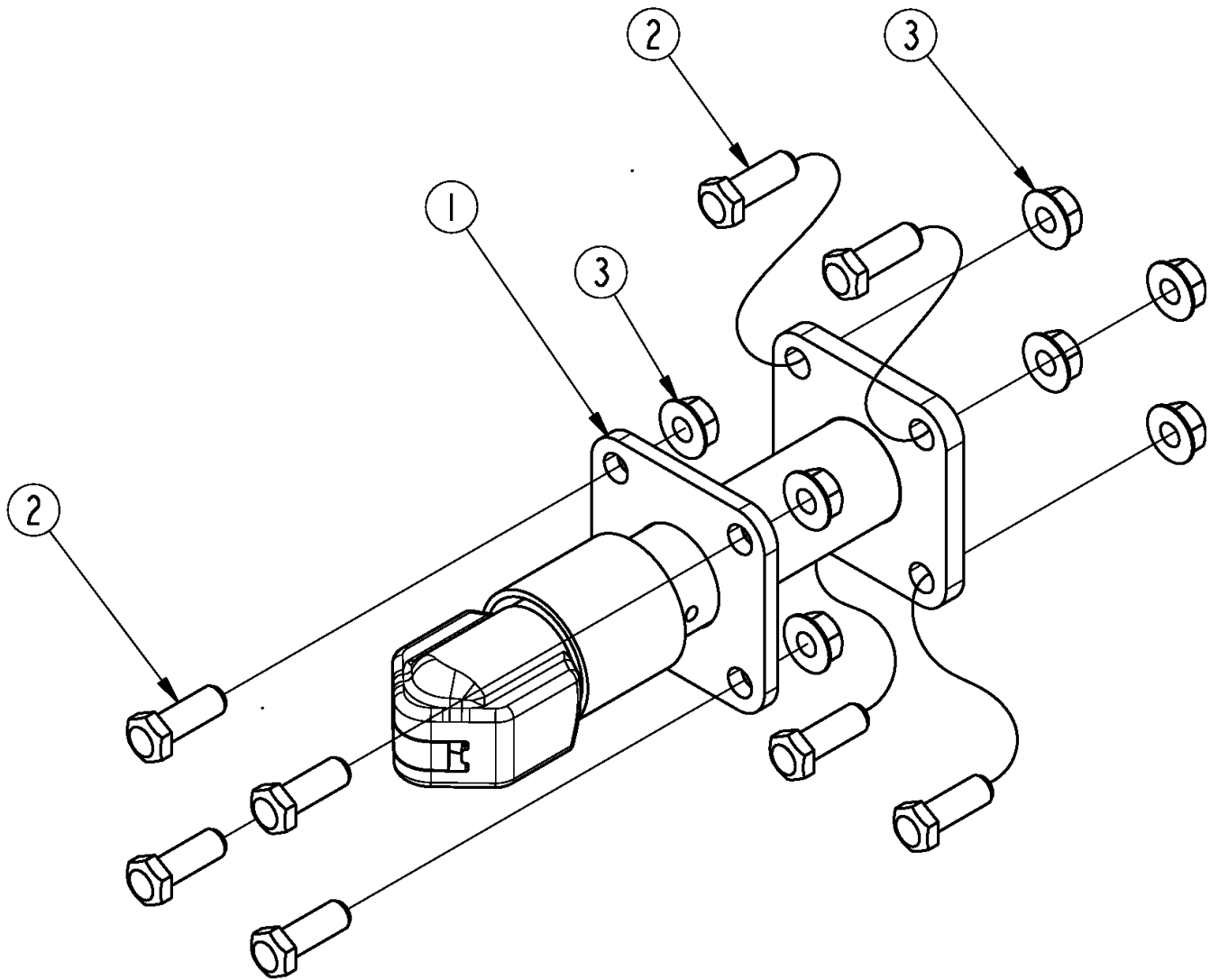
74122

**Hitch A-Frame****Applies to RC5715, RCM5715**

<b>Ref</b>	<b>Part No.</b>	<b>Part Description</b>	<b>Comments</b>	<b>Revision</b>
	Dwg 74122	Image No.		
1.	331-090D	RUBBER PTO HANGER PAD		
2.	331-561H	ADJUSTABLE JACK MOUNT		
3.	331-670D	PTO HANGER HINGE		
4.	331-671D	PTO HANGER		
5.	331-730D	2" PIVOT PIN		
6.	334-111D	BRACKET CONNECTOR HOLDER		
7.	334-458H	HD TONGUE		
8.	337-017S	ELECT CONN. HOLDER W/BKT&HRD		
9.	802-004C	HHCS 1/4-20X3/4 GR5		
10.	802-015C	RHSNB 3/8-16X1 GR5		
11.	802-091C	HHCS 1/2-13X1 1/2 GR5		
12.	802-096C	HHCS 1-8X2 1/2 GR5		
13.	802-106C	RHSNB 1/2-13X1 1/2 GR5		
14.	802-747C	SHLDR BLT 1/2DX1/2L 3/8-16 SS		
15.	803-006C	NUT HEX 1/4-20 PLT		
16.	803-014C	NUT HEX 3/8-16 PLT		
17.	803-020C	NUT HEX 1/2-13 PLT		
18.	803-031C	NUT HEX 1-8 PLT		
19.	803-037C	NUT HEX WHIZ 1/2-13 PLT GR5		
20.	803-111C	NUT LT JAM 1 1/2-12 NYLN INSRT		
21.	803-168C	NUT HEX TOP LOCK 1-8 PLT		
22.	803-209C	NUT FLANGE LOCK 3/8-16 PLT		
23.	803-255C	NUT HEX NYLOCK 1/4-20		
24.	804-006C	WASHER LOCK SPRING 1/4 PLT		
25.	804-007C	WASHER FLAT 1/4 SAE PLT		
26.	804-011C	WASHER FLAT 3/8 USS PLT		
27.	804-013C	WASHER LOCK SPRING 3/8 PLT		
28.	804-015C	WASHER LOCK SPRING 1/2 PLT		
29.	804-017C	WASHER FLAT 1/2 USS PLT		
30.	804-027C	WASHER LOCK SPRING 1 PLT		
31.	804-028C	WASHER FLAT 1 USS PLT		
32.	804-071C	WASHER FLAT 1 1/2 SAE PLT		
33.	805-612C	PIN GROOVE 1/2X2 1/2 TYPE A		
34.	806-300C	U-BOLT 1/4-20X0.56X1.25 RND		
35.	807-073C	SPRING HOSE LOOP HEAVY		
36.	833-492C	7-PIN CONNECTOR HOLDER		
37.	890-182C	SAFETY CHAIN 10000 LB		
38.	891-524C	SIDEWIND JACK 7000 LB		

# Hitch Ball Coupler

Applies to RC5715, RCM5715



26568



## ***Hitch Ball Coupler***

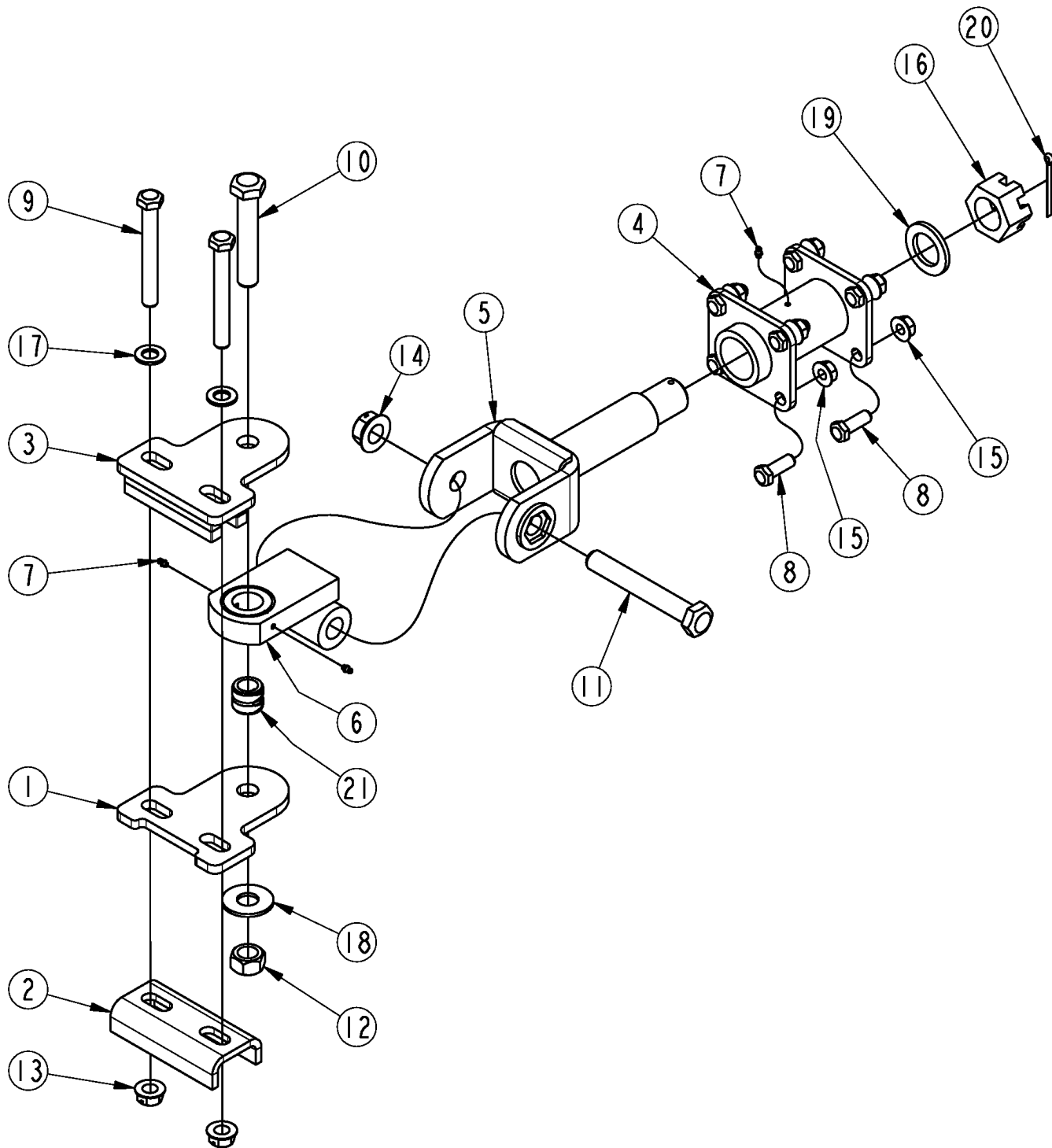
---

### **Applies to RC5715, RCM5715**

<b>Ref</b>	<b>Part No.</b>	<b>Part Description</b>	<b>Comments</b>	<b>Revision</b>
	Dwg 26568	Image No.		
	334-462A	BALL HITCH, 2 5/16 *	For 2-5/16" Ball - Complete Assembly	
1.	334-474H	2 5/16" BALL HITCH WELDMENT		
2.	802-053C	HHCS 5/8-11X1 3/4 GR5		
3.	803-304C	NUT HEX WHIZ 5/8-11 PLT		

# Hitch Bar-Tite

Applies to RC5715, RCM5715



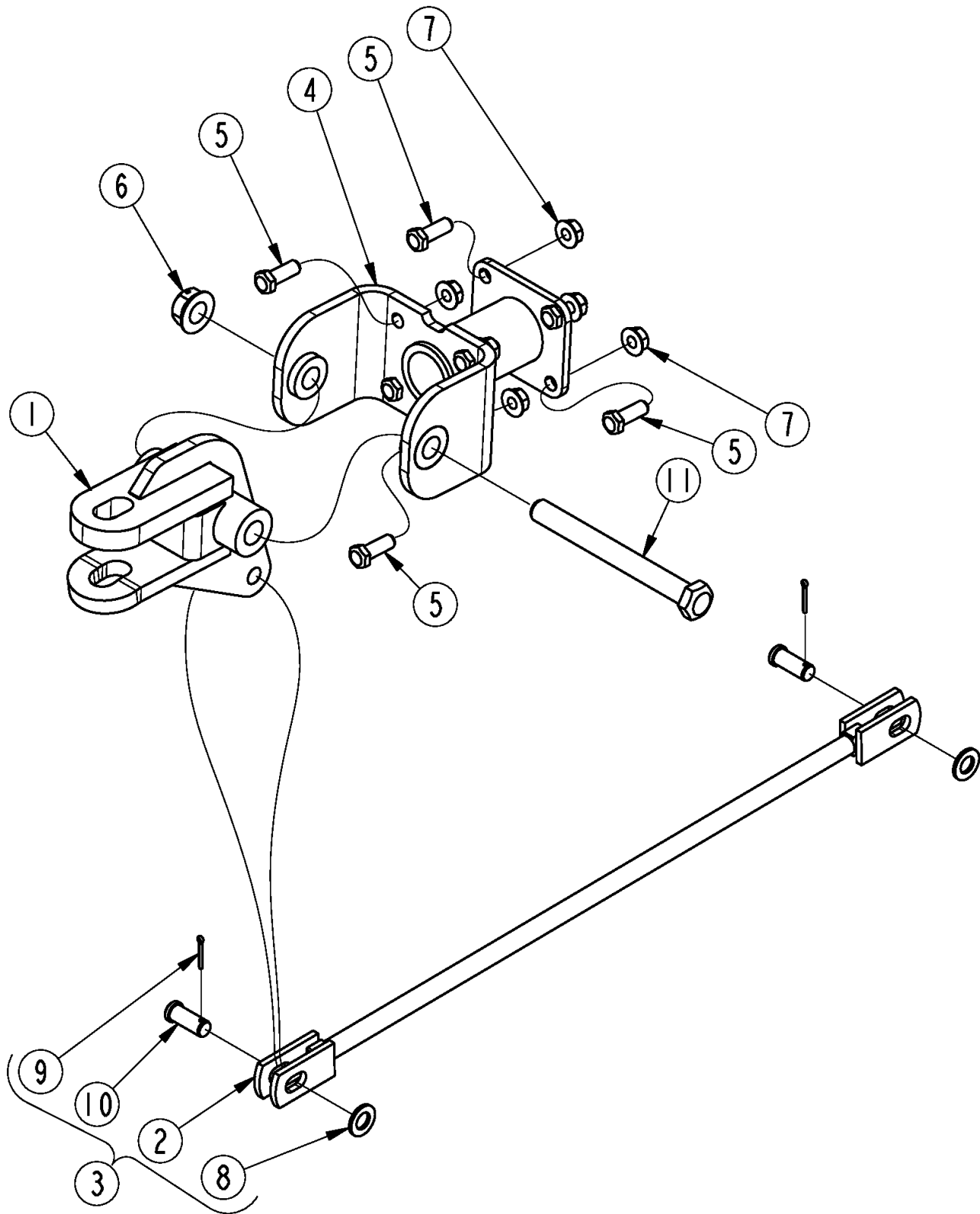
70628

**Hitch Bar-Tite****Applies to RC5715, RCM5715**

<b>Ref</b>	<b>Part No.</b>	<b>Part Description</b>	<b>Comments</b>	<b>Revision</b>
	Dwg 70628 334-460A	Image No. BAR-TITE HITCH *	Complete Assembly	
1.	330-563D	HITCH WEAR PLATE WIDE		
2.	330-564D	FORMED HITCH SUPPORT WIDE		
3.	330-975H	BAR TITE WIDE TOP		
4.	334-472H	SWIVEL RECEIVER		
5.	334-477H	PIVOT SHAFT		
6.	334-480H	BAR TITE PIVOT WELDMENT		
7.	800-001C	GREASE ZERK STRAIGHT 1/4-28		
8.	802-053C	HHCS 5/8-11X1 3/4 GR5 FTHD		
9.	802-070C	HHCS 3/4-10X6 GR5		
10.	802-205C	HHCS 1-8X5 1/2 GR5		
11.	842-460C	HHCS 1-8X7 GR8 SPTHD		
12.	803-168C	NUT HEX TOP LOCK 1-8 PLT		
13.	803-181C	NUT HEX FLANGE LOCK 3/4-10 PLT		
14.	803-258C	NUT HEX FLG LOCK 1-8 GR B PLT		
15.	803-304C	NUT HEX WHIZ 5/8-11 PLT		
16.	803-339C	NUT HEX SLOTTED 1 3/4-5 REGULR		
17.	804-025C	WASHER FLAT 3/4 SAE PLT		
18.	804-028C	WASHER FLAT 1 USS PLT		
19.	804-229C	WASHER HARD 2.75X1.75X.25 PLT		
20.	805-115C	PIN COTTER 1/4 X 3 PLT		
21.	890-862C	BUSHING 1.50ODX1.00IDX1.25		

### Hitch Constant Level Clevis

Applies to RC5715, RCM5715



74196

***Hitch Constant Level Clevis***

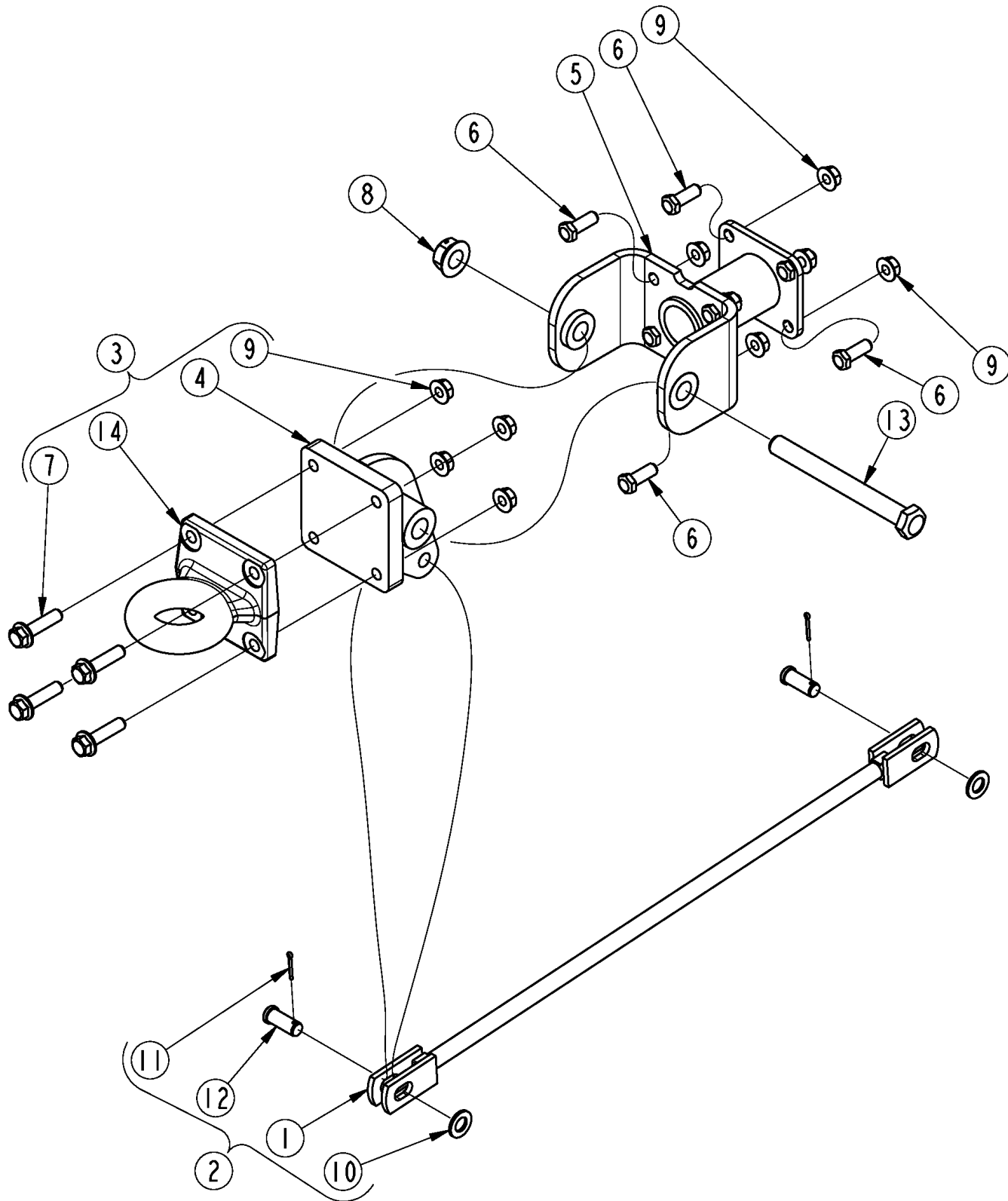
---

**Applies to RC5715, RCM5715**

<b>Ref</b>	<b>Part No.</b>	<b>Part Description</b>	<b>Comments</b>	<b>Revision</b>
	Dwg 74196 334-459A	Image No. CONSTANT LEVEL CLEVIS HITCH *	Complete Assembly	
1.	318-005H	WLDMT. TONGUE CLEVIS		
2.	318-006H	WLDMT. CLEVIS LEVEL ROD		
3.	318-053L	ASSY. LEVEL ROD CLEVIS		
4.	334-473H	CLEVIS RECEIVER YOKE		
5.	802-053C	HHCS 5/8-11X1 3/4 GR5 FTHD		
6.	803-258C	NUT HEX FLG LOCK 1-8 GR B PLT		
7.	803-304C	NUT HEX WHIZ 5/8-11 PLT		
8.	804-025C	WASHER FLAT 3/4 SAE PLT		
9.	805-045C	PIN COTTER 5/32 X 1 1/4 LG		
10.	805-083C	PIN CLVS .75X1.50 USBL HT		
11.	842-414C	HHCS 1-8X9 1/2 GR8 SPTHD		

### Hitch Constant Level Pintle

Applies to RC5715, RCM5715



74198

**Hitch Constant Level Pintle**

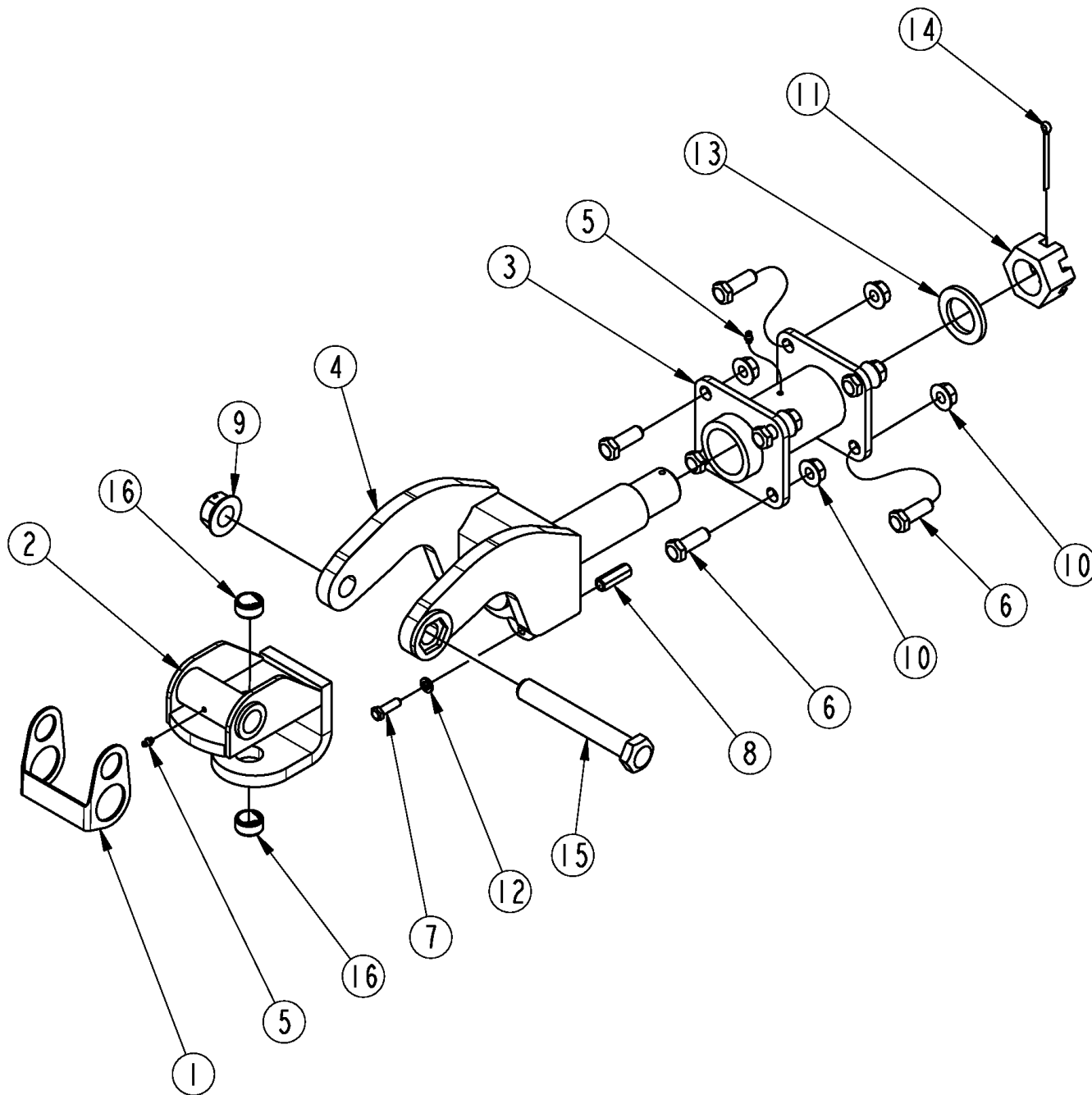
---

**Applies to RC5715, RCM5715**

<b>Ref</b>	<b>Part No.</b>	<b>Part Description</b>	<b>Comments</b>	<b>Revision</b>
	Dwg 74198 334-461A	Image No. CONSTANT LEVEL PINTLE HITCH *	Complete Assembly	
1.	318-006H	WLDMT. CLEVIS LEVEL ROD		
2.	318-053L	ASSY. LEVEL ROD CLEVIS		
3.	318-555S	ASSY. PINTLE HITCH CLEVIS		
4.	318-556H	WLDMT. PINTLE HITCH CLEVIS		
5.	334-473H	CLEVIS RECEIVER YOKE		
6.	802-053C	HHCS 5/8-11X1 3/4 GR5 FTHD		
7.	802-729C	HFS 5/8-11X2 1/2 GR8 PLT		
8.	803-258C	NUT HEX FLG LOCK 1-8 GR B PLT		
9.	803-304C	NUT HEX WHIZ 5/8-11 PLT		
10.	804-025C	WASHER FLAT 3/4 SAE PLT		
11.	805-045C	PIN COTTER 5/32 X 1 1/4 LG		
12.	805-083C	PIN CLVS .75X1.50 USBL HT		
13.	842-414C	HHCS 1-8X9 1/2 GR8 SPTHD		
14.	890-806C	PINTLE HOOK SQ.BASE BDB1250-15		

# Hitch LP Performance

Applies to RC5715, RCM5715



70718



**Hitch LP Performance**

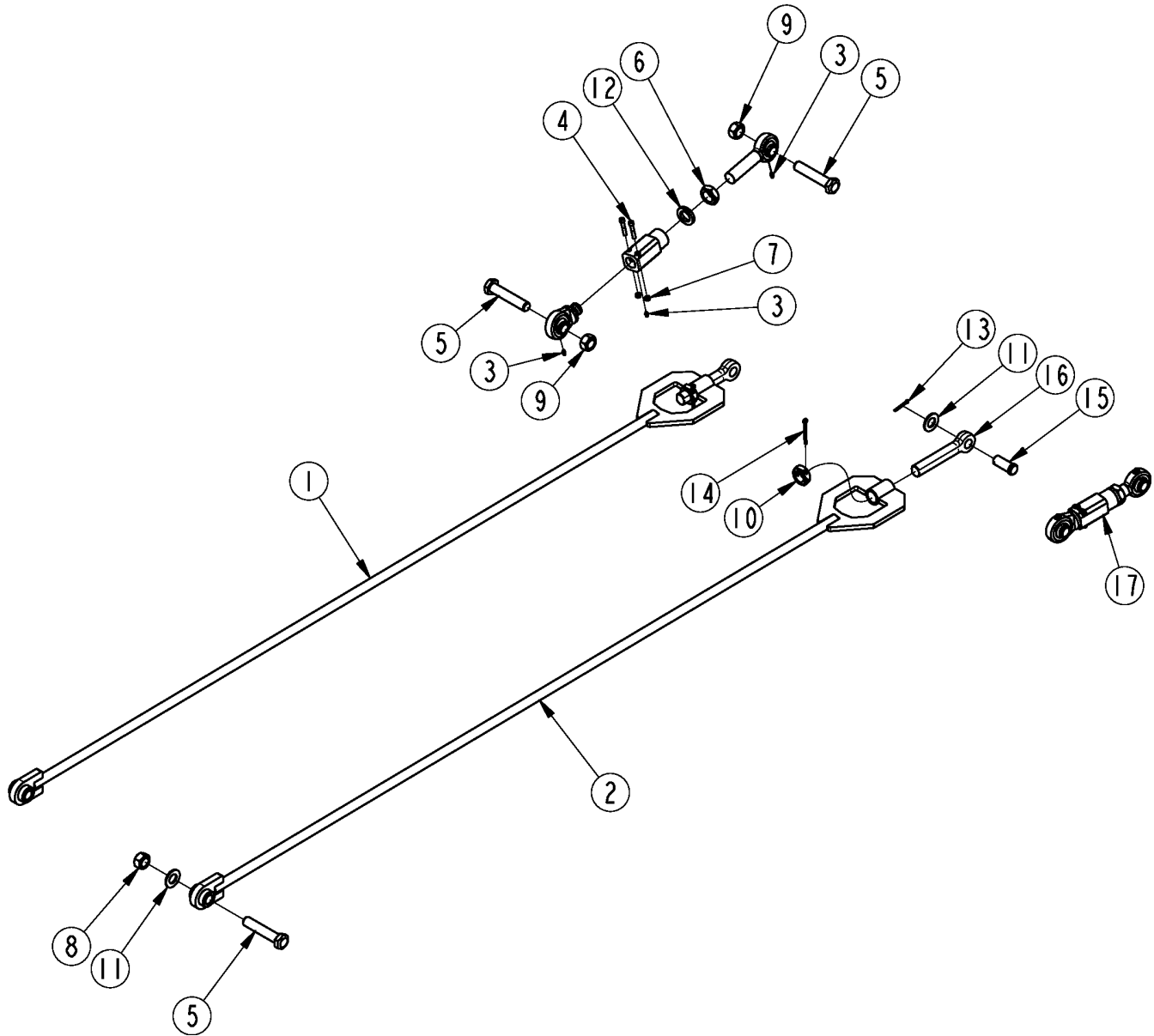
---

**Applies to RC5715, RCM5715**

<b>Ref</b>	<b>Part No.</b>	<b>Part Description</b>	<b>Comments</b>	<b>Revision</b>
	Dwg 70718 334-471A	Image No. LAND PRIDE PERFORMANCE HITCH *	Complete Assembly	
1.	331-543D	HITCH HOLDER		
2.	334-046H	HITCH CLEVIS		
3.	334-472H	SWIVEL RECEIVER		
4.	334-482H	LPH YOKE		
5.	800-001C	GREASE ZERK STRAIGHT 1/4-28		
6.	802-053C	HHCS 5/8-11X1 3/4 GR5 FTHTD		
7.	802-079C	HHCS 3/8-16X1 1/4 GR5		
8.	803-201C	NUT HEX COUPLER 3/8-16X1 3/4		
9.	803-258C	NUT HEX FLG LOCK 1-8 GR B PLT		
10.	803-304C	NUT HEX WHIZ 5/8-11 PLT		
11.	803-339C	NUT HEX SLOTTED 1 3/4-5 REGULR		
12.	804-013C	WASHER LOCK SPRING 3/8 PLT		
13.	804-229C	WASHER HARD 2.75X1.75X.25 PLT		
14.	805-115C	PIN COTTER 1/4 X 3 PLT		
15.	842-460C	HHCS 1-8X7 GR8 SPTHDT		
16.	890-850C	BUSHING 1 1/4X1X5/8		

# Leveling Rods & Wing Turnbuckles

Applies to RC5715, RCM5715



74200

**Leveling Rods & Wing Turnbuckles**

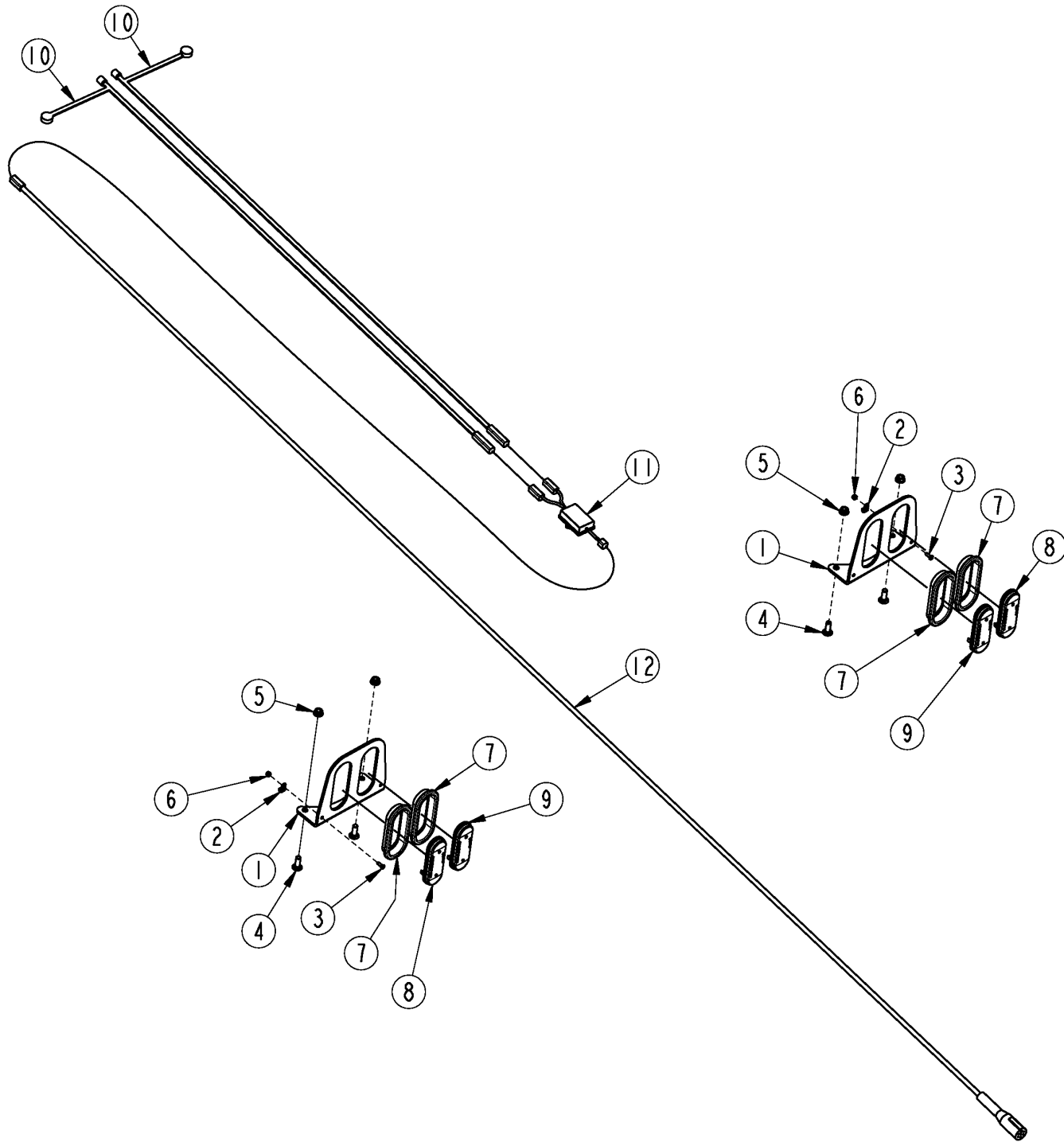
---

**Applies to RC5715, RCM5715**

<b>Ref</b>	<b>Part No.</b>	<b>Part Description</b>	<b>Comments</b>	<b>Revision</b>
	Dwg 74200	Image No.		
1.	334-571L	LEVEL ROD ASY		
2.	334-572H	LEVEL ROD		
3.	800-001C	GREASE ZERK STRAIGHT 1/4-28		
4.	802-538C	HSHCS 5/16-18X1 3/4		
5.	802-915C	HHCS 1-8X5 GR8 PLT SPTHD		
6.	803-032C	NUT HEX JAM 1 1/4-7 PLT		
7.	803-084C	NUT HEX NYLOCK 5/16-18 PLT		
8.	803-168C	NUT HEX TOP LOCK 1-8 PLT		
9.	803-316C	NUT HEX LOCK 1-8 PLT		
10.	803-410C	NUT HEX JAM 1 1/4-12 PLT SP		
11.	804-029C	WASHER FLAT 1 SAE		
12.	804-030C	WASHER LOCK 1 1/4 SPRING PLT		
13.	805-104C	PIN COTTER 3/16 X 1 1/2 PLT		
14.	805-105C	PIN COTTER 1/4 X 2 1/2 PLT		
15.	805-374C	PIN CLVS 1.0X2.06 USBL		
16.	842-416C	EYE BOLT 1 1/4-12 LG PLT SP		
17.	890-974C	TRNBCKL, 1BORE W/SWIVEL 9.5		

# Light Assembly

Applies to RC5715, RCM5715



72699

## ***Light Assembly***

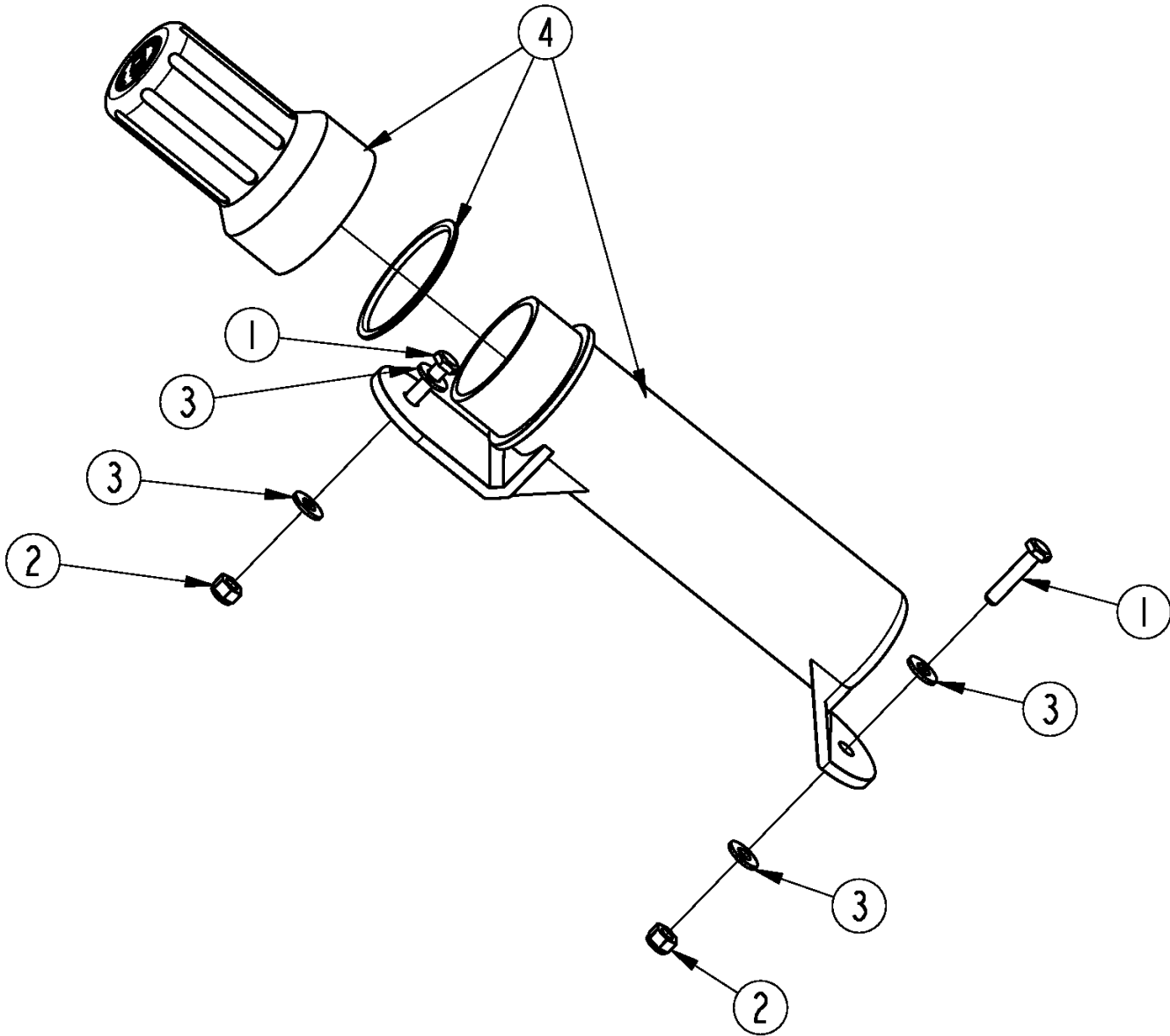
---

### **Applies to RC5715, RCM5715**

<b>Ref</b>	<b>Part No.</b>	<b>Part Description</b>	<b>Comments</b>	<b>Revision</b>
	Dwg 72699	Image No.		
	334-950A	ROTARY CUTTER LIGHT KIT *	Complete Kit	
1.	334-062D	DUAL LIGHT MOUNT		
2.	800-238C	.375 WIRING AND TUBE CLIP		
3.	802-004C	HHCS 1/4-20X3/4 GR5		
4.	802-106C	RHSNB 1/2-13X1 1/2 GR5		
5.	803-037C	NUT HEX WHIZ 1/2-13 PLT GR5		
6.	803-255C	NUT HEX NYLOCK 1/4-20		
7.	843-159C	LIGHT GROMMET 2.5 X 6.75		
8.	843-208C	RED OVAL LED LIGHT		
9.	843-209C	AMBER OVAL LED LIGHT		
10.	843-210C	LIGHT HARNESS, 70"		
11.	843-211C	ENHANCE MODULE		
12.	843-212C	LEAD WIRE HARNESS 15'		

# Manual Tube

Applies to RC5715, RCM5715



39163

**Manual Tube**

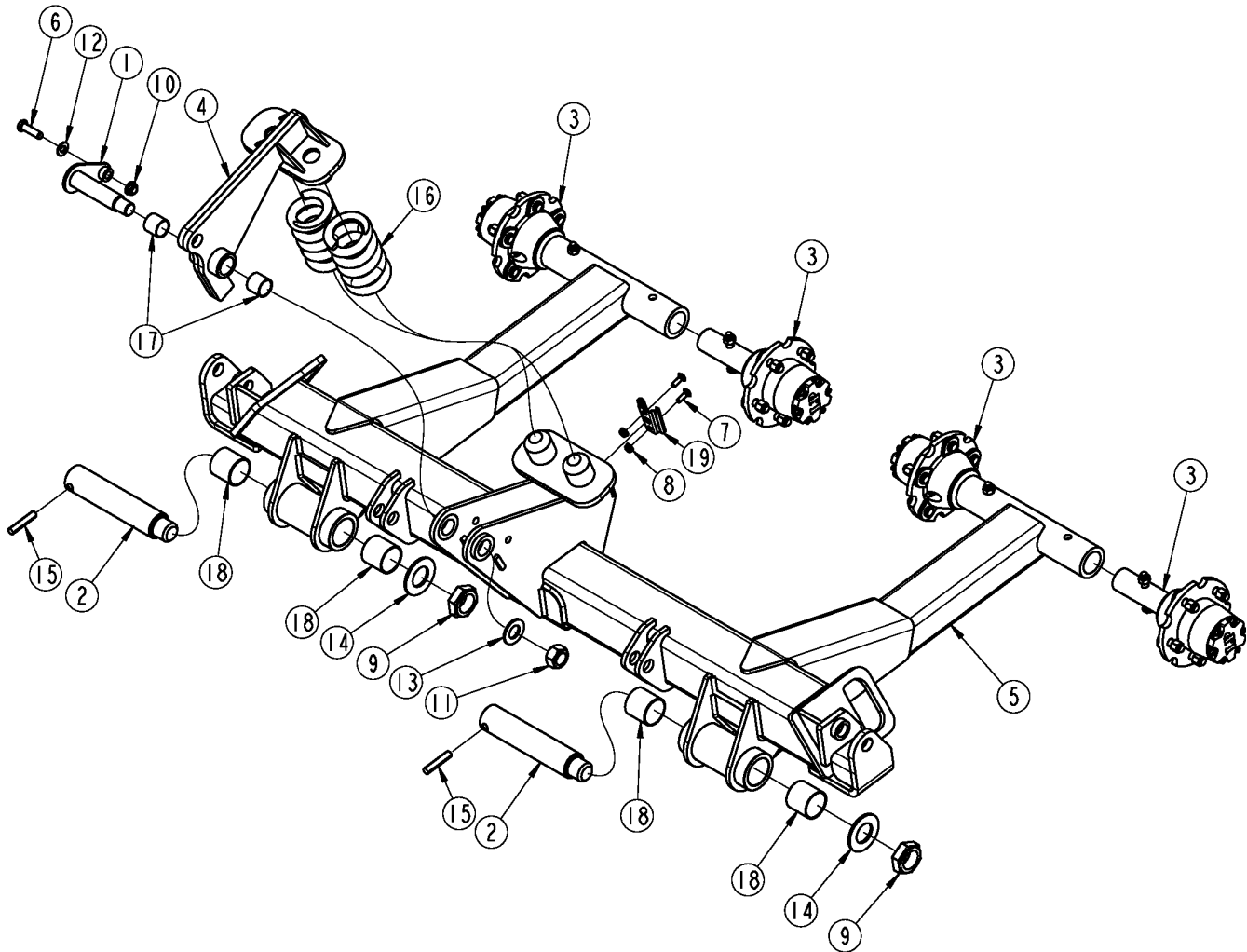
---

**Applies to RC5715, RCM5715**

<b>Ref</b>	<b>Part No.</b>	<b>Part Description</b>	<b>Comments</b>	<b>Revision</b>
	Dwg 39163 318-920S	Image No. MANUAL STORAGE CONTAINER KIT *		
1.	802-005C	HHCS 1/4-20X1 GR5		
2.	803-255C	NUT HEX NYLOCK 1/4-20		
3.	804-007C	WASHER FLAT 1/4 SAE PLT		
4.	816-481C	MANUAL STORAGE CONTAINER		

# Axle Center HD Single Suspension

Applies to RC5715, RCM5715



74201

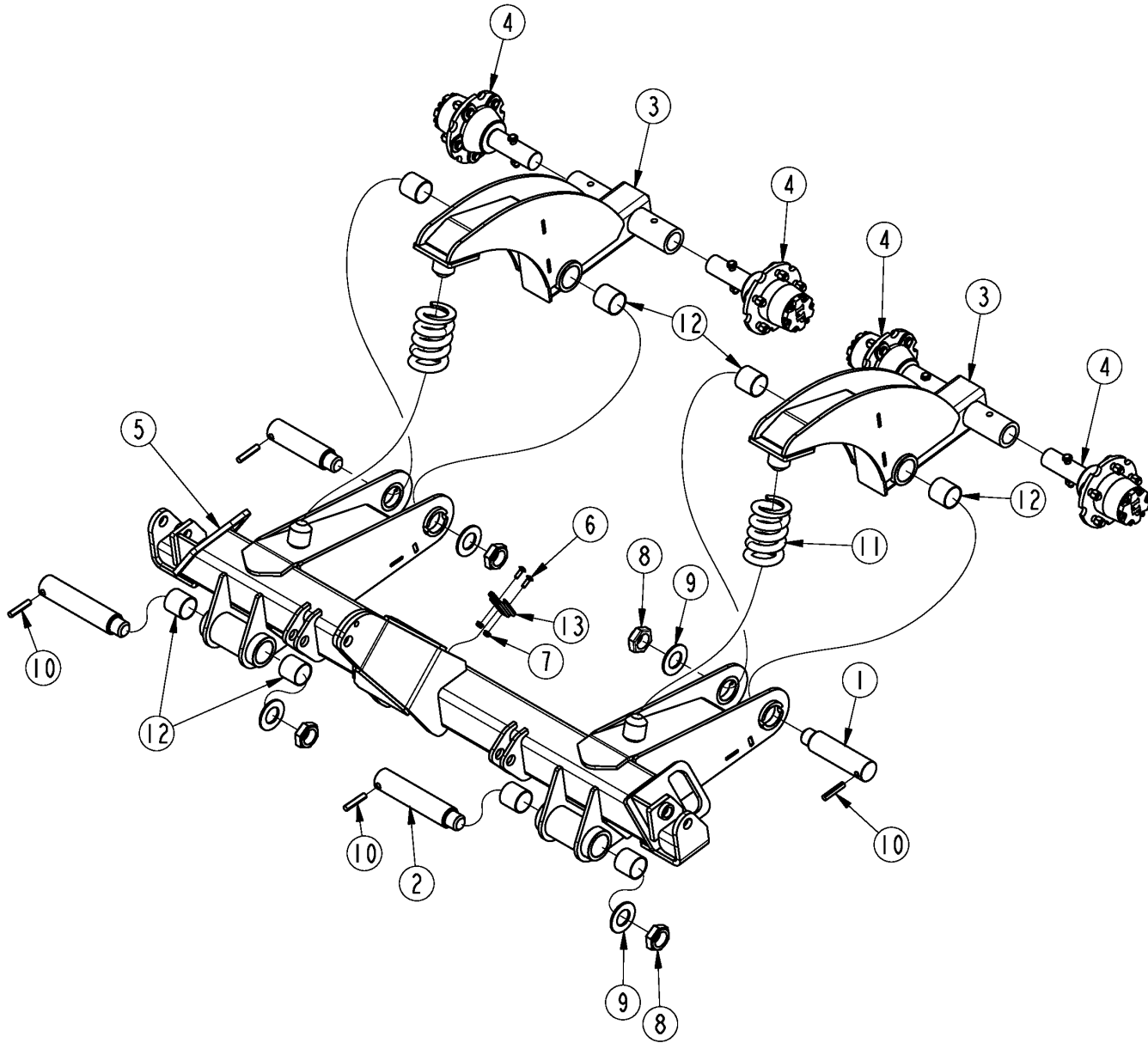


**Axle Center HD Single Suspension****Applies to RC5715, RCM5715**

<b>Ref</b>	<b>Part No.</b>	<b>Part Description</b>	<b>Comments</b>	<b>Revision</b>
	Dwg 74201	Image No.		
1.	331-709H	PIVOT PIN 4.5" USEABLE		
2.	334-115D	PIVOT PIN CENTER AXLE 2"OD		
3.	334-616V	HEAVY 5 BOLT HUB ASY		
4.	334-729H	CENTER SPRING ROCKER		
5.	337-031H	HD SINGLE SUSP CENTER AXLE		
6.	802-082C	HHCS 1/2-13X1 3/4 GR5 FTHD		
7.	802-282C	RHSNB 5/16-18X1 GR5		
8.	803-043C	NUT HEX WHIZ 5/16-18 PLT		
9.	803-111C	NUT LT JAM 1 1/2-12 NYLN INSRT		
10.	803-169C	NUT HEX FLG LOCK 1/2-13 PLT		
11.	803-316C	NUT HEX LOCK 1-8 PLT		
12.	804-016C	WASHER FLAT 1/2 SAE PLT		
13.	804-029C	WASHER FLAT 1 SAE		
14.	804-071C	WASHER FLAT 1 1/2 SAE PLT		
15.	805-612C	PIN GROOVE 1/2X2 1/2 TYPE A		
16.	807-390C	SPRING COMP 3.625OD .718W 5.5L		
17.	827-158C	SLEEVE BEARING 1.25ID X 1.25		
18.	827-185C	SLEEVE BEARING 2.0ID X 2.0		
19.	890-401C	SMV MOUNTING SOCKET		

# Axle Center Independent Suspension

Applies to RC5715, RCM5715



74206

***Axle Center Independent Suspension***

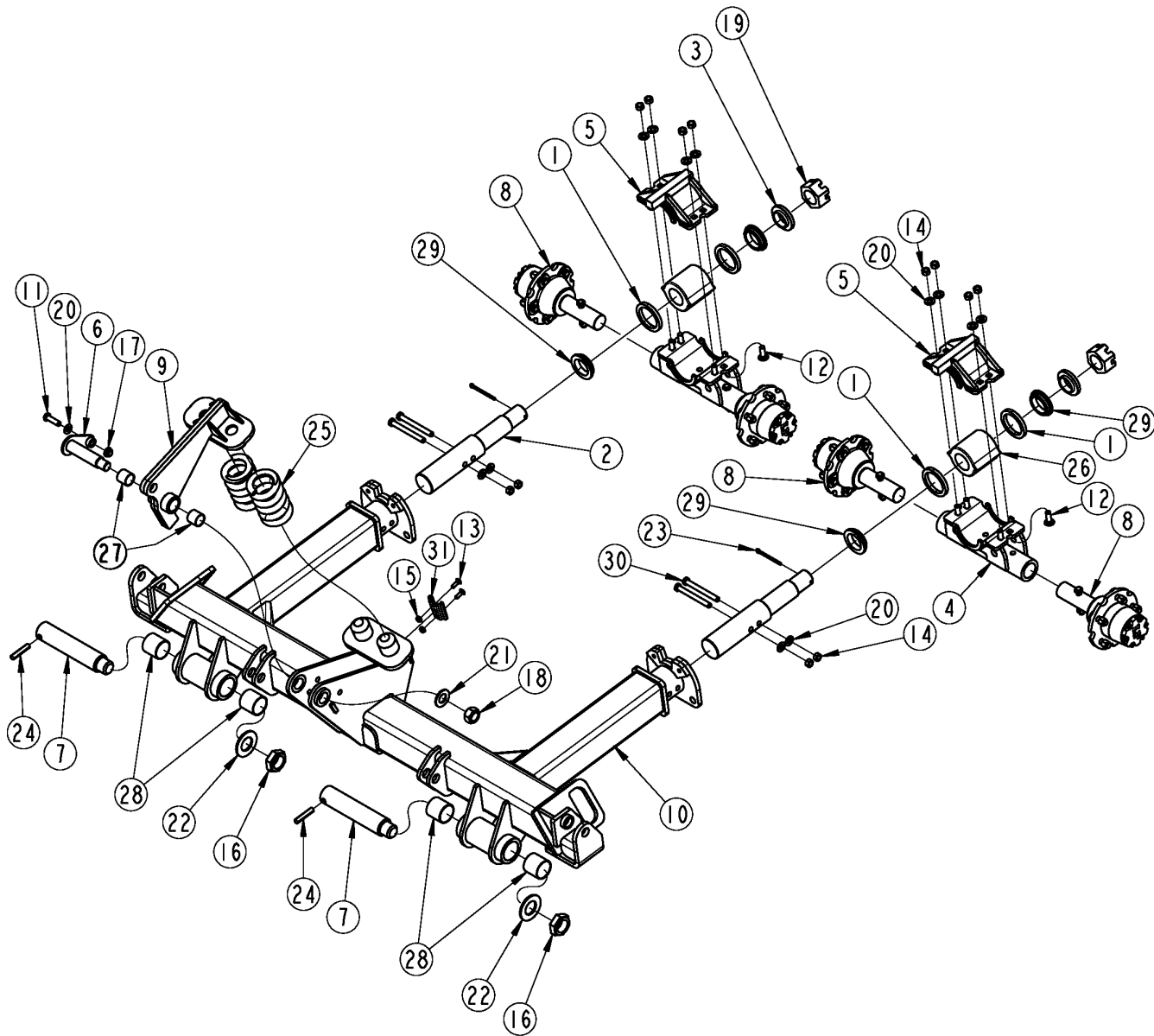
---

**Applies to RC5715, RCM5715**

<b>Ref</b>	<b>Part No.</b>	<b>Part Description</b>	<b>Comments</b>	<b>Revision</b>
	Dwg 74206	Image No.		
1.	331-893D	PIVOT PIN 6.5" USEABLE		
2.	334-115D	PIVOT PIN CENTER AXLE 2"OD		
3.	334-486H	AXLE ROCKER		
4.	334-616V	HEAVY 5 BOLT HUB ASY		
5.	337-023H	IND SUSP CENTER AXLE, STD		
6.	802-282C	RHSNB 5/16-18X1 GR5		
7.	803-043C	NUT HEX WHIZ 5/16-18 PLT		
8.	803-111C	NUT LT JAM 1 1/2-12 NYLN INSRT		
9.	804-071C	WASHER FLAT 1 1/2 SAE PLT		
10.	805-612C	PIN GROOVE 1/2X2 1/2 TYPE A		
11.	807-390C	SPRING COMP 3.625OD .718W 5.5L		
12.	827-185C	SLEEVE BEARING 2.0ID X 2.0		
13.	890-401C	SMV MOUNTING SOCKET		

# Axle Center Parallel Pivot

Applies to RC5715, RCM5715



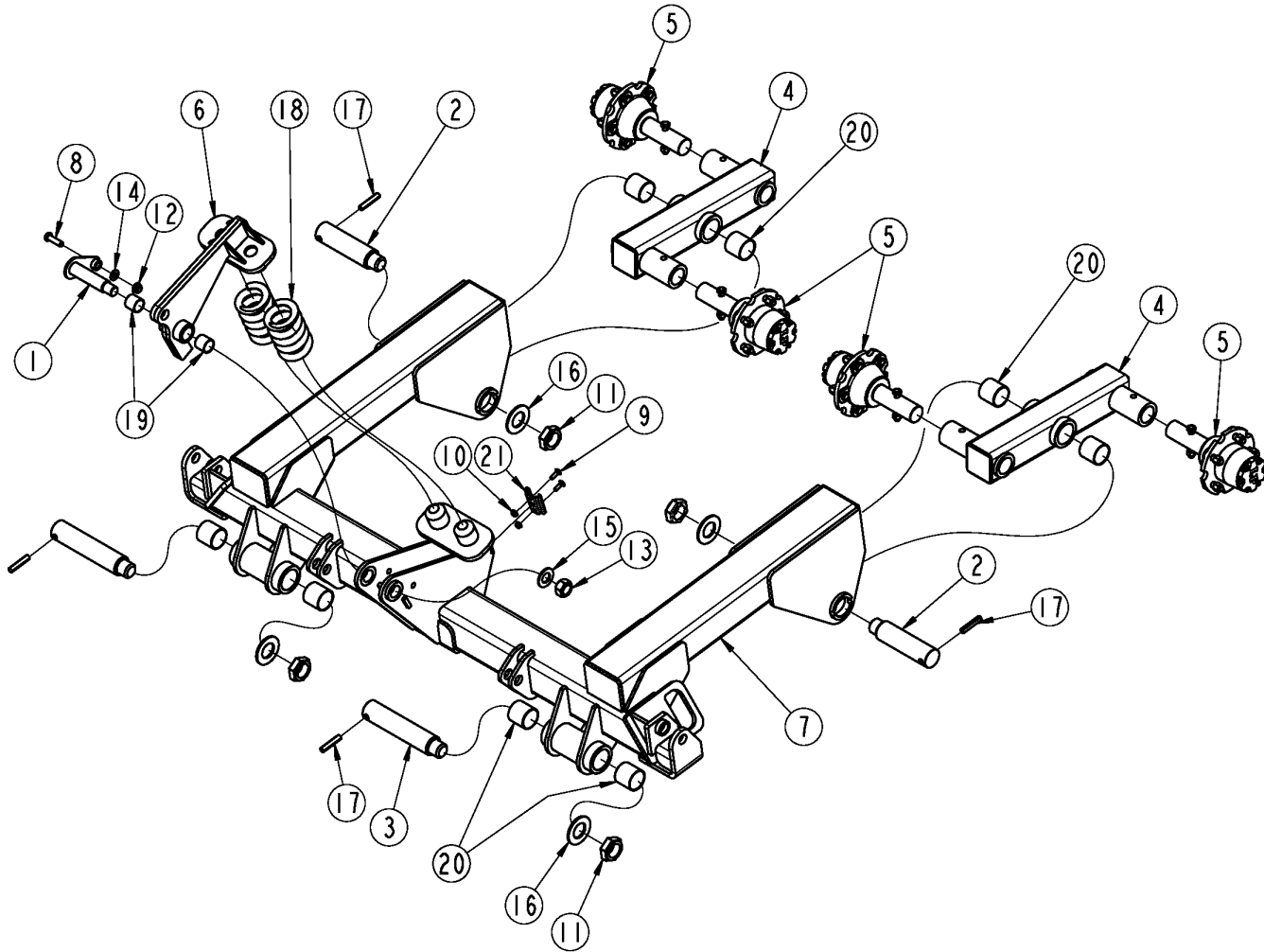
74210

**Axle Center Parallel Pivot****Applies to RC5715, RCM5715**

<b>Ref</b>	<b>Part No.</b>	<b>Part Description</b>	<b>Comments</b>	<b>Revision</b>
	Dwg 74210	Image No.		
1.	330-787D	WEAR RING		
2.	331-018D	PIVOT SPINDLE		
3.	331-022D	PARALLEL PIVOT STEP BUSHING		
4.	331-184H	PARALLEL PIVOT SPINDLE REC		
5.	331-187H	PARALLEL PIVOT BRACKET		
6.	331-709H	PIVOT PIN 4.5" USEABLE		
7.	334-115D	PIVOT PIN CENTER AXLE 2"OD		
8.	334-616V	HEAVY 5 BOLT HUB ASY		
9.	334-729H	CENTER SPRING ROCKER		
10.	337-026H	CENTER AXLE, STD PAR PIV		
11.	802-082C	HHCS 1/2-13X1 3/4 GR5 FTHD		
12.	802-106C	RHSNB 1/2-13X1 1/2 GR5		
13.	802-282C	RHSNB 5/16-18X1 GR5		
14.	803-019C	NUT LOCK 1/2-13 PLT		
15.	803-043C	NUT HEX WHIZ 5/16-18 PLT		
16.	803-111C	NUT LT JAM 1 1/2-12 NYLN INSRT		
17.	803-169C	NUT HEX FLG LOCK 1/2-13 PLT		
18.	803-316C	NUT HEX LOCK 1-8 PLT		
19.	803-339C	NUT HEX SLOTTED 1 3/4-5 REGULR		
20.	804-016C	WASHER FLAT 1/2 SAE PLT		
21.	804-029C	WASHER FLAT 1 SAE		
22.	804-071C	WASHER FLAT 1 1/2 SAE PLT		
23.	805-115C	PIN COTTER 1/4 X 3 PLT		
24.	805-612C	PIN GROOVE 1/2X2 1/2 TYPE A		
25.	807-390C	SPRING COMP 3.625OD .718W 5.5L		
26.	816-791C	PARALLEL PIVOT RUBBER ELEMENT		
27.	827-158C	SLEEVE BEARING 1.25ID X 1.25		
28.	827-185C	SLEEVE BEARING 2.0ID X 2.0		
29.	837-001C	PLASTIC COLLAR		
30.	842-492C	HHCS 1/2-13X4 3/4 GR8		
31.	890-401C	SMV MOUNTING SOCKET		

# Axle Center Walking Tandem

Applies to RC5715, RCM5715



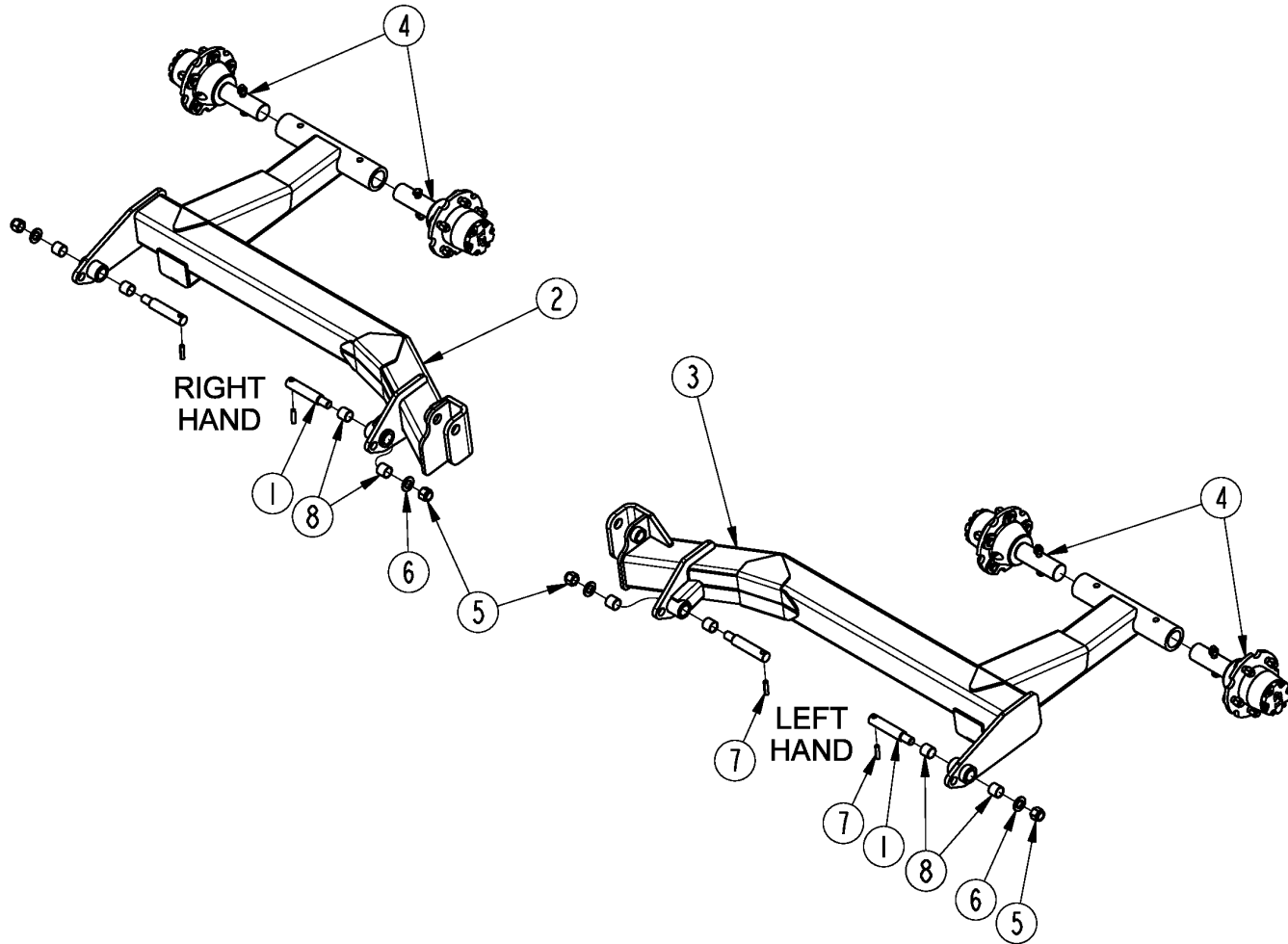
74213

***Axle Center Walking Tandem*****Applies to RC5715, RCM5715**

<b>Ref</b>	<b>Part No.</b>	<b>Part Description</b>	<b>Comments</b>	<b>Revision</b>
	Dwg 74213	Image No.		
1.	331-709H	PIVOT PIN 4.5" USEABLE		
2.	331-893D	PIVOT PIN 6.5" USEABLE		
3.	334-115D	PIVOT PIN CENTER AXLE 2"OD		
4.	334-495H	WALKING TANDEM ARM		
5.	334-616V	HEAVY 5 BOLT HUB ASY		
6.	334-729H	CENTER SPRING ROCKER		
7.	337-030H	CENTER AXLE, STD WALK TANDEM		
8.	802-082C	HHCS 1/2-13X1 3/4 GR5 FTHD		
9.	802-282C	RHSNB 5/16-18X1 GR5		
10.	803-043C	NUT HEX WHIZ 5/16-18 PLT		
11.	803-111C	NUT LT JAM 1 1/2-12 NYLN INSRT		
12.	803-169C	NUT HEX FLG LOCK 1/2-13 PLT		
13.	803-316C	NUT HEX LOCK 1-8 PLT		
14.	804-016C	WASHER FLAT 1/2 SAE PLT		
15.	804-029C	WASHER FLAT 1 SAE		
16.	804-071C	WASHER FLAT 1 1/2 SAE PLT		
17.	805-612C	PIN GROOVE 1/2X2 1/2 TYPE A		
18.	807-390C	SPRING COMP 3.625OD .718W 5.5L		
19.	827-158C	SLEEVE BEARING 1.25ID X 1.25		
20.	827-185C	SLEEVE BEARING 2.0ID X 2.0		
21.	890-401C	SMV MOUNTING SOCKET		

# Axle Wings HD Single Suspension

Applies to RC5715, RCM5715



74215



***Axle Wings HD Single Suspension***

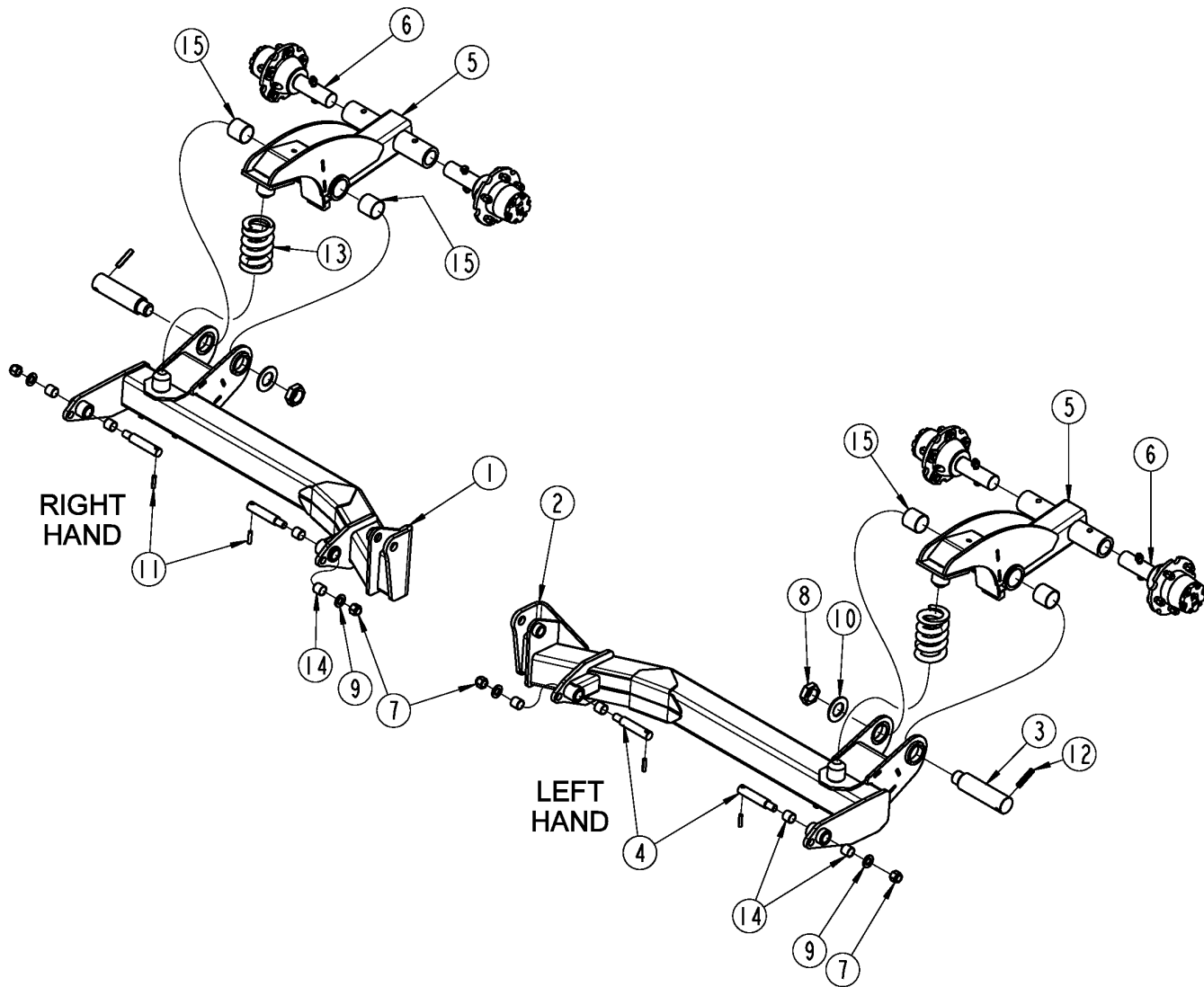
---

**Applies to RC5715, RCM5715**

<b>Ref</b>	<b>Part No.</b>	<b>Part Description</b>	<b>Comments</b>	<b>Revision</b>
	Dwg 74215	Image No.		
1.	331-958D	PIVOT PIN 1" SHORT		
2.	334-516H	RH HD SINGLE SUSP AXLE		
3.	334-517H	LH HD SINGLE SUSP AXLE		
4.	334-616V	HEAVY 5 BOLT HUB ASY		
5.	803-025C	NUT HEX 3/4-10 PLT NYLOCK		
6.	804-025C	WASHER FLAT 3/4 SAE PLT		
7.	805-577C	PIN SPIRAL 3/8X1 1/2 HVY DUTY		
8.	817-875C	SLEEVE BEARING 1 I.D.		

# Axle Wings Independent Suspension

Applies to RC5715, RCM5715



74216

***Axle Wings Independent Suspension***

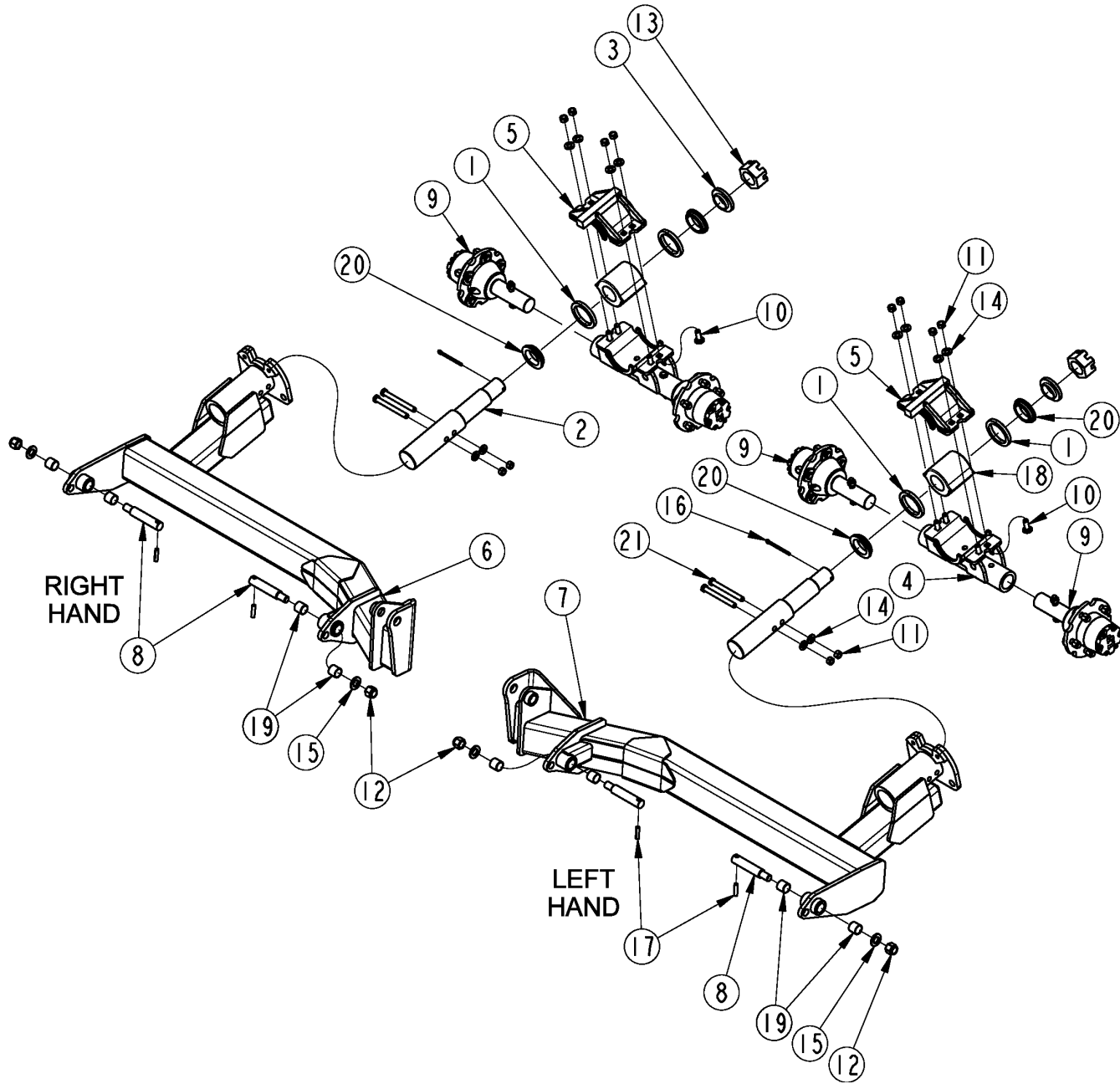
---

**Applies to RC5715, RCM5715**

<b>Ref</b>	<b>Part No.</b>	<b>Part Description</b>	<b>Comments</b>	<b>Revision</b>
	Dwg 74216	Image No.		
1.	331-707H	RH STD WING AXLE		
2.	331-725H	LH STD WING AXLE		
3.	331-893D	PIVOT PIN 6.5" USEABLE		
4.	331-958D	PIVOT PIN 1" SHORT		
5.	334-501H	WING AXLE ROCKER		
6.	334-616V	HEAVY 5 BOLT HUB ASY		
7.	803-025C	NUT HEX 3/4-10 PLT NYLOCK		
8.	803-111C	NUT LT JAM 1 1/2-12 NYLN INSRT		
9.	804-025C	WASHER FLAT 3/4 SAE PLT		
10.	804-071C	WASHER FLAT 1 1/2 SAE PLT		
11.	805-577C	PIN SPIRAL 3/8X1 1/2 HVY DUTY		
12.	805-612C	PIN GROOVE 1/2X2 1/2 TYPE A		
13.	807-390C	SPRING COMP 3.625OD .718W 5.5L		
14.	817-875C	SLEEVE BEARING 1 I.D.		
15.	827-185C	SLEEVE BEARING 2.0ID X 2.		

# Axle Wings Parallel Pivot

Applies to RC5715, RCM5715



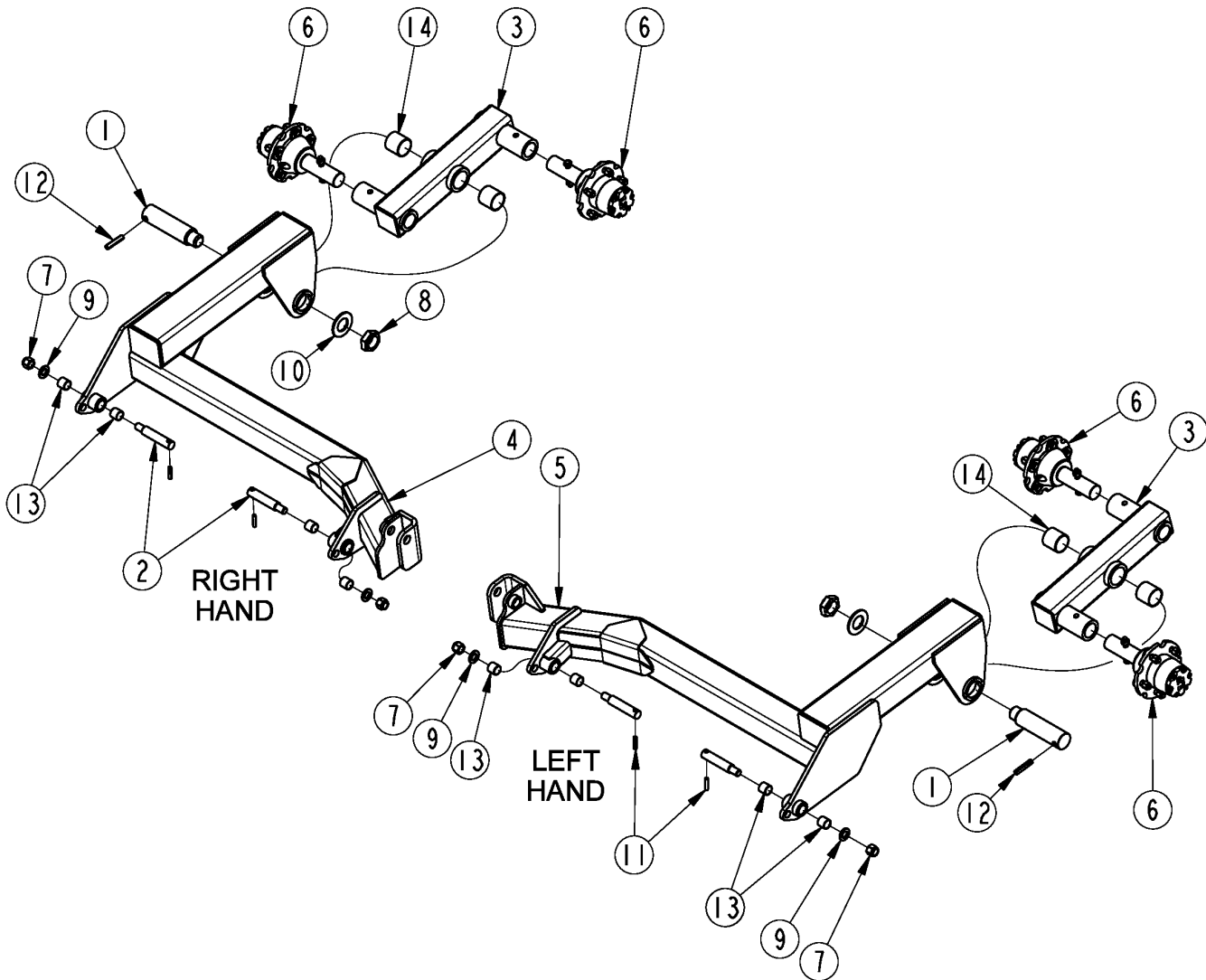
74218

***Axle Wings Parallel Pivot*****Applies to RC5715, RCM5715**

<b>Ref</b>	<b>Part No.</b>	<b>Part Description</b>	<b>Comments</b>	<b>Revision</b>
	Dwg 74218	Image No.		
1.	330-787D	WEAR RING		
2.	331-018D	PIVOT SPINDLE		
3.	331-022D	PARALLEL PIVOT STEP BUSHING		
4.	331-184H	PARALLEL PIVOT SPINDLE REC		
5.	331-187H	PARALLEL PIVOT BRACKET		
6.	331-761H	RH AXLE, STD PAR PIV		
7.	331-771H	LH AXLE, STD PAR PIV		
8.	331-958D	PIVOT PIN 1" SHORT		
9.	334-616V	HEAVY 5 BOLT HUB ASY		
10.	802-106C	RHSNB 1/2-13X1 1/2 GR5		
11.	803-019C	NUT LOCK 1/2-13 PLT		
12.	803-025C	NUT HEX 3/4-10 PLT NYLOCK		
13.	803-339C	NUT HEX SLOTTED 1 3/4-5 REGULR		
14.	804-016C	WASHER FLAT 1/2 SAE PLT		
15.	804-025C	WASHER FLAT 3/4 SAE PLT		
16.	805-115C	PIN COTTER 1/4 X 3 PLT		
17.	805-577C	PIN SPIRAL 3/8X1 1/2 HVY DUTY		
18.	816-791C	PARALLEL PIVOT RUBBER ELEMENT		
19.	817-875C	SLEEVE BEARING 1 I.D.		
20.	837-001C	PLASTIC COLLAR		
21.	842-492C	HHCS 1/2-13X4 3/4 GR8		

# Axle Wings Walking Tandem

Applies to RC5715, RCM5715



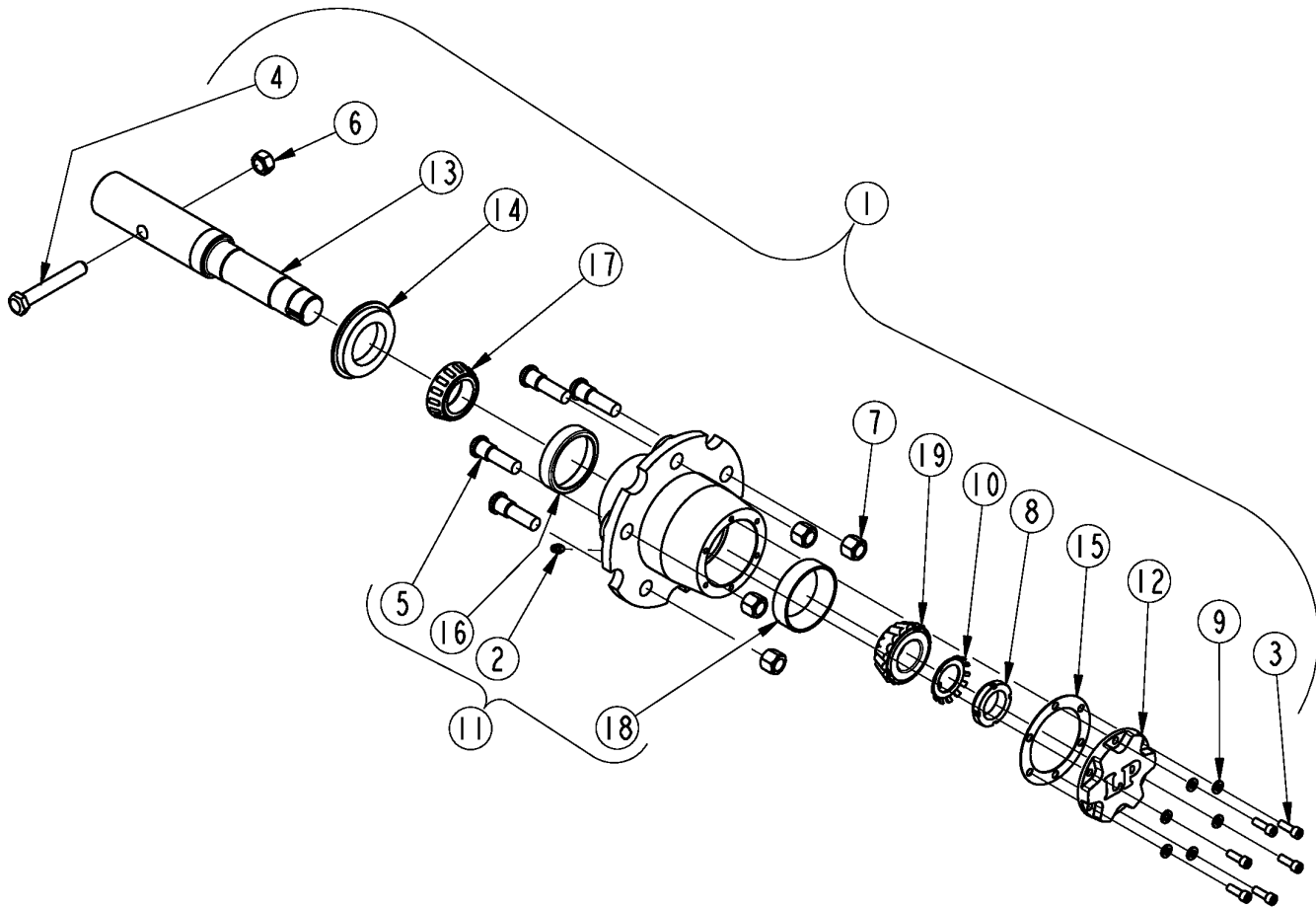
74217

***Axle Wings Walking Tandem*****Applies to RC5715, RCM5715**

<b>Ref</b>	<b>Part No.</b>	<b>Part Description</b>	<b>Comments</b>	<b>Revision</b>
	Dwg 74217	Image No.		
1.	331-893D	PIVOT PIN 6.5" USEABLE		
2.	331-958D	PIVOT PIN 1" SHORT		
3.	334-495H	WALKING TANDEM ARM		
4.	334-500H	RH WALK TAND AXLE, STD		
5.	334-508H	LH WALKING TAND AXLE, STD		
6.	334-616V	HEAVY 5 BOLT HUB ASY		
7.	803-025C	NUT HEX 3/4-10 PLT NYLOCK		
8.	803-111C	NUT LT JAM 1 1/2-12 NYLN INSRT		
9.	804-025C	WASHER FLAT 3/4 SAE PLT		
10.	804-071C	WASHER FLAT 1 1/2 SAE PLT		
11.	805-577C	PIN SPIRAL 3/8X1 1/2 HVY DUTY		
12.	805-612C	PIN GROOVE 1/2X2 1/2 TYPE A		
13.	817-875C	SLEEVE BEARING 1 I.D.		
14.	827-185C	SLEEVE BEARING 2.0ID X 2.0		

# Spindle & HD Hub Assembly (334-616V)

Applies to RC5715, RCM5715



74222



**Spindle & HD Hub Assembly (334-616V)**

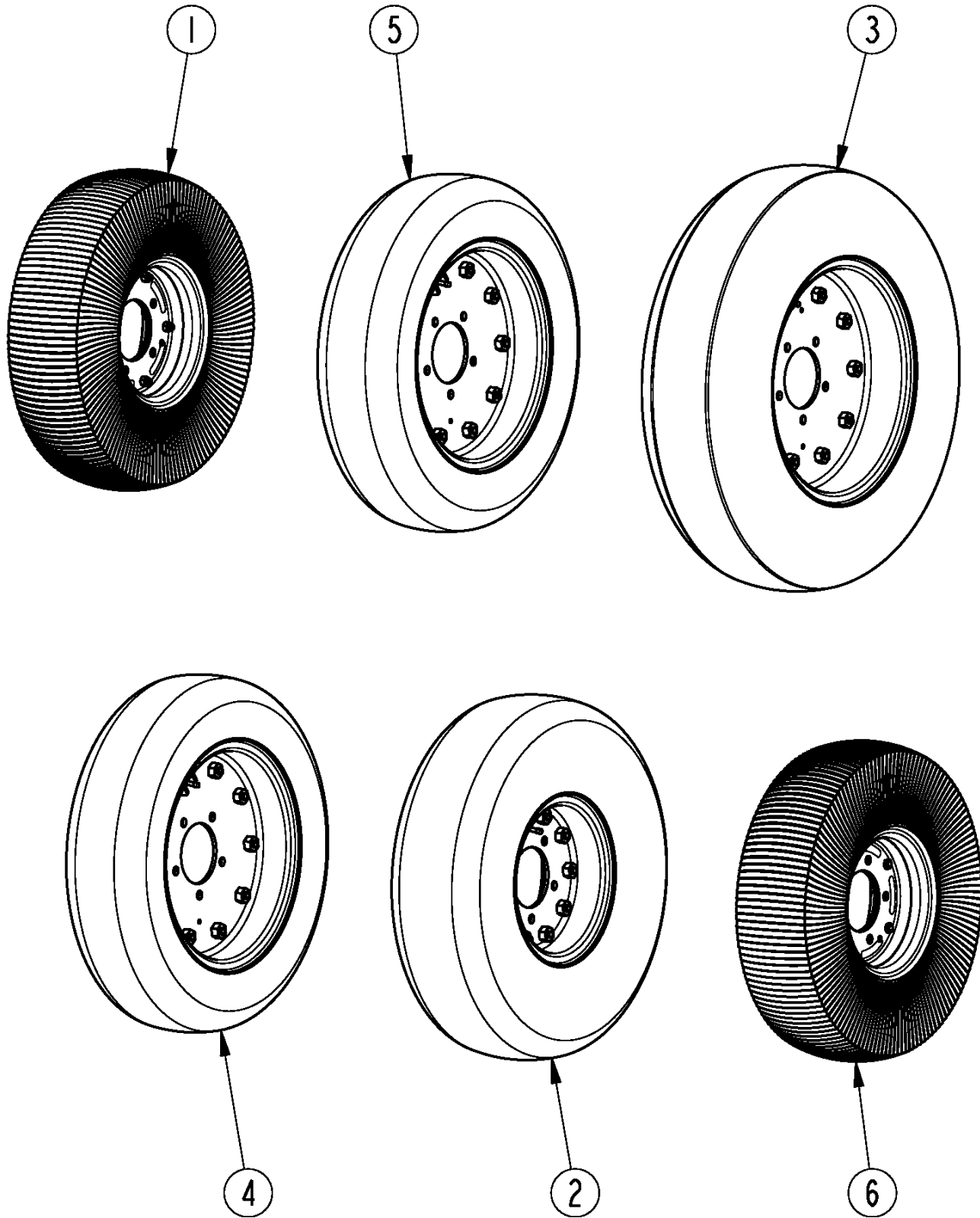
---

**Applies to RC5715, RCM5715**

<b>Ref</b>	<b>Part No.</b>	<b>Part Description</b>	<b>Comments</b>	<b>Revision</b>
	Dwg 74222	Image No.		
1.	334-616V	HEAVY 5 BOLT HUB ASY	Complete Assembly	
2.	800-001C	GREASE ZERK STRAIGHT 1/4-28		
3.	801-070C	HSHCS 1/4-20X3/4 NYL		
4.	802-099C	HHCS 1/2-13X3 1/4 GR5		
5.	802-779C	HUB STUD 1/2-20X1.88 GR5		
6.	803-019C	NUT LOCK 1/2-13 PLT		
7.	803-310C	NUT HEX 1/2-20 X 5/8 HIGH		
8.	803-496C	NUT BRG LOCK N06		
9.	804-006C	WASHER LOCK SPRING 1/4 PLT		
10.	804-309C	WASHER BEARING LOCK WH06		
11.	812-574C	HEAVY 5 BOLT HUB		
12.	812-578C	HUB CAP		
13.	815-565C	HD HUB SPINDLE		
14.	816-835C	HD PURGEABLE SEAL 1.75X2.71		
15.	816-966C	HUB SEAL		
16.	822-033C	BRG CUP LM-48510		
17.	822-034C	BRG CONE LM-48548		
18.	822-344C	BRG CUP M88010		
19.	822-345C	BRG CONE M88046		

# Tire Options

Applies to RC5715, RCM5715



70909

## ***Tire Options***

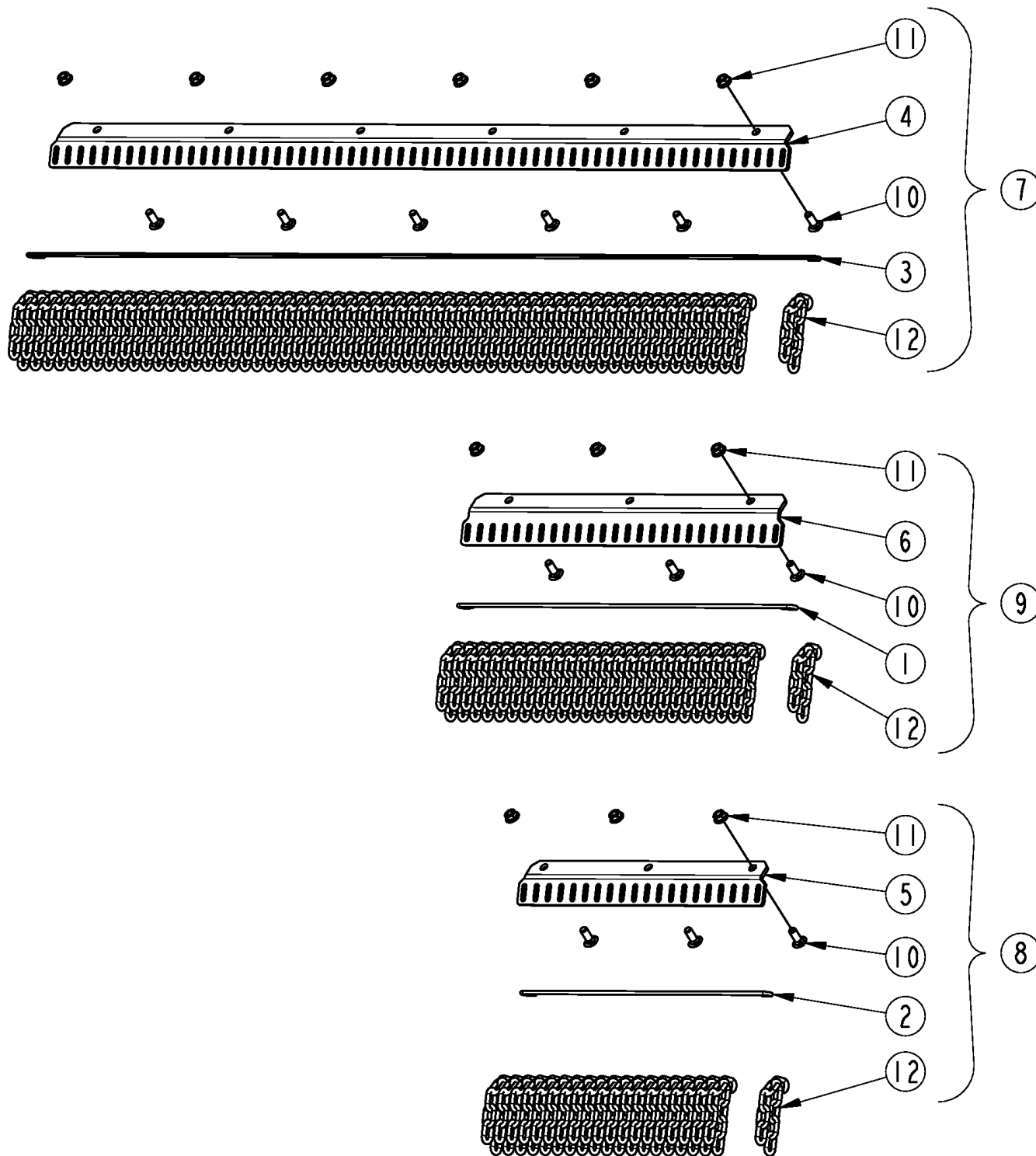
---

### **Applies to RC5715, RCM5715**

<b>Ref</b>	<b>Part No.</b>	<b>Part Description</b>	<b>Comments</b>	<b>Revision</b>
	Dwg 70632	Image No.		
1.	814-265C	TIRE & WHL LAM. 6X9X21(5-BOLT)		
2.	814-288C	AC TIRE FF 24X7.7 2PC 5-BOLT		
3.	814-449C	TIRE, AC 29" 16 PLY 5 BOLT		
4.	814-478C	NEW TIRE FF 25.5X8-14 20PLY		
5.	814-480C	NEW TIRE 25.5X8-14 20PLY		
6.	814-673C	TIRE & WHL LAM 6X26 (5-BOLT)		

### Guards Chain Double Row Front

Applies to RC5715, RCM5715



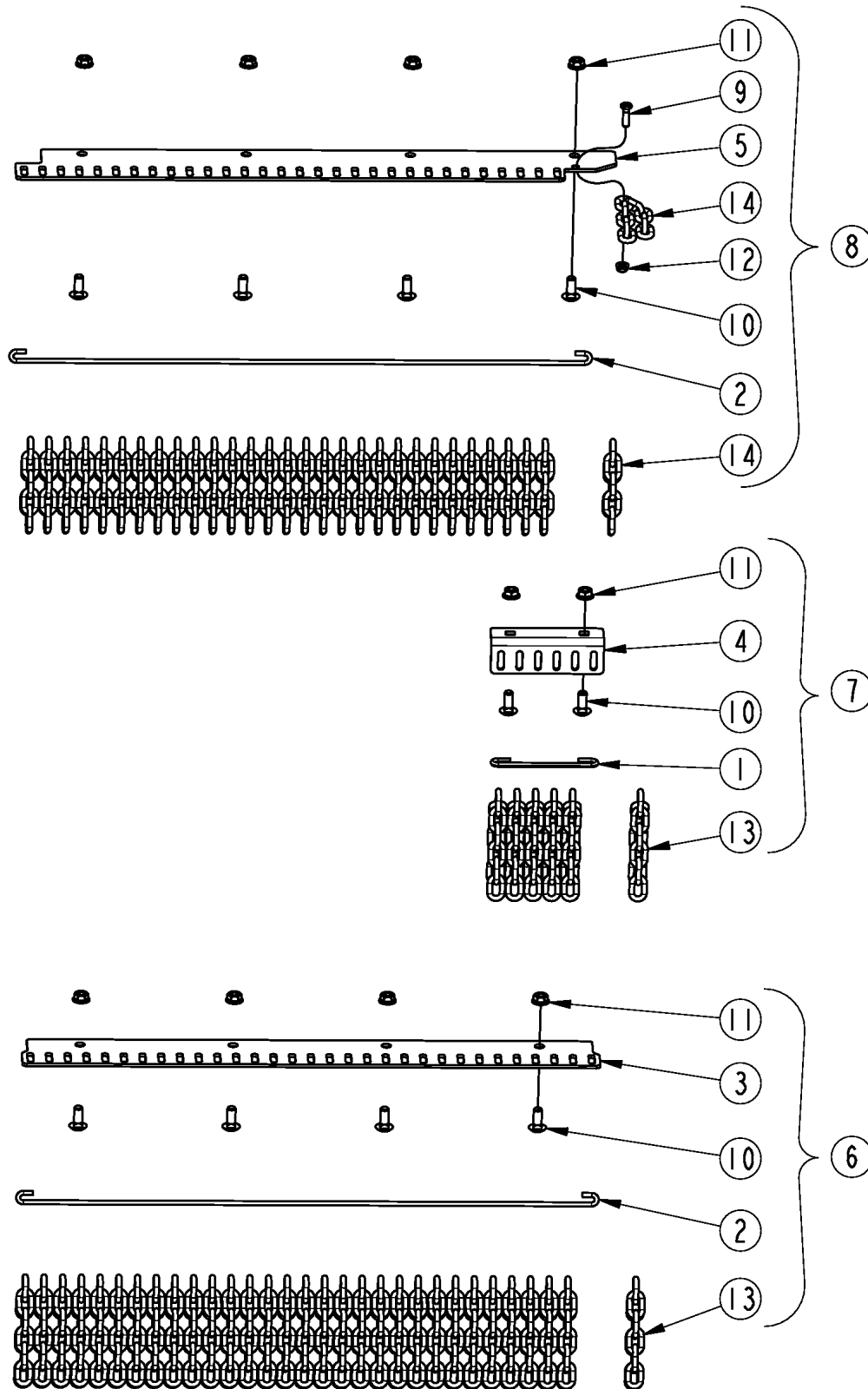
70912

**Guards Chain Double Row Front****Applies to RC5715, RCM5715**

<b>Ref</b>	<b>Part No.</b>	<b>Part Description</b>	<b>Comments</b>	<b>Revision</b>
	Dwg 70912 331-993A	Image No. DOUBLE CHAIN GUARDS		
			Includes complete front and rear double chain guard assemblies	
1.	318-143D	ROUND ROD 1/4 X 34		
2.	318-337D	ROUND ROD 1/4 X 25		
3.	318-477D	ROUND ROD .25 X 74.50		
4.	331-234D	CHAIN GUARD, FNT WING		
5.	331-235D	CHAIN GUARD, FNT CTR OUTSIDE		
6.	331-236D	CHAIN GUARD, FNT CTR		
7.	331-736K	CHAIN GUARD, DBL FNT WING	Left & right wing deck guard	
8.	331-737K	CHAIN GUARD, DBL FNT CTR OUTER	Center deck outer guard	
9.	331-738K	CHAIN GUARD, DBL FNT CTR	Center deck guard	
10.	802-214C	RHSNB 1/2-13X1 1/4 GR5		
11.	803-037C	NUT HEX WHIZ 1/2-13 PLT GR5		
12.	891-212C	CHAIN WELD 5/16 GR 43 X 9-LINK		

# Guards Chain Double Row Rear

Applies to RC5715, RCM5715



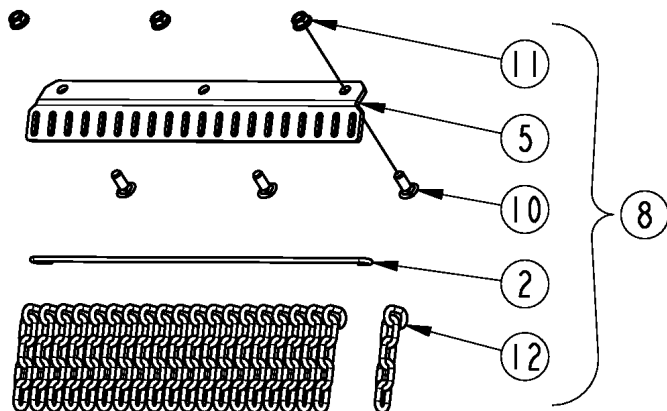
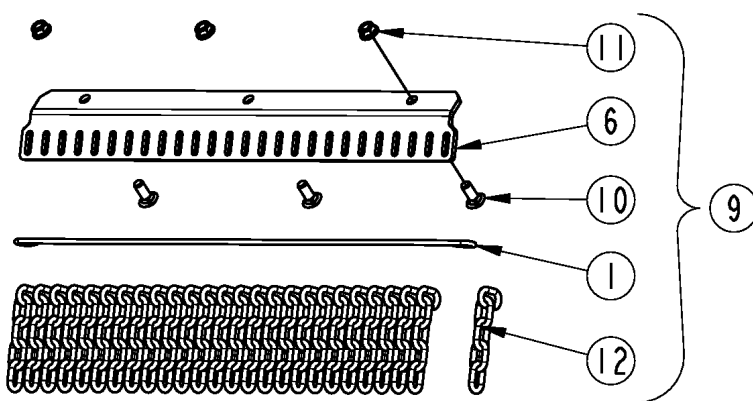
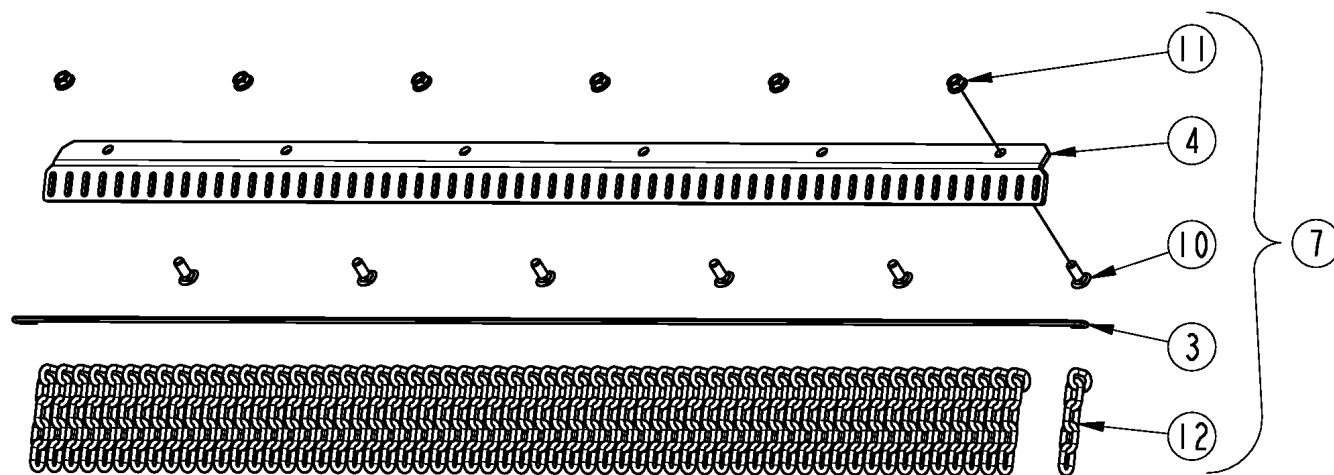
70913

**Guards Chain Double Row Rear****Applies to RC5715, RCM5715**

<b>Ref</b>	<b>Part No.</b>	<b>Part Description</b>	<b>Comments</b>	<b>Revision</b>
	Dwg 70913 331-993A	Image No. DOUBLE CHAIN GUARDS	Includes complete front and rear double chain guard assemblies	
1.	318-641D	ROUND ROD .25 X 9		
2.	326-535D	ROUND ROD 1/4 X 37 3/4		
3.	331-237D	CHAIN GUARD, REAR CTR		
4.	331-238D	CHAIN GUARD, REAR CTR OUTER		
5.	331-239D	CHAIN GUARD, REAR WING		
6.	331-739K	CHAIN GUARD, DBL REAR CTR	Center deck guard	
7.	331-740K	CHAIN GUARD, DBL REAR CTR OUT	Center deck outer guards	
8.	331-741K	CHAIN GUARD, DBL REAR RH WING	Right wing deck guard	
8.	331-742K	CHAIN GUARD, DBL REAR LH WING	Left wing deck guard	
9.	802-079C	HHCS 3/8-16X1 1/4 GR5		
10.	802-214C	RHSNB 1/2-13X1 1/4 GR5		
11.	803-037C	NUT HEX WHIZ 1/2-13 PLT GR5		
12.	803-209C	NUT FLANGE LOCK 3/8-16 PLT		
13.	891-208C	CHAIN WELD 5/16 GR 43X11-LINK		
14.	891-212C	CHAIN WELD 5/16 GR 43 X 9-LINK		

# Guards Chain Single Row Front

Applies to RC5715, RCM5715



70910

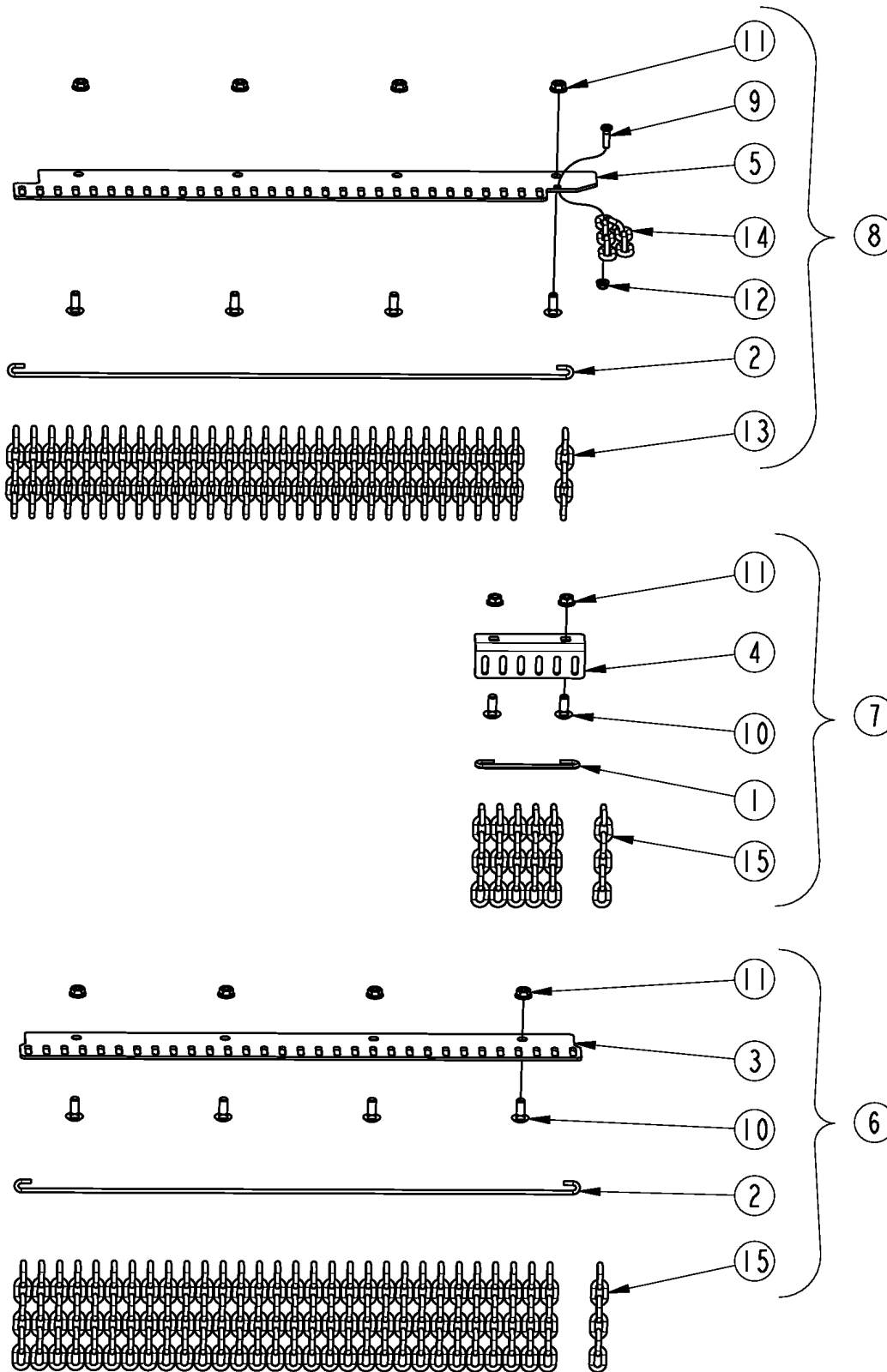


**Guards Chain Single Row Front****Applies to RC5715, RCM5715**

<b>Ref</b>	<b>Part No.</b>	<b>Part Description</b>	<b>Comments</b>	<b>Revision</b>
	Dwg 70910 331-992A	Image No. SINGLE CHAIN GUARDS		
			Includes complete front and rear single chain guard assemblies	
1.	318-143D	ROUND ROD 1/4 X 34		
2.	318-337D	ROUND ROD 1/4 X 25		
3.	318-477D	ROUND ROD .25 X 74.50		
4.	331-234D	CHAIN GUARD, FNT WING		
5.	331-235D	CHAIN GUARD, FNT CTR OUTSIDE		
6.	331-236D	CHAIN GUARD, FNT CTR		
7.	331-727K	CHAIN GUARD, SGL FNT WING	Left & right wing deck guard	
8.	331-728K	CHAIN GUARD, SGL FNT CTR OUTER	Center deck outer guard	
9.	331-729K	CHAIN GUARD, SGL FNT CTR	Center deck guard	
10.	802-214C	RHSNB 1/2-13X1 1/4 GR5		
11.	803-037C	NUT HEX WHIZ 1/2-13 PLT GR5		
12.	890-341C	CHAIN WELD 5/16 GR 43 X 5 LINK		

# Guards Chain Single Row Rear

Applies to RC5715, RCM5715



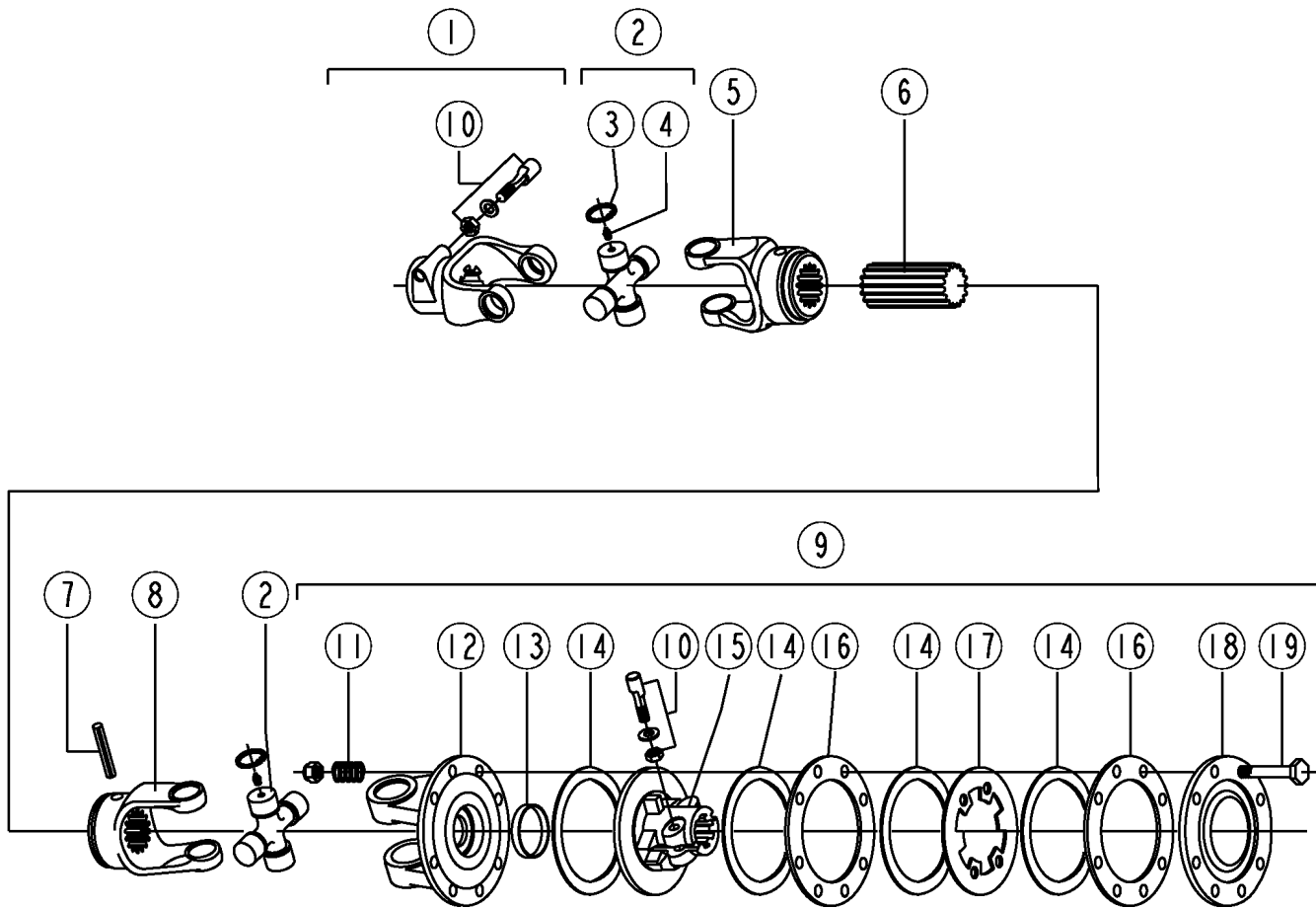
70911

**Guards Chain Single Row Rear****Applies to RC5715, RCM5715**

<b>Ref</b>	<b>Part No.</b>	<b>Part Description</b>	<b>Comments</b>	<b>Revision</b>
	Dwg 70911 331-992A	Image No. SINGLE CHAIN GUARDS	Includes complete front and rear single chain guard assemblies	
1.	318-641D	ROUND ROD .25 X 9		
2.	326-535D	ROUND ROD 1/4 X 37 3/4		
3.	331-237D	CHAIN GUARD, REAR CTR		
4.	331-238D	CHAIN GUARD, REAR CTR OUTER		
5.	331-239D	CHAIN GUARD, REAR WING		
6.	331-730K	CHAIN GUARD, SGL REAR CTR	Center deck guard	
7.	331-731K	CHAIN GUARD, SGL REAR CTR OUT	Center deck outer guards	
8.	331-735K	CHAIN GUARD, SGL REAR LH WING	Left wing deck guard	
8.	331-734K	CHAIN GUARD, SGL REAR RH WING	Right wing deck guard	
9.	802-079C	HHCS 3/8-16X1 1/4 GR5		
10.	802-214C	RHSNB 1/2-13X1 1/4 GR5		
11.	803-037C	NUT HEX WHIZ 1/2-13 PLT GR5		
12.	803-209C	NUT FLANGE LOCK 3/8-16 PLT		
13.	890-341C	CHAIN WELD 5/16 GR 43 X 5 LINK		
14.	891-212C	CHAIN WELD 5/16 GR 43 X 9-LINK		
15.	890-175C	CHAIN 5/16 GR 43 X 6 LINKS PLT		

**Driveline Center (826-818C)**

Applies to RC5715, RCM5715



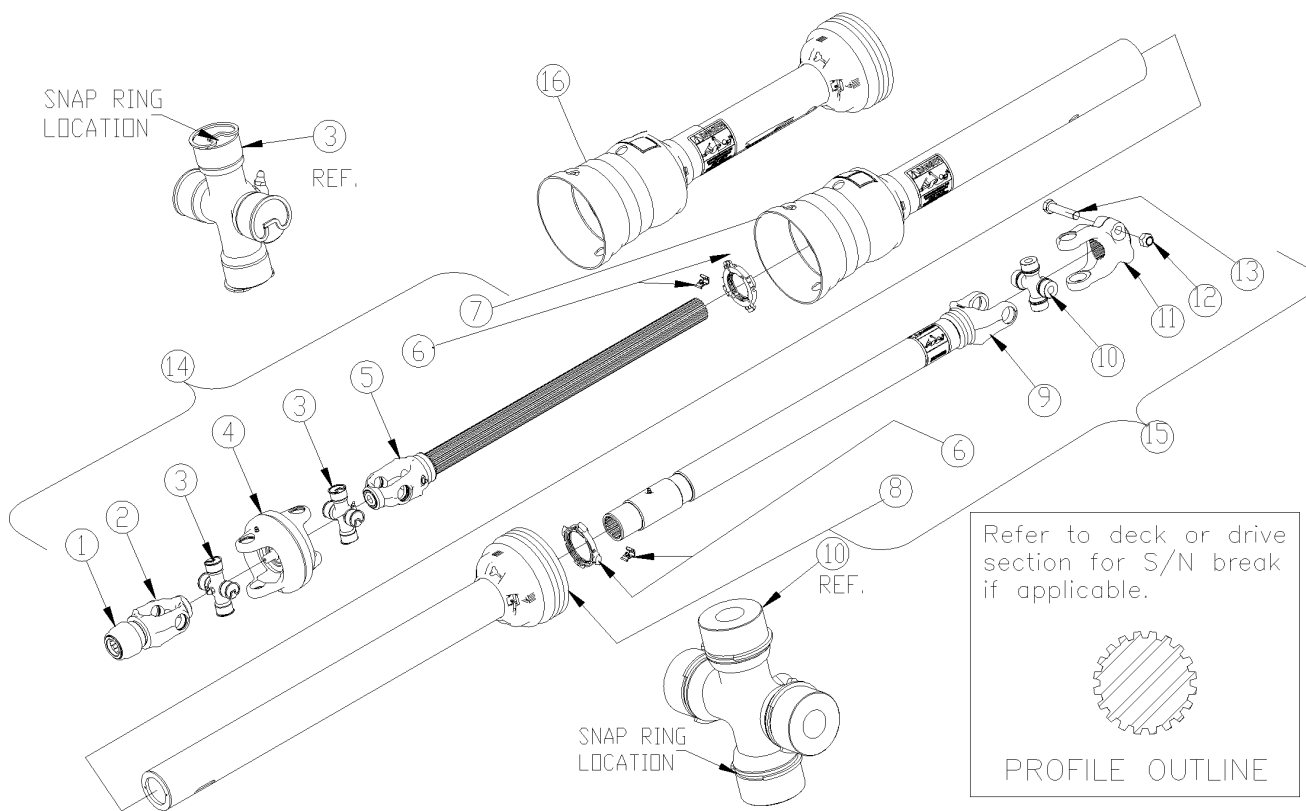
37510

**Driveline Center (826-818C)****Applies to RC5715, RCM5715**

<b>Ref</b>	<b>Part No.</b>	<b>Part Description</b>	<b>Comments</b>	<b>Revision</b>
	Dwg 37510 826-818C	Image No. DRVLN C4 11 1.75-20 FX CLTCH *	Complete Assembly	
1.	141.026.357.1	COMER YOKE COMPLETE		
2.	180.016.780	CO CROSS JOURNAL SET		
3.	190.000.032	CO CIRCLIP		
4.	190.000.047	CO GREASE NIPPLE		
5.	170.016.630.1	COMER YOKE, OUTER		
6.	155.150.724	COMER SHAFT, SPLINED		
7.	190.000.016	COMER ROLL PIN, INNER TUBE		
8.	151.016.896.1	CO INNER YOKE		
9.	146.264.024.1	COMER CLUTCH, COMPLETE ASSY		
10.	165.000.589	COMER TAPERED PIN SET 1 3/4		
11.	180.014.022	COMER SPRING		
12.	151.016.037.1	COMER YOKE, FLANGED		
13.	180.019.019	COMER BUSH		
14.	180.019.340	COMER LINING RING		
15.	151.018.228.1	COMER CLUTCH SUPPORT		
16.	180.019.014	COMER INNER PLATE		
17.	180.019.115	COMER INTERMEDIATE PLATE		
18.	180.019.116.1	COMER PRESSURE PLATE		
19.	165.000.548	COMER BOLT WITH NUT M10X100		

# Driveline CV 1.38 1000 RPM (826-644C)

Applies to RCM5715

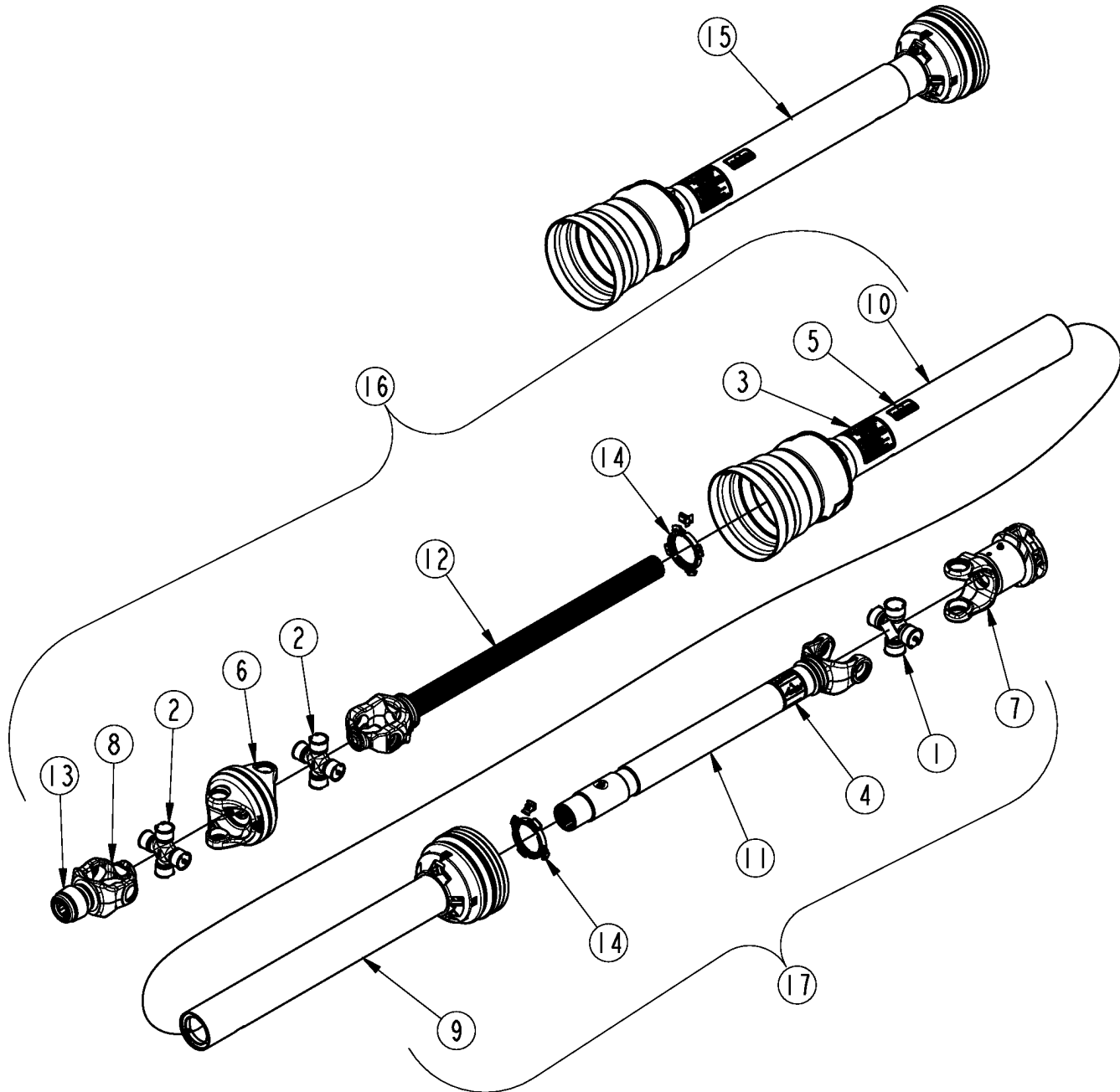


**Driveline CV 1.38 1000 RPM (826-644C)****Applies to RCM5715**

<b>Ref</b>	<b>Part No.</b>	<b>Part Description</b>	<b>Comments</b>	<b>Revision</b>
	Dwg 37911 826-644C	Image No. DRVLN C6 42 1.38-21 CV *	Complete Assembly	
1.	26-15120	WE SSL/AUTO-LOK REPAIR KIT		
2.	68810-1003	WE WWCV AUTO-LOK YOKE ASM		
3.	03-15570	WE AB8/AW25EBL CROSS KIT		
4.	26-16033	WE WWCV CENTER HOUSING		
5.	99-24406	WE YOKE&SHAFT (1.69-20 SPLINE)		
6.	19-15135	WE GUARD REPAIR KIT		
7.	97-25023	WE OUTER GUARD		
8.	96-24406	WE INNER GUARD		
9.	98-24406	WE YOKE, TUBE & SLIP SLEEVE		
10.	03-15316	WE 55EBL CROSS KIT		
11.	55051-1817	WE YOKE		
12.	11-14988	WE LOCK NUT .625-11		
13.	11-15180	WE BOLT .625-11 X 3.00L GR8		
14.	93-25023	WE JOINT&SHFT HALF ASM W/GUARD		
15.	92-24406	WE JOINT&TUBE HALF ASM W/GUARD		
16.	91-25023	WE GUARD SET		

**Driveline CV 1.38 1000 RPM W/ Overrunning Clutch (826-793C)**

Applies to RCM5715



70947

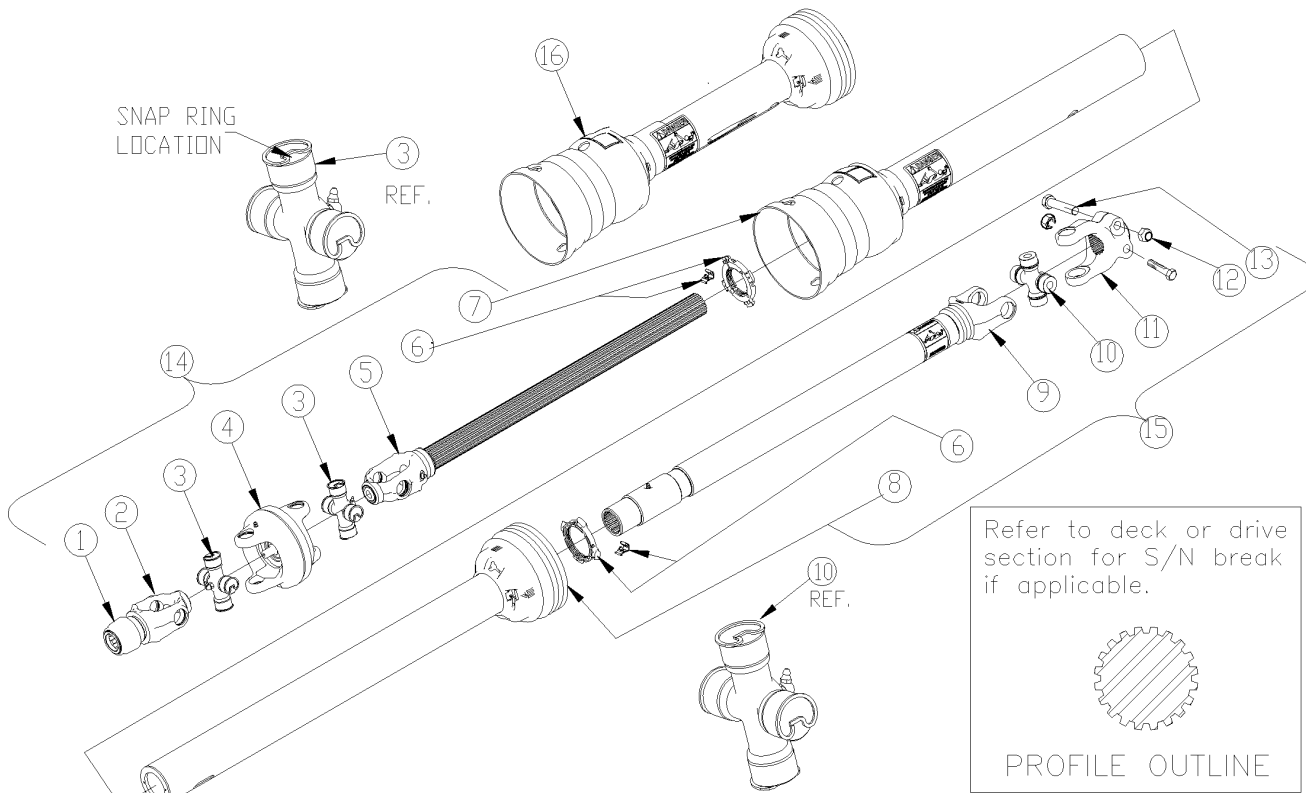


**Driveline CV 1.38 1000 RPM W/ Overrunning Clutch (826-793C)****Applies to RCM5715**

<b>Ref</b>	<b>Part No.</b>	<b>Part Description</b>	<b>Comments</b>	<b>Revision</b>
	Dwg 70947 826-793C	Image No. DRVLN C6 39 1.38-21 CV ORCLTCH *	Complete Assembly	
1.	03-15316	WE 55EBL CROSS KIT		
2.	03-15570	WE AB8/AW25EBL CROSS KIT		
3.	13-10021	WE SAFETY SIGN		
4.	13-10022	WE SAFETY SIGN		
5.	13-15249	WE DECAL LAND PRIDE		
6.	26-16033	WE WWCV CENTER HOUSING		
7.	39-10039	WE OVERRUNNING THRST CLTCH ASM		
8.	68810-1003	WE WWCV AUTO-LOK YOKE ASM		
9.	82-26654	WE JOINT & TUBE HALF GUARD SET		
10.	83-26656	WE JOINT & SHFT HALF GUARD SET		
11.	98-26654	WE YOKE, TUBE & SLIP SLEEVE		
12.	99-24406	WE YOKE&SHAFT (1.69-20 SPLINE)		
13.	26-15120	WE SSL/AUTO-LOK REPAIR KIT		
14.	19-15121	WE GUARD REPAIR KIT		
15.	90-26654	WE GUARD SET		
16.	93-25023	WE JOINT&SHFT HALF ASM W/GUARD		
17.	94-26654	WE JOINT & TUBE HALF ASM		

**Driveline CV 1.38 540 RPM (826-643C)**

Applies to RC5715

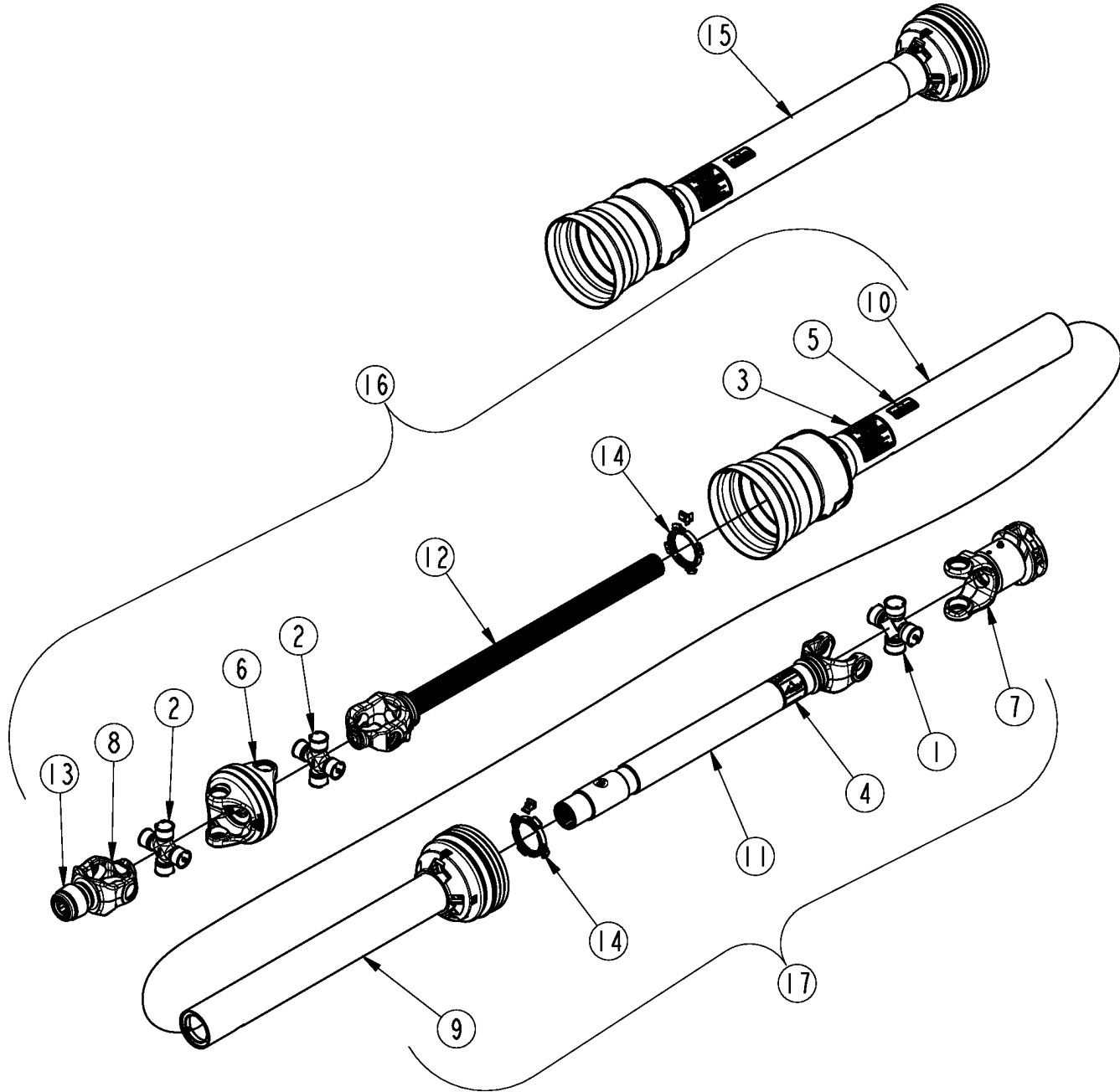


**Driveline CV 1.38 540 RPM (826-643C)****Applies to RC5715**

<b>Ref</b>	<b>Part No.</b>	<b>Part Description</b>	<b>Comments</b>	<b>Revision</b>
	Dwg 37916 826-643C	Image No. DRVLN C6 42 1.38-6 CV *	Complete Assembly	
1.	26-15120	WE SSL/AUTO-LOK REPAIR KIT		
2.	68810-1004	WE WWCV AUTO-LOK YOKE ASM		
3.	03-15570	WE AB8/AW25EBL CROSS KIT		
4.	26-16033	WE WWCV CENTER HOUSING		
5.	99-24406	WE YOKE&SHAFT (1.69-20 SPLINE)		
6.	19-15135	WE GUARD REPAIR KIT W/ CHAINS		
7.	97-24406	WE OUTER GUARD		
8.	96-24406	WE INNER GUARD		
9.	98-24406	WE YOKE, TUBE & SLIP SLEEVE		
10.	03-15316	WE 55EBL CROSS KIT		
11.	55051-1817	WE YOKE		
12.	11-14988	WE LOCK NUT .625-11		
13.	11-15180	WE BOLT .625-11 X 3.00L GR8		
14.	93-24406	WE JOINT&SHFT HALF ASM W/GUARD		
15.	92-24406	WE JOINT&TUBE HALF ASM W/GUARD		
16.	90-24406	WE GUARD SET		

**Driveline CV 1.38 540 RPM W/ Overrunning Clutch (826-884C)**

Applies to RC5715



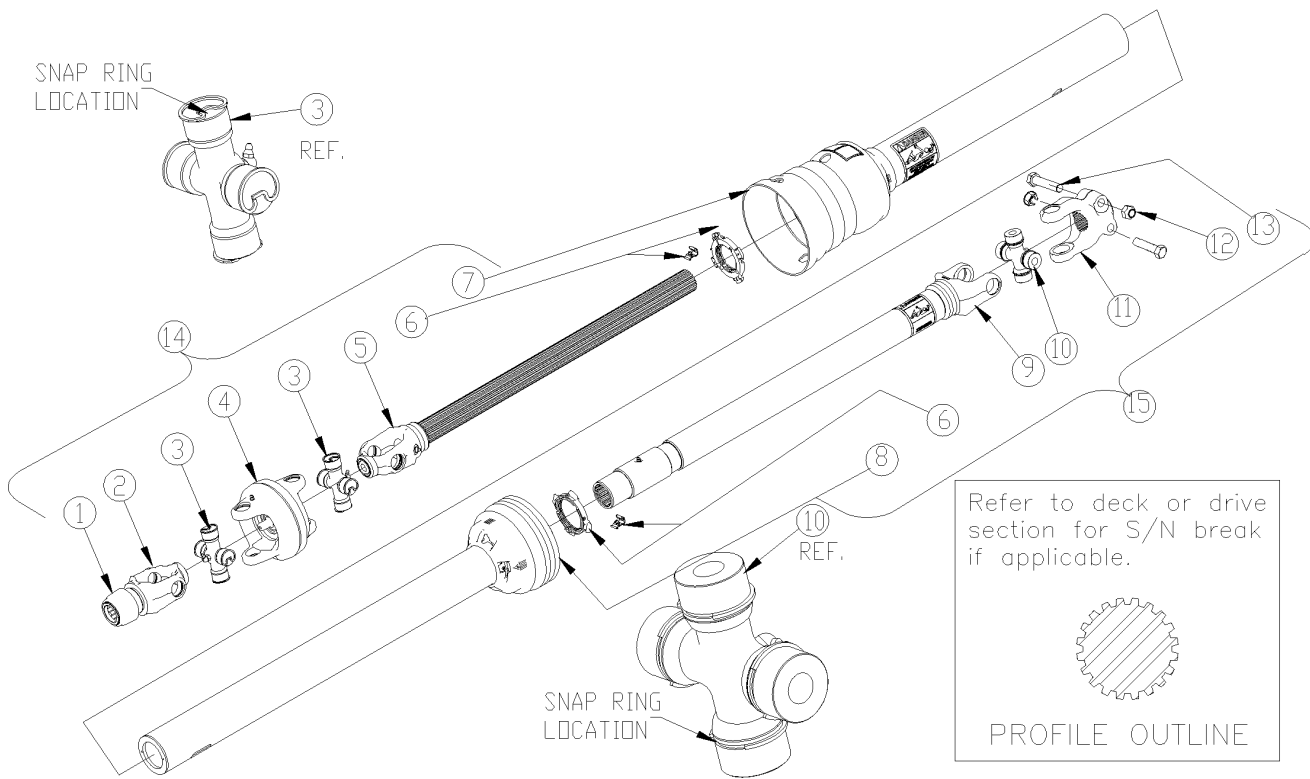
70947

***Driveline CV 1.38 540 RPM W/ Overrunning Clutch (826-884C)*****Applies to RC5715**

<b>Ref</b>	<b>Part No.</b>	<b>Part Description</b>	<b>Comments</b>	<b>Revision</b>
	Dwg 70947 826-884C	Image No. DRVLN C6 39 1.38-6 CV ORCL *	Complete Assembly	
1.	03-15316	WE 55EBL CROSS KIT		
2.	03-15570	WE AB8/AW25EBL CROSS KIT		
3.	13-10021	WE SAFETY SIGN		
4.	13-10022	WE SAFETY SIGN		
5.	13-15256	WE DECAL LAND PRIDE		
6.	26-16033	WE WWCV CENTER HOUSING		
7.	39-10039	WE OVERRUNNING THRST CLTCH ASM		
8.	68810-1004	WE WWCV AUTO-LOK YOKE ASM		
9.	82-26654	WE JOINT & TUBE HALF GUARD SET		
10.	83-26656	WE JOINT & SHFT HALF GUARD SET		
11.	98-26654	WE YOKE, TUBE & SLIP SLEEVE		
12.	99-24406	WE YOKE&SHAFT (1.69-20 SPLINE)		
13.	26-15120	WE SSL/AUTO-LOK REPAIR KIT		
14.	19-15121	WE GRD REPAIR KIT		
15.	90-26656	WE GUARD SET		
16.	93-24406	WE JOINT&SHFT HALF ASM W/GUARD		
17.	94-26654	WE JOINT & TUBE HALF ASM		

**Driveline CV 1.75 1000 RPM (826-645C)**

Applies to RCM5715



**Driveline CV 1.75 1000 RPM (826-645C)**

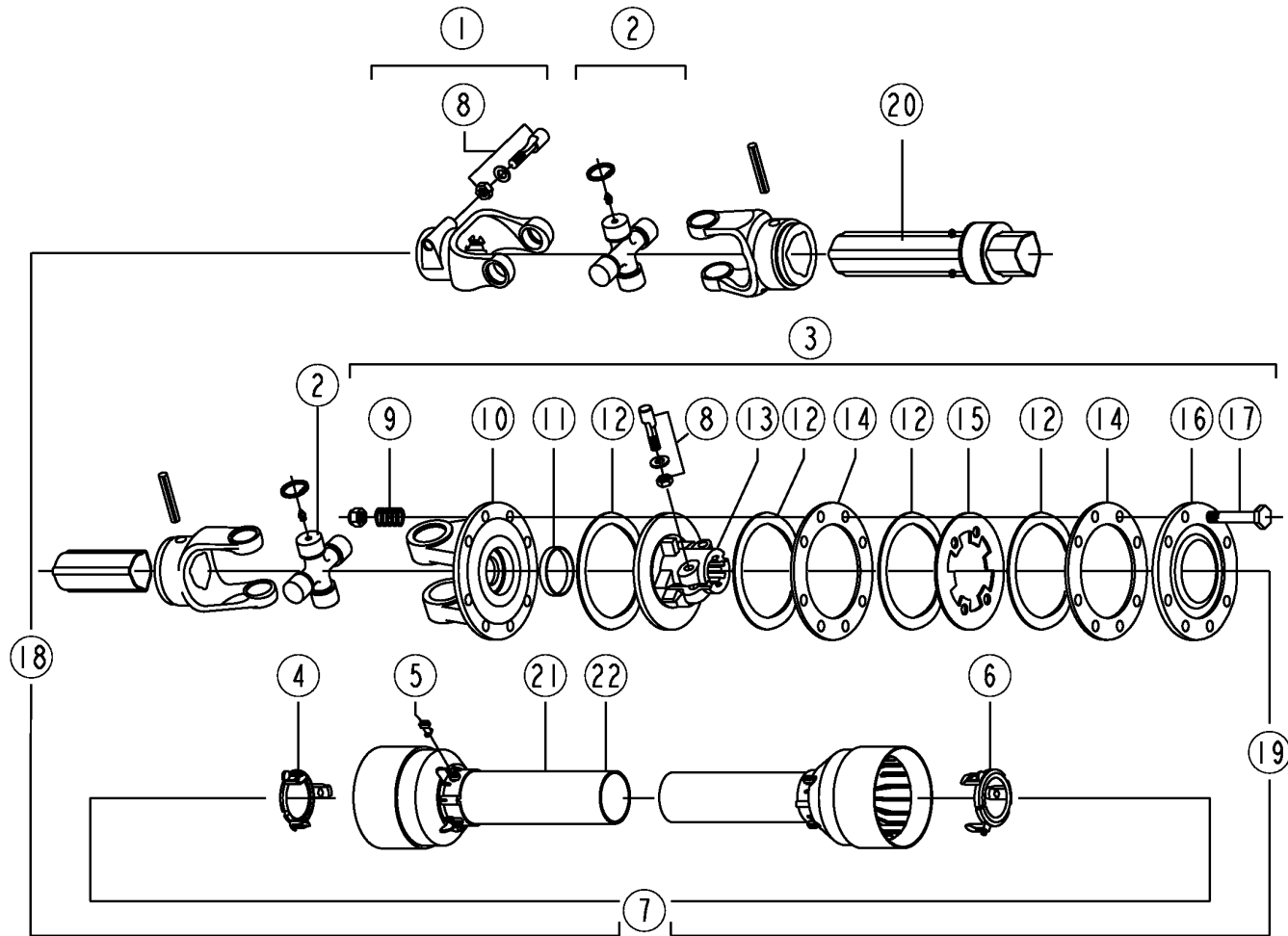
---

**Applies to RCM5715**

<b>Ref</b>	<b>Part No.</b>	<b>Part Description</b>	<b>Comments</b>	<b>Revision</b>
	Dwg 37912 826-645C	Image No. DRVLN C6 47 1.75-20 CV *	Complete Assembly	
1.	26-13387	WE SSL/AUTO-LOK REPAIR KIT		
2.	68810-1005	WE WWCV AUTO-LOK YOKE ASM		
3.	03-15570	WE AB8/AW25EBL CROSS KIT		
4.	26-16033	WE WWCV CENTER HOUSING		
5.	99-24406	WE YOKE&SHAFT (1.69-20 SPLINE)		
6.	19-15135	WE GUARD REPAIR KIT		
7.	97-25075	WE OUTER GUARD		
8.	96-25075	WE INNER GUARD		
9.	98-25075	WE YOKE, TUBE & SLIP SLEEVE		
10.	03-15316	WE 55EBL CROSS KIT		
11.	55051-1817	WE YOKE		
12.	11-14988	WE LOCK NUT .625-11		
13.	11-15180	WE BOLT .625-11 X 3.00L GR8		
14.	93-25075	WE JOINT&SHFT HALF ASM W/GUARD		
15.	92-25075	WE JOINT&TUBE HALF ASM W/GUARD		

# Driveline Wing (826-811C)

Applies to RC5715, RCM5715



37917

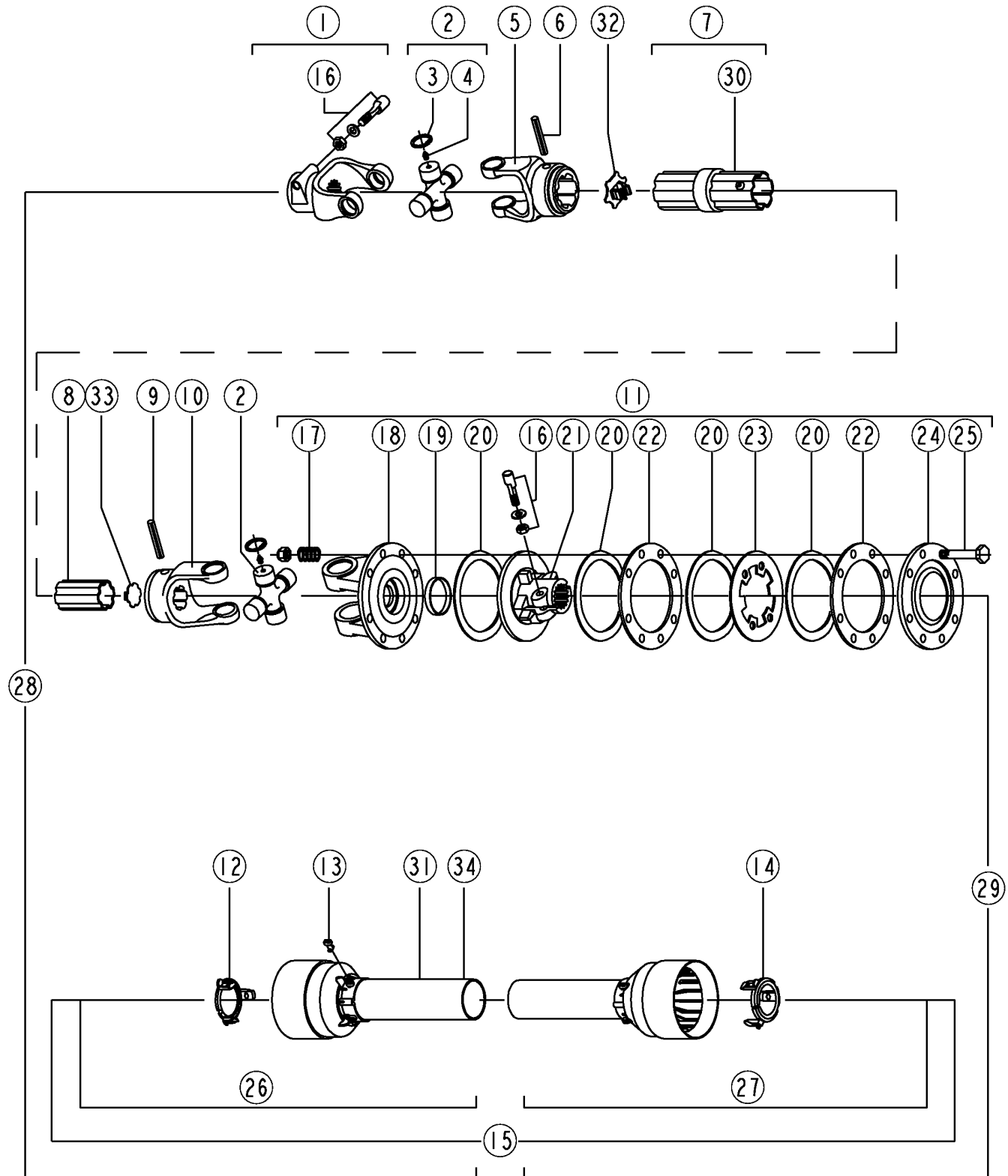


***Driveline Wing (826-811C)*****Applies to RC5715, RCM5715**

<b>Ref</b>	<b>Part No.</b>	<b>Part Description</b>	<b>Comments</b>	<b>Revision</b>
	Dwg 37917 826-811C	Image No. DRVLN C4 50 1.75-20 FX CLTCH *	Complete Assembly	
1.	141.026.357.1	COMER YOKE COMPLETE		
2.	180.016.780	CO CROSS JOURNAL SET		
3.	146.264.024.1	COMER CLUTCH, COMPLETE ASSY		
4.	8180.016.237	CO RETAINING COLLAR OUTER TUBE		
5.	180.014.240	COMER BOLT		
6.	8180.016.238	CO RETAINING COLLAR INNER TUBE		
7.	142.260.5197621	CO COMPLETE GUARD W/MANUAL		
8.	165.000.589	COMER TAPERED PIN SET 1 3/4		
9.	180.014.022	COMER SPRING		
10.	151.016.037.1	COMER YOKE, FLANGED		
11.	180.019.019	COMER BUSH		
12.	180.019.340	COMER LINING RING		
13.	151.018.228.1	COMER CLUTCH SUPPORT		
14.	180.019.014	COMER INNER PLATE		
15.	180.019.115	COMER INTERMEDIATE PLATE		
16.	180.019.116.1	COMER PRESSURE PLATE		
17.	165.000.548	COMER BOLT WITH NUT M10X100		
18.	8123.360.504.11	CO HALF FEMALE SHFT W/GUARDING		
19.	8123.460.106411	CO HALF MALE SHAFT W/GUARD		
20.	190.000.098	COMER DANGER LABEL OUTER TUBE		
21.	190.000.099	COMER DANGER LABEL GUARD OUTER		
22.	190.000.903	CO LABEL W/CUSTOMER CODE		

# Driveline Wing (826-812C)

Applies to RC5715, RCM5715



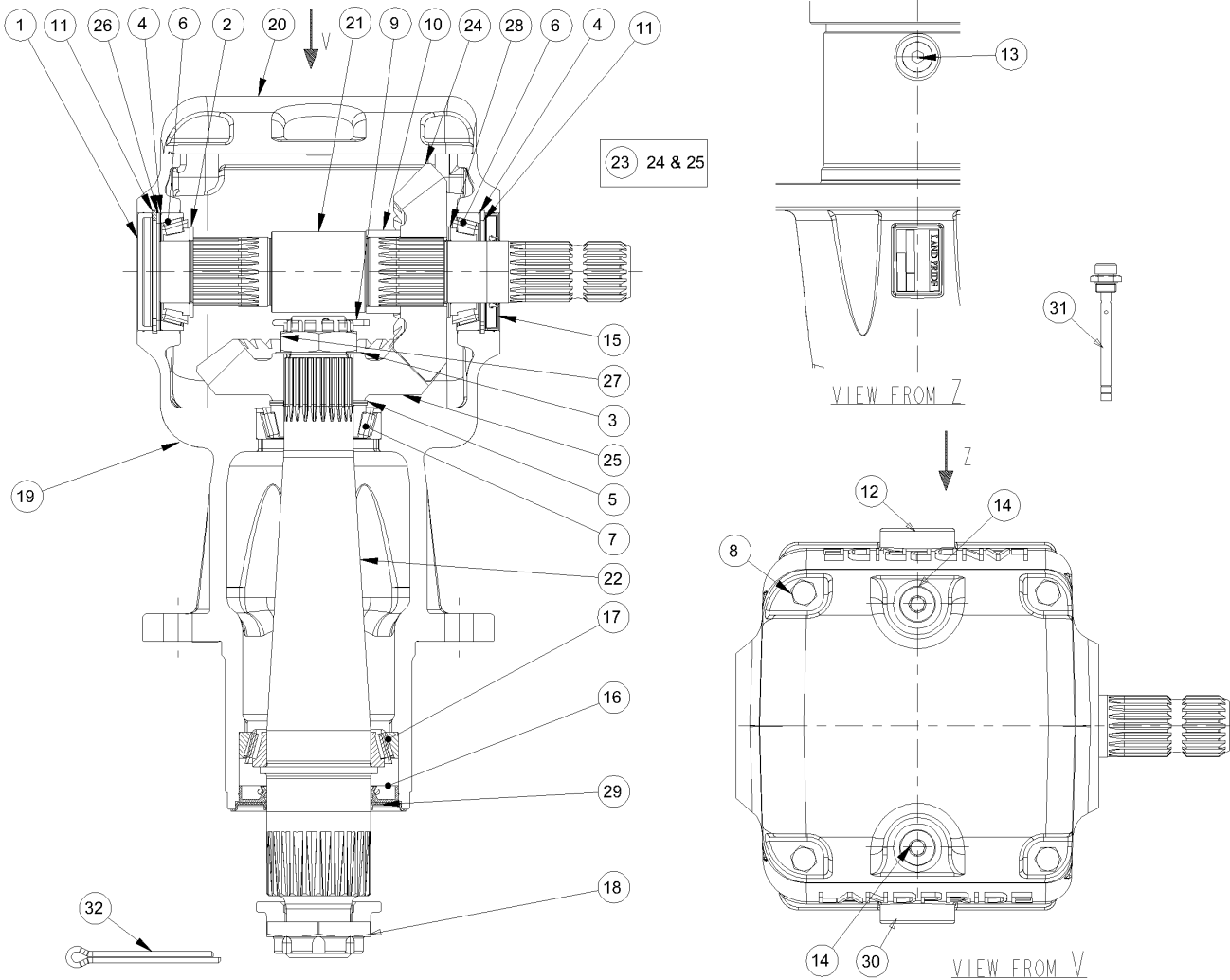
37918

**Driveline Wing (826-812C)****Applies to RC5715, RCM5715**

<b>Ref</b>	<b>Part No.</b>	<b>Part Description</b>	<b>Comments</b>	<b>Revision</b>
	Dwg 37918 826-812C	Image No. DRVLN C5 48 1.75-20 FX CLTCH *	Complete Assembly	
1.	141.028.195.1	COMER YOKE COMPLETE		
2.	180.018.581	CO CROSS JOURNAL SET		
3.	190.000.035	N/A	available only in cross journal set (#2)	
4.	190.000.047	CO GREASE NIPPLE		
5.	151.018.241.1	COMER YOKE OUTER		
6.	190.000.243	COMER OUTER TUBE ROLL PIN		
7.	150.281.5197810	CO COMPLETE OUTER TUBE W/LABEL		
8.	159.280.168	COMER INNER TUBE		
9.	190.000.271	COMER ROLL PIN FOR INNER TUBE		
10.	151.018.242.1	COMER INNER YOKE		
11.	146.284.020.1	COMER CLUTCH, DISC COMPLETE		
12.	180.018.251	COMER RETAINING COLLER INNER		
13.	180.014.240	COMER BOLT		
14.	180.018.252	COMER RETAINING COLLER INNER		
15.	142.286.2519821	CO COMPLETE GUARD W/MANUAL		
16.	165.000.589	COMER TAPERED PIN SET 1 3/4		
17.	180.014.022	COMER SPRING		
18.	151.018.016.1	COMER YOKE, FLANGED		
19.	180.019.019	COMER BUSH		
20.	180.019.340	COMER LINING RING		
21.	151.018.228.1	COMER CLUTCH SUPPORT		
22.	180.019.014	COMER INNER PLATE		
23.	180.019.115	COMER INTERMEDIATE PLATE		
24.	180.019.116.1	COMER PRESSURE PLATE		
25.	165.000.548	COMER BOLT WITH NUT M10X100		
26.	142.283.2509821	CO HALF FEMALE GUARD		
27.	142.287.2199821	CO HALF MALE GUARD		
28.	123.386.190.01	CO HALF FEMALE SHFT W/GUARDING		
29.	123.486.343.01	CO HALF MALE SHAFT W/GUARDING		
30.	190.000.098	COMER DANGER LABEL OUTER TUBE		
31.	190.000.099	COMER DANGER LABEL GUARD OUTER		
32.	180.018.393	COMER CAP OUTER TUBE, PLASTIC		
33.	180.018.435	COMER INNER CAP		
34.	190.000.932	CO LABEL W/CUSTOMER CODE		

# Gearbox 1000 RPM (826-829C)

Applies to RCM5715



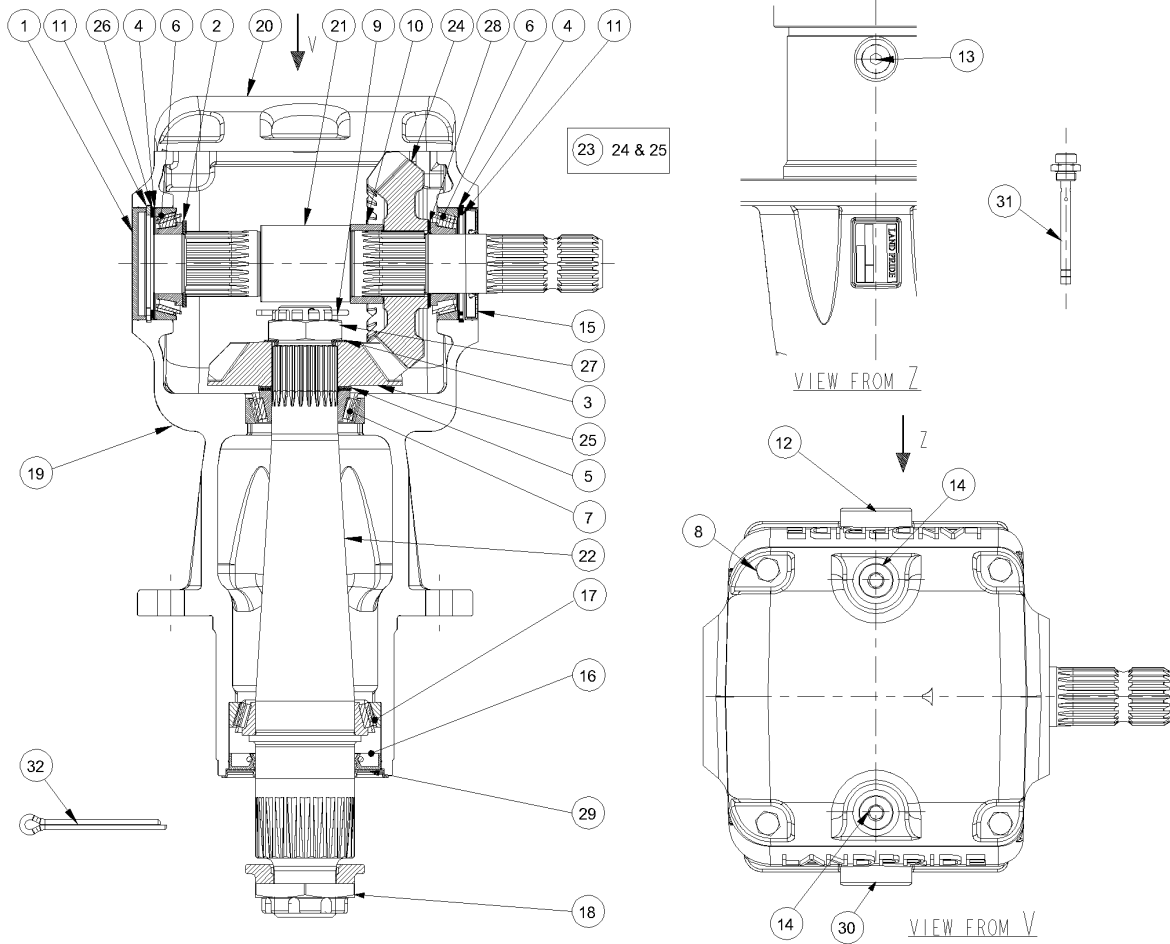
74234

**Gearbox 1000 RPM (826-829C)****Applies to RCM5715**

Ref	Part No.	Part Description	Comments	Revision
	Dwg 74234 826-829C	Image No. GBOX RC60 1.15:1 STD 3" OP *	Complete Assembly less vent plug	
1.	0.121.7101.00	COMER CAP 85X10		
2.	0.252.7525.00	COMER SHIM 65.3X45.3X2.5		
3.	0.285.7510.00	COMER SHIM 40.3X61.7X1		
4.	A.709.500	COMER SHIM KIT 70.3X84.7		
5.	A.712.500	COMER SHIM KIT 50.3X70.3		
6.	8.0.9.00143	COMER BEARING 30209 TAPERED		
7.	9110.409.050	CO TAPERED RLLR BRNG 32210 QC		
8.	8.1.1.00501	COMER HHB M10X22 GR8.8		
9.	8.4.7.02265	CO COTTER PIN B 5X60		
10.	0.125.7038.00	CO SPACER 50x60x25		
11.	8.5.2.00332	COMER SNAP RING INT D85 UNI7437		
12.	8.6.4.02647	CO LEV. SIGHT GLASS 3/4"		
13.	8.6.6.02856	CO PLUG 3/8" GAS		
14.	8.6.6.02901	CO GAS PLUG 1/2		
15.	9020.345.010	CO DOUBLE LIP SEAL 45X85X10		
16.	9020.535.050	CO OIL SEAL 75X115X12 NBR		
17.	9110.565.102	CO TAPERED RLLR BRNG 32015X		
18.	0.125.7113.00	CO CASTLE NUT M48X2		
19.	0.125.0542.00	CO HOUSING		
20.	U0.125.1303.00	COMER COVER		
21.	0.125.2002.00	CO SHAFT		
22.	0.125.3019.00	CO OUTPUT SHAFT		
23.	2.125.5004.00	CO BEVEL GEAR SET Z19-Z22 M7.8		
24.	0.125.5012.00	CO FORGED BEVEL GEAR M1.8 Z19		
25.	0.125.6012.00	CO FORGED BEVEL GEAR M1.8 Z22		
26.	0.709.7520.00	CO SHIM 70.3X84.7X2		
27.	U0.125.7100.00	COMER CASTLE NUT M40X1.5		
28.	0.252.7510.00	CO SHIM (45.3X65.3X1)		
29.	1.125.7101.00	CO SEAL PROTECTOR		
30.	8.6.6.01623	CO PLUG 3/4" GAS+WASHER		
31.	826-959C	COMER 0.125.7110.00 DIPSTICK		
32.	8.4.7.01350	CO COTTER PIN B8X90 *		
		Notes: Oil Type 80-90W Capacity 12.4 Pints (5.87 L)		

# Gearbox 1000 RPM (826-830C)

Applies to RCM5715



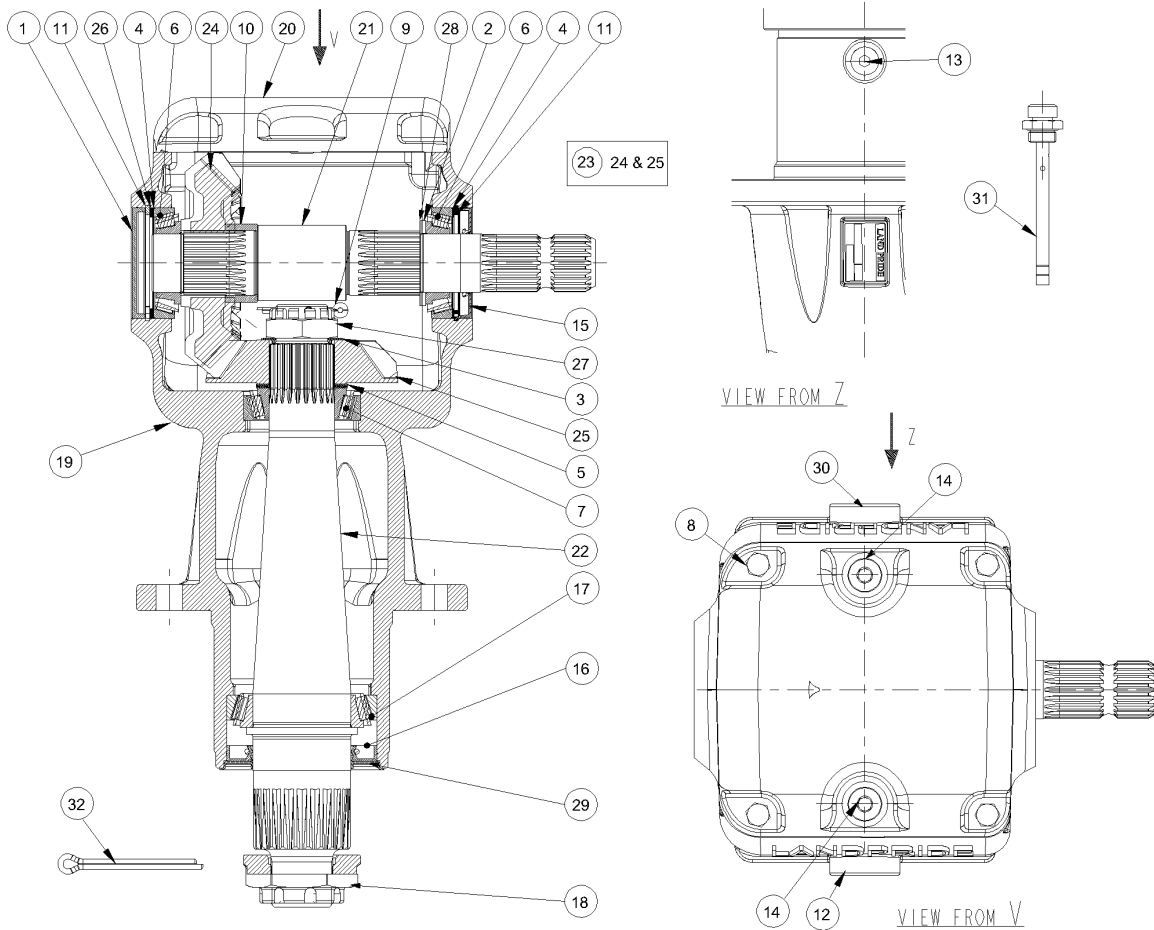
74269

**Gearbox 1000 RPM (826-830C)****Applies to RCM5715**

Ref	Part No.	Part Description	Comments	Revision
	Dwg 74269 826-830C	Image No. GBOX RC60 1:1.22 STD 3" OP *	Complete Assembly less vent plug	
1.	0.121.7101.00	COMER CAP 85X10		
2.	0.252.7525.00	COMER SHIM 65.3X45.3X2.5		
3.	0.285.7510.00	COMER SHIM 40.3X61.7X1		
4.	A.709.500	COMER SHIM KIT 70.3X84.7		
5.	A.712.500	COMER SHIM KIT 50.3X70.3		
6.	8.0.9.00143	COMER BEARING 30209 TAPERED		
7.	9110.409.050	CO TAPERED RLLR BRNG 32210 QC		
8.	8.1.1.00501	COMER HHB M10X22 GR8.8		
9.	8.4.7.02265	CO COTTER PIN B 5X60		
10.	0.125.7038.00	CO SPACER 50x60x25		
11.	8.5.2.00332	COMER SNAP RING INT D85 UNI7437		
12.	8.6.4.02647	CO LEV. SIGHT GLASS 3/4"		
13.	8.6.6.02856	CO PLUG 3/8" GAS		
14.	8.6.6.02901	CO GAS PLUG 1/2		
15.	9020.345.010	CO DOUBLE LIP SEAL 45X85X10		
16.	9020.535.050	CO OIL SEAL 75X115X12 NBR		
17.	9110.565.102	CO TAPERED RLLR BRNG 32015X		
18.	0.125.7113.00	CO CASTLE NUT M48X2		
19.	0.125.0542.00	CO HOUSING		
20.	U0.125.1303.00	COMER COVER		
21.	0.125.2002.00	CO SHAFT		
22.	0.125.3019.00	CO OUTPUT SHAFT		
23.	2.125.5002.00	CO BEVEL GEAR SET M7.8 Z18-22		
24.	0.125.6010.00	CO FORGED BEVEL GEAR M7.8 Z22		
25.	0.125.5010.00	CO FORGED BEVEL GEAR M1.8 Z18		
26.	0.709.7520.00	CO SHIM 70.3X84.7X2		
27.	U0.125.7100.00	COMER CASTLE NUT M40X1.5		
28.	0.252.7510.00	CO SHIM (45.3X65.3X1)		
29.	1.125.7101.00	CO SEAL PROTECTOR		
30.	8.6.6.01623	CO PLUG 3/4" GAS+WASHER		
31.	826-959C	COMER 0.125.7110.00 DIPSTICK		
32.	8.4.7.01350	CO COTTER PIN B8X90 *		
		Notes: Oil Type 80-90W Capacity 12.4 Pints (5.87 L)		

# Gearbox 1000 RPM (826-831C)

Applies to RCM5715



74270



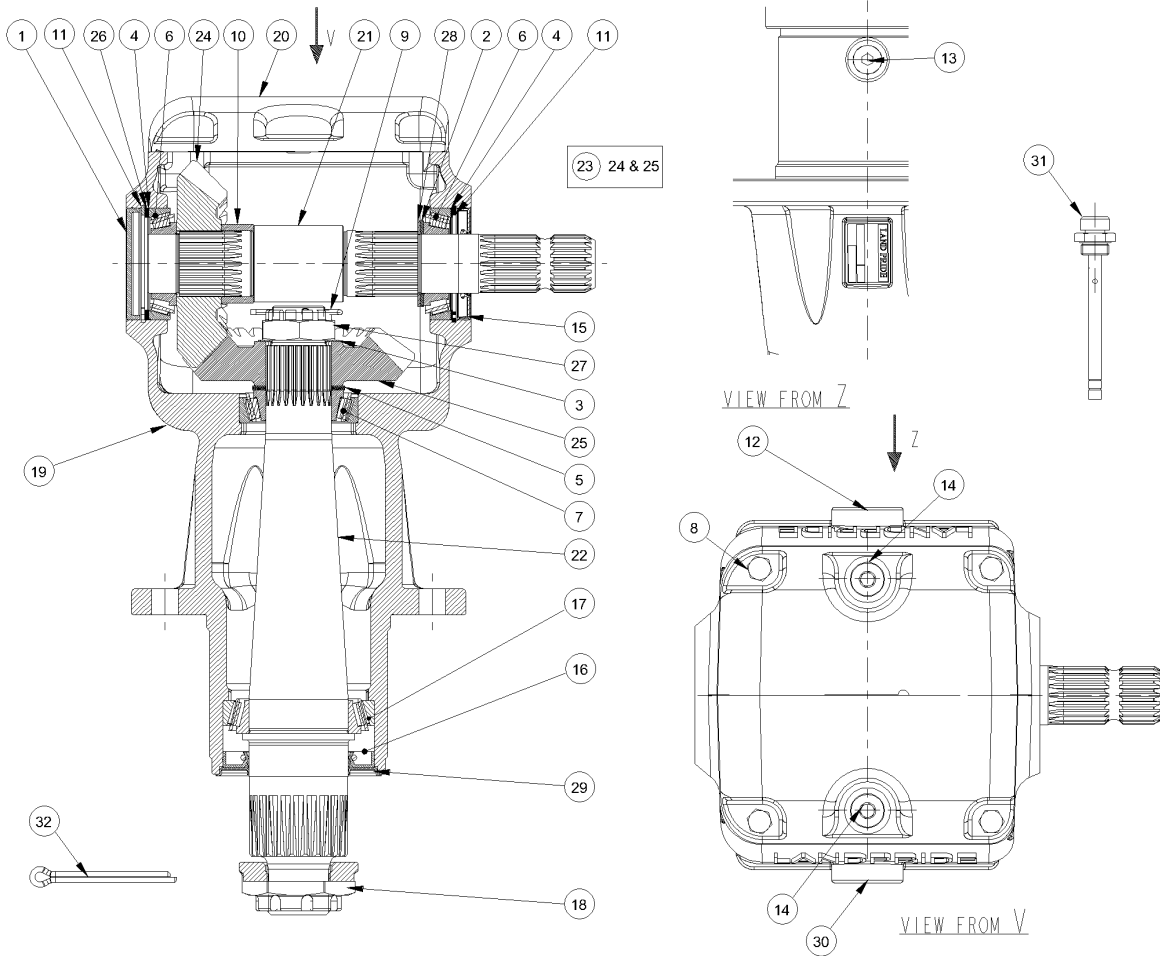
**Gearbox 1000 RPM (826-831C)****Applies to RCM5715**

Ref	Part No.	Part Description	Comments	Revision
	Dwg 74270 826-831C	Image No. GBOX RC60 1:1.22 REV 3" OP *	Complete Assembly less vent plug	
1.	0.121.7101.00	COMER CAP 85X10		
2.	0.252.7525.00	COMER SHIM 65.3X45.3X2.5		
3.	0.285.7510.00	COMER SHIM 40.3X61.7X1		
4.	A.709.500	COMER SHIM KIT 70.3X84.7		
5.	A.712.500	COMER SHIM KIT 50.3X70.3		
6.	8.0.9.00143	COMER BEARING 30209 TAPERED		
7.	9110.409.050	CO TAPERED RLLR BRNG 32210 QC		
8.	8.1.1.00501	COMER HHB M10X22 GR8.8		
9.	8.4.7.02265	CO COTTER PIN B 5X60		
10.	0.125.7038.00	CO SPACER 50x60x25		
11.	8.5.2.00332	COMER SNAP RING INT D85 UNI7437		
12.	8.6.4.02647	CO LEV. SIGHT GLASS 3/4"		
13.	8.6.6.02856	CO PLUG 3/8" GAS		
14.	8.6.6.02901	CO GAS PLUG 1/2		
15.	9020.345.010	CO DOUBLE LIP SEAL 45X85X10		
16.	9020.535.050	CO OIL SEAL 75X115X12 NBR		
17.	9110.565.102	CO TAPERED RLLR BRNG 32015X		
18.	0.125.7113.00	CO CASTLE NUT M48X2		
19.	0.125.0542.00	CO HOUSING		
20.	U0.125.1303.00	COMER COVER		
21.	0.125.2002.00	CO SHAFT		
22.	0.125.3019.00	CO OUTPUT SHAFT		
23.	2.125.5002.00	CO BEVEL GEAR SET M7.8 Z18-22		
24.	0.125.6010.00	CO FORGED BEVEL GEAR M7.8 Z22		
25.	0.125.5010.00	CO FORGED BEVEL GEAR M1.8 Z18		
26.	0.709.7520.00	CO SHIM 70.3X84.7X2		
27.	U0.125.7100.00	COMER CASTLE NUT M40X1.5		
28.	0.252.7510.00	CO SHIM (45.3X65.3X1)		
29.	1.125.7101.00	CO SEAL PROTECTOR		
30.	8.6.6.01623	CO PLUG 3/4" GAS+WASHER		
31.	826-959C	COMER 0.125.7110.00 DIPSTICK		
32.	8.4.7.01350	CO COTTER PIN B8X90 *		

Notes: Oil Type 80-90W Capacity 12.4 Pints  
(5.87 L)

# Gearbox 1000 RPM (826-871C)

Applies to RCM5715



74260

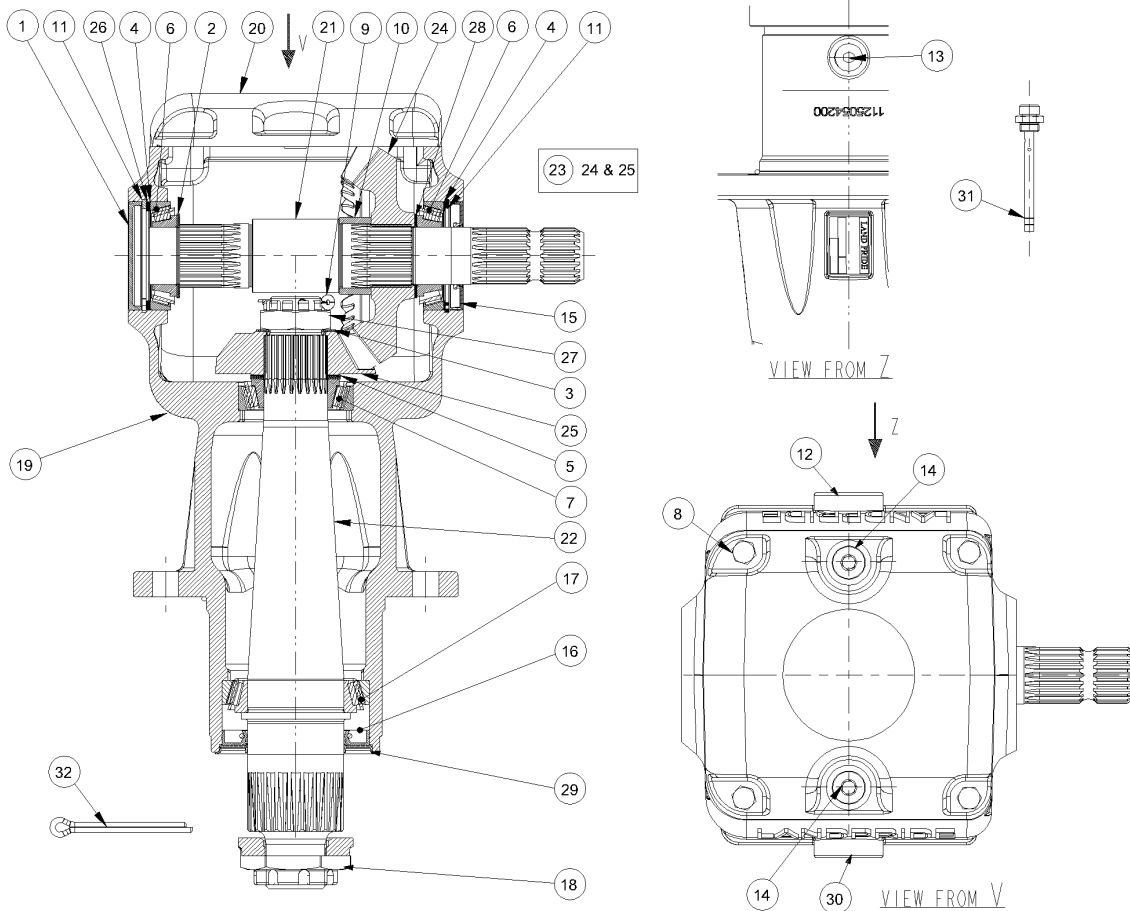
**Gearbox 1000 RPM (826-871C)****Applies to RCM5715**

Ref	Part No.	Part Description	Comments	Revision
	Dwg 74260 826-871C	Image No. GBOX RC60 1.15:1 REV 3" OP *	Complete Assembly less vent plug	
1.	0.121.7101.00	COMER CAP 85X10		
2.	0.252.7525.00	COMER SHIM 65.3X45.3X2.5		
3.	0.285.7510.00	COMER SHIM 40.3X61.7X1		
4.	A.709.500	COMER SHIM KIT 70.3X84.7		
5.	A.712.500	COMER SHIM KIT 50.3X70.3		
6.	8.0.9.00143	COMER BEARING 30209 TAPERED		
7.	9110.409.050	CO TAPERED RLLR BRNG 32210 QC		
8.	8.1.1.00501	COMER HHB M10X22 GR8.8		
9.	8.4.7.02265	CO COTTER PIN B 5X60		
10.	0.125.7038.00	CO SPACER 50x60x25		
11.	8.5.2.00332	COMER SNAP RING INT D85 UNI7437		
12.	8.6.4.02647	CO LEV. SIGHT GLASS 3/4"		
13.	8.6.6.02856	CO PLUG 3/8" GAS		
14.	8.6.6.02901	CO GAS PLUG 1/2		
15.	9020.345.010	CO DOUBLE LIP SEAL 45X85X10		
16.	9020.535.050	CO OIL SEAL 75X115X12 NBR		
17.	9110.565.102	CO TAPERED RLLR BRNG 32015X		
18.	0.125.7113.00	CO CASTLE NUT M48X2		
19.	0.125.0542.00	CO HOUSING		
20.	U0.125.1303.00	COMER COVER		
21.	0.125.2002.00	CO SHAFT		
22.	0.125.3019.00	CO OUTPUT SHAFT		
23.	2.125.5004.00	CO BEVEL GEAR SET Z19-Z22 M7.8		
24.	0.125.5012.00	CO FORGED BEVEL GEAR M1.8 Z19		
25.	0.125.6012.00	CO FORGED BEVEL GEAR M1.8 Z22		
26.	0.709.7520.00	CO SHIM 70.3X84.7X2		
27.	U0.125.7100.00	COMER CASTLE NUT M40X1.5		
28.	0.252.7510.00	CO SHIM (45.3X65.3X1)		
29.	1.125.7101.00	CO SEAL PROTECTOR		
30.	8.6.6.01623	CO PLUG 3/4" GAS+WASHER		
31.	826-959C	COMER 0.125.7110.00 DIPSTICK		
32.	8.4.7.01350	CO COTTER PIN B8X90 *		

Notes: Oil Type 80-90W Capacity 12.4 Pints  
(5.87 L)

# Gearbox 540 RPM (826-832C)

Applies to RC5715



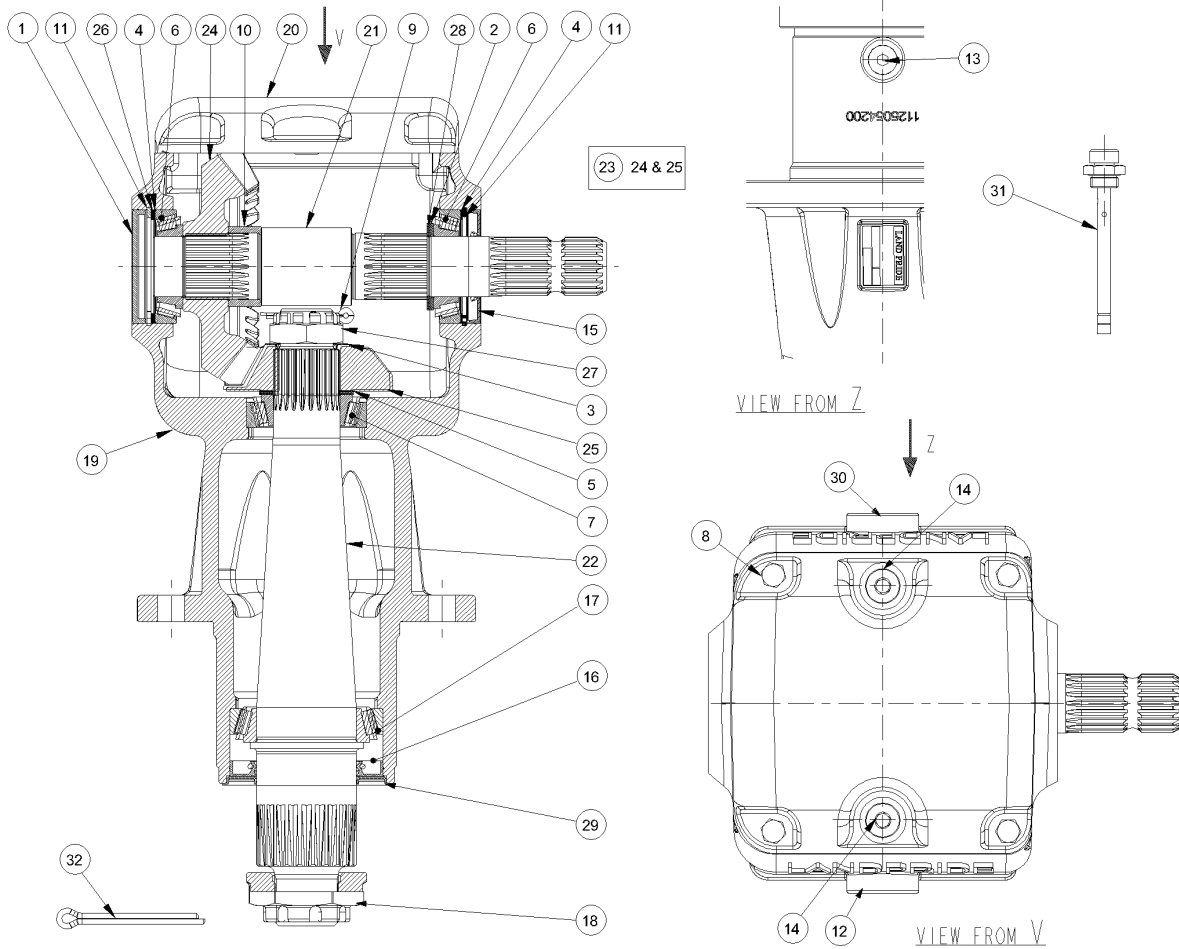
74282

**Gearbox 540 RPM (826-832C)****Applies to RC5715**

Ref	Part No.	Part Description	Comments	Revision
	Dwg 74282 826-833C	Image No. GBOX RC60 1:1.60 REV 3" OP *	Complete Assembly less vent plug	
1.	0.121.7101.00	COMER CAP 85X10		
2.	0.252.7525.00	COMER SHIM 65.3X45.3X2.5		
3.	0.285.7510.00	COMER SHIM 40.3X61.7X1		
4.	A.709.500	COMER SHIM KIT 70.3X84.7		
5.	A.712.500	COMER SHIM KIT 50.3X70.3		
6.	8.0.9.00143	COMER BEARING 30209 TAPERED		
7.	9110.409.050	CO TAPERED RLLR BRNG 32210 QC		
8.	8.1.1.00501	COMER HHB M10X22 GR8.8		
9.	8.4.7.02265	CO COTTER PIN B 5X60		
10.	0.125.7038.00	CO SPACER 50x60x25		
11.	8.5.2.00332	COMER SNAP RING INT D85 UNI7437		
12.	8.6.4.02647	CO LEV. SIGHT GLASS 3/4"		
13.	8.6.6.02856	CO PLUG 3/8" GAS		
14.	8.6.6.02901	CO GAS PLUG 1/2		
15.	9020.345.010	CO DOUBLE LIP SEAL 45X85X10		
16.	9020.535.050	CO OIL SEAL 75X115X12 NBR		
17.	9110.565.102	CO TAPERED RLLR BRNG 32015X		
18.	0.125.7113.00	CO CASTLE NUT M48X2		
19.	0.125.0542.00	CO HOUSING		
20.	U0.125.1303.00	COMER COVER		
21.	0.125.2002.00	CO SHAFT		
22.	0.125.3019.00	CO OUTPUT SHAFT		
23.	2.125.5000.00	CO BEVEL GEAR CPLNG 1:1.6 M7.5	Set includes items 24 & 25	
24.	0.125.6008.00	CO FORGED BEVEL GEAR M7.5 Z24		
25.	0.125.5008.00	CO FORGED BEVEL GEAR M7.5 Z15		
26.	0.709.7520.00	CO SHIM 70.3X84.7X2		
27.	U0.125.7100.00	COMER CASTLE NUT M40X1.5		
28.	0.252.7510.00	CO SHIM (45.3X65.3X1)		
29.	1.125.7101.00	CO SEAL PROTECTOR		
30.	8.6.6.01623	CO PLUG 3/4" GAS+WASHER		
31.	826-959C	COMER 0.125.7110.00 DIPSTICK		
32.	8.4.7.01350	CO COTTER PIN B8X90 *		
		Notes: Oil Type 80-90W Capacity 12.4 Pints (5.87 L)		

# Gearbox 540 RPM (826-833C)

Applies to RC5715



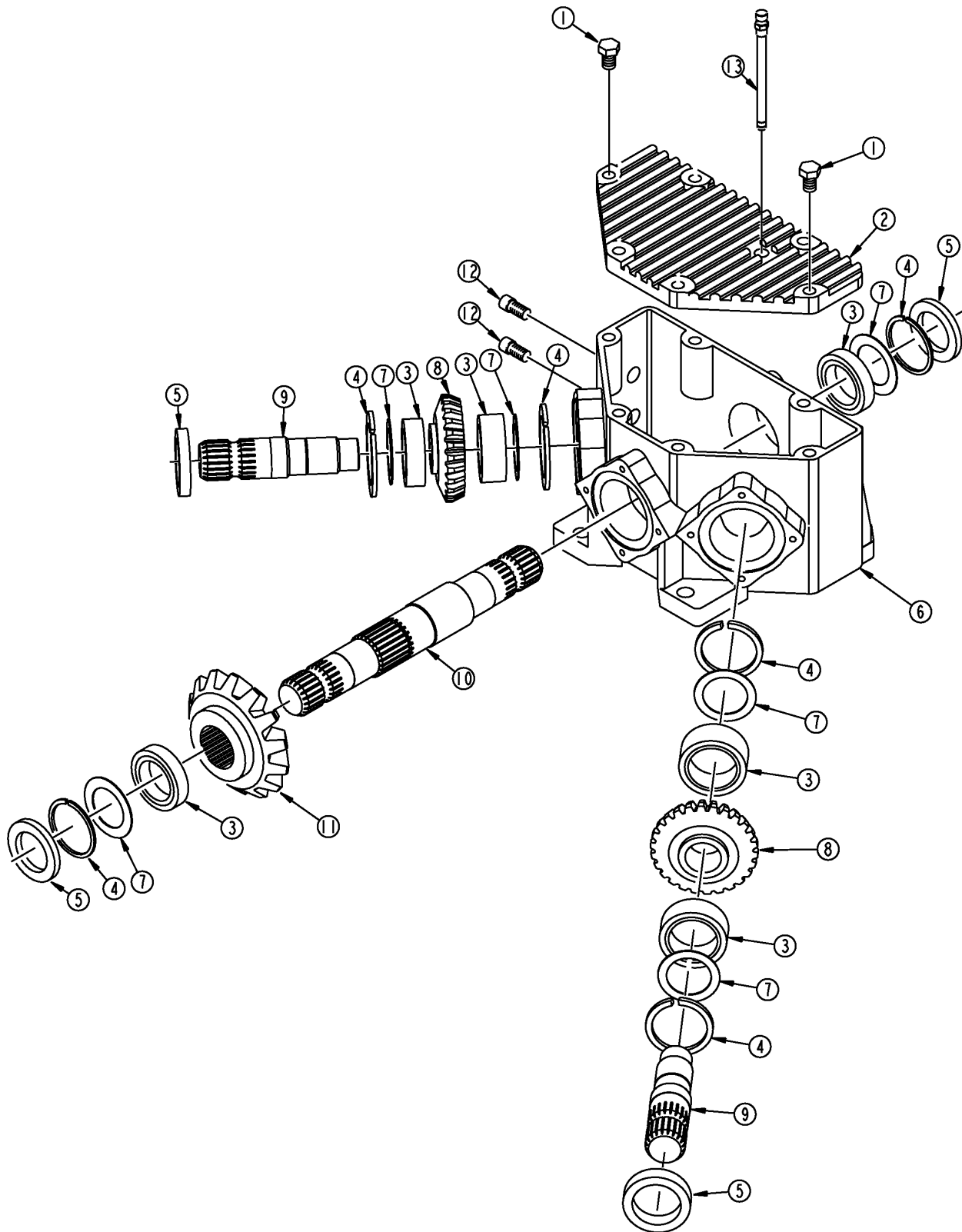
74283

**Gearbox 540 RPM (826-833C)****Applies to RC5715**

Ref	Part No.	Part Description	Comments	Revision
	Dwg 74283 826-833C	Image No. GBOX RC60 1:1.60 REV 3" OP *	Complete Assembly less vent plug	
1.	0.121.7101.00	COMER CAP 85X10		
2.	0.252.7525.00	COMER SHIM 65.3X45.3X2.5		
3.	0.285.7510.00	COMER SHIM 40.3X61.7X1		
4.	A.709.500	COMER SHIM KIT 70.3X84.7		
5.	A.712.500	COMER SHIM KIT 50.3X70.3		
6.	8.0.9.00143	COMER BEARING 30209 TAPERED		
7.	9110.409.050	CO TAPERED RLLR BRNG 32210 QC		
8.	8.1.1.00501	COMER HHB M10X22 GR8.8		
9.	8.4.7.02265	CO COTTER PIN B 5X60		
10.	0.125.7038.00	CO SPACER 50x60x25		
11.	8.5.2.00332	COMER SNAP RING INT D85 UNI7437		
12.	8.6.4.02647	CO LEV. SIGHT GLASS 3/4"		
13.	8.6.6.02856	CO PLUG 3/8" GAS		
14.	8.6.6.02901	CO GAS PLUG 1/2		
15.	9020.345.010	CO DOUBLE LIP SEAL 45X85X10		
16.	9020.535.050	CO OIL SEAL 75X115X12 NBR		
17.	9110.565.102	CO TAPERED RLLR BRNG 32015X		
18.	0.125.7113.00	CO CASTLE NUT M48X2		
19.	0.125.0542.00	CO HOUSING		
20.	U0.125.1303.00	COMER COVER		
21.	0.125.2002.00	CO SHAFT		
22.	0.125.3019.00	CO OUTPUT SHAFT		
23.	2.125.5000.00	CO BEVEL GEAR CPLNG 1:1.6 M7.5	Set includes items 24 & 25	
24.	0.125.6008.00	CO FORGED BEVEL GEAR M7.5 Z24		
25.	0.125.5008.00	CO FORGED BEVEL GEAR M7.5 Z15		
26.	0.709.7520.00	CO SHIM 70.3X84.7X2		
27.	U0.125.7100.00	COMER CASTLE NUT M40X1.5		
28.	0.252.7510.00	CO SHIM (45.3X65.3X1)		
29.	1.125.7101.00	CO SEAL PROTECTOR		
30.	8.6.6.01623	CO PLUG 3/4" GAS+WASHER		
31.	826-959C	COMER 0.125.7110.00 DIPSTICK		
32.	8.4.7.01350	CO COTTER PIN B8X90 *		
		Notes: Oil Type 80-90W Capacity 12.4 Pints (5.87 L)		

# Gearbox Divider 1000 RPM (826-521C)

Applies to RCM5715



72409

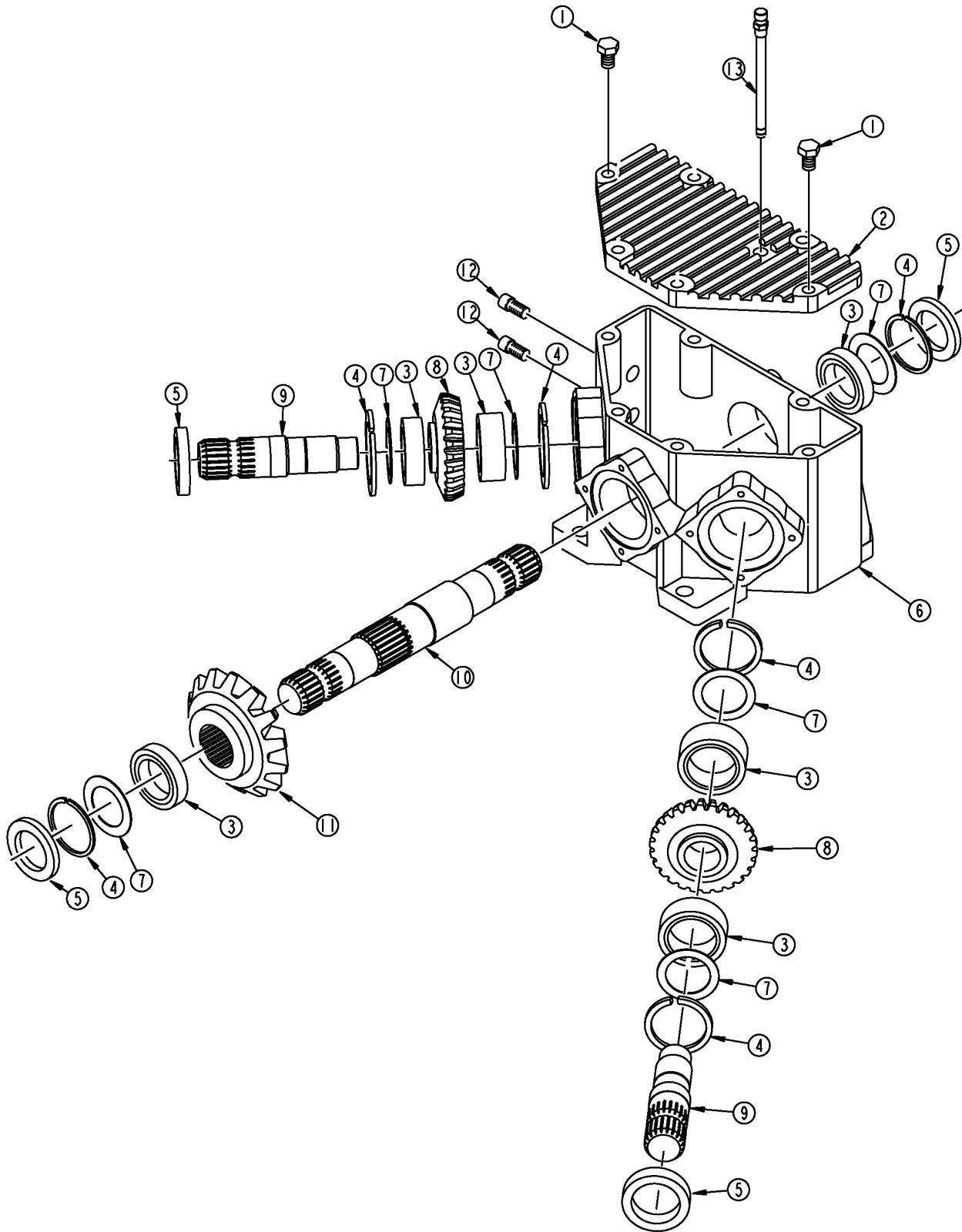


**Gearbox Divider 1000 RPM (826-521C)****Applies to RCM5715**

Ref	Part No.	Part Description	Comments	Revision
	Dwg 72409 826-521C	Image No. DIV BOX COMER 1000RPM 1 3/4-20 *		
1.	8.1.1.00109	CO BOLT M10 X 35 8.8		
2.	0.305.1300.00	TOP COVER PLATE		
3.	8.0.9.00143	CO BEARING 30209 RTA25		
4.	8.5.2.01772	CO SNAP RING		
5.	8.7.3.00331	CO OIL SEAL 45 X 85 X 10		
6.	0.305.0300.01	CO CASING		
7.	0.709.7500.00	CO SHIM 84.7		
8.	A.305.501	CO TRIAD GEAR Z20-Z24-Z24 M6.5		
9.	0.305.3000.00	CO SHAFT 1" 3/4 Z20		
10.	0.305.2000.00	CO SHAFT 1" 3/4 Z20		
11.	A.305.501	CO TRIAD GEAR Z20-Z24-Z24 M6.5		
12.	8.6.6.00201	CO PLUG 3/8 GAS		
13.	826-848C	COMER 0.340.7101.00 DIPSTICK		
14.	A.305.501	CO TRIAD GEAR Z20-Z24-Z24 M6.5	Contains 2 of gear #8 and 1 of gear #11	
		*		
		Notes: Oil Type 80-90W Capacity 5.5 Pints		

# ***Gearbox Divider 540 RPM (826-520C)***

**Applies to RC5715**



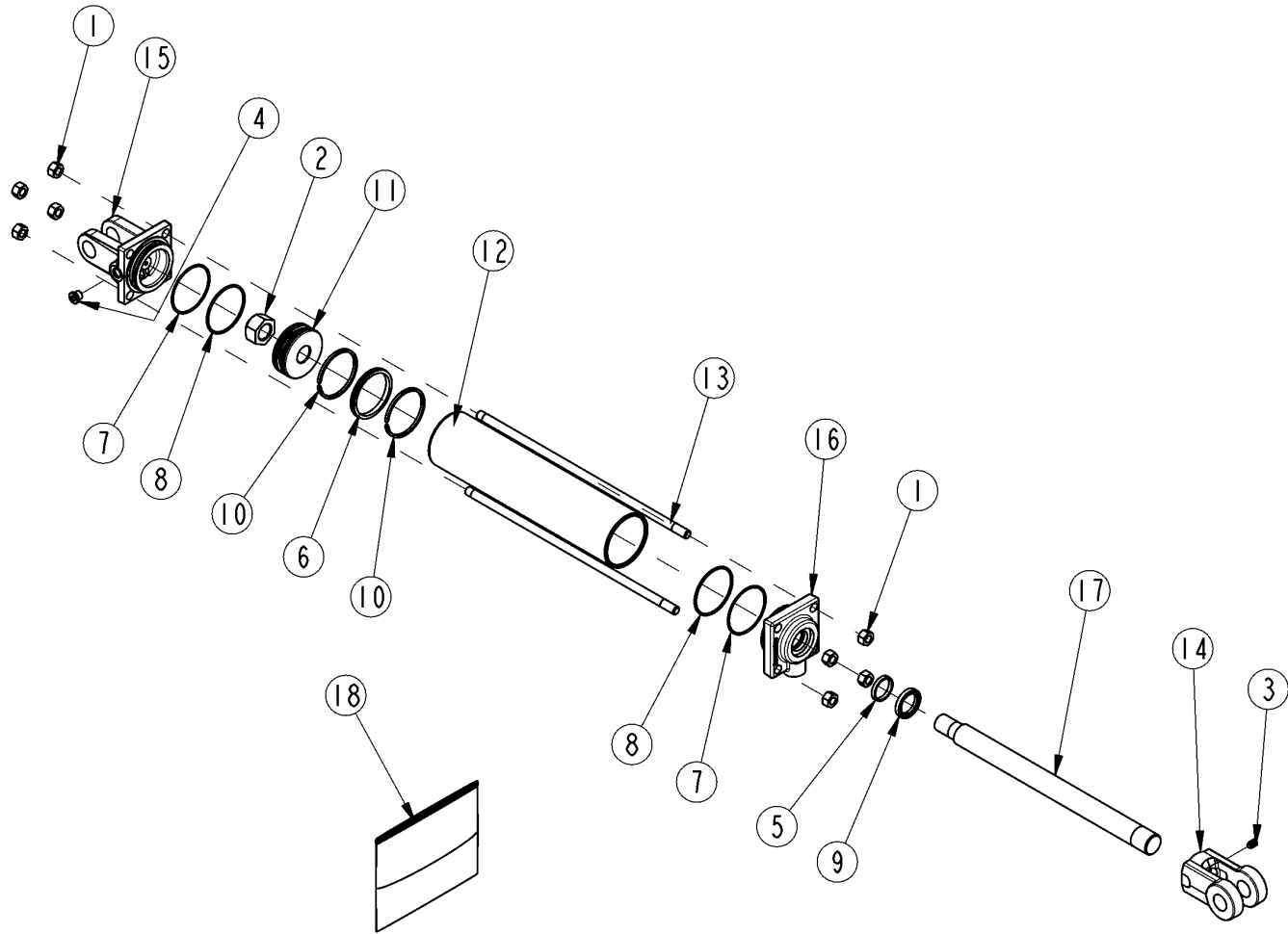
72418

**Gearbox Divider 540 RPM (826-520C)****Applies to RC5715**

<b>Ref</b>	<b>Part No.</b>	<b>Part Description</b>	<b>Comments</b>	<b>Revision</b>
	Dwg 72418 826-520C	Image No. DIV BOX 540RPM 1 3/4-20 *	Complete assembly	
1.	8.1.1.00109	CO BOLT M10 X 35 8.8		
2.	0.305.1300.00	TOP COVER PLATE		
3.	8.0.9.00143	CO BEARING 30209 RTA25		
4.	8.5.2.01772	CO SNAP RING		
5.	8.7.3.00331	CO OIL SEAL 45 X 85 X 10		
6.	0.305.0300.01	CO CASING		
7.	A.709.500	COMER SHIM KIT		
8.	A.305.500	CO TRIAD GEAR Z20-Z20-Z24 M6.5		
9.	0.305.3000.00	CO SHAFT 1" 3/4 Z20		
10.	0.305.2000.00	CO SHAFT 1" 3/4 Z20		
11.	A.305.500	CO TRIAD GEAR Z20-Z20-Z24 M6.5		
12.	8.6.6.00201	CO PLUG 3/8 GAS		
13.	826-848C	COMER 0.340.7101.00 DIPSTICK		
14.	A.305.500	CO TRIAD GEAR Z20-Z20-Z24 M6.5	Contains 2 of gear #8 and 1 of gear #11	
		*		
		Notes: Oil Type 80-90W Capacity 5.5 Pints		

# Hydraulic Cylinder (810-312C)

Applies to RC5715, RCM5715



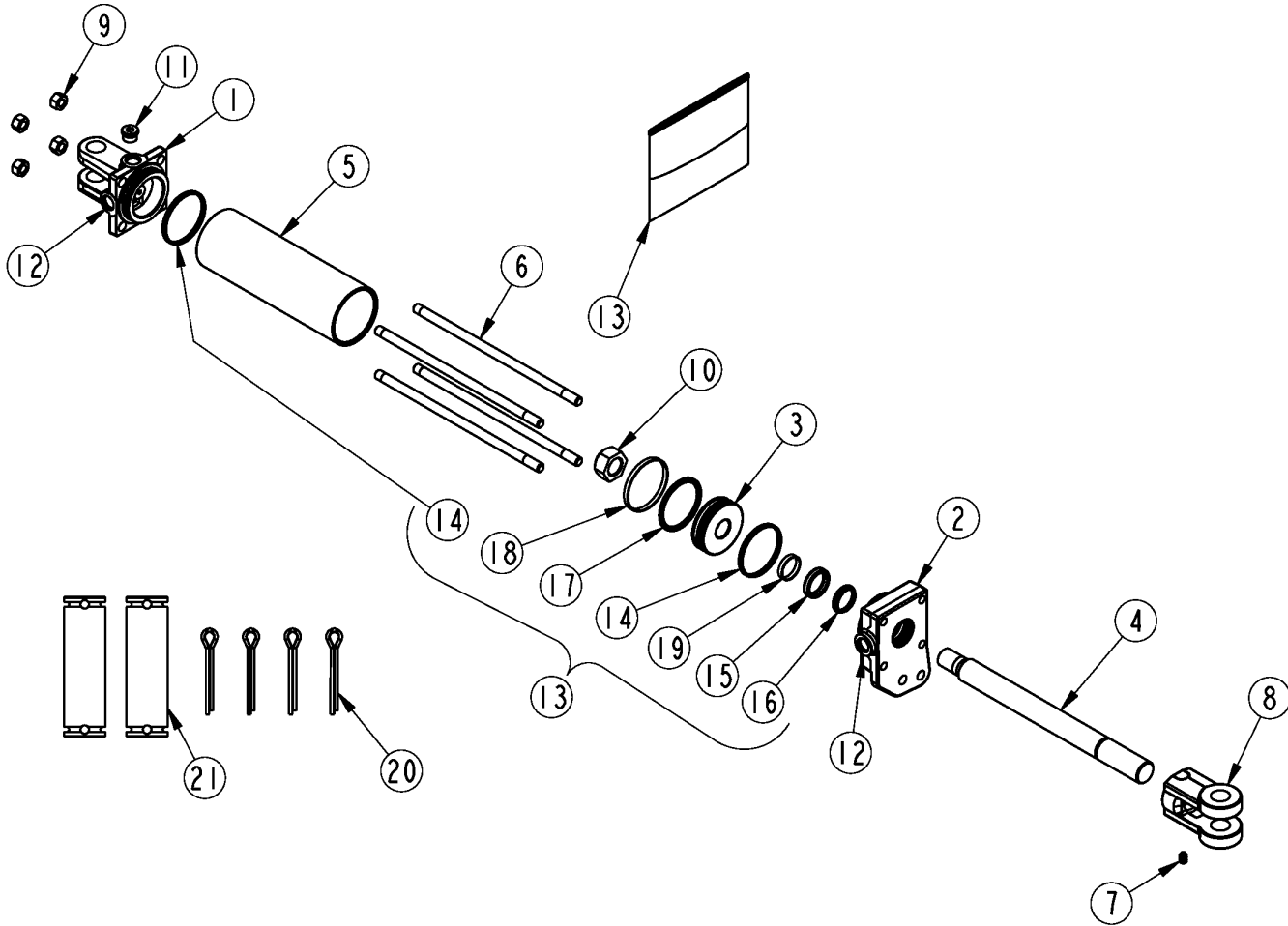
25902

**Hydraulic Cylinder (810-312C)****Applies to RC5715, RCM5715**

<b>Ref</b>	<b>Part No.</b>	<b>Part Description</b>	<b>Comments</b>	<b>Revision</b>
	Dwg 25902 810-312C	Drawing Image Number CYL 3X12X1.25 ROD (TIE ROD) *	Complete Assembly	
1.	803-020C	NUT HEX 1/2-13 PLT		
2.	130560	MON PISTON NUT		
3.	801-023C	SCREW SET SH 3/8-16X3/8 TYPE C		
4.	186561	PLUG 9/16-18UNF MORB SOCKET HD		
5.	N/A	MON ROD SEAL	Only Found in Kit #18	
6.	N/A	MON PISTON SEAL (PSP)	Only Found in Kit #18	
7.	N/A	MON END CAP B/U WASHER	Only Found in Kit #18	
8.	N/A	MON END CAP O-RING	Only Found in Kit #18	
9.	N/A	SEAL WIPER ROD	Only Found in Kit #18	
10.	N/A	MON PISTON WEAR RING	Only Found in Kit #18	
11.	258821	MON PISTON 3.00-1.0-TSS-ISO-WR		
12.	491742	MON CYL TUBE		
13.	492282	MON TIE ROD		
14.	492652	LION ROD CLEVIS 1 1/4 (1PIN)		
15.	492721	LION CLEVIS CAP 3.0-9/16 ORB		
16.	494383	MON ROD CAP3.00-1.25-9/16ORBTS		
17.	492870	MON CYL ROD		
18.	810-887C	MON SEAL KIT 661702		

# Hydraulic Cylinder (850-218C)

Applies to RC5715, RCM5715



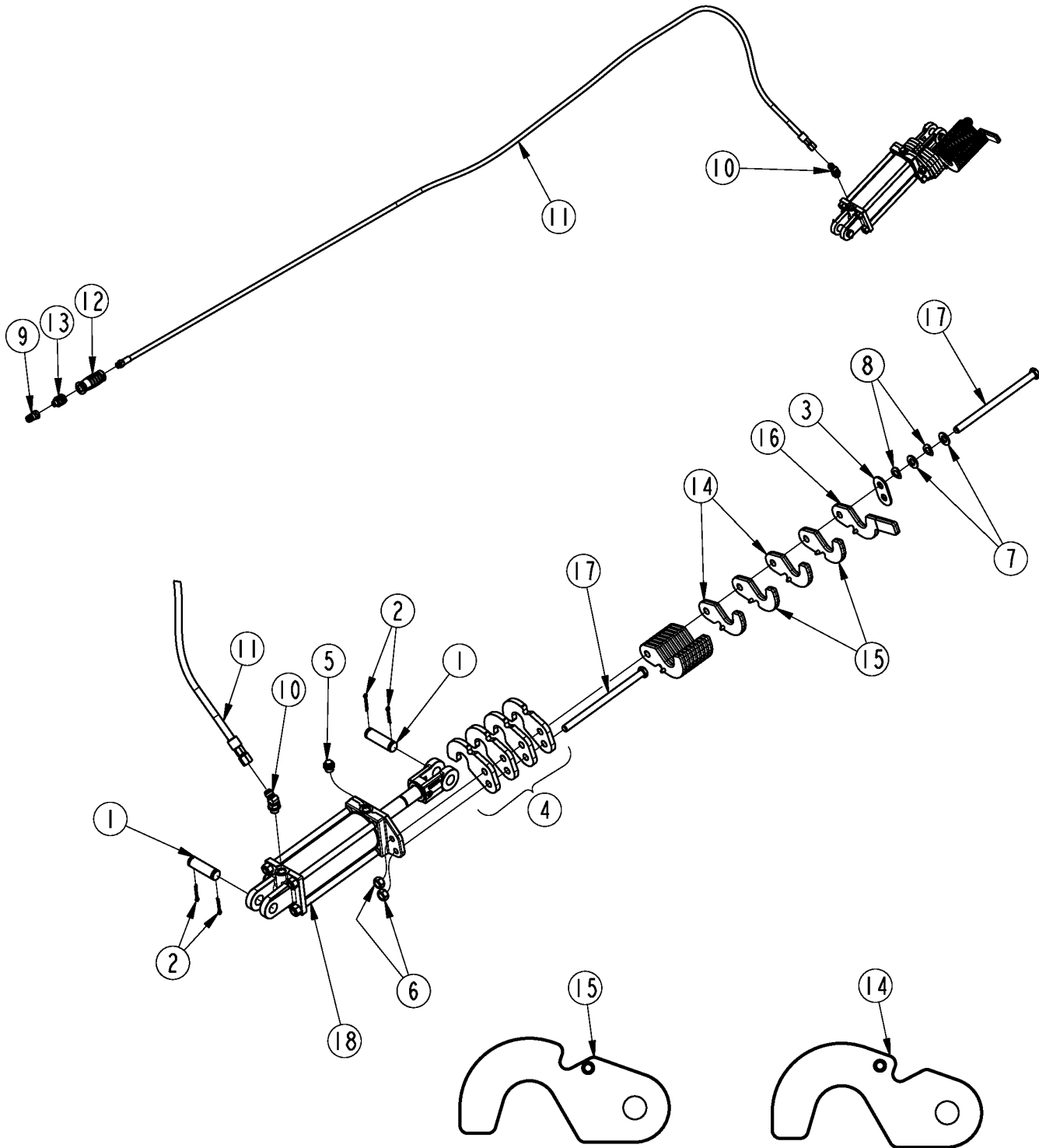
74289

***Hydraulic Cylinder (850-218C)*****Applies to RC5715, RCM5715**

<b>Ref</b>	<b>Part No.</b>	<b>Part Description</b>	<b>Comments</b>	<b>Revision</b>
	Dwg 74289 850-218C	Image No. CYL 3.5X8X1.25 ROD TIE W/MNT *	Complete assembly	
1.	499038	MON CLEVIS CAP		
2.	292615	MON ROD CAP		
3.	258827	MON PISTN 3.50-1.00-TSS-ISO-WR		
4.	492700	LION ROD 1.25 DIA. ASAE 8		
5.	491798	LION CYL. TUBE 3.5 X 8		
6.	292019	MON TIE ROD		
7.	148000	MON SET SCREW 3/8INC ONE PIECE		
8.	492652	LION ROD CLEVIS 1 1/4 (1PIN)		
9.	803-022C	NUT HEX 5/8-18 PLT		
10.	130560	MON PISTON NUT		
11.	186562	LION PLUG 3/4-16UNF SOCKET HD		
12.	174136	MON THD PROT 3/4-16UN ORB ZINC		
13.	649216	MON SEAL KIT RK35WR-125 TSS		
14.	NA	MON SEAL		
15.	NA	MON SEAL		
16.	NA	MON SEAL		
17.	NA	MON SEAL		
18.	NA	MON SEAL		
19.	NA	MON SEAL		
20.	135995	MON CLEVIS PIN COTTER		
21.	134953	LION PIN		

# Lift Hydraulics

Applies to RC5715, RCM5715



74291

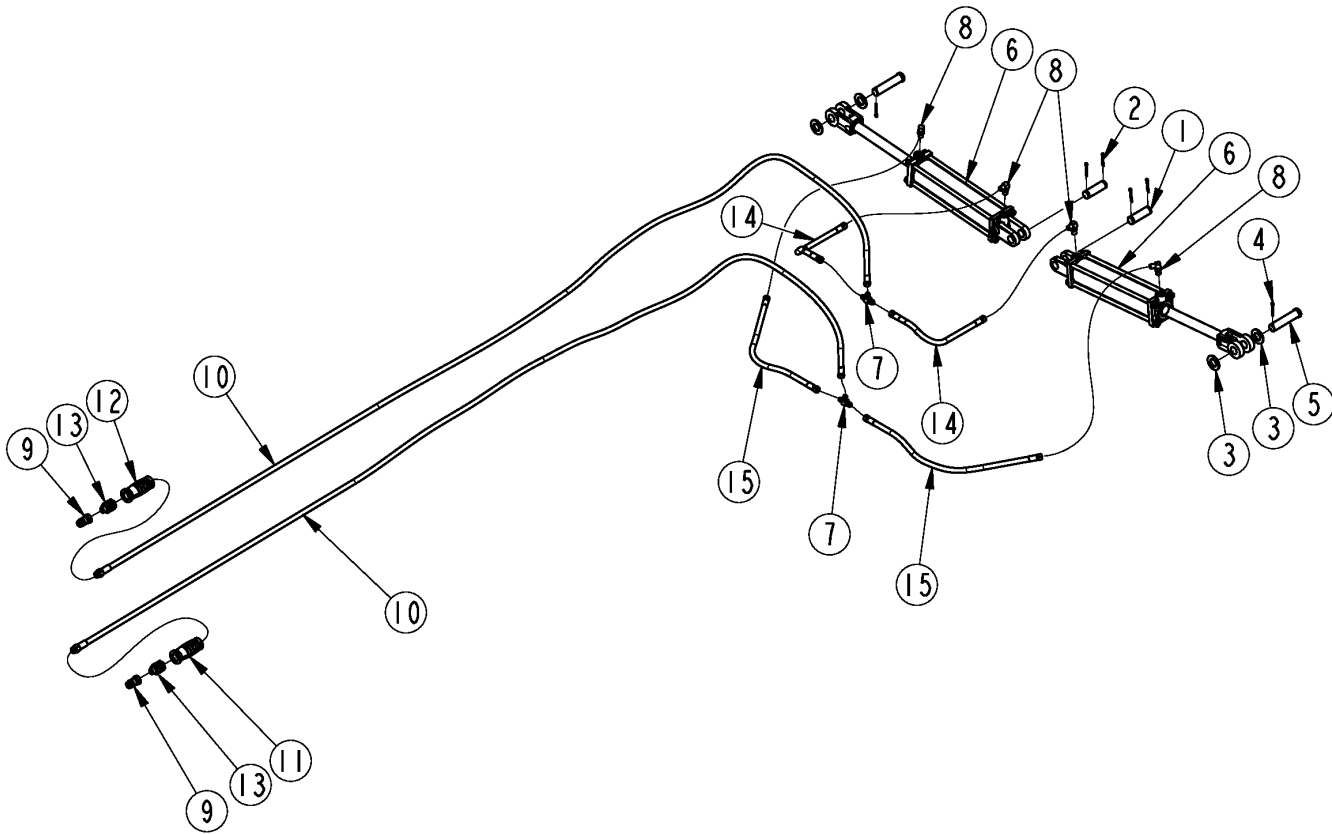


***Lift Hydraulics*****Applies to RC5715, RCM5715**

<b>Ref</b>	<b>Part No.</b>	<b>Part Description</b>	<b>Comments</b>	<b>Revision</b>
	Dwg 74291	Image No.		
1.	134953	LION PIN		
2.	135995	MON CLEVIS PIN COTTER		
3.	331-614D	SPACER RETAINER		
4.	331-735D	FIXED STROKE SPACER		
5.	800-306C	FILL PLUG VENTED 3/4-16 PLT		
6.	803-024C	NUT LOCK 5/8-11 PLT		
7.	804-021C	WASHER FLAT 5/8 SAE PLT		
8.	804-297C	WASHER WAVE M16		
9.	811-394C	CP 3/4FORB MALE QD POPPET TYPE		
10.	811-690C	EL 45 3/4MORB 3/4MJIC		
11.	811-786C	HH3/8R1 190 3/4MORB 3/4FJIC		
12.	811-826C	HG HANDLE - BLACK EXT		
13.	811-919C	AD 3/4MORB 3/4FORB (HG)		
14.	812-554C	FLIP SPACER		
15.	812-555C	FLIP SPACER		
16.	812-556C	FLIP SPACER WITH HANDLE		
17.	842-486C	HHCS 5/8-11X10 1/2 GR5		
18.	850-218C	CYL 3.5X8X1.25 ROD TIE W/MNT		

# Wing Fold Dual Acting Cylinders

Applies to RC5715, RCM5715



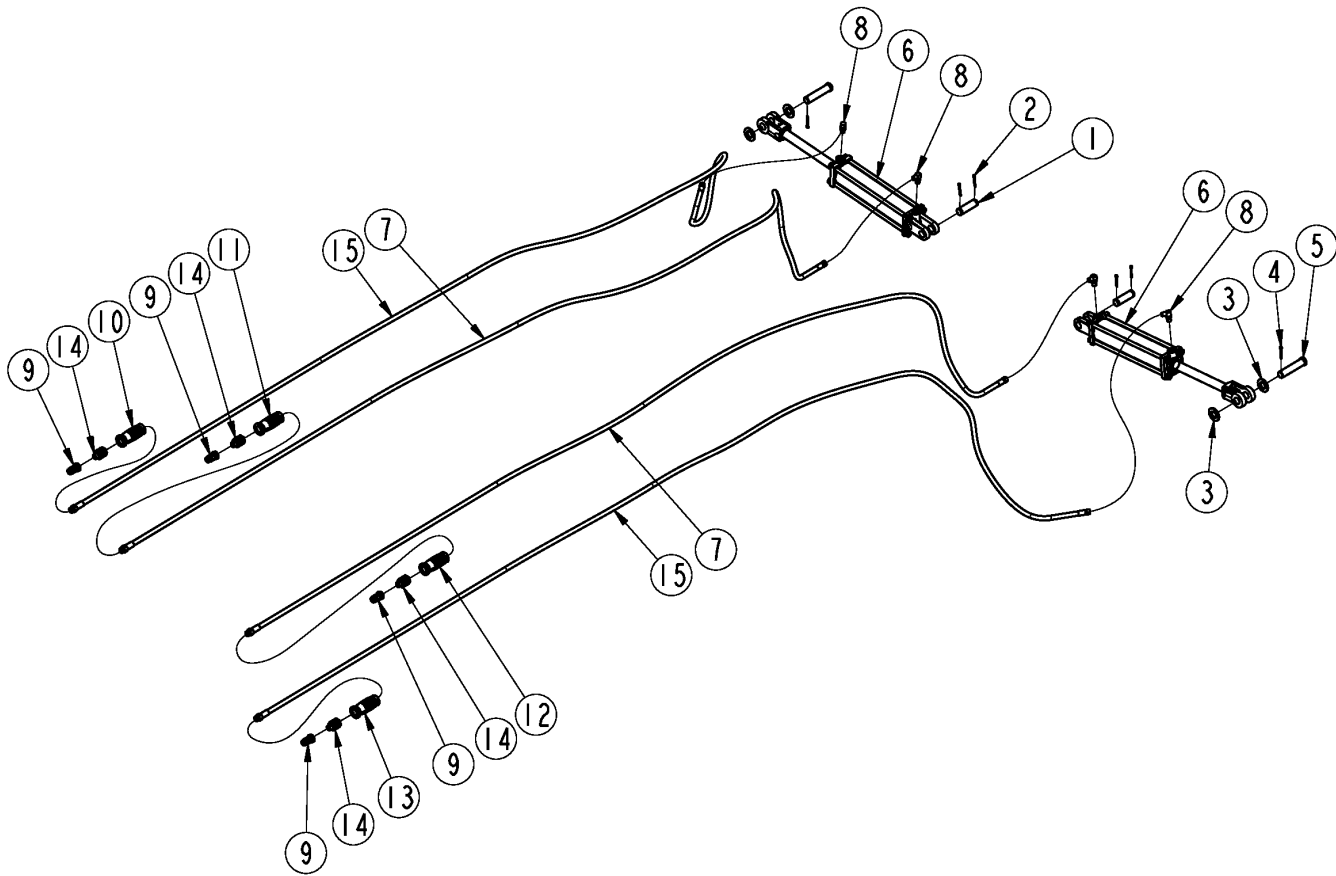
74294

**Wing Fold Dual Acting Cylinders****Applies to RC5715, RCM5715**

<b>Ref</b>	<b>Part No.</b>	<b>Part Description</b>	<b>Comments</b>	<b>Revision</b>
	Dwg 74294	Image No.		
1.	134953	LION PIN		
2.	135995	MON CLEVIS PIN COTTER		
3.	804-029C	WASHER FLAT 1 SAE		
4.	805-104C	PIN COTTER 3/16 X 1 1/2 PLT		
5.	805-493C	PIN CLVS 1.0X4.20 USBL		
6.	810-312C	CYL 3X12X1.25 ROD (TIE ROD)		
7.	811-312C	TE 9/16MJIC		
8.	811-337C	OREL 1/16 9/16MJIC 9/16MORB		
9.	811-394C	CP 3/4FORB MALE QD POPPET TYPE		
10.	811-542C	HH3/8R1 178 3/4MORB 9/16FJIC		
11.	811-827C	HG HANDLE - RED RET		
12.	811-914C	HG HANDLE - RED EXT		
13.	811-919C	AD 3/4MORB 3/4FORB (HG)		
14.	841-282C	HH1/4R1 018 9/16FJIC		
15.	841-283C	HH1/4R1 028 9/16FJIC		

# Wing Fold Individual Dual Acting Cylinders

Applies to RC5715, RCM5715



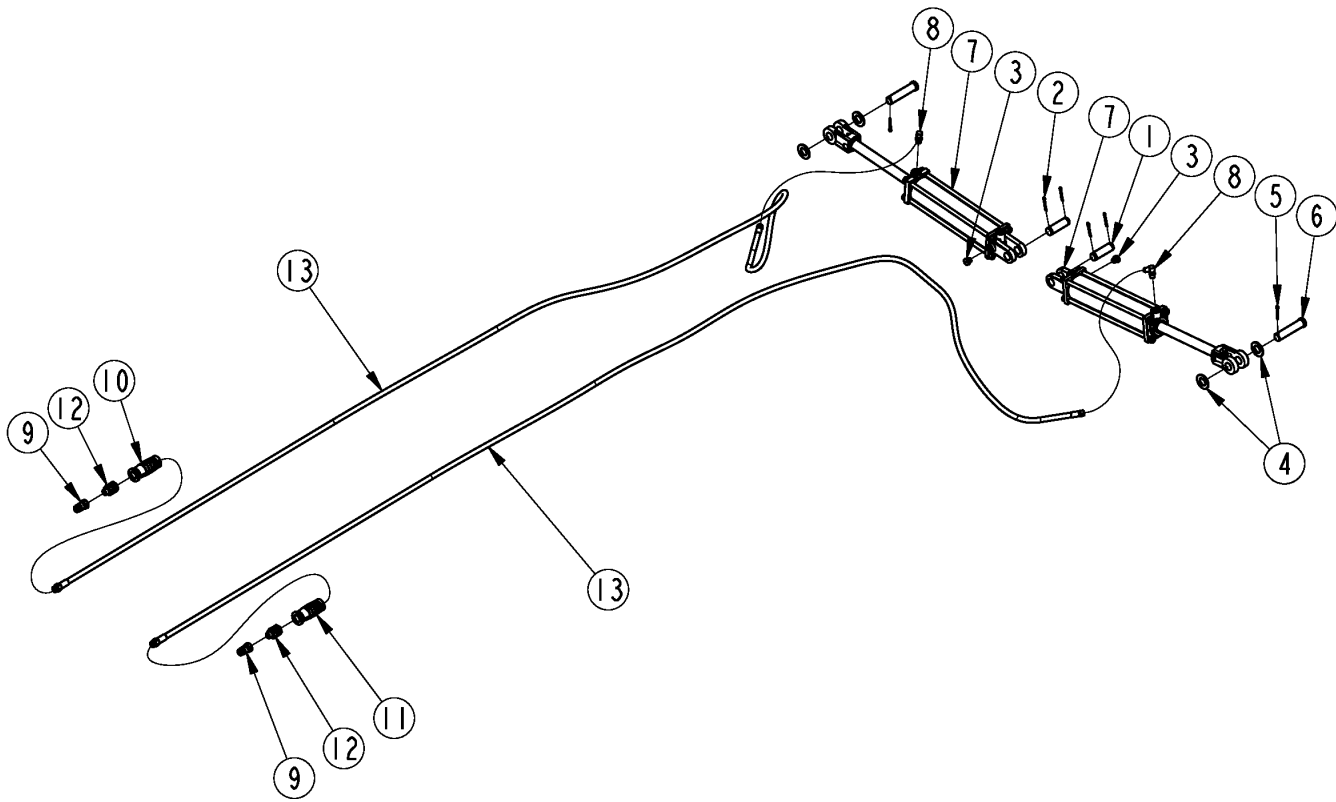
74295

**Wing Fold Individual Dual Acting Cylinders****Applies to RC5715, RCM5715**

<b>Ref</b>	<b>Part No.</b>	<b>Part Description</b>	<b>Comments</b>	<b>Revision</b>
	Dwg 74295	Image No.		
1.	134953	LION PIN		
2.	135995	MON CLEVIS PIN COTTER		
3.	804-029C	WASHER FLAT 1 SAE		
4.	805-104C	PIN COTTER 3/16 X 1 1/2 PLT		
5.	805-493C	PIN CLVS 1.0X4.20 USBL		
6.	810-312C	CYL 3X12X1.25 ROD (TIE ROD)		
7.	811-238C	HH3/8R1 189 9/16FJIC 3/4MORB		
8.	811-337C	OREL 1/16 9/16MJIC 9/16MORB		
9.	811-394C	CP 3/4FORB MALE QD POPPET TYPE		
10.	811-827C	HG HANDLE - RED RET		
11.	811-914C	HG HANDLE - RED EXT		
12.	811-917C	HG HANDLE - YELLOW EXT		
13.	811-918C	HG HANDLE - YELLOW RET		
14.	811-919C	AD 3/4MORB 3/4FORB (HG)		
15.	851-167C	HH3/8R1 208 3/4MORB 9/16FJIC		

# Wing Fold Individual Single Acting Cylinders

Applies to RC5715, RCM5715



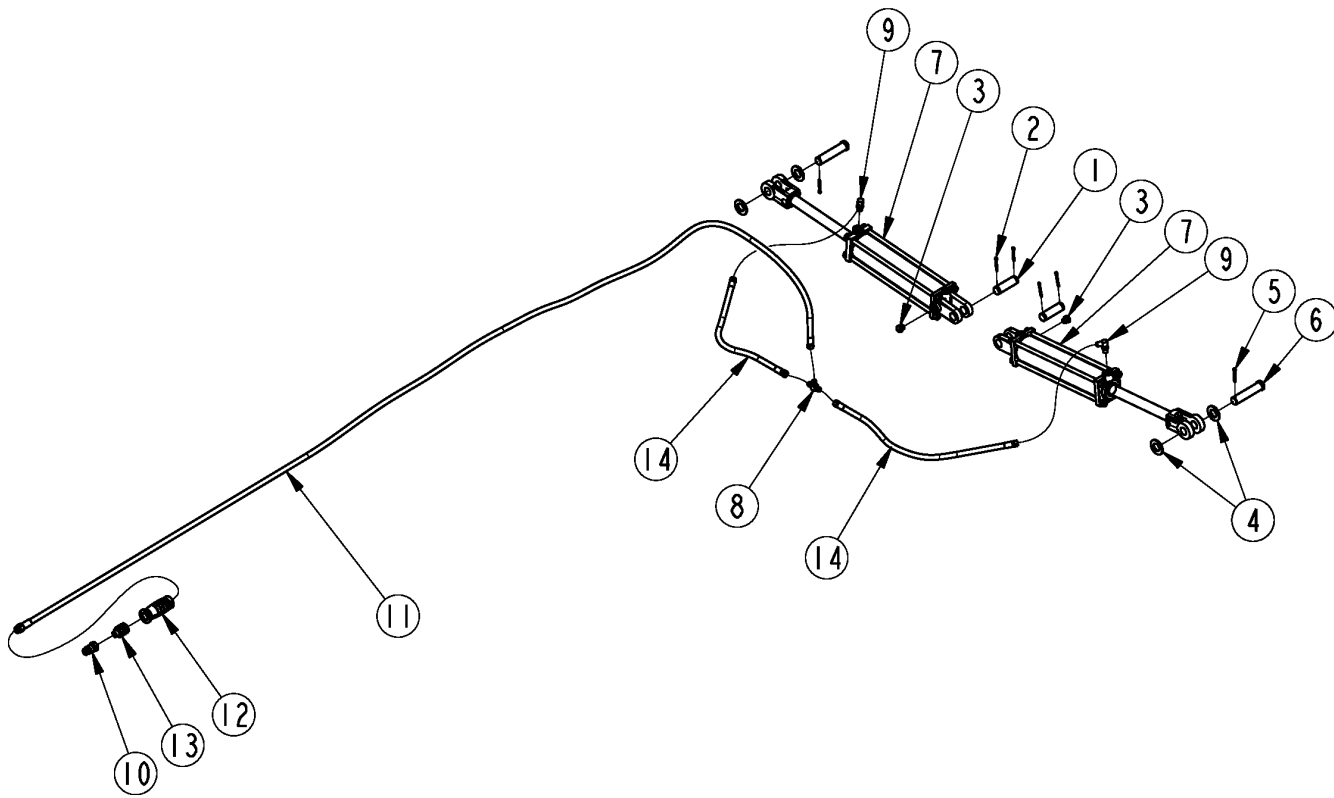
74299

**Wing Fold Individual Single Acting Cylinders****Applies to RC5715, RCM5715**

<b>Ref</b>	<b>Part No.</b>	<b>Part Description</b>	<b>Comments</b>	<b>Revision</b>
	Dwg 74299	Image No.		
1.	134953	LION PIN		
2.	135995	MON CLEVIS PIN COTTER		
3.	800-117C	VENT PLUG - 9/16-18 PLATED		
4.	804-029C	WASHER FLAT 1 SAE		
5.	805-104C	PIN COTTER 3/16 X 1 1/2 PLT		
6.	805-493C	PIN CLVS 1.0X4.20 USBL		
7.	810-312C	CYL 3X12X1.25 ROD (TIE ROD)		
8.	811-337C	OREL 1/16 9/16MJIC 9/16MORB		
9.	811-394C	CP 3/4FORB MALE QD POPPET TYPE		
10.	811-827C	HG HANDLE - RED RET		
11.	811-918C	HG HANDLE - YELLOW RET		
12.	811-919C	AD 3/4MORB 3/4FORB (HG)		
13.	851-167C	HH3/8R1 208 3/4MORB 9/16FJIC		

# Wing Fold Single Acting Cylinders

Applies to RC5715, RCM5715



74300

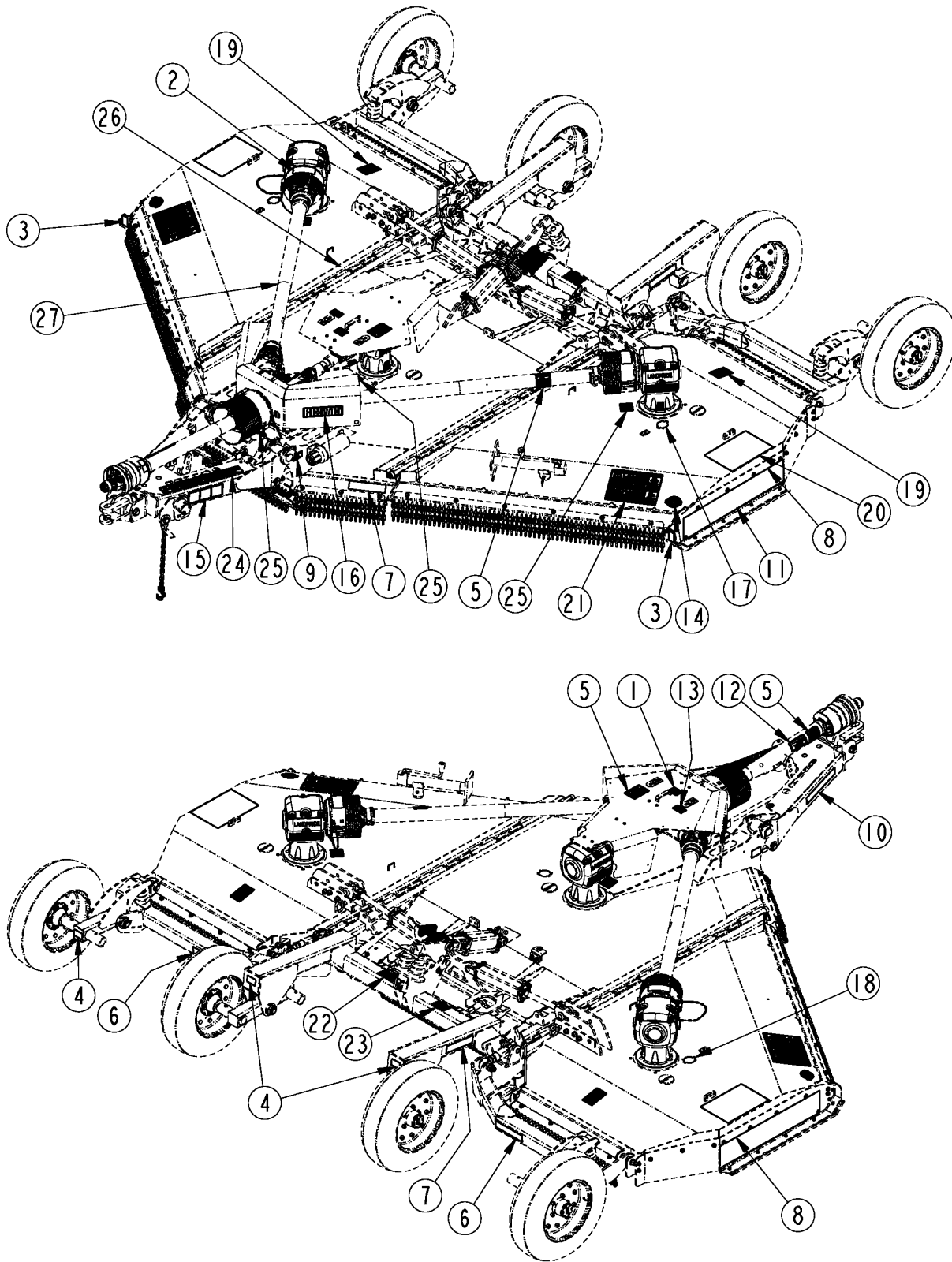


**Wing Fold Single Acting Cylinders****Applies to RC5715, RCM5715**

<b>Ref</b>	<b>Part No.</b>	<b>Part Description</b>	<b>Comments</b>	<b>Revision</b>
	Dwg 74300	Image No.		
1.	134953	LION PIN		
2.	135995	MON CLEVIS PIN COTTER		
3.	800-117C	VENT PLUG - 9/16-18 PLATED		
4.	804-029C	WASHER FLAT 1 SAE		
5.	805-104C	PIN COTTER 3/16 X 1 1/2 PLT		
6.	805-493C	PIN CLVS 1.0X4.20 USBL		
7.	810-312C	CYL 3X12X1.25 ROD (TIE ROD)		
8.	811-312C	TE 9/16MJIC		
9.	811-337C	OREL 1/16 9/16MJIC 9/16MORB		
10.	811-394C	CP 3/4FORB MALE QD POPPET TYPE		
11.	811-542C	HH3/8R1 178 3/4MORB 9/16FJIC		
12.	811-827C	HG HANDLE - RED RET		
13.	811-919C	AD 3/4MORB 3/4FORB (HG)		
14.	841-283C	HH1/4R1 028 9/16FJIC		

# Decal Placement

Applies to RC5715, RCM5715



74301

**Decal Placement****Applies to RC5715, RCM5715**

<b>Ref</b>	<b>Part No.</b>	<b>Part Description</b>	<b>Comments</b>	<b>Revision</b>
	Dwg 74301	Image No.		
1.	818-130C	DECAL WARNING 540 RPM	540 RPM	
1.	818-240C	DECAL WARNING 1000 RPM	1000 RPM	
2.	818-142C	DECAL DANGER PTO DRIVELINE EN		
3.	818-229C	DECAL AMBER REFLECTOR		
4.	818-230C	DECAL RED REFLECTOR		
5.	818-552C	DECAL DANGER PTO DRIVELINE		
6.	838-614C	DECAL REFLECTOR RED 2X9		
7.	838-615C	DECAL REFLECTOR AMBER 2X9		
8.	844-073C	DECAL, GUARD MISSING	Under side skirt	
9.	844-074C	CUTTER PATENT DECAL		
11.	848-122C	DECAL LANDPRIDE 34" TAN/BROWN		
12.	848-465C	DECAL DRIVELINE 826-643C		
13.	848-872C	DECAL 7 YEAR GEARBOX WARRANTY		
14.	858-108C	DECAL, AR400 STEEL		
15.	858-381C	DECAL JACK ADJUSTMENT		
16.	858-439C	DECAL, RC5715	RC5715	
16.	858-440C	DECAL, RCM5715	RCM5715	
17.	858-917C	DECAL CW BLADE ROTATION		
18.	858-918C	DECAL CCW BLADE ROTATION		
19.	858-947C	DECAL DANGER ROTATE BLADE		
20.	858-948C	DECAL, 7-SERIES		
21.	858-949C	DECAL CUTTER SAFETY COMBO		
22.	858-950C	DECAL, CUTTER PINCH POINT		
23.	858-951C	DECAL, CYLINDER LOCKS		
24.	858-954C	DECAL, SAFETY COMBO, TONGUE		
25.	858-956C	DECAL, GUARD MISSING		
26.	858-966C	DECAL, LANDPRIDE.COM	Under wing decks	
27.	818-540C	DECAL DANGER GUARD MISS PTO	Covered by driveline guards	

***Touch-up Paints - LP***

---

Applies to RC5715, RCM5715

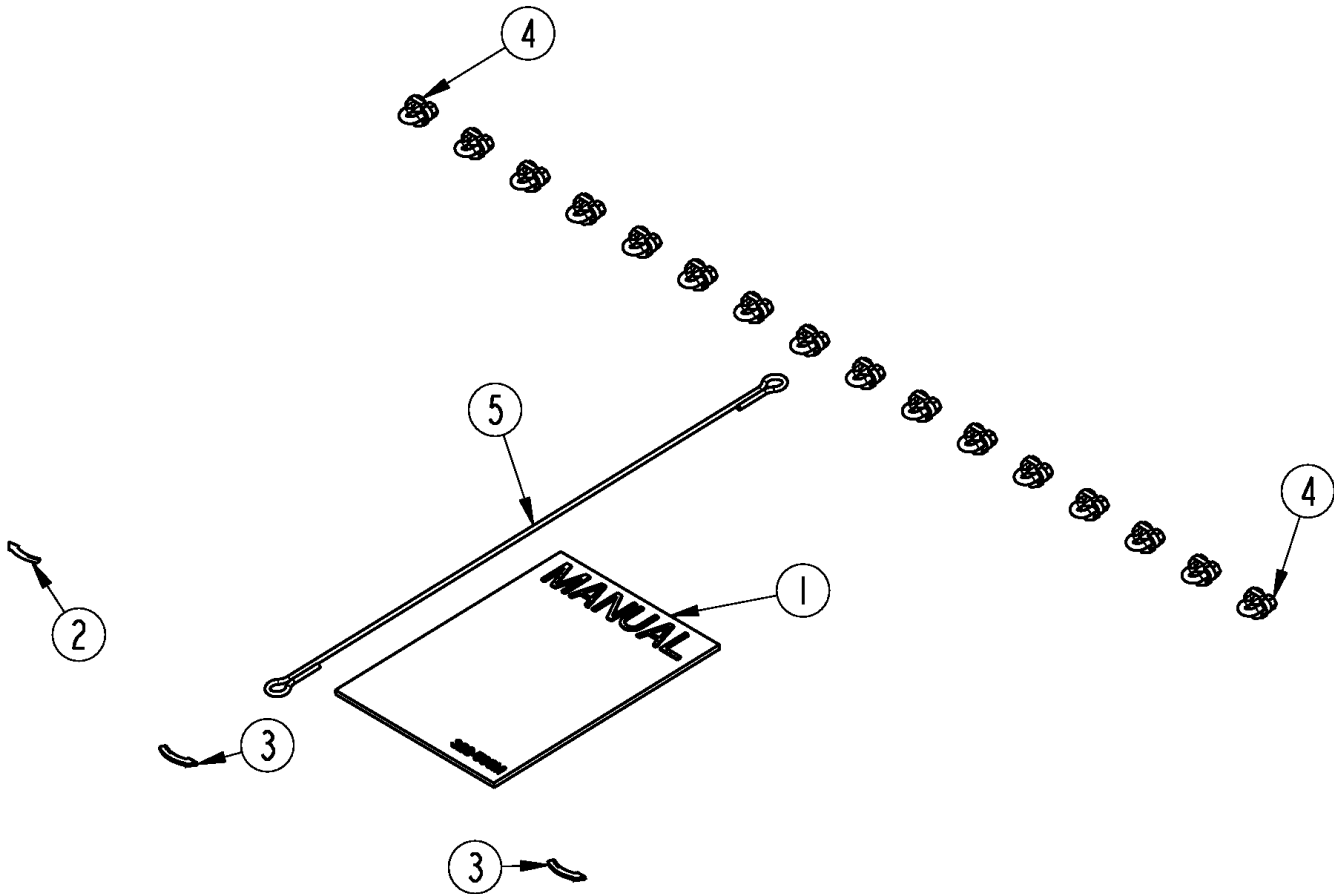
**No diagram associated with this Parts List**

**Touch-up Paints - LP****Applies to RC5715, RCM5715**

<b>Ref</b>	<b>Part No.</b>	<b>Part Description</b>	<b>Comments</b>	<b>Revision</b>
1.	821-011C	LP BEIGE SPRAY CAN	Spray can	
1.	821-011CTU	LP BEIGE TOUCH-UP 5OZ	Touch-up bottle with brush	
1.	821-011CQT	LP BEIGE QUART	Quart can	
1.	821-011CGL	LP BEIGE GALLON	Gallon can	
2.	821-070C	GLOSS BLACK SPRAY CAN	Spray can	
2.	821-070CTU	GLOSS BLACK TOUCH-UP 5OZ	Touch-up bottle with brush	
2.	821-070CQT	GLOSS BLACK QUART	Quart can	
2.	821-070CGL	GLOSS BLACK GALLON	Gallon can	
3.	821-054C	MED. RED SPRAY TRCK/CTR	Spray can	
3.	821-054CTU	MED RED TOUCH-UP 5OZ	Touch-up bottle with brush	
3.	821-054CQT	MED RED QUART	Quart can	
3.	821-054CGL	MED RED GALLON	Gallon can	
4.	821-058C	GREEN SPRAY CUTTERS	Spray can	
4.	821-058CTU	GREEN TOUCH-UP 5OZ	Touch-up bottle with brush	
4.	821-058CQT	GREEN QUART	Quart can	
4.	821-058CGL	GREEN GALLON	Gallon can	
5.	821-066C	ORANGE SPRAY CAN	Spray can	
5.	821-066CTU	ORANGE TOUCH-UP 5OZ	Touch-up bottle with brush	
5.	821-066CQT	ORANGE QUART	Quart can	
5.	821-066CGL	ORANGE GALLON	Gallon can	
6.	821-067C	BLUE SPRAY CAN	Spray can	
6.	821-067CTU	BLUE TOUCH-UP 5OZ	Touch-up bottle with brush	
6.	821-067CQT	BLUE QUART	Quart can	
6.	821-067CGL	BLUE GALLON	Gallon can	
7.	821-080C	PAINT ALUMINUM/ZINC SPRAY CAN	Spray can	
7.	821-080CTU	PAINT ALUMINUM/ZINC TOUCH UP	Touch-up bottle with brush	
7.	821-080CQT	PAINT ALUMINUM/ZINC QUART	Quart can	
7.	821-080CGL	PAINT ALUMINUM/ZINC GALLON	Gallon can	

# Australian Cable Kit

Applies to RC5715, RCM5715



**Australian Cable Kit**

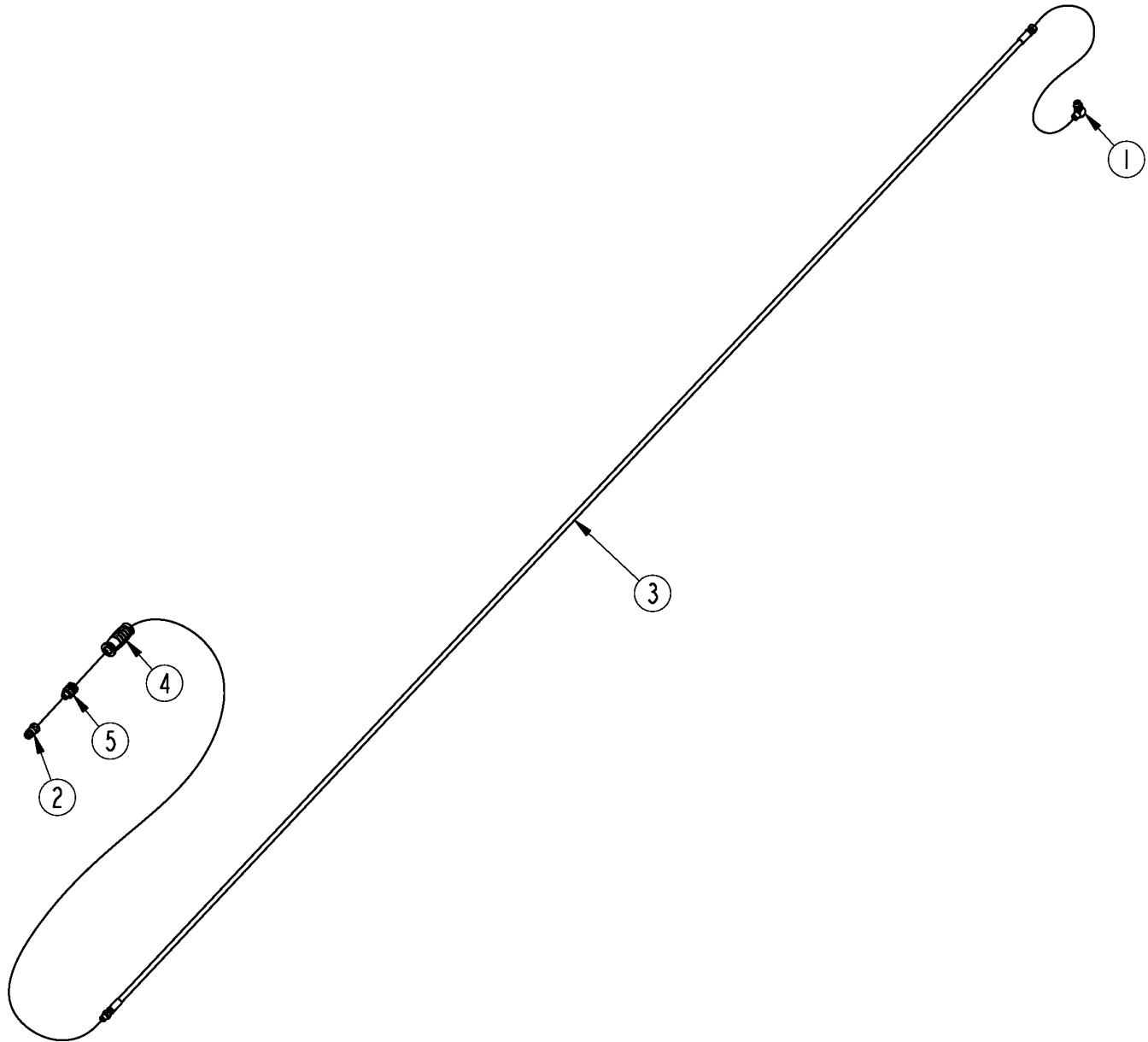
---

**Applies to RC5715, RCM5715**

<b>Ref</b>	<b>Part No.</b>	<b>Part Description</b>	<b>Comments</b>	<b>Revision</b>
	Dwg 72432	Image No.		
	326-597A	AUST 50' CABLE KIT W/16 CLAMPS *		
1.	326-593M	MANUAL AUSTRALIA GRD EXT KIT		
2.	838-374C	DECAL ROTATION ARROW CW		
3.	838-412C	DECAL ROTATION ARROW CCW		
4.	890-672C	U-BOLT WIRE ROPE CLP 3/16 GAL.		
5.	990-208R	AIRCRAFT CBL.3/16 7X7 GALV.		

# Dual Acting Lift Kit

Applies to RC5715, RCM5715



72335



## Dual Acting Lift Kit

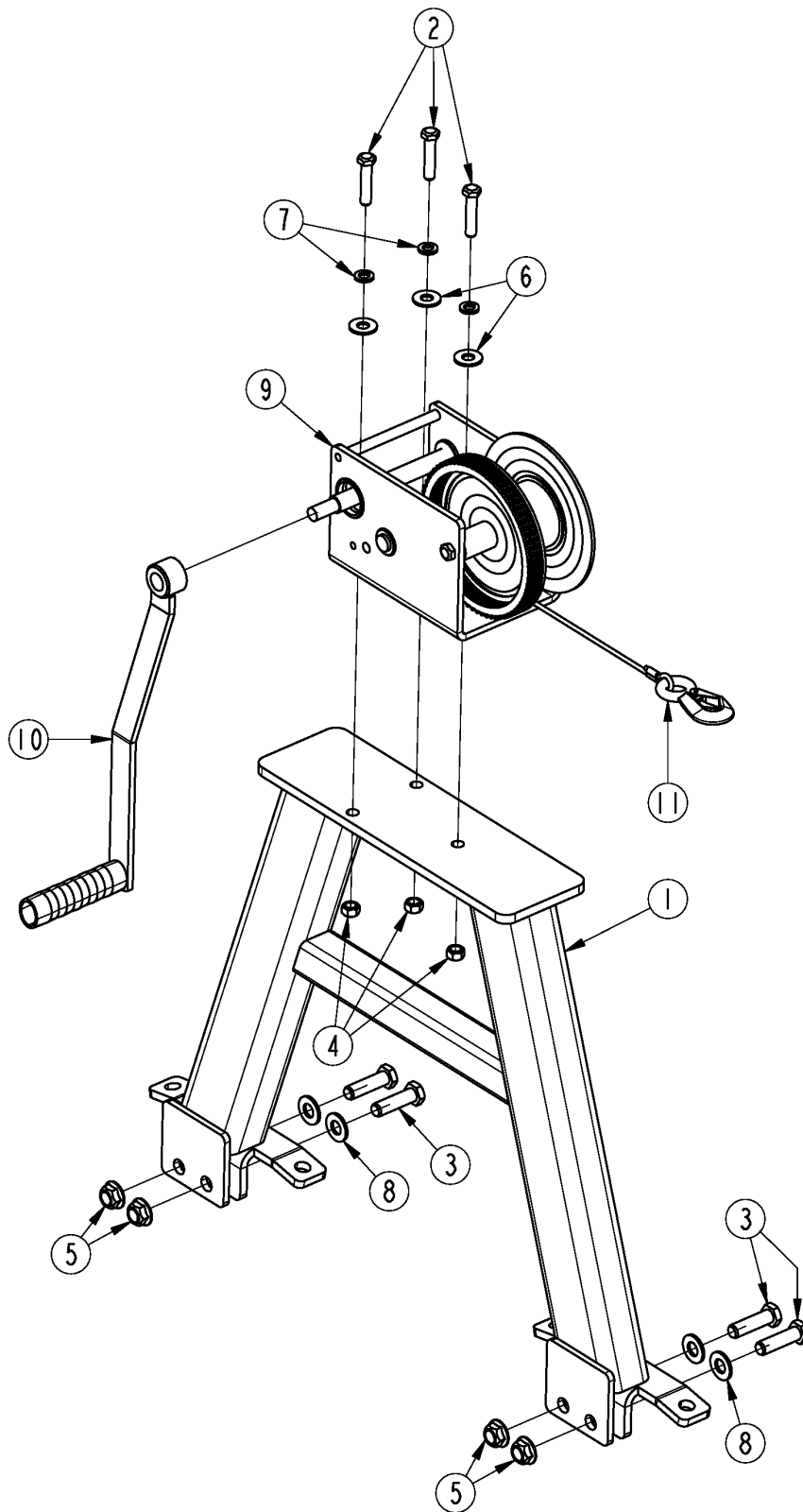
---

Applies to RC5715, RCM5715

Ref	Part No.	Part Description	Comments	Revision
	Dwg 72335 334-927A	Image No. DUAL ACTING LIFT CYLINDER KIT *		
1.	811-063C	EL 3/4MJIC 3/4MORB		
2.	811-394C	CP 3/4FORB MALE QD POPPET TYPE		
3.	811-881C	HH3/8R2 198 3/4MORB 3/4FJIC		
4.	811-913C	HG HANDLE - BLACK RET		
5.	811-919C	AD 3/4MORB 3/4FORB (HG)		

# Mechanical Winch

Applies to RC5715, RCM5715



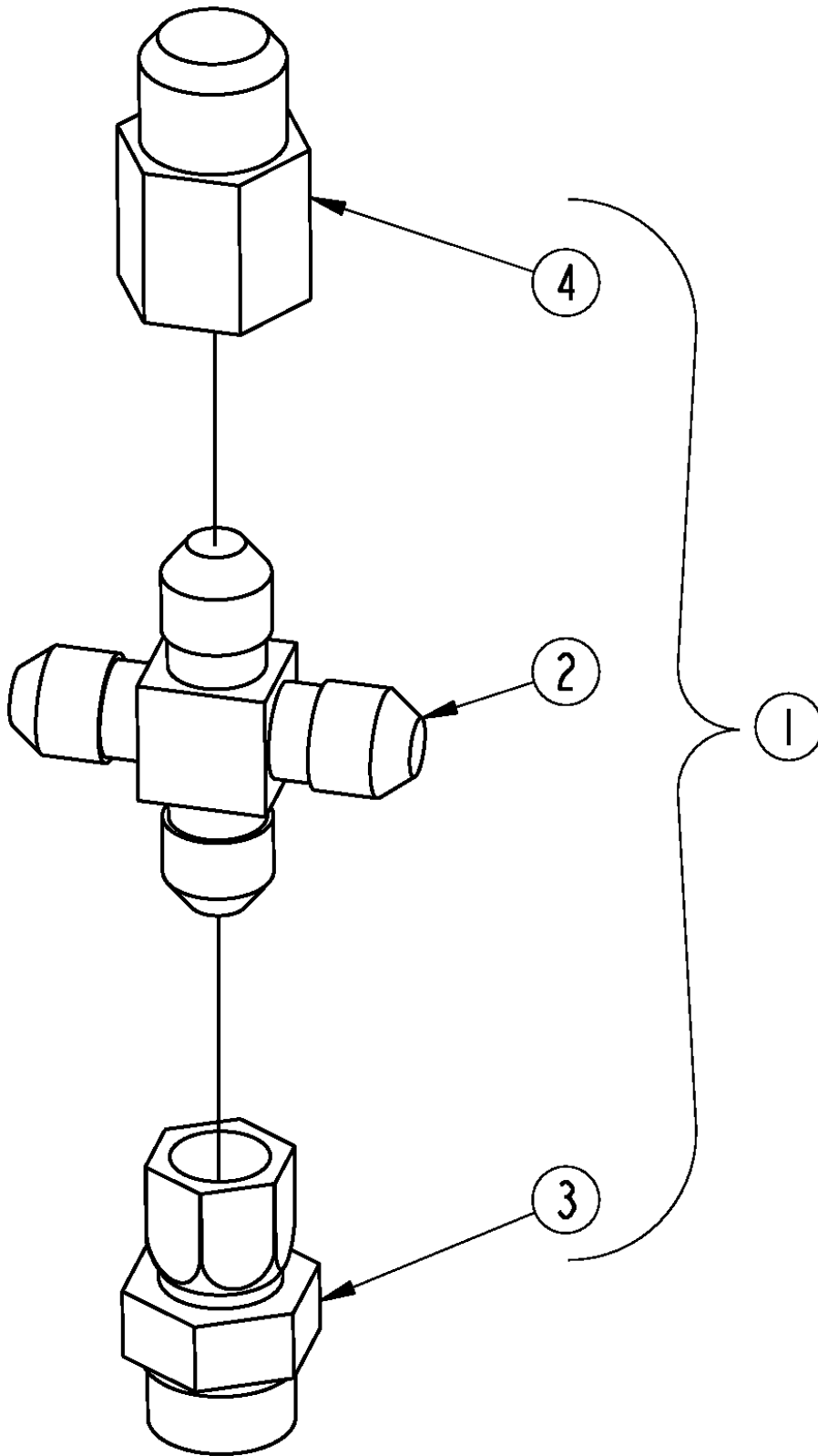
72426

**Mechanical Winch****Applies to RC5715, RCM5715**

<b>Ref</b>	<b>Part No.</b>	<b>Part Description</b>	<b>Comments</b>	<b>Revision</b>
	Dwg 72426 334-014A	Image No. MECHANICAL WINCH *	Complete Assembly	
1.	334-015H	MECHANICAL WINCH PEDESTAL		
2.	802-023C	HHCS 3/8-16X1 3/4 GR5		
3.	802-082C	HHCS 1/2-13X1 3/4 GR5 FTHD		
4.	803-013C	NUT LOCK 3/8-16 PLT		
5.	803-169C	NUT HEX FLG LOCK 1/2-13 PLT		
6.	804-011C	WASHER FLAT 3/8 USS PLT		
7.	804-013C	WASHER LOCK SPRING 3/8 PLT		
8.	804-016C	WASHER FLAT 1/2 SAE PLT		
9.	890-671C	BRAKE WINCH DLB2000	Includes sprockets and hardware	
10.	890-679C	WINCH HANDLE 12" DBL2000		
11.	890-680C	WINCH CABLE AND HOOK		

# Single Duplex Accessory

Applies to RC5715, RCM5715



70700

## ***Single Duplex Accessory***

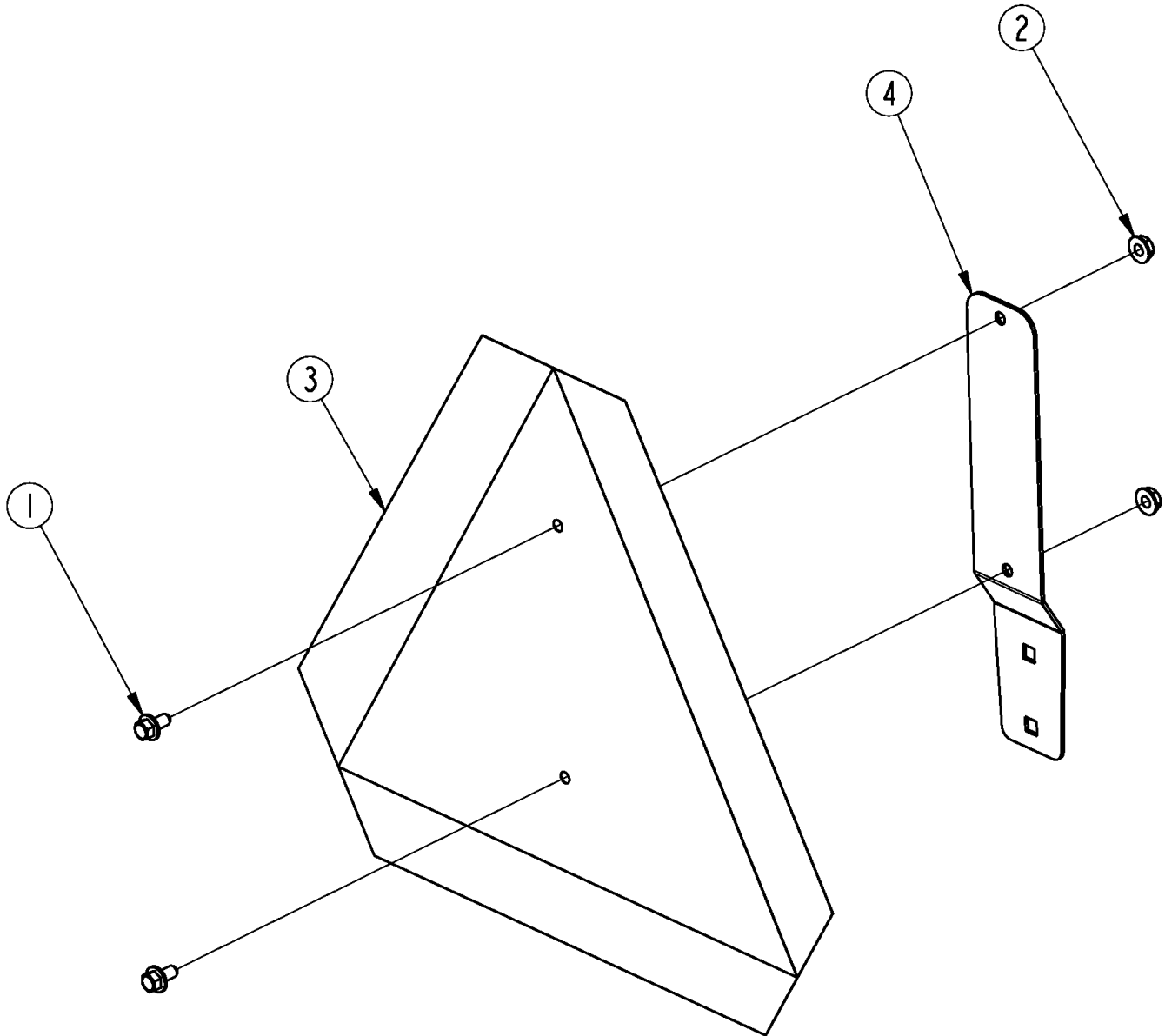
---

### **Applies to RC5715, RCM5715**

<b>Ref</b>	<b>Part No.</b>	<b>Part Description</b>	<b>Comments</b>	<b>Revision</b>
	Dwg 70700	Image No.		
1.	334-754A	SINGLE DUPLEX FITTINGS BUNDLE *	Contains 2, 3, and 4	
2.	811-581C	CR 9/16MJIC		
3.	841-204C	AD 9/16FJIC 3/4MORB		
4.	851-300C	AD 3/4MJIC 9/16FJIC		

# SMV Sign

Applies to RC5715, RCM5715



37482

**SMV Sign**

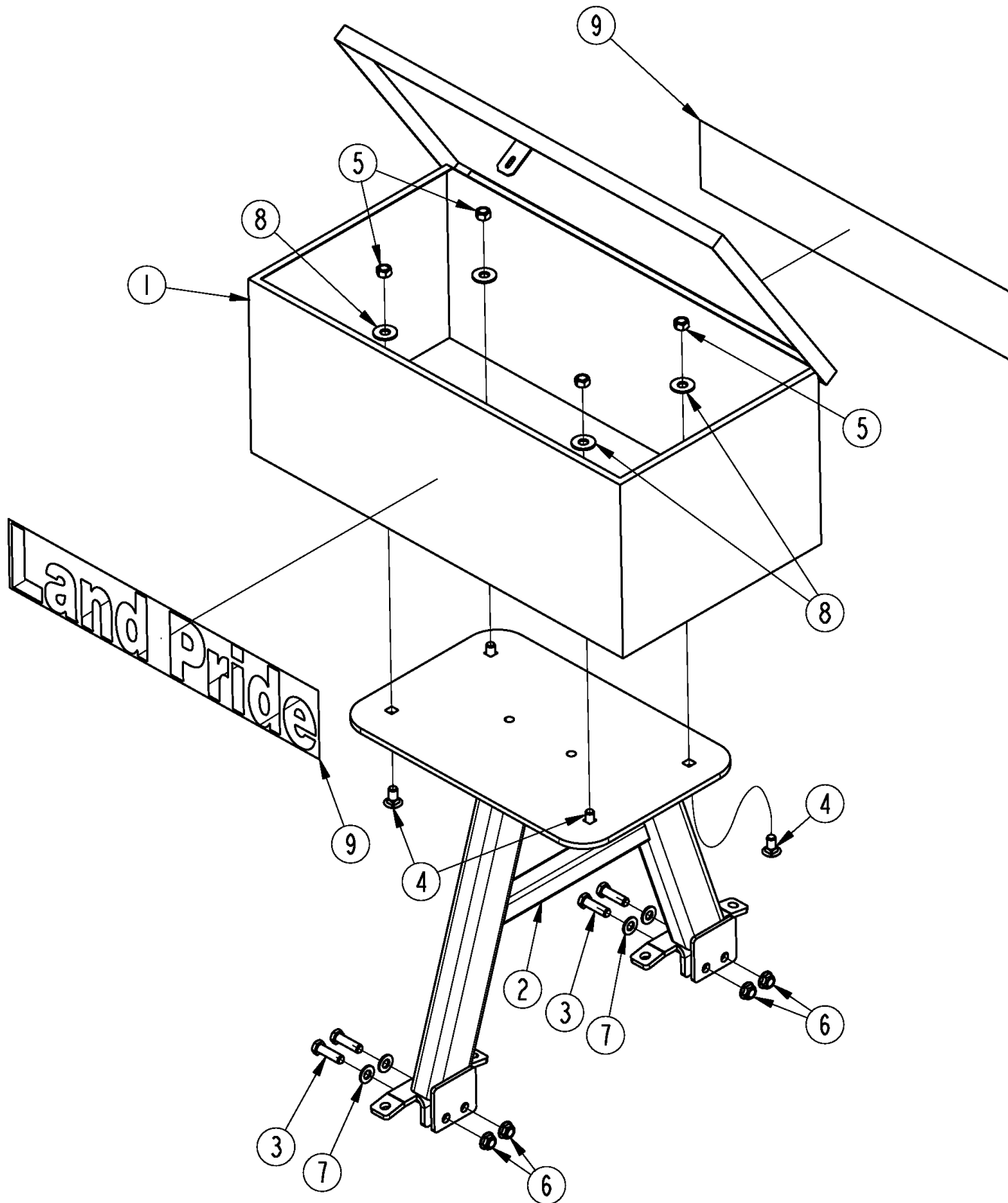
---

**Applies to RC5715, RCM5715**

<b>Ref</b>	<b>Part No.</b>	<b>Part Description</b>	<b>Comments</b>	<b>Revision</b>
	Dwg 37482 316-362S	Image No. SMV SIGN *	Contains 1, 2, 3, and 4	
1.	802-148C	HFSS 1/4-20X1/2 GR5		
2.	803-230C	NUT HEX FLANGE 1/4-20 PLT		
3.	818-055C	DECAL SLOW MOVING-GALV. BACKED		
4.	890-153C	SMV MOUNTING BLADE		

# Toolbox

Applies to RC5715, RCM5715



72428



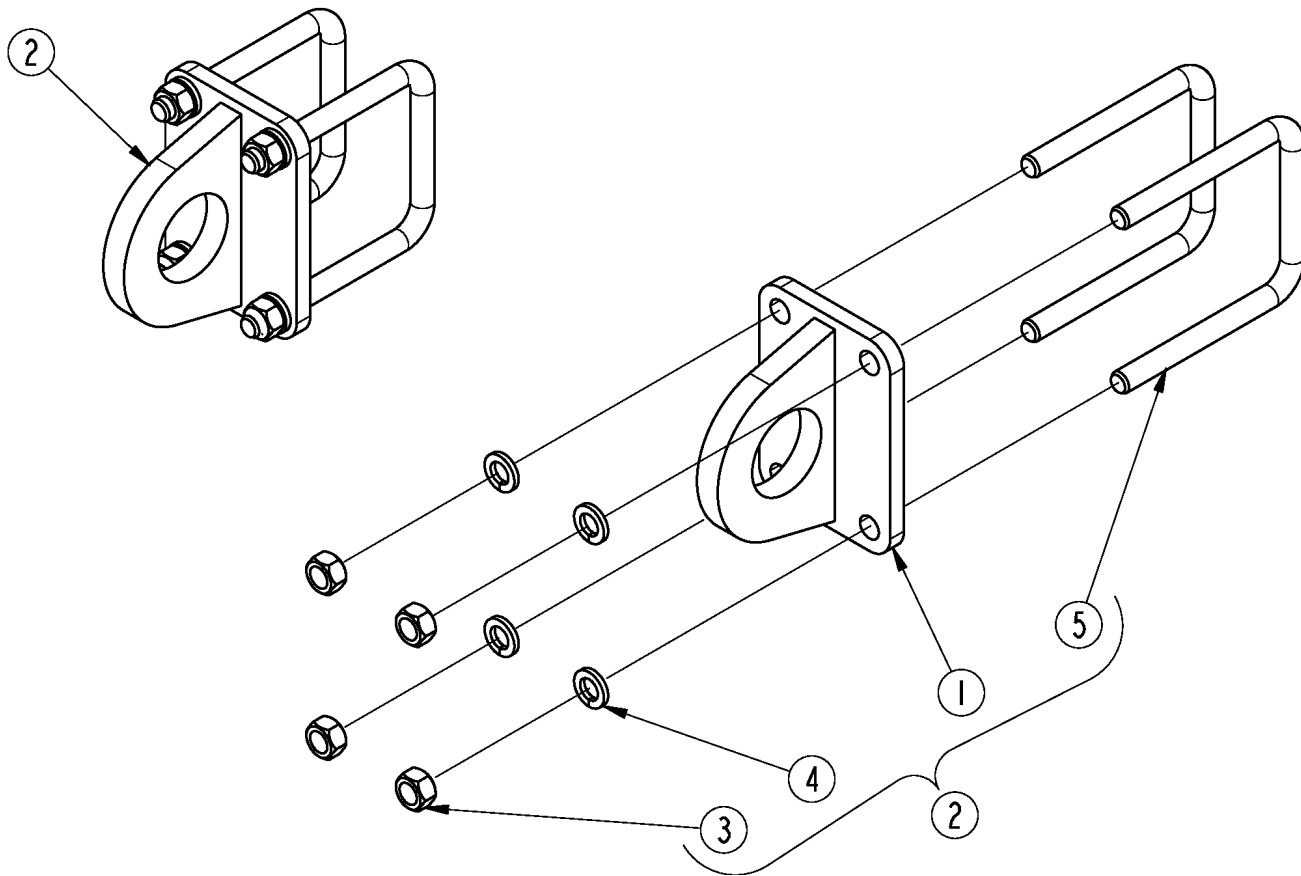
## ***Toolbox***

### **Applies to RC5715, RCM5715**

<b>Ref</b>	<b>Part No.</b>	<b>Part Description</b>	<b>Comments</b>	<b>Revision</b>
	Dwg 72428 334-017A	Image No. TOOLBOX *	Complete Assembly	
1.	330-881S	TOOLBOX WITH HOLES		
2.	334-016H	TOOLBOX PEDESTAL		
3.	802-082C	HHCS 1/2-13X1 3/4 GR5 FTHD		
4.	802-183C	RHSNB 1/2-13X1 GR5		
5.	803-019C	NUT LOCK 1/2-13 PLT		
6.	803-169C	NUT HEX FLG LOCK 1/2-13 PLT		
7.	804-016C	WASHER FLAT 1/2 SAE PLT		
8.	804-017C	WASHER FLAT 1/2 USS PLT		
9.	848-128C	DECAL LANDPRIDE 25-GOLD		

# Tow Lug Bundle

Applies to RC5715, RCM5715



74287

## **Tow Lug Bundle**

---

### **Applies to RC5715, RCM5715**

<b>Ref</b>	<b>Part No.</b>	<b>Part Description</b>	<b>Comments</b>	<b>Revision</b>
	Dwg 74287 331-188A	Image No. TOW LUG BUNDLE *	Contains 2 tow lugs	
1.	330-415H	TOW LUG		
2.	330-416S	TOW LUG ASSY		
3.	803-024C	NUT LOCK 5/8-11 PLT		
4.	804-022C	WASHER LOCK SPRING 5/8 PLT		
5.	806-213C	U-BOLT 5/8-11 X 4 17/32 X 6		



# Part Number Index

The Part Number Index is a numeric index of all part numbers included in this manual. The index shows what page(s) the part is used on.

Part Number	Page	Part Number	Page	Part Number	Page	Part Number	Page
* .....	7, 13, 21, 25, 27, 29, 31, 33, 37, 39, 69, 71, 73, 75, 77, 79, 81, 83, 85, 87, 89, 91, 93, 95, 97, 99, 101, 103, 119, 121, 123, 125, 127, 129, 131	151.018.016.1 .....	83	330-881S .....	129	331-985H81 .....	17
0.121.7101.00 .....	85, 87, 89, 91, 93, 95	151.018.228.1 .....	69, 81, 83	330-975H .....	27	331-985H82 .....	17
0.125.0542.00 .....	85, 87, 89, 91, 93, 95	151.018.241.1 .....	83	331-018D .....	45, 53	331-985H83 .....	17
0.125.2002.00 .....	85, 87, 89, 91, 93, 95	151.018.242.1 .....	83	331-022D .....	45, 53	331-985H86 .....	17
0.125.3019.00 .....	85, 87, 89, 91, 93, 95	155.150.724 .....	69	331-090D .....	23	331-990H .....	11
0.125.5008.00 .....	93, 95	159.280.168 .....	83	331-120H .....	17	331-990H81 .....	11
0.125.5010.00 .....	87, 89	165.000.548 .....	69, 81, 83	331-184H .....	45, 53	331-990H82 .....	11
0.125.5012.00 .....	85, 91	165.000.589 .....	69, 81, 83	331-187H .....	45, 53	331-990H83 .....	11
0.125.6008.00 .....	93, 95	170.016.630.1 .....	69	331-188A .....	131	331-990H86 .....	11
0.125.6010.00 .....	87, 89	174136 .....	103	331-203D .....	17	331-991H .....	11
0.125.6012.00 .....	85, 91	180.014.022 .....	69, 81, 83	331-204D .....	17	331-991H81 .....	11
0.125.7038.00 .....	85, 87, 89, 91, 93, 95	180.014.240 .....	81, 83	331-231D .....	17	331-991H82 .....	11
0.125.7113.00 .....	85, 87, 89, 91, 93, 95	180.016.780 .....	69, 81	331-234D .....	61, 65	331-991H83 .....	11
0.252.7510.00 .....	85, 87, 89, 91, 93, 95	180.018.251 .....	83	331-235D .....	61, 65	331-991H86 .....	11
0.252.7525.00 .....	85, 87, 89, 91, 93, 95	180.018.252 .....	83	331-236D .....	61, 65	331-992A .....	65, 67
0.285.7510.00 .....	85, 87, 89, 91, 93, 95	180.018.393 .....	83	331-237D .....	63, 67	331-993A .....	61, 63
0.305.0300.01 .....	97, 99	180.018.435 .....	83	331-238D .....	63, 67	334-014A .....	123
0.305.1300.00 .....	97, 99	180.018.581 .....	83	331-239D .....	63, 67	334-015H .....	123
0.305.2000.00 .....	97, 99	180.019.014 .....	69, 81, 83	331-374D .....	11	334-016H .....	129
0.305.3000.00 .....	97, 99	180.019.019 .....	69, 81, 83	331-507D .....	7	334-017A .....	129
0.709.7500.00 .....	97	180.019.115 .....	69, 81, 83	331-543D .....	33	334-046H .....	33
0.709.7520.00 .....	85, 87, 89, 91, 93, 95	180.019.116.1 .....	69, 81, 83	331-554H .....	15	334-054H .....	7
03-15316 .....	71, 73, 75, 77, 79	180.019.340 .....	69, 81, 83	331-555S .....	13, 15	334-062D .....	37
03-15570 .....	71, 73, 75, 77, 79	186561 .....	101	331-561H .....	23	334-069D .....	11
1.125.7101.00 .....	85, 87, 89, 91, 93, 95	186562 .....	103	331-614D .....	105	334-096D .....	15
11-14988 .....	71, 75, 79	19-15121 .....	73, 77	331-670D .....	23	334-111D .....	23
11-15180 .....	71, 75, 79	19-15135 .....	71, 75, 79	331-671D .....	23	334-115D .....	41, 43, 45, 47
123.386.190.01 .....	83	190.000.016 .....	69	331-688H .....	11	334-150D .....	15
123.486.343.01 .....	83	190.000.032 .....	69	331-699H .....	17	334-231S .....	21
13-10021 .....	73, 77	190.000.035 .....	83	331-703D .....	17	334-237K .....	17
13-10022 .....	73, 77	190.000.047 .....	69, 83	331-707H .....	51	334-237K81 .....	17
13-15249 .....	73	190.000.098 .....	81, 83	331-709H .....	41, 45, 47	334-237K82 .....	17
13-15256 .....	77	190.000.099 .....	81, 83	331-725H .....	51	334-237K83 .....	18
130560 .....	101, 103	190.000.243 .....	83	331-727K .....	65	334-237K86 .....	18
134953 .....	103, 105, 107, 109, 111, 113	190.000.271 .....	83	331-728K .....	65	334-238K .....	18
135995 .....	103, 105, 107, 109, 111, 113	190.000.903 .....	81	331-729K .....	65	334-238K81 .....	18
141.026.357.1 .....	69, 81	190.000.932 .....	83	331-730D .....	23	334-238K82 .....	18
141.028.195.1 .....	83	2.125.5000.00 .....	93, 95	331-730K .....	67	334-238K83 .....	18
142.260.5197621 .....	81	2.125.5002.00 .....	87, 89	331-731K .....	67	334-238K86 .....	18
142.283.2509821 .....	83	2.125.5004.00 .....	85, 91	331-734K .....	67	334-337S .....	9
142.286.2519821 .....	83	258821 .....	101	331-735D .....	105	334-338S .....	9
142.287.2199821 .....	83	258827 .....	103	331-735K .....	67	334-339S .....	9
146.264.024.1 .....	69, 81	26-13387 .....	79	331-736K .....	61	334-340H .....	9
146.284.020.1 .....	83	26-15120 .....	71, 73, 75, 77	331-737K .....	61	334-341H .....	9
148000 .....	103	26-16033 .....	71, 73, 75, 77, 79	331-738K .....	61	334-347H .....	11
150.281.5197810 .....	83	292019 .....	103	331-739K .....	63	334-347H81 .....	11
151.016.037.1 .....	69, 81	292615 .....	103	331-740K .....	63	334-347H82 .....	11
151.016.896.1 .....	69	316-362S .....	127	331-741K .....	63	334-347H83 .....	11
		318-005H .....	29	331-742K .....	63	334-347H86 .....	11
		318-006H .....	29, 31	331-761H .....	53	334-358H .....	17
		318-053L .....	29, 31	331-771H .....	53	334-358H81 .....	17
		318-143D .....	61, 65	331-893D .....	43, 47, 51, 55	334-358H82 .....	17
		318-309D .....	9	331-958D .....	49, 51, 53, 55	334-358H83 .....	17
		318-337D .....	61, 65	331-974D .....	15	334-358H86 .....	17
		318-477D .....	61, 65	331-982H .....	17	334-359H .....	17
		318-555S .....	31	331-982H81 .....	17	334-359H81 .....	17
		318-556H .....	31	331-982H82 .....	17	334-359H82 .....	17
		318-586A .....	7	331-982H83 .....	17	334-359H83 .....	17
		318-641D .....	63, 67	331-982H86 .....	17	334-359H86 .....	17
		318-695L .....	17	331-983H .....	17	334-458H .....	23
		318-696H .....	17	331-983H81 .....	17	334-459A .....	29
		318-920S .....	11, 39	331-983H82 .....	17	334-460A .....	27
		326-535D .....	63, 67	331-983H83 .....	17	334-461A .....	31
		326-593M .....	119	331-983H86 .....	17	334-462A .....	25
		326-597A .....	119	331-984H .....	17	334-471A .....	33
		330-415H .....	131	331-984H81 .....	17	334-472H .....	27, 33
		330-416S .....	131	331-984H82 .....	17	334-473H .....	29, 31
		330-563D .....	27	331-984H83 .....	17	334-474H .....	25
		330-564D .....	27	331-984H86 .....	17	334-477H .....	27
		330-787D .....	45, 53	331-985H .....	17	334-480H .....	27

## Table of Contents    Part Number Index



## Part Number Index (continued)

Part Number	Page	Part Number	Page	Part Number	Page	Part Number	Page
334-482H	33	802-015C	17, 23	804-009C	13, 21	8123.360.504.11	81
334-486H	43	802-022C	17	804-010C	13, 21	8123.460.106411	81
334-495H	47, 55	802-023C	123	804-011C	23, 123	814-265C	59
334-500H	55	802-053C	11, 17, 25, 27, 29, 31, 33	804-013C	17, 23, 33, 123	814-288C	59
334-501H	51	802-057C	13	804-015C	23	814-449C	59
334-508H	55	802-060C	11	804-016C	7, 41, 45, 47, 53, 123, 129	814-478C	59
334-516H	49	802-065C	7, 13, 21	804-017C	11, 23, 129	814-480C	59
334-517H	49	802-070C	27	804-021C	17, 105	814-673C	59
334-525H	7	802-079C	33, 63, 67	804-022C	17, 131	815-565C	57
334-571L	35	802-082C	41, 45, 47, 123, 129	804-025C	27, 29, 31, 49, 51, 53, 55	816-481C	39
334-572H	35	802-091C	11, 23	804-027C	23	816-791C	45, 53
334-616V	41, 43, 45, 47, 49, 51, 53, 55, 57	802-096C	23	804-028C	23, 27	816-835C	57
334-729H	41, 45, 47	802-099C	57	804-029C	35, 41, 45, 47, 107, 109, 111, 113	816-966C	57
334-746H	13	802-106C	23, 37, 45, 53	804-030C	35	817-875C	49, 51, 53, 55
334-754A	125	802-148C	127	804-034C	15	817-936C	15
334-927A	121	802-183C	129	804-071C	23, 41, 43, 45, 47, 51, 55	818-055C	127
334-950A	37	802-205C	27	804-147C	7	818-130C	115
334-951V	13, 15	802-214C	17, 61, 63, 65, 67	804-229C	27, 33	818-142C	115
337-017S	23	802-250C	7	804-297C	105	818-229C	115
337-023H	43	802-277C	7	804-309C	57	818-230C	115
337-026H	45	802-282C	41, 43, 45, 47	805-045C	29, 31	818-240C	115
337-030H	47	802-301C	15	805-083C	29, 31	818-540C	115
337-031H	41	802-466C	17	805-104C	35, 107, 109, 111, 113	818-552C	115
39-10039	73, 77	802-538C	35	805-105C	35	8180.016.237	81
491742	101	802-729C	31	805-115C	27, 33, 45, 53	8180.016.238	81
491798	103	802-747C	23	805-374C	35	82-26654	73, 77
492282	101	802-779C	57	805-493C	107, 109, 111, 113	820-217C	9
492652	101, 103	802-843C	15	805-562C	17	820-478C	7
492700	103	802-915C	35	805-577C	49, 51, 53, 55	820-479C	7
492721	101	802-967C	13	805-612C	23, 41, 43, 45, 47, 51, 55	820-480C	7
492870	101	803-006C	23	806-213C	131	820-544C	7
494383	101	803-013C	123	806-300C	23	820-720C	7, 9
499038	103	803-014C	17, 23	807-073C	11, 23	820-721C	7
55051-1817	71, 75, 79	803-019C	45, 53, 57, 129	807-390C	41, 43, 45, 47, 51	820-722C	7, 9
649216	103	803-020C	23, 101	810-312C	101, 107, 109, 111, 113	820-723C	7
68810-1003	71, 73	803-021C	17	810-887C	101	820-724C	7
68810-1004	75, 77	803-022C	103	811-063C	121	820-725C	7
68810-1005	79	803-024C	105, 131	811-238C	109	820-726C	7
8.0.9.00143	85, 87, 89, 91, 93, 95, 97, 99	803-025C	49, 51, 53, 55	811-312C	107, 113	820-727C	7
8.1.1.00109	97, 99	803-031C	23	811-337C	107, 109, 111, 113	821-011C	117
8.1.1.00501	85, 87, 89, 91, 93, 95	803-032C	35	811-542C	107, 113	821-011CGL	117
8.4.7.01350	85, 87, 89, 91, 93, 95	803-037C	11, 17, 23, 37, 61, 63, 65, 67	811-581C	125	821-011CQT	117
8.4.7.02265	85, 87, 89, 91, 93, 95	803-043C	41, 43, 45, 47	811-690C	105	821-011CTU	117
8.5.2.00332	85, 87, 89, 91, 93, 95	803-084C	35	811-786C	105	821-054C	117
8.5.2.01772	97, 99	803-111C	23, 41, 43, 45, 47, 51, 55	811-826C	105	821-054CGL	117
8.6.4.02647	85, 87, 89, 91, 93, 95	803-168C	9, 23, 27, 35	811-827C	107, 109, 111, 113	821-058C	117
8.6.6.00201	97, 99	803-169C	41, 45, 47, 123, 129	811-881C	121	821-058CGL	117
8.6.6.01623	85, 87, 89, 91, 93, 95	803-170C	7	811-913C	121	821-058CQT	117
8.6.6.02856	85, 87, 89, 91, 93, 95	803-181C	7, 27	811-914C	107, 109	821-058CTU	117
8.6.6.02901	85, 87, 89, 91, 93, 95	803-198C	17	811-917C	109	821-066C	117
8.7.3.00331	97, 99	803-201C	33	811-918C	109, 111	821-066CGL	117
800-001C	11, 17, 27, 33, 35, 57	803-209C	23, 63, 67	811-919C	105, 107, 109, 111, 113, 121	821-066CQT	117
800-117C	111, 113	803-230C	127	812-554C	105	821-067C	117
800-238C	37	803-255C	15, 23, 37, 39	812-555C	105	821-067CGL	117
800-306C	105	803-258C	27, 29, 31, 33	812-556C	105	821-067CQT	117
801-023C	101	803-263C	11, 13	812-574C	57	821-067CTU	117
801-070C	57	803-299C	13, 21	812-578C	57	821-070C	117
801-248C	15	803-304C	25, 27, 29, 31, 33			821-070CGL	117
802-004C	23, 37	803-310C	57			821-070CTU	117
802-005C	39	803-316C	35, 41, 45, 47			821-080C	117
		803-339C	27, 33, 45, 53			821-080CGL	117
		803-342C	7			821-080CQT	117
		803-410C	35			821-080CTU	117
		803-496C	57			822-033C	57
		804-006C	15, 23, 57			822-034C	57
		804-007C	23, 39			822-344C	57
						822-345C	57



# Part Number Index (continued)

Part Number	Page	Part Number	Page	Part Number	Page
826-520C	13, 99	858-956C	115	Dwg 70912	61
826-521C	13, 97	858-966C	115	Dwg 70913	63
826-643C	13, 75	890-153C	127	Dwg 70947	73, 77
826-644C	13, 71	890-175C	67	Dwg 72335	121
826-645C	13, 79	890-182C	23	Dwg 72409	97
826-793C	13, 73	890-341C	65, 67	Dwg 72418	99
826-811C	21, 81	890-401C	41, 43, 45, 47	Dwg 72426	123
826-812C	21, 83	890-671C	123	Dwg 72428	129
826-818C	13, 69	890-672C	119	Dwg 72432	119
826-829C	13, 85	890-679C	123	Dwg 72694	15
826-830C	21, 87	890-680C	123	Dwg 72699	37
826-831C	21, 89	890-806C	31	Dwg 74122	23
826-832C	13, 21	890-850C	33	Dwg 74155	7
826-833C	13, 21, 93, 95	890-862C	27	Dwg 74167	9
826-848C	13, 97, 99	890-974C	35	Dwg 74171	11
826-871C	13, 91	891-208C	63	Dwg 74178	13
826-884C	13, 77	891-212C	61, 63, 67	Dwg 74184	17
826-959C	21, 85, 87, 89, 91, 93, 95	891-485C	15	Dwg 74194	21
		891-487C	15	Dwg 74196	29
827-158C	41, 45, 47	891-524C	23	Dwg 74198	31
827-185C	41, 43, 45, 47, 51, 55	891-964C	15	Dwg 74200	35
		90-24406	75	Dwg 74201	41
83-26656	73, 77	90-26654	73	Dwg 74206	43
833-492C	23	90-26656	77	Dwg 74210	45
836-064C	15	9020.345.010	85, 87, 89, 91, 93, 95	Dwg 74213	47
837-001C	45, 53			Dwg 74215	49
837-066C	13, 21	9020.535.050	85, 87, 89, 91, 93, 95	Dwg 74216	51
837-079C	13			Dwg 74217	55
838-374C	119	91-25023	71	Dwg 74218	53
838-412C	119	9110.409.050	85, 87, 89, 91, 93, 95	Dwg 74222	57
838-614C	115			Dwg 74234	85
838-615C	115	9110.565.102	85, 87, 89, 91, 93, 95	Dwg 74260	91
840-273C	11, 17			Dwg 74269	87
841-204C	125	92-24406	71, 75	Dwg 74270	89
841-282C	107	92-25075	79	Dwg 74282	93
841-283C	107, 113	93-24406	75, 77	Dwg 74283	95
842-243C	21	93-25023	71, 73	Dwg 74287	131
842-344C	9	93-25075	79	Dwg 74289	103
842-414C	29, 31	94-26654	73, 77	Dwg 74291	105
842-416C	35	96-24406	71, 75	Dwg 74294	107
842-460C	27, 33	96-25075	79	Dwg 74295	109
842-486C	105	97-24406	75	Dwg 74299	111
842-492C	45, 53	97-25023	71	Dwg 74300	113
842-505C	13	97-25075	79	Dwg 74301	115
843-159C	37	98-24406	71, 75	N/A	17, 83, 101
843-208C	37	98-25075	79	NA	103
843-209C	37	98-26654	73, 77	U0.125.1303.00	85, 87, 89, 91, 93, 95
843-210C	37	99-24406	71, 73, 75, 77, 79	U0.125.7100.00	85, 87, 89, 91, 93, 95
843-211C	37	990-208R	119		
843-212C	37	A.305.500	99		
844-073C	115	A.305.501	97		
844-074C	115	A.709.500	85, 87, 89, 91, 93, 95, 99		
848-122C	115				
848-128C	129	A.712.500	85, 87, 89, 91, 93, 95		
848-465C	115				
848-872C	115	Dwg 25902	101		
850-218C	103, 105	Dwg 26568	25		
851-167C	109, 111	Dwg 37482	127		
851-300C	125	Dwg 37510	69		
858-108C	115	Dwg 37911	71		
858-381C	115	Dwg 37912	79		
858-439C	115	Dwg 37916	75		
858-440C	115	Dwg 37917	81		
858-917C	115	Dwg 37918	83		
858-918C	115	Dwg 39163	39		
858-947C	115	Dwg 70628	27		
858-948C	115	Dwg 70632	59		
858-949C	115	Dwg 70700	125		
858-950C	115	Dwg 70718	33		
858-951C	115	Dwg 70910	65		
858-954C	115	Dwg 70911	67		

***This Page Intentionally Left Blank***



Great Plains Manufacturing, Inc.

Corporate Office: P.O. Box 5060  
Salina, Kansas 67402-5060 USA

[www.landpride.com](http://www.landpride.com)

---