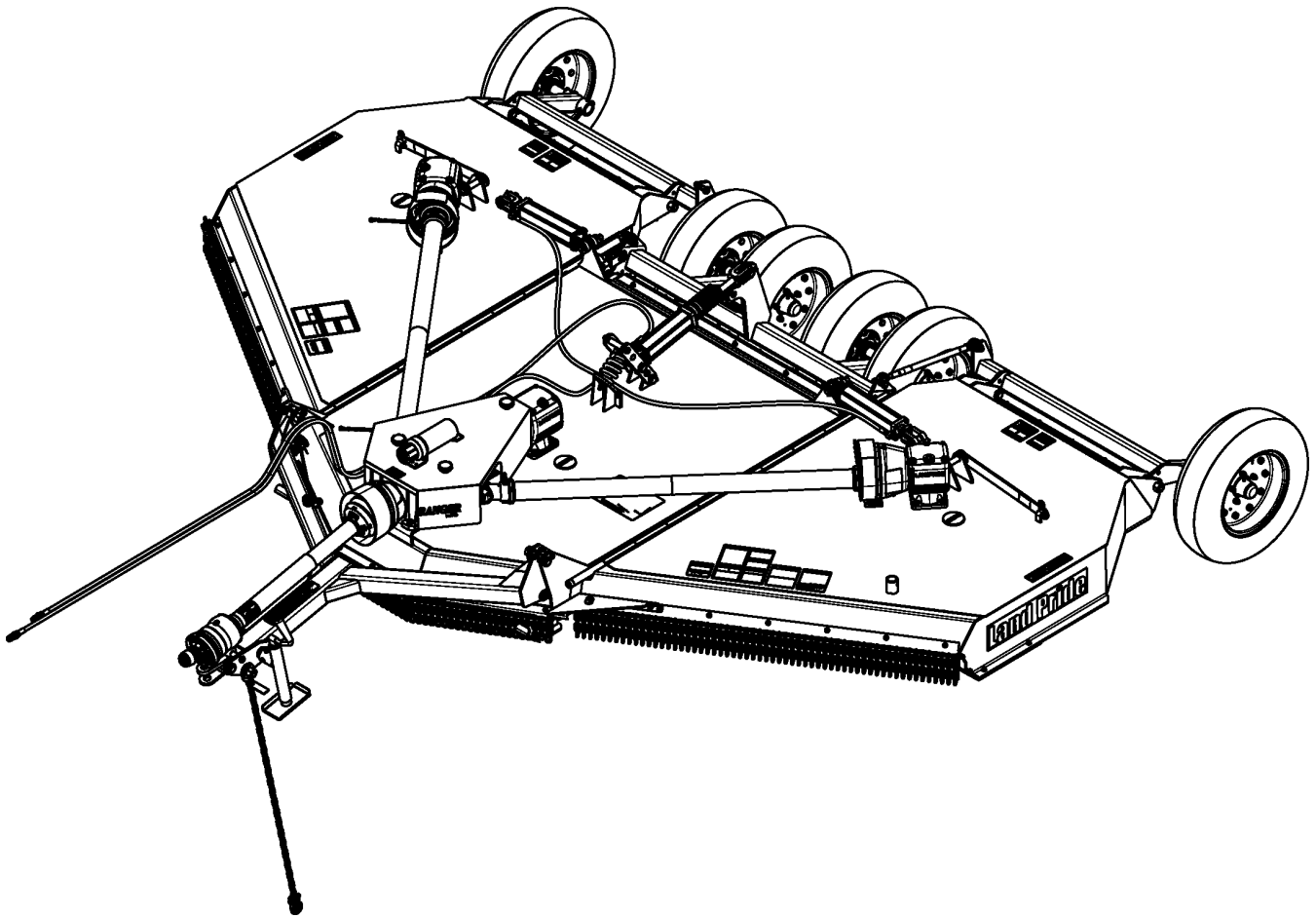


Rotary Cutters

RC2515



35117

331-101P Parts Manual



Read the Operator's Manual entirely. When you see this symbol, the subsequent instructions and warnings are serious - follow without exception. Your life and the lives of others depend on it!

© Copyright 2020 Printed 04/16/20

Cover photo may show optional equipment not supplied with standard unit.





Table of Contents

Section 1: Introduction.....4
 Using This Manual.....4
 Manual Replacement Information.....4
 Manual Revisions.....4
 Touch-up Paint.....4
 Hardware Legend.....5
 Replacement Hardware.....5
 Serial Numbers.....5
 Part Number Service Coding.....5

Section 2: Decks & Hitch.....6
 Blade Carrier.....6
 Deck Center Section.....8
 Deck Wing Section.....10
 Hitch Main Frame.....12
 Leveling Rod & Wing Turnbuckle.....14
 Lights 2.5 Inch (LED).....16

Section 3: Axles.....18
 Axle Center.....18
 Axle Wing.....20
 Hub & Spindle Assembly (331-795L).....22
 Hub Assembly (330-938K).....24

Section 4: Guards.....26
 Guards Chain Single Row Front.....26
 Guards Chain Single Row Rear.....28
 Guards Rubber Front.....30
 Guards Rubber Rear.....32

Section 5: Drivelines (540 RPM).....34
 Driveline Center W/ Clutch (826-821C) Comer.....34
 Driveline CV (826-683C) Weasler.....36
 Driveline Intermediate (826-769C) Comer.....38
 Driveline Wing (826-770C) Comer.....40
 Driveline Wing W/ Clutch (826-822C) Comer.....42

Section 6: Gearboxes (540 RPM).....44
 Gearbox (826-280C) Comer.....44
 Gearbox (826-280C) SD Engineering.....46
 Gearbox (826-764C).....48
 Gearbox (826-765C).....50

Section 7: Hydraulics.....52
 Hydraulic Cylinder (810-865C).....52
 Hydraulic Cylinder (810-908C).....54
 Hydraulic Cylinder Mounting & Wing Lock.....56
 Hydraulic Lift Plumbing Dual Remote.....58

Section 8: Decals.....60
 Decal Placement.....60
 Touch-up Paints - LP.....62

Section 9: Options.....64
 Lights 2.5 Inch (LED).....64
 Tire Options.....66

Part Number Index.....68

© Copyright 2020. All rights reserved.

Land Pride provides this publication “as is” without warranty of any kind, either expressed or implied. While every precaution has been taken in the preparation of this manual, Land Pride assumes no responsibility for errors or omissions. Neither is any liability assumed for damages resulting from the use of the information contained herein. Land Pride reserves the right to revise and improve its products as it sees fit. This publication describes the state of this product at the time of its publication, and may not reflect the product in the future. The illustrations in this manual are not intended for safe and proper assembly or disassembly of equipment. The illustrations are intended for ordering parts only.

Land Pride is registered trademark.

All other brands and product names are trademarks or registered trademarks of their respective holders.

Printed in the United States of America.



Alphabetized Table of Contents

A	
Axle Center.....	18
Axle Wing.....	20
B	
Blade Carrier.....	6
D	
Decal Placement.....	60
Deck Center Section.....	8
Deck Wing Section.....	10
Driveline Center W/ Clutch (826-821C) Comer.....	34
Driveline CV (826-683C) Weasler.....	36
Driveline Intermediate (826-769C) Comer.....	38
Driveline Wing (826-770C) Comer.....	40
Driveline Wing W/ Clutch (826-822C) Comer.....	42
G	
Gearbox (826-280C) Comer.....	44
Gearbox (826-280C) SD Engineering.....	46
Gearbox (826-764C).....	48
Gearbox (826-765C).....	50
Guards Chain Single Row Front.....	26
Guards Chain Single Row Rear.....	28
Guards Rubber Front.....	30
Guards Rubber Rear.....	32
H	
Hitch Main Frame.....	12
Hub & Spindle Assembly (331-795L).....	22
Hub Assembly (330-938K).....	24
Hydraulic Cylinder (810-865C).....	52
Hydraulic Cylinder (810-908C).....	54
Hydraulic Cylinder Mounting & Wing Lock.....	56
Hydraulic Lift Plumbing Dual Remote.....	58
L	
Leveling Rod & Wing Turnbuckle.....	14
Lights 2.5 Inch (LED).....	16
Lights 2.5 Inch (LED).....	64
T	
Tire Options.....	66
Touch-up Paints - LP.....	62

General Information

Using This Manual

This manual is divided into sections. The first section contains General Information. The remaining sections divide the machine into segments (i.e. Frames, Drives, Hydraulics, etc.) which illustrate and list all parts. A Parts Number Index is located at the back of the book.

The Land Pride parts in this manual are specially designed for this machine and should be replaced with Land Pride parts only.

The information in this manual is current at time of printing. Some parts may change to assure top performance.

Right-hand and left-hand as used in this manual are determined by facing the direction the machine will travel while in use.

Below is an example of two facing pages from a parts manual. Familiarize yourself with the type of information contained on these pages.

Manual Replacement Information

Replacement manuals are available. Refer to our website at www.landpride.com or e-mail us at lit@landpride.com for additional information. Our website continues to provide the most up-to-date manuals available.

Touch-up Paint

Repaint parts where paint is worn or scratched to prevent rust. Aerosol cans and touch-up bottles with brush applicator are available through your local dealer. Also available are quart and gallon size paints. Add QT or GL to end of the Aerosol P/N.

Land Pride color descriptions and part numbers are listed on the "Land Pride Touch-up Paints" page in the "Decals" section of this book. Color options vary by product.



General Information

Hardware Legend

AR	As Required
BLADE	Blade Bolt
C	Cap Screw
CP	Cotter Pin
CPHSSS	Cup Point Hex Socket Set Screw
CPSHSS	Cup Point Square Head Set Screw
CPSQHSS	Cup Point Square Head Set Screw
CRFCHMS3	Cross Recess Flat Countersunk Head Machine Screw
CRPHMS	Cross Recess Pan Head Machine Screw
CRPHTF	Cross Recess Pan Head Thread Forming
CRRHMS	Cross Recess Round Head Machine Screw
CRTHMS	Cross Recess Truss Head Machine Screw
CSNB	Countersunk Square Neck Bolt
FHMS	Flat Head Machine Screw
FTC	Full Thread Cap Screw
H	Hex Nut
HCLN	Hex Center Lock Nut
HFLCS	Hex Flange Lock Cap Screw
HFS	Hex Flange Screw
HFSLN	Hex Flange Serrated Lock Nut
HFSS	Hex Flange Serrated Screw
HHCS	Hex Head Cap Screw or Metric Bolt
HSBHCS	Hex Socket Button Head Cap Screw
HSFCHCS	Hex Socket Flat Countersunk Head Cap Screw
HSHCS	Hex Socket Head Cap Screw
HSSS	Hex Socket Head Screw
HTLN	Hex Top Lock Nut
HWHCS	Hex Washer Head Cap Screw

HWHMS	Hex Washer Head Machine Screw
HXBHCS	Hex Socket Button Head Cap Screw
J	Hex Jam Nut
JIC	37 Degree Tapered Thread
L	Helical Spring Lock Washer
LUG	Lug Bolt
NFC	National Fine Cap Screw
NPSM	National Pipe Straight Mechanical
NPTF	National Pipe Taper Fuel
P	Wide Plain Washer
PHMS	Pan Head Machine Screw
PLOW	Plow Bolt
RHMS	Round Head Machine Screw
RHSNB	Round Head Square Neck Bolt
SCREW LEVELING	Leveling Screw
SCREW THUMB	Thumb Screw
SCREW WELD	Weld Screw
SFCHMS	Slotted Flat Countersunk Head Machine Screw
SFHMS	Slotted Fillister Head Machine Screw
SP	Special
SP SCREW	Special Screw
SQHSS	Square Head Set Screw
SRHMS	Slotted Round Head Machine Screw
SSS	Socket Set Screw
STCS	Self Tapping Cap Screw
STHMS	Slotted Truss Head Machine Screw
WHEEL	Wheel Studs and Hub Long Bolts
WING	Wing Bolt

Replacement Hardware

The **Hardware Legend** above lists hardware abbreviations used in the parts list. All bolts and nuts are Grade 5 unless otherwise noted. The use of improper grades of hardware can result in personal injury, damage to equipment, or loss of property.

Colored Replacement Parts

Land Pride offers replacement parts in factory standard colors and also on select models in Green, Orange, Red and Blue. Because of the variety of colors available, special attention must be given to the part number to prevent ordering the wrong replacement part.

A suffix number corresponding to one of the colors below must be added at the end of Land Pride's part number when ordering a replacement part with that color.

81 Green 83 Red
82 Orange 84 Blue

For example, if you are ordering a replacement part with part number 555-555C and the part you need is red, then add the suffix 83 to the end of the number to make the part number read 555-555C83. Parts ordered without a suffix number will be supplied in factory standard colors.

Black Replacement Parts

Some parts are factory standard black and some must be special ordered black. If your part is special ordered black, a second part number with the additional suffix number 85 on the end will be available. In this situation you must order that part with the suffix number for it to be black. Parts that are factory standard black will not have the suffix number.

Part Number Service Coding

Within the parts list some part numbers are coded for revisions and interchangeability. See notations in revision column.

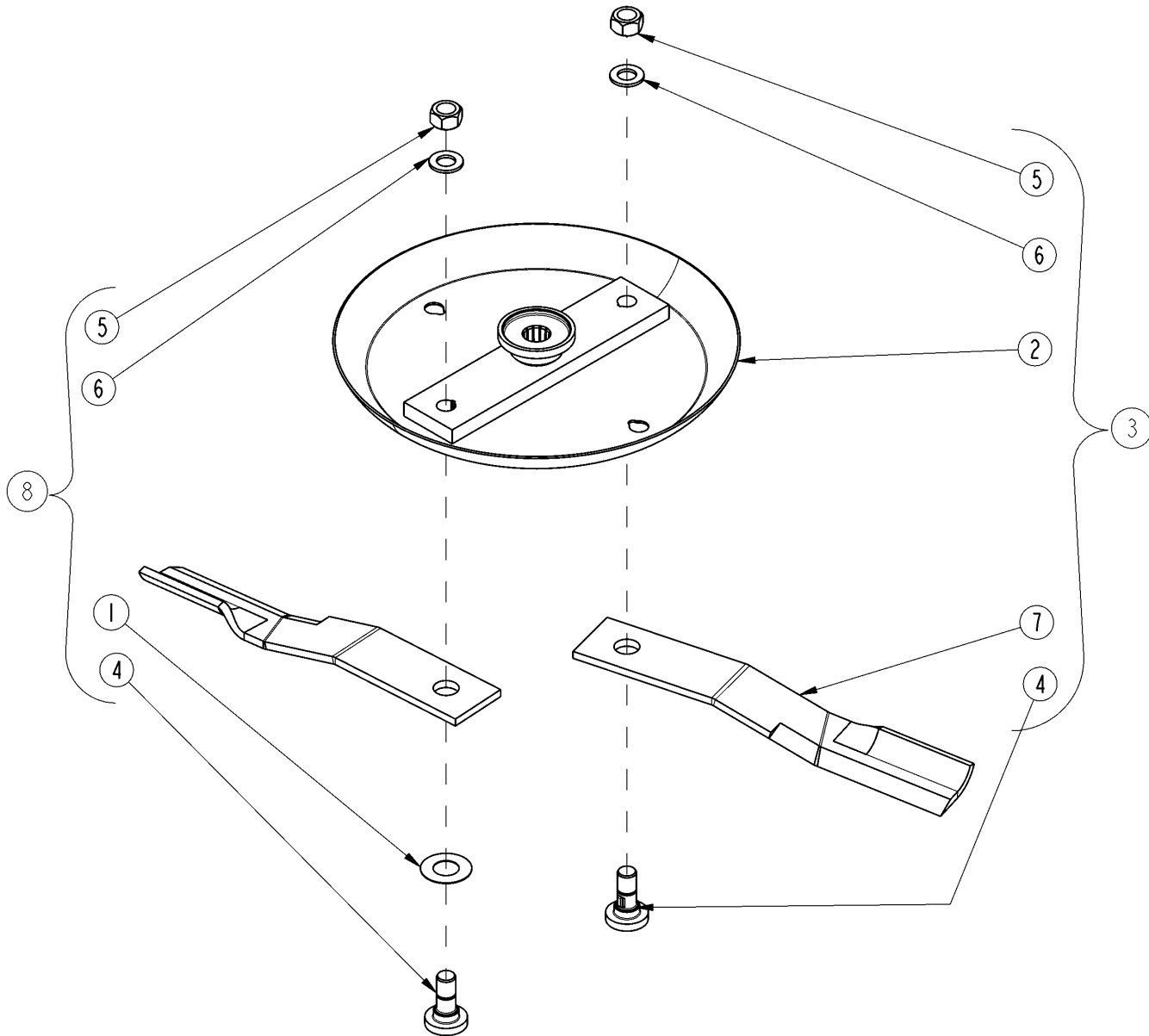
Serial Numbers

Always use the serial and model number when ordering parts. Refer to the Operator's Manual for serial number plate location.

- (S/N 20001+) Includes serial numbers 20001 and above (to the latest number)
- (S/N 10001 to 20000) Includes serial numbers between and including 10001 and 20000
- (S/N 10000-) Includes serial numbers 10000 and below (to the earliest number)

Blade Carrier

Applies to RC2515



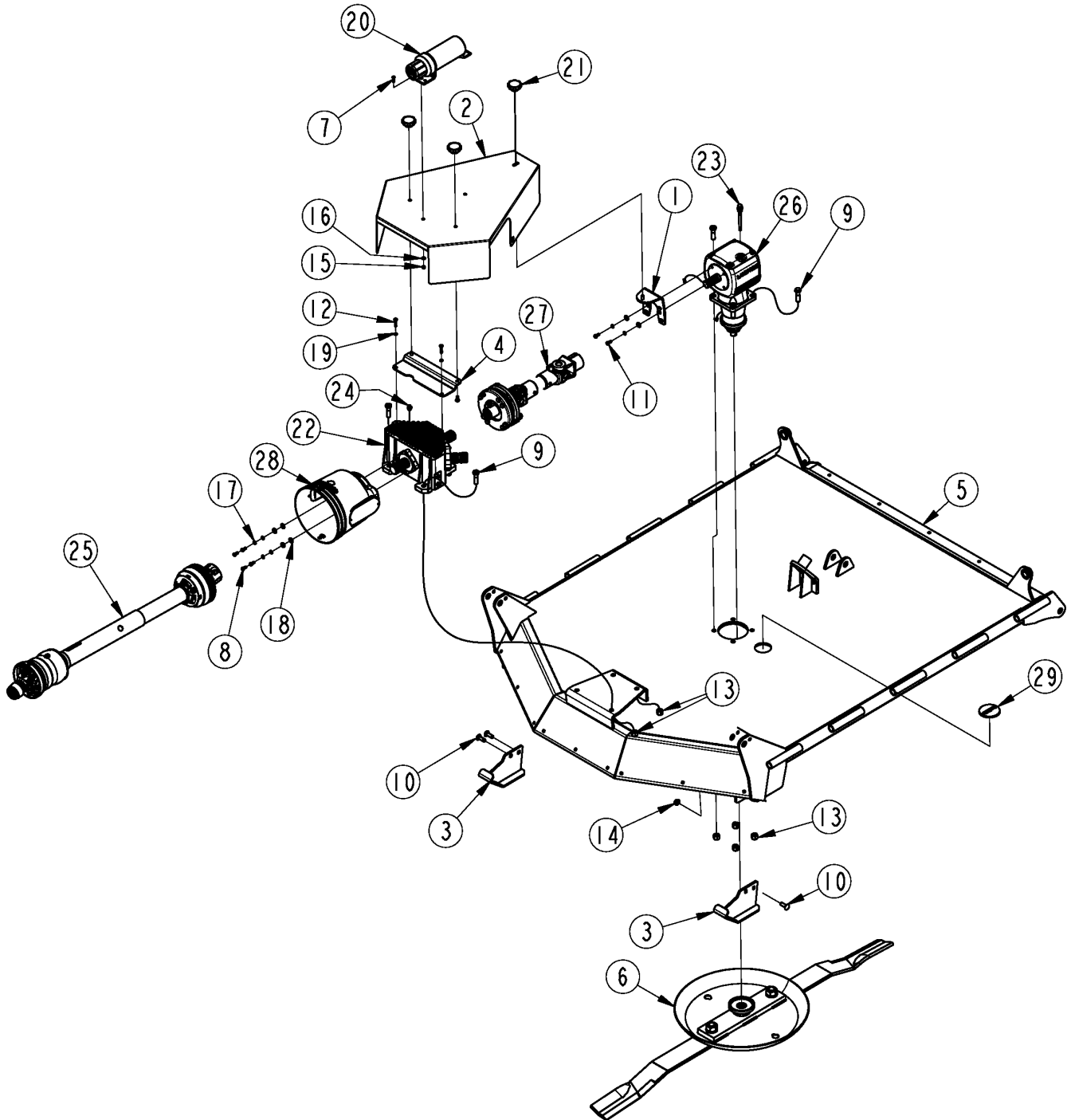
35118

Blade Carrier**Applies to RC2515**

Ref	Part No.	Part Description	Comments	Revision
	Dwg 35118	Drawing Image Number		
1.	312-082D	RPBY 312-808D QTY 2		
1.	312-075D	BLADE SPACER 16 GA. .064 Thick		
1.	312-089D	BLADE SPACER 20 GA. .04 Thick		
1.	312-808D	BLADE SPACER 24 GA. .03 Thick		
2.	331-068H	DISHPAN 15 CENTERS W/HUB		
3.	N/A	DISHPAN/BLADE ASY		
4.	802-277C	BLD BLT 1 1/8-12X3.44 W/.25KEY		
5.	803-170C	NUT HEX TOP LOCK 1 1/8-12 PLT.		
6.	804-147C	WASHER FLAT 1" HARDENED		
7.	820-112C	CUTTER BLADE 1/2 X 4 X 25 CW	LH Deck	
7.	820-137C	CUTTER BLADE 1/2 X 4 X 25 CCW	RH Deck	
7.	820-138C	CUTTER BLADE 1/2 X 4 X 31 CCW	Center Deck	
8.	318-586A	BLADE BOLT KIT	Service Kit	

Deck Center Section

Applies to RC2515



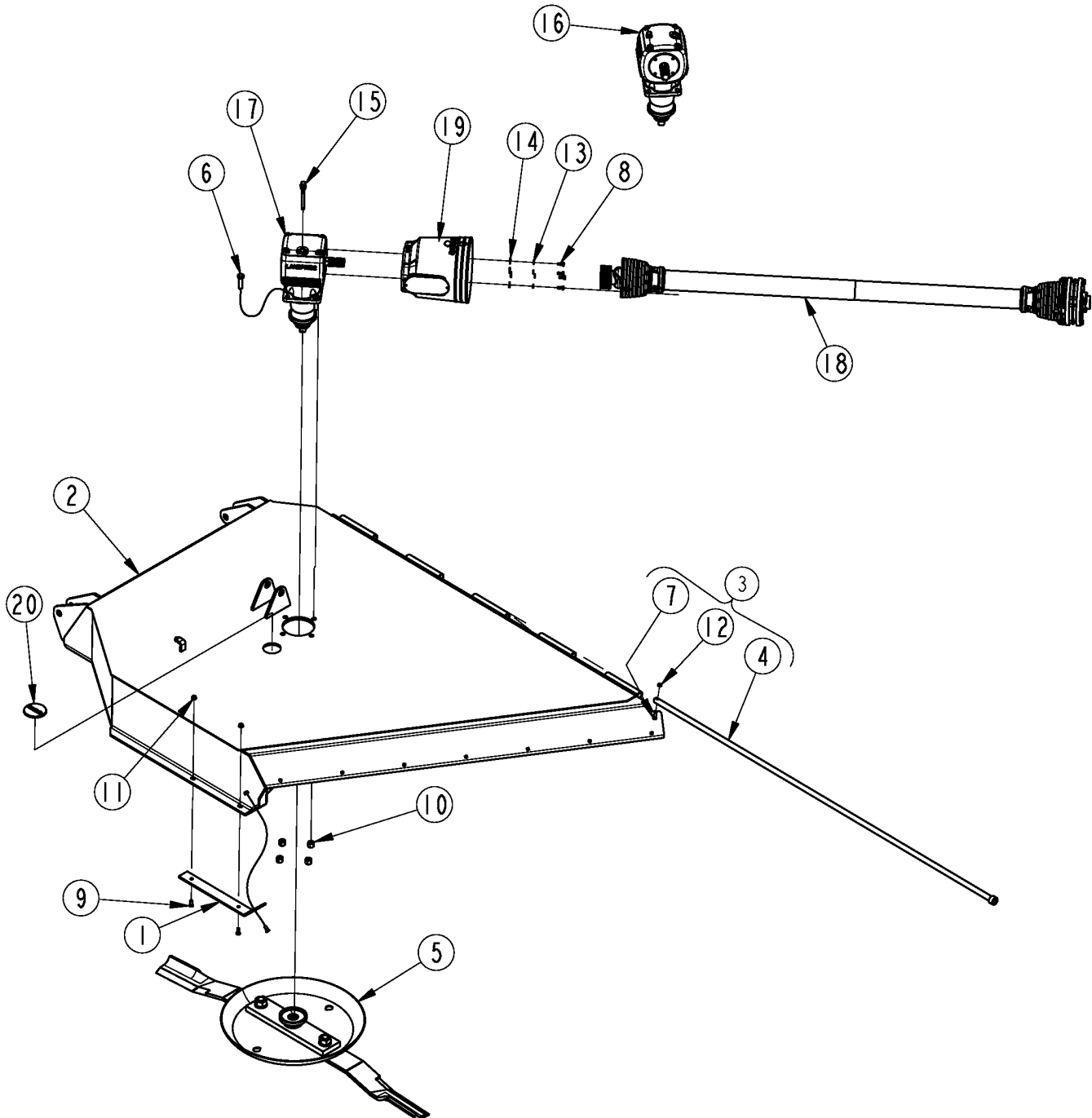
35141

Deck Center Section**Applies to RC2515**

Ref	Part No.	Part Description	Comments	Revision
	Dwg 35141	Drawing Image Number		
1.	318-401H	SHIELD BRACKET WELDMENT		
2.	330-599D	GUARD, SPLITTER		
3.	330-697H	SKID SHOE		
4.	330-778H	BRACKET, SPLITTER SHIELD		
5.	330-984H	DECK CENTER		
5.	330-984H81	DECK CENTER GREEN	Green	
5.	330-984H82	DECK CENTER ORANGE	Orange	
5.	330-984H83	DECK CENTER RED	Red	
6.		SEE BLADE CARRIER FOR COMPONENTS		
7.	802-005C	HHCS 1/4-20X1 GR5		
8.	802-007C	HHCS 5/16-18X3/4 GR5		
9.	802-057C	HHCS 5/8-11X2 1/4 GR5		
10.	802-106C	RHSNB 1/2-13X1 1/2 GR5		
11.	802-314C	HHCS M8X1.25X20 GR8.8		
12.	802-967C	HHCS M8X1.25X35 GR8.8		
13.	803-263C	NUT HEX FLANGE LOCK 5/8-11 PLT	S/N _____+	
13.	803-148C	NUT HEX NYLOCK 5/8-11 PLT	S/N _____-	
14.	803-169C	NUT HEX FLG LOCK 1/2-13 PLT		
15.	803-255C	NUT HEX NYLOCK 1/4-20		
16.	804-007C	WASHER FLAT 1/4 SAE PLT		
17.	804-009C	WASHER LOCK SPRING 5/16 PLT		
18.	804-010C	WASHER FLAT 5/16 USS PLT		
19.	804-157C	WASHER SPRING LOCK M8 PLT		
20.	816-481C	MANUAL STORAGE CONTAINER		
21.	817-259C	KNOB 3/8-16 FEMALE THD 2 3/8OD		
22.	826-280C	DIV. SD/CO 540RPM SU		
23.	826-491C	COMER U0.209.7101.00 DIPSTICK		
24.	826-497C	COMER VENT #8.6.7.00269		
25.	826-683C	PTO CV 540 NO CLUTCH		
26.	826-764C	GBOX LF240 1:1.47 STD		
27.	826-821C	DRVLN C3 12F 1.38-6 FY CLTCH	S/N 1059003+	
27.	826-769C	RPBY 826-821C	S/N 1059002- (Obsolete)	
28.	837-101C	LAND PRIDE CONE		
28.	826-519C	SMALL SHAFT CONE W/ACCESS DOOR	Replaced with 837-101C	
29.	840-273C	PLUG LP 3" ID RUBBER		

Deck Wing Section

Applies to RC2515



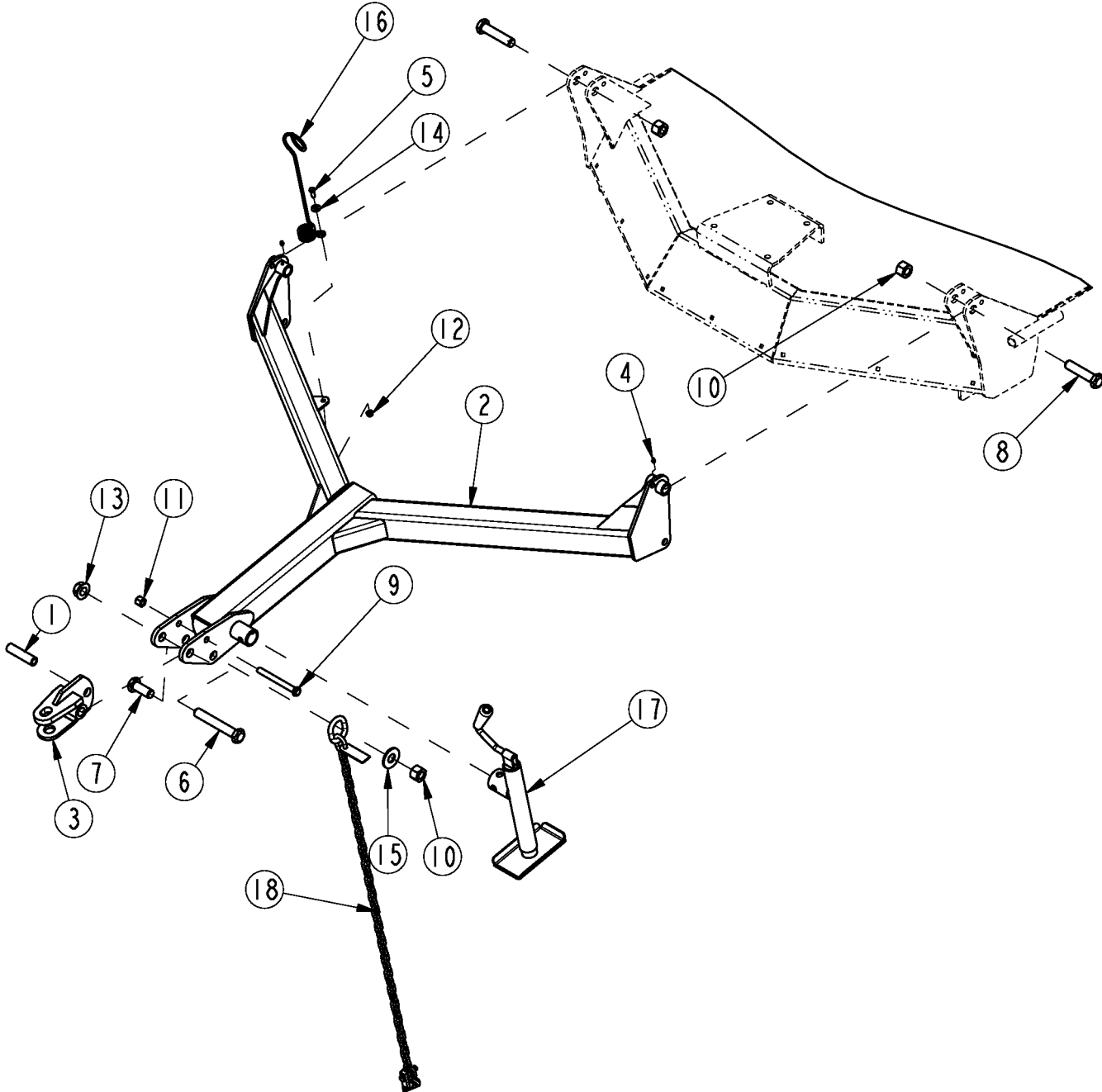
35142

Deck Wing Section**Applies to RC2515**

Ref	Part No.	Part Description	Comments	Revision
	Dwg 35142	Drawing Image Number		
1.	312-602D	SKID SHOE		
2.	330-993H	DECK, WING RH		
2.	330-993H81	DECK, WING RH GREEN		
2.	330-993H82	DECK, WING RH ORANGE		
2.	330-993H83	DECK, WING RH RED		
2.	330-990H	DECK, WING LH		
2.	330-990H81	DECK, WING LH GREEN		
2.	330-990H82	DECK, WING LH ORANGE		
2.	330-990H83	DECK, WING LH RED		
3.	330-996L	ASSY HINGE ROD		
4.	330-997H	HINGE ROD		
5.		SEE BLADE CARRIER FOR COMPONENTS		
6.	802-057C	HHCS 5/8-11X2 1/4 GR5		
7.	802-079C	HHCS 3/8-16X1 1/4 GR5		
8.	802-314C	HHCS M8X1.25X20 GR8.8		
9.	802-603C	PLOW 3/8-16X1 GR5		
10.	803-263C	NUT HEX FLANGE LOCK 5/8-11 PLT	S/N _____+	
10.	803-148C	NUT HEX NYLOCK 5/8-11 PLT	S/N _____-	
11.	803-198C	NUT HEX WHIZ 3/8-16 PLT		
12.	803-215C	NUT NYLOCK JAM THIN 3/8-16 PLT		
13.	804-009C	WASHER LOCK SPRING 5/16 PLT		
14.	804-010C	WASHER FLAT 5/16 USS PLT		
15.	826-491C	COMER U0.209.7101.00 DIPSTICK		
16.	826-764C	GBOX LF240 1:1.47 STD	LH Deck	
17.	826-765C	GBOX LF240 1:1.47 REV	RH Deck	
18.	826-822C	DRVLN C3 54 1.38-6 QD CLTCH	S/N 1059003+	
18.	826-770C	RPBY 826-822C	S/N 1059002- (Obsolete)	
19.	837-101C	LAND PRIDE CONE		
19.	826-240C	SMALL SHAFT CONE W ACCESS DOOR	Replaced with 837-101C	
20.	840-273C	PLUG LP 3" ID RUBBER		

Hitch Main Frame

Applies to RC2515



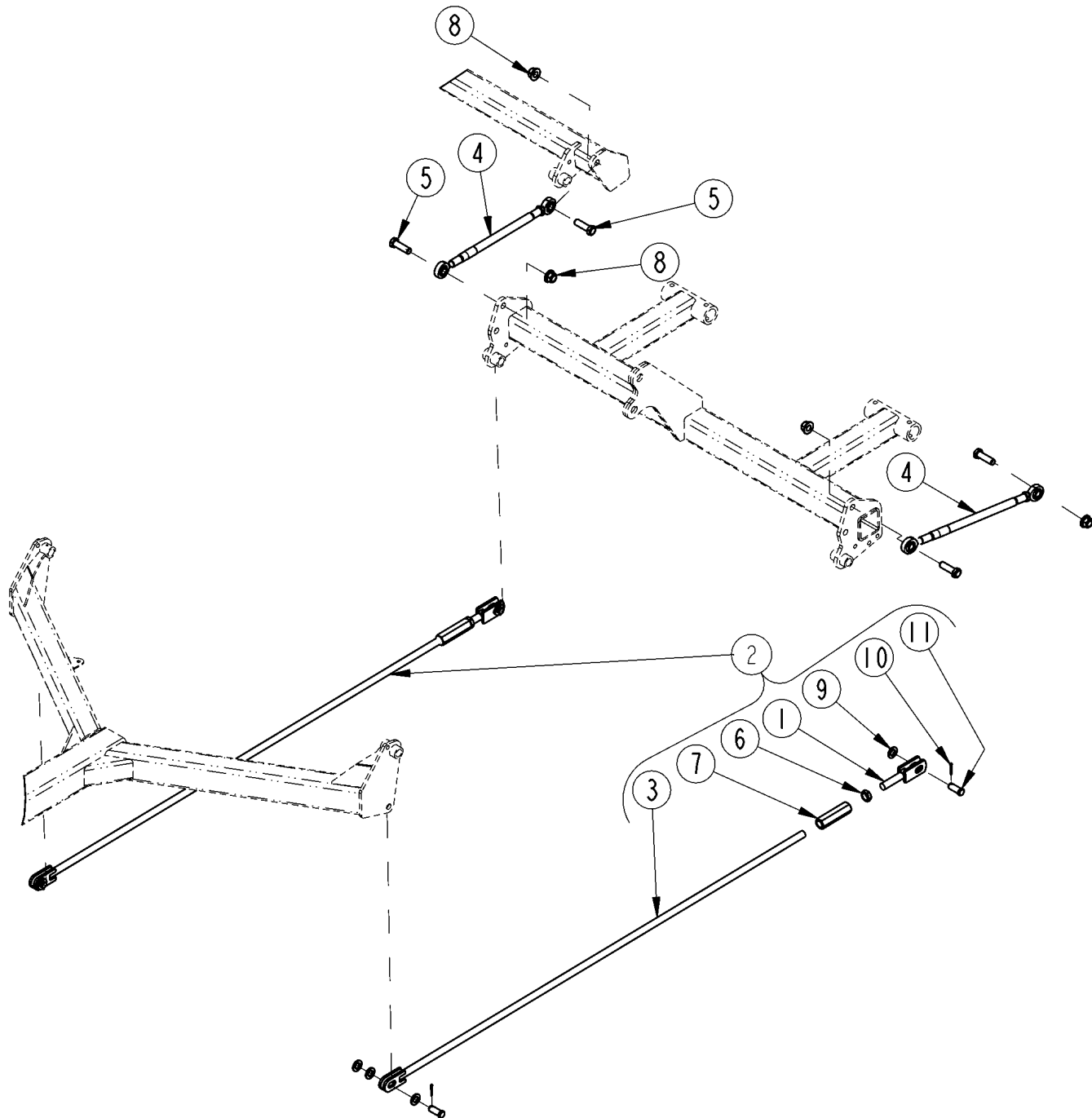
35143

Hitch Main Frame**Applies to RC2515**

Ref	Part No.	Part Description	Comments	Revision
	Dwg 35143	Drawing Image Number		
1.	330-311D	SPACER HITCH		
2.	330-998H	FRAME HITCH		
3.	331-465H	CLEVIS WELDMENT		
4.	800-001C	GREASE ZERK STRAIGHT 1/4-28	S/N 945005+	
4.	800-080C	GREASE ZERK 1/4-28 THD FORMING	S/N 945004-	
5.	802-017C	HHCS 3/8-16X1 GR5		
6.	802-074C	HHCS 1-8X6 1/2 GR5		
7.	802-096C	HHCS 1-8X2 1/2 GR5		
8.	802-098C	HHCS 1-8X4 1/2 GR5		
9.	802-116C	HHCS 5/8-11X6 GR5		
10.	803-168C	NUT HEX TOP LOCK 1-8 PLT		
11.	803-148C	NUT HEX NYLOCK 5/8-11 PLT		
12.	803-209C	NUT FLANGE LOCK 3/8-16 PLT		
13.	803-258C	NUT HEX FLG LOCK 1-8 GR B PLT		
14.	804-011C	WASHER FLAT 3/8 USS PLT		
15.	804-028C	WASHER FLAT 1 USS PLT		
16.	807-023C	SPRING HOSE LOOP		
17.	890-118C	SCREW JACK 2000# 14-24 TOP-WND		
18.	891-246C	AG SAFETY CHAIN 6400 LB		

Leveling Rod & Wing Turnbuckle

Applies to RC2515



35144

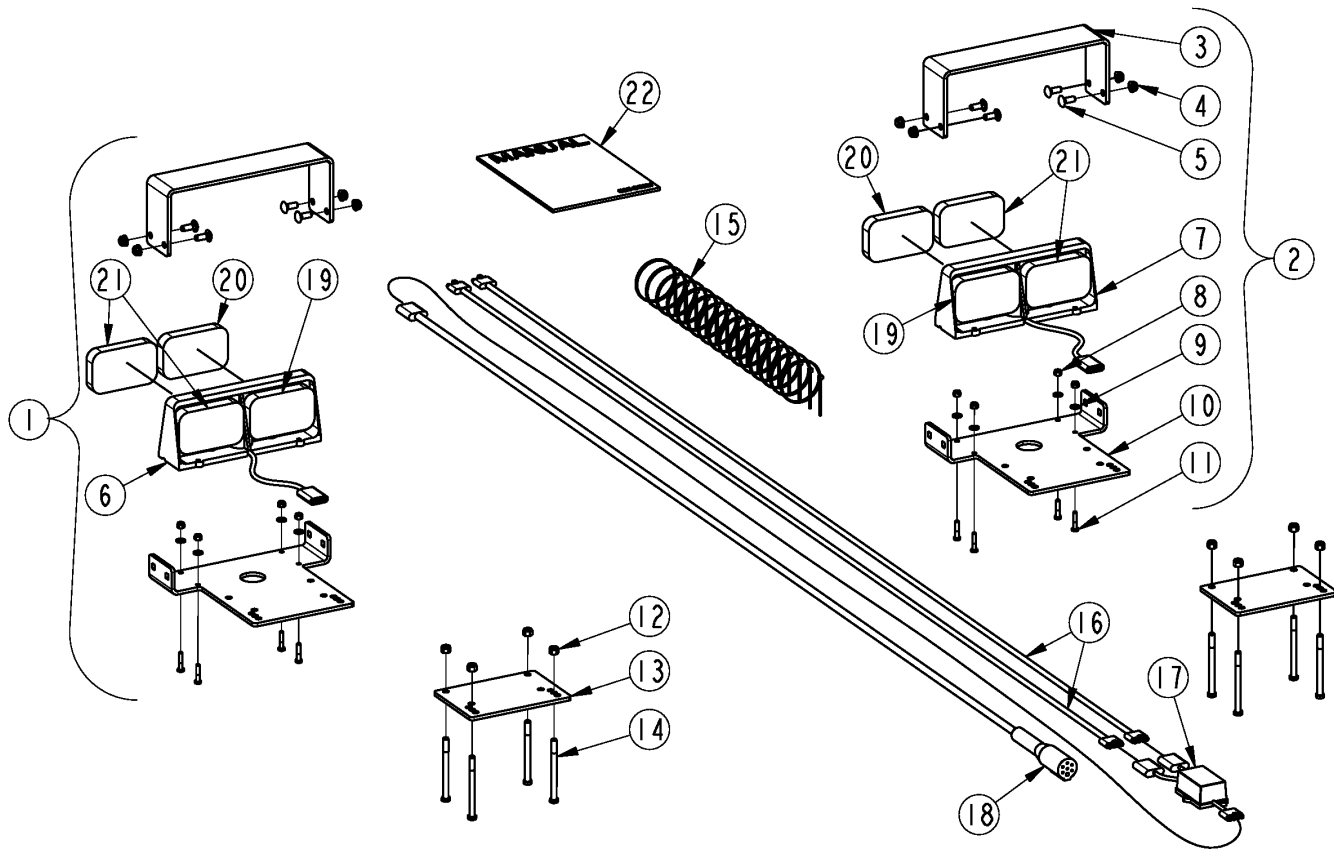
Leveling Rod & Wing Turnbuckle

Applies to RC2515

Ref	Part No.	Part Description	Comments	Revision
	Dwg 35144	Drawing Image Number		
1.	318-008H	WLDMT. LEVEL ROD SHORT		
2.	330-987K	ASSY LEVEL ROD		
3.	330-988H	WLDMT LEVEL ROD LONG		
4.	331-001S	TURNBUCKLE ASY, 3/4 HOLES		
5.	802-212C	HHCS 3/4-10X2 1/2 GR5		
6.	803-075C	NUT HEX JAM 7/8-9		
7.	803-265C	NUT HEX COUPLER 7/8-9 x 5		
8.	803-299C	NUT HEX FLG TOP LK 3/4-10 PLT		
9.	804-025C	WASHER FLAT 3/4 SAE PLT		
10.	805-045C	PIN COTTER 5/32 X 1 1/4 LG		
11.	805-083C	PIN CLEVIS 3/4 X 1 1/2		

Lights 2.5 Inch (LED)

Applies to RC2515



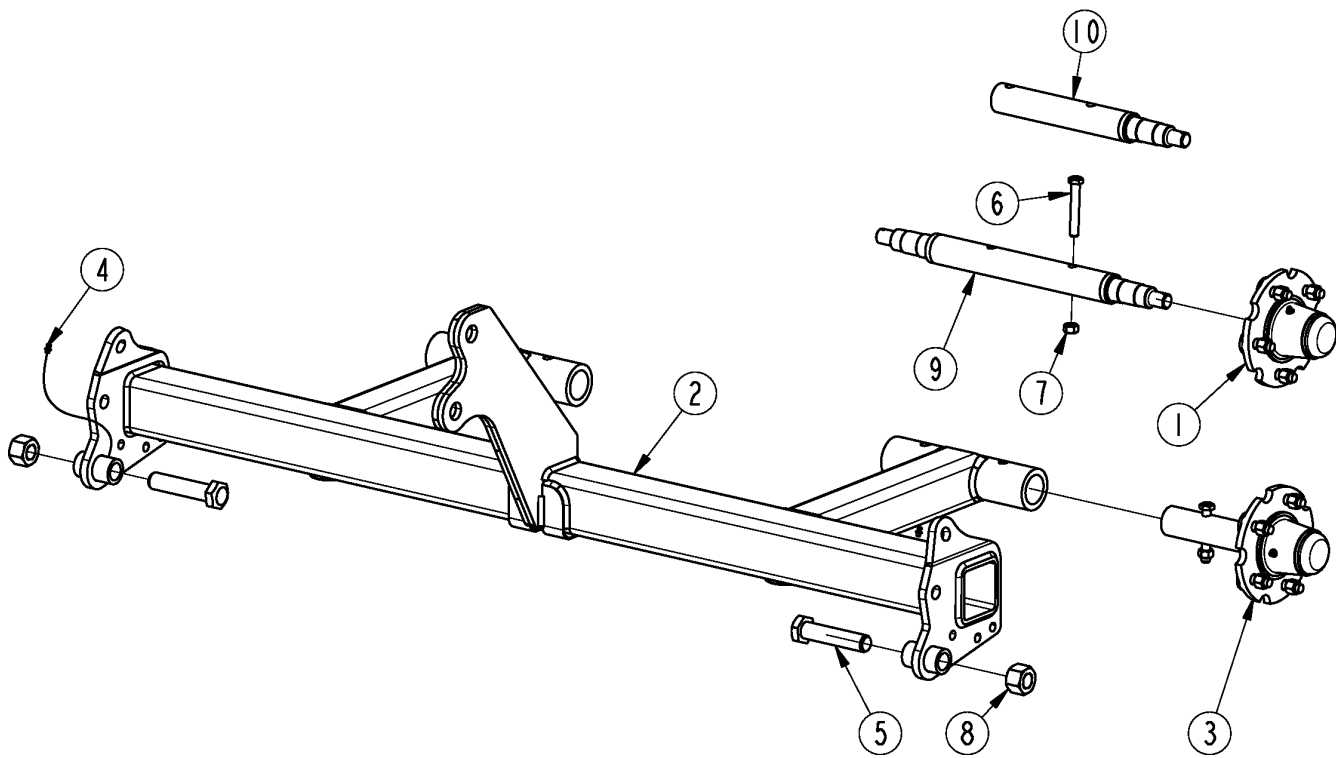
37671

Lights 2.5 Inch (LED)**Applies to RC2515**

Ref	Part No.	Part Description	Comments	Revision
	Dwg 37671 334-576A	Image No. FOLDING CUTTER LIGHT KIT 2.5" *	S/N 1150617- Lights were optional	
1.	331-471S	RH LIGHT ASSY	Includes Items 3, 4, 5, 6, 8, 9, 10, & 11	
2.	331-472S	LH LIGHT ASSY	Includes Items 3, 4, 5, 7, 8, 9, 10, & 11	
3.	330-966D	LIGHT GUARD		
4.	803-209C	NUT FLANGE LOCK 3/8-16 PLT		
5.	802-015C	RHSNB 3/8-16X1 GR5		
6.	891-523C	DUAL LED LIGHT RH	Includes items 19, 20, & 21	
7.	891-522C	DUAL LED LIGHT LH	Includes items 19, 20, & 21	
8.	803-255C	NUT HEX NYLOCK 1/4-20		
9.	804-007C	WASHER FLAT 1/4 SAE PLT		
10.	330-965D	LIGHT MNT		
11.	802-224C	HHCS 1/4-20X1 1/4 GR5		
12.	803-078C	NUT LOCK 3/8-16 NYLON INSERT		
13.	330-967D	LIGHT MNT CLAMP		
14.	802-223C	HHCS 3/8-16X4 GR5		
15.	800-060C	CABLE TIE .19X14.25 3DIA 50LB		
16.	891-529C	LIGHT WIRE HARNESS 8'		
17.	891-531C	ENHANCE MODULE		
18.	891-532C	LEAD WIRE HARNESS 8'		
19.	J-AC1-15-B	BLACK LENS COVER	Black lens	
20.	J-37-R	RED LED LENS MODULE	Red lens	
21.	J-37-A	AMBER LED LENS MODULE	Amber lens	
22.	334-574M	ROTARY CUTTER LIGHT KIT MANUAL		

Axle Center

Applies to RC2515



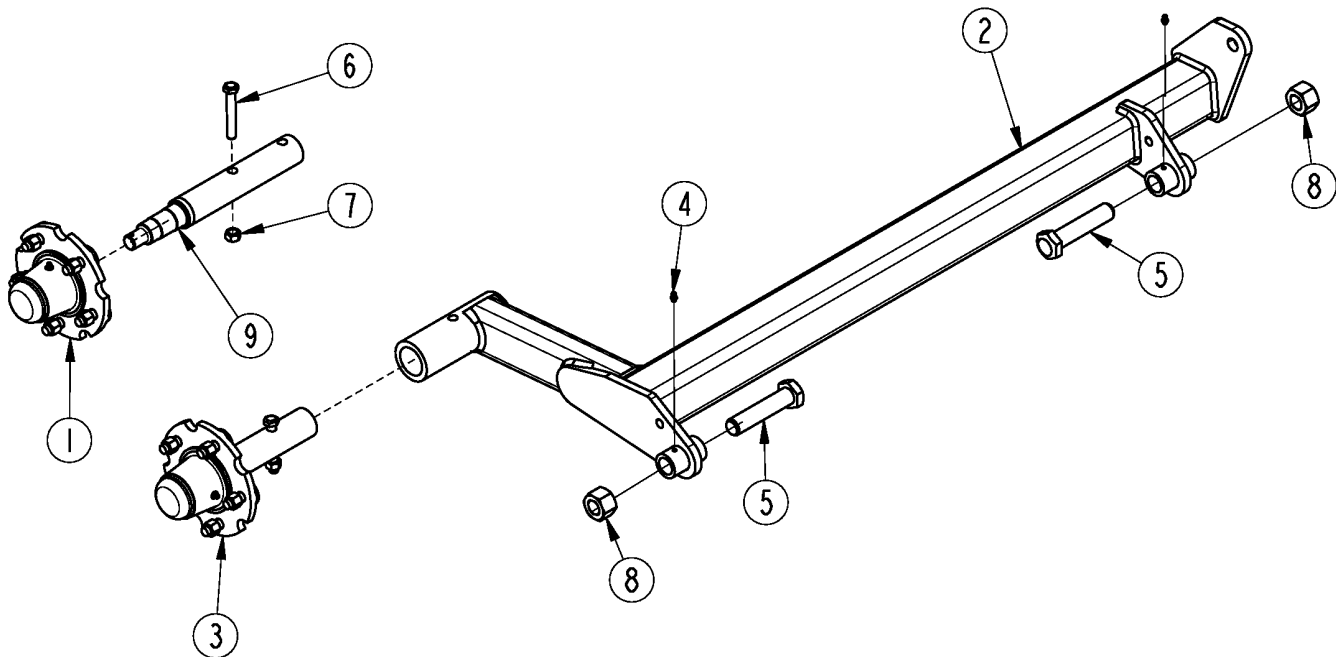
35145

Axle Center**Applies to RC2515**

Ref	Part No.	Part Description	Comments	Revision
	Dwg 35145	Drawing Image Number		
1.	330-938K	HUB 5 BOLT COMPLETE	S/N _____ -	
2.	330-986H	AXLE CENTER		
3.	331-795L	SPINDLE AND HUB ASSY	S/N _____ +	
4.	800-001C	GREASE ZERK STRAIGHT 1/4-28	S/N 945005+	
4.	800-080C	GREASE ZERK 1/4-28 THD FORMING	S/N 945004-	
5.	802-098C	HHCS 1-8X4 1/2 GR5		
6.	802-099C	HHCS 1/2-13X3 1/4 GR5		
7.	803-019C	NUT LOCK 1/2-13 PLT		
8.	803-038C	NUT HEX 1-8 NYLON INSERT PLT		
9.	815-403C	SPINDLE OFFSET, DUAL BOLT-ON	(S/N _____-) Short Side Out W/29" Tire or Long Side Out w/ Laminater Tire	
10.	815-435C	SPINDLE, SINGLE-BOLT ON 7/8-14	(S/N _____-) Use W/ 29" AC Tire	
10.	815-404C	SPINDLE, SINGLE BOLT ON 15	(S/N _____-) Use W/ Laminated Tire	

Axle Wing

Applies to RC2515



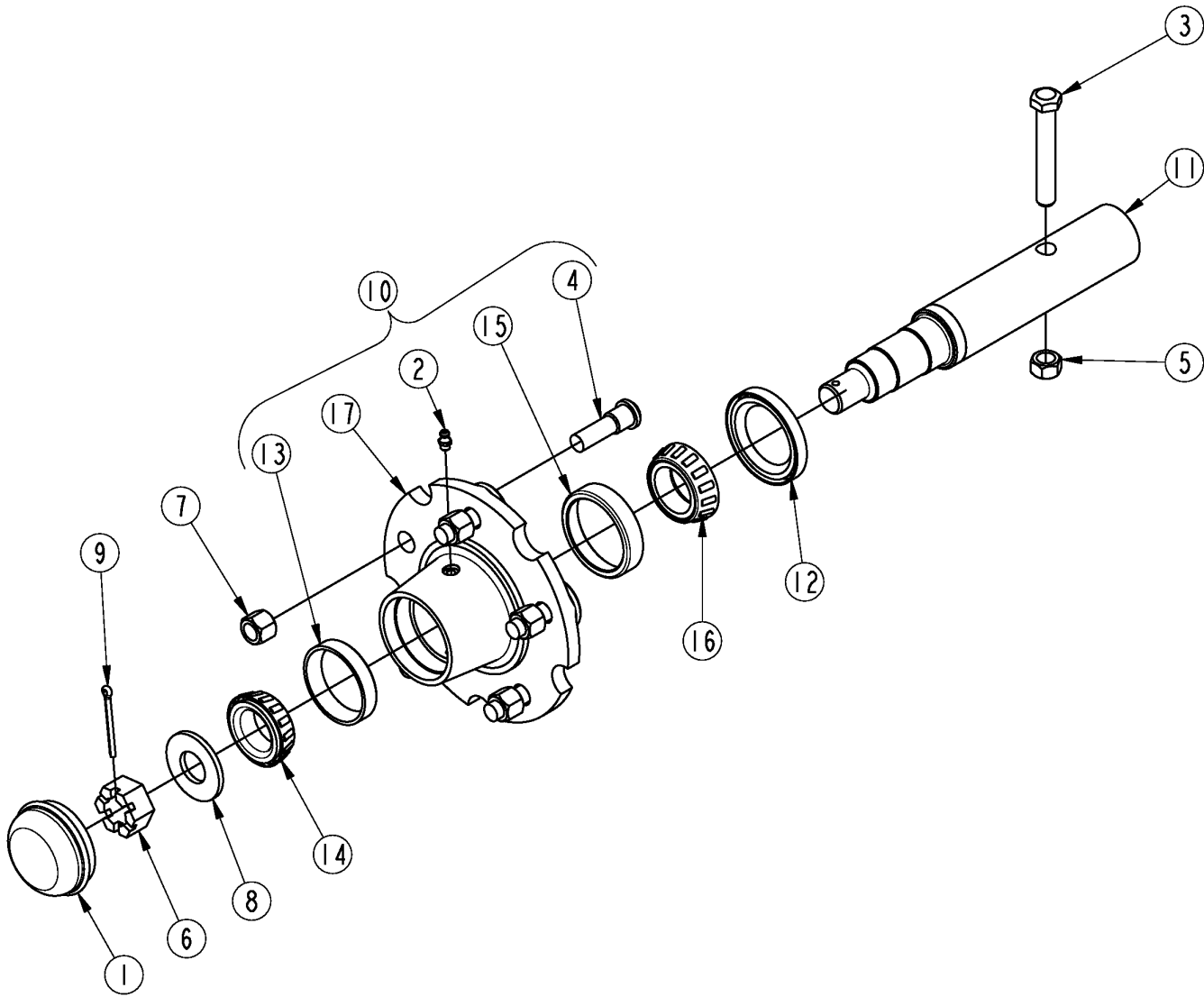
35146

Axle Wing**Applies to RC2515**

Ref	Part No.	Part Description	Comments	Revision
	Dwg 35146	Drawing Image Number		
1.	330-938K	HUB 5 BOLT COMPLETE	S/N _____ -	
2.	330-995H	AXLE WING RH		
2.	330-992H	AXLE WING LH		
3.	331-795L	SPINDLE AND HUB ASSY	S/N _____ +	
4.	800-001C	GREASE ZERK STRAIGHT 1/4-28	S/N 945005+	
4.	800-080C	GREASE ZERK 1/4-28 THD FORMING	S/N 945004-	
5.	802-098C	HHCS 1-8X4 1/2 GR5		
6.	802-099C	HHCS 1/2-13X3 1/4 GR5		
7.	803-019C	NUT LOCK 1/2-13 PLT		
8.	803-038C	NUT HEX 1-8 NYLON INSERT PLT		
9.	815-401C	SPINDLE, SINGLE BOLT-ON 7/8-14	S/N _____ -	

Hub & Spindle Assembly (331-795L)

Applies to RC2515



72662

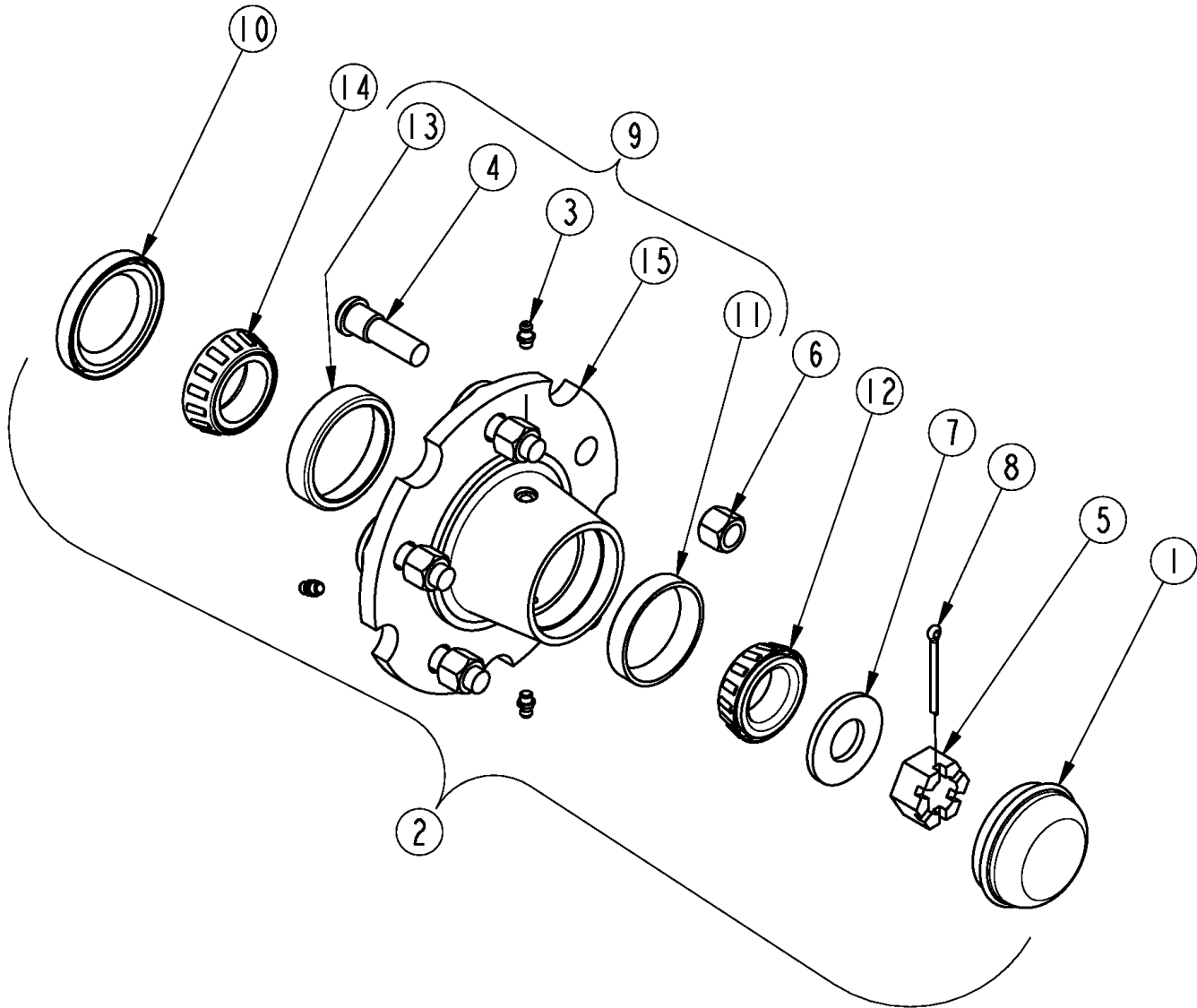
Hub & Spindle Assembly (331-795L)

Applies to RC2515

Ref	Part No.	Part Description	Comments	Revision
	Dwg 72662 331-795L	Image No. SPINDLE AND HUB ASSY *		
1.	200-001D	HUB GREASE CAP		
2.	800-080C	GREASE ZERK 1/4-28 THD FORMING		
3.	802-099C	HHCS 1/2-13X3 1/4 GR5		
4.	802-779C	HUB STUD 1/2-20X1.88 GR5		
5.	803-019C	NUT LOCK 1/2-13 PLT		
6.	803-029C	NUT HEX SLOTTED 7/8-14 PLT		
7.	803-310C	NUT HEX 1/2-20 X 5/8 HIGH		
8.	804-055C	WASHER SPINDLE - 7/8		
9.	805-246C	PIN COTTER 5/32 X 1 3/4 LG		
10.	815-243C	HUB 5-BOLT W/CUPS/STUDS		
11.	815-491C	SINGLE AXLE SPINDLE, WING		
12.	816-497C	SEAL 1.75ID CR17617		
13.	822-020C	BRG CUP LM-67010		
14.	822-021C	BRG CONE 1.25ID LM-67048		
15.	822-033C	BRG CUP LM-48510		
16.	822-034C	BRG CONE LM-48548		
17.	HT250	MACHINED 5-BOLT HUB		

Hub Assembly (330-938K)

Applies to RC2515



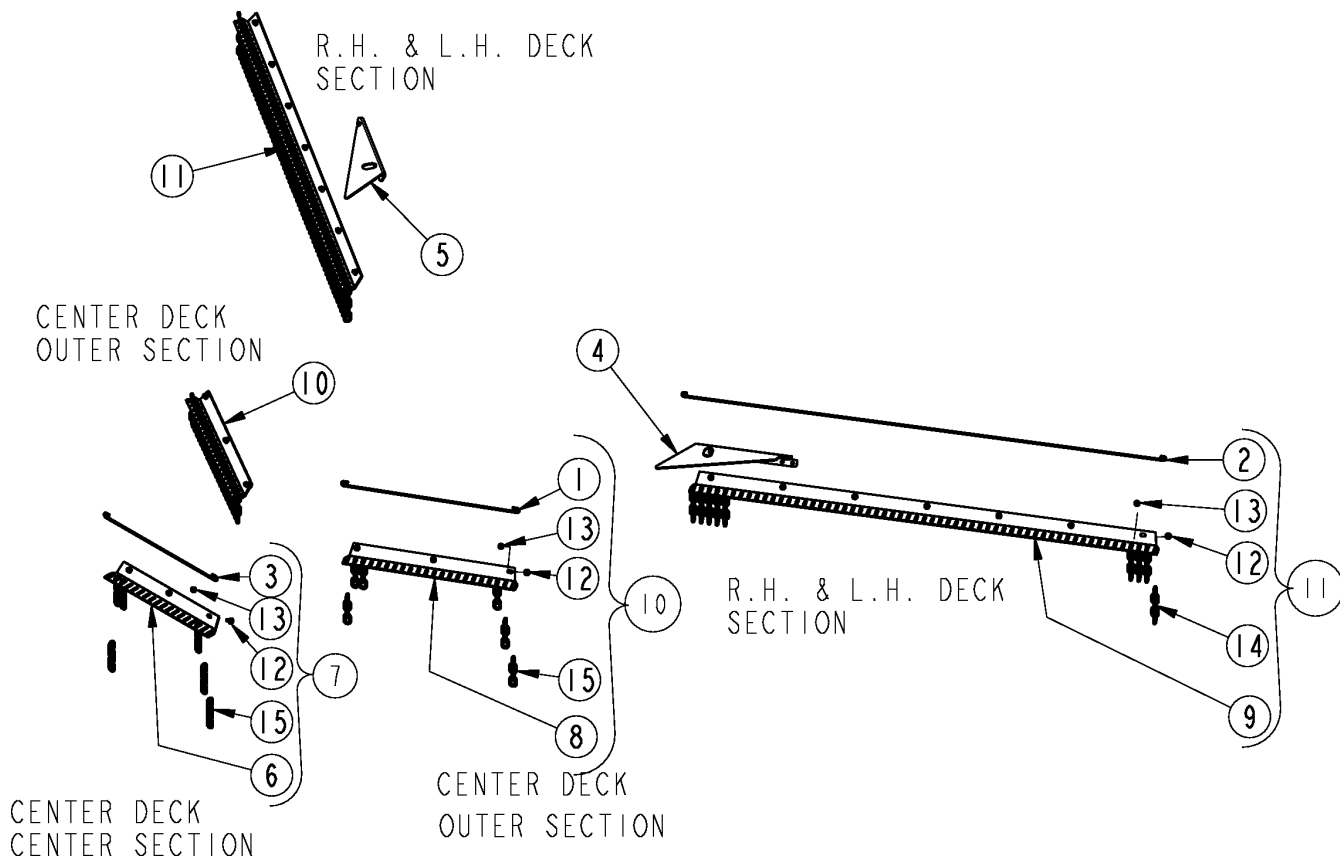
37676

Hub Assembly (330-938K)**Applies to RC2515**

Ref	Part No.	Part Description	Comments	Revision
	Dwg 37676 330-938K	Image No. HUB 5 BOLT COMPLETE *		
1.	200-001D	HUB GREASE CAP		
2.	330-938K	HUB 5 BOLT COMPLETE		
3.	800-080C	GREASE ZERK 1/4-28 THD FORMING		
4.	802-779C	HUB STUD 1/2-20X1.88 GR5		
5.	803-029C	NUT HEX SLOTTED 7/8-14 PLT		
6.	803-310C	NUT HEX 1/2-20 X 5/8 HIGH		
7.	804-055C	WASHER SPINDLE - 7/8		
8.	805-246C	PIN COTTER 5/32 X 1 3/4 LG		
9.	815-243C	HUB 5-BOLT W/CUPS/STUDS		
10.	816-497C	SEAL 1.75ID CR17617		
11.	822-020C	BRG CUP LM-67010		
12.	822-021C	BRG CONE 1.25ID LM-67048		
13.	822-033C	BRG CUP LM-48510		
14.	822-034C	BRG CONE LM-48548		
15.	815-242C	HUB 5-BOLT CASTING		

Guards Chain Single Row Front

Applies to RC2515



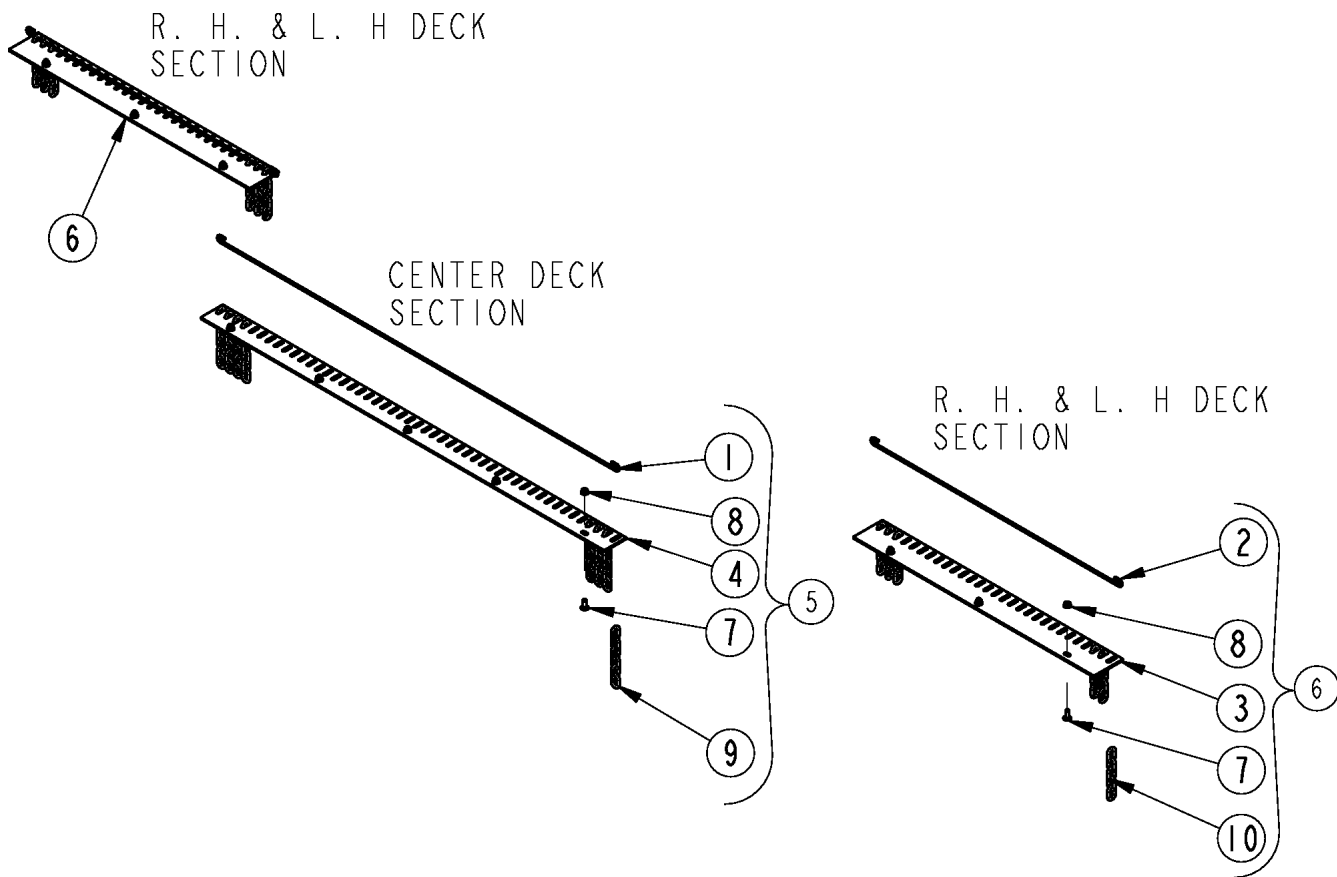
35148

Guards Chain Single Row Front**Applies to RC2515**

Ref	Part No.	Part Description	Comments	Revision
	Dwg 35148 331-087A	Drawing Image Number CHAIN GUARDS FRONT *		
1.	318-106D	ROUND ROD 1/4 X 29		
2.	318-336D	ROUND ROD 1/4 X 73		
3.	318-337D	ROUND ROD 1/4 X 25		
4.	326-993D	GUARD FRONT LH SIDE		
5.	326-994D	GUARD FRONT RH SIDE		
6.	330-301D	BRACKET CHNGRD FRT CTR		
7.	330-699K	ASSY CHNGRD FRT CTR INR		
8.	330-708D	BRACKET CHNGRD FRT OTR 15'		
9.	330-709D	BRACKET CHNGRD FRT WING 15'		
10.	331-091K	ASSY CHNGRD FRT CTR OTR 15'		
11.	331-092K	ASSY CHNGRD FRT WING 15'		
12.	802-015C	RHSNB 3/8-16X1 GR5		
13.	803-198C	NUT HEX WHIZ 3/8-16 PLT		
14.	890-341C	CHAIN WELD 5/16 GR 43 X 5 LINK		
15.	890-400C	CHAIN WELD 5/16 GR 43 X 4 LINK		

Guards Chain Single Row Rear

Applies to RC2515



35149

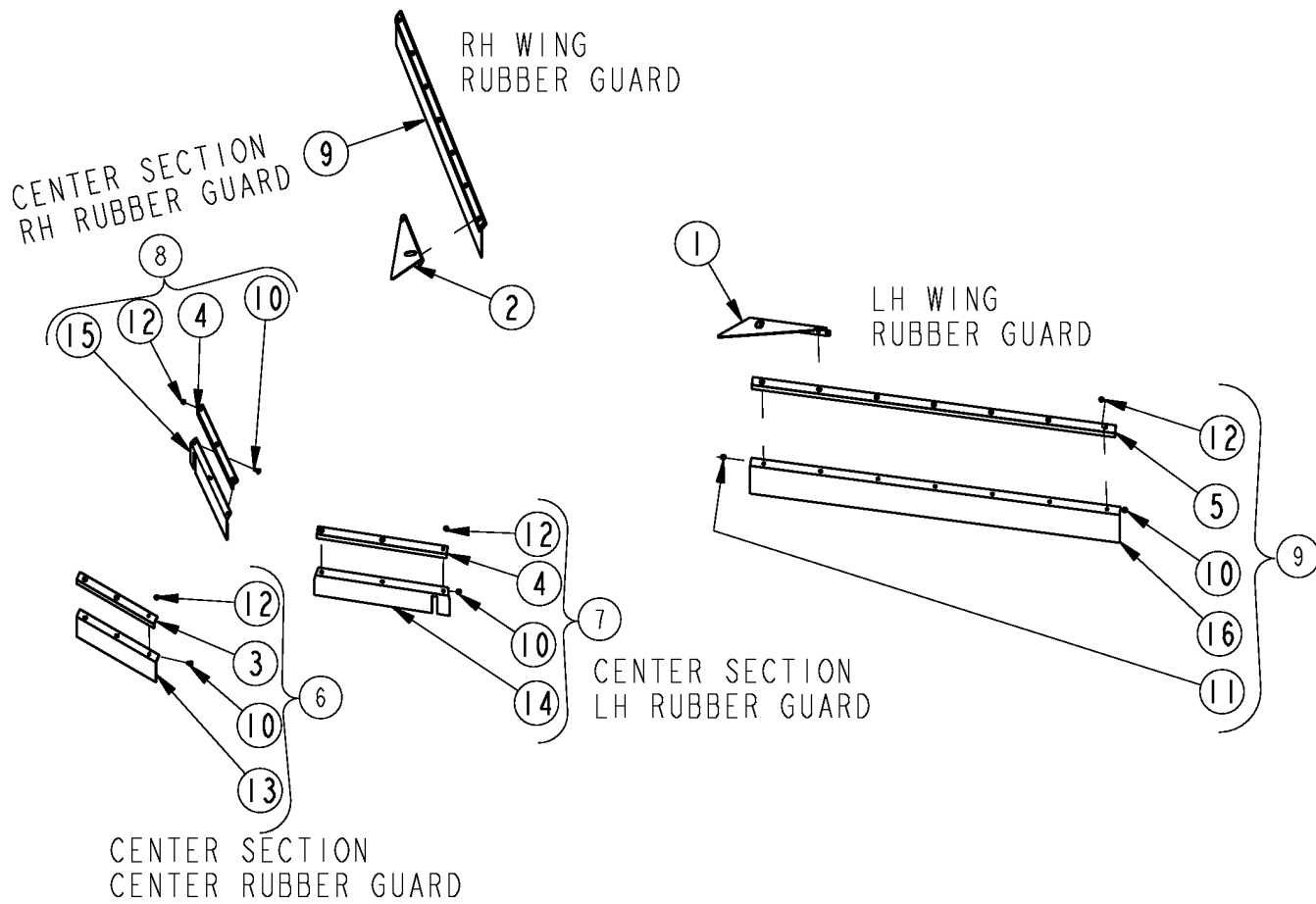
Guards Chain Single Row Rear

Applies to RC2515

Ref	Part No.	Part Description	Comments	Revision
	Dwg 35149 331-088A	Drawing Image Number CHAIN GUARDS REAR *		
1.	318-478D	ROUND ROD .25 X 59		
2.	326-535D	ROUND ROD 1/4 X 37 3/4		
3.	330-710D	BRACKET CHNGRD REAR WING		
4.	330-711D	BRACKET CHNGRD REAR CTR		
5.	331-095K	ASSY CHNGRD REAR CTR		
6.	331-096K	ASSY CHNGRD REAR WING		
7.	802-015C	RHSNB 3/8-16X1 GR5		
8.	803-198C	NUT HEX WHIZ 3/8-16 PLT		
9.	890-175C	CHAIN 5/16 GR 43 X 6 LINKS PLT		
10.	890-341C	CHAIN WELD 5/16 GR 43 X 5 LINK		

Guards Rubber Front

Applies to RC2515



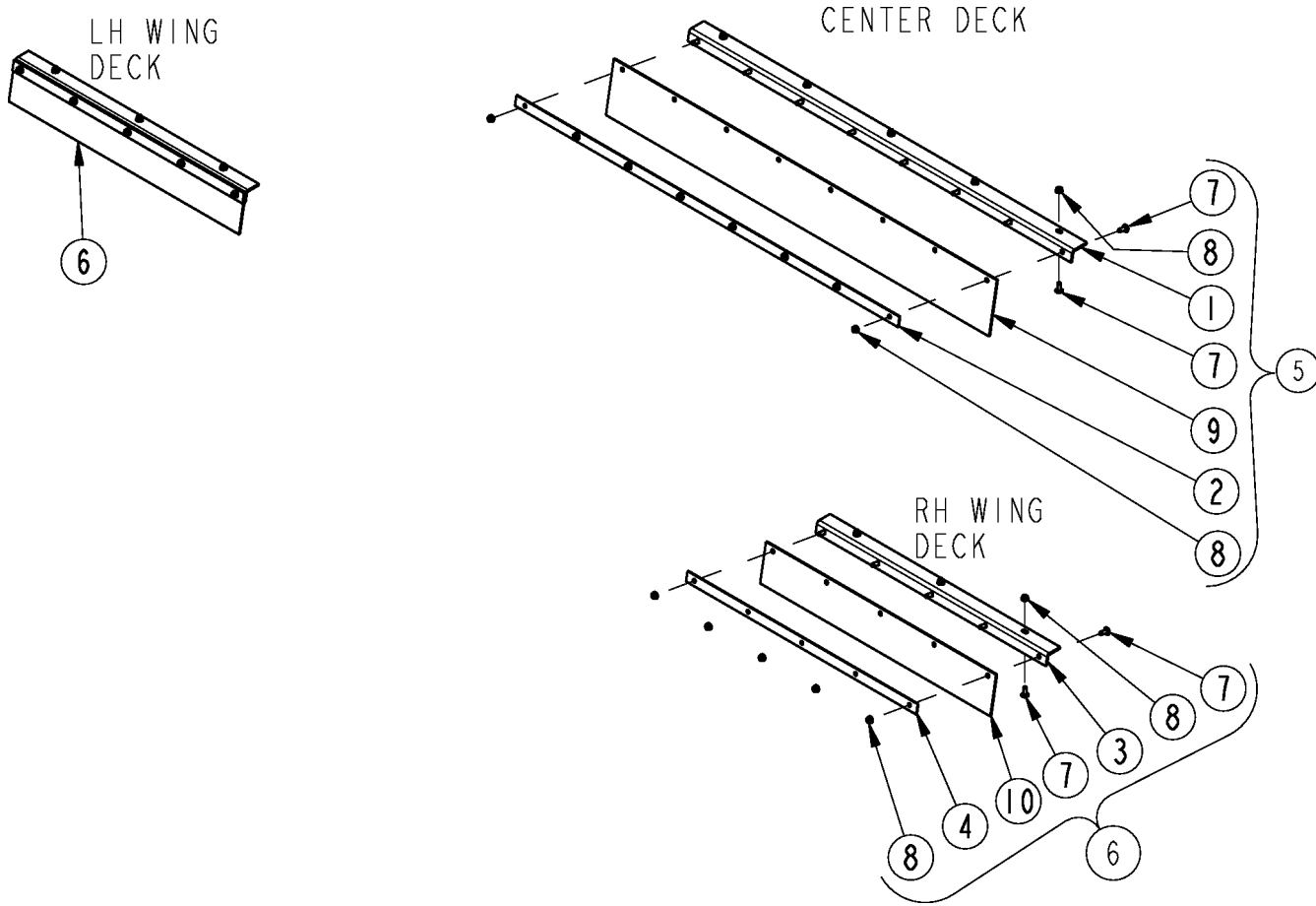
35822

Guards Rubber Front**Applies to RC2515**

Ref	Part No.	Part Description	Comments	Revision
	Dwg 35822 331-089A	Drawing Image Number RUBBER GUARDS FRONT *		
1.	326-993D	GUARD FRONT LH SIDE		
2.	326-994D	GUARD FRONT RH SIDE		
3.	330-321D	BRACKET RBRGRD FRT INNR		
4.	330-720D	BRACKET RBRGRD FRT OTR		
5.	330-721D	BRACKET RBRGRD FRT WING		
6.	330-729K	RBBRGRD FRT CTR INNR		
7.	331-113K	RBBRGRD FRT CTR LH		
8.	331-114K	RBBRGRD FRT CTR RH		
9.	331-115K	RBBRGRD FRT WING		
10.	802-015C	RHSNB 3/8-16X1 GR5		
11.	802-155C	RHSNB 3/8-16X1 1/4 GR5		
12.	803-198C	NUT HEX WHIZ 3/8-16 PLT		
13.	816-682C	RUBBER GUARD FRT INNR		
14.	816-764C	RUBBER GUARD FRT OTR		
15.	816-764C	RUBBER GUARD FRT OTR		
16.	816-765C	RUBBER GUARD FRT WING		

Guards Rubber Rear

Applies to RC2515



35823

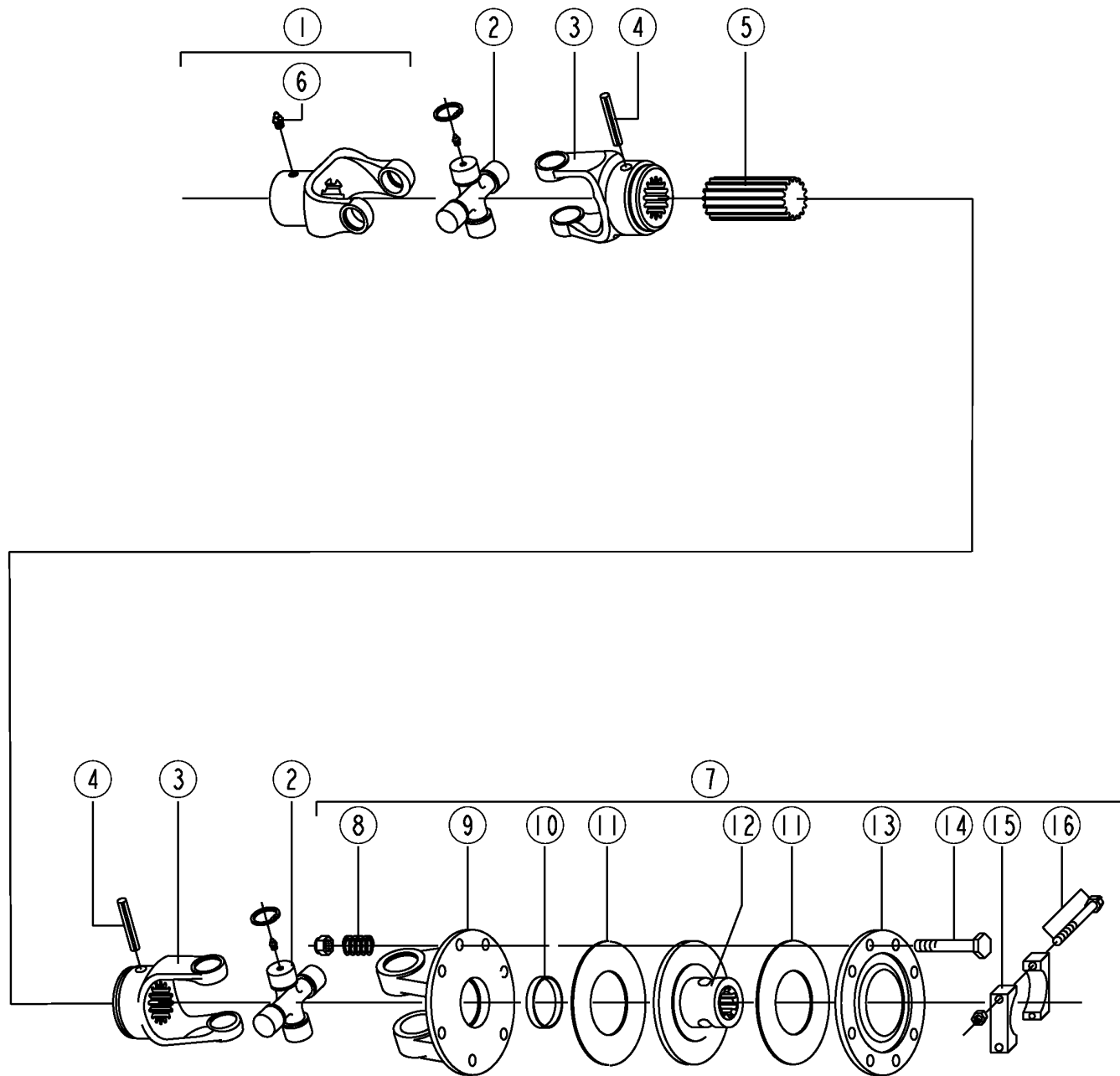
Guards Rubber Rear

Applies to RC2515

Ref	Part No.	Part Description	Comments	Revision
	Dwg 35823 331-090A	Drawing Image Number RUBBER GUARDS REAR *		
1.	330-724D	BRACKET RBRGRD REAR CTR		
2.	330-725D	FLAT SUPPORT BAND		
3.	330-726D	BRACKET RBRGRD REAR WING		
4.	330-727D	FLAT SUPPORT BAND WING		
5.	331-116K	RBBRGRD REAR CTR		
6.	331-117K	RBBRGRD REAR WING		
7.	802-015C	RHSNB 3/8-16X1 GR5		
8.	803-198C	NUT HEX WHIZ 3/8-16 PLT		
9.	816-766C	RUBBER GUARD REAR CTR		
10.	816-767C	RUBBER GUARD REAR WING		

Driveline Center W/ Clutch (826-821C) Comer

Applies to RC2515



37503

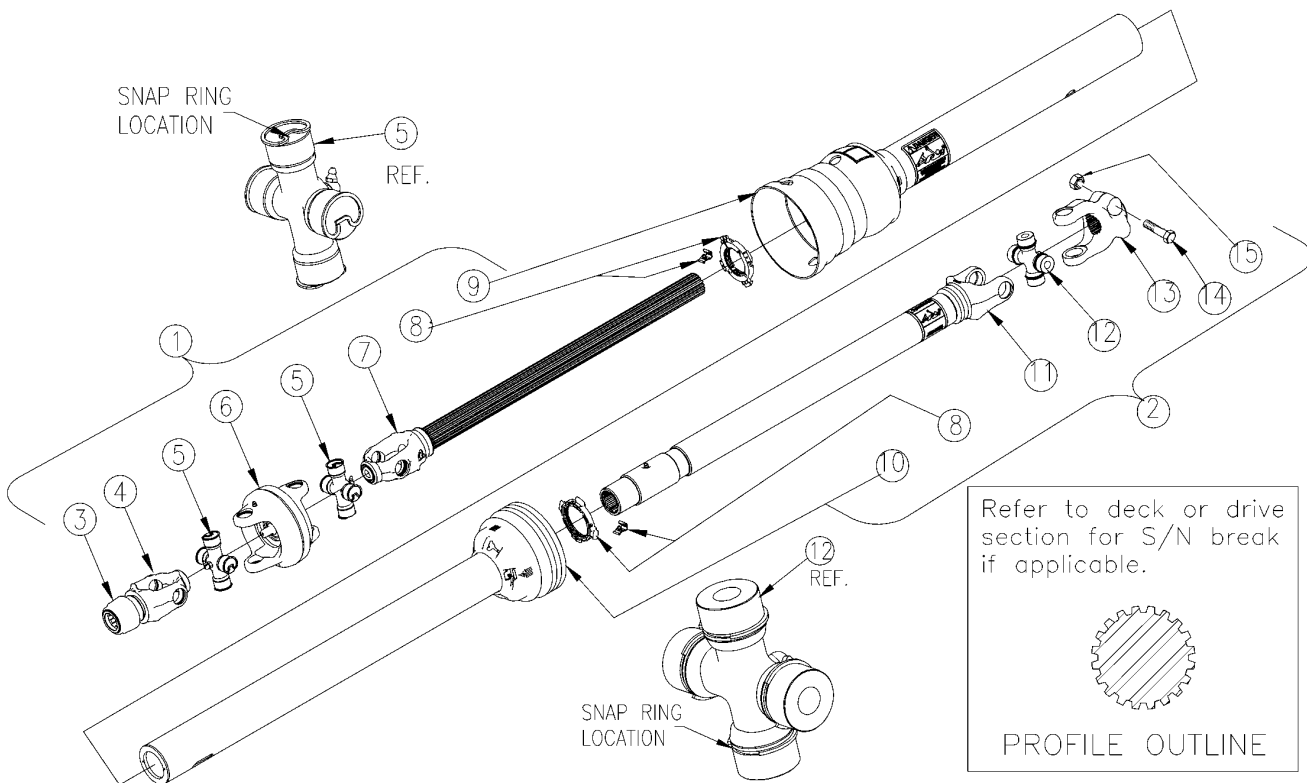
Driveline Center W/ Clutch (826-821C) Comer

Applies to RC2515

Ref	Part No.	Part Description	Comments	Revision
	Dwg 37503 826-821C	Image No. DRIVELINE, CENTER W/CLUTCH *		
1.	141.024.757.1	CO SPLINED YOKE 122 W/GRS FTG		
2.	180.014.625	CO CROSS JOURNAL SET		
3.	151.014.250.1	CO SPL YOKE W/HL FOR ROLL PIN		
4.	190.000.012	CO ROLL PIN FOR INNER TUBE		
5.	155.140.642	CO SPLINED SHAFT		
6.	190.000.020	COMER GREASE FITTING		
7.	146.241.056.1	CO COMPLETE FRICTION CLTCH F15		
8.	180.014.022	COMER SPRING		
9.	151.014.756.1	COMER FLANGED YOKE		
10.	180.019.019	COMER BUSH		
11.	180.015.377	RPBY 180.015.019		
12.	151.015.424.1	CO CLUTCH SUPPORT F15		
13.	180.015.021.1	CO PRESSURE PLATE		
14.	165.000.501	COMER NUT & BOLT M10X80		
15.	151.014.201	CO COMER BRIDGE		
16.	165.000.622	CO BOLT M14X1.5X100 & NUT		

Driveline CV (826-683C) Weasler

Applies to RC2515



30643

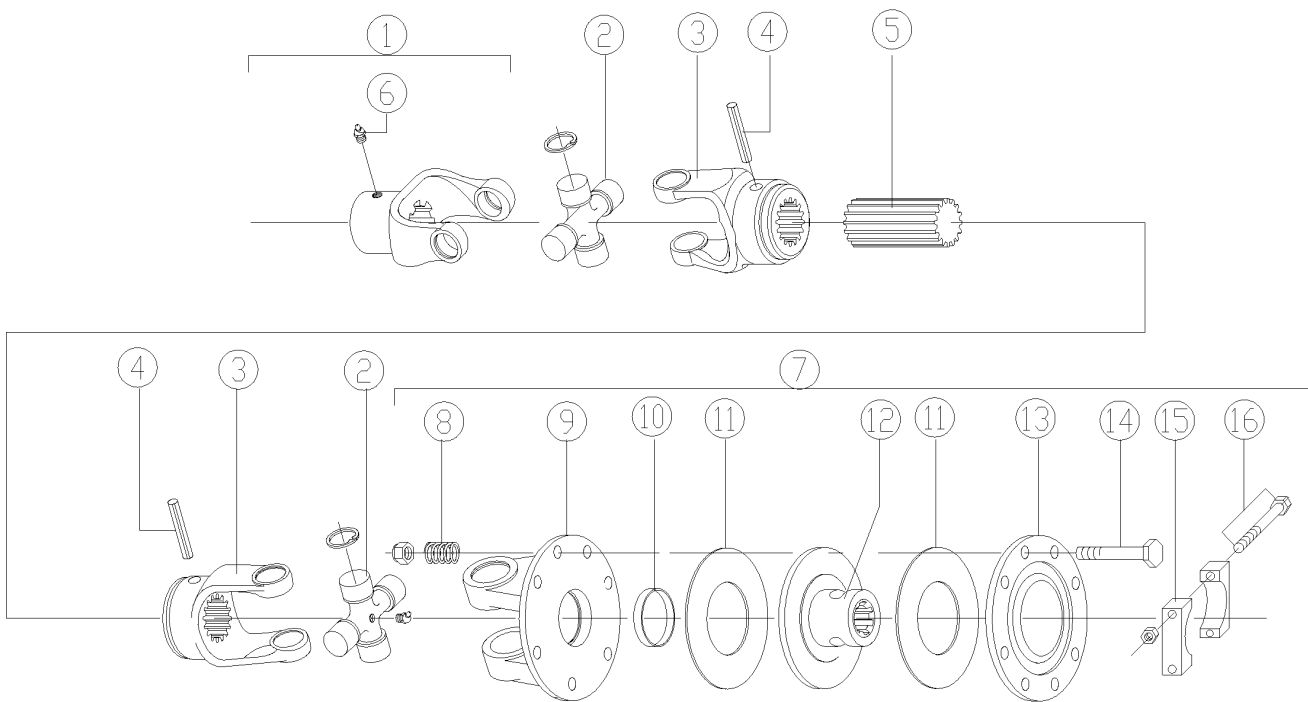
Driveline CV (826-683C) Weasler

Applies to RC2515

Ref	Part No.	Part Description	Comments	Revision
	Dwg 30643 826-683C	Drawing Image Number PTO CV 540 NO CLUTCH *		
1.	93-25452	WE JOINT & SHFT HALF ASM W/GRD		
2.	92-25452	WE JOINT & TUBE HALF ASM W/GRD		
3.	26-15120	WE SSL/AUTO-LOK REPAIR KIT		
4.	86810-1008	WE WWCV AUTO-LOK YOKE ASM		
5.	03-15450	WE AB6/AW22/CAT 4 80DEG CROSS		
6.	26-15159	WE WWCV CENTER HOUSING		
7.	99-25452	WE WWCV YOKE & SHFT (1.31-20)		
8.	19-15134	WE GUARD REPAIR KIT		
9.	97-25452	WE OUTER GUARD		
10.	96-25452	WE INNER GUARD		
11.	98-25452	WE YOKE, TUBE & SLIP SLEEVE		
12.	03-10326	WE 35RBL CROSS KIT		
13.	35141-2397	WE YOKE		
14.	11-20456	WE FLG BOLT, 5/8-11X2.75 GR.8		
15.	803-263C	NUT HEX FLANGE LOCK 5/8-11 PLT		

Driveline Intermediate (826-769C) Comer

Applies to RC2515



35166

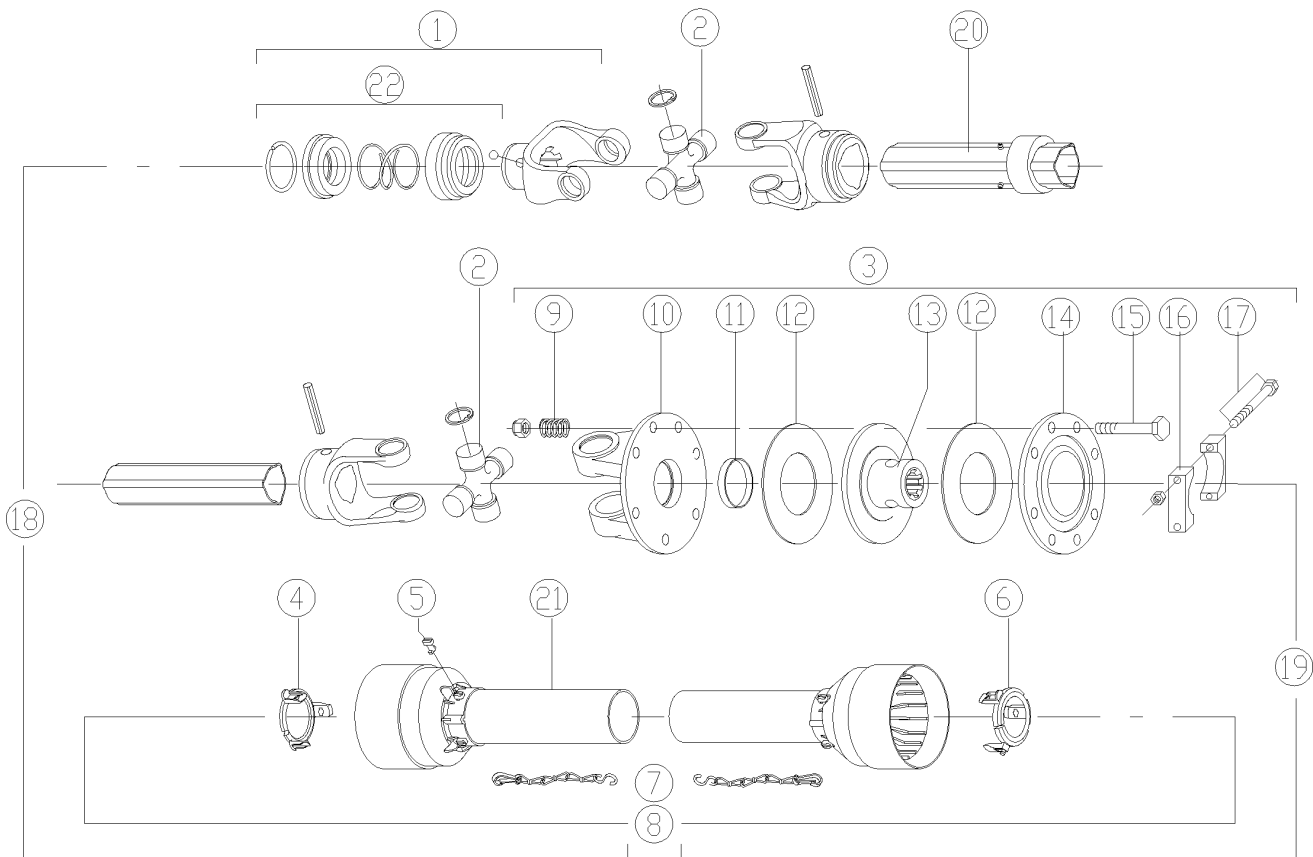
Driveline Intermediate (826-769C) Comer

Applies to RC2515

Ref	Part No.	Part Description	Comments	Revision
	Dwg 35166 826-769C	Drawing Image Number RPBY 826-821C *	Obsolete	
1.	141.024.757.1	CO SPLINED YOKE 122 W/GRS FTG		
2.	180.014.426	CO CROSS JOURNAL SET		
3.	151.014.250.1	CO SPL YOKE W/HL FOR ROLL PIN		
4.	190.000.012	CO ROLL PIN FOR INNER TUBE		
5.	155.140.642	CO SPLINED SHAFT		
6.	190.000.020	COMER GREASE FITTING		
7.	146.241.056.1	CO COMPLETE FRICTION CLTCH F15		
8.	180.014.022	COMER SPRING		
9.	151.014.756.1	COMER FLANGED YOKE		
10.	180.019.019	COMER BUSH		
11.	180.015.019	COMER LINING RING		
11.	180.015.377	RPBY 180.015.019		
12.	151.015.424.1	CO CLUTCH SUPPORT F15		
13.	180.015.021.1	CO PRESSURE PLATE		
14.	165.000.501	COMER NUT & BOLT M10X80		
15.	151.014.201	CO COMER BRIDGE		
16.	165.000.622	CO BOLT M14X1.5X100 & NUT		

Driveline Wing (826-770C) Comer

Applies to RC2515



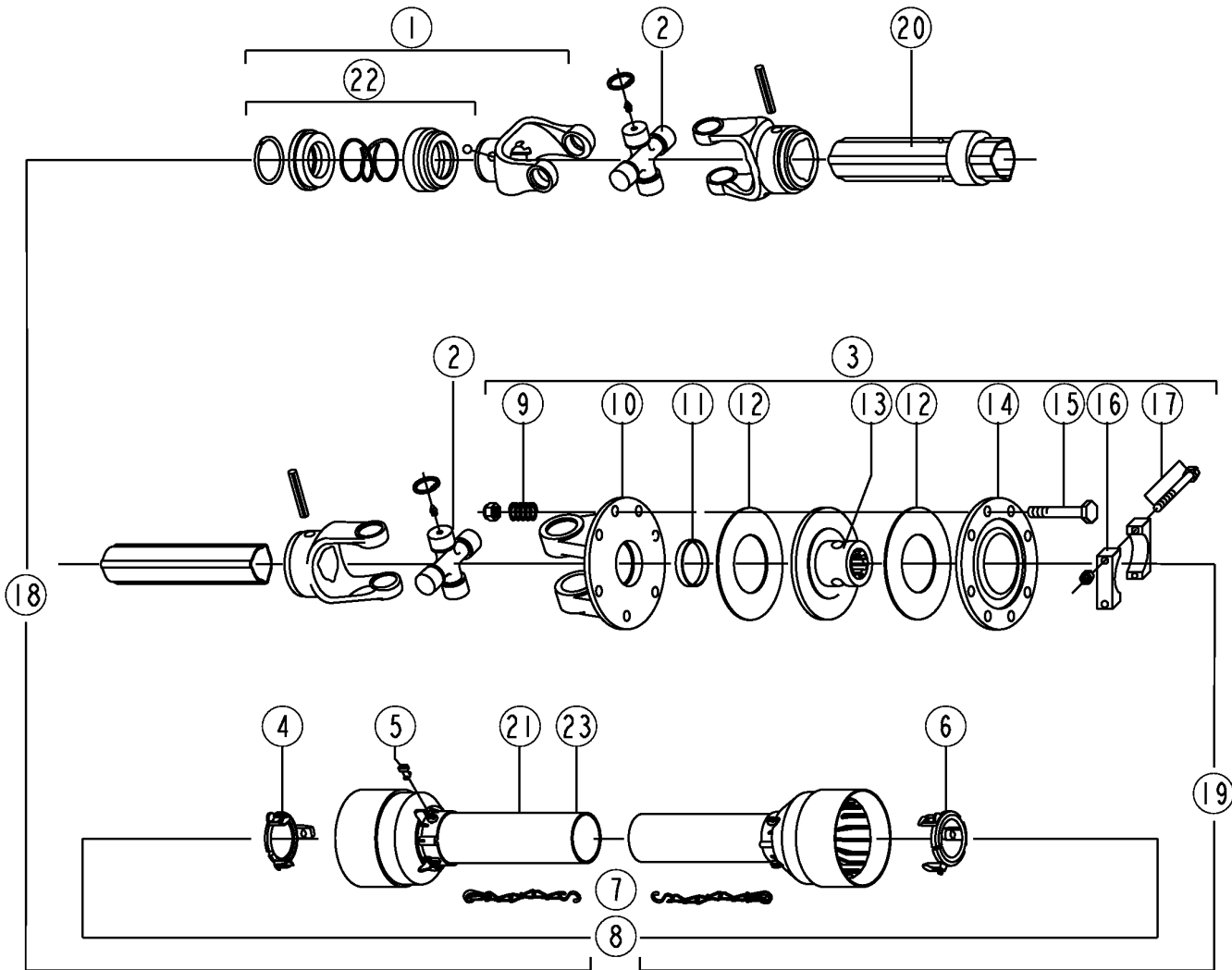
35167

Driveline Wing (826-770C) Comer**Applies to RC2515**

Ref	Part No.	Part Description	Comments	Revision
	Dwg 35167 826-770C	Drawing Image Number RPBY 826-822C *	Obsolete	
1.	141.024.430.1	CO COMPLETE COLLAR YOKE C12		
2.	180.014.130	CO CROSS JOURNAL SET		
3.	8146.241.056.1	CO COMPLETE FRICTION CLTCH F15		
4.	180.014.233	CO GRD COLLER OUTER TUBE		
5.	180.014.240	COMER BOLT		
6.	180.014.232	CO GRD COLLER INNER		
7.	180.016.790	CO SAFTEY CHAINS	(S/N 928934-)	
8.	142.2404967421	CO GUARD W/INSTRUCTION MANUAL		
9.	180.014.022	COMER SPRING		
10.	151.014.756.1	COMER FLANGED YOKE		
11.	180.019.019	COMER BUSH		
12.	180.015.377	COMER LINING RING		
13.	151.015.424.1	CO CLUTCH SUPPORT F15		
14.	180.015.021.1	CO PRESSURE PLATE		
15.	165.000.501	COMER NUT & BOLT M10X80		
16.	151.014.201	CO COMER BRIDGE		
17.	165.000.622	CO BOLT M14X1.5X100 & NUT		
18.	8123.340.367.11	CO HALF FEMALE SFT W/GUARDING		
19.	8123.440.720.11	CO HALF MALE SFT W/GUARDING		
20.	190.000.098	COMER DANGER LABEL OUTER TUBE		
21.	190.000.099	COMER DANGER LABEL GUARD OUTER		
22.	165.000.628	COMER COLL)R KIT 1-3/8 YOKE		

Driveline Wing W/ Clutch (826-822C) Comer

Applies to RC2515



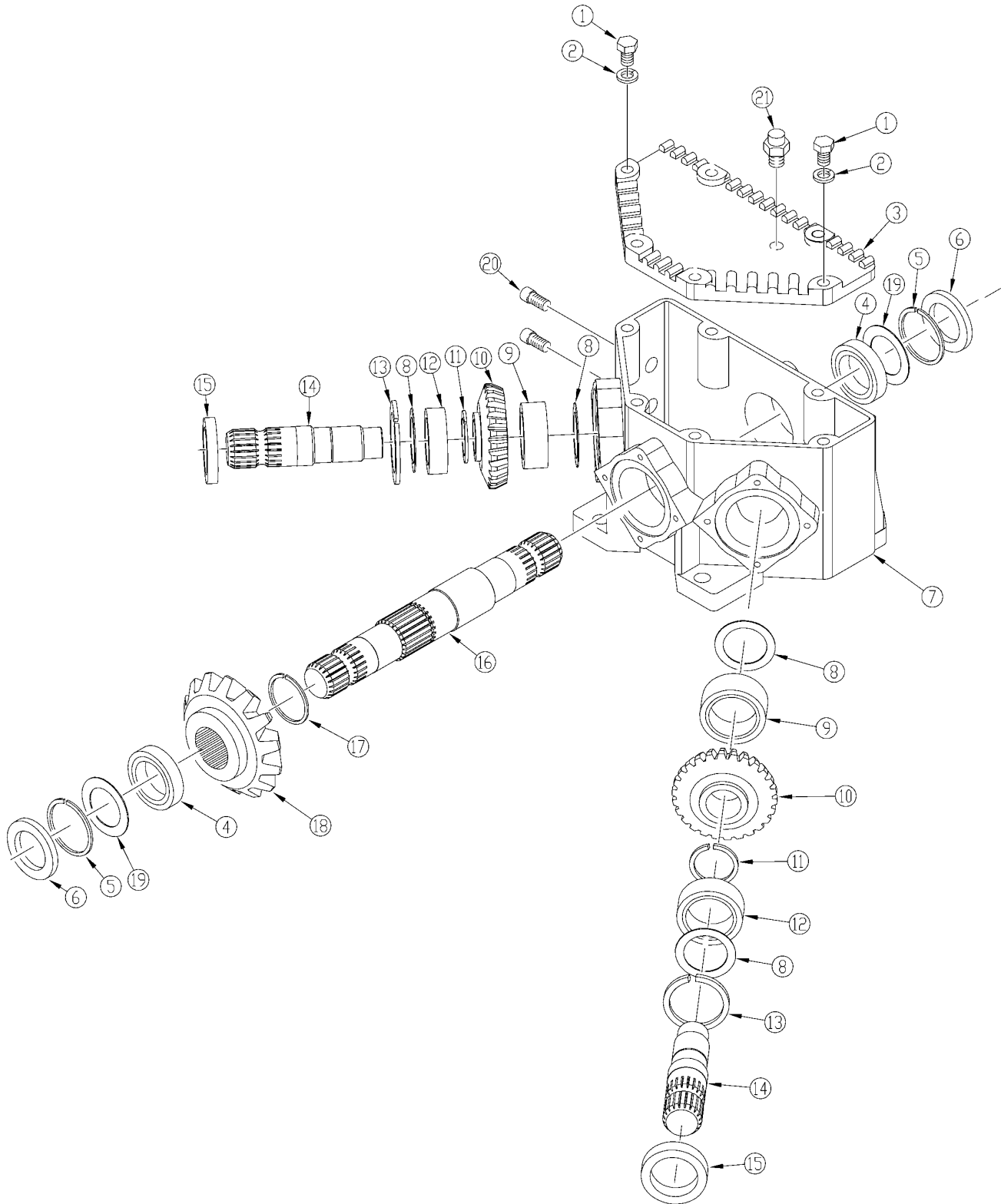
37504

Driveline Wing W/ Clutch (826-822C) Comer**Applies to RC2515**

Ref	Part No.	Part Description	Comments	Revision
	Dwg 37504 826-822C	Image No. DRIVELINE, WING W/CLUTCH *		
1.	141.024.430.1	CO COMPLETE COLLAR YOKE C12		
2.	180.014.625	CO CROSS JOURNAL SET		
3.	8146.241.056.1	CO COMPLETE FRICTION CLTCH F15		
4.	8180.014.233	RPBY 180.014.233	Obsolete	
5.	8180.014.240	RPBY 180.014.240		
6.	8180.014.232	RPBY 180.014.232	Obsolete	
7.	180.016.790	CO SAFTEY CHAINS	(S/N 928934-)	
8.	142.240.5097421	CO COMPLETE GUARD W/MANUAL		
9.	180.014.022	COMER SPRING		
10.	151.014.756.1	COMER FLANGED YOKE		
11.	180.019.019	COMER BUSH		
12.	180.015.377	RPBY 180.015.019		
13.	8151.015.424.1	CO SPECIAL HUB F15		
14.	180.015.021.1	CO PRESSURE PLATE		
15.	165.000.501	COMER NUT & BOLT M10X80		
16.	151.014.201	CO COMER BRIDGE		
17.	165.000.622	CO BOLT M14X1.5X100 & NUT		
18.	8123.340.379.11	CO HALF FEMALE SHFT W/GUARDING		
19.	8123.440.738.11	CO HALF MALE SHAFT W/GUARD		
20.	190.000.098	COMER DANGER LABEL OUTER TUBE		
21.	190.000.099	COMER DANGER LABEL GUARD OUTER		
22.	165.000.628	COMER COLLAR KIT 1 3/8 YOKE		
23.	190.000.902	CO LABEL W/CUSTOMER CODE		

Gearbox (826-280C) Comer

Applies to RC2515



18782

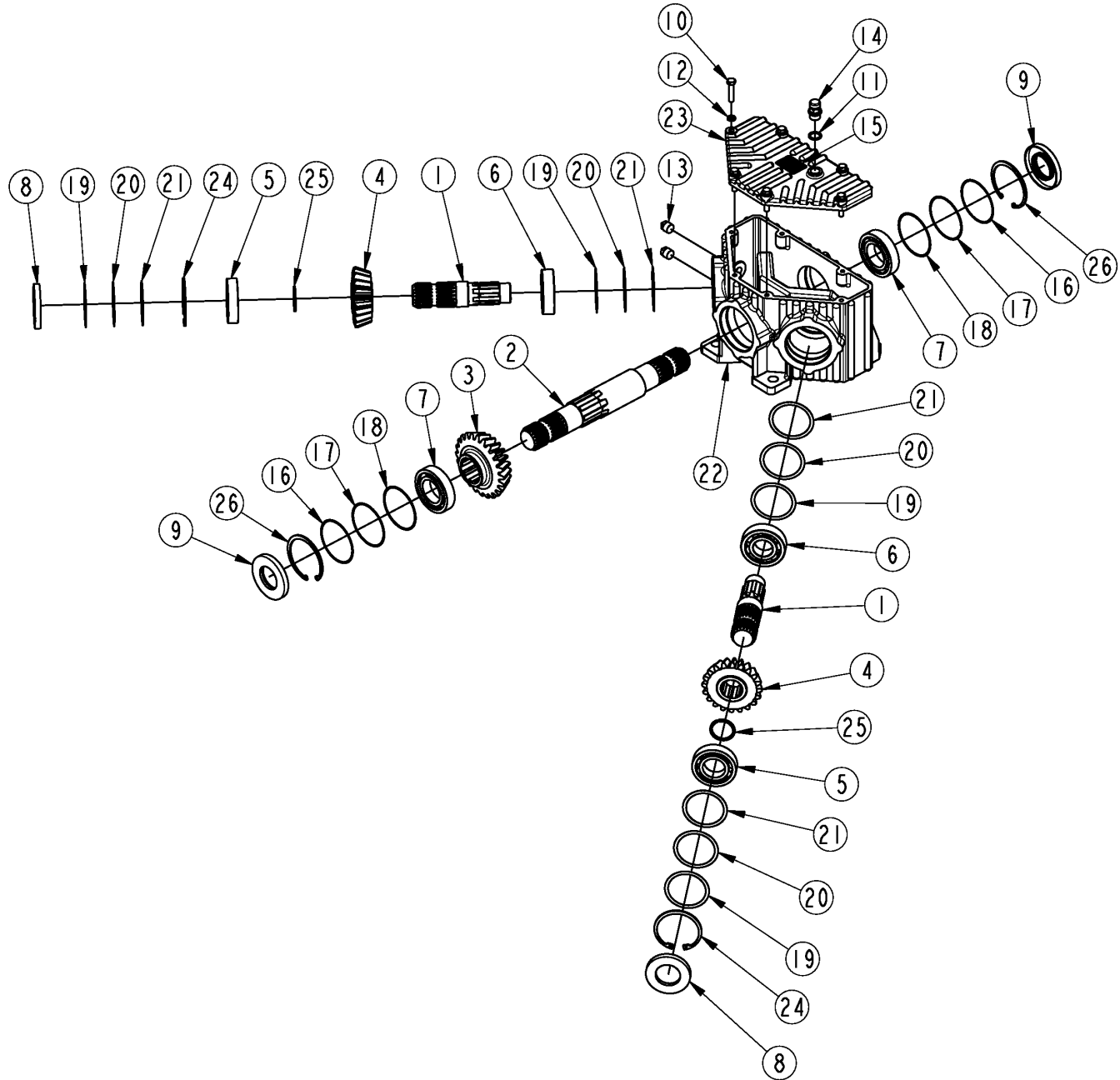
Gearbox (826-280C) Comer**Applies to RC2515**

Ref	Part No.	Part Description	Comments	Revision
	Dwg 18782 826-280C	Drawing Image Number DIV. SD/CO 540RPM SU *		
1.	8.1.1.00449	CO BOLT M8X30 8.8		
2.	8.3.7.00140	CO SPRING WASHER 8.4X13X1.2		
3.	0.265.1501.00	CO COVER T1		
4.	822-189C	BALL BEARING 6209		
5.	8.5.2.00332	CO SNAP RING UNI 7437		
6.	8.7.3.00331	CO OIL SEAL 45 X 85 X 10		
7.	0.265.0300.00	CO CASING		
8.	0.267.7500.00	CO SHIM 79.9		
9.	822-190C	BALL BEARING 6307		
10.	0.265.5203.00	CO PINION Z20		
11.	8.5.1.00680	CO SNAP RING 40 UNI 7436		
12.	822-188C	BALL BEARING 6208		
13.	8.5.2.00030	CO SNAP RING 80 UNI 7437		
14.	0.263.3002.00	CO SHAFT 1 3/4-20		
15.	8.7.3.00398	CO OIL SEAL 45 X 80 X 10		
16.	0.263.2004.00	CO SHAFT 1 3/4 Z20		
17.	8.5.3.01012	CO SNAP RING SW 47		
18.	0.263.5001.00	CO GEAR Z24		
19.	0.709.7500.00	CO SHIM 84.7		
20.	8.6.6.00201	CO PLUG 3/8 GAS		
21.	8.6.7.00269	CO 1/2" GAS BREATHER PLUG *		

Notes: Oil Type 80-90W Capacity 3.5 Pints

Gearbox (826-280C) SD Engineering

Applies to RC2515



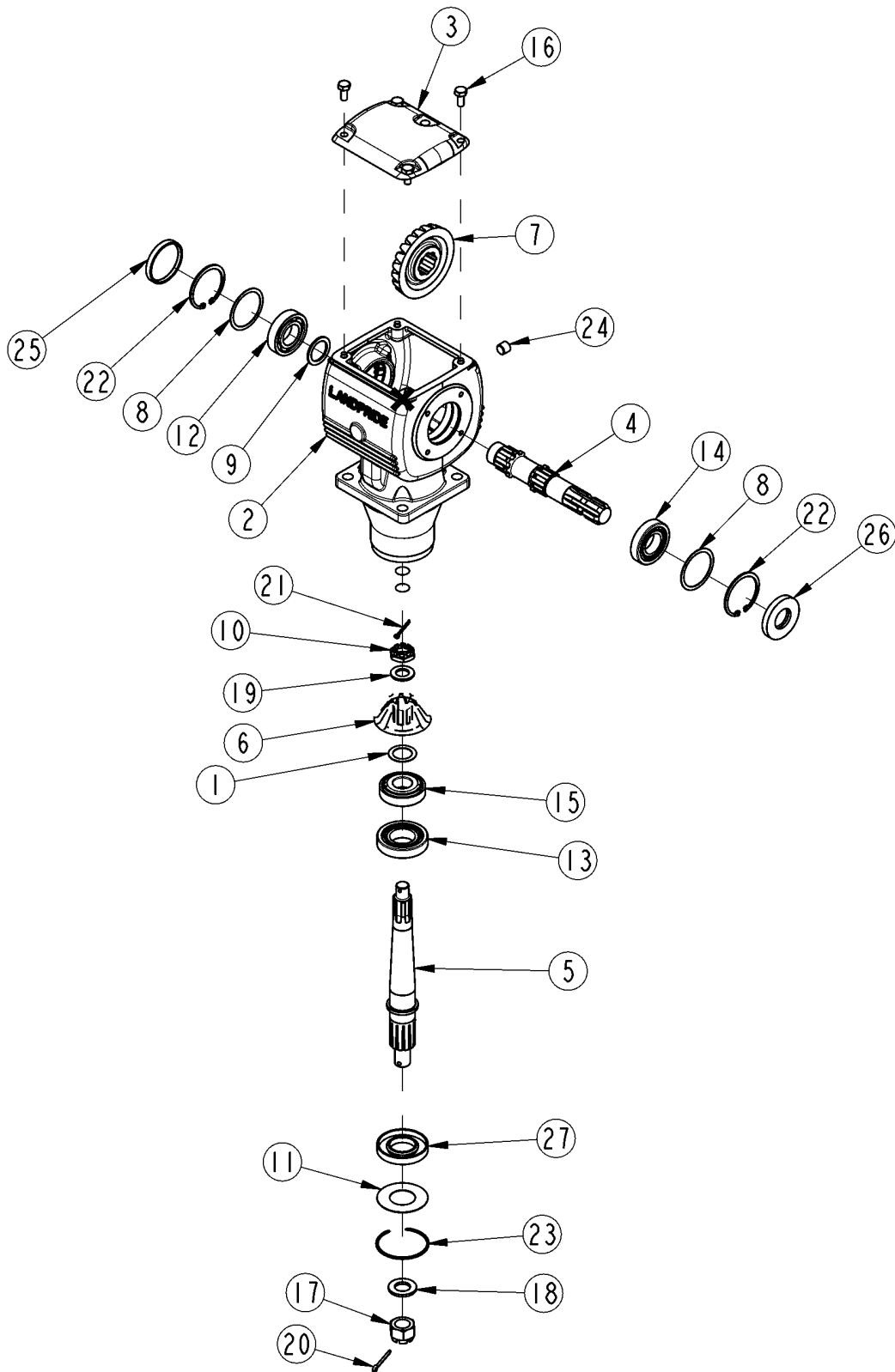
70945

Gearbox (826-280C) SD Engineering**Applies to RC2515**

Ref	Part No.	Part Description	Comments	Revision
	Dwg 70945 826-280C	Image No. DIV. SD/CO 540RPM SU *		
1.	02-223	SD OUTPUT SHAFT		
2.	02-222	SD THRU SHAFT		
3.	03-180	SD 24 TOOTH GEAR		
4.	03-181	SD 20 TOOTH GEAR		
5.	04-003	RPBY 822-188C		
6.	04-112	SD BALL BEARING 307		
7.	04-136	SD BALL BEARING 209		
8.	05-049	SD OIL SEAL 45X80X10		
9.	05-050	SD OIL SEAL 45X85X10		
10.	06-038	SD M8X1.25X40 HEX HEAD CAPP SW		
11.	07-022	ITG SEALING WASHER		
12.	07-025	SD M8 HELICAL SPRING LOCK WSHR		
13.	09-004	SD 3/8-18 NPT SQ HEAD PLUG	S/N 775017+	
13.	09-052	SD 3/8-19NPT SQ HEAD PLUG	S/N 775016-	
14.	09-011	ITG M18 X 1.5P PLUG VENTED	Vented plug	
14.	09-012	ITG M18 X 1.5P PLUG (NON-VENT)	Non-vented plug	
15.	13-210	SD LANDPRIDE I.D. TAG		
16.	17-042	SD SHIM (0.20)		
17.	17-043	SD SHIM (0.30)		
18.	17-044	SD SHIM (0.50)		
19.	17-045	SD SHIM (0.20)		
20.	17-046	SD SHIM (0.30)		
21.	17-047	SD SHIM (0.50)		
22.	18-120	SD HOUSING	Obsolete	
23.	20-124	SD INSPECTION CAP COVER		
24.	21-008	SD RETAINING RING		
25.	21-012	ITG RETAINING RING	S/N 775017+	
25.	21-018	SD 40DIA SHAFT RETAINING RING	S/N 775016-	
26.	21-037	SD RETAINING RING 85		

Gearbox (826-764C)

Applies to RC2515



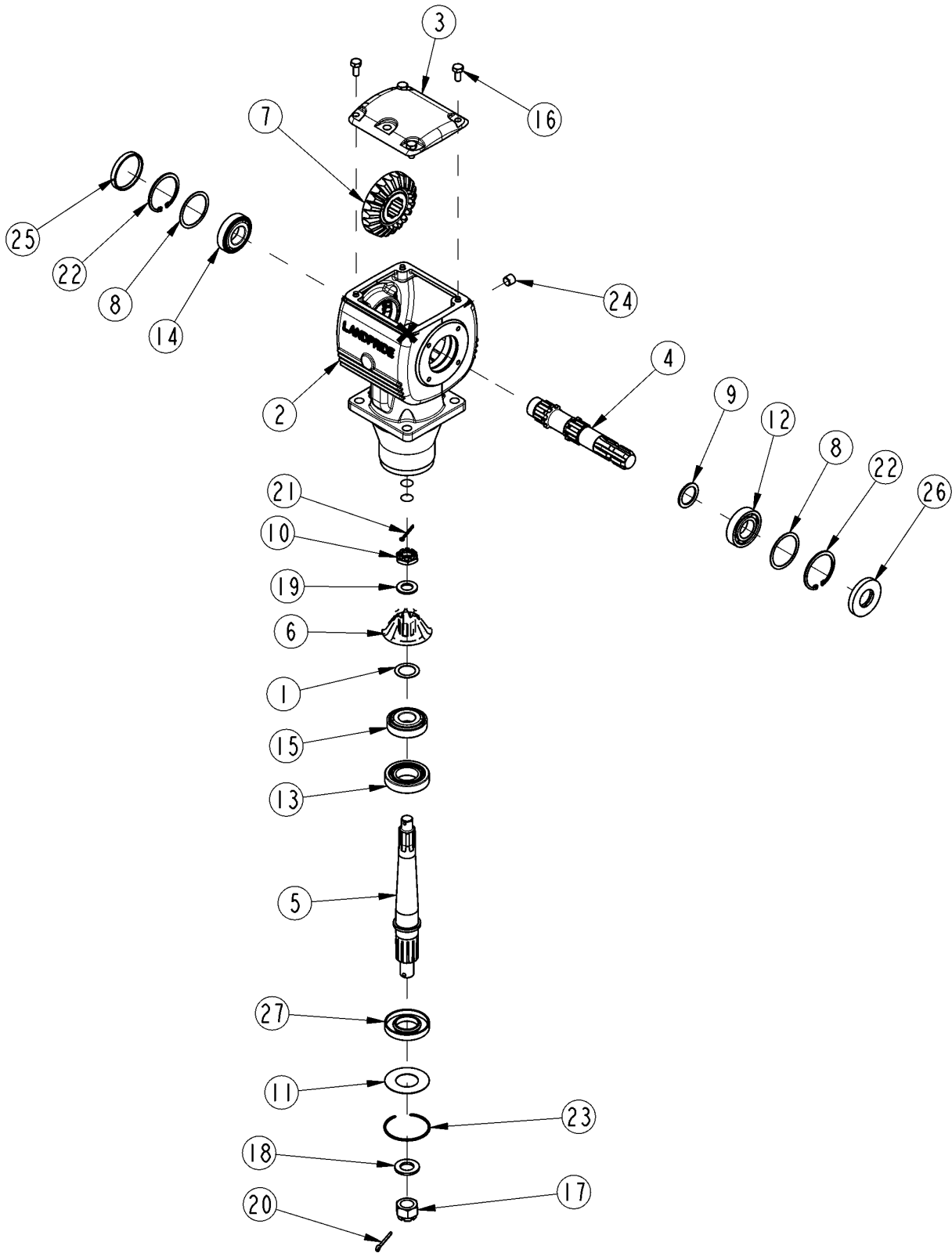
35156

Gearbox (826-764C)**Applies to RC2515**

Ref	Part No.	Part Description	Comments	Revision
	Dwg 35156 826-764C	Drawing Image Number GBOX RC25 1 3/8-6 1:1.47 STD *		
1.	0.102.7500.00	CO SHIM KIT (30.3X44)		
2.	0.209.0301.00	CO CASTING & MACHINING		
3.	0.209.1300.00	CO COVER		
4.	0.209.2004.00	CO 1"3/8 Z6 INPUT SHAFT		
5.	0.209.3001.00	CO OUTPUT SHAFT D.P. 8/16 Z12		
6.	0.240.5000.00	CO PINION GEAR Z15 M5.5		
7.	0.240.6000.00	CO CROWN GEAR Z22 M5.5		
8.	A.248.500	COMER SHIM KIT 71.7		
9.	0.259.7525.00	CO SHIM 35.3 X 48 X 2.5		
10.	0.289.7102.02	CO CASTLE NUT (M20X1)		
11.	1.135.7100.00	CO WASHER PROTECTIVE		
12.	822-166C	BRG BALL 1.37IDX2.83OD 6207		
13.	822-191C	BRG ROLLER 1.57IDX3.14OD SET		
14.	822-167C	BRG ROLLER 1.37IDX2.83OD SET		
15.	8.0.9.01049	CO RLR BRG 30306 (30X72X20.75)		
16.	8.1.1.00501	CO BOLT M10X22 HHB		
17.	8.2.2.00515	CO NUT, CASTLE M24 X 2		
18.	8.3.2.00409	CO FLAT WASHER 25 X 44 X 4		
19.	8.3.2.00531	CO FLAT WASHER (21X37X3)		
20.	826-487C	COMER 8.4.7.00516 COTTER		
21.	8.4.7.00823	COTTER PIN (4X40)		
22.	8.5.2.00131	CO SNAP RING INT 72 UN17437		
23.	8.5.3.00955	CO SNAP RING SB 81		
24.	8.6.6.00201	CO PLUG 3/8 GAS (SOLID PLUG)		
25.	8.7.0.00744	CO CAP 72 X 10		
26.	8.7.1.00152	OIL SEAL, 35 X 72 X 12/10		
27.	8.7.1.00748	CO DOUBLE LIP SEAL 40X80X12		

Gearbox (826-765C)

Applies to RC2515



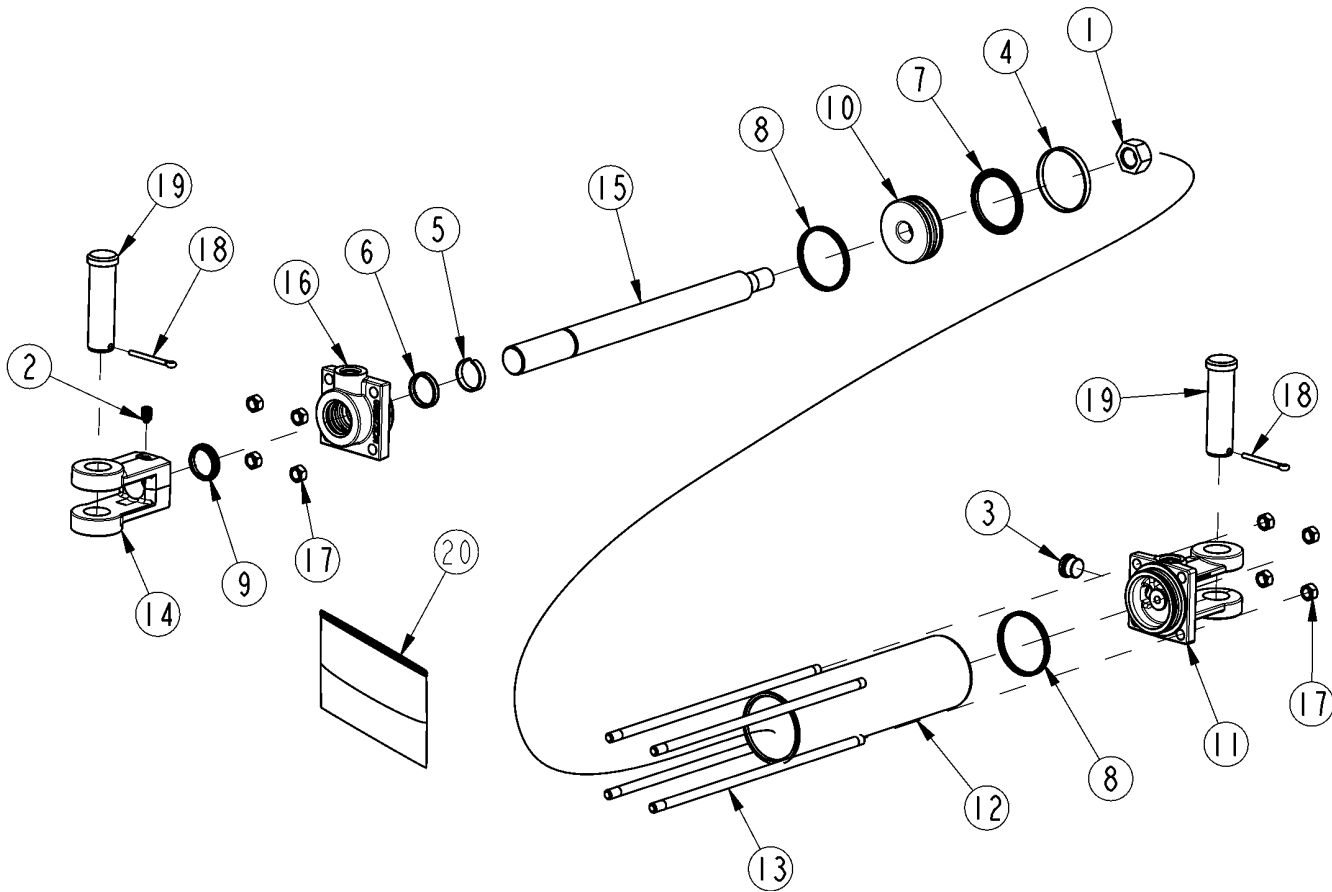
35157

Gearbox (826-765C)**Applies to RC2515**

Ref	Part No.	Part Description	Comments	Revision
	Dwg 35157 826-765C	Drawing Image Number GBOX RC25 1.38-6 1:1.47 REV *		
1.	0.102.7500.00	CO SHIM KIT (30.3X44)		
2.	0.209.0301.00	CO CASTING & MACHINING		
3.	0.209.1300.00	CO COVER		
4.	0.209.2004.00	CO 1"3/8 Z6 INPUT SHAFT		
5.	0.209.3001.00	CO OUTPUT SHAFT D.P. 8/16 Z12		
6.	0.240.5000.00	CO PINION GEAR Z15 M5.5		
7.	0.240.6000.00	CO CROWN GEAR Z22 M5.5		
8.	A.248.500	COMER SHIM KIT 71.7		
9.	0.259.7525.00	CO SHIM 35.3 X 48 X 2.5		
10.	0.289.7102.02	CO CASTLE NUT (M20X1)		
11.	1.135.7100.00	CO WASHER PROTECTIVE		
12.	822-166C	BRG BALL 1.37IDX2.83OD 6207		
13.	822-191C	BRG ROLLER 1.57IDX3.14OD SET		
14.	822-167C	BRG ROLLER 1.37IDX2.83OD SET		
15.	8.0.9.01049	CO RLR BRG 30306 (30X72X20.75)		
16.	8.1.1.00501	CO BOLT M10X22 HHB		
17.	8.2.2.00515	CO NUT, CASTLE M24 X 2		
18.	8.3.2.00409	CO FLAT WASHER 25 X 44 X 4		
19.	8.3.2.00531	CO FLAT WASHER (21X37X3)		
20.	826-487C	COMER 8.4.7.00516 COTTER		
21.	8.4.7.00823	COTTER PIN (4X40)		
22.	8.5.2.00131	CO SNAP RING INT 72 UN17437		
23.	8.5.3.00955	CO SNAP RING SB 81		
24.	8.6.6.00201	CO PLUG 3/8 GAS (SOLID PLUG)		
25.	8.7.0.00744	CO CAP 72 X 10		
26.	8.7.1.00152	OIL SEAL, 35 X 72 X 12/10		
27.	8.7.1.00748	CO DOUBLE LIP SEAL 40X80X12		

Hydraulic Cylinder (810-865C)

Applies to RC2515



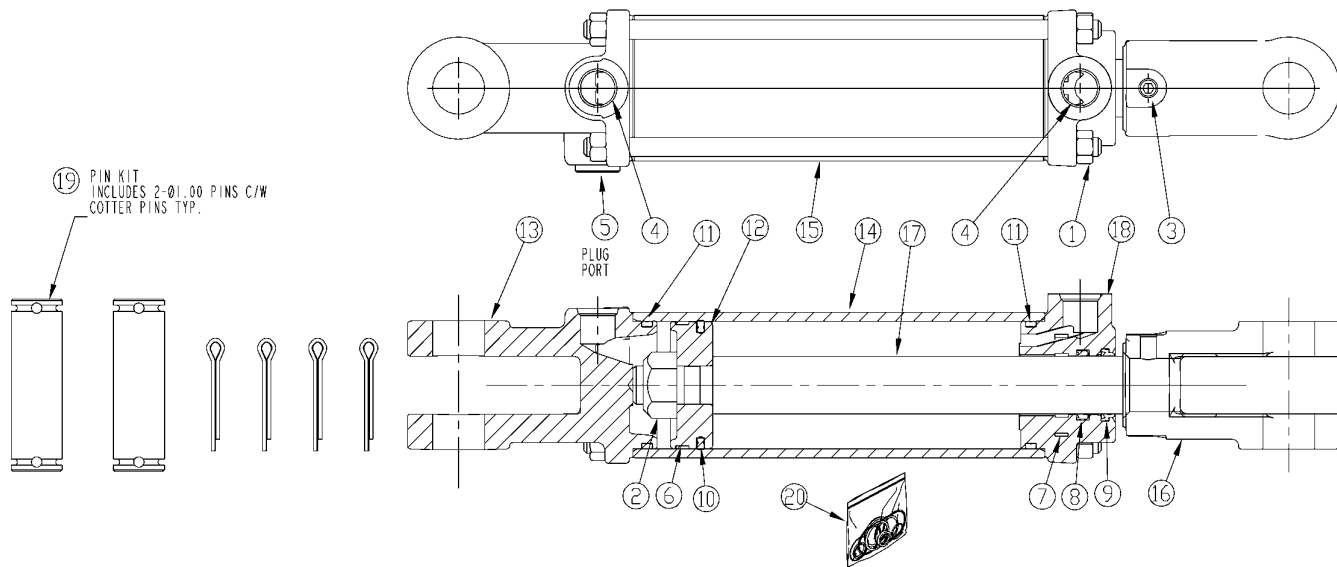
35494

Hydraulic Cylinder (810-865C)**Applies to RC2515**

Ref	Part No.	Part Description	Comments	Revision
	Dwg 35494 810-865C	Drawing Image Number CYL 2.5X8X1.12 ROD (TIE) *		
1.	130556	MON PISTON NUT		
2.	148000	MON SET SCREW 3/8INC ONE PIECE		
3.	186562	LION PLUG 3/4-16UNF SOCKET HD		
4.	N/A	MON WEAR RING 2.50-2.38-0.250	Found in Seal Kit #20	
5.	N/A	MON WEAR RING 1.25-1.13-0.250	Found in Seal Kit #20	
6.	N/A	MON SEAL ZURCON U-CUP RU9 1.13	Found in Seal Kit #20	
7.	N/A	MON SEAL ZURCON WYNSEAL 2.50	Found in Seal Kit #20	
8.	N/A	MON SEAL DUAL 2.50	Found in Seal Kit #20	
9.	N/A	MON SEAL WIPER 1.13 WNUC TSS	Found in Seal Kit #20	
10.	258818	MON PISTON 2.50-.750-TSS-ISO-WR		
11.	292674	MON CLEVIS CAP 2.50-3/4ORB-1.0		
12.	491668	LION CYL. TUBE 2.5 X 8		
13.	492218	LION TIE ROD 3/8, 8 CYL		
14.	492650	LION ROD CLEVIS 1 1/8-12UNF		
15.	492699	LION ROD 1.125 ASAE 8		
16.	494273	MON RODCAP 2.50-1.12-3/4ORB-TSS		
17.	803-014C	NUT HEX 3/8-16 PLT		
18.	805-017C	PIN COTTER 3/16 X 1 3/4 PLT		
19.	805-090C	PIN CLVS 1.0X3.20 USBL		
20.	810-886C	MON SEAL KIT 661701		

Hydraulic Cylinder (810-908C)

Applies to RC2515

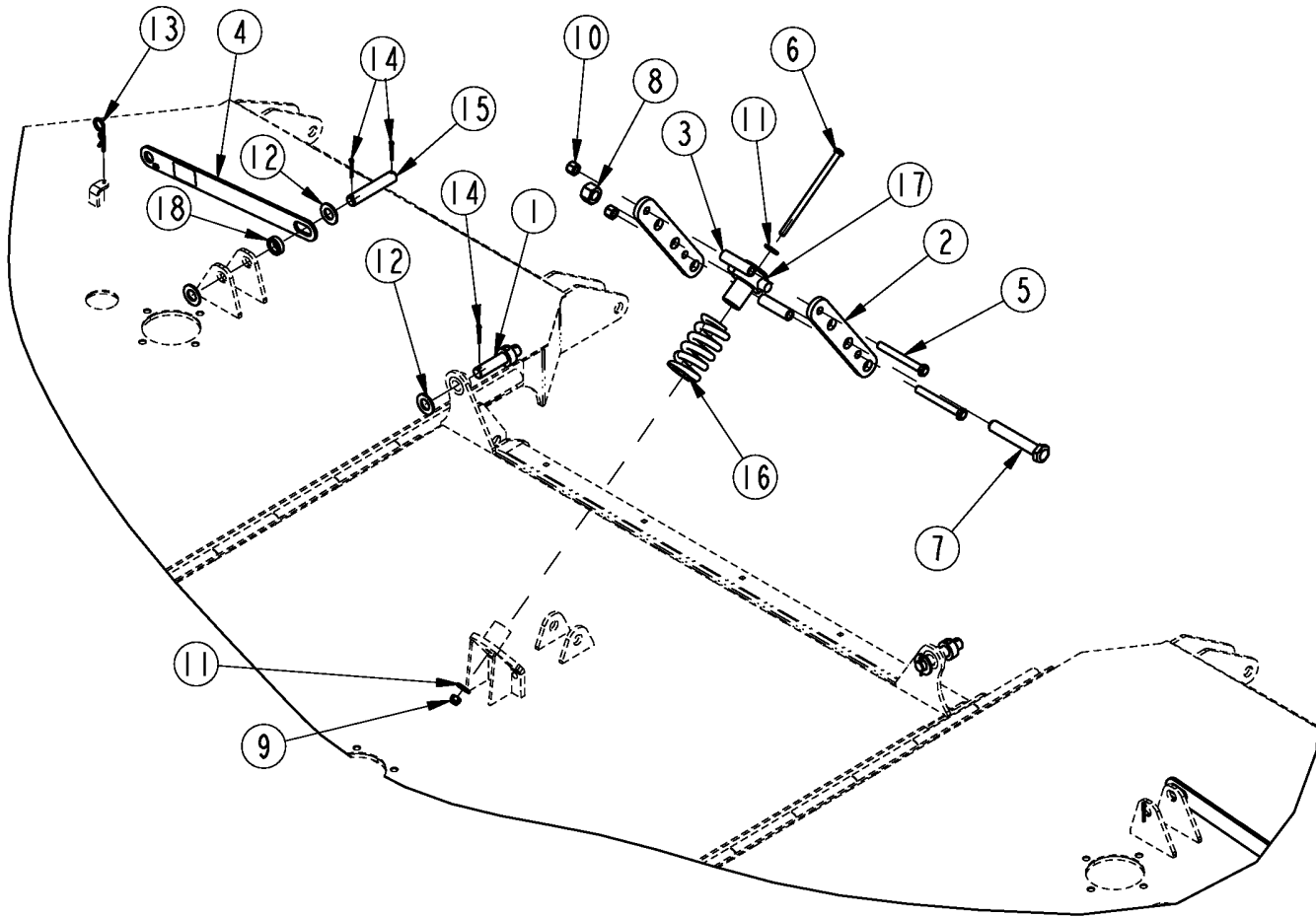


Hydraulic Cylinder (810-908C)**Applies to RC2515**

Ref	Part No.	Part Description	Comments	Revision
	Dwg 35495 810-908C	Drawing Image Number CYL 2.5X10X1.12 ROD (TIE) *		
1.	803-014C	NUT HEX 3/8-16 PLT		
2.	130556	MON PISTON NUT		
3.	148000	MON SET SCREW 3/8INC ONE PIECE		
4.	174136	MON THD PROT 3/4-16UN ORB ZINC		
5.	186562	LION PLUG 3/4-16UNF SOCKET HD		
6.	N/A	MON WEAR RING 2.50-2.38-0.250	Found in Seal Kit #20	
7.	N/A	MON WEAR RING 1.25-1.13-0.250	Found in Seal Kit #20	
8.	N/A	MON SEAL ZURCON U-CUP RU9 1.13	Found in Seal Kit #20	
9.	N/A	MON SEAL WIPER 1.13 WNUC TSS	Found in Seal Kit #20	
10.	N/A	MON SEAL ZURCON WYNSEAL 2.50	Found in Seal Kit #20	
11.	N/A	MON SEAL DUAL 2.50	Found in Seal Kit #20	
12.	258818	MON PISTON2.50-.750-TSS-ISO-WR		
13.	292674	MON CLEVIS CAP 2.50-3/4ORB-1.0		
14.	491670	LION TUBE		
15.	492220	LION TIE ROD		
16.	492650	LION ROD CLEVIS 1 1/8-12UNF		
17.	492852	ROD CYL 1.12-10-0.75-1.12		
18.	494273	MON ROD CAP2.50-1.12-3/4ORB-TSS		
19.	235005	MON PIN KIT 1.00C/W COTTER PIN		
20.	810-886C	MON SEAL KIT 661701		

Hydraulic Cylinder Mounting & Wing Lock

Applies to RC2515



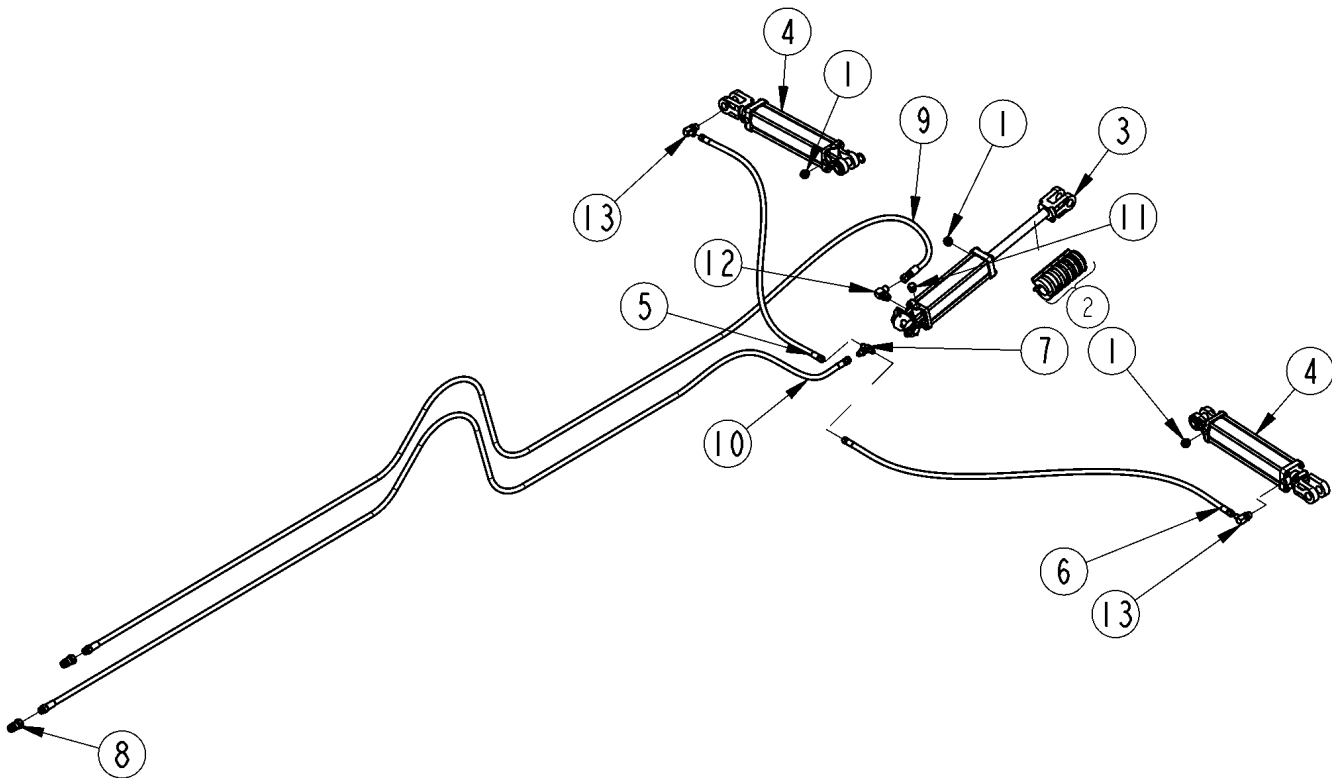
35151

Hydraulic Cylinder Mounting & Wing Lock**Applies to RC2515**

Ref	Part No.	Part Description	Comments	Revision
	Dwg 35151	Drawing Image Number		
1.	318-018H	WLDMT. CYLINDER PIN		
2.	330-291D	TRUNNION ARM		
3.	330-294D	SPACER TRUNNION ARM		
4.	330-735S	TRANSPORT BAR W/ DECALS		
5.	802-254C	HHCS 5/8-11X5 1/2 GR5		
6.	802-269C	HHCS 1/2-13X9 GR5		
7.	802-715C	HHB 1-8X6 GR8 PLT SPTHD		
8.	803-038C	NUT HEX 1-8 NYLON INSERT PLT		
9.	803-147C	NUT HEX NYLOCK 1/2-13		
10.	803-148C	NUT HEX NYLOCK 5/8-11 PLT		
11.	804-017C	WASHER FLAT 1/2 USS PLT		
12.	804-029C	WASHER FLAT 1 SAE		
13.	805-088C	PIN, HAIR COTTER 3/16 WIRE DIA		
14.	805-104C	PIN COTTER 3/16 X 1 1/2 PLT		
15.	805-229C	PIN CLVS HDLS 1.0X4.88 USBL		
16.	807-271C	SPRING COMP 3.20OD .63W 5.5L		
17.	812-388C	SWIVEL CAST		
18.	827-001C	SPACER 1/2		

Hydraulic Lift Plumbing Dual Remote

Applies to RC2515



35152

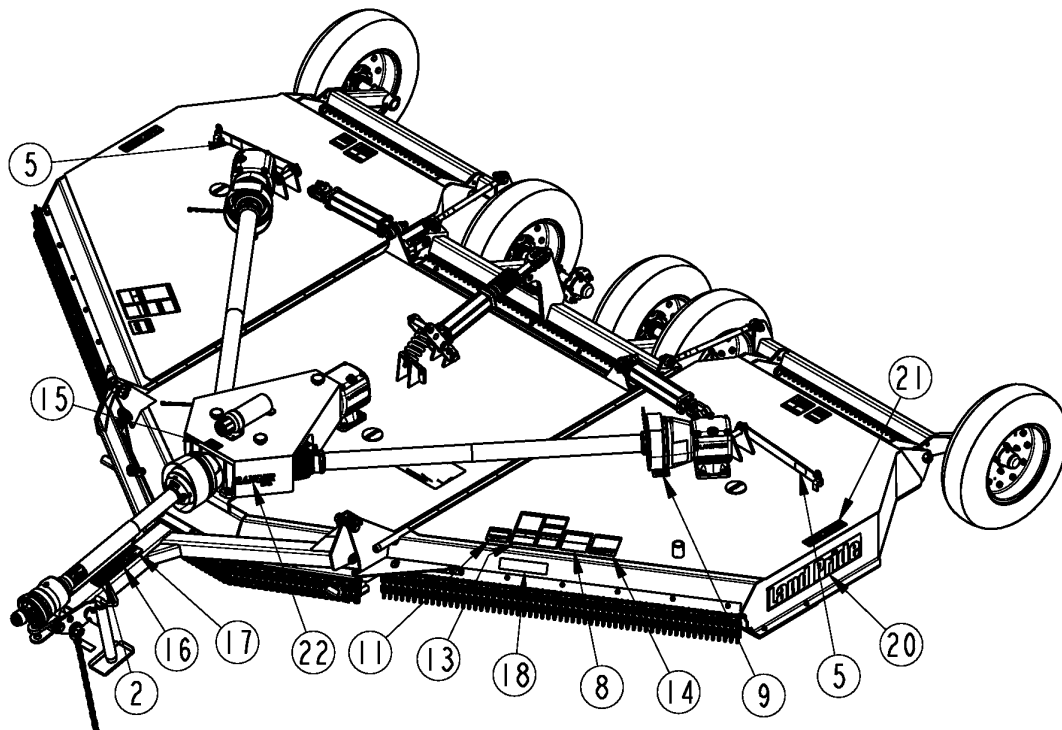
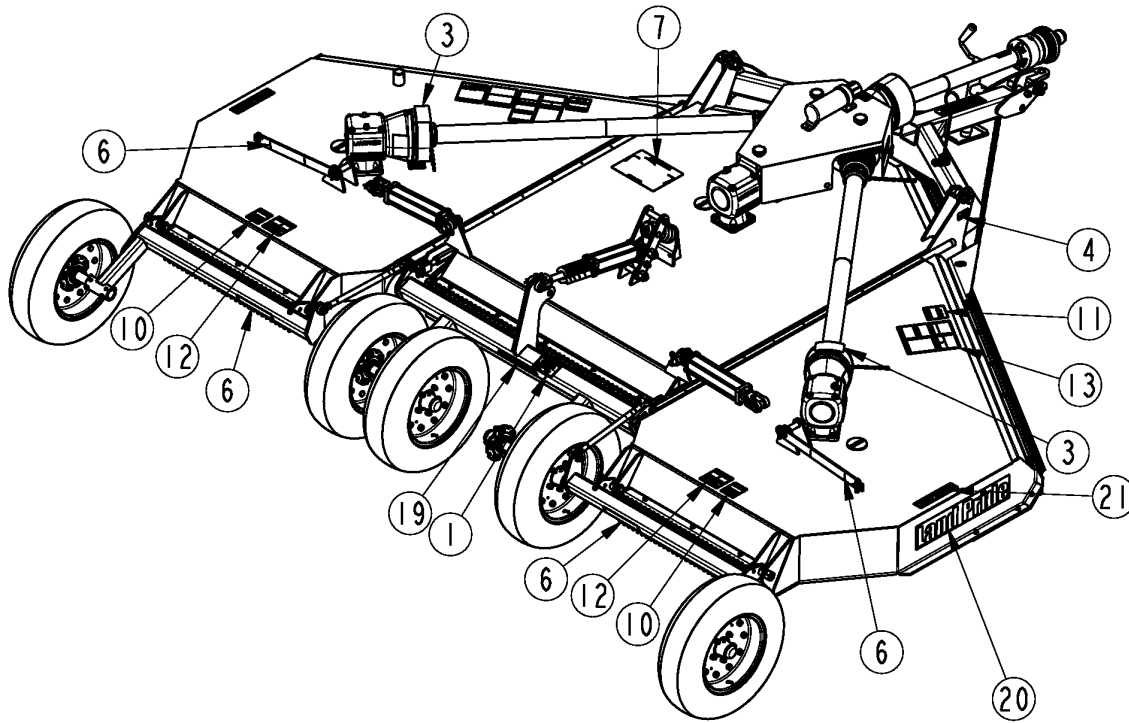
Hydraulic Lift Plumbing Dual Remote

Applies to RC2515

Ref	Part No.	Part Description	Comments	Revision
	Dwg 35152	Drawing Image Number		
1.	800-094C	FILL PLUG VENTED 3/4-16 PLT		
2.	810-818C	STRK CNTRL SPCRS 1.125 TO 1.50		
3.	810-865C	CYL 2.5X8X1.12 ROD (TIE)		
4.	810-908C	CYL 2.5X10X1.12 ROD (TIE)		
5.	811-180C	HH1/4R1 057 9/16FJIC		
6.	811-180C	HH1/4R1 057 9/16FJIC		
7.	811-356C	TE 9/16MJIC BH 9/16MJIC 9/16MJ		
8.	811-394C	CP 3/4FORB MALE QD POPPET TYPE		
9.	811-619C	HH3/8R1 168 3/4MORB 3/4FJIC		
10.	811-633C	HH3/8R1 162 3/4MORB 9/16 FJIC		
11.	811-857C	PL 3/4MORB		
12.	841-205C	OREL 1/32 3/4MJIC 3/4MORB		
13.	841-284C	OREL 1/16 9/16MJIC 3/4MORB		

Decal Placement

Applies to RC2515



35153

Decal Placement**Applies to RC2515**

Ref	Part No.	Part Description	Comments	Revision
	Dwg 35153	Drawing Image Number		
1.	818-045C	DECAL WARNING PINCH PT/CRUSH		
2.	818-130C	DECAL WARNING 540 RPM		
3.	818-142C	DECAL DANGER PTO DRIVELINE EN		
4.	818-190C	DECAL FLAG		
5.	818-229C	DECAL AMBER REFLECTOR		
6.	838-614C	DECAL REFLECTOR RED 2X9		
7.	818-268C	DECAL BLADE ROTATION		
8.	818-276C	DECAL WARNING OPERATING ANGLE		
9.	818-543C	DECAL DANGER PD GUARD MISS SML		
10.	818-556C	DECAL DANGER THROWN OBJ CUTTER		
11.	818-561C	DECAL DANGER RAISED WING HAZAR		
12.	818-555C	DECAL DANGER ROTATE BLADE		
12.	818-564C	RPBY 818-555C	Obsolete	
13.	818-830C	DECAL SAFETY COMBO SUNWEST		
14.	818-840C	DECAL DANGER ROLLOVER HAZARD		
15.	818-862C	DECAL 5 YEAR GEARBOX WARRANTY		
16.	838-094C	DECAL WARNING HYD PRESS LONG		
17.	838-588C	FOLDING CUTTER SPEED WARNING		
18.	838-615C	DECAL REFLECTOR AMBER 2X9		
19.	848-159C	DECAL LANDPRIDE 10" BROWN/GOLD		
20.	848-631C	DECAL LANDPRIDE 24" GREEN	S/N _____ -	
20.	848-128C	DECAL LANDPRIDE 25-GOLD	S/N _____ +	
21.	848-949C	DECAL RC2515 GREEN	S/N _____ -	
21.	848-950C	DECAL RC2515 GOLD	S/N _____ +	
22.	858-065C	DECAL RANGER GREEN	Beige & Green Unit	
22.	858-066C	DECAL RANGER ORANGE	Orange Unit	
22.	858-064C	DECAL RANGER	Red Unit	

Touch-up Paints - LP

Applies to RC2515

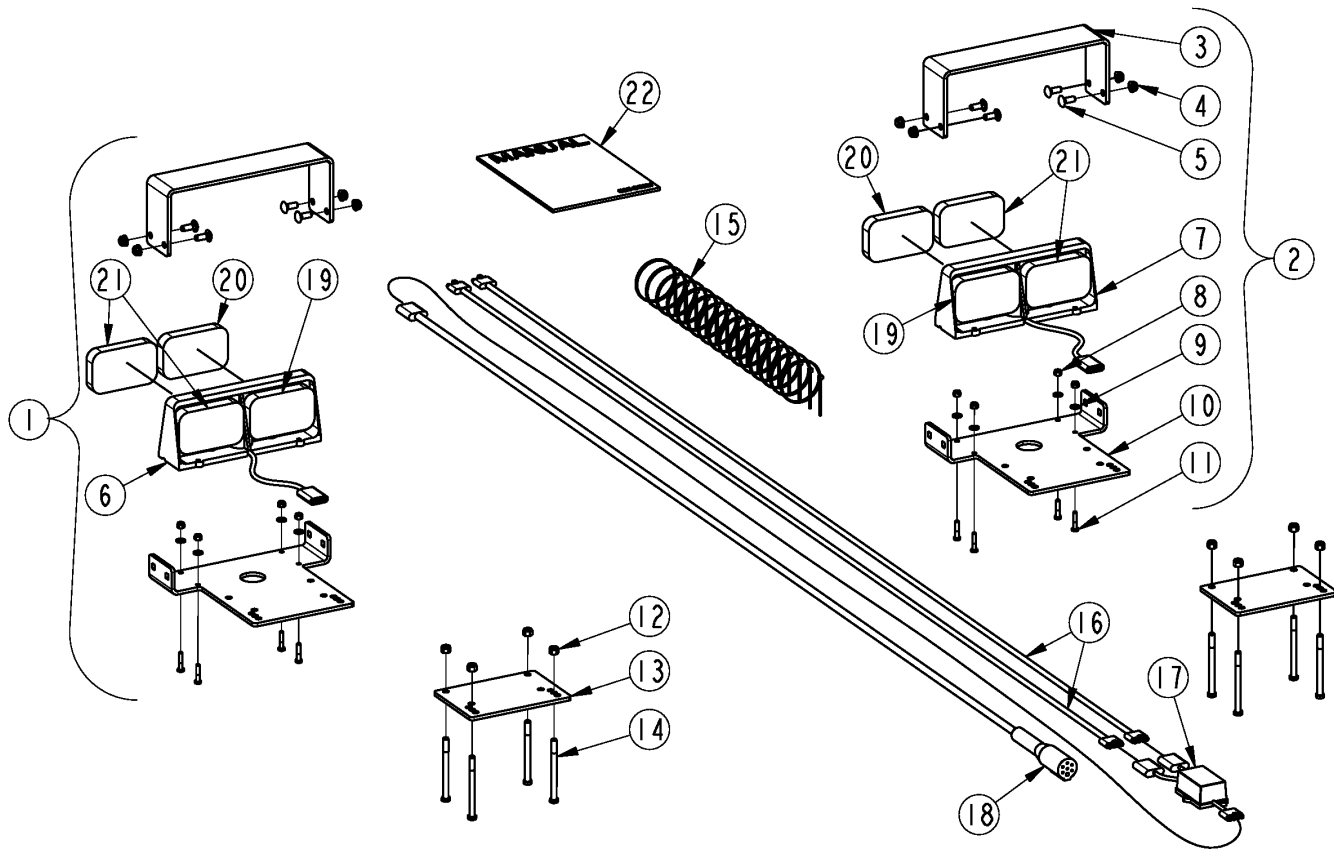
No diagram associated with this Parts List

Touch-up Paints - LP**Applies to RC2515**

Ref	Part No.	Part Description	Comments	Revision
1.	821-011C	LP BEIGE SPRAY CAN	Spray can	
1.	821-011CTU	LP BEIGE TOUCH-UP 5OZ	Touch-up bottle with brush	
1.	821-011CQT	LP BEIGE QUART	Quart can	
1.	821-011CGL	LP BEIGE GALLON	Gallon can	
2.	821-070C	GLOSS BLACK SPRAY CAN	Spray can	
2.	821-070CTU	GLOSS BLACK TOUCH-UP 5OZ	Touch-up bottle with brush	
2.	821-070CQT	GLOSS BLACK QUART	Quart can	
2.	821-070CGL	GLOSS BLACK GALLON	Gallon can	
3.	821-054C	MED. RED SPRAY TRCK/CTR	Spray can	
3.	821-054CTU	MED RED TOUCH-UP 5OZ	Touch-up bottle with brush	
3.	821-054CQT	MED RED QUART	Quart can	
3.	821-054CGL	MED RED GALLON	Gallon can	
4.	821-058C	GREEN SPRAY CUTTERS	Spray can	
4.	821-058CTU	GREEN TOUCH-UP 5OZ	Touch-up bottle with brush	
4.	821-058CQT	GREEN QUART	Quart can	
4.	821-058CGL	GREEN GALLON	Gallon can	
5.	821-066C	ORANGE SPRAY CAN	Spray can	
5.	821-066CTU	ORANGE TOUCH-UP 5OZ	Touch-up bottle with brush	
5.	821-066CQT	ORANGE QUART	Quart can	
5.	821-066CGL	ORANGE GALLON	Gallon can	
6.	821-067C	BLUE SPRAY CAN	Spray can	
6.	821-067CTU	BLUE TOUCH-UP 5OZ	Touch-up bottle with brush	
6.	821-067CQT	BLUE QUART	Quart can	
6.	821-067CGL	BLUE GALLON	Gallon can	
7.	821-080C	PAINT ALUMINUM/ZINC SPRAY CAN	Spray can	
7.	821-080CTU	PAINT ALUMINUM/ZINC TOUCH UP	Touch-up bottle with brush	
7.	821-080CQT	PAINT ALUMINUM/ZINC QUART	Quart can	
7.	821-080CGL	PAINT ALUMINUM/ZINC GALLON	Gallon can	

Lights 2.5 Inch (LED)

Applies to RC2515

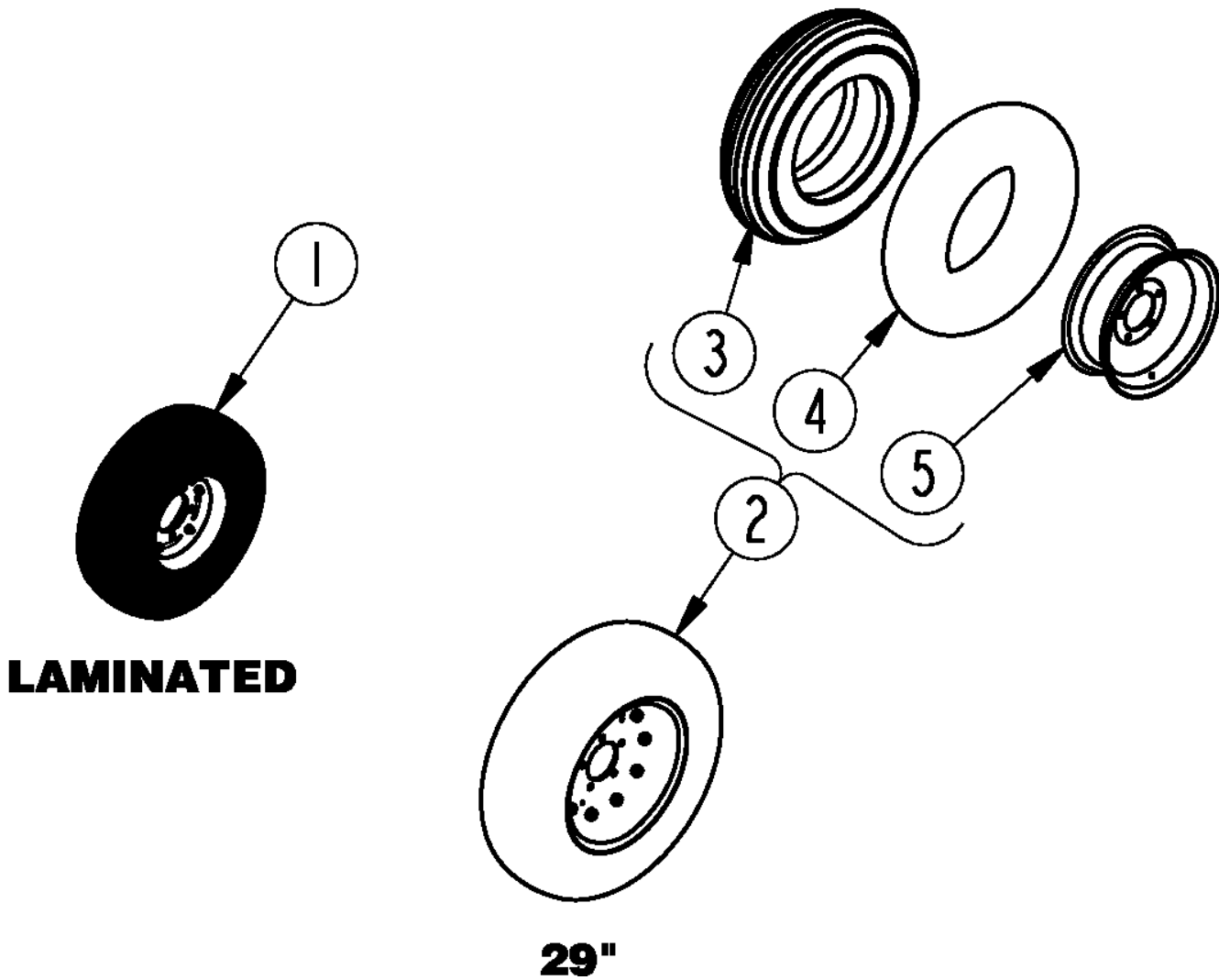


Lights 2.5 Inch (LED)**Applies to RC2515**

Ref	Part No.	Part Description	Comments	Revision
	Dwg 37671 334-576A	Image No. FOLDING CUTTER LIGHT KIT 2.5" *	S/N 1150617- Lights were optional	
1.	331-471S	RH LIGHT ASSY	Includes Items 3, 4, 5, 6, 8, 9, 10, & 11	
2.	331-472S	LH LIGHT ASSY	Includes Items 3, 4, 5, 7, 8, 9, 10, & 11	
3.	330-966D	LIGHT GUARD		
4.	803-209C	NUT FLANGE LOCK 3/8-16 PLT		
5.	802-015C	RHSNB 3/8-16X1 GR5		
6.	891-523C	DUAL LED LIGHT RH	Includes items 19, 20, & 21	
7.	891-522C	DUAL LED LIGHT LH	Includes items 19, 20, & 21	
8.	803-255C	NUT HEX NYLOCK 1/4-20		
9.	804-007C	WASHER FLAT 1/4 SAE PLT		
10.	330-965D	LIGHT MNT		
11.	802-224C	HHCS 1/4-20X1 1/4 GR5		
12.	803-078C	NUT LOCK 3/8-16 NYLON INSERT		
13.	330-967D	LIGHT MNT CLAMP		
14.	802-223C	HHCS 3/8-16X4 GR5		
15.	800-060C	CABLE TIE .19X14.25 3DIA 50LB		
16.	891-529C	LIGHT WIRE HARNESS 8'		
17.	891-531C	ENHANCE MODULE		
18.	891-532C	LEAD WIRE HARNESS 8'		
19.	J-AC1-15-B	BLACK LENS COVER	Black lens	
20.	J-37-R	RED LED LENS MODULE	Red lens	
21.	J-37-A	AMBER LED LENS MODULE	Amber lens	
22.	334-574M	ROTARY CUTTER LIGHT KIT MANUAL		

Tire Options

Applies to RC2515



Tire Options

Applies to RC2515

Ref	Part No.	Part Description	Comments	Revision
	Dwg 39060	Drawing Image Number		
1.	814-265C	TIRE & WHL LAM. 6X9X21(5-BOLT)		
2.	814-449C	TIRE, AC 29" 16 PLY 5 BOLT		
3.	814-450C	TIRE H29X9.0X15 USED		
4.	814-451C	TUBE FOR 29X9.0-15		
5.	814-461C	RIM 2PC 5BLT 15X6.5		



Part Number Index

The Part Number Index is a numeric index of all part numbers included in this manual. The index shows what page(s) the part is used on.

Part Number	Page	Part Number	Page	Part Number	Page	Part Number	Page
0.102.7500.00	49, 51	180.015.377	35, 39, 41, 43	330-990H81	11	802-015C	17, 27, 29, 31,
0.209.0301.00	49, 51	180.016.790	41, 43	330-990H82	11		33, 65
0.209.1300.00	49, 51	180.019.019	35, 39, 41, 43	330-990H83	11	802-017C	13
0.209.2004.00	49, 51	186562	53, 55	330-992H	21	802-057C	9, 11
0.209.3001.00	49, 51	19-15134	37	330-993H	11	802-074C	13
0.240.5000.00	49, 51	190.000.012	35, 39	330-993H81	11	802-079C	11
0.240.6000.00	49, 51	190.000.020	35, 39	330-993H82	11	802-096C	13
0.259.7525.00	49, 51	190.000.098	41, 43	330-993H83	11	802-098C	13, 19, 21
0.263.2004.00	45	190.000.099	41, 43	330-995H	21	802-099C	19, 21, 23
0.263.3002.00	45	190.000.902	43	330-996L	11	802-106C	9
0.263.5001.00	45	20-124	47	330-997H	11	802-116C	13
0.265.0300.00	45	200-001D	23, 25	330-998H	13	802-155C	31
0.265.1501.00	45	21-008	47	331-001S	15	802-212C	15
0.265.5203.00	45	21-012	47	331-068H	7	802-223C	17, 65
0.267.7500.00	45	21-018	47	331-087A	27	802-224C	17, 65
0.289.7102.02	49, 51	21-037	47	331-088A	29	802-254C	57
0.709.7500.00	45	235005	55	331-089A	31	802-269C	57
02-222	47	258818	53, 55	331-090A	33	802-277C	7
02-223	47	26-15120	37	331-091K	27	802-314C	9, 11
03-10326	37	26-15159	37	331-092K	27	802-603C	11
03-15450	37	292674	53, 55	331-095K	29	802-715C	57
03-180	47	312-075D	7	331-096K	29	802-779C	23, 25
03-181	47	312-082D	7	331-113K	31	802-967C	9
04-003	47	312-089D	7	331-114K	31	803-014C	53, 55
04-112	47	312-602D	11	331-115K	31	803-019C	19, 21, 23
04-136	47	312-808D	7	331-116K	33	803-029C	23, 25
05-049	47	318-008H	15	331-117K	33	803-038C	19, 21, 57
05-050	47	318-018H	57	331-465H	13	803-075C	15
06-038	47	318-106D	27	331-471S	17, 65	803-078C	17, 65
07-022	47	318-336D	27	331-472S	17, 65	803-147C	57
07-025	47	318-337D	27	331-795L	19, 21, 23	803-148C	9, 11, 13, 57
09-004	47	318-401H	9	334-574M	17, 65	803-168C	13
09-011	47	318-478D	29	334-576A	17, 65	803-169C	9
09-012	47	318-586A	7	35141-2397	37	803-170C	7
09-052	47	326-535D	29	491668	53	803-198C	11, 27, 29, 31, 33
1.135.7100.00	49, 51	326-993D	27, 31	491670	55	803-209C	13, 17, 65
11-20456	37	326-994D	27, 31	492218	53	802-215C	11
13-210	47	330-291D	57	492220	55	803-255C	9, 17, 65
130556	53, 55	330-294D	57	492650	53, 55	803-258C	13
141.024.430.1	41, 43	330-301D	27	492699	53	803-263C	9, 11, 37
141.024.757.1	35, 39	330-311D	13	492852	55	803-265C	15
142.240.5097421	43	330-321D	31	494273	53, 55	803-299C	15
142.2404967421	41	330-599D	9	8.0.9.01049	49, 51	803-310C	23, 25
146.241.056.1	35, 39	330-697H	9	8.1.1.00449	45	804-007C	9, 17, 65
148000	53, 55	330-699K	27	8.1.1.00501	49, 51	804-009C	9, 11
151.014.201	35, 39, 41, 43	330-708D	27	8.2.2.00515	49, 51	804-010C	9, 11
151.014.250.1	35, 39	330-709D	27	8.3.2.00409	49, 51	804-011C	13
151.014.756.1	35, 39, 41, 43	330-710D	29	8.3.2.00531	49, 51	804-017C	57
151.015.424.1	35, 39, 41	330-711D	29	8.3.7.00140	45	804-025C	15
155.140.642	35, 39	330-720D	31	8.4.7.00823	49, 51	804-028C	13
165.000.501	35, 39, 41, 43	330-721D	31	8.5.1.00680	45	804-029C	57
165.000.622	35, 39, 41, 43	330-724D	33	8.5.2.00030	45	804-055C	23, 25
165.000.628	41, 43	330-725D	33	8.5.2.00131	49, 51	804-147C	7
17-042	47	330-726D	33	8.5.2.00332	45	804-157C	9
17-043	47	330-727D	33	8.5.3.00955	49, 51	805-017C	53
17-044	47	330-729K	31	8.5.3.01012	45	805-045C	15
17-045	47	330-735S	57	8.6.6.00201	45, 49, 51	805-083C	15
17-046	47	330-778H	9	8.6.7.00269	45	805-088C	57
17-047	47	330-938K	19, 21, 25	8.7.0.00744	49, 51	805-090C	53
174136	55	330-965D	17, 65	8.7.1.00152	49, 51	805-104C	57
18-120	47	330-966D	17, 65	8.7.1.00748	49, 51	805-229C	57
180.014.022	35, 39, 41, 43	330-967D	17, 65	8.7.3.00331	45	805-246C	23, 25
180.014.130	41	330-984H	9	8.7.3.00398	45	807-023C	13
180.014.232	41	330-984H81	9	800-001C	13, 19, 21	807-271C	57
180.014.233	41	330-984H82	9	800-060C	17, 65	810-818C	59
180.014.240	41	330-984H83	9	800-080C	13, 19, 21, 23, 25	810-865C	53, 59
180.014.426	39	330-986H	19	800-094C	59	810-886C	53, 55
180.014.625	35, 43	330-987K	15	802-005C	9	810-908C	55, 59
180.015.019	39	330-988H	15	802-007C	9	811-180C	59
180.015.021.1	35, 39, 41, 43	330-990H	11			811-356C	59

Table of Contents Part Number Index



Part Number Index (continued)

Part Number	Page	Part Number	Page	Part Number	Page
811-394C	59	821-067CTU	63	Dwg 35142	11
811-619C	59	821-070C	63	Dwg 35143	13
811-633C	59	821-070CGL	63	Dwg 35144	15
811-857C	59	821-070CQT	63	Dwg 35145	19
812-388C	57	821-070CTU	63	Dwg 35146	21
8123.340.367.11	41	821-080C	63	Dwg 35148	27
8123.340.379.11	43	821-080CGL	63	Dwg 35149	29
8123.440.720.11	41	821-080CQT	63	Dwg 35151	57
8123.440.738.11	43	821-080CTU	63	Dwg 35152	59
814-265C	67	822-020C	23, 25	Dwg 35153	61
814-449C	67	822-021C	23, 25	Dwg 35156	49
814-450C	67	822-033C	23, 25	Dwg 35157	51
814-451C	67	822-034C	23, 25	Dwg 35166	39
814-461C	67	822-166C	49, 51	Dwg 35167	41
8146.241.056.1	41, 43	822-167C	49, 51	Dwg 35494	53
815-242C	25	822-188C	45	Dwg 35495	55
815-243C	23, 25	822-189C	45	Dwg 35822	31
815-401C	21	822-190C	45	Dwg 35823	33
815-403C	19	822-191C	49, 51	Dwg 37503	35
815-404C	19	826-240C	11	Dwg 37504	43
815-435C	19	826-280C	9, 45, 47	Dwg 37671	17, 65
815-491C	23	826-487C	49, 51	Dwg 37676	25
8151.015.424.1	43	826-491C	9, 11	Dwg 39060	67
816-481C	9	826-497C	9	Dwg 70945	47
816-497C	23, 25	826-519C	9	Dwg 72662	23
816-682C	31	826-683C	9, 37	HT250	23
816-764C	31	826-764C	9, 11, 49	J-37-A	17, 65
816-765C	31	826-765C	11, 51	J-37-R	17, 65
816-766C	33	826-769C	9, 39	J-AC1-15-B	17, 65
816-767C	33	826-770C	11, 41	N/A	7, 53, 55
817-259C	9	826-821C	9, 35		
818-045C	61	826-822C	11, 43		
818-130C	61	827-001C	57		
818-142C	61	837-101C	9, 11		
818-190C	61	838-094C	61		
818-229C	61	838-588C	61		
818-268C	61	838-614C	61		
818-276C	61	838-615C	61		
818-543C	61	840-273C	9, 11		
818-555C	61	841-205C	59		
818-556C	61	841-284C	59		
818-561C	61	848-128C	61		
818-564C	61	848-159C	61		
818-830C	61	848-631C	61		
818-840C	61	848-949C	61		
818-862C	61	848-950C	61		
8180.014.232	43	858-064C	61		
8180.014.233	43	858-065C	61		
8180.014.240	43	858-066C	61		
820-112C	7	86810-1008	37		
820-137C	7	890-118C	13		
820-138C	7	890-175C	29		
821-011C	63	890-341C	27, 29		
821-011CGL	63	890-400C	27		
821-011CQT	63	891-246C	13		
821-011CTU	63	891-522C	17, 65		
821-054C	63	891-523C	17, 65		
821-054CGL	63	891-529C	17, 65		
821-054CQT	63	891-531C	17, 65		
821-054CTU	63	891-532C	17, 65		
821-058C	63	92-25452	37		
821-058CGL	63	93-25452	37		
821-058CQT	63	96-25452	37		
821-058CTU	63	97-25452	37		
821-066C	63	98-25452	37		
821-066CGL	63	99-25452	37		
821-066CQT	63	A.248.500	49, 51		
821-066CTU	63	Dwg 18782	45		
821-067C	63	Dwg 30643	37		
821-067CGL	63	Dwg 35118	7		
821-067CQT	63	Dwg 35141	9		



Great Plains Manufacturing, Inc.

Corporate Office: P.O. Box 5060
Salina, Kansas 67402-5060 USA

www.landpride.com
