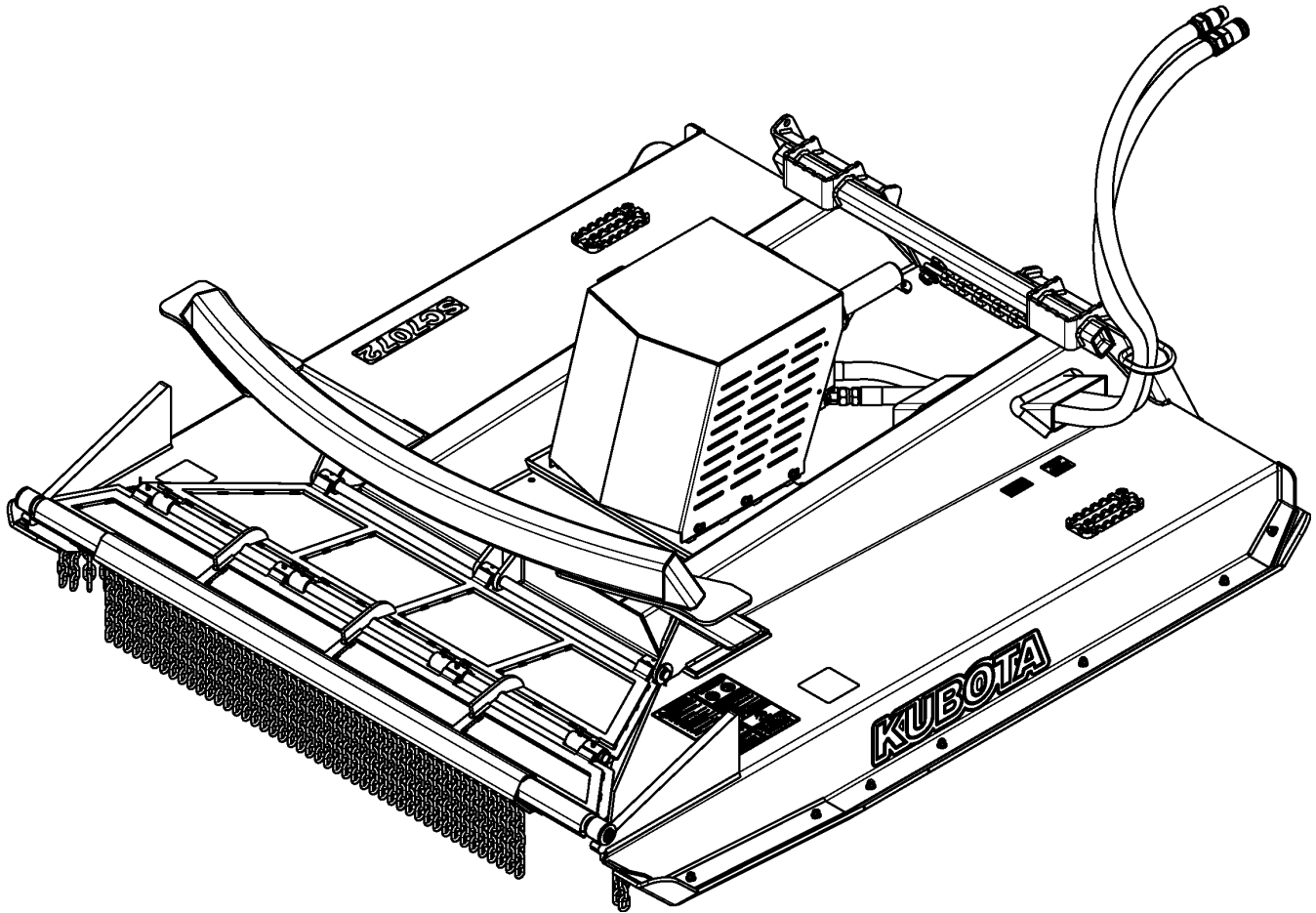


Skid Cutter

AP-SC7072



70429

326-974PK
Parts Manual

Kubota®



Read the Operator's Manual entirely. When you see this symbol, the subsequent instructions and warnings are serious - follow without exception. Your life and the lives of others depend on it!

© Copyright 2020 Printed 09/14/20

Cover photo may show optional equipment not supplied with standard unit.



Table of Contents

Section 1: Introduction.....	4
Using This Manual.....	4
Manual Replacement Information.....	4
Manual Revisions.....	4
Touch-up Paint.....	4
Hardware Legend.....	5
Replacement Hardware.....	5
Serial Numbers.....	5
Part Number Service Coding.....	5
Section 2: Skid Cutter Assembly.....	6
Blade Drive.....	6
Chain Guards Front & Bi-fold Door Assembly.....	8
Chain Guards Front Corners.....	10
Chain Guards Rear.....	12
Deck & Components.....	14
Gearbox (826-846C).....	16
Section 3: Hydraulics.....	18
Hydraulic Motor Eaton (850-318C) 26-43 GPM.....	18
Motor & Hose Assembly.....	20
Section 4: Options & Accessories.....	22
Case Drain Bundle.....	22
Narrow Skid Shoes.....	24
Pressure Gauge Bundle.....	26
Protective Door.....	28
Section 5: Decals.....	30
Decals.....	30
Touch-up Paints - Kubota.....	32
Part Number Index.....	34

© Copyright 2020. All rights reserved.

Kubota provides this publication “as is” without warranty of any kind, either expressed or implied. While every precaution has been taken in the preparation of this manual, Kubota assumes no responsibility for errors or omissions. Neither is any liability assumed for damages resulting from the use of the information contained herein. Kubota reserves the right to revise and improve its products as it sees fit. This publication describes the state of this product at the time of its publication, and may not reflect the product in the future. The illustrations in this manual are not intended for safe and proper assembly or disassembly of equipment. The illustrations are intended for ordering parts only.

Kubota is registered trademark.

All other brands and product names are trademarks or registered trademarks of their respective holders.

Printed in the United States of America.



Alphabetized Table of Contents

B	
Blade Drive.....	6
C	
Case Drain Bundle.....	22
Chain Guards Front & Bi-fold Door Assembly.....	8
Chain Guards Front Corners.....	10
Chain Guards Rear.....	12
D	
Decals.....	30
Deck & Components.....	14
G	
Gearbox (826-846C).....	16
H	
Hydraulic Motor Eaton (850-318C) 26-43 GPM.....	18
M	
Motor & Hose Assembly.....	20
N	
Narrow Skid Shoes.....	24
P	
Pressure Gauge Bundle.....	26
Protective Door.....	28
T	
Touch-up Paints - Kubota.....	32

General Information

Using This Manual

This manual is divided into sections. The first section contains General Information. The remaining sections divide the machine into segments (i.e. Frames, Drives, Hydraulics, etc.) which illustrate and list all parts. A Parts Number Index is located at the back of the book.

The Kubota parts in this manual are specially designed for this machine and should be replaced with Kubota parts only.

The information in this manual is current at time of printing. Some parts may change to assure top performance.

Right-hand and left-hand as used in this manual are determined by facing the direction the machine will travel while in use.

Below is an example of two facing pages from a parts manual. Familiarize yourself with the type of information contained on these pages.

Manual Replacement Information

Replacement manuals are available. Refer to our website at www.landpride.com for additional information. Our website continues to provide the most up-to-date manuals available.

Touch-up Paint

Repaint parts where paint is worn or scratched to prevent rust. Aerosol cans and touch-up bottles with brush applicator are available through your local dealer. Also available are quart and gallon size paints. Add QT or GL to end of the Aerosol P/N.

Kubota color descriptions and part numbers are listed on the "Kubota Touch-up Paints" page in the "Decals" section of this book.



General Information

Hardware Legend

AR	As Required
BLADE	Blade Bolt
C	Cap Screw
CP	Cotter Pin
CPHSSS	Cup Point Hex Socket Set Screw
CPSHSS	Cup Point Square Head Set Screw
CPSQHSS	Cup Point Square Head Set Screw
CRFCHMS3	Cross Recess Flat Countersunk Head Machine Screw
CRPHMS	Cross Recess Pan Head Machine Screw
CRPHTFS	Cross Recess Pan Head Thread Forming
CRRHMS	Cross Recess Round Head Machine Screw
CRTHMS	Cross Recess Truss Head Machine Screw
CSNB	Countersunk Square Neck Bolt
FHMS	Flat Head Machine Screw
FTC	Full Thread Cap Screw
H	Hex Nut
HCLN	Hex Center Lock Nut
HFLCS	Hex Flange Lock Cap Screw
HFS	Hex Flange Screw
HFSLN	Hex Flange Serrated Lock Nut
HFSS	Hex Flange Serrated Screw
HHCS	Hex Head Cap Screw or Metric Bolt
HSBHCS	Hex Socket Button Head Cap Screw
HSFCHCS	Hex Socket Flat Countersunk Head Cap Screw
HSHCS	Hex Socket Head Cap Screw
HSSS	Hex Socket Head Screw
HTLN	Hex Top Lock Nut
HWHCS	Hex Washer Head Cap Screw

HWHMS	Hex Washer Head Machine Screw
HXBHCS	Hex Socket Button Head Cap Screw
J	Hex Jam Nut
JIC	37 Degree Tapered Thread
L	Helical Spring Lock Washer
LUG	Lug Bolt
NFC	National Fine Cap Screw
NPSM	National Pipe Straight Mechanical
NPTF	National Pipe Taper Fuel
P	Wide Plain Washer
PHMS	Pan Head Machine Screw
PLOW	Plow Bolt
RHMS	Round Head Machine Screw
RHSNB	Round Head Square Neck Bolt
SCREW LEVELING	Leveling Screw
SCREW THUMB	Thumb Screw
SCREW WELD	Weld Screw
SFCHMS	Slotted Flat Countersunk Head Machine Screw
SFHMS	Slotted Fillister Head Machine Screw
SP	Special
SP SCREW	Special Screw
SQHSS	Square Head Set Screw
SRHMS	Slotted Round Head Machine Screw
SSS	Socket Set Screw
STCS	Self Tapping Cap Screw
STHMS	Slotted Truss Head Machine Screw
WHEEL	Wheel Studs and Hub Long Bolts
WING	Wing Bolt

Replacement Hardware

The **Hardware Legend** above lists hardware abbreviations used in the parts list. All bolts and nuts are Grade 5 unless otherwise noted. The use of improper grades of hardware can result in personal injury, damage to equipment, or loss of property.

Part Number Service Coding

Within the parts list some part numbers are coded for revisions and interchangeability. See notations in revision column.

Serial Numbers

Always use the serial and model number when ordering parts. Refer to the Operator's Manual for serial number plate location.

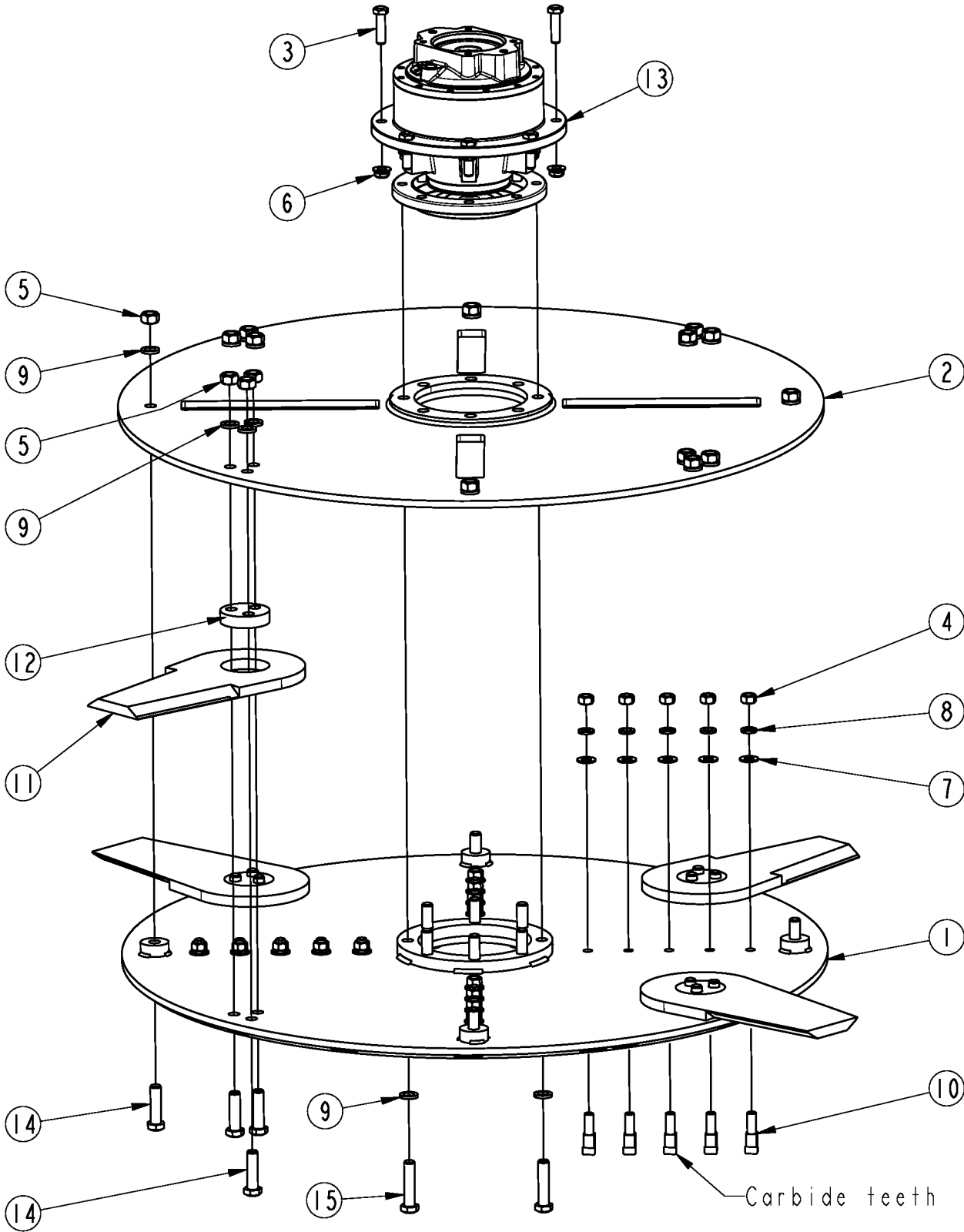
(S/N 20001+) Includes serial numbers 20001 and above (to the latest number)

(S/N 10001 to 20000) Includes serial numbers between and including 10001 and 20000

(S/N 10000-) Includes serial numbers 10000 and below (to the earliest number)

Blade Drive

Applies to AP-SC7072



70430

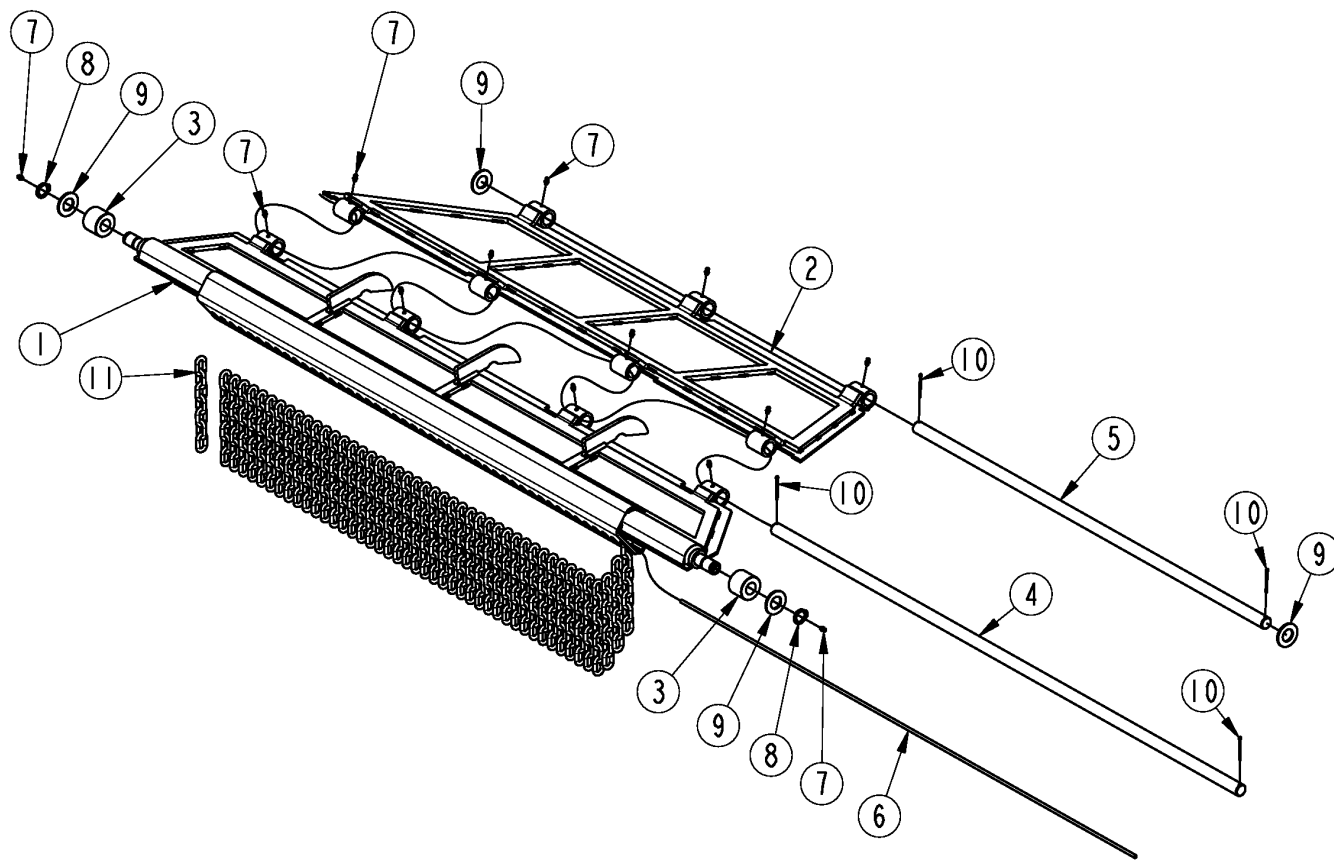
Blade Drive

Applies to AP-SC7072

Ref	Part No.	Part Description	Comments	Revision
	Dwg 70430	Image No.		
1.	326-915H	LOWER HALF WHEEL		
2.	326-916H	UPPER HALF WHEEL		
3.	802-057C	HHCS 5/8-11X2 1/4 GR5		
4.	803-022C	NUT HEX 5/8-18 PLT		
5.	803-027C	NUT HEX 3/4-10 PLT		
6.	803-263C	NUT HEX FLANGE LOCK 5/8-11 PLT		
7.	804-021C	WASHER FLAT 5/8 SAE PLT		
8.	804-022C	WASHER LOCK SPRING 5/8 PLT		
9.	804-023C	WASHER LOCK SPRING 3/4 PLT		
10.	820-491C	CARBIDE POINT 3/4SQ.		
11.	820-676C	CUTTER BLADE SC70		
12.	820-677C	CUTTER BLADE RETAINER SC70		
13.	826-846C	GEARBOX INLINE 1:1 SAE C 17T		
14.	802-552C	HHCS 3/4-10X3 GR8		
15.	842-452C	HHCS 3/4-10X3 1/4 GR8 PLT NYL		

Chain Guards Front & Bi-fold Door Assembly

Applies to AP-SC7072



70432

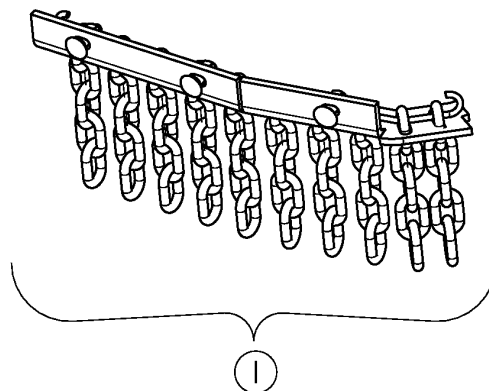
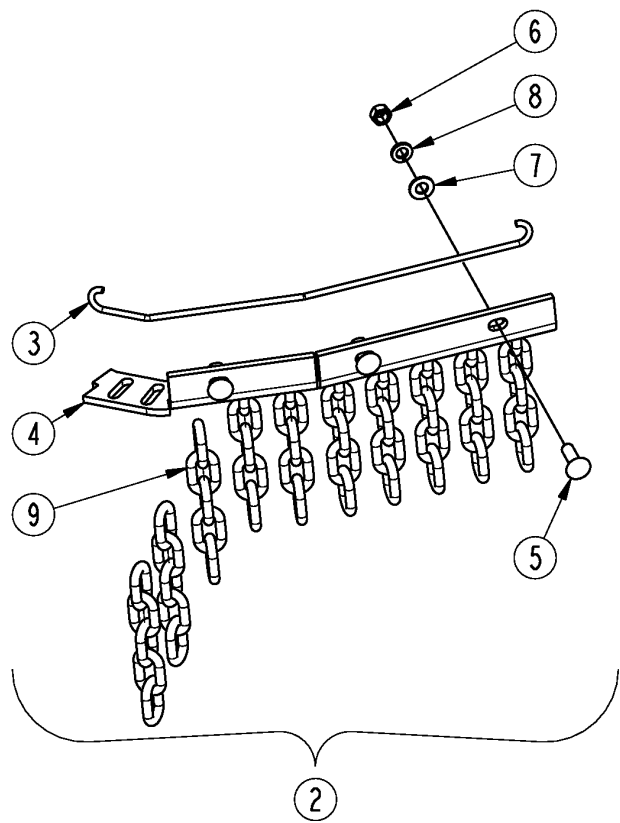
Chain Guards Front & Bi-fold Door Assembly

Applies to AP-SC7072

Ref	Part No.	Part Description	Comments	Revision
	Dwg 70432	Image No.		
1.	326-999H	DOOR FRT		
1.	326-911H	RPBY 326-999H	Obsolete	
2.	326-912H	DOOR REAR		
3.	327-617D	DOOR BEARING		
4.	327-618D	CENTER PIN		
5.	327-619D	REAR PIN		
6.	330-305D	ROUND ROD 1/4 X 58		
7.	800-001C	GREASE ZERK STRAIGHT 1/4-28		
8.	800-521C	SNAP RETAINING RING HD 63/64		
9.	804-029C	WASHER FLAT 1 SAE		
10.	805-096C	PIN COTTER 1/8 X 1 3/4 PLT		
11.	890-393C	CHAIN WELD 5/16 GR 43 X 7-LINK		

Chain Guards Front Corners

Applies to AP-SC7072



70517

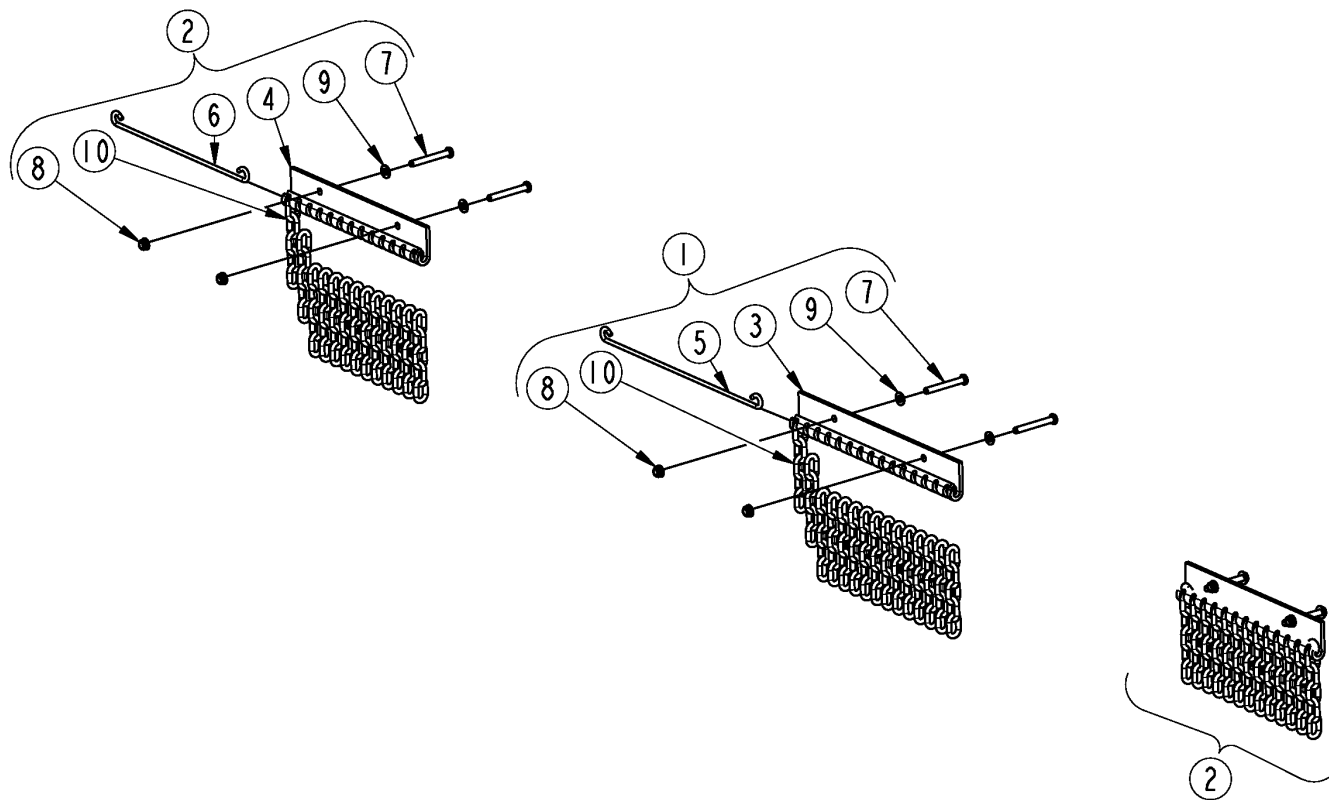
Chain Guards Front Corners

Applies to AP-SC7072

Ref	Part No.	Part Description	Comments	Revision
	Dwg 70517	Image No.		
1.	326-994K	FRONT GUARD RH		
2.	326-995K	FRONT GUARD LH		
3.	327-681D	CHAIN RETAINER		
4.	327-753D	CHAIN RETAINER CORNER RH	Right hand side	
4.	327-752D	CHAIN RETAINER CORNER LH	Left hand side	
5.	802-155C	RHSNB 3/8-16X1 1/4 GR5		
6.	803-014C	NUT HEX 3/8-16 PLT		
7.	804-012C	WASHER FLAT 3/8 SAE PLT		
8.	804-013C	WASHER LOCK SPRING 3/8 PLT		
9.	890-341C	CHAIN WELD 5/16 GR 43 X 5 LINK		

Chain Guards Rear

Applies to AP-SC7072



70433

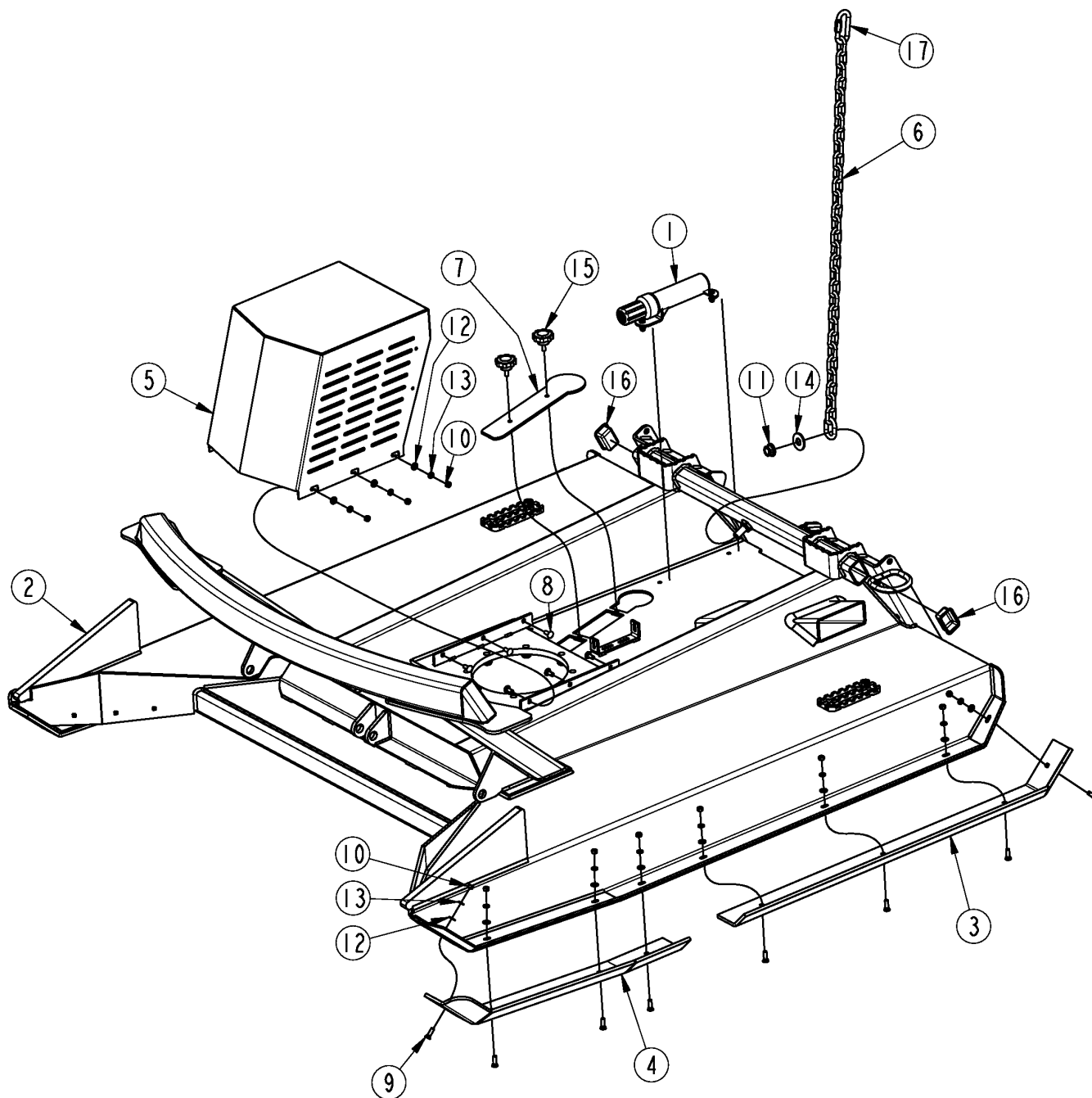
Chain Guards Rear

Applies to AP-SC7072

Ref	Part No.	Part Description	Comments	Revision
	Dwg 70433	Image No.		
1.	326-965K	CHAIN GUARD MID		
2.	326-966K	CHAIN GUARD OUT 72		
3.	327-668D	MID GUARD		
4.	327-670D	OUTER GUARD 72"		
5.	327-671D	ROUND ROD .25 X 19.02		
6.	327-673D	ROUND ROD .25 X 16.52		
7.	802-024C	HHCS 3/8-16X3 GR5		
8.	803-209C	NUT FLANGE LOCK 3/8-16 PLT		
9.	804-012C	WASHER FLAT 3/8 SAE PLT		
10.	890-341C	CHAIN WELD 5/16 GR 43 X 5 LINK		

Deck & Components

Applies to AP-SC7072



70431

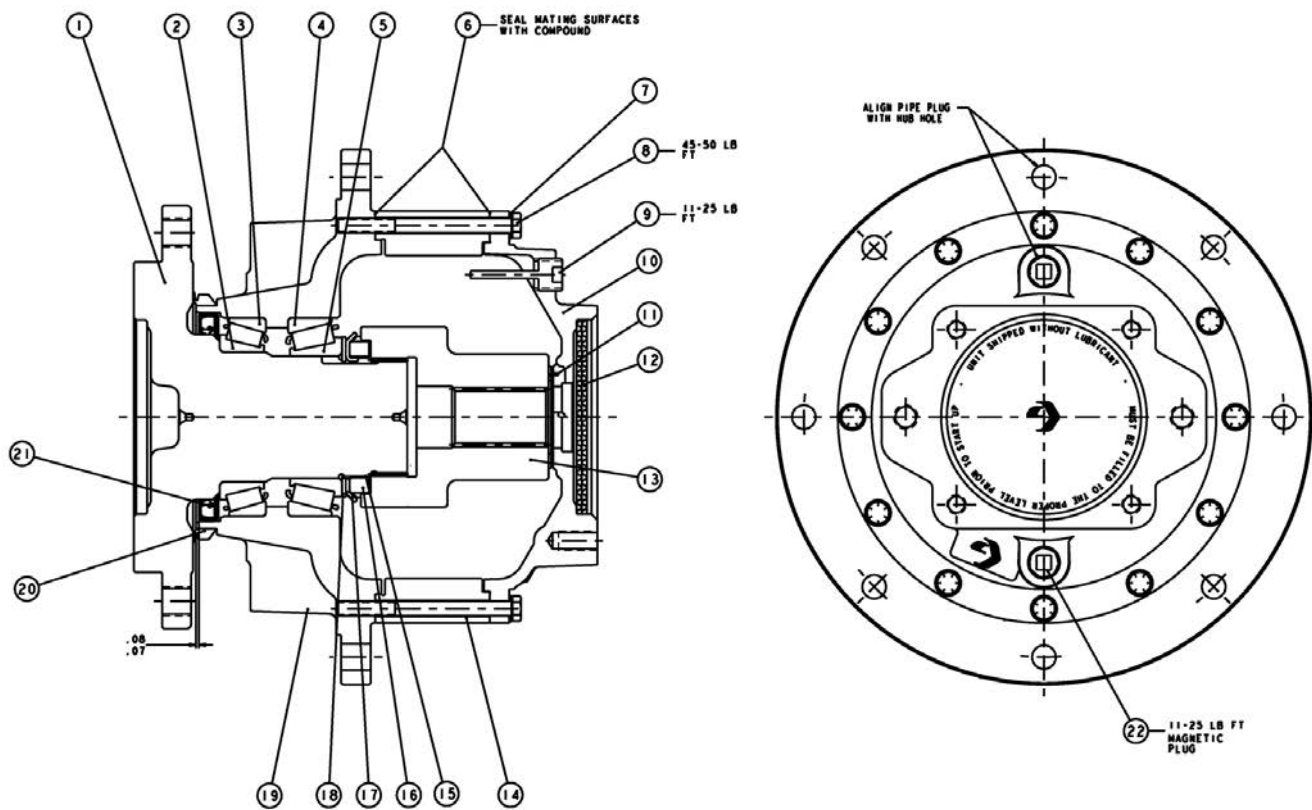
Deck & Components

Applies to AP-SC7072

Ref	Part No.	Part Description	Comments	Revision
	Dwg 70431	Image No.		
1.	326-095S	MANUAL CONTAINER KIT, 1 1/4		
2.	326-875H	DECK		
3.	326-909H	SKID SHOE REAR LH	Left	
3.	326-907H	SKID SHOE REAR RH	Right	
4.	326-910H	SKID SHOE FRT LH	Left	
4.	326-908H	SKID SHOE FRT RH	Right	
5.	326-919H	MOTOR SHROUD SC70		
6.	327-206D	HEIGHT ADJ. CHAIN		
7.	327-611D	DECK ACCESS COVER		
8.	802-015C	RHSNB 3/8-16X1 GR5		
9.	802-466C	PLOW 3/8-16X1 1/4 GR5		
10.	803-014C	NUT HEX 3/8-16 PLT		
11.	803-181C	NUT HEX FLANGE LOCK 3/4-10 PLT		
12.	804-012C	WASHER FLAT 3/8 SAE PLT		
13.	804-013C	WASHER LOCK SPRING 3/8 PLT		
14.	804-024C	WASHER FLAT 3/4 USS PLT		
15.	817-358C	KNOB 3/8-16 MALE THD 2 3/8OD		
16.	817-387C	PLASTIC END CAP 3X2X3/16 WL TB		
17.	890-931C	QUICK LINK 1/2"		

Gearbox (826-846C)

Applies to AP-SC7072



74807

Gearbox (826-846C)

Applies to AP-SC7072

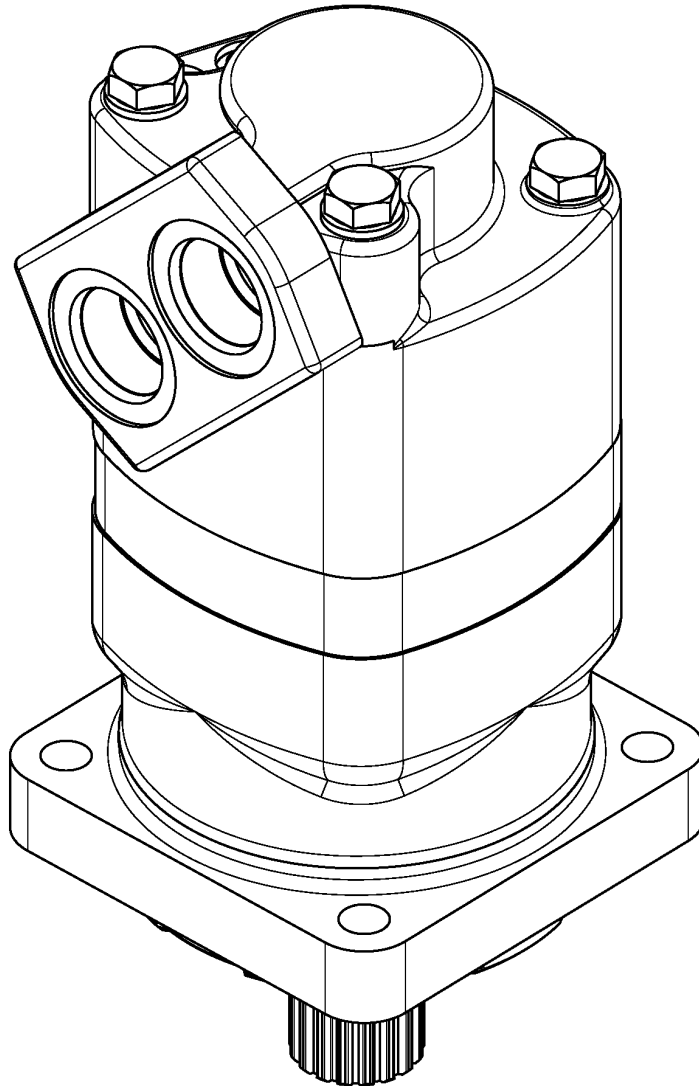
Ref	Part No.	Part Description	Comments	Revision
	Dwg 74807	Image No.		
	826-846C	GEARBOX INLINE 1:1 SAE C 17T		
		*		
1.	617187	ABNG SHAFT-OUTPUT		
2.	14-00-133-007	ABNG BEARING-CONE		
3.	14-00-133-006	ABNG BEARING-CUP		
4.	613314	ABNG BEARING-CUP		
5.	613315	ABNG BEARING-CONE		
6.	604101	ABGN COMPOUND 3 OZ		
7.	14-00-047-002	ABNG WASHER-FLAT		
8.	618344	ABNG BOLT-HEX HEAD		
9.	605902	ABNG PLUG-PIPE		
10.	603943	ABNG COVER		
11.	619314	ABNG WASHER-THRUST		
12.	14-00-191-007	ABNG PLUG-SHIPPING		
13.	608972	ABNG COUPLING		
14.	616280	ABNG GEAR-RING		
15.	604105_ABNG	ABNG COMPOUND-LOCTITE 277		
16.	614927	ABNG NUT-LOCK		
17.	605011	ABNG WASHER-LOCK		
18.	619320	ABNG WASHER-THRUST		
19.	6179125	ABNG HUB		
20.	604405	ABNG SEAL-V RING		
21.	604409	ABNG SEAL-OIL		
22.	14-00-052-002	ABNG PLUG-PIPE		
		*		

Notes: Oil Type 80-90W Capacity 85 Ounces
(2.51 L)

Hydraulic Motor Eaton (850-318C) 26-43 GPM

Applies to AP-SC7072

NO PARTS AVAILABLE FOR THIS MOTOR AT THIS TIME



70435

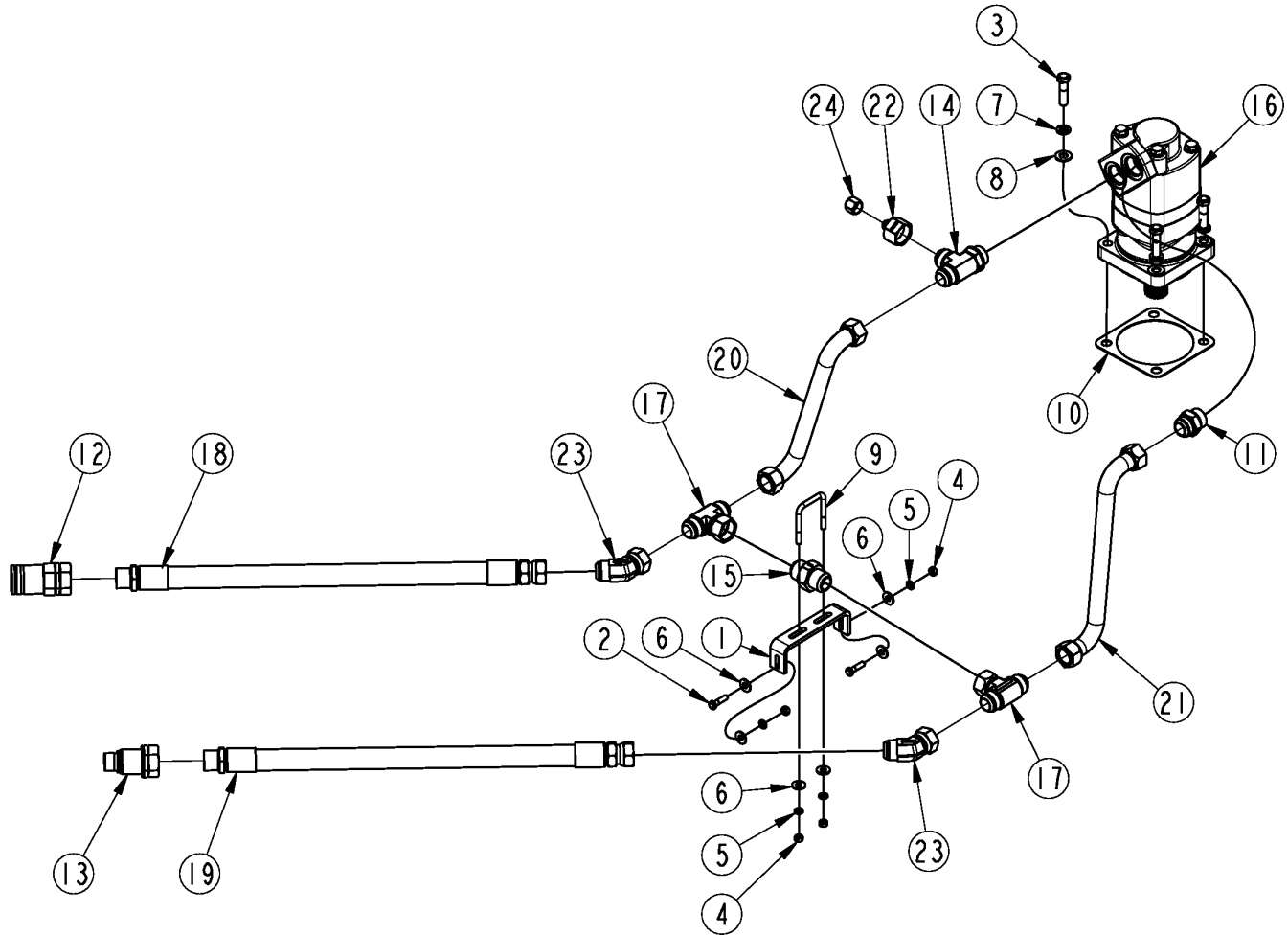
Hydraulic Motor Eaton (850-318C) 26-43 GPM

Applies to AP-SC7072

No Parts List associated with this diagram

Motor & Hose Assembly

Applies to AP-SC7072



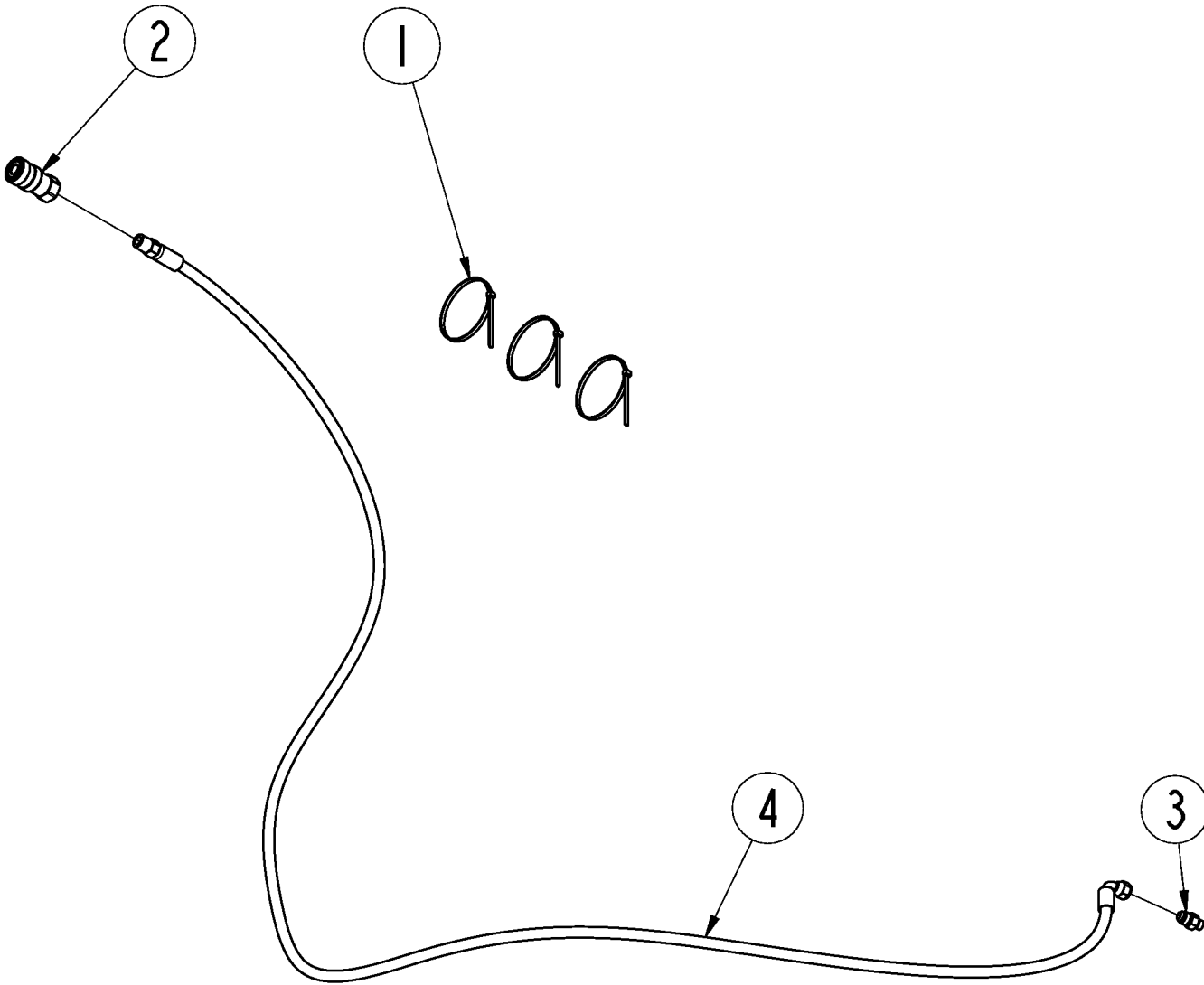
70434

Motor & Hose Assembly**Applies to AP-SC7072**

Ref	Part No.	Part Description	Comments	Revision
	Dwg 70434	Image No.		
1.	327-641D	HOSE CLAMP		
2.	802-010C	HHCS 5/16-18X1 1/4 GR5		
3.	802-128C	HHCS 1/2-13X2 GR5		
4.	803-008C	NUT HEX 5/16-18 PLT		
5.	804-009C	WASHER LOCK SPRING 5/16 PLT		
6.	804-010C	WASHER FLAT 5/16 USS PLT		
7.	804-015C	WASHER LOCK SPRING 1/2 PLT		
8.	804-016C	WASHER FLAT 1/2 SAE PLT		
9.	806-268C	U-BOLT 5/16-18X2 1/32X2 11/16		
10.	816-182C	GASKET - MOTOR		
11.	841-608C	AD 1 5/16MORB 1 5/16MJIC		
12.	841-957C	CP 1 5/16FORB FEMALE QD		
13.	841-958C	CP 1 5/16FORB MALE QD		
14.	841-961C	TEE 1.31MJIC 1.31MJIC 1.31MORB		
15.	850-314C	VALVE 1" IN-LINE CHECK		
16.	850-318C	HYD MOTOR 12 SAE C 1.31 17S		
17.	851-771C	TE 1 5/16MJIC(2) 1 5/16FJIC		
18.	861-245C	HH1R13 91.6 1.31FJIC 1.31MORB		
19.	861-246C	HH1R13 92.5 1.31FJIC 1.31MORB		
20.	861-281C	OFFSET FITTING 1.31FJIC 10.25"		
21.	861-282C	OFFSET FITTING 1.31FJIC 11.5"		
22.	861-284C	AD 1.31FJIC.75MJIC		
23.	861-285C	EL 45 1.31FJIC1.31MJIC		
24.	861-286C	CP 3/4FJIC		

Case Drain Bundle

Applies to AP-SC7072



70004

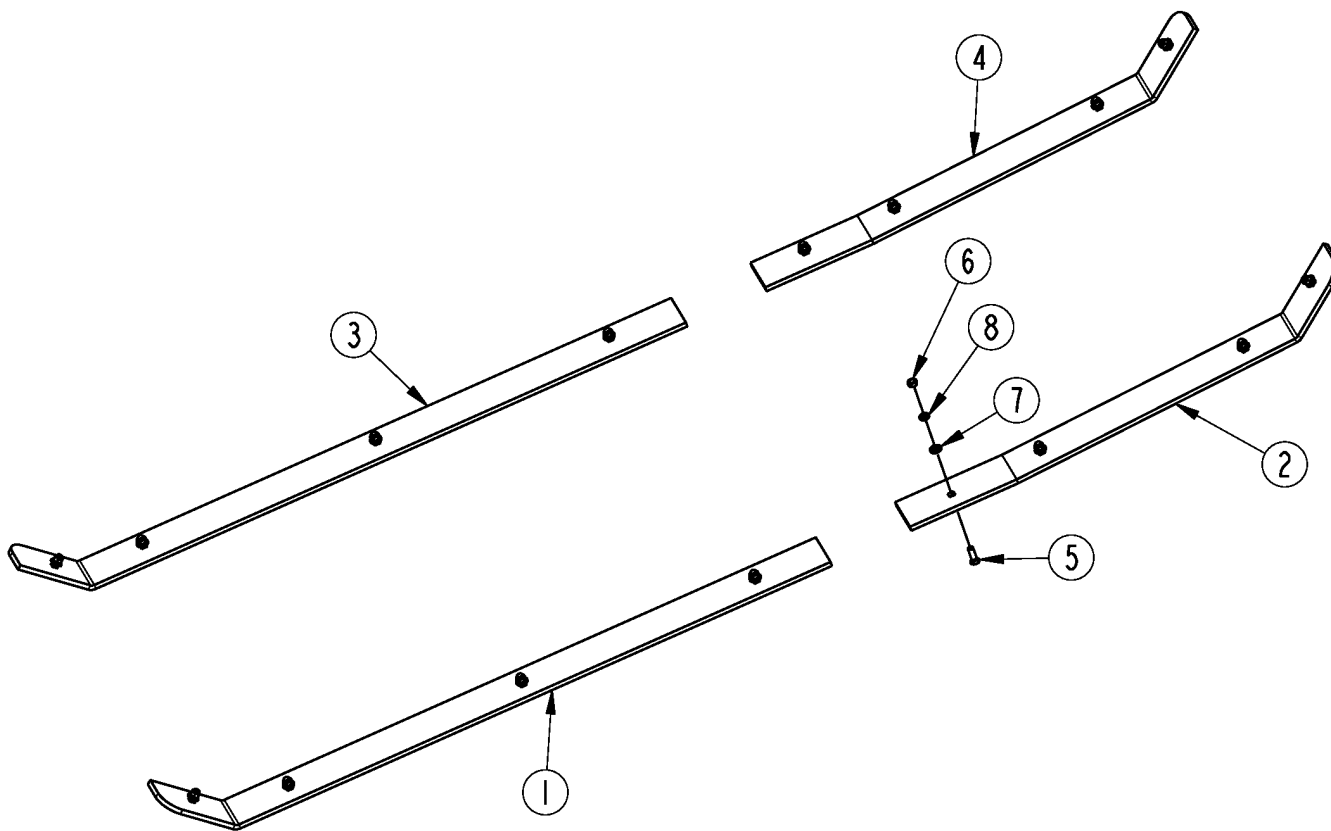
Case Drain Bundle

Applies to AP-SC7072

Ref	Part No.	Part Description	Comments	Revision
	Dwg 70004 326-925A	Image No. CASE DRAIN BUNDLE SC70 *		
1.	800-060C	CABLE TIE .19X14.25 3DIA 50LB		
2.	841-539C	CP 3/8 FEMALE QD 3/8FNPT		
3.	851-755C	AD 7/16MORB 9/16MJIC		
4.	861-082C	HH1/4R2 90.3 3/8MNPT9/16FJIC90		

Narrow Skid Shoes

Applies to AP-SC7072



74232

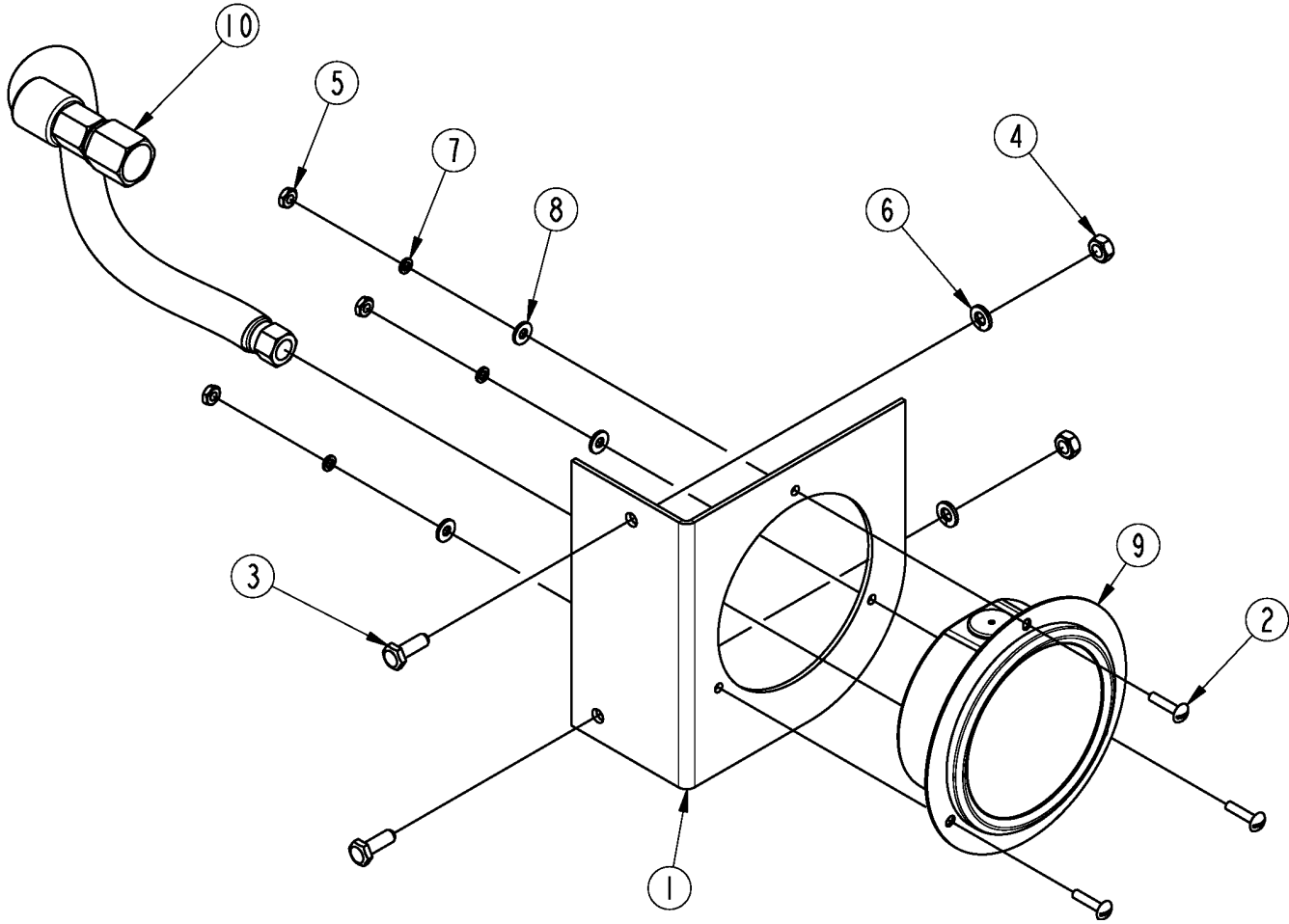
Narrow Skid Shoes

Applies to AP-SC7072

Ref	Part No.	Part Description	Comments	Revision
	Dwg 74232 327-302A	Image No. SKID SHOE BUNDLE NARROW 7072 *		
1.	327-899D	SKID SHOE REAR NARROW RH		
2.	327-900D	SKID SHOE FRT NARROW RH		
3.	327-901D	SKID SHOE REAR NARROW LH		
4.	327-902D	SKID SHOE FRT NARROW LH		
5.	802-466C	PLOW 3/8-16X1 1/4 GR5		
6.	803-014C	NUT HEX 3/8-16 PLT		
7.	804-012C	WASHER FLAT 3/8 SAE PLT		
8.	804-013C	WASHER LOCK SPRING 3/8 PLT		

Pressure Gauge Bundle

Applies to AP-SC7072



70436

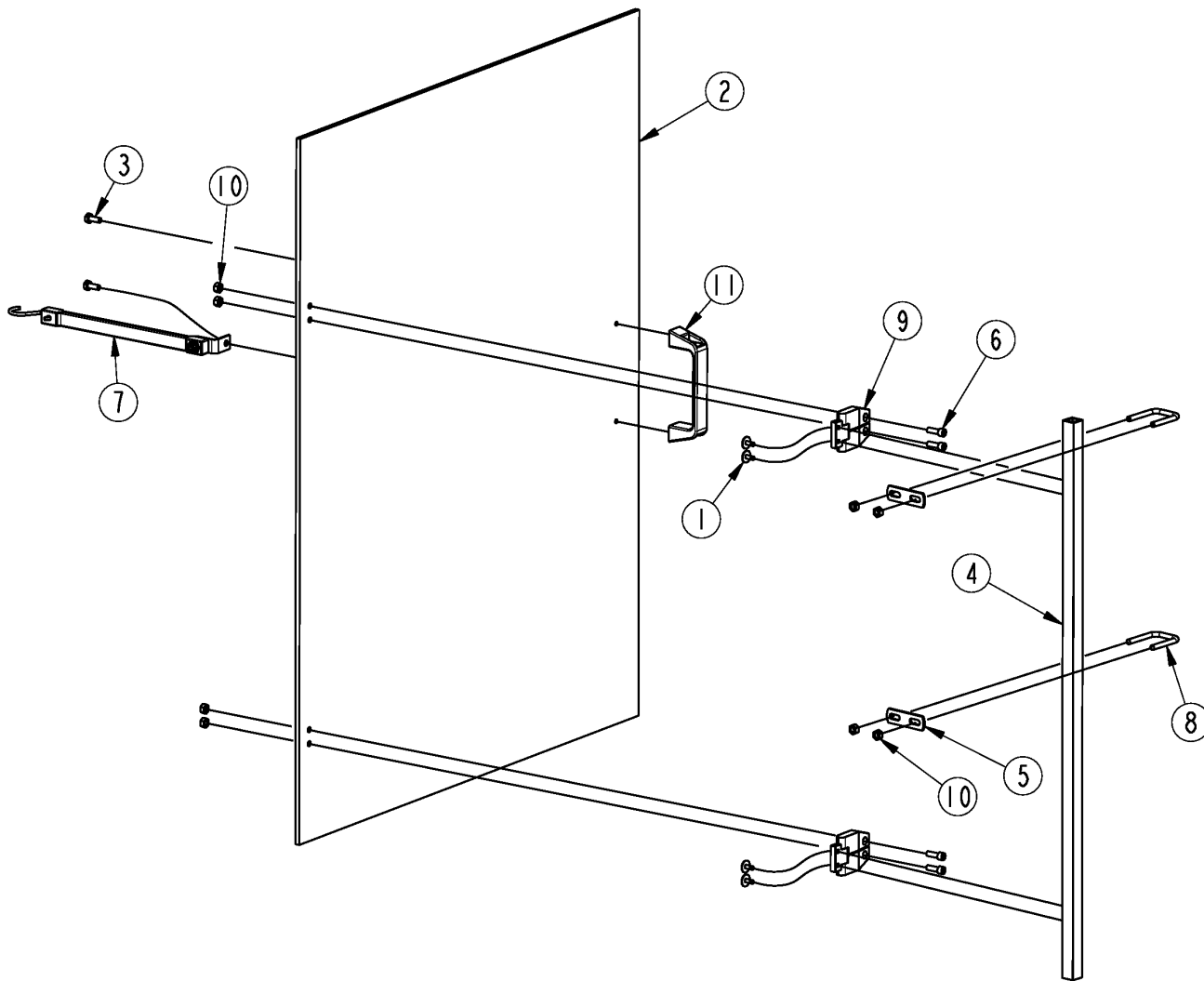
Pressure Gauge Bundle

Applies to AP-SC7072

Ref	Part No.	Part Description	Comments	Revision
	Dwg 70436	Image No.		
	326-928A	PRESSURE GAUGE BUNDLE *		
1.	327-637D	PRESSURE GAUGE MOUNT		
2.	801-262C	SCREW RD HD 8-32 X 3/4 PLT		
3.	802-004C	HHCS 1/4-20X3/4 GR5		
4.	803-006C	NUT HEX 1/4-20 PLT		
5.	803-487C	NUT HEX #8-32 PLT		
6.	804-006C	WASHER LOCK SPRING 1/4 PLT		
7.	804-043C	WASHER LOCK #8		
8.	804-088C	WASHER FLAT #8 SAE PLT		
9.	861-054C	PRESSURE GAUGE 6000 PSI		
10.	861-279C	HH3/8R2 14 3/4FJIC1/4FNPT		

Protective Door

Applies to AP-SC7072



24640

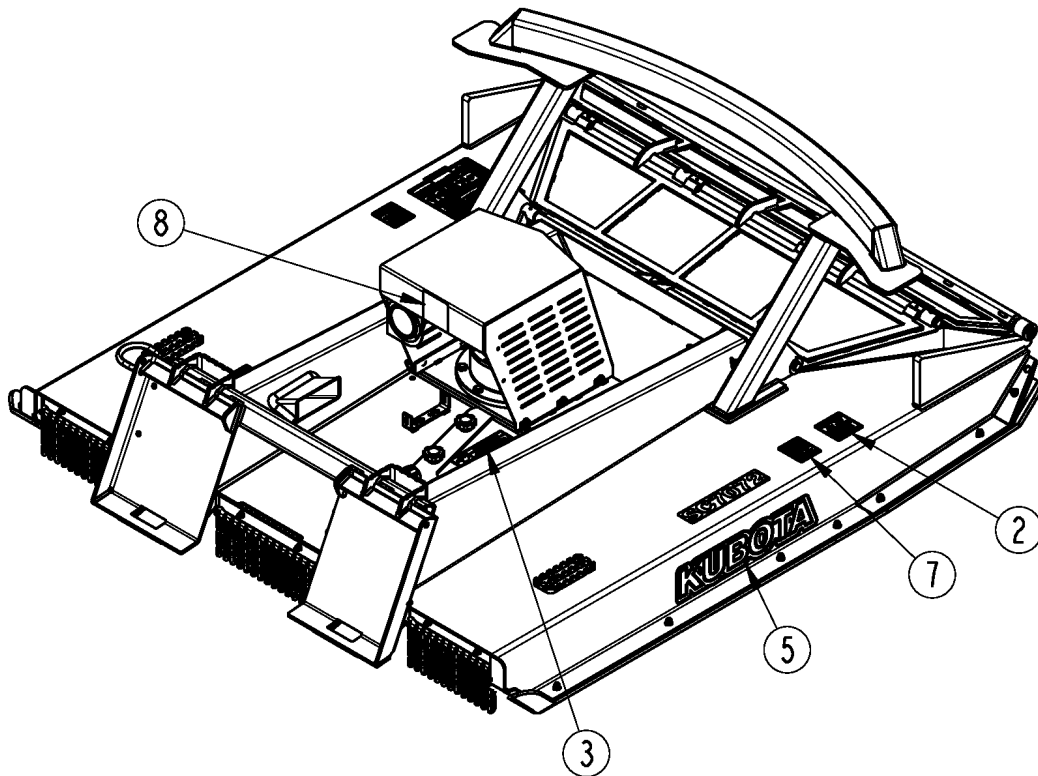
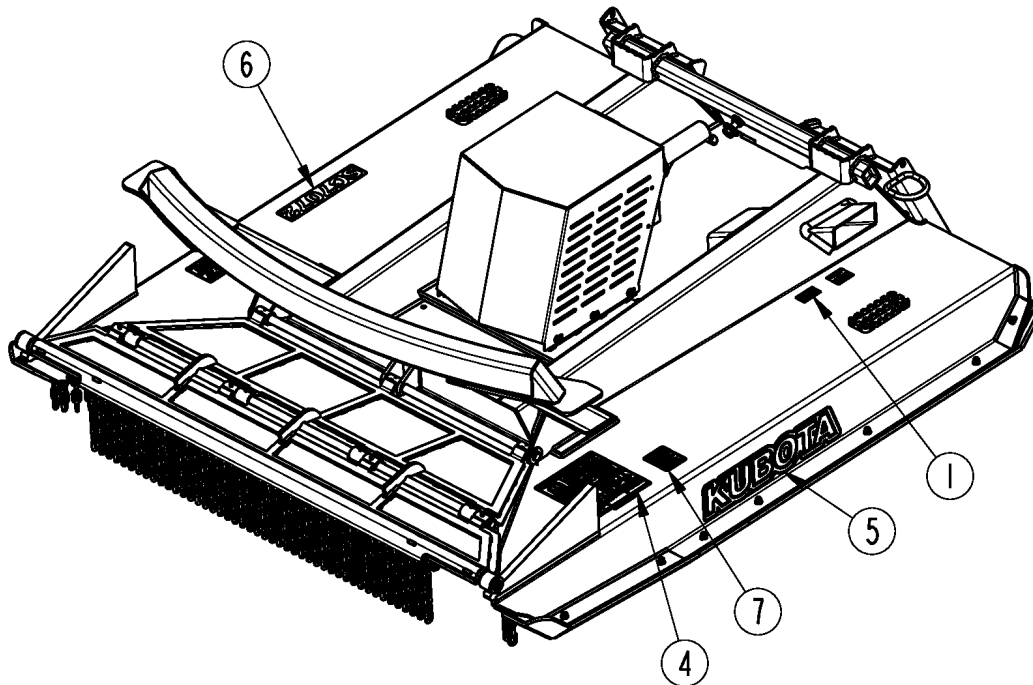
Protective Door

Applies to AP-SC7072

Ref	Part No.	Part Description	Comments	Revision
	Dwg 24640 326-024A	Image No. PROTECTIVE DOOR ASSY *		
1.	800-230C	RIVET POP 3/16 .251-.375 LF	Not Included in 326-024A	
2.	PSM12RSA	SKID PROTECTIVE DOOR		
3.	PSM2520137UB	HHCS 1/4-20X5/8 GR5		
4.	PSM252058SC	HINGE TUBE		
5.	PSM252075SC	PLATE, U-BOLT		
6.	PSM2520NT	HSHCS 1/4-20X3/4		
7.	PSM321650HA	DOOR STRAP		
8.	PSM8300879DH	U-BOLT 1/4-20X1 3/8X2		
9.	PSMAL75SQ	DOOR HINGE		
10.	PSMGPSPD	NUT LOCK 1/4-20 PLT		
11.	PSMST11AG	DOOR HANDLE		

Decals

Applies to AP-SC7072



70437

Decals**Applies to AP-SC7072**

Ref	Part No.	Part Description	Comments	Revision
	Dwg 70437	Image No.		
1.	N/A			
2.	818-555C	DECAL DANGER ROTATE BLADE		
3.	818-831C	DECAL WARNING HIGH PRESSURE		
4.	844-191C	DECAL SKID CUTTER SAFETY COMBO	S/N _____+	
4.	818-830C	DECAL SAFETY COMBO SUNWEST	S/N _____-	
5.	844-223C	DECAL, 22" KUBOTA BLOCK		
5.	858-400C	RPBY 844-223C	Obsolete	
6.	858-782C	DECAL SC7072		
7.	858-843C	DECAL DO NOT OPERATE-DANGER	S/N _____+	
8.	858-935C	DECAL WARNING ROTATING BLADE		

Touch-up Paints - Kubota

Applies to AP-SC7072

No diagram associated with this Parts List

Touch-up Paints - Kubota

Applies to AP-SC7072

Ref	Part No.	Part Description	Comments	Revision
1.	821-070C	GLOSS BLACK SPRAY CAN	Spray can	
2.	821-070CTU	GLOSS BLACK TOUCH-UP 5OZ	Touch-up bottle with brush	
3.	821-070CQT	GLOSS BLACK QUART	Quart can	
4.	821-070CGL	GLOSS BLACK GALLON	Gallon Can	
5.	821-006C	ORANGE SPRAY CAN	Spray can	
6.	821-066CTU	ORANGE TOUCH-UP 5OZ	Touch-up bottle with brush	
7.	821-066CQT	ORANGE QUART	Quart can	
8.	821-066CGL	ORANGE GALLON	Gallon Can	
9.	821-085C	PAINT KBT DARK GRAY SPRAY CAN	Spray can	
10.	821-085CTU	PAINT KBT DARK GRAY TCH-UP 4OZ	Touch-up bottle with brush	



Part Number Index

The Part Number Index is a numeric index of all part numbers included in this manual. The index shows what page(s) the part is used on.

Part Number	Page	Part Number	Page	Part Number	Page
14-00-047-002	17	802-057C	7	861-279C	27
14-00-052-002	17	802-128C	21	861-281C	21
14-00-133-006	17	802-155C	11	861-282C	21
14-00-133-007	17	802-466C	15, 25	861-284C	21
14-00-191-007	17	802-552C	7	861-285C	21
326-024A	29	803-006C	27	861-286C	21
326-095S	15	803-008C	21	890-341C	11, 13
326-875H	15	803-014C	11, 15, 25	890-393C	9
326-907H	15	803-022C	7	890-931C	15
326-908H	15	803-027C	7	Dwg 24640	29
326-909H	15	803-181C	15	Dwg 70004	23
326-910H	15	803-209C	13	Dwg 70430	7
326-911H	9	803-263C	7	Dwg 70431	15
326-912H	9	803-487C	27	Dwg 70432	9
326-915H	7	804-006C	27	Dwg 70433	13
326-916H	7	804-009C	21	Dwg 70434	21
326-919H	15	804-010C	21	Dwg 70436	27
326-925A	23	804-012C	11, 13, 15, 25	Dwg 70437	31
326-928A	27	804-013C	11, 15, 25	Dwg 70517	11
326-965K	13	804-015C	21	Dwg 74232	25
326-966K	13	804-016C	21	Dwg 74807	17
326-994K	11	804-021C	7	N/A	31
326-995K	11	804-022C	7	PSM12RSA	29
326-999H	9	804-023C	7	PSM2520137UB	29
327-206D	15	804-024C	15	PSM252058SC	29
327-302A	25	804-029C	9	PSM252075SC	29
327-611D	15	804-043C	27	PSM2520NT	29
327-617D	9	804-088C	27	PSM321650HA	29
327-618D	9	805-096C	9	PSM8300879DH	29
327-619D	9	806-268C	21	PSMAL75SQ	29
327-637D	27	816-182C	21	PSMGPSPD	29
327-641D	21	817-358C	15	PSMST11AG	29
327-668D	13	817-387C	15		
327-670D	13	818-555C	31		
327-671D	13	818-830C	31		
327-673D	13	818-831C	31		
327-681D	11	820-491C	7		
327-752D	11	820-676C	7		
327-753D	11	820-677C	7		
327-899D	25	821-006C	33		
327-900D	25	821-066CGL	33		
327-901D	25	821-066CQT	33		
327-902D	25	821-066CTU	33		
330-305D	9	821-070C	33		
603943	17	821-070CGL	33		
604101	17	821-070CQT	33		
604105_ABNG	17	821-070CTU	33		
604405	17	821-085C	33		
604409	17	821-085CTU	33		
605011	17	826-846C	7, 17		
605902	17	841-539C	23		
608972	17	841-608C	21		
613314	17	841-957C	21		
613315	17	841-958C	21		
614927	17	841-961C	21		
616280	17	842-452C	7		
617187	17	844-191C	31		
6179125	17	844-223C	31		
618344	17	850-314C	21		
619314	17	850-318C	21		
619320	17	851-755C	23		
800-001C	9	851-771C	21		
800-060C	23	858-400C	31		
800-230C	29	858-782C	31		
800-521C	9	858-843C	31		
801-262C	27	858-935C	31		
802-004C	27	861-054C	27		
802-010C	21	861-082C	23		
802-015C	15	861-245C	21		
802-024C	13	861-246C	21		

This Page Intentionally Left Blank



KUBOTA TRACTOR CORPORATION

1000 Kubota Drive, Grapevine, TX 76051

Telephone: (817) 756-1171

Western Division: 1175 S. Guild Ave., Lodi, CA 95240
Telephone: (209) 334-9910

Central Division: 14855 FAA Blvd., Fort Worth, TX 76155
Telephone: (817) 571-0900

Northern Division: 6300 at One Kubota Way, Groveport, OH 43125
Telephone: (614) 835-1100

Southeast Division: 1025 Northbrook Parkway, Suwanee, GA 30024
Telephone: (770) 995-8855

www.kubota.com
