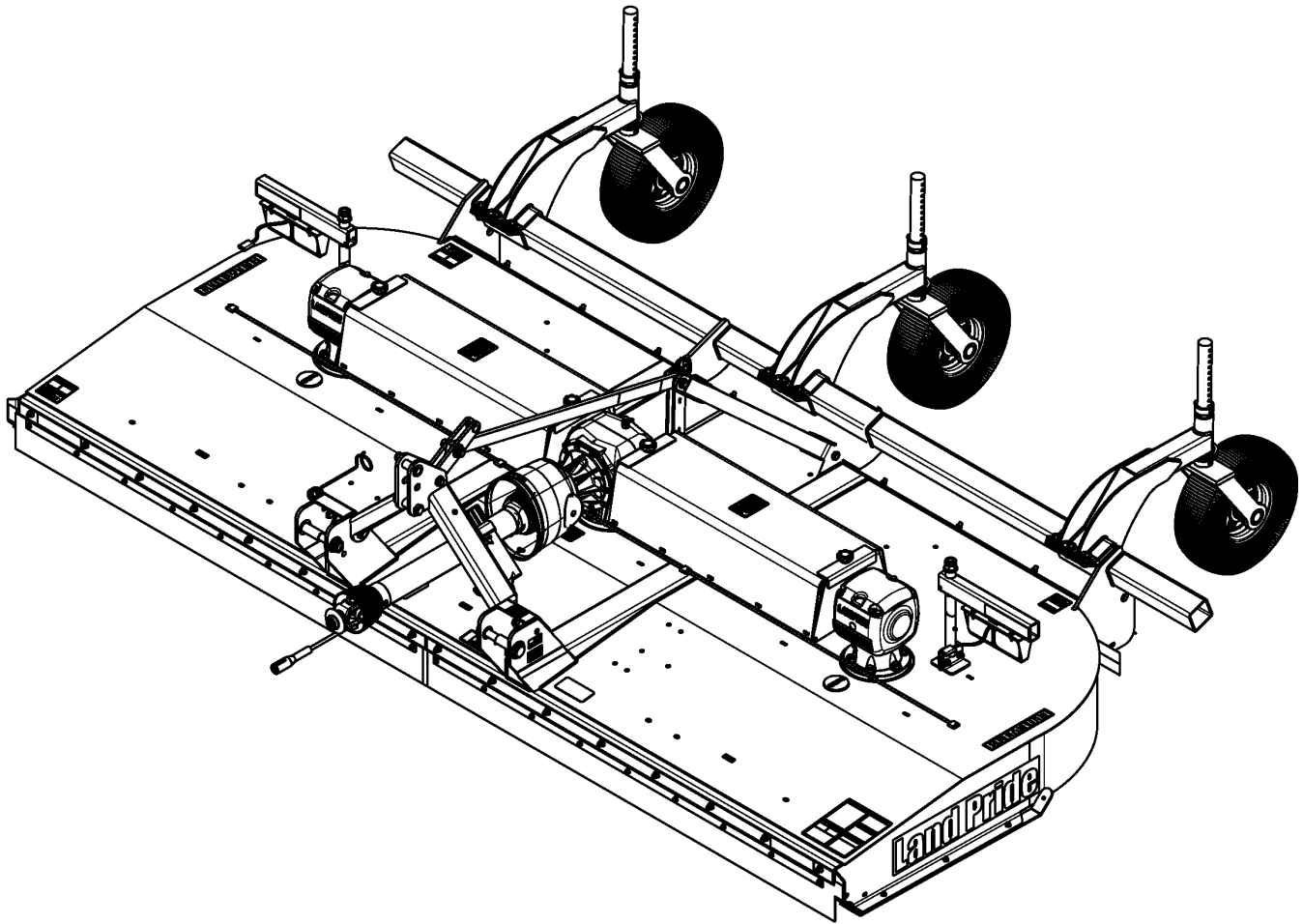


# Rotary Cutter

RCFM4014



35879

## 326-730P Parts Manual



Read the Operator's Manual entirely. When you see this symbol, the subsequent instructions and warnings are serious - follow without exception. Your life and the lives of others depend on it!

© Copyright 2019 Printed 06/06/19

Cover photo may show optional equipment not supplied with standard unit.





# Table of Contents

---

<b>Section 1: Introduction.....</b>	<b>4</b>
Using This Manual.....	4
Manual Replacement Information.....	4
Manual Revisions.....	4
Touch-up Paint.....	4
Hardware Legend.....	5
Replacement Hardware.....	5
Serial Numbers.....	5
Part Number Service Coding.....	5
<b>Section 2: Deck, Hitch &amp; Gauge Wheel.....</b>	<b>6</b>
Breakaway Lights S/N 928899-.....	6
Breakaway Lights S/N 928900+.....	8
Deck & Hitch Components.....	10
Gauge Wheel Components.....	12
<b>Section 3: Blade Drive (1000 RPM).....</b>	<b>14</b>
Blade Drive.....	14
Directional Coupler Components B6502.....	16
Directional Coupler Components B6503.....	18
Driveline Intermediate (826-782C).....	20
Driveline Intermediate (826-796C).....	22
Driveline Main (826-780C).....	24
Driveline Main (826-781C).....	26
Gearbox 1000 RPM LH & RH (826-317C).....	28
Gearbox Center (826-784C).....	30
<b>Section 4: Guards.....</b>	<b>32</b>
Guard Chain Front.....	32
Guard Chain Rear.....	34
Guard Metal Rear.....	36
Guard Rubber Front.....	38
Guard Rubber Rear.....	40
<b>Section 5: Decal Placement.....</b>	<b>42</b>
Decal Placement.....	42
Land Pride Touch-up Paints.....	44
<b>Section 6: Options &amp; Accessories.....</b>	<b>46</b>
Blade Carrier Kit.....	46
Breakaway Lights Retro-Fit (326-956A).....	48
Shredder Kit 30" Rows.....	50
Shredder Kit 38" and 40" Rows.....	52
Shredder Kit W/O Fixed Blades.....	54
<b>Part Number Index.....</b>	<b>56</b>

© Copyright 2019. All rights reserved.

Land Pride provides this publication "as is" without warranty of any kind, either expressed or implied. While every precaution has been taken in the preparation of this manual, Land Pride assumes no responsibility for errors or omissions. Neither is any liability assumed for damages resulting from the use of the information contained herein. Land Pride reserves the right to revise and improve its products as it sees fit. This publication describes the state of this product at the time of its publication, and may not reflect the product in the future. The illustrations in this manual are not intended for safe and proper assembly or disassembly of equipment. The illustrations are intended for ordering parts only.

Land Pride is registered trademark.

All other brands and product names are trademarks or registered trademarks of their respective holders.

*Printed in the United States of America.*



## Alphabetized Table of Contents

---

### B

Blade Carrier Kit.....	46
Blade Drive.....	14
Breakaway Lights Retro-Fit (326-956A).....	48
Breakaway Lights S/N 928899-.....	6
Breakaway Lights S/N 928900+.....	8

### D

Decal Placement.....	42
Deck & Hitch Components.....	10
Directional Coupler Components B6502.....	16
Directional Coupler Components B6503.....	18
Driveline Intermediate (826-782C).....	20
Driveline Intermediate (826-796C).....	22
Driveline Main (826-780C).....	24
Driveline Main (826-781C).....	26

### G

Gauge Wheel Components.....	12
Gearbox 1000 RPM LH & RH (826-317C).....	28
Gearbox Center (826-784C).....	30
Guard Chain Front.....	32
Guard Chain Rear.....	34
Guard Metal Rear.....	36
Guard Rubber Front.....	38
Guard Rubber Rear.....	40

### L

Land Pride Touch-up Paints.....	44
---------------------------------	----

### S

Shredder Kit 30" Rows.....	50
Shredder Kit 38" and 40" Rows.....	52
Shredder Kit W/O Fixed Blades.....	54

# General Information

## Using This Manual

This manual is divided into sections. The first section contains General Information. The remaining sections divide the machine into segments (i.e. Frames, Drives, Hydraulics, etc.) which illustrate and list all parts. A Parts Number Index is located at the back of the book.

The Land Pride parts in this manual are specially designed for this machine and should be replaced with Land Pride parts only.

The information in this manual is current at time of printing. Some parts may change to assure top performance.

Right-hand and left-hand as used in this manual are determined by facing the direction the machine will travel while in use.

Below is an example of two facing pages from a parts manual. Familiarize yourself with the type of information contained on these pages.

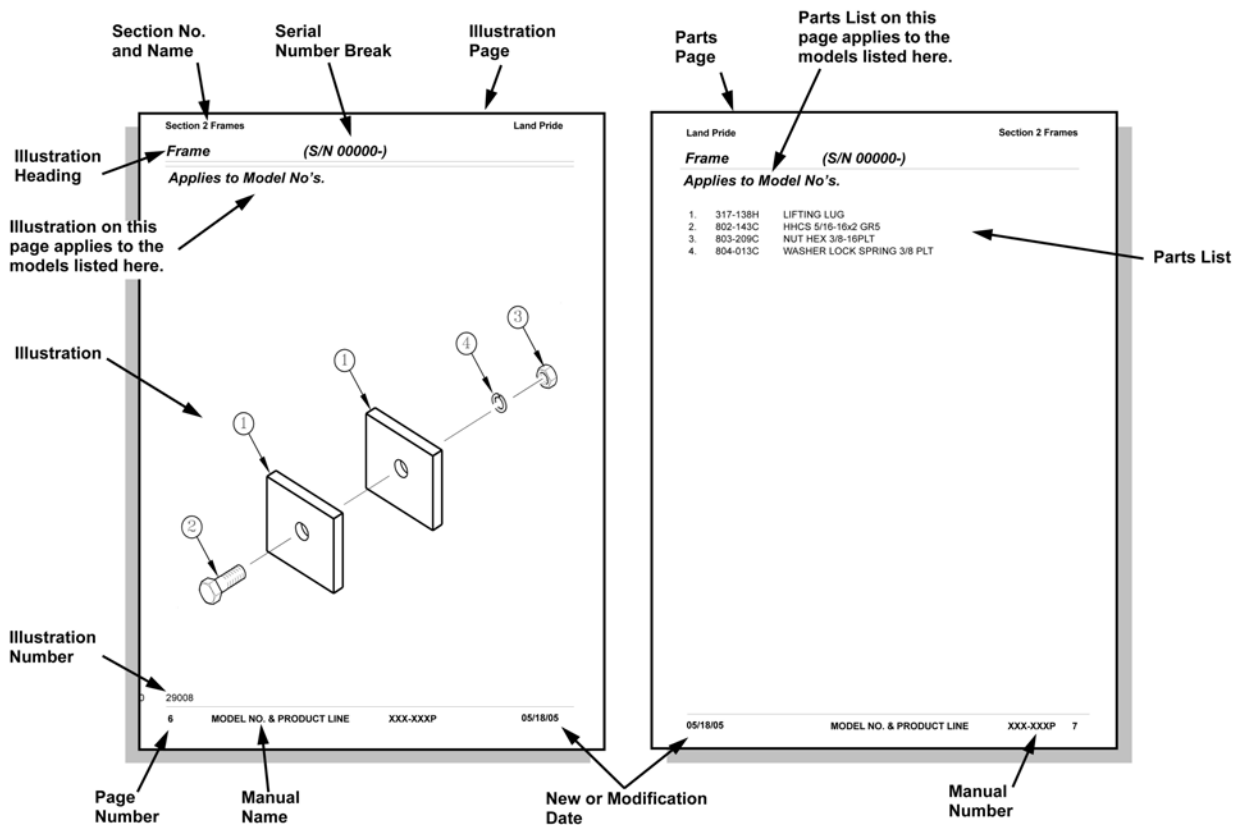
## Manual Replacement Information

Replacement manuals are available. Refer to our website at [www.landpride.com](http://www.landpride.com) or e-mail us at [lit@landpride.com](mailto:lit@landpride.com) for additional information. Our website continues to provide the most up-to-date manuals available.

## Touch-up Paint

Repaint parts where paint is worn or scratched to prevent rust. Aerosol cans and touch-up bottles with brush applicator are available through your local dealer. Also available are quart and gallon size paints. Add QT or GL to end of the Aerosol P/N.

Land Pride color descriptions and part numbers are listed on the "Land Pride Touch-up Paints" page in the "Decals" section of this book. Color options vary by product.



## General Information

### Hardware Legend

<b>AR</b>	As Required
<b>BLADE</b>	Blade Bolt
<b>C</b>	Cap Screw
<b>CP</b>	Cotter Pin
<b>CPHSSS</b>	Cup Point Hex Socket Set Screw
<b>CPSHSS</b>	Cup Point Square Head Set Screw
<b>CPSQHSS</b>	Cup Point Square Head Set Screw
<b>CRFCHMS3</b>	Cross Recess Flat Countersunk Head Machine Screw
<b>CRPHMS</b>	Cross Recess Pan Head Machine Screw
<b>CRPHTF</b>	Cross Recess Pan Head Thread Forming
<b>CRRHMS</b>	Cross Recess Round Head Machine Screw
<b>CRTHMS</b>	Cross Recess Truss Head Machine Screw
<b>CSNB</b>	Countersunk Square Neck Bolt
<b>FHMS</b>	Flat Head Machine Screw
<b>FTC</b>	Full Thread Cap Screw
<b>H</b>	Hex Nut
<b>HCLN</b>	Hex Center Lock Nut
<b>HFLCS</b>	Hex Flange Lock Cap Screw
<b>HFS</b>	Hex Flange Screw
<b>HFSLN</b>	Hex Flange Serrated Lock Nut
<b>HFSS</b>	Hex Flange Serrated Screw
<b>HHCS</b>	Hex Head Cap Screw or Metric Bolt
<b>HSBHCS</b>	Hex Socket Button Head Cap Screw
<b>HSFCHCS</b>	Hex Socket Flat Countersunk Head Cap Screw
<b>HSHCS</b>	Hex Socket Head Cap Screw
<b>HSSS</b>	Hex Socket Head Screw
<b>HTLN</b>	Hex Top Lock Nut
<b>HWHCS</b>	Hex Washer Head Cap Screw

<b>HWHMS</b>	Hex Washer Head Machine Screw
<b>HXBHCS</b>	Hex Socket Button Head Cap Screw
<b>J</b>	Hex Jam Nut
<b>JIC</b>	37 Degree Tapered Thread
<b>L</b>	Helical Spring Lock Washer
<b>LUG</b>	Lug Bolt
<b>NFC</b>	National Fine Cap Screw
<b>NPSM</b>	National Pipe Straight Mechanical
<b>NPTF</b>	National Pipe Taper Fuel
<b>P</b>	Wide Plain Washer
<b>PHMS</b>	Pan Head Machine Screw
<b>PLOW</b>	Plow Bolt
<b>RHMS</b>	Round Head Machine Screw
<b>RHSNB</b>	Round Head Square Neck Bolt
<b>SCREW LEVELING</b>	Leveling Screw
<b>SCREW THUMB</b>	Thumb Screw
<b>SCREW WELD</b>	Weld Screw
<b>SFCHMS</b>	Slotted Flat Countersunk Head Machine Screw
<b>SFHMS</b>	Slotted Fillister Head Machine Screw
<b>SP</b>	Special
<b>SP SCREW</b>	Special Screw
<b>SQHSS</b>	Square Head Set Screw
<b>SRHMS</b>	Slotted Round Head Machine Screw
<b>SSS</b>	Socket Set Screw
<b>STCS</b>	Self Tapping Cap Screw
<b>STHMS</b>	Slotted Truss Head Machine Screw
<b>WHEEL</b>	Wheel Studs and Hub Long Bolts
<b>WING</b>	Wing Bolt

### Replacement Hardware

The **Hardware Legend** above lists hardware abbreviations used in the parts list. All bolts and nuts are Grade 5 unless otherwise noted. The use of improper grades of hardware can result in personal injury, damage to equipment, or loss of property.

### Colored Replacement Parts

Land Pride offers replacement parts in factory standard colors and also on select models in Green, Orange, Red and Blue. Because of the variety of colors available, special attention must be given to the part number to prevent ordering the wrong replacement part.

A suffix number corresponding to one of the colors below must be added at the end of Land Pride's part number when ordering a replacement part with that color.

**81 . . . . . Green      83 . . . . . Red**  
**82 . . . . . Orange    84 . . . . . Blue**

For example, if you are ordering a replacement part with part number 555-555C and the part you need is red, then add the suffix 83 to the end of the number to make the part number read 555-555C83. Parts ordered without a suffix number will be supplied in factory standard colors.

### Black Replacement Parts

Some parts are factory standard black and some must be special ordered black. If your part is special ordered black, a second part number with the additional suffix number 85 on the end will be available. In this situation you must order that part with the suffix number for it to be black. Parts that are factory standard black will not have the suffix number.

### Part Number Service Coding

Within the parts list some part numbers are coded for revisions and interchangeability. See notations in revision column.

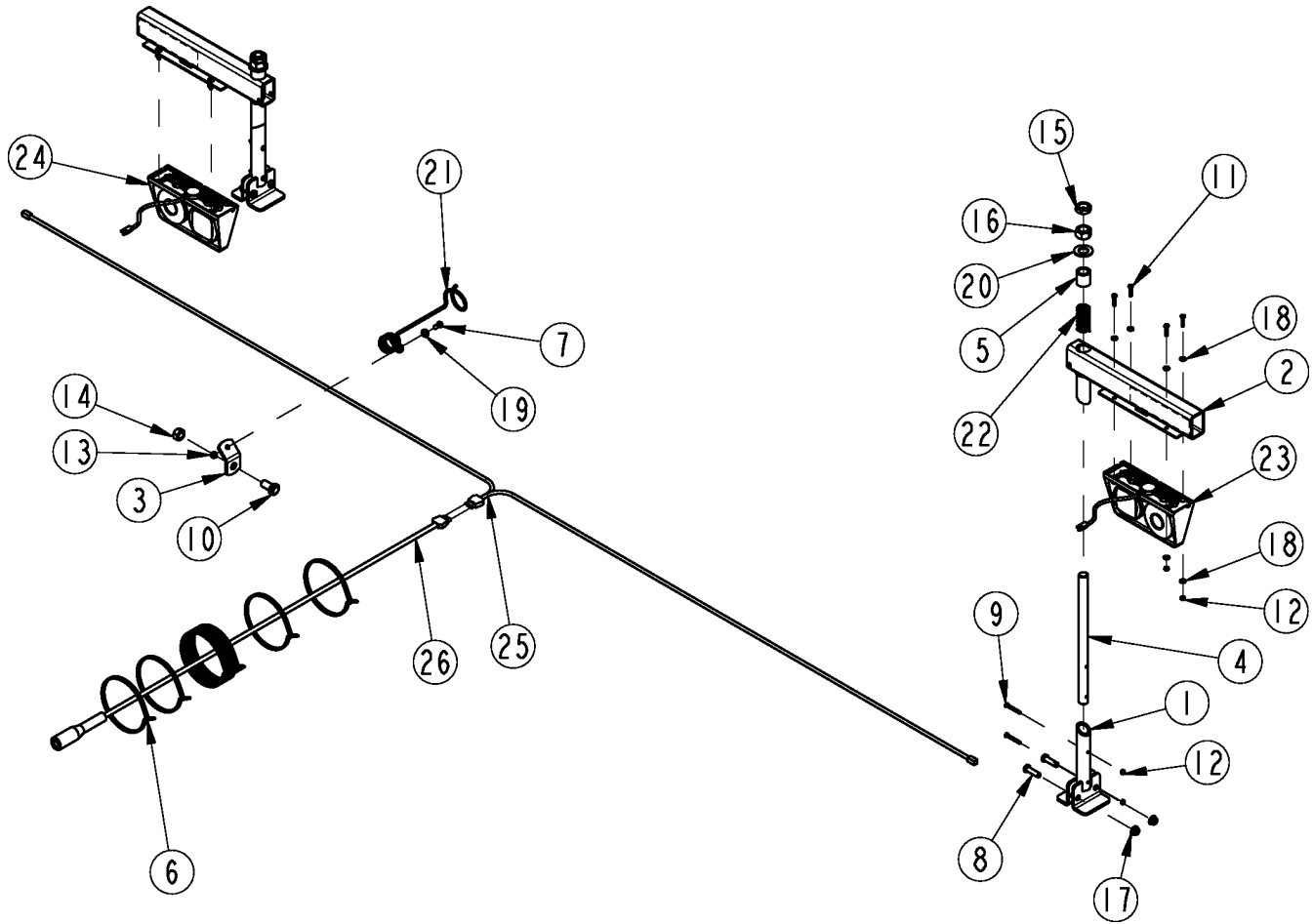
### Serial Numbers

Always use the serial and model number when ordering parts. Refer to the Operator's Manual for serial number plate location.

- (S/N 20001+)                      Includes serial numbers 20001 and above (to the latest number)
- (S/N 10001 to 20000)           Includes serial numbers between and including 10001 and 20000
- (S/N 10000-)                      Includes serial numbers 10000 and below (to the earliest number)

**Breakaway Lights S/N 928899-**

Applies to RCFM4014



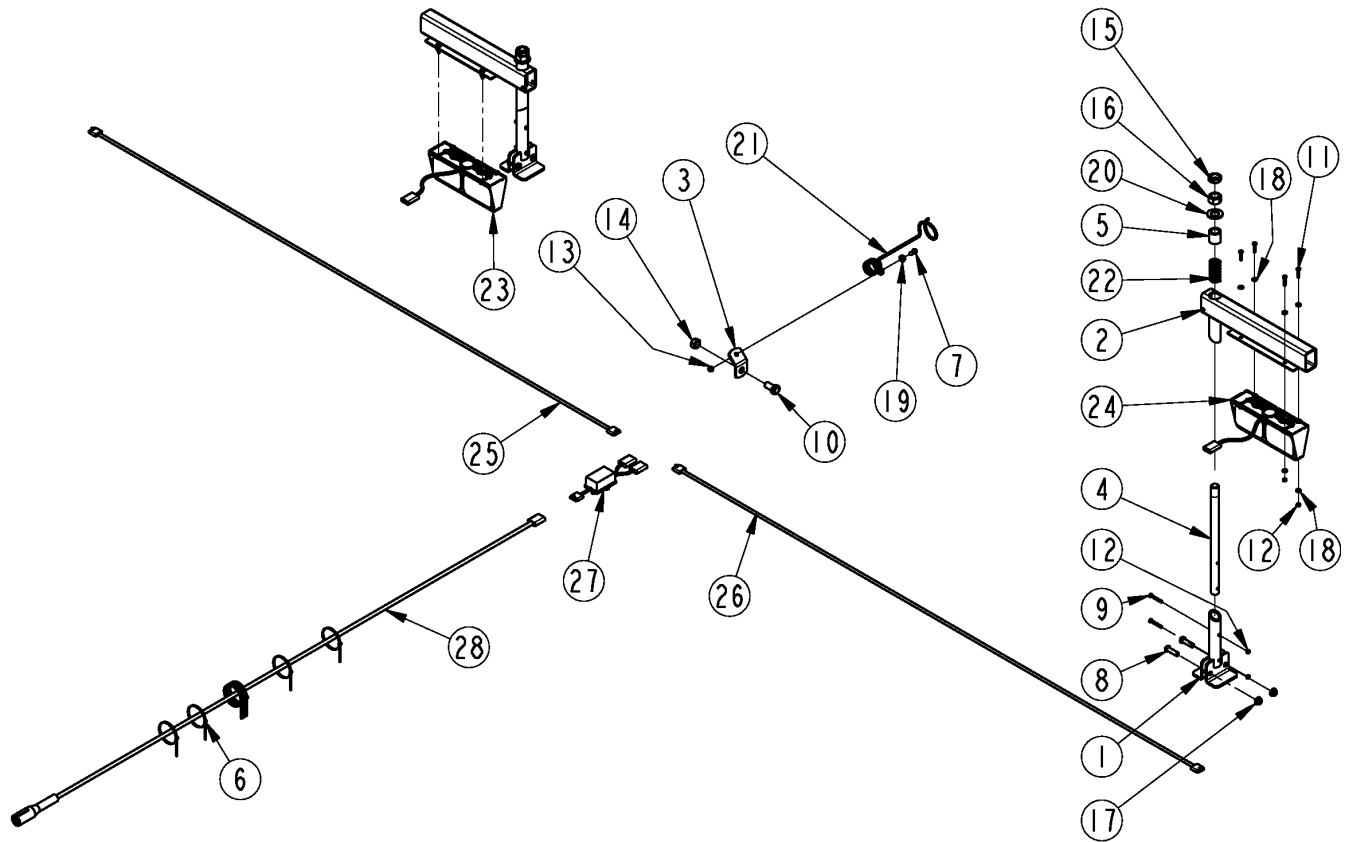
35895

**Breakaway Lights S/N 928899-****Applies to RCFM4014**

<b>Ref</b>	<b>Part No.</b>	<b>Part Description</b>	<b>Comments</b>	<b>Revision</b>
	Dwg 35895 326-764A	Drawing Image Number 4014 BREAKAWAY LIGHT KIT *		
1.	326-762H	LIGHT BRACKET MNT		
2.	326-763H	BREAKAWAY LIGHT MOUNT WDMNT		
3.	327-376D	HOSE HOLDER BRACKET 45DEG		
4.	327-379D	LIGHT PIVOT BAR		
5.	327-382D	SPRING BUSHING		
6.	800-082C	CABLE TIE .31X21.5 6DIA 120LB		
7.	802-017C	HHCS 3/8-16X1 GR5		
8.	802-082C	HHCS 1/2-13X1 3/4 GR5		
9.	802-152C	HHCS 1/4-20X2 GR5		
10.	802-184C	HHCS 3/4-10X1 1/2 GR5		
11.	802-224C	HHCS 1/4-20X1 1/4 GR5		
12.	803-007C	NUT LOCK 1/4-20 PLT		
13.	803-013C	NUT LOCK 3/8-16 PLT		
14.	803-026C	NUT LOCK 3/4-10 PLT		
15.	803-030C	NUT HEX JAM 1-8 PLT		
16.	803-031C	NUT HEX 1-8 PLT		
17.	803-169C	NUT HEX FLG LOCK 1/2-13 PLT		
18.	804-007C	WASHER FLAT 1/4 SAE PLT		
19.	804-012C	WASHER FLAT 3/8 SAE PLT		
20.	804-029C	WASHER FLAT 1 SAE		
21.	807-023C	SPRING HOSE LOOP		
22.	807-212C	SPRING COMP 1.4OD .162W 3LG		
23.	890-311C	DUAL AG LIGHTS LH		
24.	890-312C	DUAL AG LIGHTS RH		
25.	890-390C	LIGHT HARNESS, 10' WISHBONE		
26.	890-640C	LIGHT HARNESS, 5' LEAD		

**Breakaway Lights S/N 928900+**

Applies to RCFM4014



37626

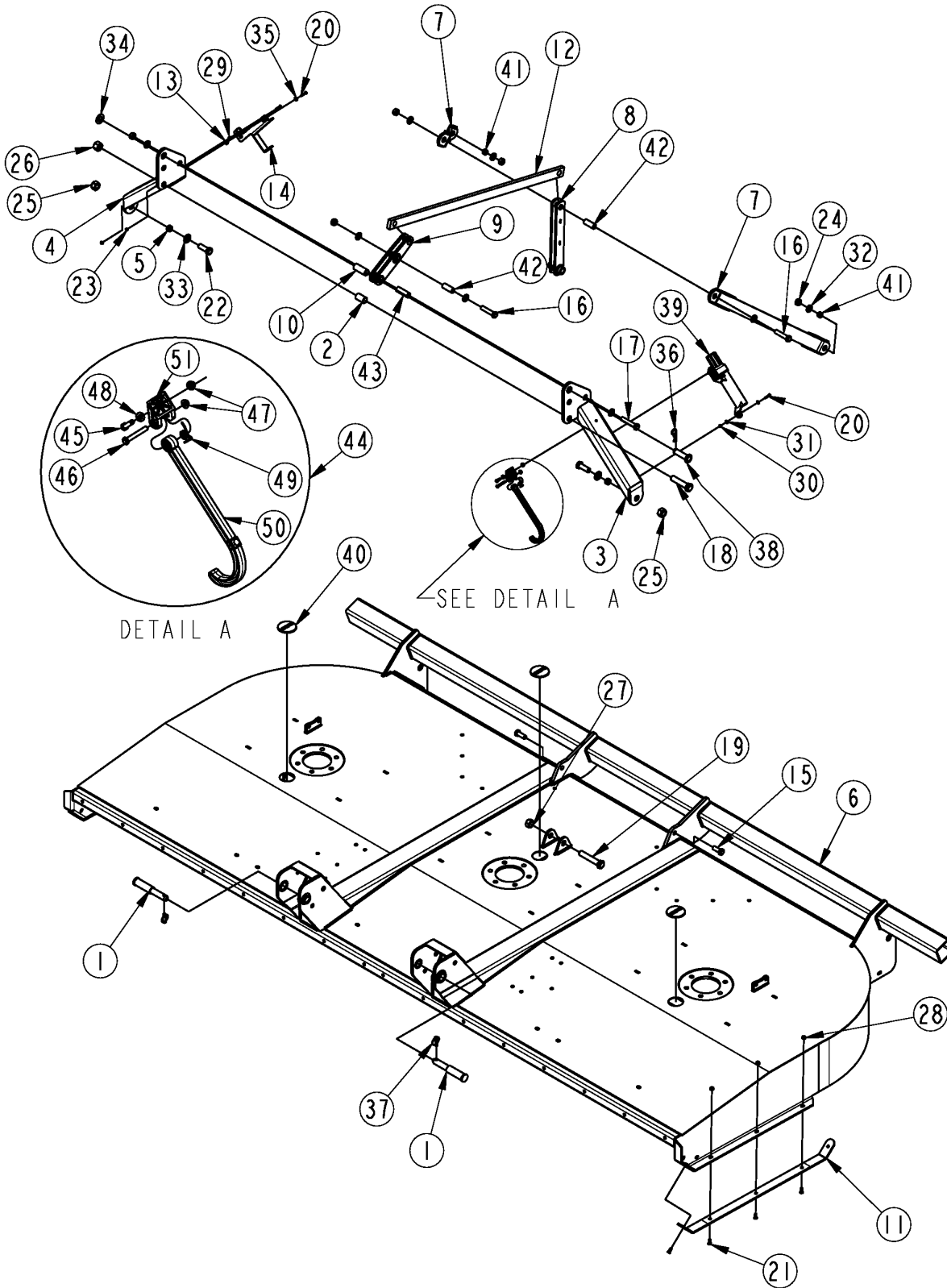


**Breakaway Lights S/N 928900+****Applies to RCFM4014**

Ref	Part No.	Part Description	Comments	Revision
	Dwg 37626	Image No.		
	326-956A	4014 BREAKAWAY LIGHT KIT	S/N 1150618+ Lights are now standard	
	326-764A	4014 BREAKAWAY LIGHT KIT *	S/N 1150617- Lights were optional	
1.	326-762H	LIGHT BRACKET MNT		
2.	326-763H	BREAKAWAY LIGHT MOUNT WDMNT		
3.	327-376D	HOSE HOLDER BRACKET 45DEG		
4.	327-379D	LIGHT PIVOT BAR		
5.	327-382D	SPRING BUSHING		
6.	800-060C	CABLE TIE .19X14.25 3DIA 50LB		
7.	802-017C	HHCS 3/8-16X1 GR5		
8.	802-082C	HHCS 1/2-13X1 3/4 GR5		
9.	802-152C	HHCS 1/4-20X2 GR5		
10.	802-184C	HHCS 3/4-10X1 1/2 GR5		
11.	802-224C	HHCS 1/4-20X1 1/4 GR5		
12.	803-007C	NUT LOCK 1/4-20 PLT		
13.	803-013C	NUT LOCK 3/8-16 PLT		
14.	803-026C	NUT LOCK 3/4-10 PLT		
15.	803-030C	NUT HEX JAM 1-8 PLT		
16.	803-031C	NUT HEX 1-8 PLT		
17.	803-169C	NUT HEX FLG LOCK 1/2-13 PLT		
18.	804-007C	WASHER FLAT 1/4 SAE PLT		
19.	804-012C	WASHER FLAT 3/8 SAE PLT		
20.	804-029C	WASHER FLAT 1 SAE		
21.	807-023C	SPRING HOSE LOOP		
22.	807-212C	SPRING COMP 1.4OD .162W 3LG		
23.	891-522C	DUAL LED LIGHT LH	Complete light assembly	
23.	J-37-R	RED LED LENS MODULE	Red lens	
23.	J-37-A	AMBER LED LENS MODULE	Amber lens	
23.	J-AC1-15-B	BLACK LENS COVER	Black lens	
24.	891-523C	DUAL LED LIGHT RH	Complete light assembly	
24.	J-37-R	RED LED LENS MODULE	Red lens	
24.	J-37-A	AMBER LED LENS MODULE	Amber lens	
24.	J-AC1-15-B	BLACK LENS COVER	Black lens	
25.	891-529C	LIGHT WIRE HARNESS 8'		
26.	891-530C	RPBY 891-529C	Obsolete	
27.	891-531C	ENHANCE MODULE	S/N 1150617-	
28.	891-532C	LEAD WIRE HARNESS 8'		

# Deck & Hitch Components

Applies to RCFM4014



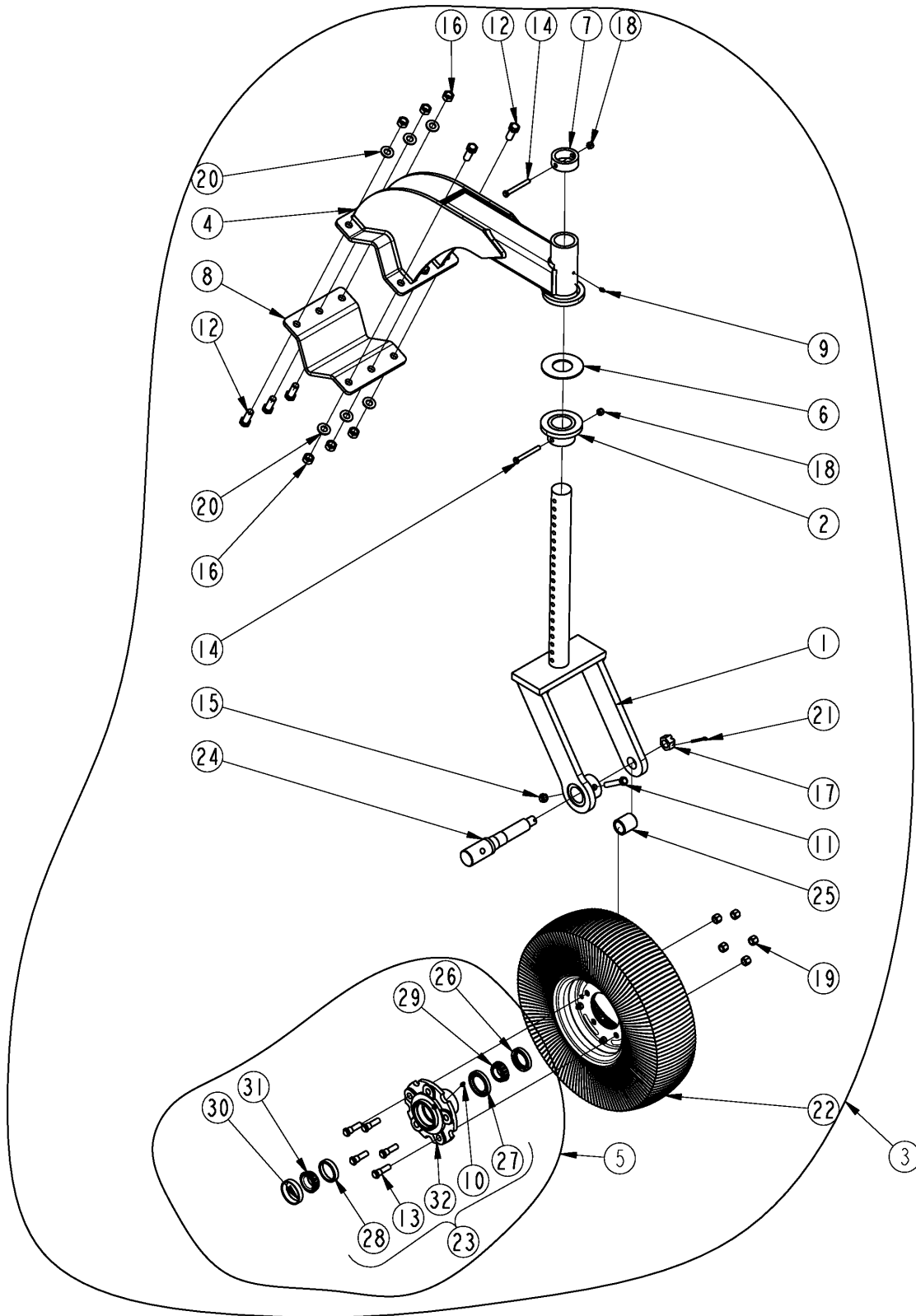
35880

**Deck & Hitch Components****Applies to RCFM4014**

Ref	Part No.	Part Description	Comments	Revision
	Dwg 35880	Drawing Image Number		
1.	300-236D	HITCH PIN CAT. II & III		
2.	312-821D	BSHG 1 1/4ODX1 1/32IDX2 1/16LG		
3.	326-222H	A-FRAME LH		
4.	326-223H	A-FRAME RH		
5.	326-591D	HITCH MOUNT BSHG		
6.	326-670H	4014 DECK WELDMENT		
6.	326-670H81	4014 DECK WELDMENT - GREEN		
6.	326-670H82	4014 DECK WELDMENT - ORANGE		
6.	326-670H83	4014 DECK WELDMENT - RED		
7.	326-797H	REAR BRACE		
8.	326-798H	REAR VERTICAL BRACE		
9.	326-799H	FLOATING TOP LINK		
10.	326-821D	HITCH TUBE		
11.	327-304D	SKID SHOE		
12.	327-329D	REAR BRACE STRAIGHT LONG		
13.	327-385D	PTO MNT BUSHING	S/N 942540-	
14.	327-386D	PTO HANGER	S/N 942540-	
15.	802-064C	HHCS 3/4-10X2 GR5		
16.	802-066C	HHCS 3/4-10X3 1/2 GR5		
17.	802-068C	HHCS 3/4-10X4 GR5		
18.	802-098C	HHCS 1-8X4 1/2 GR5		
19.	802-205C	HHCS 1-8X5 1/2 GR5		
20.	802-224C	HHCS 1/4-20X1 1/4 GR5		
21.	802-603C	PLOW 3/8-16X1 GR5		
22.	802-908C	HHCS 7/8-9X2 1/2 GR5		
23.	803-007C	NUT LOCK 1/4-20 PLT	S/N 942540-	
24.	803-026C	NUT LOCK 3/4-10 PLT		
25.	803-028C	NUT NY-LOK 7/8-9 PLT		
26.	803-038C	NUT HEX 1-8 NYLON INSERT PLT		
27.	803-168C	NUT HEX TOP LOCK 1-8 PLT		
28.	803-198C	NUT HEX WHIZ 3/8-16 PLT		
29.	803-230C	NUT HEX FLANGE 1/4-20 PLT	S/N 942540-	
30.	803-255C	NUT HEX NYLOCK 1/4-20		
31.	804-007C	WASHER FLAT 1/4 SAE PLT		
32.	804-025C	WASHER FLAT 3/4 SAE PLT		
33.	804-026C	WASHER FLAT 7/8 SAE PLT		
34.	804-029C	WASHER FLAT 1 SAE		
35.	804-075C	WASHER FLAT 1/4 USS PLT	S/N 942540-	
36.	805-088C	PIN, HAIR COTTER 3/16 WIRE DIA		
37.	805-103C	PIN LINCH 7/16 X 1 3/4		
38.	805-351C	PIN CLVS 1.0X3.38 USBL		
39.	816-504C	MANUAL STORAGE CONTAINER		
40.	840-273C	PLUG LP 3" ID RUBBER		
41.	891-458C	BSHG 1OD X 11GW X .56		
42.	891-462C	BUSHING 1OD X 11GWL X 2.56		
43.	891-463C	BUSHING 1OD X 11GWL X 3.06		
44.	327-143S	DRIVELINE HOLDER W/HARDWARE	S/N 945241+	
45.	802-010C	HHCS 5/16-18X1 1/4 GR5	S/N 945241+	
46.	802-138C	HHCS 5/16-18X2 1/4 GR5	S/N 945241+	
47.	803-177C	NUT HEX LOCK 5/16-18 FLG.	S/N 945241+	
48.	804-036C	WASHER FLAT 5/16 SAE PLT	S/N 945241+	
49.	807-350C	SPRING TORSION DRIVELINE HLDER	S/N 945241+	
50.	837-062C	DRIVELINE HOOK	S/N 945241+	
51.	837-063C	MOUNT DRIVELINE HOOK	S/N 945241+	

# Gauge Wheel Components

Applies to RCFM4014



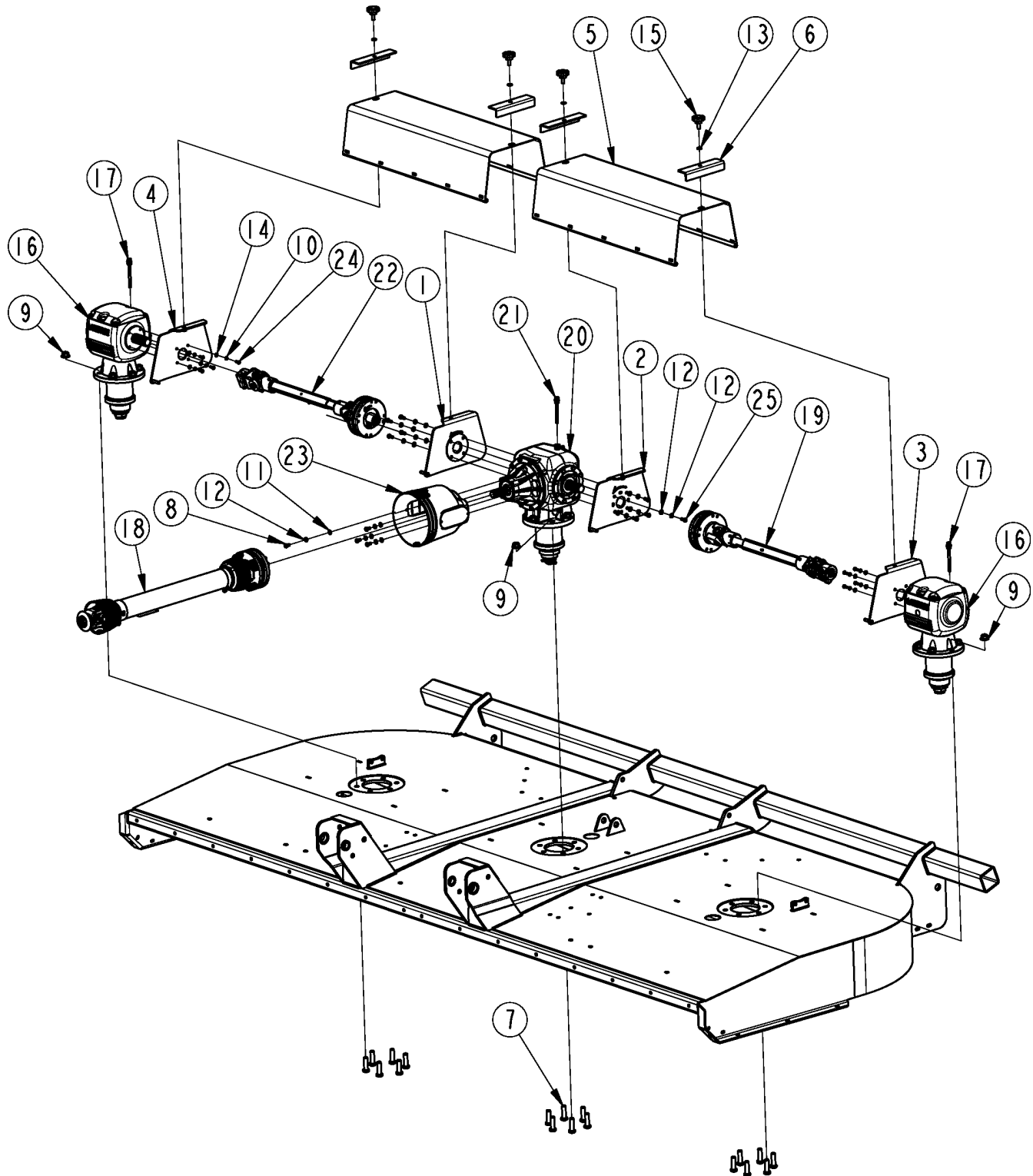
35881

**Gauge Wheel Components****Applies to RCFM4014**

<b>Ref</b>	<b>Part No.</b>	<b>Part Description</b>	<b>Comments</b>	<b>Revision</b>
	Dwg 35881	Drawing Image Number		
1.	326-679H	ADJ YOKE 21" LAM		
2.	326-680H	ADJ COLLAR		
3.	326-766L	21" RIGID TAIL WHEEL 14'		
4.	326-767H	RIGID TRAILING ARM		
5.	326-770V	5-BOLT HUB COMPLETE		
6.	327-318D	TAILWHEEL WASHER		
7.	327-321D	TOP COLLAR		
8.	327-387D	TUBE CLAMP 4"		
9.	800-001C	GREASE ZERK STRAIGHT 1/4-28		
10.	800-080C	GREASE ZERK 1/4-28 THD FORMING		
11.	802-039C	HHCS 1/2-13X3 GR5		
12.	802-053C	HHCS 5/8-11X1 3/4 GR5		
13.	802-779C	HUB STUD 1/2-20X1.88 GR5		
14.	802-849C	HHCS 3/8-16X3 1/4 GR8		
15.	803-019C	NUT LOCK 1/2-13 PLT		
16.	803-024C	NUT LOCK 5/8-11 PLT		
17.	803-029C	NUT HEX SLOTTED 7/8-14 PLT		
18.	803-078C	NUT LOCK 3/8-16 NYLON INSERT		
19.	803-310C	NUT HEX 1/2-20 X 5/8 HIGH		
20.	804-021C	WASHER FLAT 5/8 SAE PLT		
21.	805-058C	PIN COTTER 3/16 X 2		
22.	814-265C	TIRE & WHL LAM. 6X9X21(5-BOLT)		
23.	815-243C	HUB 5-BOLT W/CUPS/STUDS		
24.	815-476C	SPINDLE, BOLT ON 7/8-14		
25.	815-477C	HUB SPACER		
26.	816-286C	OIL SEAL DBL LIP 2.441 BORE		
27.	816-497C	SEAL 1.75ID CR17617		
28.	822-020C	BRG CUP LM-67010		
29.	822-021C	BRG CONE 1.25ID LM-67048		
30.	822-033C	BRG CUP LM-48510		
31.	822-034C	BRG CONE LM-48548		
32.	HT250	MACHINED 5-BOLT HUB		

# Blade Drive

Applies to RCFM4014



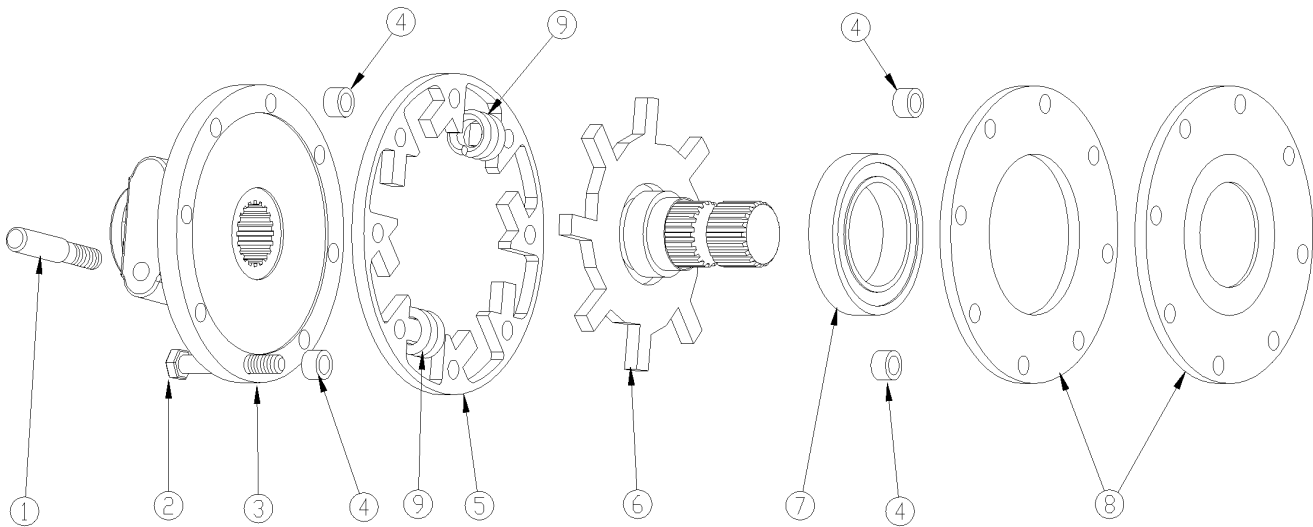
35893

**Blade Drive****Applies to RCFM4014**

Ref	Part No.	Part Description	Comments	Revision
	Dwg 35893	Drawing Image Number		
1.	326-752H	LARGE SHIELD BRACKET WLDMT M10	Washer added to this weldment at S/N 928900+	
2.	326-753H	LARGE SHIELD BRACKET WLDMT M10	Washer added to this weldment at S/N 928900+	
3.	326-754H	LARGE SHIELD BRACKET WLDMT		
4.	326-755H	LARGE SHIELD BRACKET WLDMT		
5.	327-373D	LARGE OUTER SHIELD 4014		
6.	327-460D	SHIELD CLAMP		
7.	802-212C	HHCS 3/4-10X2 1/2 GR5		
8.	802-403C	HHCS M10X1.5X20 GR8.8 THD-LCK		
9.	803-299C	NUT HEX FLG TOP LK 3/4-10 PLT		
10.	804-009C	WASHER LOCK SPRING 5/16 PLT		
11.	804-012C	WASHER FLAT 3/8 SAE PLT		
12.	804-014C	WASHER LOCK 7/16 PLT		
13.	804-015C	WASHER LOCK SPRING 1/2 PLT		
14.	804-036C	WASHER FLAT 5/16 SAE PLT		
15.	817-455C	KNOB 1/2-13 MALE THD 2 3/8OD		
16.	826-317C	GBOX RCM50 1:1.21 STD		
17.	826-486C	COMER U0.125.7003.00 DIPSTICK		
18.	826-780C	DRV 1.38 Z21 SC 39.7 CAT 5	1 3/8 X Z21 SPLINE	
18.	826-781C	DRV 1.75 Z20 SC 39.7 CAT 5	1 3/4 X Z20 SPLINE	
19.	826-782C	INT DRV CAT 4 38.93 CW		
20.	826-784C	RCM CENTER GBOX 1.22:1		
21.	826-785C	COMER 0.316.7100.00 DIPSTICK		
22.	826-796C	INT DRV CAT 4 38.93 CCW		
23.	837-101C	LAND PRIDE CONE		
23.	327-371D	4014 PTO CONE	This cone has been replaced with 837-101C	
24.	842-243C	HHCS M8X1.25X20 GR8.8 THD-LCK		
25.	842-339C	HHCS M10X1.5X25 GR8.8 THD-LCK	S/N 928900+ (842-339C replaces 802-403C here only)	

# Directional Coupler Components B6502

Applies to RCFM4014



35929



**Directional Coupler Components B6502**

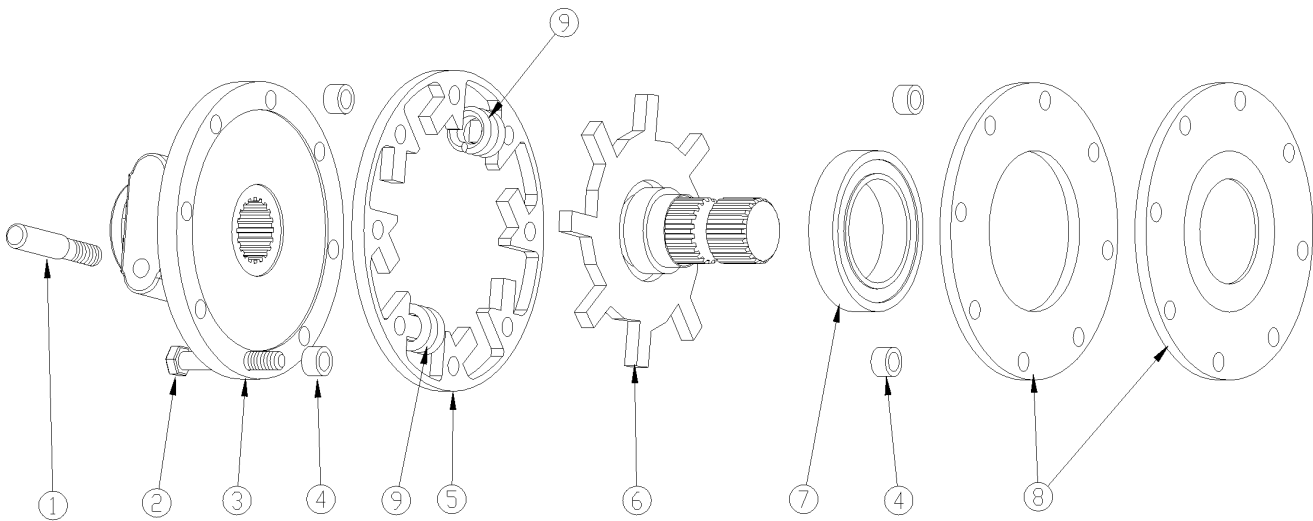
---

**Applies to RCFM4014**

<b>Ref</b>	<b>Part No.</b>	<b>Part Description</b>	<b>Comments</b>	<b>Revision</b>
	Dwg 35929 B6502	Drawing Image Number BARE-CO DIRECTIONAL CPLR CW *	Used with 826-782C LH Side	
1.	B3728	BARE-CO COTTER BOLT		
2.	Y10	BARE-CO 1/2X3-1/4 UNF G8 BOLT		
3.	B6532	BARE-CO 1-3/4 20 SPLINE BASE		
4.	B6523	BARE-CO SPACING COLLAR		
5.	B6524	BARE-CO OUTER SPIDER PLATE		
6.	B6528	BARE-CO SPIDER 1-3/4 20 SPL CW		
7.	B503_BA	BAARE-CO BRG 1-3/4 20 SPL		
8.	B6534	BARE-CO BRG HSG 1-3/4 20 SPL		
9.	B3727	BARE-CO DRIVE SPRING		

# Directional Coupler Components B6503

Applies to RCFM4014



35932

**Directional Coupler Components B6503**

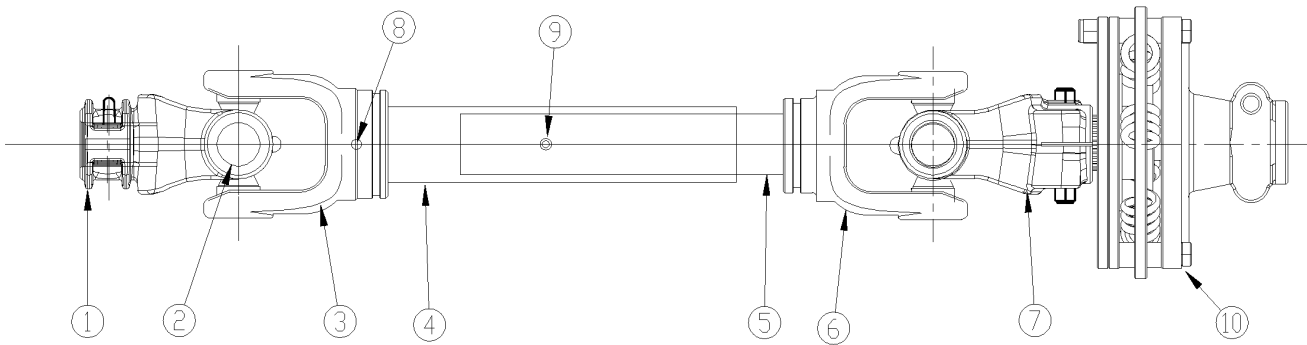
---

**Applies to RCFM4014**

<b>Ref</b>	<b>Part No.</b>	<b>Part Description</b>	<b>Comments</b>	<b>Revision</b>
	Dwg 35932 B6503	Drawing Image Number BARE-CO DIRECTIONAL CPLR CCW *	Use with 826-796C RH side	
1.	B3728	BARE-CO COTTER BOLT		
2.	Y10	BARE-CO 1/2X3-1/4 UNF G8 BOLT		
3.	B6532	BARE-CO 1-3/4 20 SPLINE BASE		
4.	B6523	BARE-CO SPACING COLLAR		
5.	B6524	BARE-CO OUTER SPIDER PLATE		
6.	B6537	BARE-CO SPDR 1-3/4 20 SPL CCW		
7.	B503_BA	BAARE-CO BRG 1-3/4 20 SPL		
8.	B6534	BARE-CO BRG HSG 1-3/4 20 SPL		
9.	B3727	BARE-CO DRIVE SPRING		

**Driveline Intermediate (826-782C)**

Applies to RCFM4014



35908

**Driveline Intermediate (826-782C)**

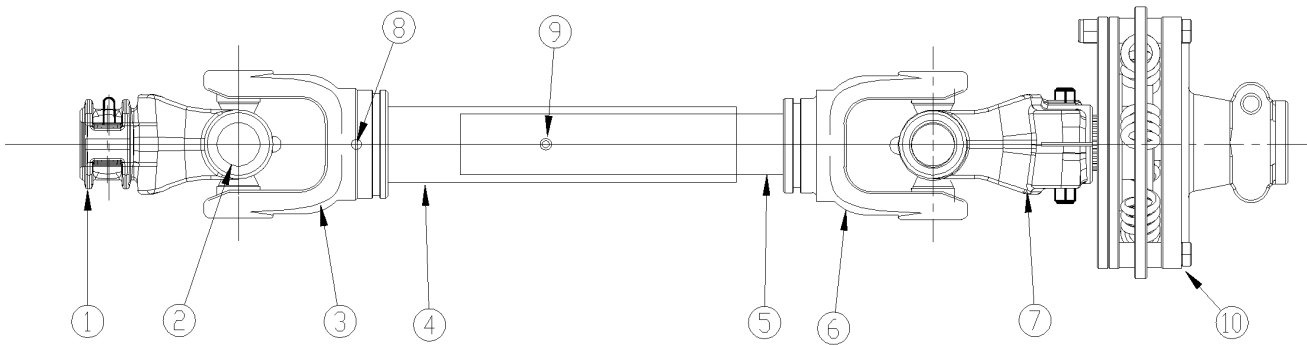
---

**Applies to RCFM4014**

<b>Ref</b>	<b>Part No.</b>	<b>Part Description</b>	<b>Comments</b>	<b>Revision</b>
	Dwg 35908 826-782C	Drawing Image Number INT DRV CAT 4 38.93 CW *	LH side	
1.	A824120	BARE-CO 1-3/4X20 SPL Q.R. YOKE		
2.	A824	BARE-CO CROSS BEARING		
3.	A8263	BARE-CO OUTER TUBE YOKE		
4.	A634	BARE-CO OUTER TUBE		
5.	A544	BARE-CO INNER TUBE		
6.	A8254	BARE-CO INNER TUBE YOKE		
7.	A824520	BARE-CO 1-3/4X20 SPL CLMP YOKE		
8.	A1090	BARE-CO ROLL PIN		
9.	YB821	BARE-CO GREASE NIPPLE		
10.	B6502	BARE-CO DIRECTIONAL CPLR CW		

**Driveline Intermediate (826-796C)**

Applies to RCFM4014



35930

**Driveline Intermediate (826-796C)**

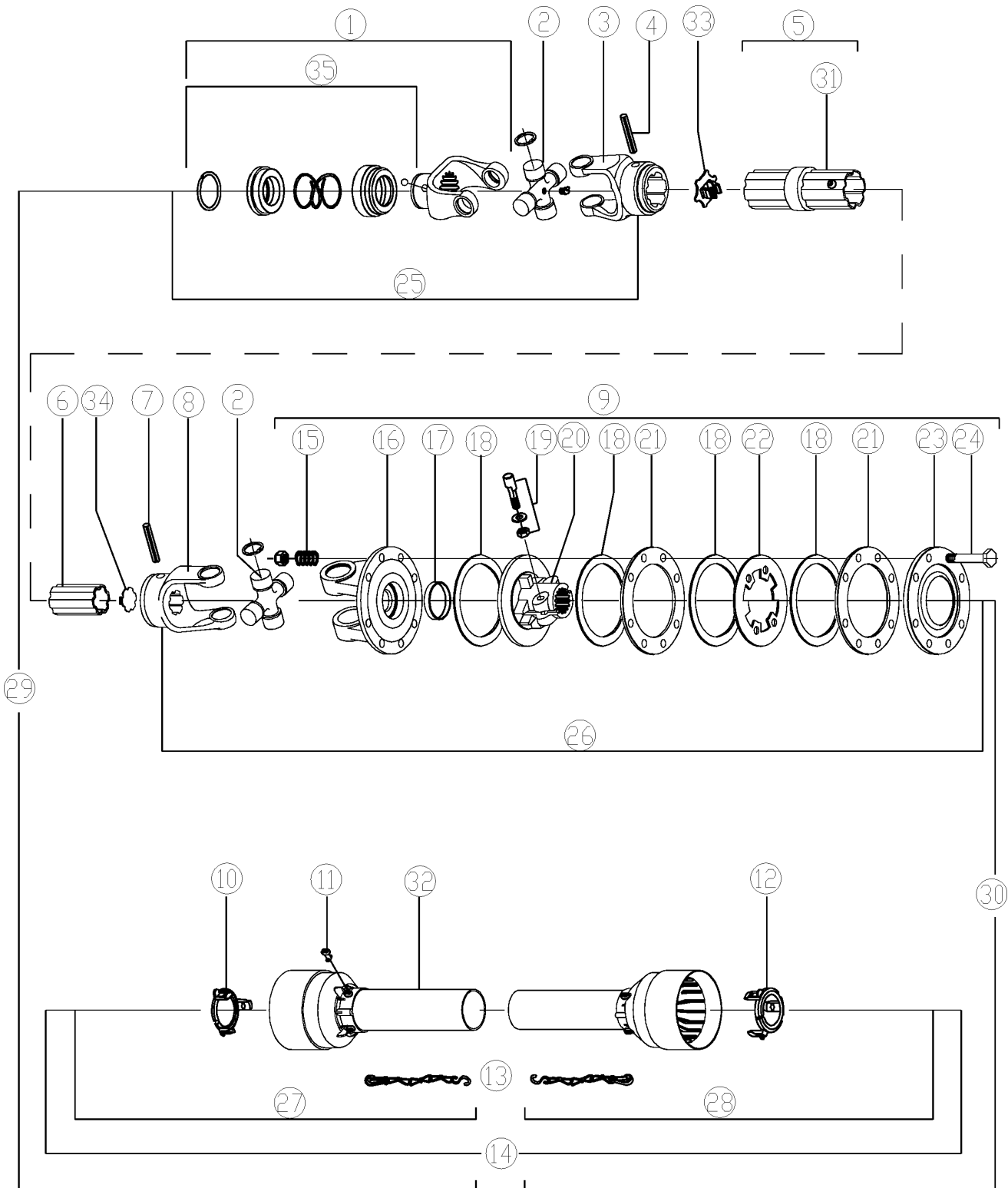
---

**Applies to RCFM4014**

<b>Ref</b>	<b>Part No.</b>	<b>Part Description</b>	<b>Comments</b>	<b>Revision</b>
	Dwg 35930 826-796C	Drawing Image Number INT DRV CAT 4 38.93 CCW *	RH side	
1.	A824120	BARE-CO 1-3/4X20 SPL Q.R. YOKE		
2.	A824	BARE-CO CROSS BEARING		
3.	A8263	BARE-CO OUTER TUBE YOKE		
4.	A634	BARE-CO OUTER TUBE		
5.	A544	BARE-CO INNER TUBE		
6.	A8254	BARE-CO INNER TUBE YOKE		
7.	A824520	BARE-CO 1-3/4X20 SPL CLMP YOKE		
8.	A1090	BARE-CO ROLL PIN		
9.	YB821	BARE-CO GREASE NIPPLE		
10.	B6503	BARE-CO DIRECTIONAL CPLR CCW		

# Driveline Main (826-780C)

Applies to RCFM4014



35904

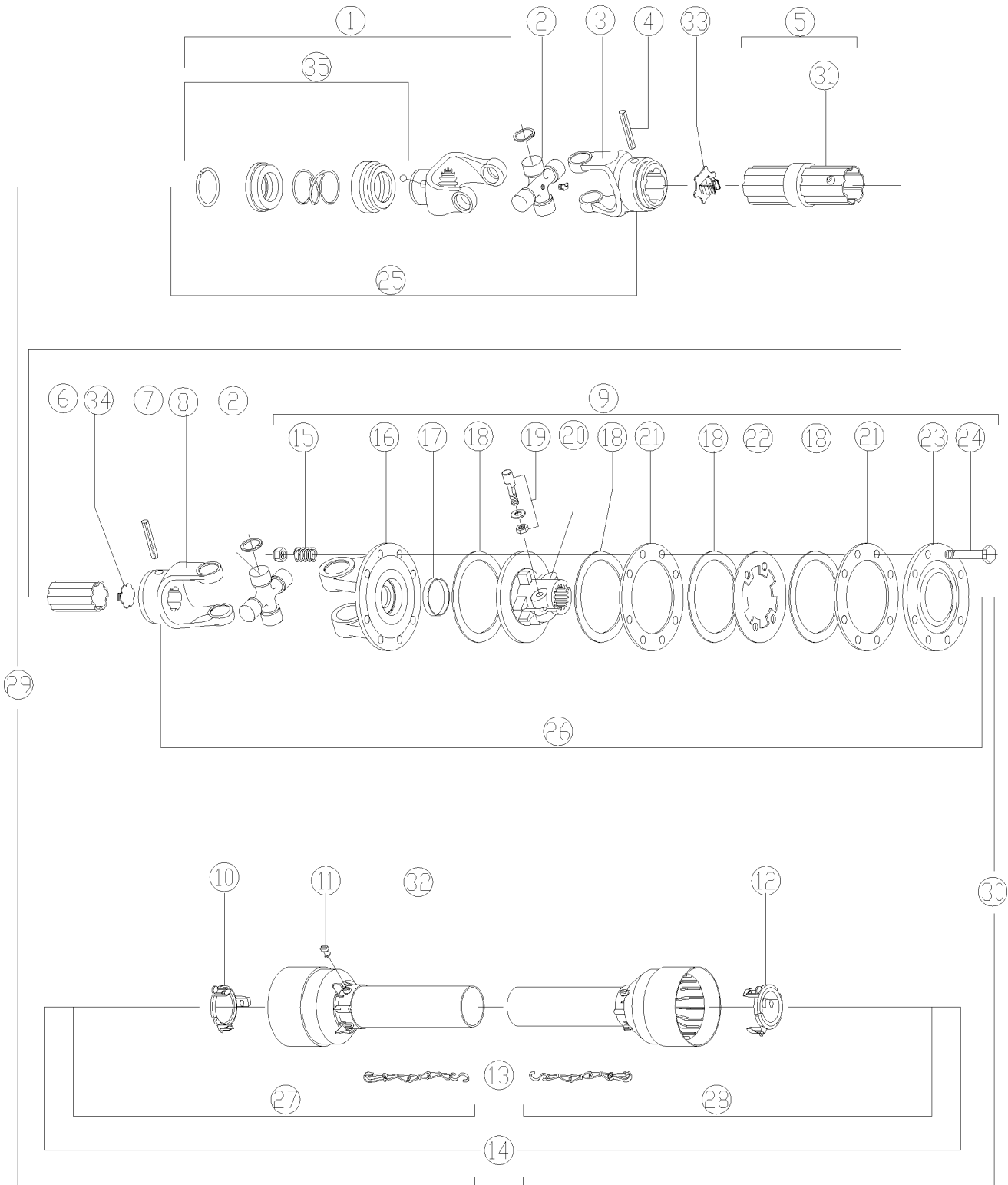


**Driveline Main (826-780C)****Applies to RCFM4014**

Ref	Part No.	Part Description	Comments	Revision
	Dwg 35904 826-780C	Drawing Image Number DRV 1.38 Z21 SC 39.7 CAT 5 *		
1.	141.028.426.1	CO COMPLETE COLLAR YOKE C13		
2.	180.018.004	COMER CROSS ASSEMBLY		
3.	151.018.241.1	COMER YOKE OUTER		
4.	190.000.243	COMER OUTER TUBE ROLL PIN		
5.	152.280.5597810	CO OUTER TUBE WITH LABEL		
5.	152.280.5627810	RPBY 152.280.5597810		
6.	159.280.161	COMER INNER TUBE		
6.	159.280.186	RPBY 159.280.161		
7.	190.000.271	COMER ROLL PIN FOR INNER TUBE		
8.	151.018.242.1	COMER INNER YOKE		
9.	146.284.020.1	COMER CLUTCH, DISC COMPLETE		
10.	180.018.251	COMER RETAINING COLLER INNER		
11.	180.014.240	COMER BOLT		
12.	180.018.252	COMER RETAINING COLLER INNER		
13.	180.016.790	CO SAFTEY CHAINS	S/N 928934-	
14.	142.286.2369821	CO GUARD W/ INSTRUCTION MANUAL		
15.	180.014.022	COMER SPRING		
16.	151.018.016.1	COMER YOKE, FLANGED		
17.	180.019.019	COMER BUSH		
18.	180.019.340	COMER LINING RING		
19.	165.000.589	COMER TAPERED PIN SET 1 3/4		
20.	151.018.228.1	COMER CLUTCH SUPPORT		
21.	180.019.014	COMER INNER PLATE		
22.	180.019.115	COMER INTERMEDIATE PLATE		
23.	180.019.116.1	COMER PRESSURE PLATE		
24.	165.000.548	COMER BOLT WITH NUT M10X100		
25.	N/A	CO U JOINT FOR OUTER TUBE		
26.	N/A	CO U JOINT FOR INNER TUBE		
27.	142.283.2309821	CO HALF FEMALE GUARD		
28.	142.287.1999821	CO HALF MALE GUARD		
29.	123.386.181.01	CO HALF FEMALE SHFT W/GUARDING		
30.	123.486.328.01	CO HALF MALE SHAFT W/GUARDING		
31.	190.000.098	COMER DANGER LABEL OUTER TUBE		
32.	190.000.099	COMER DANGER LABEL GUARD OUTER		
33.	180.018.393	COMER CAP OUTER TUBE, PLASTIC		
34.	180.018.435	COMER INNER CAP		
35.	165.000.628	COMER COLLER KIT 3/8 YOKE		

# Driveline Main (826-781C)

Applies to RCFM4014



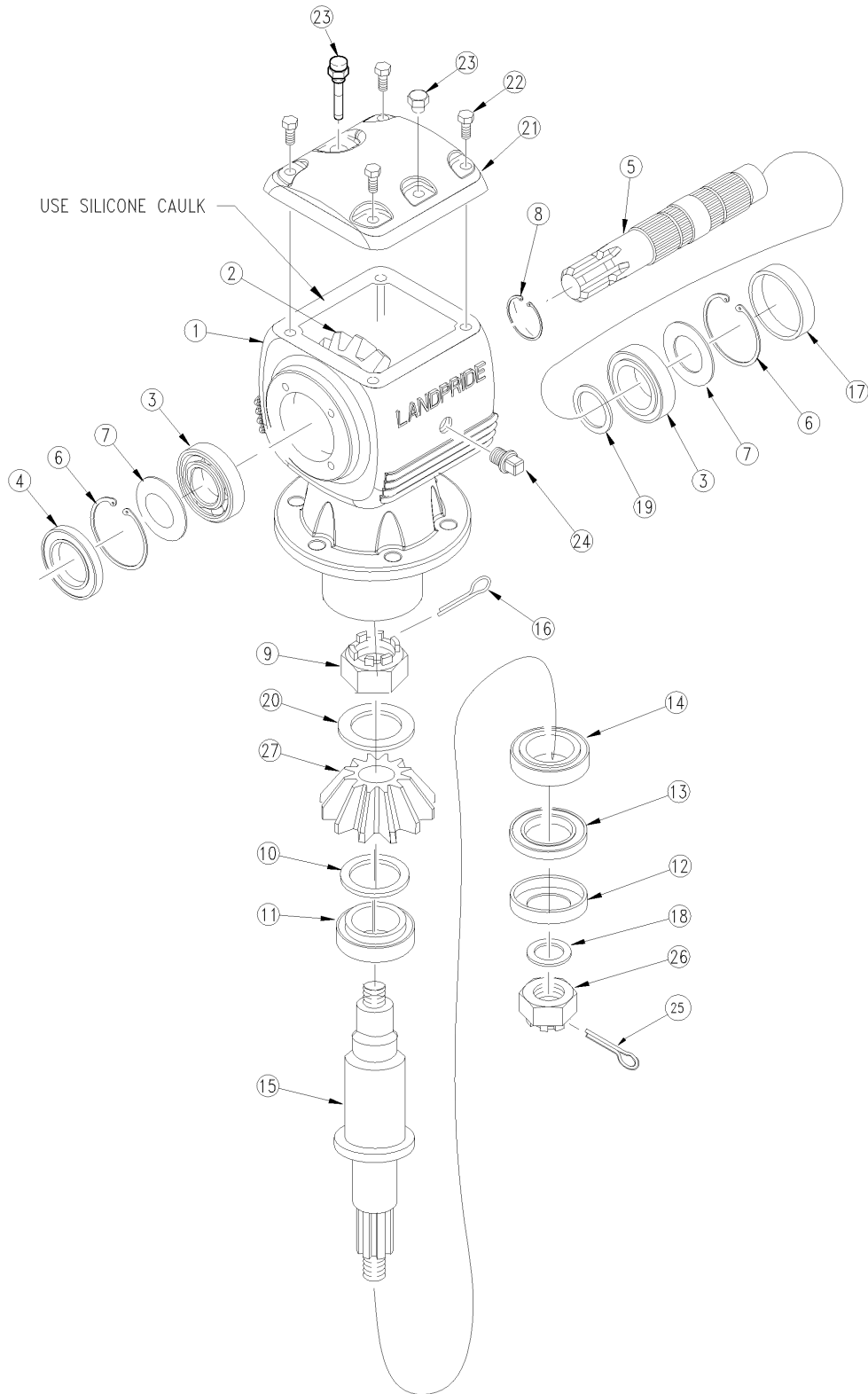
35897

**Driveline Main (826-781C)****Applies to RCFM4014**

Ref	Part No.	Part Description	Comments	Revision
	Dwg 35897 826-781C	Drawing Image Number DRV 1.75 Z20 SC 39.7 CAT 5 *		
1.	141.028.428.1	CO COMPLETE COLLAR YOKE C15		
2.	180.018.004	COMER CROSS ASSEMBLY		
3.	151.018.241.1	COMER YOKE OUTER		
4.	190.000.243	COMER OUTER TUBE ROLL PIN		
5.	152.280.5597810	CO OUTER TUBE WITH LABEL		
6.	159.280.161	COMER INNER TUBE		
7.	190.000.271	COMER ROLL PIN FOR INNER TUBE		
8.	151.018.242.1	COMER INNER YOKE		
9.	146.284.020.1	COMER CLUTCH, DISC COMPLETE		
10.	180.018.251	COMER RETAINING COLLER INNER		
11.	180.014.240	COMER BOLT		
12.	180.018.252	COMER RETAINING COLLER INNER		
13.	180.016.636	CO SAFETY CHAINS	S/N 928934-	
14.	142.286.2249821	CO GUARD W/ INSTRUCTION MAN		
15.	180.014.022	COMER SPRING		
16.	151.018.016.1	COMER YOKE, FLANGED		
17.	180.019.019	COMER BUSH		
18.	180.019.340	COMER LINING RING		
19.	165.000.589	COMER TAPERED PIN SET 1 3/4		
20.	151.018.228.1	COMER CLUTCH SUPPORT		
21.	180.019.014	COMER INNER PLATE		
22.	180.019.115	COMER INTERMEDIATE PLATE		
23.	180.019.116.1	COMER PRESSURE PLATE		
24.	165.000.548	COMER BOLT WITH NUT M10X100		
25.	N/A	CO U JOINT FOR OUTER TUBE		
26.	N/A	CO U JOINT FOR INNER TUBE		
27.	142.283.2179821	CO HALF FEMAL GUARD		
28.	142.287.1859821	CO HALF MALE GUARD		
29.	123.386.175.01	CO HALF FEMALE SHFT W/GUARDING		
30.	123.486.306.01	CO HALF MALE SHAFT W/GUARDING		
31.	190.000.098	COMER DANGER LABEL OUTER TUBE		
32.	190.000.099	COMER DANGER LABEL GUARD OUTER		
33.	180.018.393	COMER CAP OUTER TUBE, PLASTIC		
34.	180.018.435	COMER INNER CAP		
35.	165.000.629	COMER YOKE KIT COLLAR		

# Gearbox 1000 RPM LH & RH (826-317C)

Applies to RCFM4014



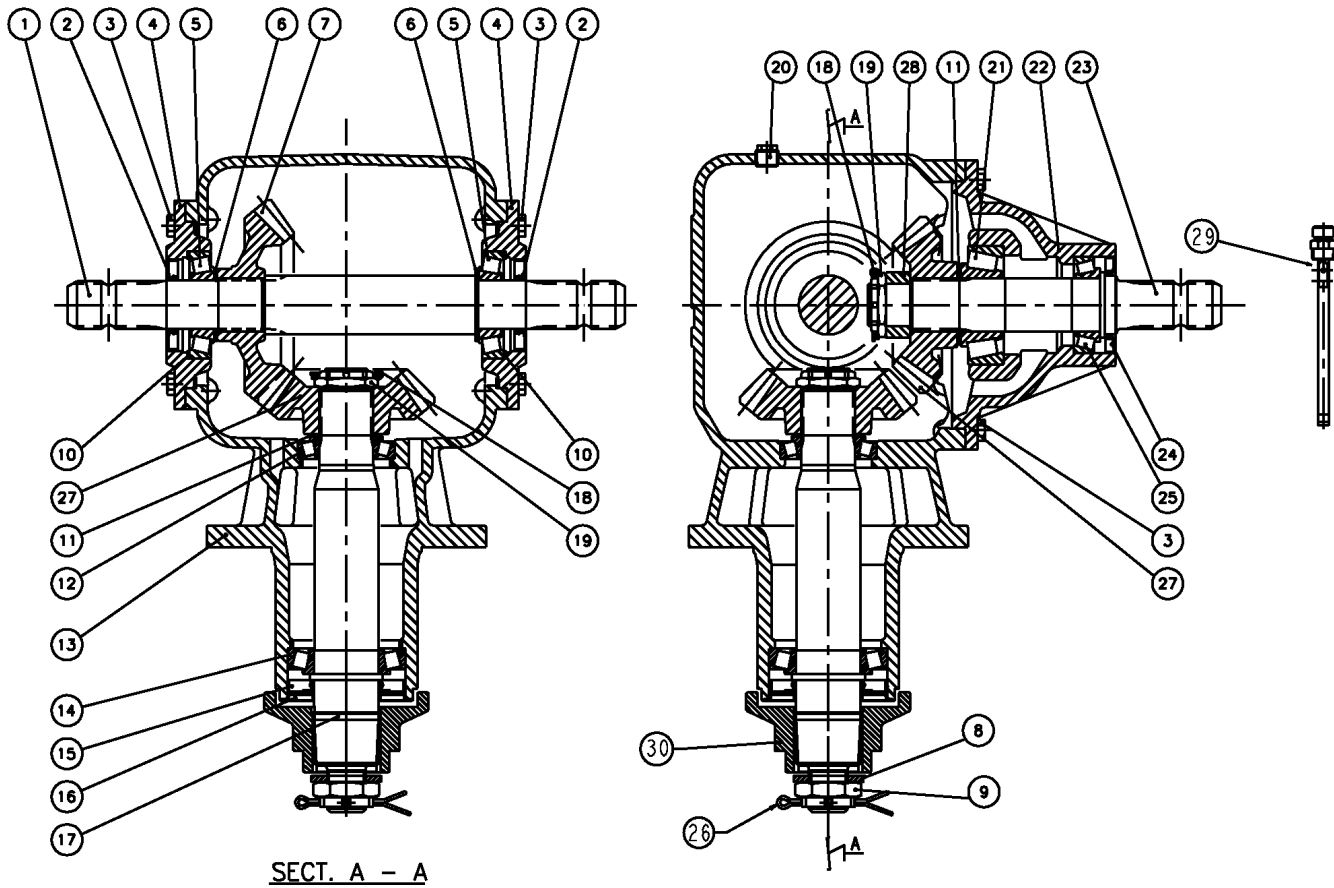
**Gearbox 1000 RPM LH & RH (826-317C)****Applies to RCFM4014**

Ref	Part No.	Part Description	Comments	Revision
	Dwg 21167	Drawing Image Number		
	826-317C	GBOX RCM50 1:1.21 STD		
		*		
1.	U0.125.0531.00	NA		
2.	U0.125.5003.00	CO CROWN GEAR Z22 M7.8		
3.	8.0.9.00143	CO BEARING 30209 RTA25		
4.	8.7.3.00331	CO OIL SEAL 45 X 85 X 10		
5.	U0.125.2050.00	CO INPUT SHAFT 1 3/4"-20		
6.	8.5.2.00332	CO SNAP RING UNI 7437		
7.	0.709.7500.00	CO SHIM 84.7		
8.	8.5.1.00533	CO SNAP RING 50 UNI7435		
9.	U0.125.7100.00	CO CASTLE NUT		
10.	0.712.7500.00	CO SHIM 50.3X70.3		
11.	8.0.9.01090	CO BEARING 32210		
12.	1.181.7101.00	CO SEAL PROTECTOR		
13.	8.7.1.02349	CO OIL SEAL 60X110X12		
14.	8.0.9.00079	CO BEARING 30212		
15.	U0.125.3002.00	CO OUTPUT SHAFT		
16.	8.4.7.02265	CO COTTER PIN B 5X60		
17.	0.121.7101.00	CO CAP		
18.	0.288.7101.00	CO BLANK WASHER		
19.	0.252.7525.00	CO SHIM 45.3X2.5		
20.	0.285.7510.00	CO SHIM 40.3 X 61.7 X 1		
21.	U0.125.1301.00	CO COVER		
22.	8.1.1.00501	CO BOLT M10X22 HHB		
23.	826-486C	COMER U0.125.7003.00 OIL PLUG		
24.	8.6.5.00006	CO OIL PLUG 3/8		
25.	8.4.7.01045	CO COTTER PIN B6X70 SLD-SPRTLY		
26.	8.2.2.00560	CO CASTLE NUT M36X3		
27.	U0.125.6003.00	CO CROWN GEAR Z18 M7.8		

\*  
Notes: Oil Type 80-90W Capacity 10 Pints

# Gearbox Center (826-784C)

Applies to RCFM4014



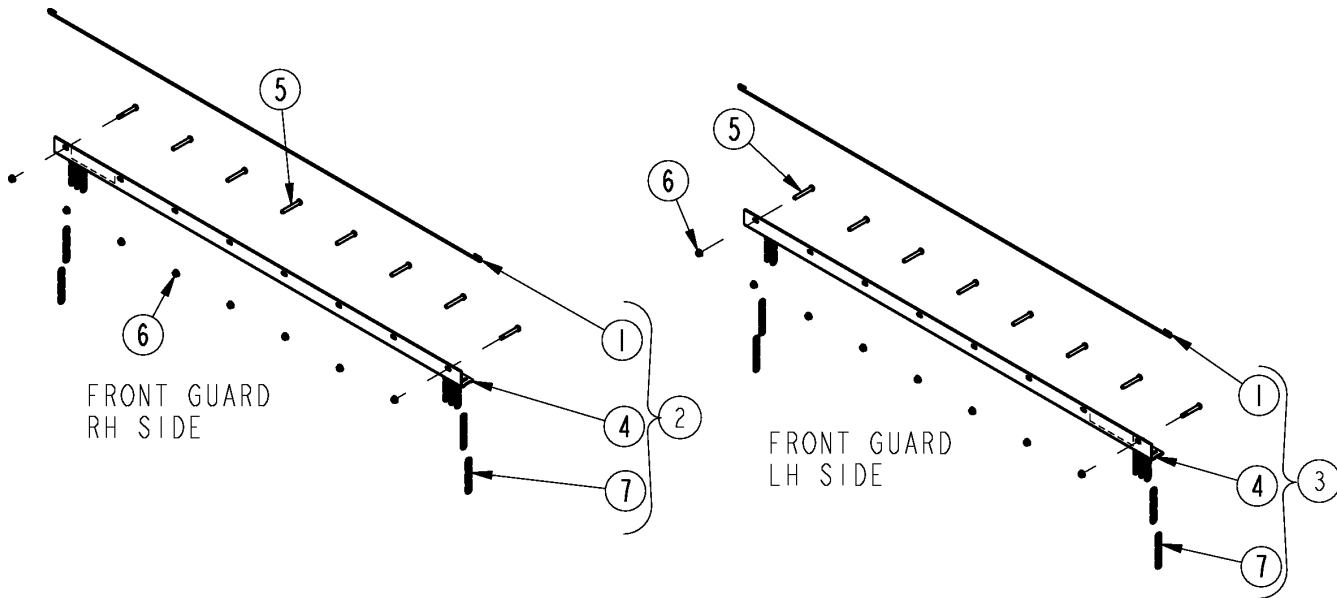
35903

**Gearbox Center (826-784C)****Applies to RCFM4014**

<b>Ref</b>	<b>Part No.</b>	<b>Part Description</b>	<b>Comments</b>	<b>Revision</b>
	Dwg 35903	Drawing Image Number		
1.	0.345.3000.00	CO 1" 3/4 Z20 OUTPUT SHAFT		
2.	8.7.3.00331	RPBY 8.7.1.02348		
3.	8.1.1.01438	CO BOLTS M10X30 HHB (10.9)		
4.	0.316.1300.00	CO COVER		
5.	8.0.9.00107	CO RL BRG 30309 (45X100X27.25)		
6.	0.252.7500.00	RPBY A252.500		
7.	0.345.6001.00	CO GEAR PINION Z22 M8.6		
8.	0.288.7101.00	CO BLANK WASHER		
9.	8.2.2.00560	CO CASTLE NUT M36X3		
10.	0.709.7500.00	RPBY A.709.500		
11.	0.712.7500.00	RPBY A.712.500		
12.	8.0.9.00469	RPBY 04-011		
13.	0.345.0300.00	N/A		
14.	8.0.9.00079	CO BRG 30212 (60X110X23.75)		
15.	8.7.3.01080	CO OIL SEAL (60X110X12)		
16.	1.181.7101.00	CO SEAL PROTECTOR		
17.	0.345.3002.00	CO OUTPUT SHAFT		
18.	8.4.7.02265	CO COTTER PIN B 5X60		
19.	0.132.7107.00	CO NUT M40X1.5		
20.	8.6.5.00203	CO PLUG 1/2" GAS		
21.	8.0.9.02128	CO RLR BRG 32310 (50X11X42.25)		
22.	0.316.1301.00	CO COVER		
23.	0.345.2000.00	CO 1" 3/4 Z20 INTPUT SHAFT		
24.	8.7.1.01099	CO DUST LIP (55X90X10)		
25.	8.0.9.01090	CO BRG 32210 (50X90X24.75)		
26.	8.4.7.01045	CO COTTER PIN B6X70 SLD-SPRTLTY		
27.	0.345.5001.00	CO GEAR CROWN Z18 M8.6		
28.	0.316.7101.00	CO SPACER (40.1X60X23.4)		
29.	0.316.7100.00	CO 1/2 GAS/OIL BREATHER PLUG		
30.	U0.125.7032.00	N/A		

# Guard Chain Front

Applies to RCFM4014



35884



**Guard Chain Front**

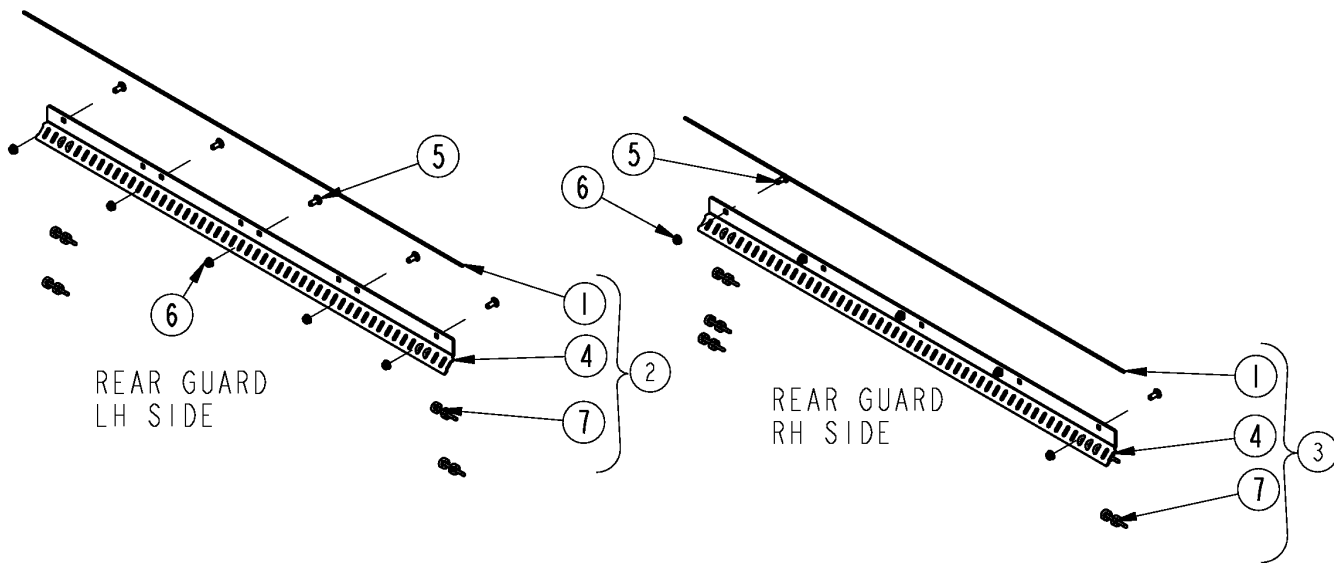
---

**Applies to RCFM4014**

<b>Ref</b>	<b>Part No.</b>	<b>Part Description</b>	<b>Comments</b>	<b>Revision</b>
	Dwg 35884	Drawing Image Number		
	326-698A	14' FNT CHAIN GUARD ASSY *		
1.	326-568D	ROUND ROD 1/4 X 93 1/4		
2.	326-699L	14' FNT CHAIN GRD SUB RH ASSY		
3.	326-700L	14' FNT CHAIN GRD SUB LH ASSY		
4.	327-340D	FRNT CHAIN GUARD BRACKET		
5.	802-041C	HHCS 1/2-13X3 1/2 GR5		
6.	803-037C	NUT HEX WHIZ 1/2-13 PLT		
7.	890-341C	CHAIN WELD 5/16 GR 43 X 5 LINK		

# Guard Chain Rear

Applies to RCFM4014



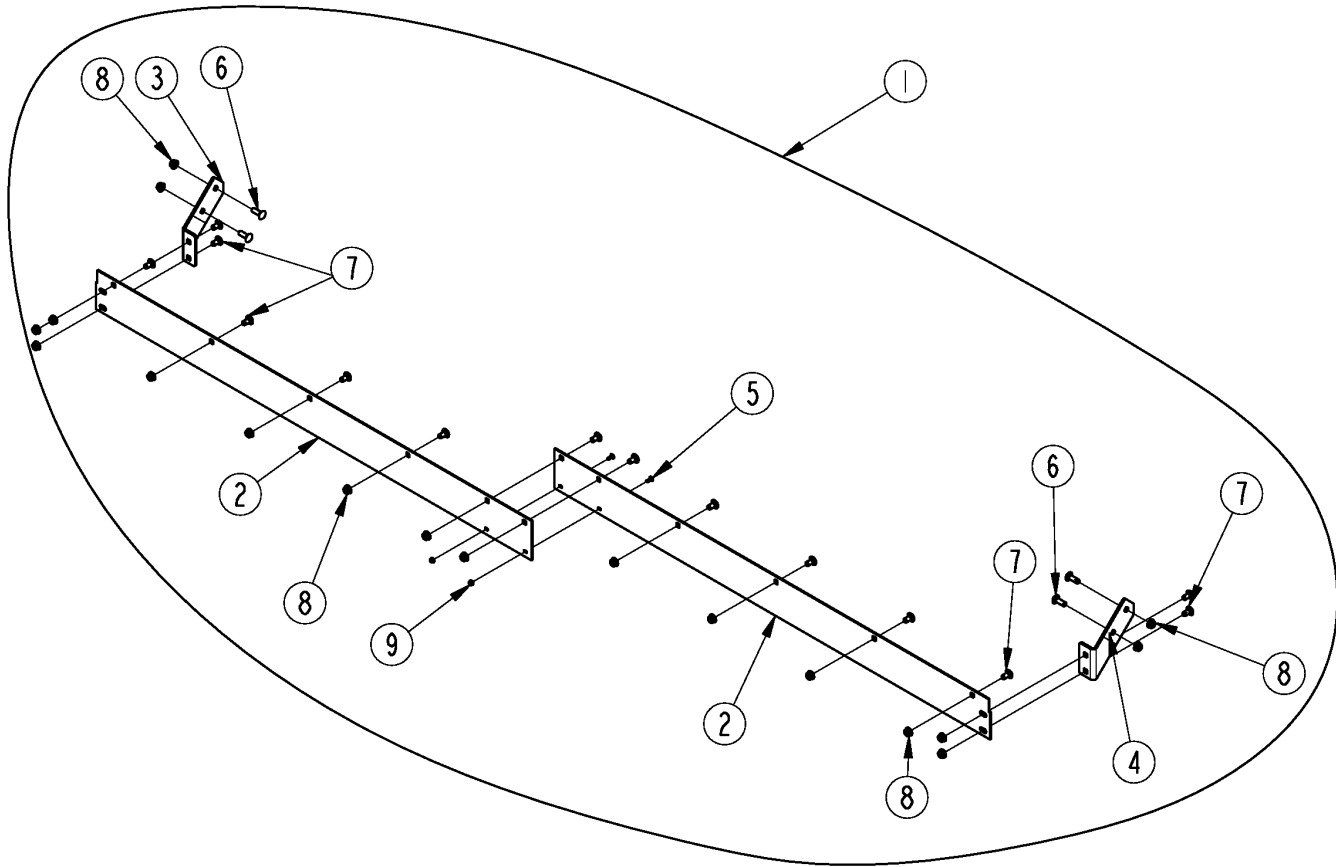
35886

**Guard Chain Rear****Applies to RCFM4014**

<b>Ref</b>	<b>Part No.</b>	<b>Part Description</b>	<b>Comments</b>	<b>Revision</b>
	dwg35886	Drawing Image Number		
	326-693A	14' REAR CHAIN GUARD ASSY *		
1.	318-336D	ROUND ROD 1/4 X 73		
2.	326-694L	14' REAR LH CHAIN GUARD ASSY	53 Chains	
3.	326-695L	14' REAR RH CHAIN GUARD ASSY	52 Chains	
4.	327-337D	REAR CHAIN GUARD BRACKET		
5.	802-214C	RHSNB 1/2-13X1 1/4 GR5		
6.	803-037C	NUT HEX WHIZ 1/2-13 PLT		
7.	890-341C	CHAIN WELD 5/16 GR 43 X 5 LINK		

# Guard Metal Rear

Applies to RCFM4014



35888

**Guard Metal Rear**

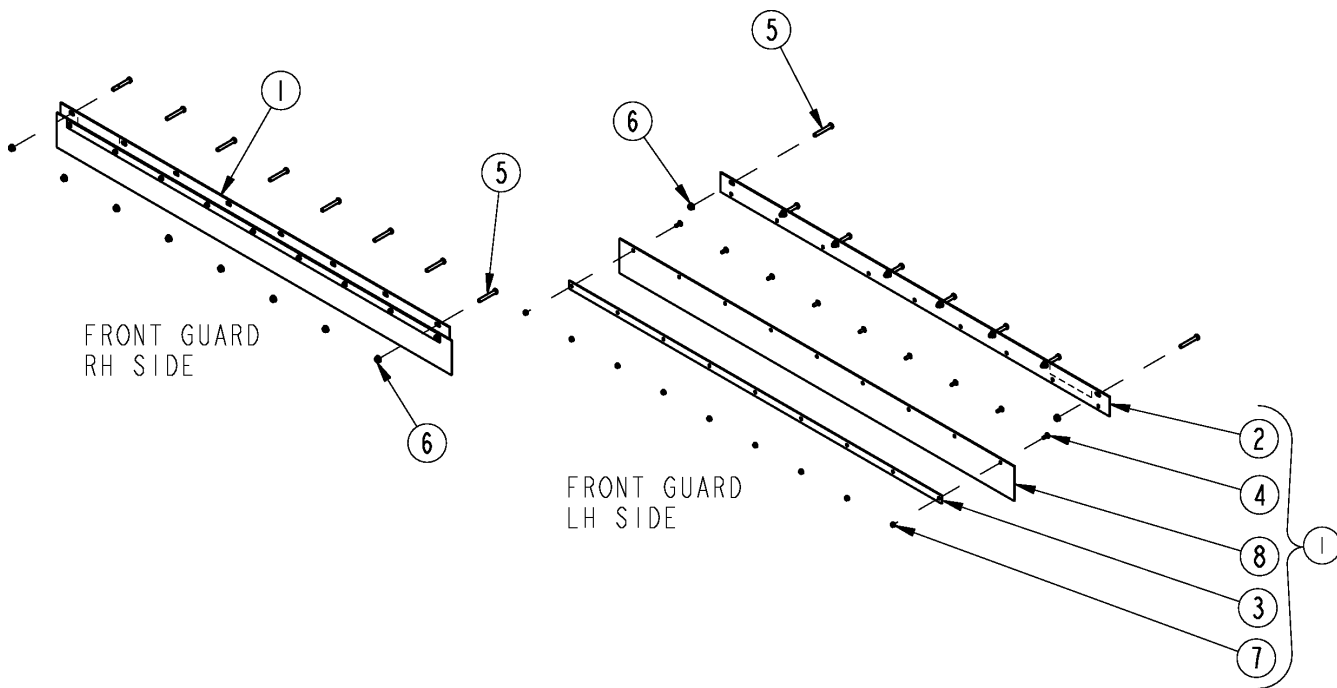
---

**Applies to RCFM4014**

<b>Ref</b>	<b>Part No.</b>	<b>Part Description</b>	<b>Comments</b>	<b>Revision</b>
	Dwg 35888	Drawing Image Number		
1.	326-691A	14' REAR METAL GUARD ASSY		
2.	327-334D	14' REAR METAL GUARD		
3.	327-335D	METAL GUARD BRACKET LH		
4.	327-434D	METAL GUARD BRACKET RH		
5.	802-002C	RHSNB 1/4-20X3/4 GR5		
6.	802-106C	RHSNB 1/2-13X1 1/2 GR5		
7.	802-183C	RHSNB 1/2-13X1 GR5		
8.	803-037C	NUT HEX WHIZ 1/2-13 PLT		
9.	803-230C	NUT HEX FLANGE 1/4-20 PLT		

# Guard Rubber Front

Applies to RCFM4014



35885

**Guard Rubber Front**

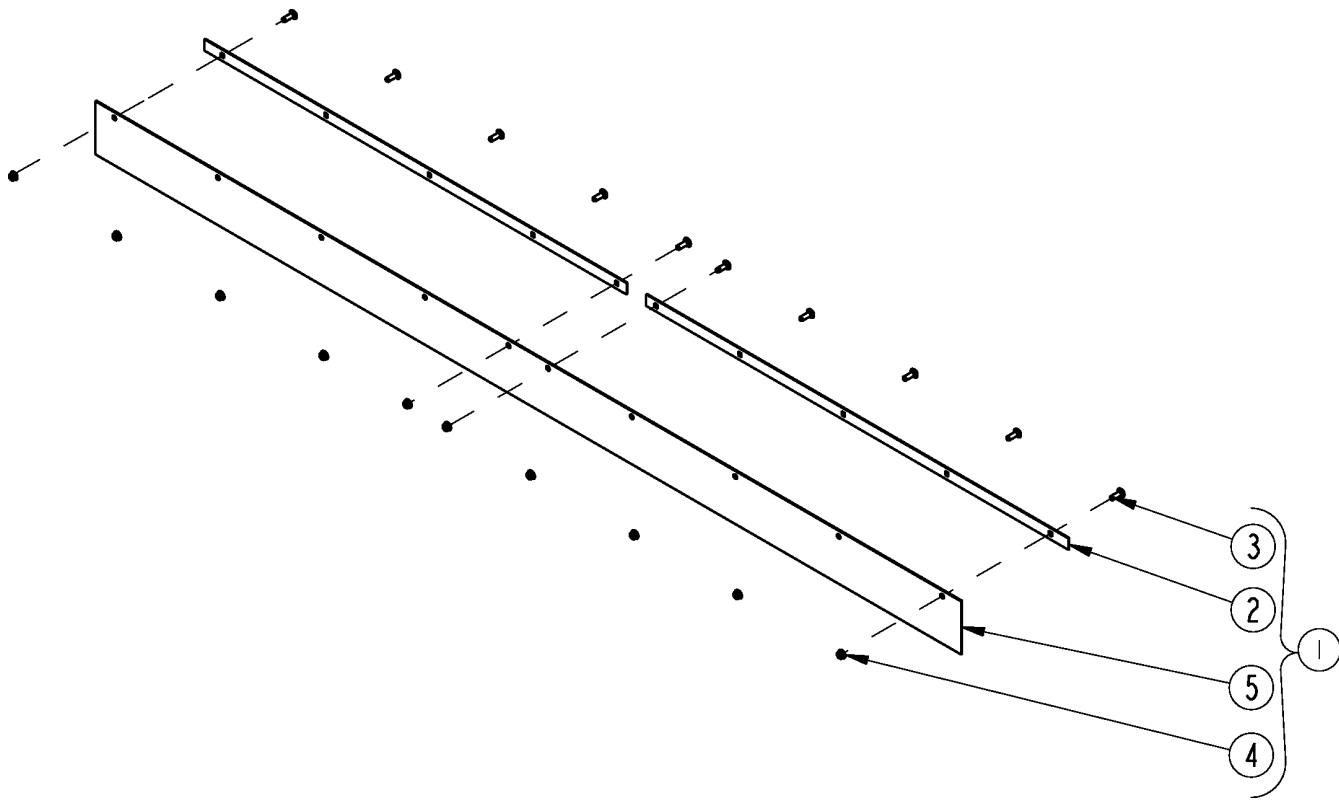
---

**Applies to RCFM4014**

<b>Ref</b>	<b>Part No.</b>	<b>Part Description</b>	<b>Comments</b>	<b>Revision</b>
	Dwg35885	Drawing Image Number		
	326-696A	14' FNT RUBBER GUARD ASSY *		
1.	326-697L	14' FNT RUBBER GUARD SUB ASSY		
2.	327-338D	FNT RUBBER GUARD MOUNT		
3.	327-339D	FNT RUBBER GUARD RETAINER		
4.	802-015C	RHSNB 3/8-16X1 GR5		
5.	802-041C	HHCS 1/2-13X3 1/2 GR5		
6.	803-037C	NUT HEX WHIZ 1/2-13 PLT		
7.	803-198C	NUT HEX WHIZ 3/8-16 PLT		
8.	816-773C	14' FRNT RUBBER GUARD		

# Guard Rubber Rear

Applies to RCFM4014



35887



**Guard Rubber Rear**

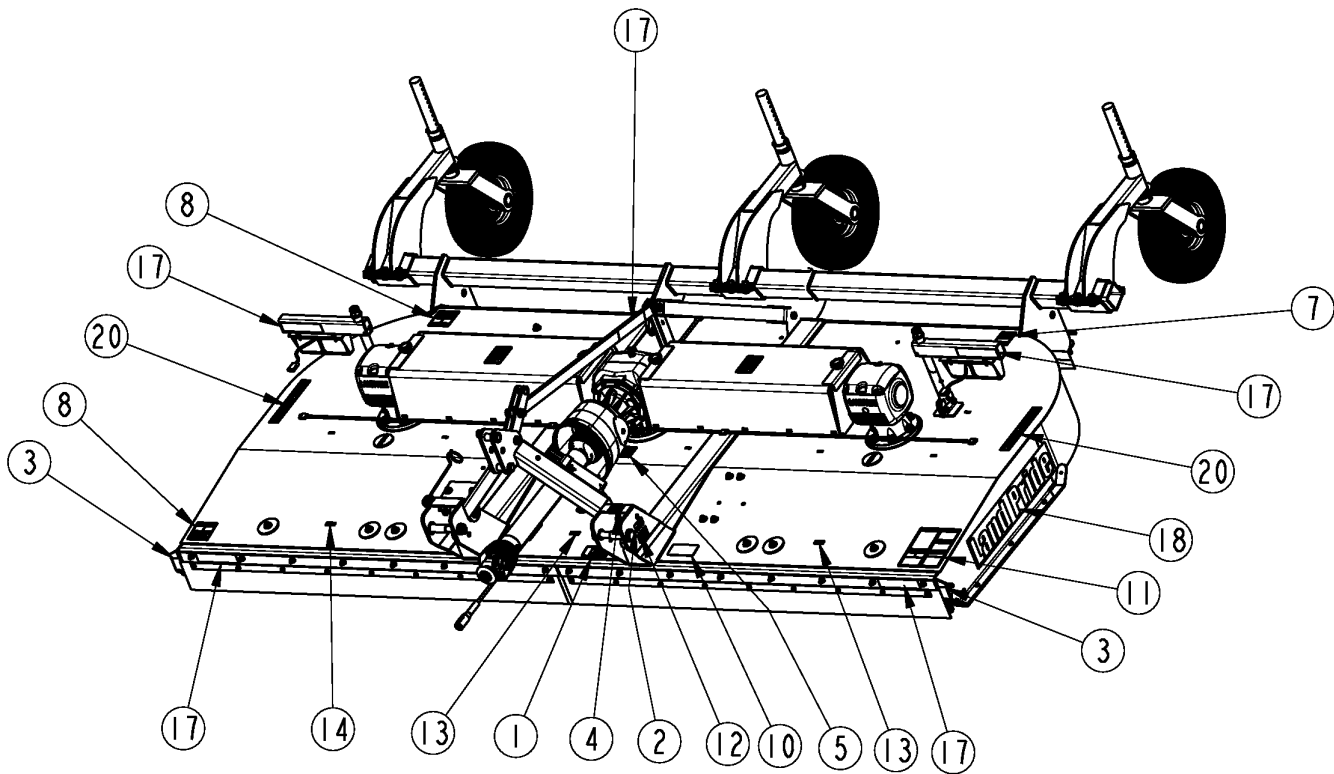
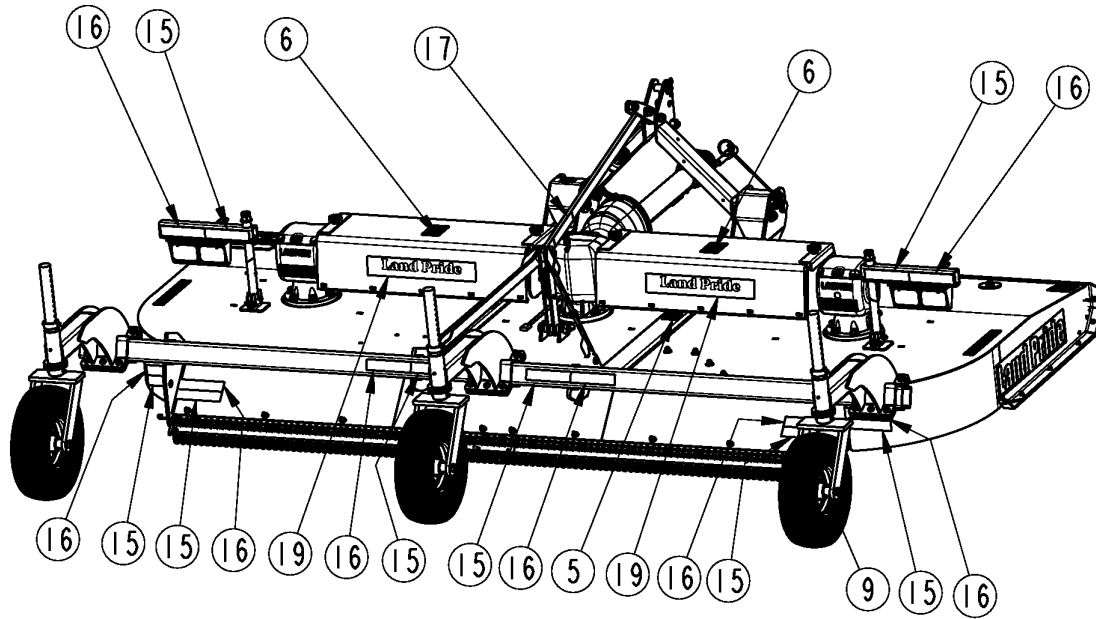
---

**Applies to RCFM4014**

<b>Ref</b>	<b>Part No.</b>	<b>Part Description</b>	<b>Comments</b>	<b>Revision</b>
	Dwg 35887	Drawing Image Number		
	326-692A	14' REAR RUBBER GUARD ASSY *		
1.	326-692A	14' REAR RUBBER GUARD ASSY		
2.	327-336D	RUBBER GUARD BRACKET		
3.	802-106C	RHSNB 1/2-13X1 1/2 GR5		
4.	803-037C	NUT HEX WHIZ 1/2-13 PLT		
5.	816-772C	14' REAR RUBBER GUARD		

# Decal Placement

Applies to RCFM4014



35891

***Decal Placement*****Applies to RCFM4014**

<b>Ref</b>	<b>Part No.</b>	<b>Part Description</b>	<b>Comments</b>	<b>Revision</b>
	Dwg 35891	Drawing Image Number		
1.	818-142C	DECAL DANGER PTO DRIVELINE EN		
2.	818-190C	DECAL FLAG		
3.	818-229C	DECAL AMBER REFLECTOR		
4.	818-240C	DECAL CAUTION 1000 RPM		
5.	818-543C	DECAL DANGER PD GUARD MISS SML		
6.	818-552C	DECAL DANGER PTO DRIVELINE		
7.	818-556C	DECAL DANGER THROWN OBJ CUTTER		
8.	818-555C	DECAL DANGER ROTATE BLADE		
8.	818-564C	RPBY 818-555C	Obsolete	
9.	818-681C	DECAL NOTICE - 20 MPH MAX (FORM)		
10.	818-714C	DECAL DANGER CRUSHING TWO IMP		
11.	818-830C	DECAL SAFETY COMBO SUNWEST		
12.	818-862C	DECAL 5 YEAR GEARBOX WARRANTY		
13.	838-374C	DECAL ROTATION ARROW CW		
14.	838-412C	DECAL ROTATION ARROW CCW		
15.	838-603C	DECAL REFLECTOR ORANGE 2X9		
16.	838-614C	DECAL REFLECTOR RED 2X9		
17.	838-615C	DECAL REFLECTOR AMBER 2X9		
18.	838-959C	DECAL LANDPRIDE 30" GREEN	Beige Unit	
18.	848-122C	DECAL LANDPRIDE 34" TAN/BROWN	Green, Orange & Red Unit	
19.	838-966C	DECAL LANDPRIDE 22" BROWN/GOLD		
20.	858-034C	DECAL RCFM4014 GREEN	Beige Unit	
20.	858-038C	DECAL RCFM4014 GOLD	Green, Orange & Red Unit	

## ***Land Pride Touch-up Paints***

---

Applies to RCFM4014

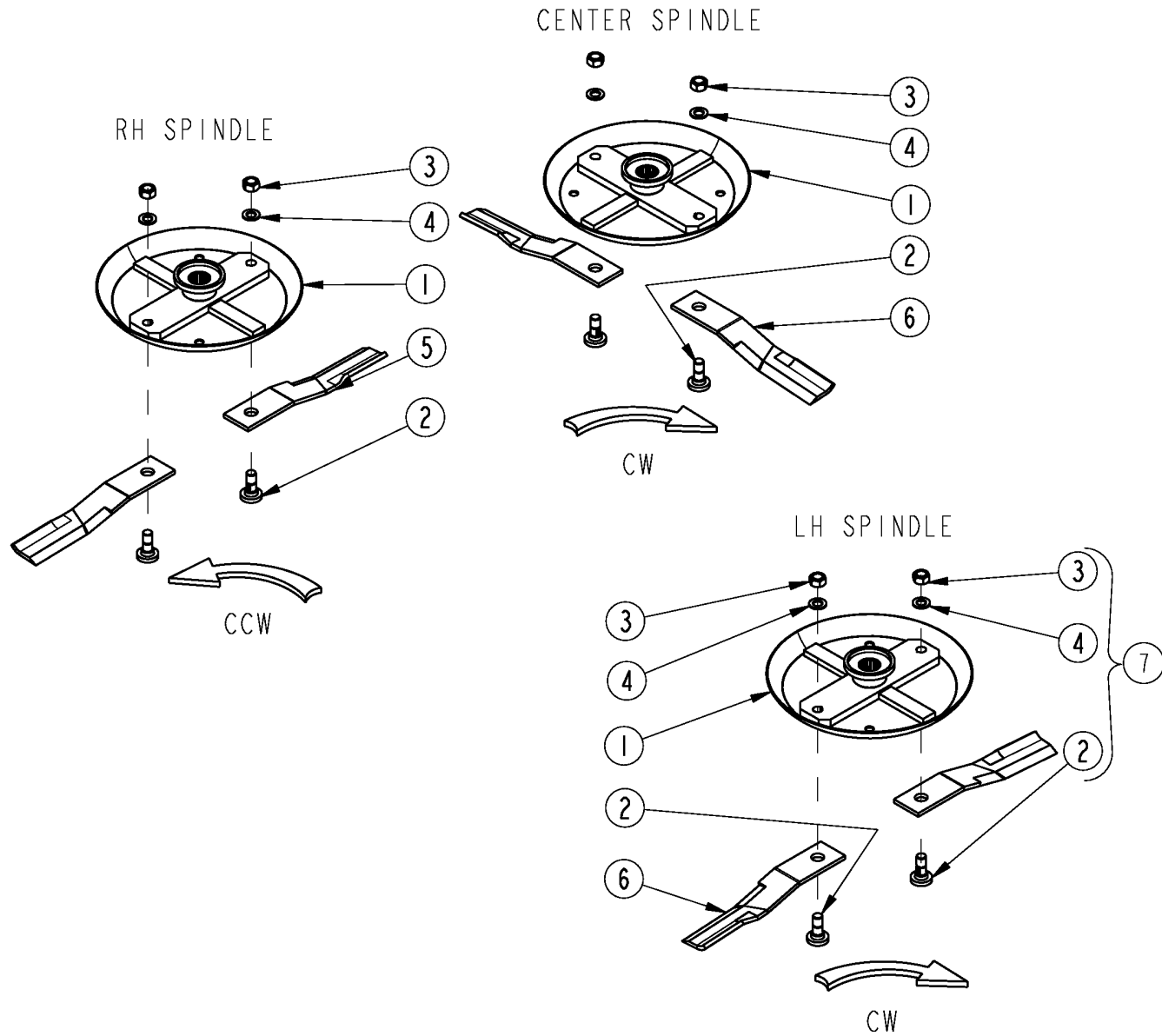
**No diagram associated with this Parts List**

**Land Pride Touch-up Paints****Applies to RCFM4014**

<b>Ref</b>	<b>Part No.</b>	<b>Part Description</b>	<b>Comments</b>	<b>Revision</b>
1.	821-011C	LP BEIGE SPRAY CAN	Spray can	
1.	821-011CTU	LP BEIGE TOUCH-UP 5OZ	Touch-up bottle with brush	
1.	821-011CQT	LP BEIGE QUART	Quart can	
1.	821-011CGL	LP BEIGE GALLON	Gallon can	
2.	821-070C	GLOSS BLACK SPRAY CAN	Spray can	
2.	821-070CTU	GLOSS BLACK TOUCH-UP 5OZ	Touch-up bottle with brush	
2.	821-070CQT	GLOSS BLACK QUART	Quart can	
2.	821-070CGL	GLOSS BLACK GALLON	Gallon can	
3.	821-054C	MED. RED SPRAY TRCK/CTR	Spray can	
3.	821-054CTU	MED RED TOUCH-UP 5OZ	Touch-up bottle with brush	
3.	821-054CQT	MED RED QUART	Quart can	
3.	821-054CGL	MED RED GALLON	Gallon can	
4.	821-058C	GREEN SPRAY CUTTERS	Spray can	
4.	821-058CTU	GREEN TOUCH-UP 5OZ	Touch-up bottle with brush	
4.	821-058CQT	GREEN QUART	Quart can	
4.	821-058CGL	GREEN GALLON	Gallon can	
5.	821-066C	ORANGE SPRAY CAN	Spray can	
5.	821-066CTU	ORANGE TOUCH-UP 5OZ	Touch-up bottle with brush	
5.	821-066CQT	ORANGE QUART	Quart can	
5.	821-066CGL	ORANGE GALLON	Gallon can	
6.	821-067C	BLUE SPRAY CAN	Spray can	
6.	821-067CTU	BLUE TOUCH-UP 5OZ	Touch-up bottle with brush	
6.	821-067CQT	BLUE QUART	Quart can	
6.	821-067CGL	BLUE GALLON	Gallon can	
7.	821-080C	PAINT ALUMINUM/ZINC SPRAY CAN	Spray can	
7.	821-080CTU	PAINT ALUMINUM/ZINC TOUCH UP	Touch-up bottle with brush	
7.	821-080CQT	PAINT ALUMINUM/ZINC QUART	Quart can	
7.	821-080CGL	PAINT ALUMINUM/ZINC GALLON	Gallon can	

# Blade Carrier Kit

Applies to RCFM4014



35905

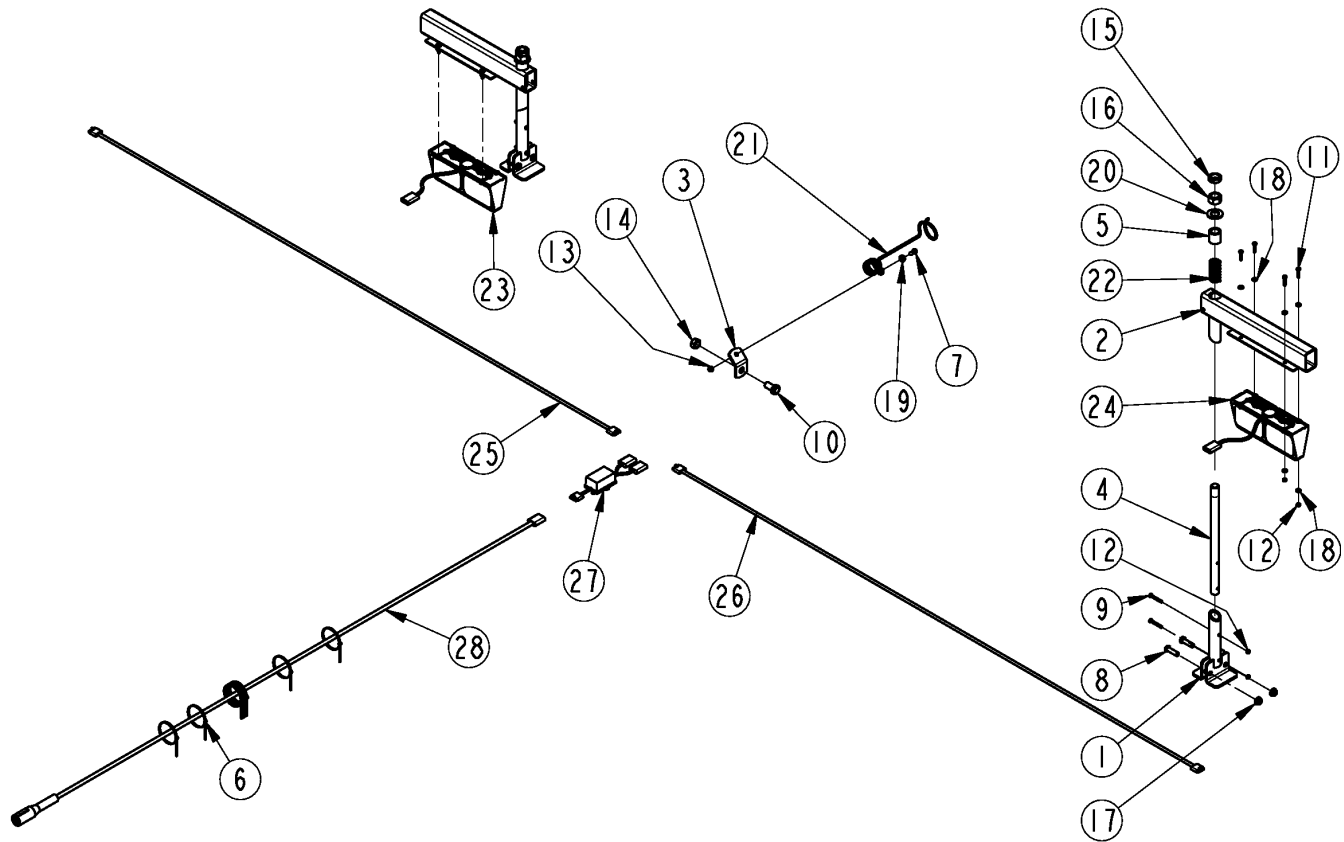
## **Blade Carrier Kit**

### **Applies to RCFM4014**

<b>Ref</b>	<b>Part No.</b>	<b>Part Description</b>	<b>Comments</b>	<b>Revision</b>
	Dwg 35905	Drawing Image Number		
1.	326-429H	3610 DISHPAN		
2.	802-277C	BLD BLT 1 1/8-12X3.44 W/.25KEY		
3.	803-170C	NUT HEX TOP LOCK 1 1/8-12 PLT		
4.	804-147C	WASHER FLAT 1" HARDENED		
5.	820-169C	CUTTER BLADE 1/2X4X23 CCW		
6.	820-170C	CUTTER BLADE 1/2X4X23 CW		
7.	318-586A	BLADE BOLT KIT		

# Breakaway Lights Retro-Fit (326-956A)

Applies to RCFM4014



37626

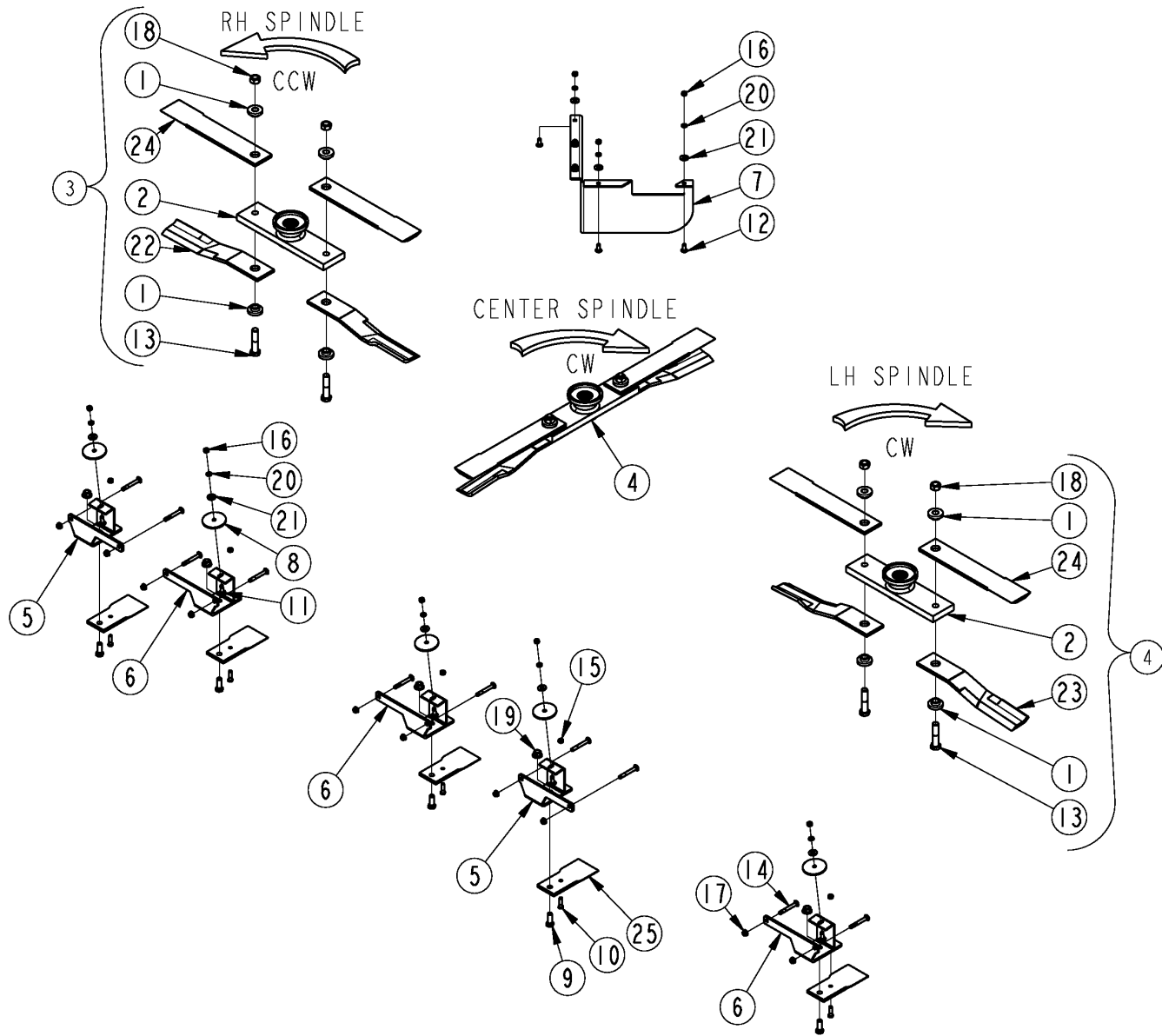


**Breakaway Lights Retro-Fit (326-956A)****Applies to RCFM4014**

Ref	Part No.	Part Description	Comments	Revision
	Dwg 37626	Image No.		
	326-956A	4014 BREAKAWAY LIGHT KIT		
	334-574M	ROTARY CUTTER LIGHT KIT MANUAL *		
1.	326-762H	LIGHT BRACKET MNT		
2.	326-763H	BREAKAWAY LIGHT MOUNT WDMNT		
3.	327-376D	HOSE HOLDER BRACKET 45DEG		
4.	327-379D	LIGHT PIVOT BAR		
5.	327-382D	SPRING BUSHING		
6.	800-060C	CABLE TIE .19X14.25 3DIA 50LB		
7.	802-017C	HHCS 3/8-16X1 GR5		
8.	802-082C	HHCS 1/2-13X1 3/4 GR5		
9.	802-152C	HHCS 1/4-20X2 GR5		
10.	802-184C	HHCS 3/4-10X1 1/2 GR5		
11.	802-224C	HHCS 1/4-20X1 1/4 GR5		
12.	803-007C	NUT LOCK 1/4-20 PLT		
13.	803-013C	NUT LOCK 3/8-16 PLT		
14.	803-026C	NUT LOCK 3/4-10 PLT		
15.	803-030C	NUT HEX JAM 1-8 PLT		
16.	803-031C	NUT HEX 1-8 PLT		
17.	803-169C	NUT HEX FLG LOCK 1/2-13 PLT		
18.	804-007C	WASHER FLAT 1/4 SAE PLT		
19.	804-012C	WASHER FLAT 3/8 SAE PLT		
20.	804-029C	WASHER FLAT 1 SAE		
21.	807-023C	SPRING HOSE LOOP		
22.	807-212C	SPRING COMP 1.4OD .162W 3LG		
23.	891-522C	DUAL LED LIGHT LH	Complete light assembly	
23.	J-37-R	RED LED LENS MODULE	Red lens	
23.	J-37-A	AMBER LED LENS MODULE	Amber lens	
23.	J-AC1-15-B	BLACK LENS COVER	Black lens	
24.	891-523C	DUAL LED LIGHT RH	Complete light assembly	
24.	J-37-R	RED LED LENS MODULE	Red lens	
24.	J-37-A	AMBER LED LENS MODULE	Amber lens	
24.	J-AC1-15-B	BLACK LENS COVER	Black lens	
25.	891-529C	LIGHT WIRE HARNESS 8'		
26.	891-530C	RPBY 891-529C	Obsolete	
27.	891-531C	ENHANCE MODULE		
28.	891-532C	LEAD WIRE HARNESS 8'		

# Shredder Kit 30" Rows

Applies to RCFM4014



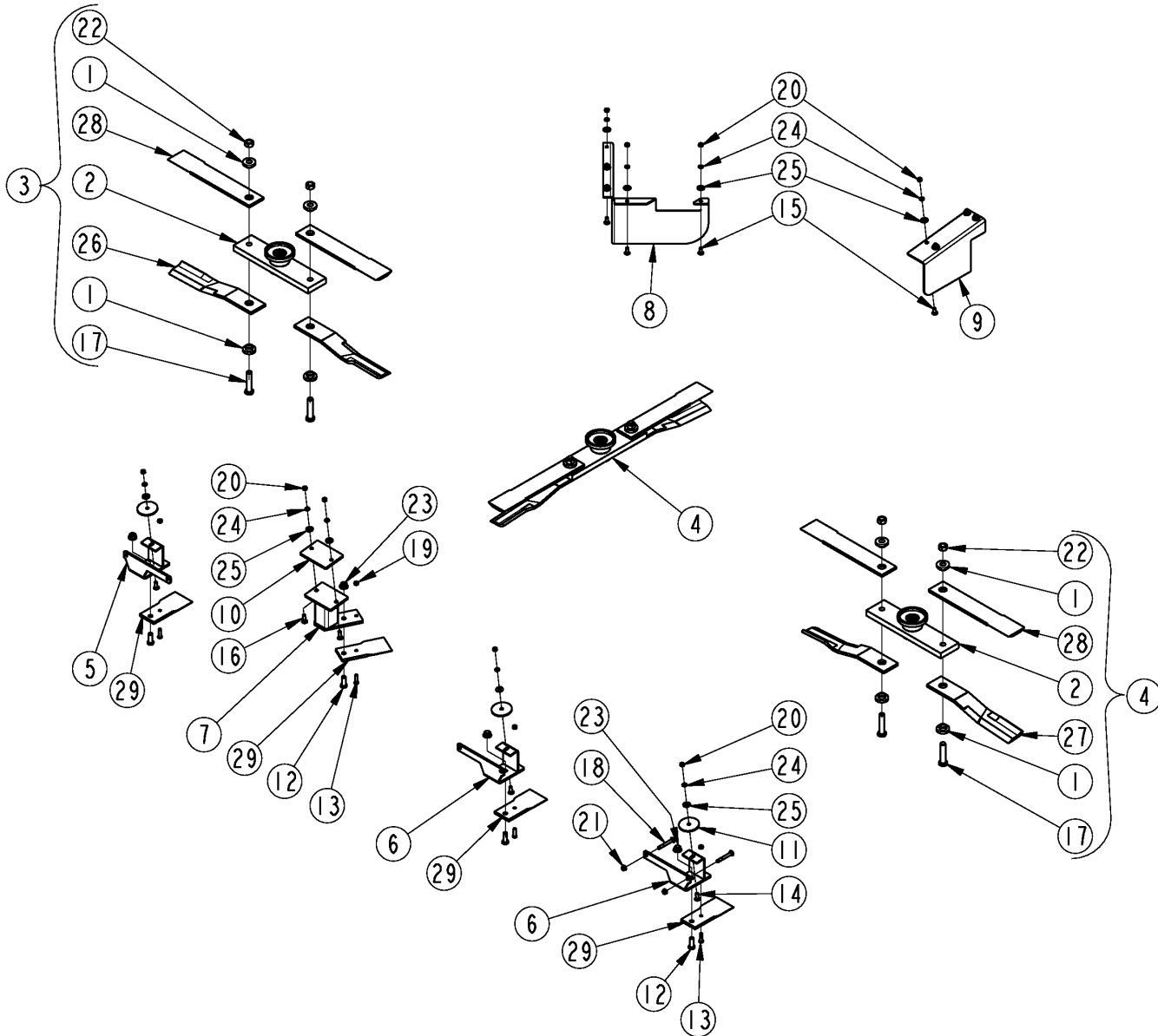
35889

**Shredder Kit 30" Rows****Applies to RCFM4014**

<b>Ref</b>	<b>Part No.</b>	<b>Part Description</b>	<b>Comments</b>	<b>Revision</b>
	Dwg 35889	Drawing Image Number		
1.	318-309D	BLADE BUSHING		
2.	326-701H	BLADE BAR, SHREDDER RCFM4014		
3.	326-702S	CCW BLADES, SHREDDER 58"		
4.	326-703S	CW BLADES, SHREDDER 58"		
5.	326-709H	FIXED BLADE MNT RH OFFSET		
6.	326-711H	FIXED BLADE MNT LH OFFSET		
7.	327-345D	REAR BAFFLE RH		
8.	327-454D	DOUBLER PLATE WASHER		
9.	802-064C	HHCS 3/4-10X2 GR5		
10.	802-082C	HHCS 1/2-13X1 3/4 GR5		
11.	802-106C	RHSNB 1/2-13X1 1/2 GR5		
12.	802-214C	RHSNB 1/2-13X1 1/4 GR5		
13.	842-344C	HHCS 1-8X4 1/2 GR8 SPTHD		
14.	802-707C	RHSNB 1/2-13X4 GR5 PLT		
15.	803-019C	NUT LOCK 1/2-13 PLT		
16.	803-020C	NUT HEX 1/2-13 PLT		
17.	803-037C	NUT HEX WHIZ 1/2-13 PLT		
18.	803-168C	NUT HEX TOP LOCK 1-8 PLT		
19.	803-299C	NUT HEX FLG TOP LK 3/4-10 PLT		
20.	804-015C	WASHER LOCK SPRING 1/2 PLT		
21.	804-017C	WASHER FLAT 1/2 USS PLT		
22.	820-169C	CUTTER BLADE 1/2X4X23 CCW		
23.	820-170C	CUTTER BLADE 1/2X4X23 CW		
24.	820-217C	CUTTER BLADE 1/2X4X22.5 FLAT		
25.	820-373C	CUTTER BLADE 1/2X4X10.25C FLAT		

# Shredder Kit 38" and 40" Rows

Applies to RCFM4014

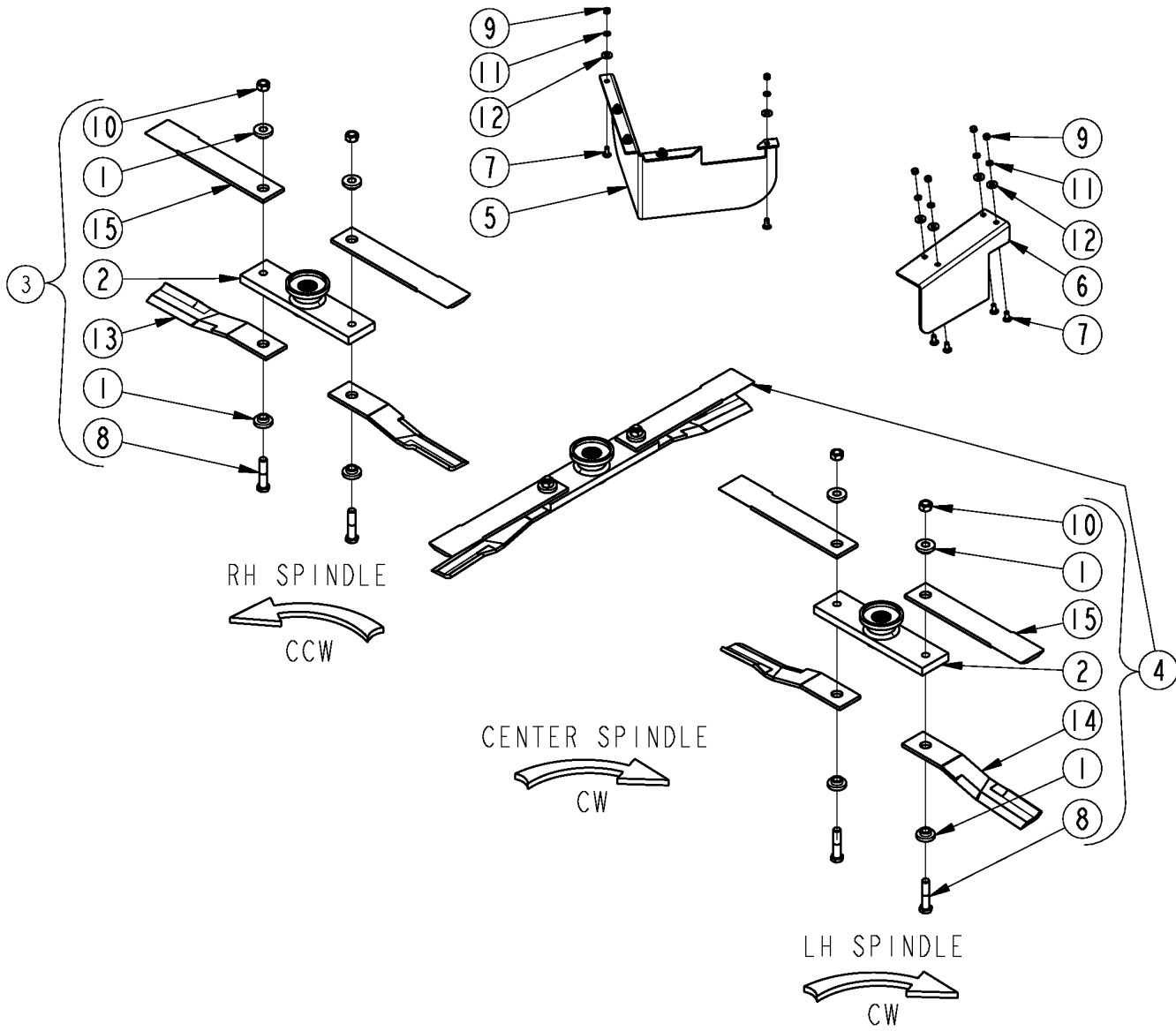


**Shredder Kit 38" and 40" Rows****Applies to RCFM4014**

<b>Ref</b>	<b>Part No.</b>	<b>Part Description</b>	<b>Comments</b>	<b>Revision</b>
	Dwg 35890	Drawing Image Number		
1.	318-309D	BLADE BUSHING		
2.	326-701H	BLADE BAR, SHREDDER RCFM4014		
3.	326-702S	CCW BLADES, SHREDDER 58"		
4.	326-703S	CW BLADES, SHREDDER 58"		
5.	326-709H	FIXED BLADE MNT RH OFFSET		
6.	326-711H	FIXED BLADE MNT LH OFFSET		
7.	326-790H	OFFSET FIXED BLADE MNT RH		
8.	327-345D	REAR BAFFLE RH		
9.	327-349D	FRONT BAFFLE LH		
10.	327-418D	BLADE MNT DOUBLER PLATE		
11.	327-454D	DOUBLER PLATE WASHER		
12.	802-064C	HHCS 3/4-10X2 GR5		
13.	802-082C	HHCS 1/2-13X1 3/4 GR5		
14.	802-106C	RHSNB 1/2-13X1 1/2 GR5		
15.	802-214C	RHSNB 1/2-13X1 1/4 GR5		
16.	802-331C	RHSNB 1/2-13X1 3/4 GR5		
17.	842-344C	HHCS 1-8X4 1/2 GR8 SPTHD		
18.	802-707C	RHSNB 1/2-13X4 GR5 PLT		
19.	803-019C	NUT LOCK 1/2-13 PLT		
20.	803-020C	NUT HEX 1/2-13 PLT		
21.	803-037C	NUT HEX WHIZ 1/2-13 PLT		
22.	803-168C	NUT HEX TOP LOCK 1-8 PLT		
23.	803-299C	NUT HEX FLG TOP LK 3/4-10 PLT		
24.	804-015C	WASHER LOCK SPRING 1/2 PLT		
25.	804-017C	WASHER FLAT 1/2 USS PLT		
26.	820-169C	CUTTER BLADE 1/2X4X23 CCW		
27.	820-170C	CUTTER BLADE 1/2X4X23 CW		
28.	820-217C	CUTTER BLADE 1/2X4X22.5 FLAT		
29.	820-373C	CUTTER BLADE 1/2X4X10.25C FLAT		

# Shredder Kit W/O Fixed Blades

Applies to RCFM4014



**Shredder Kit W/O Fixed Blades**

---

**Applies to RCFM4014**

<b>Ref</b>	<b>Part No.</b>	<b>Part Description</b>	<b>Comments</b>	<b>Revision</b>
	Dwg 35912	Drawing Image Number		
1.	318-309D	BLADE BUSHING		
2.	326-701H	BLADE BAR, SHREDDER RCFM4014		
3.	326-702S	CCW BLADES, SHREDDER 58"		
4.	326-703S	CW BLADES, SHREDDER 58"		
5.	327-345D	REAR BAFFLE RH		
6.	327-349D	FRONT BAFFLE LH		
7.	802-214C	RHSNB 1/2-13X1 1/4 GR5		
8.	842-344C	HHCS 1-8X4 1/2 GR8 SPTHD		
9.	803-020C	NUT HEX 1/2-13 PLT		
10.	803-168C	NUT HEX TOP LOCK 1-8 PLT		
11.	804-015C	WASHER LOCK SPRING 1/2 PLT		
12.	804-017C	WASHER FLAT 1/2 USS PLT		
13.	820-169C	CUTTER BLADE 1/2X4X23 CCW		
14.	820-170C	CUTTER BLADE 1/2X4X23 CW		
15.	820-217C	CUTTER BLADE 1/2X4X22.5 FLAT		



# Part Number Index

The Part Number Index is a numeric index of all part numbers included in this manual. The index shows what page(s) the part is used on.

Part Number	Page	Part Number	Page	Part Number	Page	Part Number	Page
0.121.7101.00	29	326-568D	33	8.0.9.01090	29, 31	803-310C	13
0.132.7107.00	31	326-591D	11	8.0.9.02128	31	804-007C	7, 9, 11, 49
0.252.7500.00	31	326-670H	11	8.1.1.00501	29	804-009C	15
0.252.7525.00	29	326-670H81	11	8.1.1.01438	31	804-012C	7, 9, 15, 49
0.285.7510.00	29	326-670H82	11	8.2.2.00560	29, 31	804-014C	15
0.288.7101.00	29, 31	326-670H83	11	8.4.7.01045	29, 31	804-015C	15, 51, 53, 55
0.316.1300.00	31	326-679H	13	8.4.7.02265	29, 31	804-017C	51, 53, 55
0.316.1301.00	31	326-680H	13	8.5.1.00533	29	804-021C	13
0.316.7100.00	31	326-691A	37	8.5.2.00332	29	804-025C	11
0.316.7101.00	31	326-692A	41	8.6.5.00006	29	804-026C	11
0.345.0300.00	31	326-693A	35	8.6.5.00203	31	804-029C	7, 9, 11, 49
0.345.2000.00	31	326-694L	35	8.7.1.01099	31	804-036C	11, 15
0.345.3000.00	31	326-695L	35	8.7.1.02349	29	804-075C	11
0.345.3002.00	31	326-696A	39	8.7.3.00331	29, 31	804-147C	47
0.345.5001.00	31	326-697L	39	8.7.3.01080	31	805-058C	13
0.345.6001.00	31	326-698A	33	800-001C	13	805-088C	11
0.709.7500.00	29, 31	326-699L	33	800-060C	9, 49	805-103C	11
0.712.7500.00	29, 31	326-700L	33	800-080C	13	805-351C	11
1.181.7101.00	29, 31	326-701H	51, 53, 55	800-082C	7	807-023C	7, 9, 49
123.386.175.01	27	326-702S	51, 53, 55	802-002C	37	807-212C	7, 9, 49
123.386.181.01	25	326-703S	51, 53, 55	802-010C	11	807-350C	11
123.486.306.01	27	326-709H	51, 53	802-015C	39	814-265C	13
123.486.328.01	25	326-711H	51, 53	802-017C	7, 9, 49	815-243C	13
141.028.426.1	25	326-752H	15	802-039C	13	815-476C	13
141.028.428.1	27	326-753H	15	802-041C	33, 39	815-477C	13
142.283.2179821	27	326-754H	15	802-053C	13	816-286C	13
142.283.2309821	25	326-755H	15	802-064C	11, 51, 53	816-497C	13
142.286.2249821	27	326-762H	7, 9, 49	802-066C	11	816-504C	11
142.286.2369821	25	326-763H	7, 9, 49	802-068C	11	816-772C	41
142.287.1859821	27	326-764A	7, 9	802-082C	7, 9, 49, 51, 53	816-773C	39
142.287.1999821	25	326-766L	13	802-098C	11	817-455C	15
146.284.020.1	25, 27	326-767H	13	802-106C	37, 41, 51, 53	818-142C	43
151.018.016.1	25, 27	326-770V	13	802-138C	11	818-190C	43
151.018.228.1	25, 27	326-790H	53	802-152C	7, 9, 49	818-229C	43
151.018.241.1	25, 27	326-797H	11	802-183C	37	818-240C	43
151.018.242.1	25, 27	326-798H	11	802-184C	7, 9, 49	818-543C	43
152.280.5597810	25, 27	326-799H	11	802-205C	11	818-552C	43
152.280.5627810	25	326-821D	11	802-212C	15	818-555C	43
159.280.161	25, 27	326-956A	9, 49	802-214C	35, 51, 53, 55	818-556C	43
159.280.186	25	327-143S	11	802-224C	7, 9, 11, 49	818-564C	43
165.000.548	25, 27	327-304D	11	802-277C	47	818-681C	43
165.000.589	25, 27	327-318D	13	802-331C	53	818-714C	43
165.000.628	25	327-321D	13	802-403C	15	818-830C	43
165.000.629	27	327-329D	11	802-603C	11	818-862C	43
180.014.022	25, 27	327-334D	37	802-707C	51, 53	820-169C	47, 51, 53, 55
180.014.240	25, 27	327-335D	37	802-779C	13	820-170C	47, 51, 53, 55
180.016.636	27	327-336D	41	802-849C	13	820-217C	51, 53, 55
180.016.790	25	327-337D	35	802-908C	11	820-373C	51, 53
180.018.004	25, 27	327-338D	39	803-007C	7, 9, 11, 49	821-011C	45
180.018.251	25, 27	327-339D	39	803-013C	7, 9, 49	821-011CGL	45
180.018.252	25, 27	327-340D	33	803-019C	13, 51, 53	821-011CQT	45
180.018.393	25, 27	327-345D	51, 53, 55	803-020C	51, 53, 55	821-011CTU	45
180.018.435	25, 27	327-349D	53, 55	803-024C	13	821-054C	45
180.019.014	25, 27	327-371D	15	803-026C	7, 9, 11, 49	821-054CGL	45
180.019.019	25, 27	327-373D	15	803-028C	11	821-054CQT	45
180.019.115	25, 27	327-376D	7, 9, 49	803-029C	13	821-054CTU	45
180.019.116.1	25, 27	327-379D	7, 9, 49	803-030C	7, 9, 49	821-058C	45
180.019.340	25, 27	327-382D	7, 9, 49	803-031C	7, 9, 49	821-058CGL	45
190.000.098	25, 27	327-385D	11	803-037C	33, 35, 37, 39,	821-058CQT	45
190.000.099	25, 27	327-386D	11		41, 51, 53	821-058CTU	45
190.000.243	25, 27	327-387D	13	803-038C	11	821-066C	45
190.000.271	25, 27	327-418D	53	803-078C	13	821-066CGL	45
300-236D	11	327-434D	37	803-168C	11, 51, 53, 55	821-066CQT	45
312-821D	11	327-454D	51, 53	803-169C	7, 9, 49	821-066CTU	45
318-309D	51, 53, 55	327-460D	15	803-170C	47	821-067C	45
318-336D	35	334-574M	49	803-177C	11	821-067CGL	45
318-586A	47	8.0.9.00079	29, 31	803-198C	11, 39	821-067CQT	45
326-222H	11	8.0.9.00107	31	803-230C	11, 37	821-067CTU	45
326-223H	11	8.0.9.00143	29	803-255C	11	821-070C	45
326-429H	47	8.0.9.00469	31	803-299C	15, 51, 53	821-070CGL	45





## Part Number Index (continued)

Part Number	Page	Part Number	Page
821-070CQT	45	Dwg 35884	33
821-070CTU	45	Dwg 35887	41
821-080C	45	Dwg 35888	37
821-080CGL	45	Dwg 35889	51
821-080CQT	45	Dwg 35890	53
821-080CTU	45	Dwg 35891	43
822-020C	13	Dwg 35893	15
822-021C	13	Dwg 35895	7
822-033C	13	Dwg 35897	27
822-034C	13	Dwg 35903	31
826-317C	15, 29	Dwg 35904	25
826-486C	15, 29	Dwg 35905	47
826-780C	15, 25	Dwg 35908	21
826-781C	15, 27	Dwg 35912	55
826-782C	15, 21	Dwg 35929	17
826-784C	15	Dwg 35930	23
826-785C	15	Dwg 35932	19
826-796C	15, 23	Dwg 37626	9, 49
837-062C	11	Dwg35885	39
837-063C	11	dwg35886	35
837-101C	15	HT250	13
838-374C	43	J-37-A	9, 49
838-412C	43	J-37-R	9, 49
838-603C	43	J-AC1-15-B	9, 49
838-614C	43	N/A	25, 27, 31
838-615C	43	U0.125.0531.00	29
838-959C	43	U0.125.1301.00	29
838-966C	43	U0.125.2050.00	29
840-273C	11	U0.125.3002.00	29
842-243C	15	U0.125.5003.00	29
842-339C	15	U0.125.6003.00	29
842-344C	51, 53, 55	U0.125.7032.00	31
848-122C	43	U0.125.7100.00	29
858-034C	43	Y10	17, 19
858-038C	43	YB821	21, 23
890-311C	7		
890-312C	7		
890-341C	33, 35		
890-390C	7		
890-640C	7		
891-458C	11		
891-462C	11		
891-463C	11		
891-522C	9, 49		
891-523C	9, 49		
891-529C	9, 49		
891-530C	9, 49		
891-531C	9, 49		
891-532C	9, 49		
A1090	21, 23		
A544	21, 23		
A634	21, 23		
A824	21, 23		
A824120	21, 23		
A824520	21, 23		
A8254	21, 23		
A8263	21, 23		
B3727	17, 19		
B3728	17, 19		
B503_BA	17, 19		
B6502	17, 21		
B6503	19, 23		
B6523	17, 19		
B6524	17, 19		
B6528	17		
B6532	17, 19		
B6534	17, 19		
B6537	19		
Dwg 21167	29		
Dwg 35880	11		
Dwg 35881	13		



Great Plains Manufacturing, Inc.

Corporate Office: P.O. Box 5060  
Salina, Kansas 67402-5060 USA

[www.landpride.com](http://www.landpride.com)

---