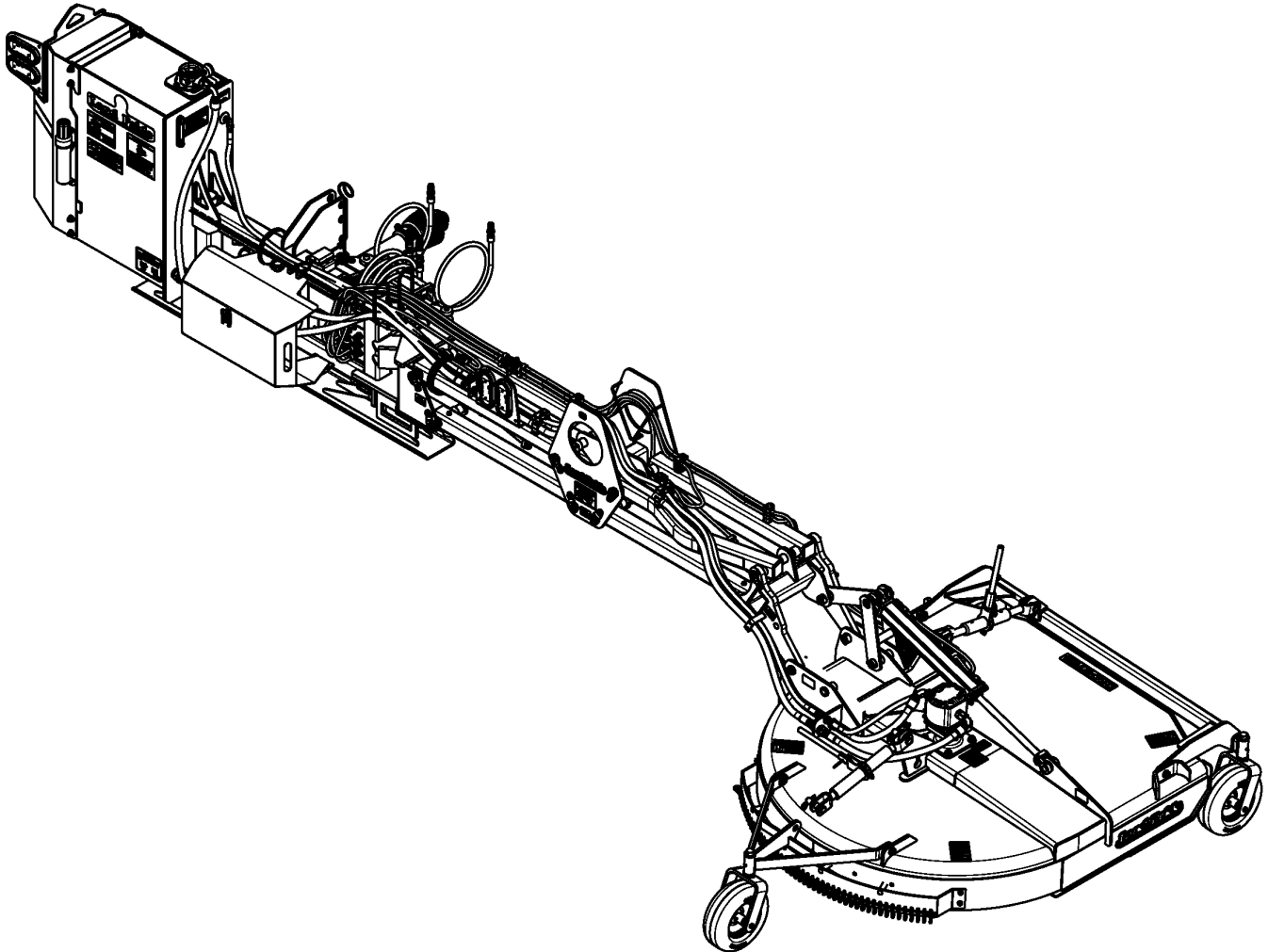


Rotary Cutters

RCP(M)2760 & RCP(M)3760



74542

316-548P **Parts Manual**



Read the Operator's Manual entirely. When you see this symbol, the subsequent instructions and warnings are serious - follow without exception. Your life and the lives of others depend on it!

© Copyright 2021 Printed 05/05/21

Cover photo may show optional equipment not supplied with standard unit.





Table of Contents

Section 1: Introduction.....	4	Section 7: Options & Accessories.....	66
Using This Manual.....	4	Gauge Wheel Package.....	66
Manual Replacement Information.....	4	Stabilizer Kit.....	68
Manual Revisions.....	4		
Touch-up Paint.....	4		
Hardware Legend.....	5		
Replacement Hardware.....	5		
Serial Numbers.....	5		
Part Number Service Coding.....	5		
Section 2: Frame.....	6	Part Number Index.....	70
Main Frame.....	6		
Parallel Arms.....	8		
RCP Lights.....	10		
Section 3: Deck.....	12		
Blade Carrier.....	12		
Blade Drive.....	14		
Chain Guard Front.....	16		
Chain Guard Rear.....	18		
Deck Link.....	20		
Spindle Hub Assembly (826-110C).....	22		
Section 4: Hydraulics.....	24		
Arm & Deck Hydraulic Cylinders & Hoses.....	24		
Arm & Deck Hydraulic Cylinders & Hoses W/ Solenoid Valve.....	26		
Breakaway Hydraulic Cylinder & Hoses (Tractor Hydraulics).....	28		
Breakaway Hydraulic Cylinder & Hoses W/ Solenoid Valve.....	30		
Frame Hydraulics.....	32		
Frame Hydraulics W/ Solenoid Valve.....	34		
Hydraulic Cylinder (810-198C) Red Lion.....	36		
Hydraulic Cylinder (810-522C) Midway.....	38		
Hydraulic Cylinder (810-535C) Red Lion.....	40		
Hydraulic Cylinder (810-576C) Cross 3000 PSI.....	42		
Hydraulic Cylinder (810-577C) Cross 3000 PSI.....	44		
Hydraulic Cylinder (810-932C) Monarch.....	46		
Hydraulic Gear Increaser 1000 RPM (826-138C) Bondioli.....	48		
Hydraulic Gear Increaser 540 RPM (826-108C) Bondioli.....	50		
Hydraulic Motor (810-314C) Ultra.....	52		
Hydraulic Pump (810-208C) Ultra.....	54		
Hydraulic Pump (831-133C) Parker.....	56		
Joystick & Wire Harness.....	58		
Section 5: Drivelines.....	60		
Driveline (826-373C) Comer.....	60		
Driveline (826-877C) Comer.....	62		
Section 6: Decals.....	64		
Decal Placement.....	64		

© Copyright 2021. All rights reserved.

Land Pride provides this publication "as is" without warranty of any kind, either expressed or implied. While every precaution has been taken in the preparation of this manual, Land Pride assumes no responsibility for errors or omissions. Neither is any liability assumed for damages resulting from the use of the information contained herein. Land Pride reserves the right to revise and improve its products as it sees fit. This publication describes the state of this product at the time of its publication, and may not reflect the product in the future. The illustrations in this manual are not intended for safe and proper assembly or disassembly of equipment. The illustrations are intended for ordering parts only.

Land Pride is registered trademark.

All other brands and product names are trademarks or registered trademarks of their respective holders.

Printed in the United States of America.



Alphabetized Table of Contents

<p>A</p> <p>Arm & Deck Hydraulic Cylinders & Hoses.....24</p> <p>Arm & Deck Hydraulic Cylinders & Hoses W/ Solenoid Valve.....26</p> <p>B</p> <p>Blade Carrier.....12</p> <p>Blade Drive.....14</p> <p>Breakaway Hydraulic Cylinder & Hoses (Tractor Hydraulics).....28</p> <p>Breakaway Hydraulic Cylinder & Hoses W/ Solenoid Valve.....30</p> <p>C</p> <p>Chain Guard Front.....16</p> <p>Chain Guard Rear.....18</p> <p>D</p> <p>Decal Placement.....64</p> <p>Deck Link.....20</p> <p>Driveline (826-373C) Comer.....60</p> <p>Driveline (826-877C) Comer.....62</p> <p>F</p> <p>Frame Hydraulics.....32</p> <p>Frame Hydraulics W/ Solenoid Valve.....34</p> <p>G</p> <p>Gauge Wheel Package.....66</p> <p>H</p> <p>Hydraulic Cylinder (810-198C) Red Lion.....36</p> <p>Hydraulic Cylinder (810-522C) Midway.....38</p> <p>Hydraulic Cylinder (810-535C) Red Lion.....40</p> <p>Hydraulic Cylinder (810-576C) Cross 3000 PSI.....42</p> <p>Hydraulic Cylinder (810-577C) Cross 3000 PSI.....44</p> <p>Hydraulic Cylinder (810-932C) Monarch.....46</p> <p>Hydraulic Gear Increaser 1000 RPM (826-138C) Bondioli.....48</p> <p>Hydraulic Gear Increaser 540 RPM (826-108C) Bondioli.....50</p> <p>Hydraulic Motor (810-314C) Ultra.....52</p> <p>Hydraulic Pump (810-208C) Ultra.....54</p> <p>Hydraulic Pump (831-133C) Parker.....56</p> <p>J</p> <p>Joystick & Wire Harness.....58</p> <p>M</p> <p>Main Frame.....6</p> <p>P</p> <p>Parallel Arms.....8</p> <p>R</p> <p>RCP Lights.....10</p>	<p>S</p> <p>Spindle Hub Assembly (826-110C).....22</p> <p>Stabilizer Kit.....68</p>
---	--

General Information

Using This Manual

This manual is divided into sections. The first section contains General Information. The remaining sections divide the machine into segments (i.e. Frames, Drives, Hydraulics, etc.) which illustrate and list all parts. A Parts Number Index is located at the back of the book.

The Land Pride parts in this manual are specially designed for this machine and should be replaced with Land Pride parts only.

The information in this manual is current at time of printing. Some parts may change to assure top performance.

Right-hand and left-hand as used in this manual are determined by facing the direction the machine will travel while in use.

Below is an example of two facing pages from a parts manual. Familiarize yourself with the type of information contained on these pages.

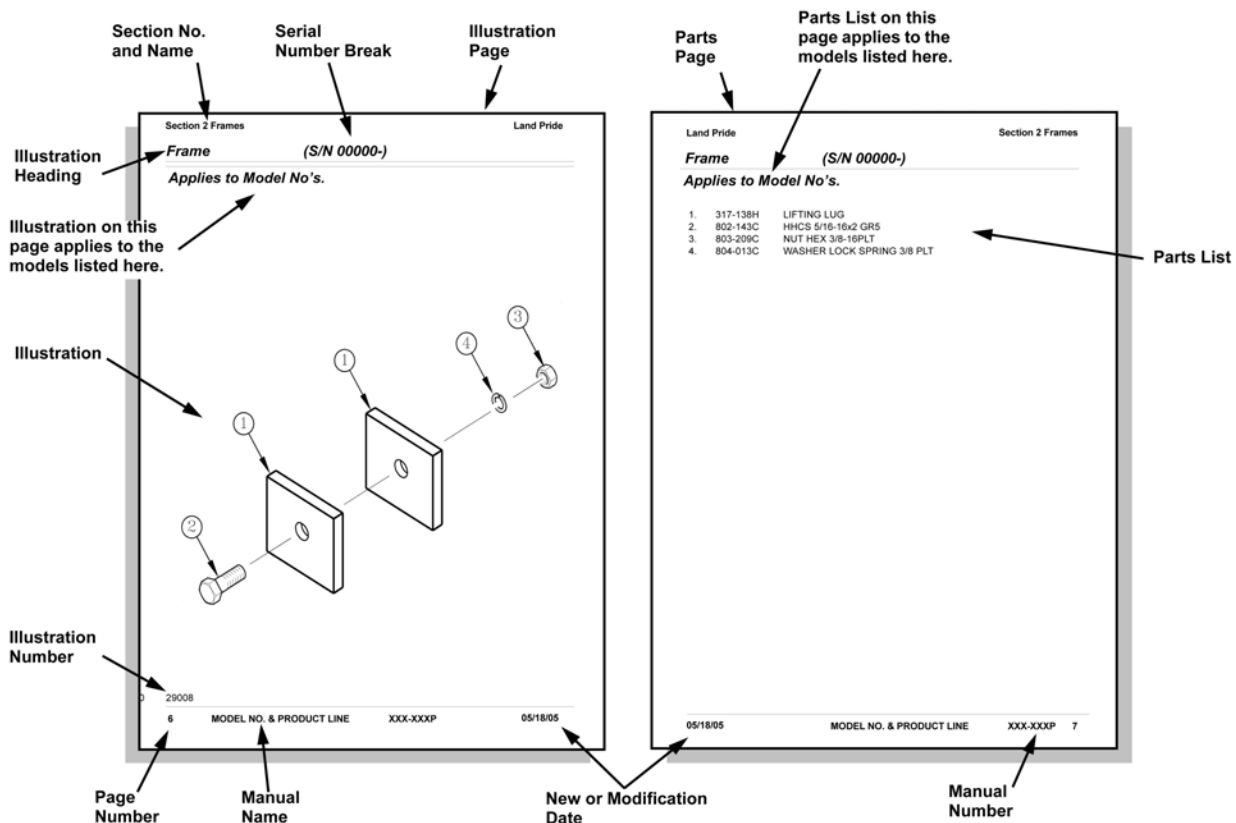
Manual Replacement Information

Replacement manuals are available. Refer to our website at www.landpride.com or e-mail us at lit@landpride.com for additional information. Our website continues to provide the most up-to-date manuals available.

Touch-up Paint

Repaint parts where paint is worn or scratched to prevent rust. Aerosol cans and touch-up bottles with brush applicator are available through your local dealer. Also available are quart and gallon size paints. Add QT or GL to end of the Aerosol P/N.

Land Pride color descriptions and part numbers are listed on the "Land Pride Touch-up Paints" page in the "Decals" section of this book. Color options vary by product.



General Information

Hardware Legend

AR	As Required
BLADE	Blade Bolt
C	Cap Screw
CP	Cotter Pin
CPHSSS	Cup Point Hex Socket Set Screw
CPSHSS	Cup Point Square Head Set Screw
CPSQHSS	Cup Point Square Head Set Screw
CRFCHMS3	Cross Recess Flat Countersunk Head Machine Screw
CRPHMS	Cross Recess Pan Head Machine Screw
CRPHTF	Cross Recess Pan Head Thread Forming
CRRHMS	Cross Recess Round Head Machine Screw
CRTHMS	Cross Recess Truss Head Machine Screw
CSNB	Countersunk Square Neck Bolt
FHMS	Flat Head Machine Screw
FTC	Full Thread Cap Screw
H	Hex Nut
HCLN	Hex Center Lock Nut
HFLCS	Hex Flange Lock Cap Screw
HFS	Hex Flange Screw
HFSLN	Hex Flange Serrated Lock Nut
HFSS	Hex Flange Serrated Screw
HHCS	Hex Head Cap Screw or Metric Bolt
HSBHCS	Hex Socket Button Head Cap Screw
HSFCHCS	Hex Socket Flat Countersunk Head Cap Screw
HSHCS	Hex Socket Head Cap Screw
HSSS	Hex Socket Head Screw
HTLN	Hex Top Lock Nut
HWHCS	Hex Washer Head Cap Screw

HWHMS	Hex Washer Head Machine Screw
HXBHCS	Hex Socket Button Head Cap Screw
J	Hex Jam Nut
JIC	37 Degree Tapered Thread
L	Helical Spring Lock Washer
LUG	Lug Bolt
NFC	National Fine Cap Screw
NPSM	National Pipe Straight Mechanical
NPTF	National Pipe Taper Fuel
P	Wide Plain Washer
PHMS	Pan Head Machine Screw
PLOW	Plow Bolt
RHMS	Round Head Machine Screw
RHSNB	Round Head Square Neck Bolt
SCREW LEVELING	Leveling Screw
SCREW THUMB	Thumb Screw
SCREW WELD	Weld Screw
SFCHMS	Slotted Flat Countersunk Head Machine Screw
SFHMS	Slotted Fillister Head Machine Screw
SP	Special
SP SCREW	Special Screw
SQHSS	Square Head Set Screw
SRHMS	Slotted Round Head Machine Screw
SSS	Socket Set Screw
STCS	Self Tapping Cap Screw
STHMS	Slotted Truss Head Machine Screw
WHEEL	Wheel Studs and Hub Long Bolts
WING	Wing Bolt

Replacement Hardware

The **Hardware Legend** above lists hardware abbreviations used in the parts list. All bolts and nuts are Grade 5 unless otherwise noted. The use of improper grades of hardware can result in personal injury, damage to equipment, or loss of property.

Colored Replacement Parts

Land Pride offers replacement parts in factory standard colors and also on select models in Green, Orange, Red and Blue. Because of the variety of colors available, special attention must be given to the part number to prevent ordering the wrong replacement part.

A suffix number corresponding to one of the colors below must be added at the end of Land Pride's part number when ordering a replacement part with that color.

81 Green 83 Red
82 Orange 84 Blue

For example, if you are ordering a replacement part with part number 555-555C and the part you need is red, then add the suffix 83 to the end of the number to make the part number read 555-555C83. Parts ordered without a suffix number will be supplied in factory standard colors.

Black Replacement Parts

Some parts are factory standard black and some must be special ordered black. If your part is special ordered black, a second part number with the additional suffix number 85 on the end will be available. In this situation you must order that part with the suffix number for it to be black. Parts that are factory standard black will not have the suffix number.

Part Number Service Coding

Within the parts list some part numbers are coded for revisions and interchangeability. See notations in revision column.

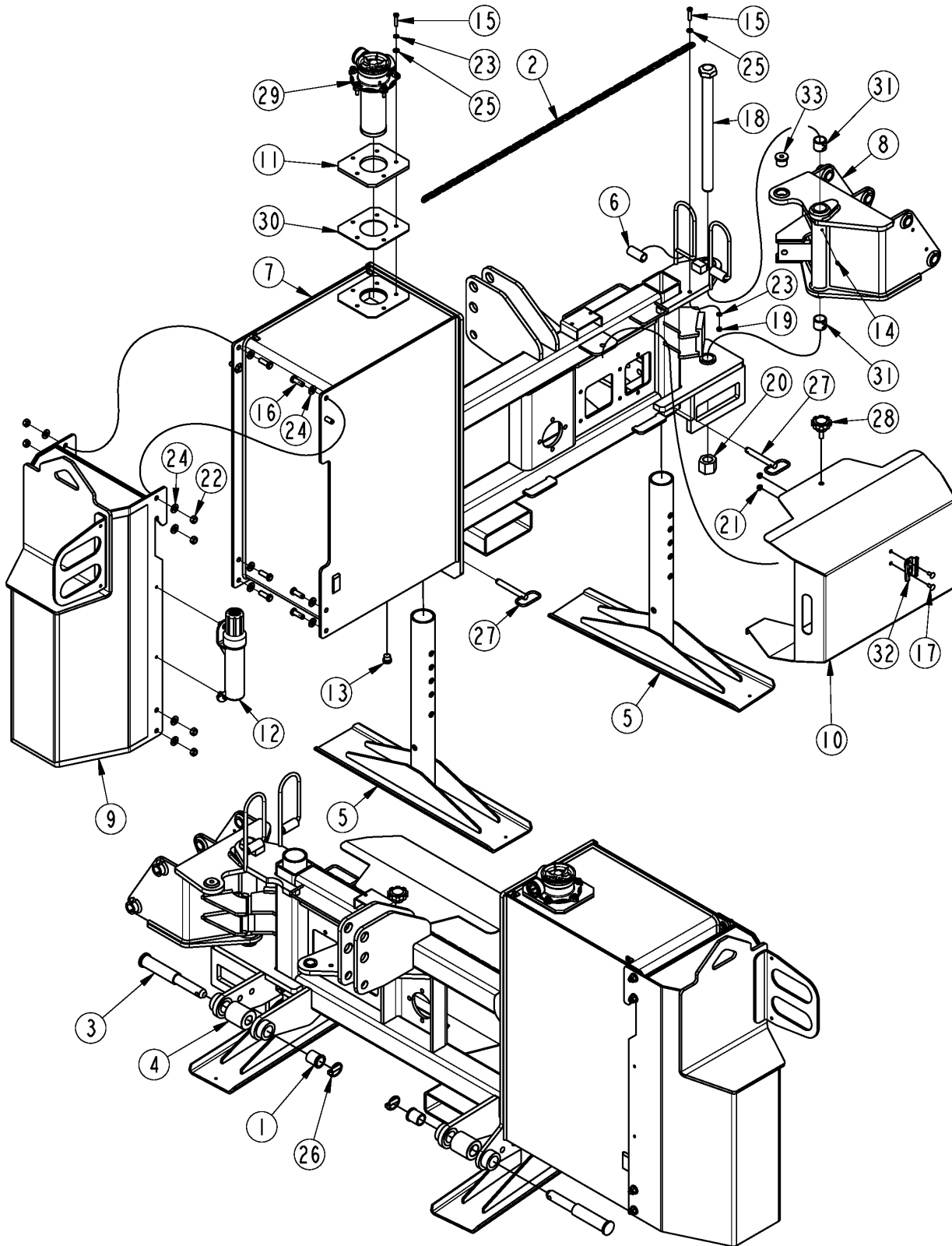
Serial Numbers

Always use the serial and model number when ordering parts. Refer to the Operator's Manual for serial number plate location.

- | | |
|----------------------|--|
| (S/N 20001+) | Includes serial numbers 20001 and above (to the latest number) |
| (S/N 10001 to 20000) | Includes serial numbers between and including 10001 and 20000 |
| (S/N 10000-) | Includes serial numbers 10000 and below (to the earliest number) |

Main Frame

Applies to RCP2760, RCP3760, RCPM2760, RCPM3760



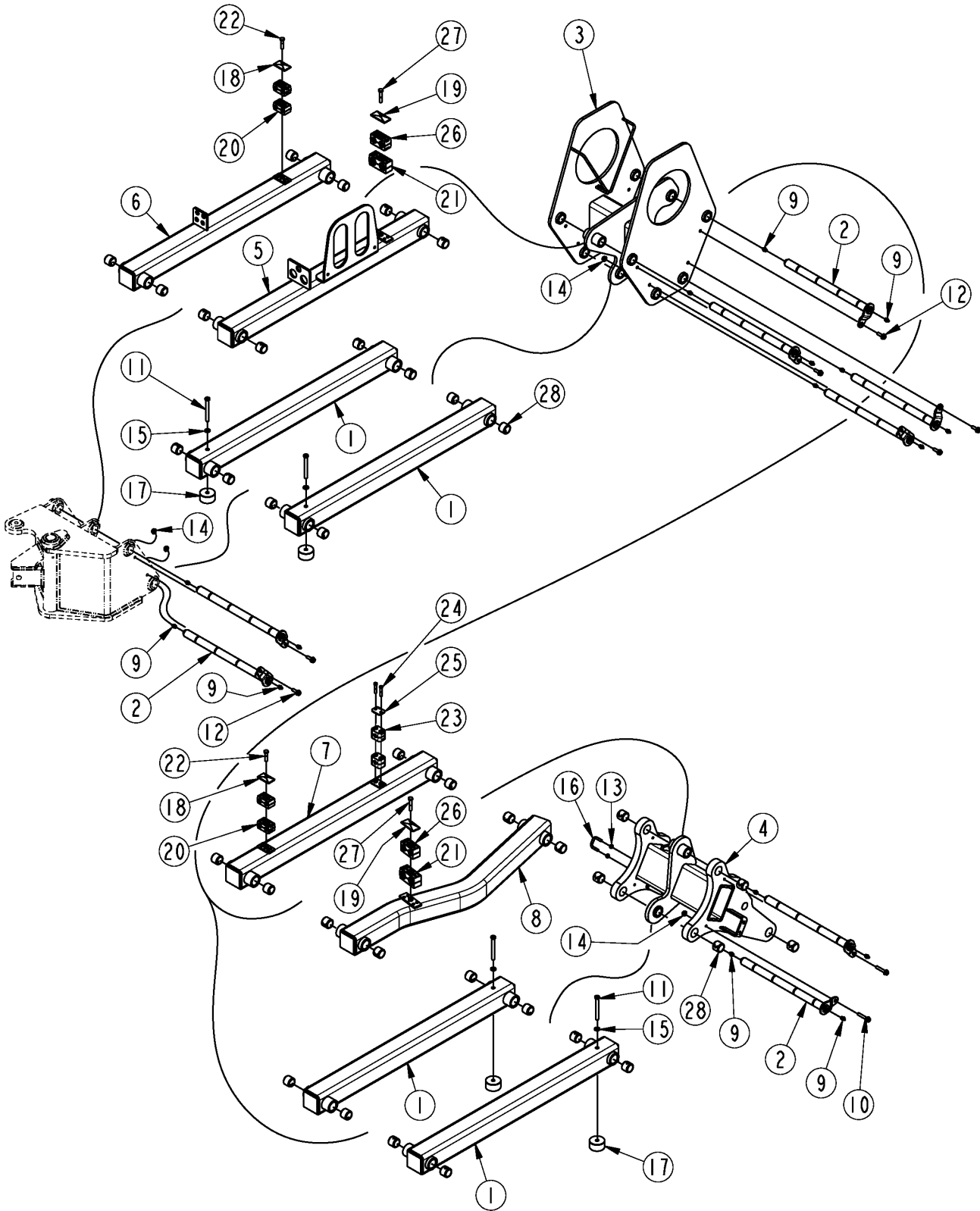
74545

Main Frame**Applies to RCP2760, RCP3760, RCPM2760, RCPM3760**

Ref	Part No.	Part Description	Comments	Revision
	Dwg 74545	Image No.		
1.	300-318D	HITCH BUSHING		
2.	316-034D	TRANSPORT CHAIN		
3.	316-099D	PIN HTCH C2-C3 10.25 L		
4.	316-100D	HITCH SPACER		
5.	316-270H	STORAGE LEGS		
6.	316-290D	HOSE GUIDE ROLLER		
7.	316-433H	PARM DIRECT MAIN FRAME WLDMNT	Direct frame	
7.	316-433H82	PARM DIRECT FRAME WELD ORANGE	Direct frame (Orange)	
7.	316-371H	PARM INDP MAIN FRAME WLDMNT	Independent frame	
7.	316-371H82	PARM INDP FRAME WELD ORANGE	Independent frame (Orange)	
8.	316-377H	PIVOT HEAD/INNER HINGE WELD		
8.	316-377H82	PIVOT HEAD/INNER HINGE ORANGE	Orange	
9.	316-401H	WEIGHT BOX WELDMNT		
9.	316-401H82	WEIGHT BOX WMT ORANGE	Orange	
10.	316-402H	PUMP AND VALVE SHIELD WMT		
10.	316-402H82	PUMP AND VALVE SHIELD ORANGE	Orange	
11.	316-579D	FILTER MOUNT PLT		
12.	326-282S	MANUAL CONTAINER KIT, 1"		
13.	800-066C	DRAIN PLUG 3/4-16 UNF PLATED		
14.	800-080C	GREASE ZERK 1/4-28 THD FORMING		
15.	802-012C	HHCS 5/16-18X1 1/2 GR5		
16.	802-091C	HHCS 1/2-13X1 1/2 GR5		
17.	802-092C	RHSNB 5/16-18X3/4 GR5		
18.	802-428C	HHB 1 1/4-7X17 GR5 SPTHD		
19.	803-008C	NUT HEX 5/16-18 PLT		
20.	803-081C	NUT HEX 1 1/4-7 NYLON INSERT		
21.	803-177C	NUT HEX FLG TP LK 5/16-18ZNYCR		
22.	803-342C	NUT HEX TOP LOCK 1/2-13 PLT		
23.	804-009C	WASHER LOCK SPRING 5/16 PLT		
24.	804-016C	WASHER FLAT 1/2 SAE PLT		
25.	804-036C	WASHER FLAT 5/16 SAE PLT		
26.	805-103C	PIN LINCH 7/16 X 1 3/4		
27.	805-175C	PIN HTCH DTNT .63X3.75 USBL		
28.	817-455C	KNOB 1/2-13 MALE THD 2 3/8OD		
29.	831-130C	FILTER TANK MOUNT		
30.	836-085C	COVER GASKET RCP		
31.	890-309C	BUSH 1 1/2ODX1 1/4IDX1 1/4LONG		
32.	890-401C	SMV MOUNTING SOCKET		
33.	316-513D	BREAKAWAY BUSHING HARDENED	Weld in bushing	

Parallel Arms

Applies to RCP2760, RCP3760, RCPM2760, RCPM3760



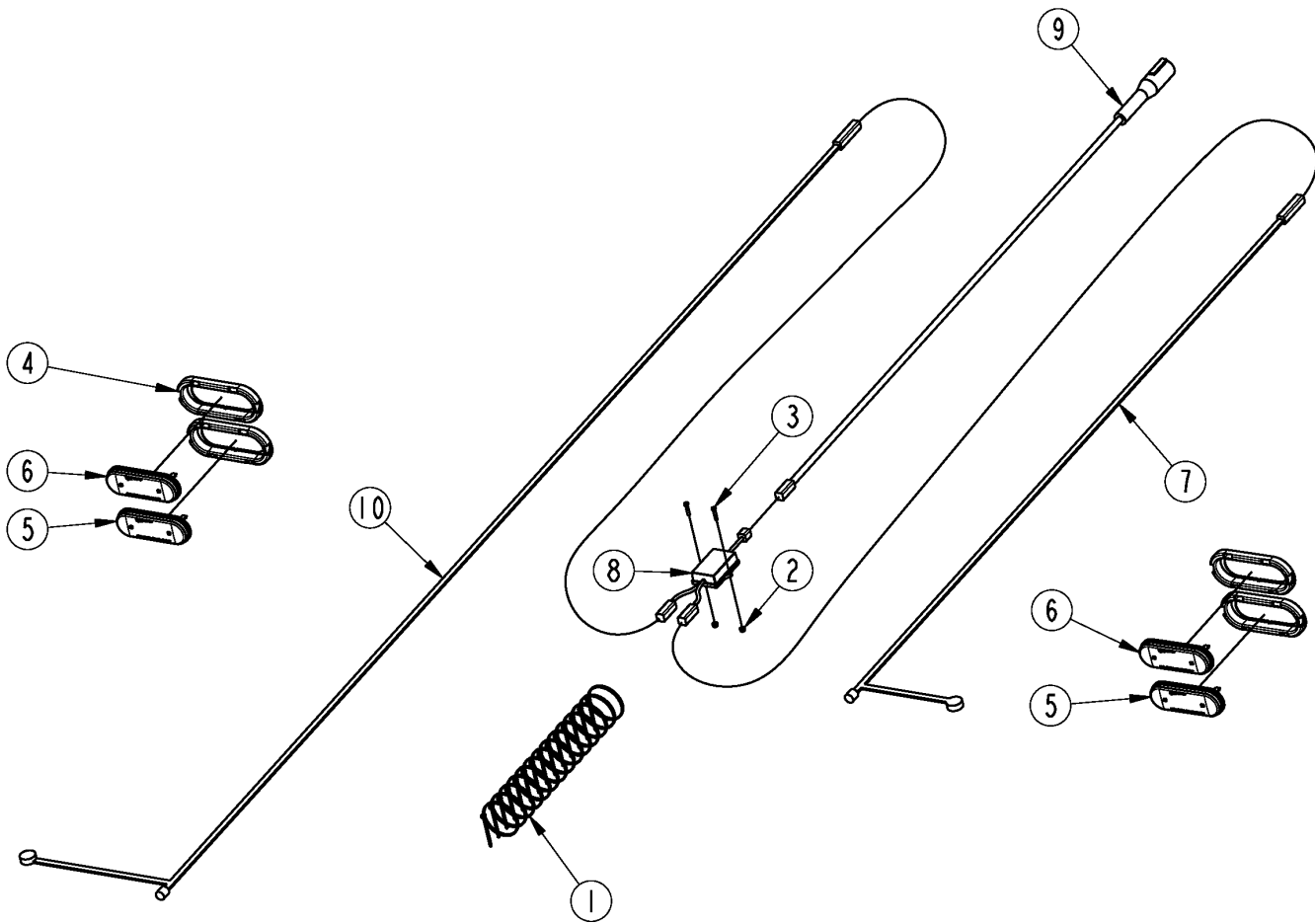
74551

Parallel Arms**Applies to RCP2760, RCP3760, RCPM2760, RCPM3760**

Ref	Part No.	Part Description	Comments	Revision
	Dwg 74551	Image No.		
1.	316-115H	PARALLEL ARM WELDMENT	RCP(M)2760	
1.	316-115H82	PARALLEL ARM WELDMENT ORANGE	RCP(M)2760 (Orange)	
1.	316-164H	INNER PAR ARM WELD	RCP(M)3760	
1.	316-164H82	INNER PAR ARM WELD ORANGE	RCP(M)3760 (Orange)	
2.	316-207H	PIVOT PIN WLDMNT W/LOCK TAB		
3.	316-404H	MIDDLE HINGE WELDMENT		
3.	316-404H82	MIDDLE HINGE WLDMNT ORANGE	Orange	
4.	316-406H	OUTER HINGE WELD		
4.	316-406H82	OUTER HINGE WLDMNT ORANGE	Orange	
5.	316-413H	WLDMNT, REAR INNER PARA ARM	RCP(M)2760	
5.	316-413H82	REAR INNER PARA ARM ORANGE	RCP(M)2760 (Orange)	
5.	316-411H	WLDMNT, REAR INNER PARA ARM	RCP(M)3760	
5.	316-411H82	REAR INNER PARA ARM ORANGE	RCP(M)3760 (Orange)	
6.	316-418H	WLDMNT IFWD INNER PARA ARM	RCP(M)2760	
6.	316-418H82	WLDMNT IFWD INNER PARM ORANGE	RCP(M)2760 (Orange)	
6.	316-419H	WLDMNT FWD INNER PARA ARM	RCP(M)3760	
6.	316-419H82	WLDMNT FWD INNER PARM ORANGE	RCP(M)3760 (Orange)	
7.	316-423H	OUTBD FWD PARM WLDMNT	RCP(M)2760	
7.	316-423H82	OUTBD FWD PARM WLDMNT ORANGE	RCP(M)2760 (Orange)	
7.	316-421H	INBOARD FWD PARA ARM WELD	RCP(M)3760	
7.	316-421H82	INNER FWD PARM WELD ORANGE	RCP(M)3760 (Orange)	
8.	316-424H	BENT PARM WLDMNT	RCP(M)2760	
8.	316-424H82	BENT PARM WLDMNT ORANGE	RCP(M)2760 (Orange)	
8.	316-422H	OUTBOARD AFT PARA ARM WELD	RCP(M)3760	
8.	316-422H82	OUTER AFT PARM WELD ORANGE	RCP(M)3760 (Orange)	
9.	800-130C	GREASE ZERK STRAIGHT 1/8-27NPT		
10.	802-094C	HFSS 5/16-18X1 3/4 GR5		
11.	802-147C	HHCS 3/8-16X3 1/2 GR5		
12.	802-431C	HFSS 5/16-18X1 GR5 PLT		
13.	803-007C	NUT LOCK 1/4-20 PLT		
14.	803-177C	NUT HEX FLG TP LK 5/16-18ZNYCR		
15.	804-013C	WASHER LOCK SPRING 3/8 PLT		
16.	806-108C	U-BOLT 1/4-20 X 1 1/8 X 1 1/4		
17.	816-441C	BUMPER 2 ODX1 W/3/8-16 FEMALE		
18.	851-244C	STAUFF COVER PLATE GROUP 2D		
19.	851-245C	STAUFF COVER PLATE GROUP 3D		
20.	861-928C	STAUFF CLAMP BODY 2D 0.53 HOLE		
21.	861-929C	STAUFF CLAMP BODY 4D 1.10 HOLE		
22.	861-932C	STAUFF HEAD BOLT 2D		
23.	861-942C	STAUFF CLAMP .5" SINGLE GRP 2		
24.	861-943C	STAUFF GRP2 STD HEAD BOLT		
25.	861-946C	STAUFF CLAMP TOP PLATE GRP 2		
26.	861-994C	STAUFF CLAMP BODY .82 HOLE		
27.	861-995C	STAUFF HEAD BOLT GROUP 3D		
28.	890-005C	BUSHING CYL 1 1/4 X 1 X 1		

RCP Lights

Applies to RCP2760, RCP3760, RCPM2760, RCPM3760



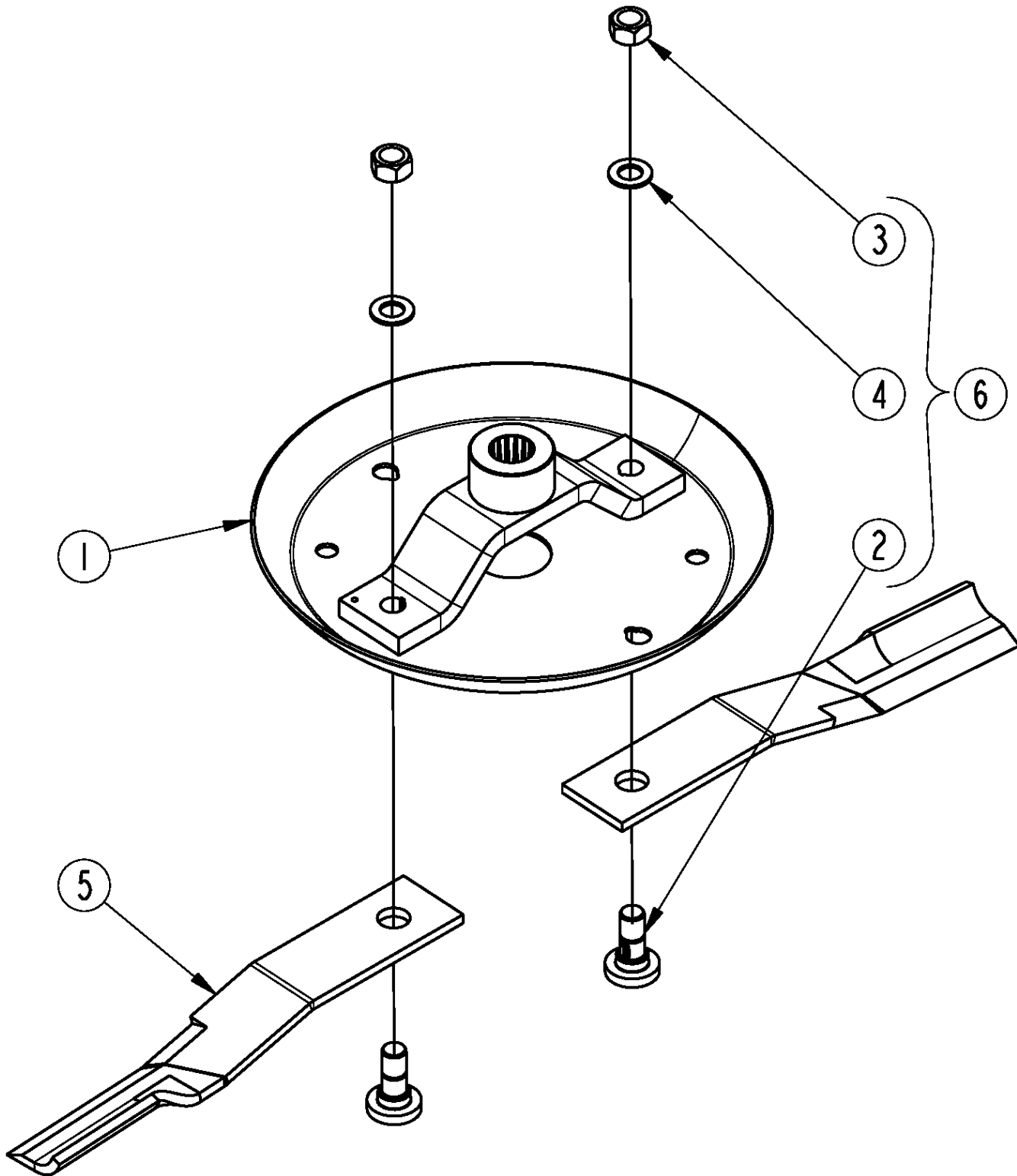
74555

RCP Lights**Applies to RCP2760, RCP3760, RCPM2760, RCPM3760**

Ref	Part No.	Part Description	Comments	Revision
	Dwg 74555 316-412L	Image No. LIGHT KIT, RCP27/37 *		
1.	800-060C	CABLE TIE .19X14.25 3DIA 50LB		
2.	803-268C	NUT HEX NYLOCK 10-24 PLT		
3.	842-265C	HHCS #10-24X1 GR5		
4.	843-159C	LIGHT GROMMET 2.5 X 6.75		
5.	843-208C	RED OVAL LED LIGHT		
6.	843-209C	AMBER OVAL LED LIGHT		
7.	843-210C	LIGHT HARNESS, 82"		
8.	843-211C	ENHANCE MODULE		
9.	843-215C	LEAD WIRE HARNESS 5'		
10.	843-385C	LIGHT HARNESS, 108"		

Blade Carrier

Applies to RCP2760, RCP3760, RCPM2760, RCPM3760



74557

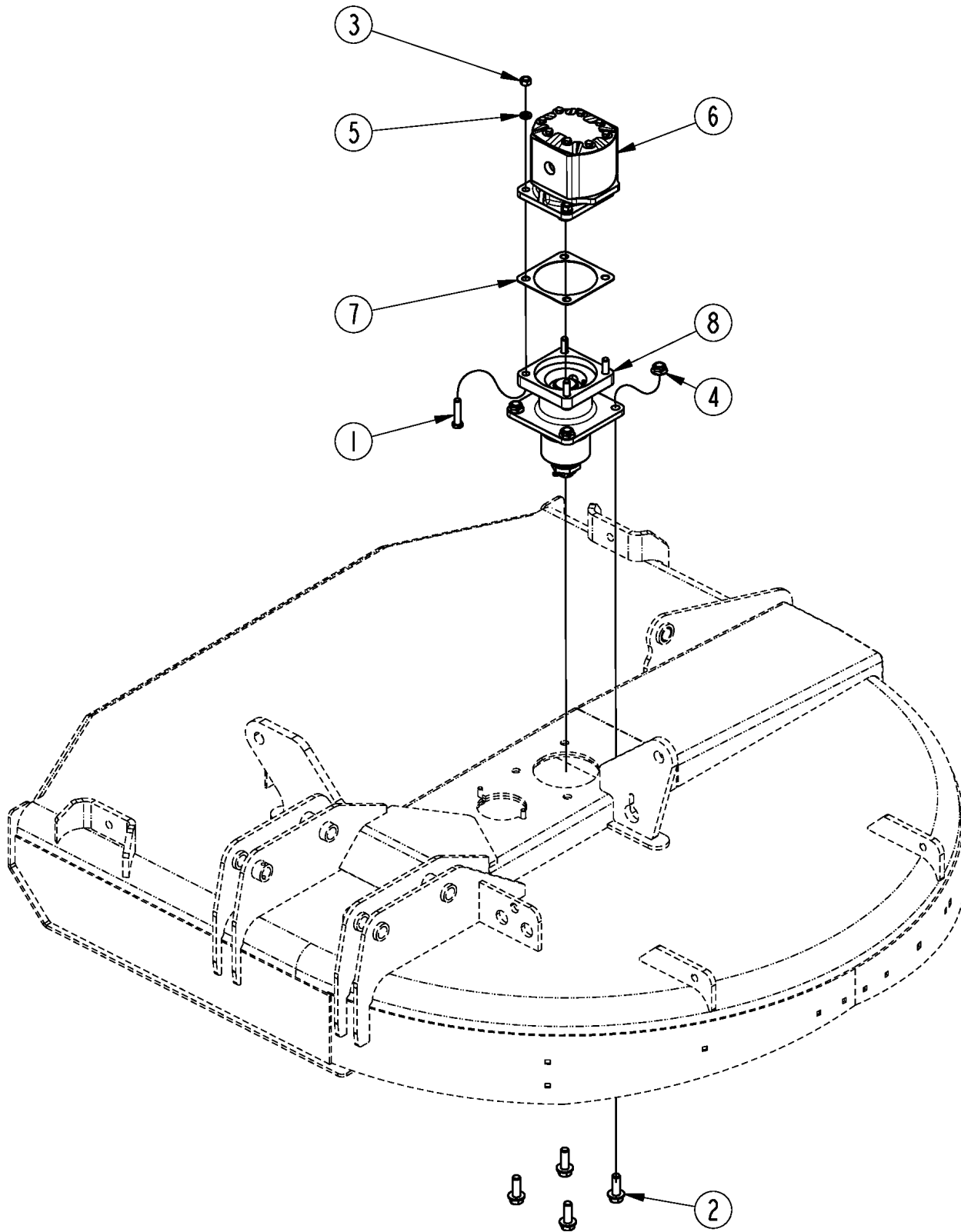
Blade Carrier

Applies to RCP2760, RCP3760, RCPM2760, RCPM3760

Ref	Part No.	Part Description	Comments	Revision
	Dwg 74557	Image No.		
1.	316-124H	24RND DSHPN WMT 15C/C SPCL-HB		
2.	802-277C	BLD BLT 1 1/8-12X3.44 W/.25KEY	.25 Key	
3.	803-170C	NUT HEX TOP LOCK 1 1/8-12 PLT		
4.	804-147C	WASHER FLAT 1" HARDENED		
5.	820-112C	CUTTER BLADE 1/2X4X25 CW		
6.	318-586A	BLADE BOLT KIT		

Blade Drive

Applies to RCP2760, RCP3760, RCPM2760, RCPM3760



74556

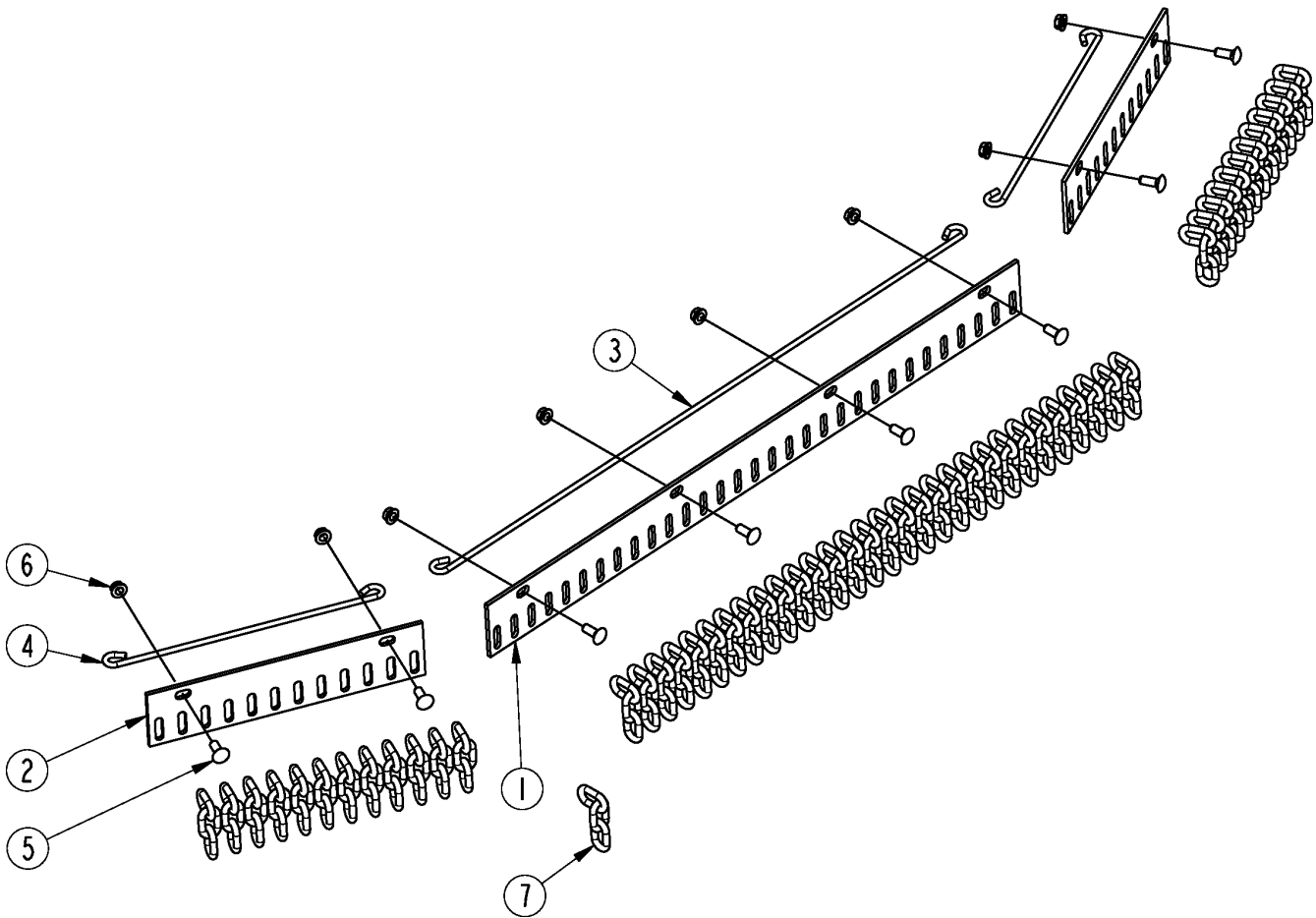
Blade Drive

Applies to RCP2760, RCP3760, RCPM2760, RCPM3760

Ref	Part No.	Part Description	Comments	Revision
	Dwg 74556	Image No.		
1.	802-038C	HHCS 1/2-13X2 1/4 GR5		
2.	802-657C	HFS 5/8-11 X 1 3/4 GR8		
3.	803-020C	NUT HEX 1/2-13 PLT		
4.	803-263C	NUT HEX FLANGE LOCK 5/8-11 PLT		
5.	804-015C	WASHER LOCK SPRING 1/2 PLT		
6.	810-314C	HYD MOTOR ULTRA #3ML180A5792		
7.	816-182C	GASKET - MOTOR		
8.	826-110C	SPINDLE HUB ASSY		

Chain Guard Front

Applies to RCP2760, RCP3760, RCPM2760, RCPM3760



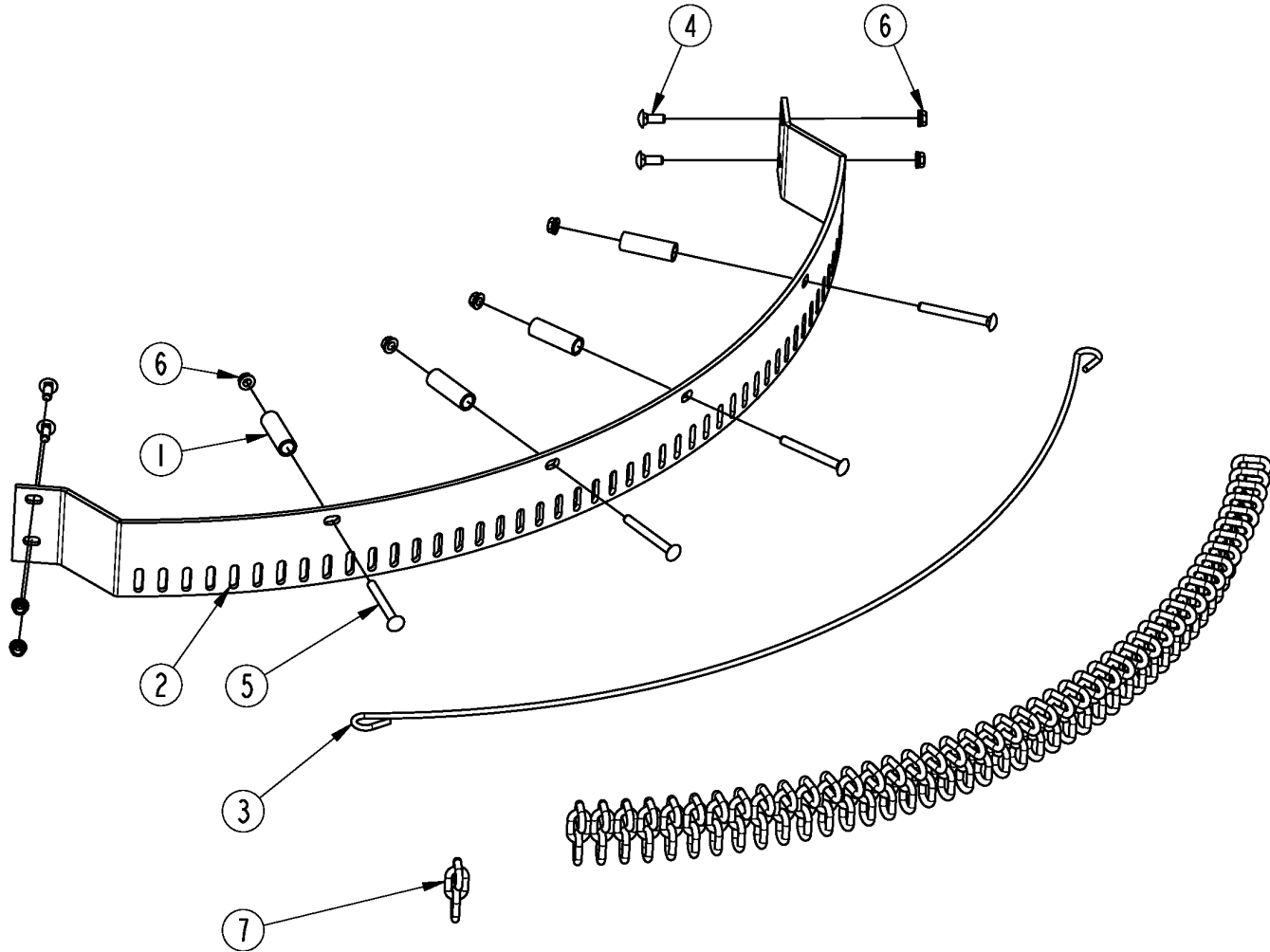
74577

Chain Guard Front**Applies to RCP2760, RCP3760, RCPM2760, RCPM3760**

Ref	Part No.	Part Description	Comments	Revision
	Dwg 74577 312-845A	Image No. FRONT CHAIN GUARD COMPLETE *		
1.	326-219D	FRONT CHAIN GUARD BRKT. CTR.		
2.	326-220D	FRONT CHAIN GUARD BRKT. OUT.		
3.	326-223D	ROUND ROD .25 X 37.29		
4.	326-224D	ROUND ROD .25 X 16.50		
5.	802-015C	RHSNB 3/8-16X1 GR5		
6.	803-198C	NUT HEX WHIZ 3/8-16 PLT		
7.	890-485C	CHAIN WELD 5/16 GR 43 X 3 LINK		

Chain Guard Rear

Applies to RCP2760, RCP3760, RCPM2760, RCPM3760



74584

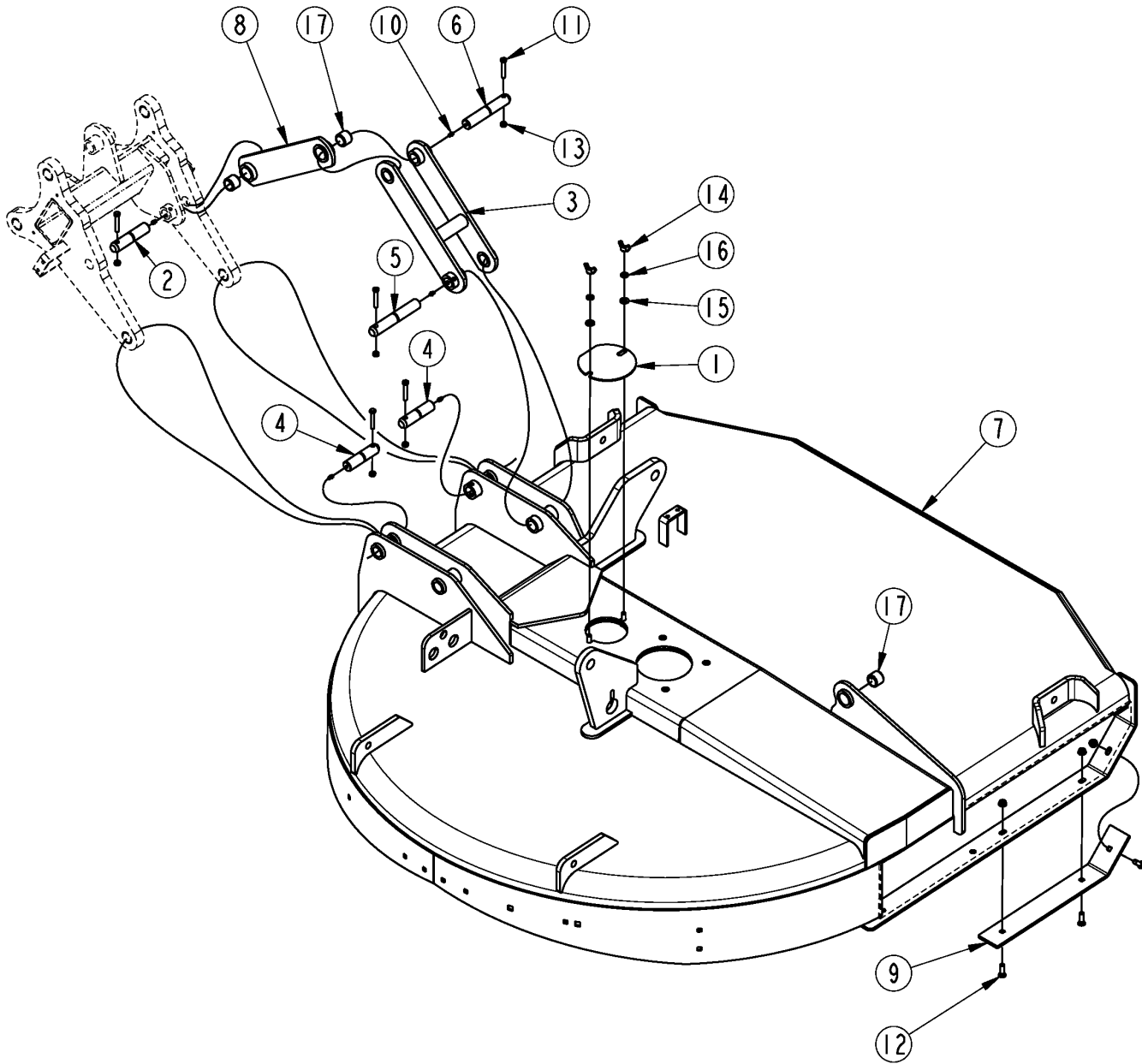
Chain Guard Rear

Applies to RCP2760, RCP3760, RCPM2760, RCPM3760

Ref	Part No.	Part Description	Comments	Revision
	Dwg 74584 316-335A	Image No. REAR CHAINGUARD *		
1.	312-948D	DEFLECTOR SPACER		
2.	326-181D	REAR CHAINGUARD BRACKET		
3.	326-182D	CHAIN ROD 1/4 X 56		
4.	802-015C	RHSNB 3/8-16X1 GR5		
5.	802-647C	RHSNB 3/8-16X3 1/2 GR5		
6.	803-198C	NUT HEX WHIZ 3/8-16 PLT		
7.	890-485C	CHAIN WELD 5/16 GR 43 X 3 LINK		

Deck Link

Applies to RCP2760, RCP3760, RCPM2760, RCPM3760



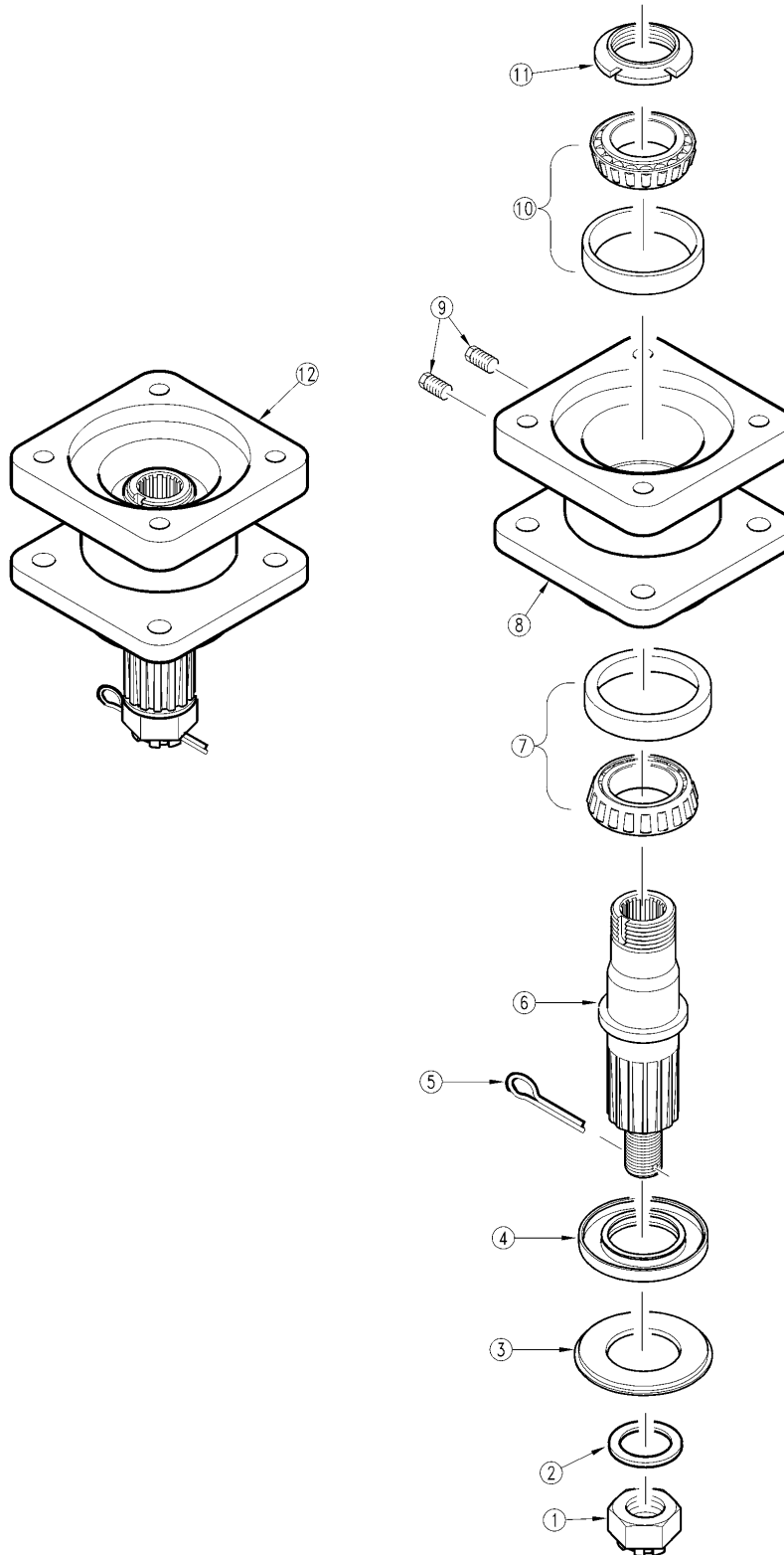
74562

Deck Link**Applies to RCP2760, RCP3760, RCPM2760, RCPM3760**

Ref	Part No.	Part Description	Comments	Revision
	Dwg 74562	Image No.		
1.	312-647D	BLADE BOLT ACCESS COVER		
2.	316-065D	PIVOT SHAFT		
3.	316-119H	DOUBLE LINK WELDMENT		
3.	316-119H82	DOUBLE LINK WLDMNT ORANGE	Orange	
4.	316-200D	GREASE PIN 3 15/16"		
5.	316-201D	GREASE PIN 6 1/4"		
6.	316-202D	GREASE PIN 5 3/4"		
7.	316-379H	PARALLEL ARM CUTTER DECK		
7.	316-379H82	PAR ARM CUTTER DECK ORANGE	Orange	
8.	316-410H	SINGLE LINK WELDMENT		
8.	316-410H82	SINGLE LINK WELDMENT ORANGE	Orange	
9.	326-221D	SKID SHOE		
10.	800-080C	GREASE ZERK 1/4-28 THD FORMING		
11.	802-115C	HHCS 5/16-18X2 GR5		
12.	802-466C	PLOW 3/8-16X1 1/4 GR5		
13.	803-011C	NUT LOCK 5/16-18 PLT		
14.	803-231C	NUT WING 3/8-16 PLT		
15.	804-012C	WASHER FLAT 3/8 SAE PLT		
16.	804-013C	WASHER LOCK SPRING 3/8 PLT		
17.	890-005C	BUSHING CYL 1 1/4 X 1 X 1		

Spindle Hub Assembly (826-110C)

Applies to RCP2760, RCP3760, RCPM2760, RCPM3760



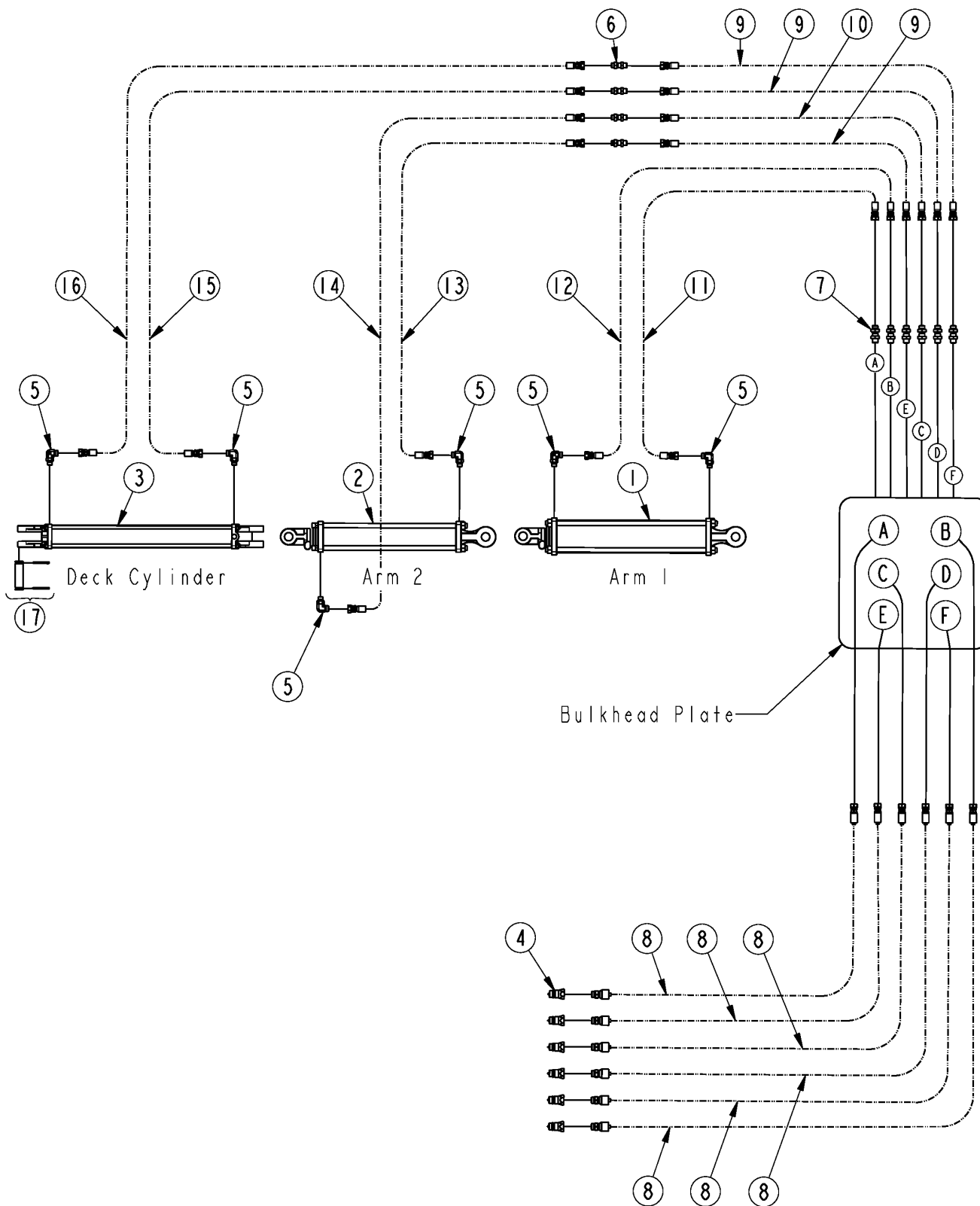
12276

Spindle Hub Assembly (826-110C)**Applies to RCP2760, RCP3760, RCPM2760, RCPM3760**

Ref	Part No.	Part Description	Comments	Revision
	Dwg 12276 826-110C	Drawing Image Number SPINDLE HUB ASSY *		
1.	8.2.2.00555	CO NUT, CASTLE M30 X 2		
2.	0.139.7101.00	CO BLANK WASHER		
3.	0.139.7100.00	CO SEAL RETAINER		
4.	8.7.1.01107	CO SEAL		
5.	8.4.7.00146	CO COTTER PIN B6 X 60		
6.	0.772.3000.00	CO SPLINE SHAFT		
7.	822-214C	BRG CUP/CONE SET 30210		
8.	0.772.1303.00	CO SPINDLE HOUSING		
9.	8.6.5.00006	CO OIL PLUG 3/8		
10.	8.0.9.00143	CO BEARING 30209 RTA25		
11.	0.278.7104.00	CO NUT LOCK M45 X 1.5		
12.	826-110C	SPINDLE HUB ASSY		

Arm & Deck Hydraulic Cylinders & Hoses

Applies to RCP2760, RCP3760, RCPM2760, RCPM3760



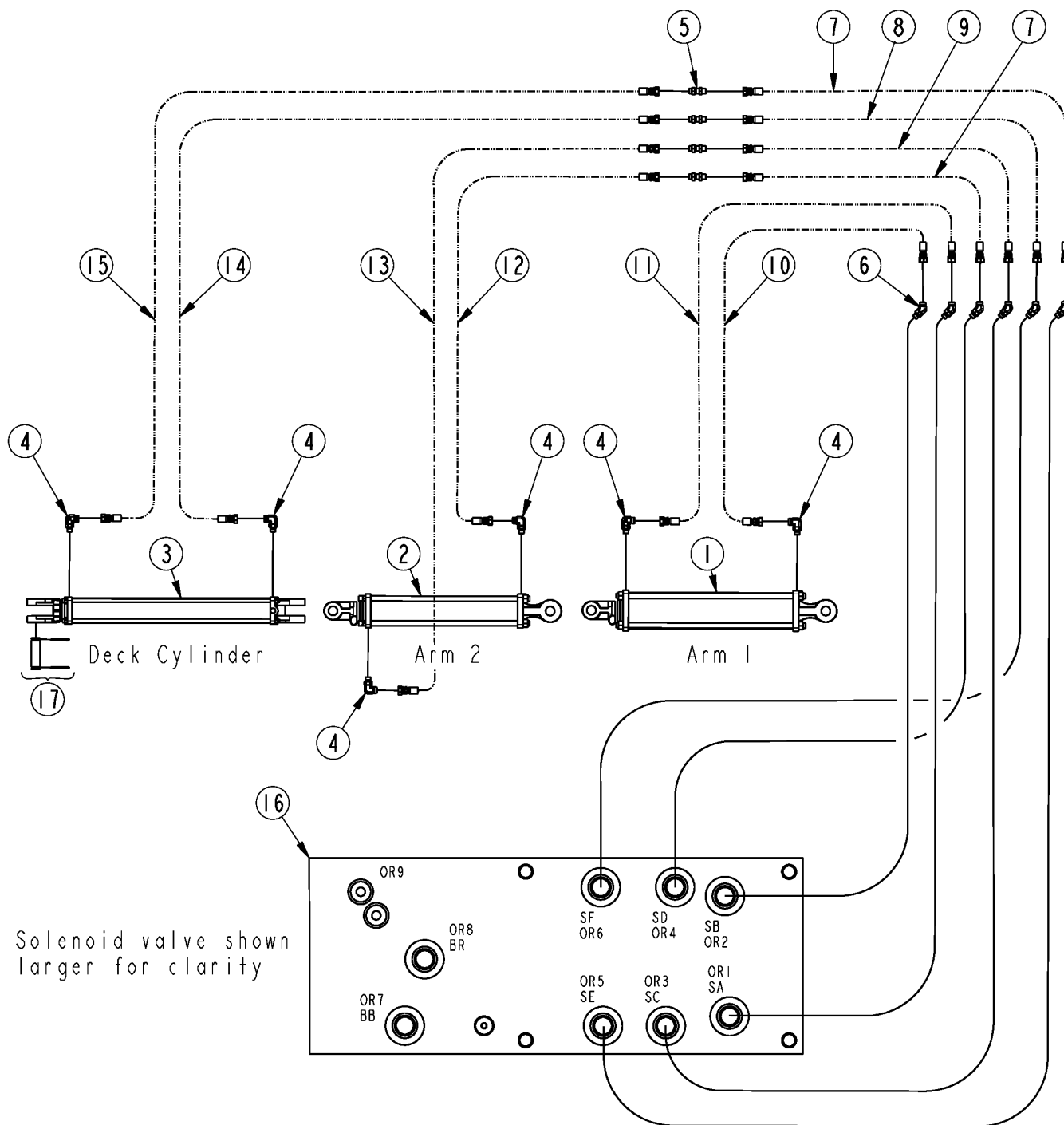
74619

Arm & Deck Hydraulic Cylinders & Hoses**Applies to RCP2760, RCP3760, RCPM2760, RCPM3760**

Ref	Part No.	Part Description	Comments	Revision
	Dwg 74619	Image No.		
1.	810-198C	CYL 3.5X16X1.25 ROD(TIE)NOPINS	RCP(M)2760	
1.	810-576C	HYD CYL 3.5X16X1.50 BSH NOPINS	RCP(M)3760	
2.	810-522C	CYL 3X16X1.25R W/STRKCTRL NOPN	RCP(M)2760	
2.	810-577C	HYD CYL 3X16X1.50 BSH NOPINS	RCP(M)3760	
3.	810-535C	CYL 2.5X20X1.12 ROD(TIE) 1 PIN		
4.	811-394C	CP 3/4FORB MALE QD POPPET TYPE		
5.	861-574C	EL 9/16MORB 11/16ORFS		
6.	861-878C	BLKHD FITTING, -4MORFS		
7.	861-958C	BLKHD FITTING, -6MORFS		
8.	861-959C	HH3/8 60 -6ORFS-8MORB		
9.	861-238C	HH1/4 52 6ORFS-4ORFS		
10.	861-978C	HH1/4 49 6ORFS-4ORFS		
11.	861-979C	HH1/4 50 -6ORFS		
12.	861-239C	HH1/4R 58 -6ORFS	RCP(M)2760	
12.	861-980C	HH1/4 73 -6ORFS	RCP(M)3760	
13.	861-251C	HH1/4 60 6ORFS-4ORFS	RCP(M)2760	
13.	861-243C	HH1/4 84 6ORFS-4ORFS	RCP(M)3760	
14.	861-250C	HH1/4R 70 6ORFS-4ORFS	RCP(M)2760	
14.	861-240C	HH1/4 93 6ORFS-4ORFS	RCP(M)3760	
15.	861-249C	HH1/4R 144 6ORFS-4ORFS	RCP(M)2760	
15.	861-241C	HH1/4 180 6ORFS-4ORFS	RCP(M)3760	
16.	861-248C	HH1/4R 152 6ORFS-4ORFS	RCP(M)2760	
16.	861-242C	HH1/4 188 6ORFS-4ORFS	RCP(M)3760	
17.	235005	MON PIN KIT 1.00C/W COTTER PIN		

Arm & Deck Hydraulic Cylinders & Hoses W/ Solenoid Valve

Applies to RCP2760, RCP3760, RCPM2760, RCPM3760



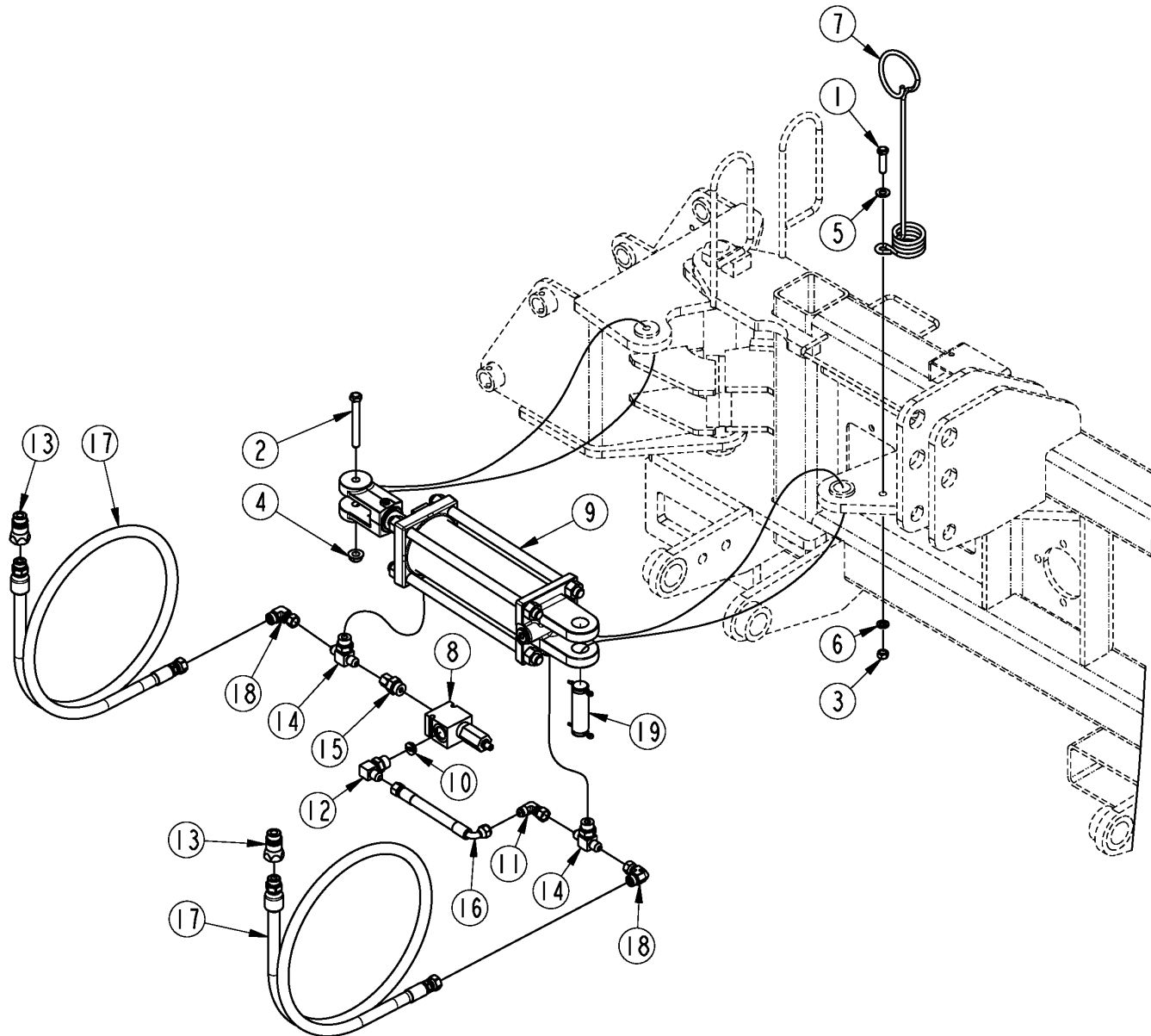
74632

Arm & Deck Hydraulic Cylinders & Hoses W/ Solenoid Valve**Applies to RCP2760, RCP3760, RCPM2760, RCPM3760**

Ref	Part No.	Part Description	Comments	Revision
	Dwg 74632	Image No.		
1.	810-198C	CYL 3.5X16X1.25 ROD(TIE)NOPINS	RCP(M)2760	
1.	810-576C	HYD CYL 3.5X16X1.50 BSH NOPINS	RCP(M)3760	
2.	810-522C	CYL 3X16X1.25R W/STRKCTRL NOPN	RCP(M)2760	
2.	810-577C	HYD CYL 3X16X1.50 BSH NOPINS	RCP(M)3760	
3.	810-535C	CYL 2.5X20X1.12 ROD(TIE) 1 PIN		
4.	861-574C	EL 9/16MORB 11/16ORFS		
5.	861-878C	BLKHD FITTING, -4MORFS		
6.	861-925C	EL 45 6MORB-6ORFS		
7.	861-977C	HH1/4 47 6ORFS-4ORFS		
8.	861-976C	HH1/4 45 6ORFS-4ORFS		
9.	861-978C	HH1/4 49 6ORFS-4ORFS		
10.	861-253C	HH1/4 56 -6ORFS	RCP(M)2760	
10.	861-239C	HH1/4R 58 -6ORFS	RCP(M)3760	
11.	861-252C	HH1/4 60 -6ORFS	RCP(M)2760	
11.	861-903C	HH1/4 78 -6ORFS	RCP(M)3760	
12.	861-251C	HH1/4 60 6ORFS-4ORFS	RCP(M)2760	
12.	861-243C	HH1/4 84 6ORFS-4ORFS	RCP(M)3760	
13.	861-250C	HH1/4R 70 6ORFS-4ORFS	RCP(M)2760	
13.	861-240C	HH1/4 93 6ORFS-4ORFS	RCP(M)3760	
14.	861-249C	HH1/4R 144 6ORFS-4ORFS	RCP(M)2760	
14.	861-241C	HH1/4 180 6ORFS-4ORFS	RCP(M)3760	
15.	861-248C	HH1/4R 152 6ORFS-4ORFS	RCP(M)2760	
15.	861-242C	HH1/4 188 6ORFS-4ORFS	RCP(M)3760	
16.	850-306C	SOLENOID VALVE W/O FLOAT	With out float	
16.	850-307C	SOLENOID MANIFOLD W/FLOAT	With float	
17.	235005	MON PIN KIT 1.00C/W COTTER PIN		

Breakaway Hydraulic Cylinder & Hoses (Tractor Hydraulics)

Applies to RCP2760, RCP3760, RCPM2760, RCPM3760



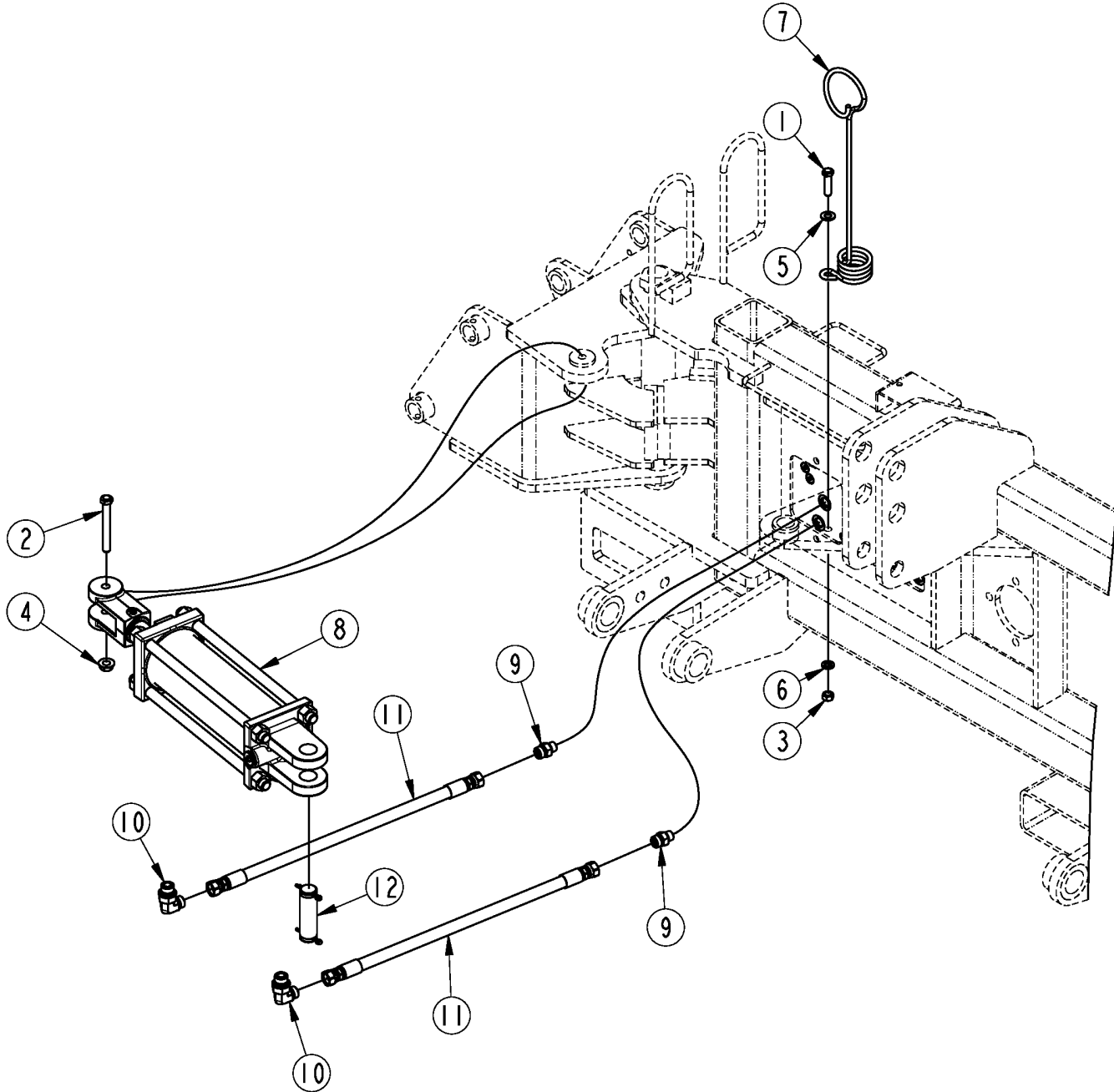
74618

Breakaway Hydraulic Cylinder & Hoses (Tractor Hydraulics)**Applies to RCP2760, RCP3760, RCPM2760, RCPM3760**

Ref	Part No.	Part Description	Comments	Revision
	Dwg 74618	Image No.		
1.	802-022C	HHCS 3/8-16X1 1/2 GR5		
2.	802-885C	HHCS 7/16-14X3 1/2 GR8 PLT		
3.	803-014C	NUT HEX 3/8-16 PLT		
4.	803-229C	NUT HEX FLANGE LOC 7/16-14 PLT		
5.	804-012C	WASHER FLAT 3/8 SAE PLT		
6.	804-013C	WASHER LOCK SPRING 3/8 PLT		
7.	807-023C	SPRING HOSE LOOP		
8.	810-294C	VALVE PRESS. SHUT DOWN 3350PSI		
9.	810-932C	CYL 3.25X8X1.25 TIE ROD BRKWY		
10.	810-933C	ORPL 3/16 3/4MORB		
11.	811-169C	EL 9/16MJIC 9/16FJIC		
12.	811-171C	EL 3/4MORB 9/16MJIC		
13.	811-394C	CP 3/4FORB MALE QD POPPET TYPE		
14.	811-470C	TE 9/16MJIC 3/4MORB 9/16MJIC		
15.	841-204C	AD 9/16FJIC 3/4MORB		
16.	841-970C	HH3/8R2 07 9/16FJIC/FJIC 90		
17.	861-959C	HH3/8 60 -6ORFS-8MORB		
18.	861-981C	EL 6FJIC-6MORFS		
19.	235014	MON PIN KIT		

Breakaway Hydraulic Cylinder & Hoses W/ Solenoid Valve

Applies to RCP2760, RCP3760, RCPM2760, RCPM3760



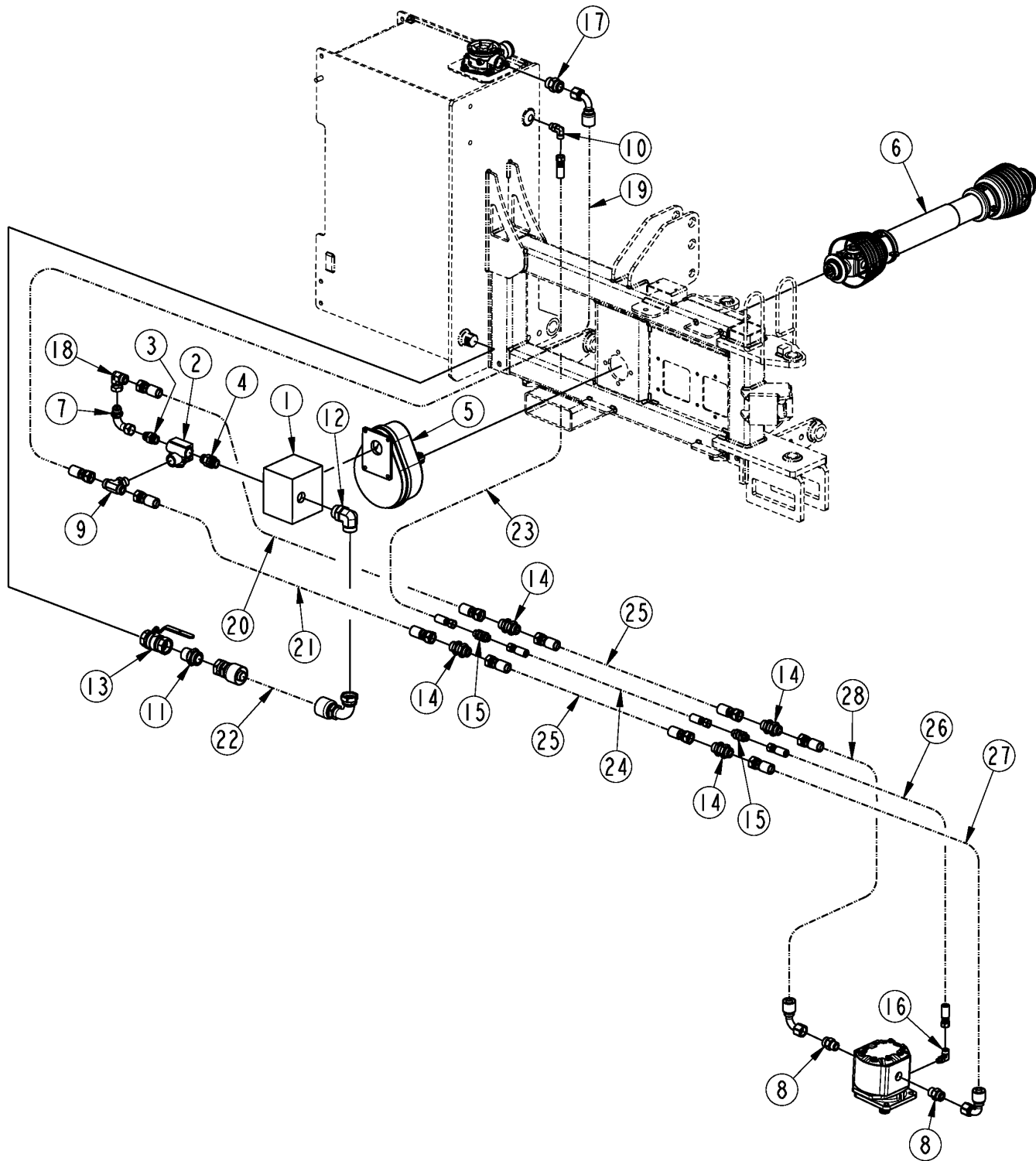
74638

Breakaway Hydraulic Cylinder & Hoses W/ Solenoid Valve**Applies to RCP2760, RCP3760, RCPM2760, RCPM3760**

Ref	Part No.	Part Description	Comments	Revision
	Dwg 74638	Image No.		
1.	802-022C	HHCS 3/8-16X1 1/2 GR5		
2.	802-885C	HHCS 7/16-14X3 1/2 GR8 PLT		
3.	803-014C	NUT HEX 3/8-16 PLT		
4.	803-229C	NUT HEX FLANGE LOC 7/16-14 PLT		
5.	804-012C	WASHER FLAT 3/8 SAE PLT		
6.	804-013C	WASHER LOCK SPRING 3/8 PLT		
7.	807-023C	SPRING HOSE LOOP		
8.	810-932C	CYL 3.25X8X1.25 TIE ROD BRKWY		
9.	861-763C	AD 9/16MORB 11/16ORFS		
10.	861-876C	EL -6MORFS -8MORB		
11.	861-895C	HH3/8 18.50 -6ORFS		
12.	235014	MON PIN KIT		

Frame Hydraulics

Applies to RCP2760, RCP3760, RCPM2760, RCPM3760



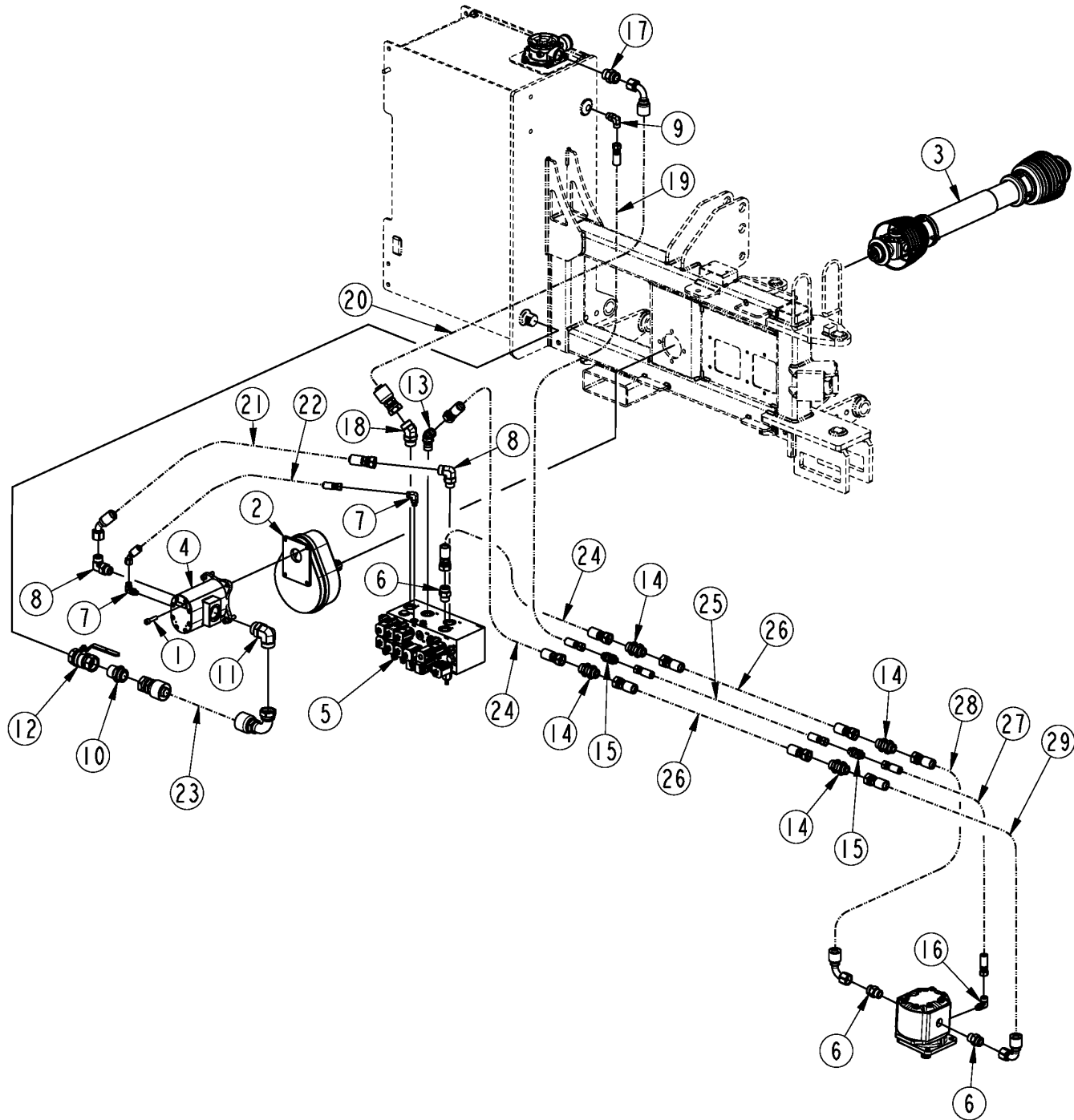
74639

Frame Hydraulics**Applies to RCP2760, RCP3760, RCPM2760, RCPM3760**

Ref	Part No.	Part Description	Comments	Revision
	Dwg 74639	Image No.		
1.	810-208C	HYD PUMP ULTRA #2PR029C4599W		
2.	810-212C	3250 PRESSURE RELIEF VALVE		
3.	811-408C	AD 1 1/16MORB 1 1/16MJIC		
4.	811-410C	AD 1 1/16MORB 1 1/16MORB		
5.	826-108C	GEARBOX FR3 1:3.7 SPEED UP	RCP2760 & RCP3760	
5.	826-138C	GEARBOX FR3 1:2 SPEEDUP	RCPM2760 & RCPM3760	
6.	826-373C	DRVLN C3 23 1.38-6 QD	RCP2760 & RCP3760	
6.	826-877C	DRVLN C2 22 1.38-21 QD	RCPM2760 & RCPM3760	
7.	841-438C	EL 1 1/16MJIC 1 1/16 FJIC SWPT		
8.	861-571C	AD 1.06MORB 1.18ORFS		
9.	861-758C	TEE 1 1/16MORB 1 3/16MORFS		
10.	861-764C	EL 3/4MORB 13/16MORFS		
11.	861-826C	AD -20MNPT-20ORFS		
12.	861-916C	EL 16MORB-20ORFS		
13.	861-874C	BALL VALVE -20 FNPT		
14.	861-879C	BLKHD FITTING, -12MORFS		
15.	861-880C	BLKHD FITTING, -8MORFS		
16.	861-881C	EL -6MORB -8MORFS		
17.	861-850C	AD 16MORB-12MORFS		
18.	861-961C	EL -12FJIC-12MORFS		
19.	861-971C	HH3/4 46 12ORFS-12ORFS90		
20.	861-236C	HH3/4 58 -12ORFS		
21.	861-972C	HH3/4 57 -12ORFS		
22.	861-882C	HH1.25 20.5 -20ORFS		
23.	861-906C	HH1/2 108 -8ORFS		
24.	861-256C	HH1/2 116 -8ORFS	RCP(M)2760	
24.	861-233C	HH1/2 152 -8ORFS	RCP(M)3760	
25.	861-255C	HH3/4 114 -12ORFS	RCP(M)2760	
25.	861-230C	HH3/4 150 -12ORFS	RCP(M)3760	
26.	861-227C	HH1/2 27 -8ORFS		
27.	861-114C	HH3/4 38 12ORFS-12ORFS90		
28.	861-115C	HH3/4 22.5 12ORFS-12ORFS90		

Frame Hydraulics W/ Solenoid Valve

Applies to RCP2760, RCP3760, RCPM2760, RCPM3760



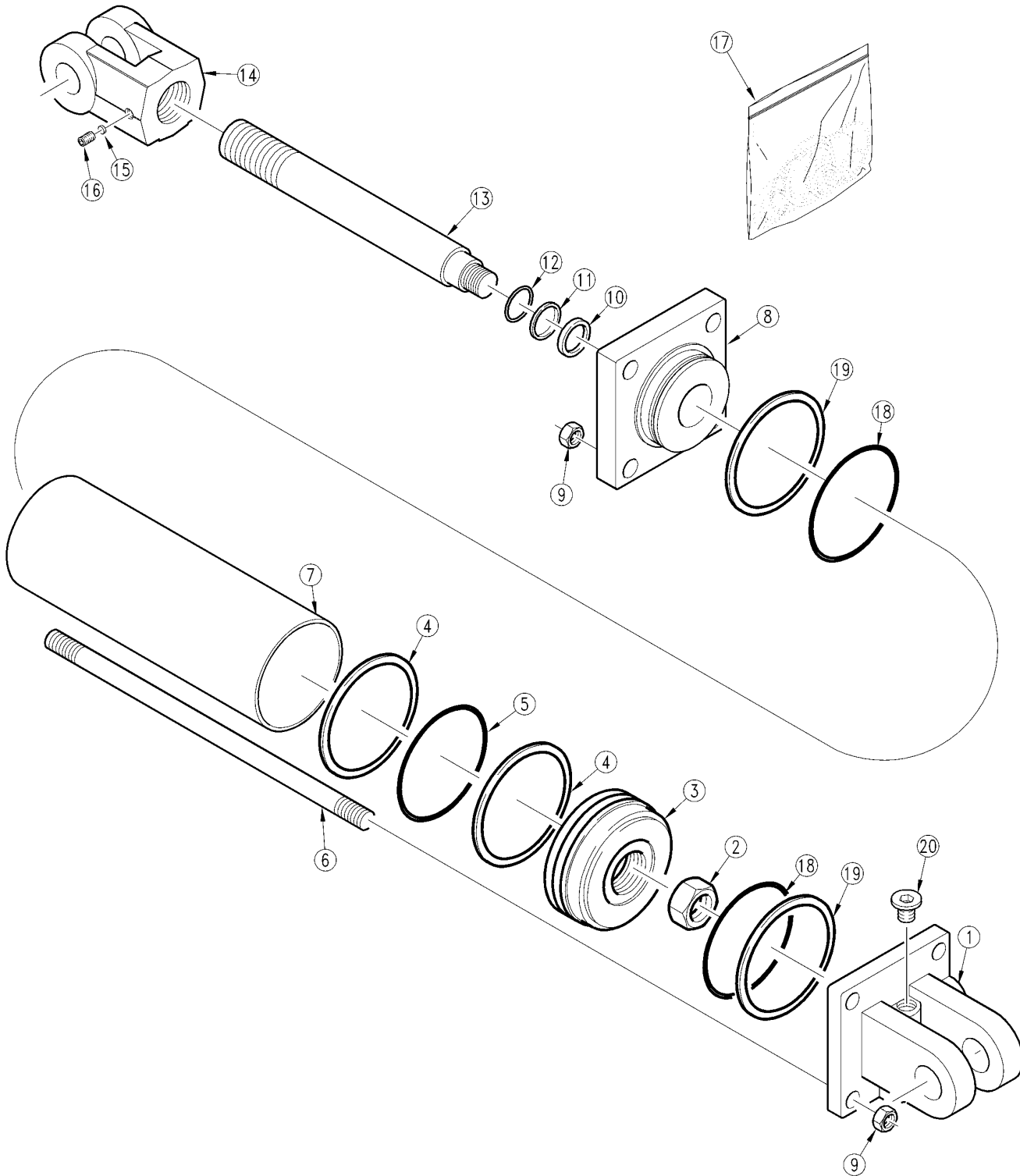
74649

Frame Hydraulics W/ Solenoid Valve**Applies to RCP2760, RCP3760, RCPM2760, RCPM3760**

Ref	Part No.	Part Description	Comments	Revision
	Dwg 74649	Image No.		
1.	802-540C	HSHCS M10X1.5X40 GR8.8		
2.	826-108C	GEARBOX FR3 1:3.7 SPEED UP	RCP2760 & RCP3760	
2.	826-138C	GEARBOX FR3 1:2 SPEEDUP	RCPM2760 & RCPM3760	
3.	826-373C	DRVLN C3 23 1.38-6 QD	RCP2760 & RCP3760	
3.	826-877C	DRVLN C2 22 1.38-21 QD	RCPM2760 & RCPM3760	
4.	831-133C	PUMP STACK W/INTERNAL RELIEF		
5.	850-306C	SOLENOID VALVE W/O FLOAT	Without float	
5.	850-307C	SOLENOID MANIFOLD W/FLOAT	With float	
6.	861-571C	AD 1.06MORB 1.18ORFS		
7.	861-574C	EL 9/16MORB 11/16ORFS		
8.	861-586C	EL 1 1/16MORB 1 3/16MORFS		
9.	861-764C	EL 3/4MORB 13/16MORFS		
10.	861-826C	AD -20MNPT-20ORFS		
11.	861-873C	EL -20 MORFS-MSAE		
12.	861-874C	BALL VALVE -20 FNPT		
13.	861-875C	EL 45 -12 MORB-MORFS		
14.	861-879C	BLKHD FITTING, -12MORFS		
15.	861-880C	BLKHD FITTING, -8MORFS		
16.	861-881C	EL -6MORB -8MORFS		
17.	861-885C	AD 16MORB 16MORFS		
18.	861-894C	EL 45 16MORB-MORFS		
19.	861-906C	HH1/2 108 -8ORFS		
20.	861-896C	HH1" 46.50 -16ORFS		
21.	861-884C	HH3/4 20.25 -12ORFS		
22.	861-883C	HH3/8 16.50 -6ORFS		
23.	861-882C	HH1.25 20.5 -20ORFS		
24.	861-904C	HH3/4 50.50 -12ORFS		
25.	861-256C	HH1/2 116 -8ORFS	RCP(M)2760	
25.	861-233C	HH1/2 152 -8ORFS	RCP(M)3760	
26.	861-255C	HH3/4 114 -12ORFS	RCP(M)2760	
26.	861-230C	HH3/4 150 -12ORFS	RCP(M)3760	
27.	861-227C	HH1/2 27 -8ORFS		
28.	861-115C	HH3/4 22.5 12ORFS-12ORFS90		
29.	861-114C	HH3/4 38 12ORFS-12ORFS90		

Hydraulic Cylinder (810-198C) Red Lion

Applies to RCP2760, RCPM2760



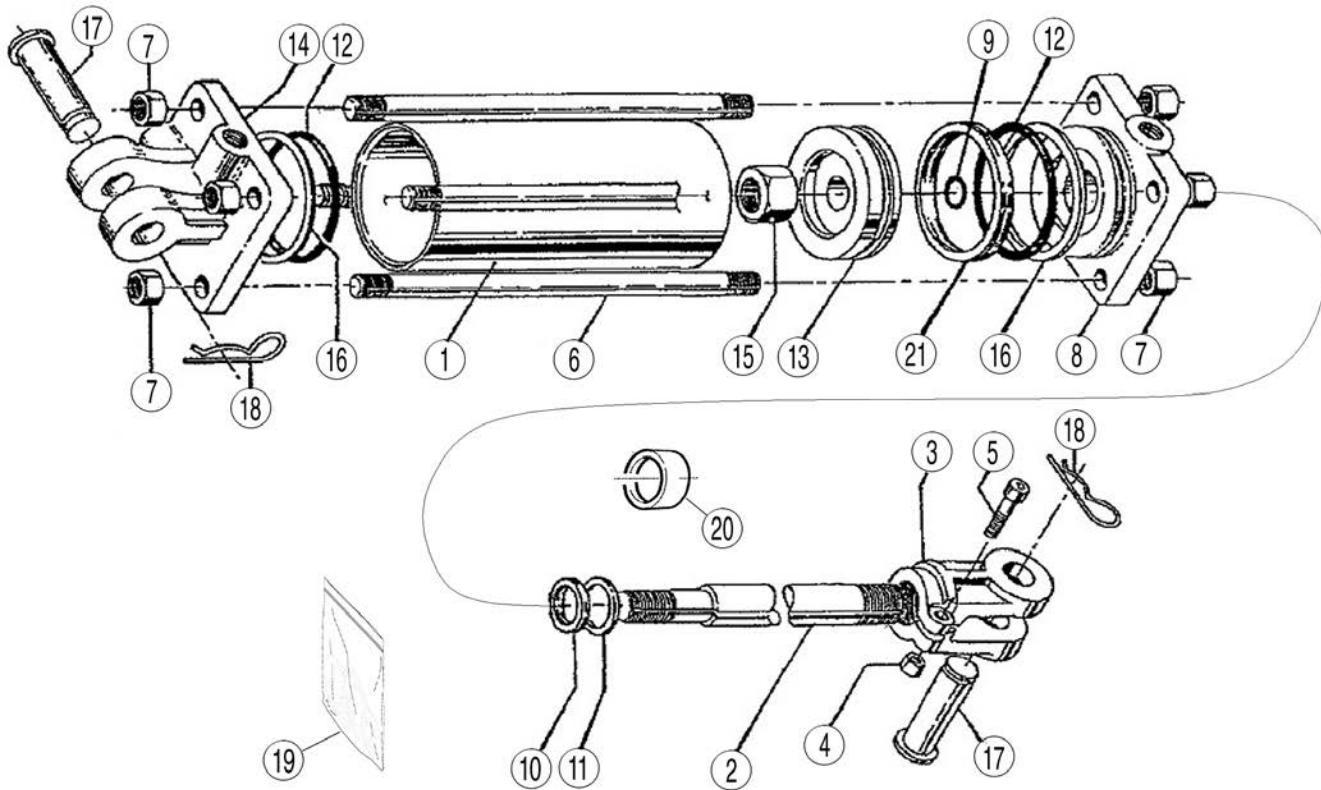
14283

Hydraulic Cylinder (810-198C) Red Lion**Applies to RCP2760, RCPM2760**

Ref	Part No.	Part Description	Comments	Revision
	Dwg 14283 810-198C	Drawing Image Number CYL 3.5X16X1.25 ROD(TIE)NOPINS *		
1.	492833	LION CLEVIS CAP 3.5-16 ORB		
2.	129110	LION NUT HEX 1-14UNS GR5 PHOSP		
3.	258827	MON PISTN 3.50-1.00-TSS-ISO-WR		
4.		LION SEAL	Only found in seal kit	
5.		LION O-RING SEAL	Only found in seal kit	
6.	492346	LION TIE ROD 5/8 X 16		
7.	491806	LION CYL. TUBE 3.5 X 16		
8.	494404	MON ROD CAP3.5-1.25-9/16ORB-TS		
9.	803-022C	NUT HEX 5/8-18 PLT		
10.		LION O-RING SEAL	Only found in seal kit	
11.		LION SEAL	Only found in seal kit	
12.		LION SEAL	Only found in seal kit	
13.	492873	LION ROD 1.25 X 16		
14.	492652	LION ROD CLEVIS 1 1/4 (1"PIN)		
15.	498006	LION THREAD LOCK-NYLON		
16.	801-023C	SCREW SET SH 3/8-16X3/8 TYPE C		
17.	810-885C	MON SEAL KIT 620279		
18.		LION O-RING SEAL	Only found in seal kit	
19.		LION B.U. WASHER 073-236	Only found in seal kit	
20.	186561	LION PLUG 9/16-18UNF SOCKET HD		

Hydraulic Cylinder (810-522C) Midway

Applies to RCP2760, RCPM2760



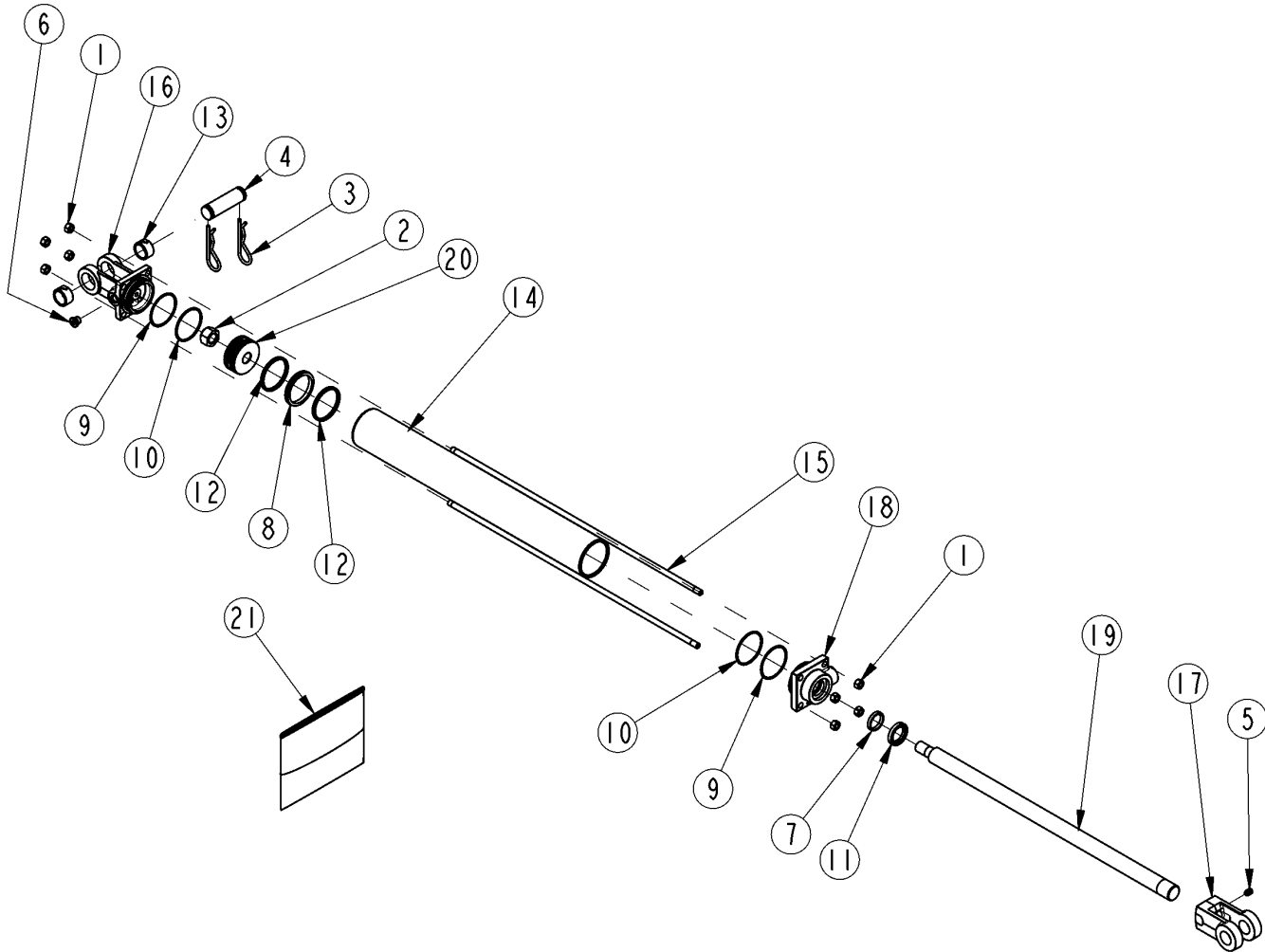
72927

Hydraulic Cylinder (810-522C) Midway**Applies to RCP2760, RCPM2760**

Ref	Part No.	Part Description	Comments	Revision
	Dwg 72927 810-522C	CYL 3X16X1.25R W/STRKCTRL NOPN *		
1.	5M4124	MW TUBE 3 X 16 CYLINDER		
2.	2M4422	MW ROD 1-1/4 DIA. X 16 STROKE		
3.	1M7021-ADI	MW ROD CLEVIS 1.00PN 1.5-12THD		
4.	803-234C	NUT HEX 3/8-16 PLAIN		
5.	802-023C	HHCS 3/8-16X1 3/4 GR5		
6.	7M4324	MW TIE ROD 3 X 16 CYLINDER		
7.	2A0014	MW TIE ROD NUT		
8.	3R1410	MW HEAD		
9.	N/A	MW PISTON NUT SEAL	Only found in seal kit item 19	
10.	N/A	U-CUP	Only found in seal kit item 19	
11.	N/A	MW WIPER	Only found in seal kit item 19	
12.	N/A	O-RING MIDWAY	Only found in seal kit item 19	
13.	4M4108	MW PISTON		
14.	6R1146-ADI	MIDWAY ADI BASE		
15.	2A0024	MW PISTON NUT 1-14		
16.	N/A	BACK-UP MIDWAY	Only found in seal kit item 19	
17.	805-124C	PIN CLVS 1.0X3.69 USBL GR5		
18.	2A0132	MW PIN CLIP		
19.	810-015C	CYL SEAL KIT MW (5A4104) 3 X 7		
20.	2A0310	MIDWAY STOP SLEEVE		
21.	N/A	CROWN SEAL MIDWAY	Only found in seal kit item 19	

Hydraulic Cylinder (810-535C) Red Lion

Applies to RCP2760, RCP3760, RCPM2760, RCPM3760



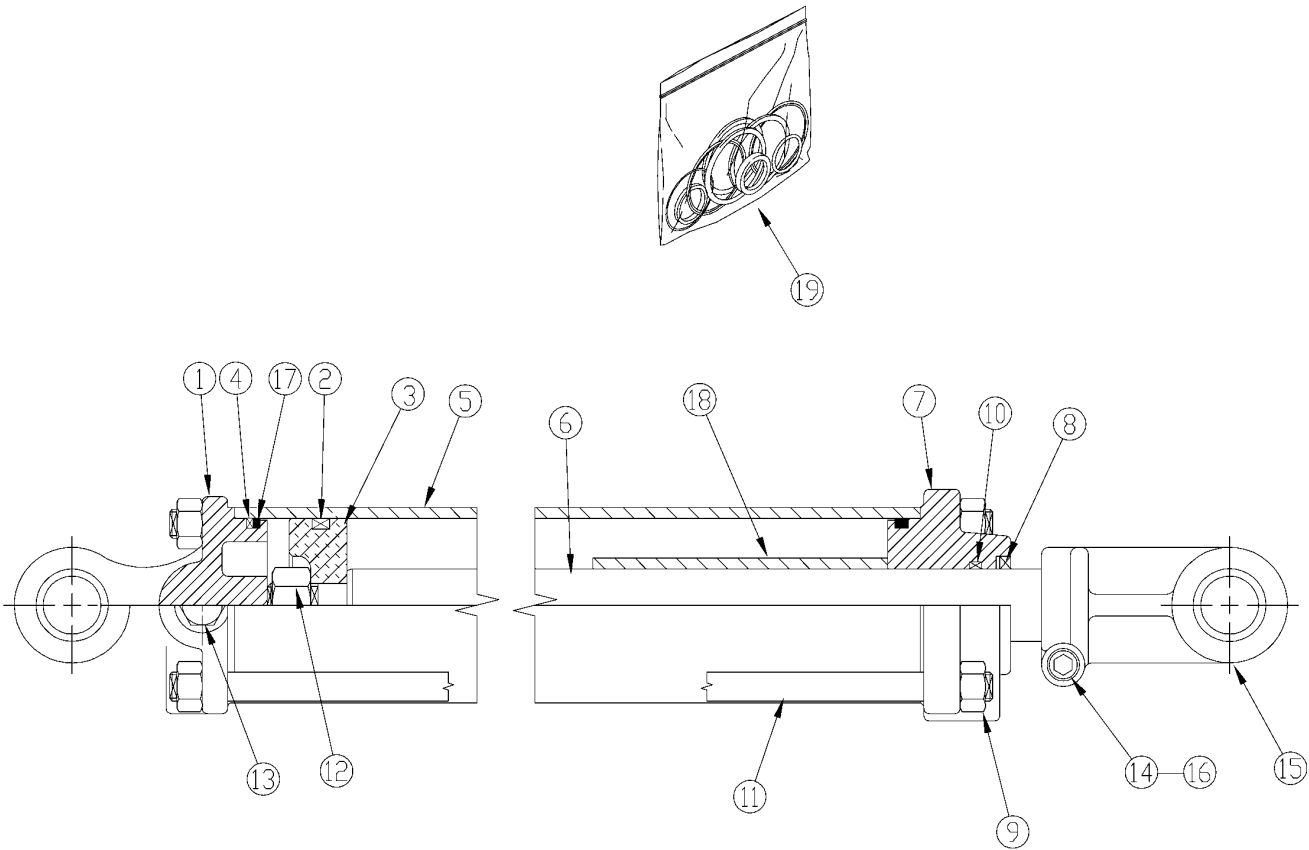
25904

Hydraulic Cylinder (810-535C) Red Lion**Applies to RCP2760, RCP3760, RCPM2760, RCPM3760**

Ref	Part No.	Part Description	Comments	Revision
	dwg25904	Drawing Image Number		
	810-535C	CYL 2.5X20X1.12 ROD(TIE) *		
1.	803-014C	NUT HEX 3/8-16 PLT		
2.	130556	MON PISTON NUT		
3.	134950	MON R-CLIP RETAINERS		
4.	134953	LION PIN		
5.	801-023C	SCREW SET SH 3/8-16X3/8 TYPE C		
6.	186561	PLUG 9/16-18UNF MORB SOCKET HD		
7.	N/A	MON ROD SEAL	Only Found in Kit #21	
8.	N/A	MON PISTON SEAL	Only Found in Kit #21	
9.	N/A	MON END CAP BACKUP WASHERS	Only Found in Kit #21	
10.	N/A	MON END CAP O-RING	Only Found in Kit #21	
11.	N/A	LION WIPER SEAL	Only Found in Kit #21	
12.	N/A	MON PISTON WEAR RING	Only Found in Kit #21	
13.	199990	MON HARDEN BUSHING		
14.	491680	LION CYL. TUBE 2.5X20 H6080		
15.	492230	LION TIE ROD 3/8X20 H6630 RIO		
16.	492371	LION CLEVIS CAP 2.5		
17.	492650	LION ROD CLEVIS 1 1/8-12UNF		
18.	494391	MON ROD CP2.50-1.12-9/16ORB-TS		
19.	492857	MON CYL ROD		
20.	258818	MON PISTON2.50-.750-TSS-ISO-WR		
21.	810-886C	MON SEAL KIT 661701		

Hydraulic Cylinder (810-576C) Cross 3000 PSI

Applies to RCP3760, RCPM3760



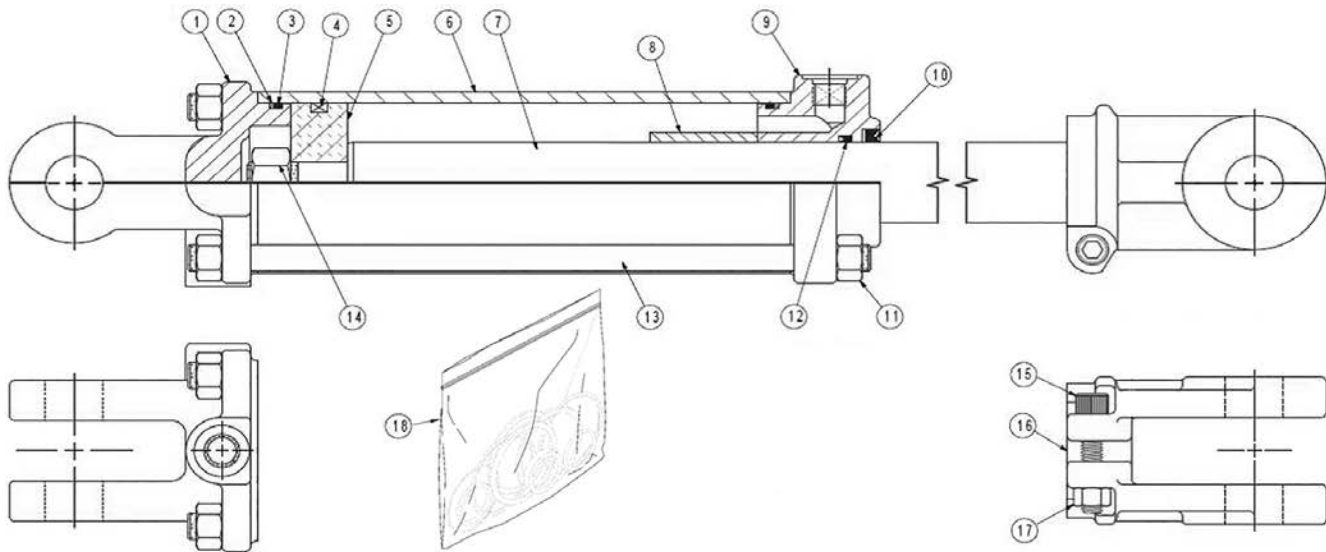
24874

Hydraulic Cylinder (810-576C) Cross 3000 PSI**Applies to RCP3760, RCPM3760**

Ref	Part No.	Part Description	Comments	Revision
	Dwg 24874 810-576C	Drawing Image Number HYD CYL 3.5X16X1.50 BSH NOPINS *	3,000 PSI	
1.	C7918E-1	CROSS BASE CLEVIS ASSY		
2.	N/A	CROWN SEAL	Only found in seal kit 19	
3.	4C4368	CROSS PISTON		
4.	N/A	CROSS BACKUP	Only found in seal kit 19	
5.	1D0009-3588	CROSS TUBE		
6.	C7918E-2	CROSS ROD		
7.	4C5811	CROSS HEAD		
8.	N/A	CROSS, WIPER	Only found in seal kit 19	
9.	2A0236-9	TIE ROD NUT CROSS		
10.	N/A	CROSS, U-CUP	Only found in seal kit 19	
11.	2A0581-3875	CROSS TIE ROD		
12.	2A0246-16	NUT CROSS		
13.	2A0354-109	CROSS, PLUG ASSY		
14.	2A0079-616	CROSS SCREW, CAP		
15.	3C4549	CROSS ROD CLEVIS		
16.	2A0235-6	CROSS NUT, CLEVIS & TIE ROD		
17.	N/A	CROSS O-RING	Only found in seal kit 19	
18.	4C5629	CROSS SPACER		
19.	850-355C	CROSS SEAL KIT	Square Cut Seals	

Hydraulic Cylinder (810-577C) Cross 3000 PSI

Applies to RCP3760, RCPM3760



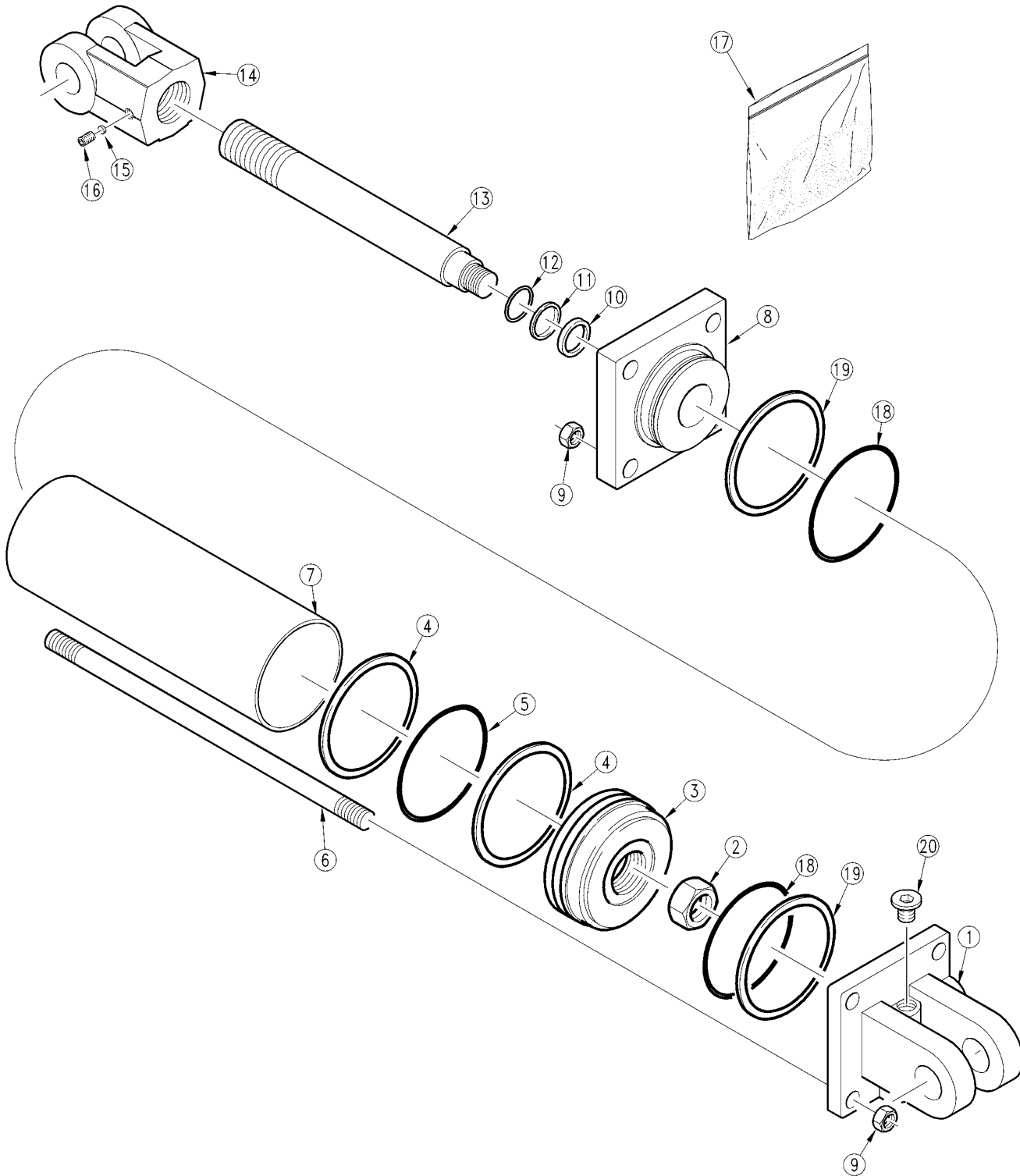
72950

Hydraulic Cylinder (810-577C) Cross 3000 PSI**Applies to RCP3760, RCPM3760**

Ref	Part No.	Part Description	Comments	Revision
	Dwg 72950 810-577C	Image No. 72950 HYD CYL 3X16X1.50 BSH NOPINS *	3,000 PSI	
1.	4C7386	CROSS BASE CLEVIS		
2.	N/A	CROSS BACKUP	Only found in seal kit item 20	
3.	N/A	CROSS O-RING	Only found in seal kit item 20	
4.	N/A	CROSS CROWN SEAL	Only found in seal kit item 20	
5.	4C4360	CROSS PISTON		
6.	1D0007-2312	CROSS TUBE		
7.	4C7385	CROSS ROD		
8.	4C5627	CROSS SPACER		
9.	4C5810	CROSS HEAD		
10.	N/A	CROSS, WIPER	Only found in seal kit item 20	
11.	2A0235-8	CROSS NUT, TIE ROD		
12.	N/A	CROSS, U-CUP	Only found in seal kit item 20	
13.	2A0580-2575	CROSS TIE ROD		
14.	2A0246-12	CROSS NUT, PISTON		
15.	2A0079-616	CROSS SCREW, CAP		
16.	1D1013-5	CROSS ROD CLEVIS		
17.	2A0235-6	CROSS NUT, CLEVIS & TIE ROD		
18.	850-354C	CROSS SEAL KIT	Square Cut Seals	

Hydraulic Cylinder (810-932C) Monarch

Applies to RCP2760, RCP3760, RCPM2760, RCPM3760



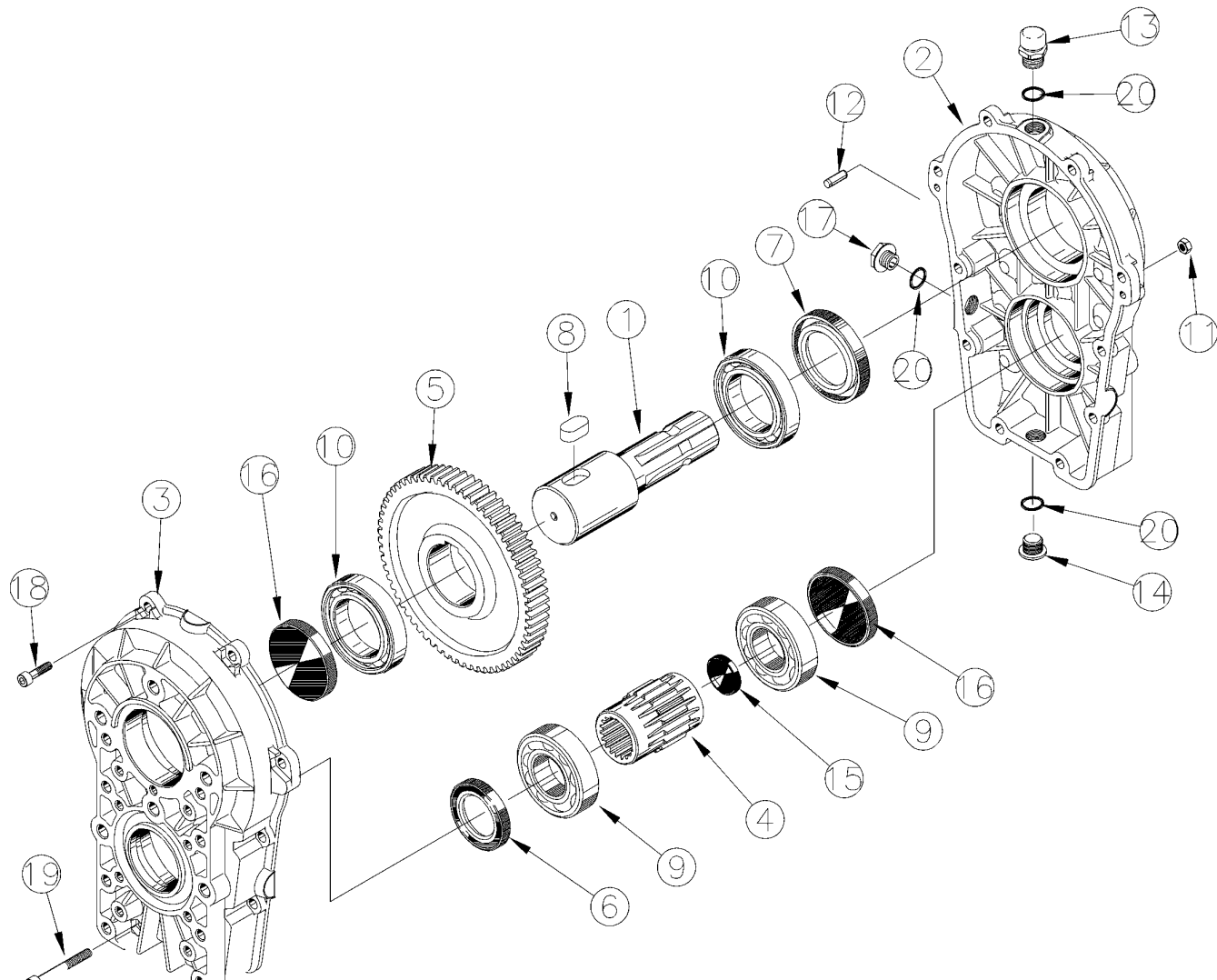
14283

Hydraulic Cylinder (810-932C) Monarch**Applies to RCP2760, RCP3760, RCPM2760, RCPM3760**

Ref	Part No.	Part Description	Comments	Revision
	Dwg 14283 810-198C	Drawing Image Number CYL 3.5X16X1.25 ROD(TIE)NOPINS *		
1.	492833	LION CLEVIS CAP 3.5-16 ORB		
2.	129110	LION NUT HEX 1-14UNS GR5 PHOSP		
3.	258827	MON PISTN 3.50-1.00-TSS-ISO-WR		
4.		LION SEAL	Only found in seal kit	
5.		LION O-RING SEAL	Only found in seal kit	
6.	492346	LION TIE ROD 5/8 X 16		
7.	491806	LION CYL. TUBE 3.5 X 16		
8.	494404	MON ROD CAP3.5-1.25-9/16ORB-TS		
9.	803-022C	NUT HEX 5/8-18 PLT		
10.		LION O-RING SEAL	Only found in seal kit	
11.		LION SEAL	Only found in seal kit	
12.		LION SEAL	Only found in seal kit	
13.	492873	LION ROD 1.25 X 16		
14.	492652	LION ROD CLEVIS 1 1/4 (1"PIN)		
15.	498006	LION THREAD LOCK-NYLON		
16.	801-023C	SCREW SET SH 3/8-16X3/8 TYPE C		
17.	810-885C	MON SEAL KIT 620279		
18.		LION O-RING SEAL	Only found in seal kit	
19.		LION B.U. WASHER 073-236	Only found in seal kit	
20.	186561	LION PLUG 9/16-18UNF SOCKET HD		

Hydraulic Gear Increaser 1000 RPM (826-138C) Bondioli

Applies to RCPM2760, RCPM3760



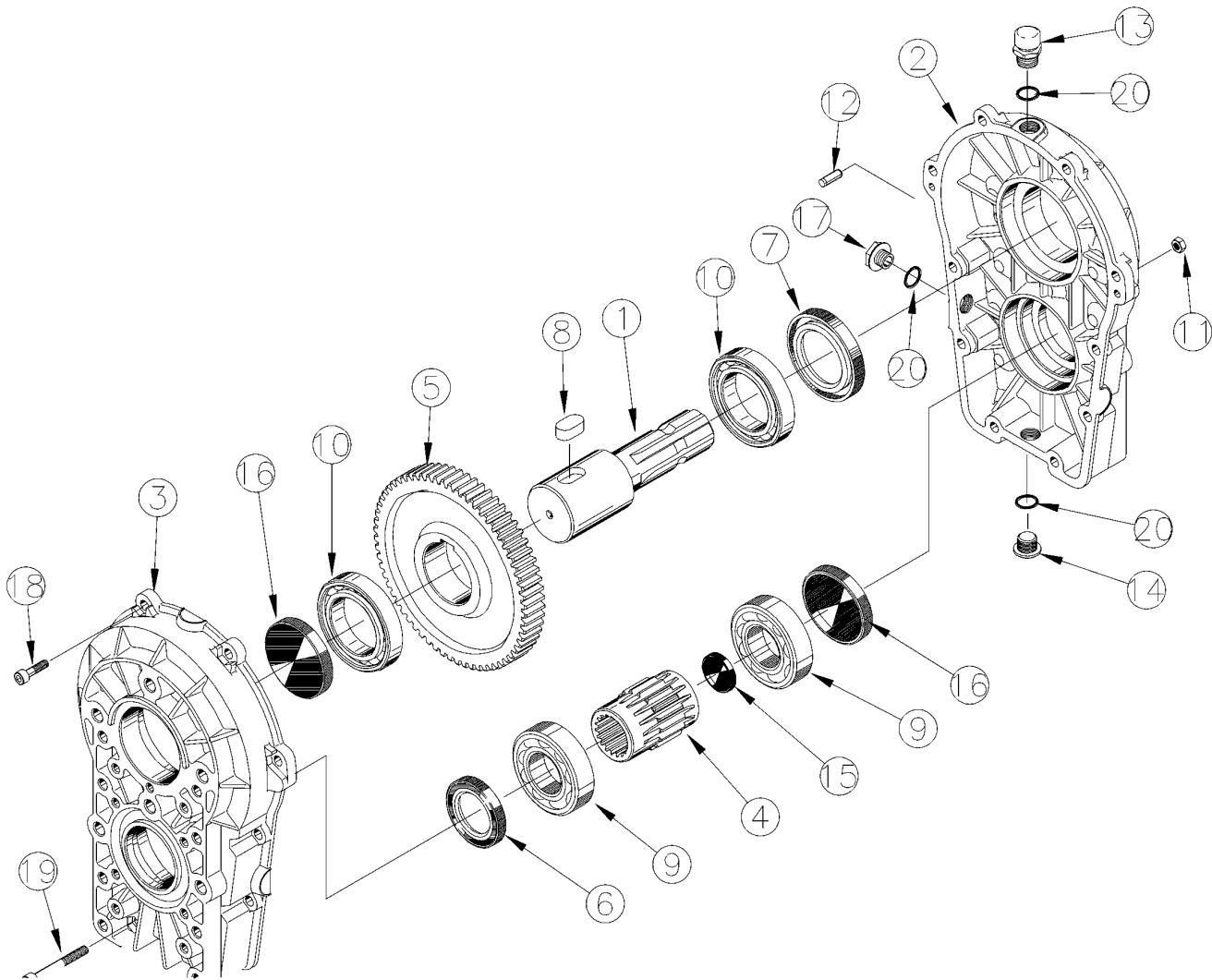
35077

Hydraulic Gear Increaser 1000 RPM (826-138C) Bondioli**Applies to RCPM2760, RCPM3760**

Ref	Part No.	Part Description	Comments	Revision
	Dwg 35077 826-138C	Drawing Image Number GEARBOX FR3 1:2 SPEEDUP *		
1.	2072.003.542	BONDI SHAFT		
2.	2073.001.109	BONDI HOUSING		
3.	2073.002.109	BONDI HOUSING		
4.	2073.010.542	BONDI SHAFT		
5.	2073.009.426	BONDI GEAR		
6.	8050.505.000	BONDI OIL SEAL 45X62X7		
7.	8050.576.000	BONDI OIL SEAL 50X62X7		
8.	8125.418.001	BONDI KEY14X9X30		
9.	9110.345.000	CO BALL BRG 6009 45X75X16		
10.	8200.308.000	BONDI BEARING 6010		
11.	8225.248.000	BONDI NUT M8 UNI 5588		
12.	8575.267.000	BONDI PIN, 6X10 UNI 1707		
13.	8600.142.000	BONDI OIL PLUG		
14.	8600.149.000	BONDI OIL PLUG		
15.	8600.390.000	BONDI CUP RCA 35		
16.	8600.670.000	BONDI CAP RCA 62		
17.	8625.140.000	BONDI 3/8 OIL PLUG		
18.	8675.188.100	BONDI SCREW M8X25 UNI 5931		
19.	8675.201.100	BONDI SCREW M8X65 UNI 5931		
20.	8075.200.000	BONDI OIL SEAL 19X13X3		

Hydraulic Gear Increaser 540 RPM (826-108C) Bondioli

Applies to RCP2760, RCP3760



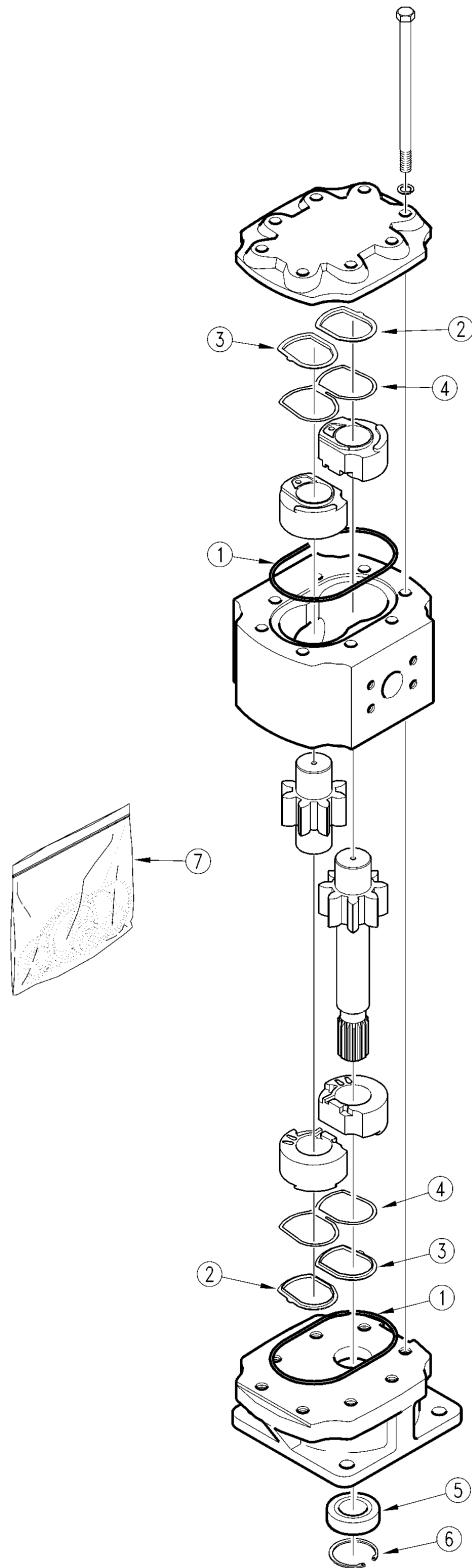
35078

Hydraulic Gear Increaser 540 RPM (826-108C) Bondioli**Applies to RCP2760, RCP3760**

Ref	Part No.	Part Description	Comments	Revision
	Dwg 35078 826-108C	Drawing Image Number GEARBOX FR3 1:3.7 SPEED UP *		
1.	2072.003.542	BONDI SHAFT		
2.	2073.001.109	BONDI HOUSING		
3.	2073.002.109	BONDI HOUSING		
4.	2073.010.542	BONDI SHAFT		
5.	2073.004.426	BONDI GEAR		
6.	8050.505.000	BONDI OIL SEAL 45X62X7		
7.	8050.576.000	BONDI OIL SEAL 50X62X7		
8.	8125.418.001	BONDI KEY14X9X30		
9.	9110.345.000	CO BALL BRG 6009 45X75X16		
10.	8200.308.000	BONDI BEARING 6010		
11.	8225.248.000	BONDI NUT M8 UNI 5588		
12.	8575.267.000	BONDI PIN, 6X10 UNI 1707		
13.	8600.142.000	BONDI OIL PLUG		
14.	8600.149.000	BONDI OIL PLUG		
15.	8600.390.000	BONDI CUP RCA 35		
16.	8600.670.000	BONDI CAP RCA 62		
17.	8625.140.000	BONDI 3/8 OIL PLUG		
18.	8675.188.100	BONDI SCREW M8X25 UNI 5931		
19.	8675.201.100	BONDI SCREW M8X65 UNI 5931		
20.	8075.200.000	BONDI OIL SEAL 19X13X3		

Hydraulic Motor (810-314C) Ultra

Applies to RCP2760, RCP3760, RCPM2760, RCPM3760



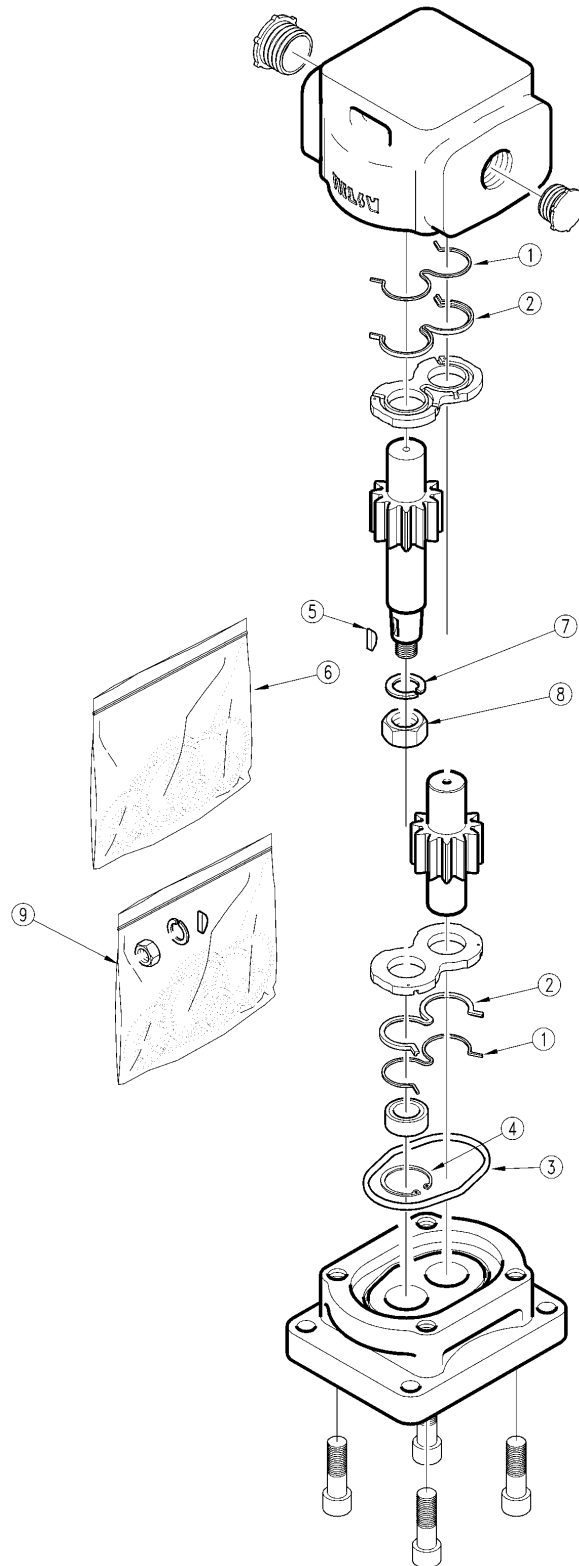
13250

Hydraulic Motor (810-314C) Ultra**Applies to RCP2760, RCP3760, RCPM2760, RCPM3760**

Ref	Part No.	Part Description	Comments	Revision
	Dwg 13250	Drawing Image Number		
	810-314C	HYD MOTOR ULTRA #3ML180A5792		
1.		BODY O-RING	Not sold separately	
2.		BACK-UP RING	Not sold separately	
3.		BACK-UP SEAL	Not sold separately	
4.		LOBE SEAL	Not sold separately	
5.		SHAFT SEAL	Not sold separately	
5.	471413	FED. MOGUL SEAL 1.25X1.756X.25	Alternate replacement seal	
6.		CIRCLE CLIP	Not sold separately	
7.	7113-023-0N0	ULTRA MOTOR SEAL KIT	Includes one of items 5 & 6 and two of items 1 through 4	

Hydraulic Pump (810-208C) Ultra

Applies to RCP2760, RCP3760, RCPM2760, RCPM3760



13249

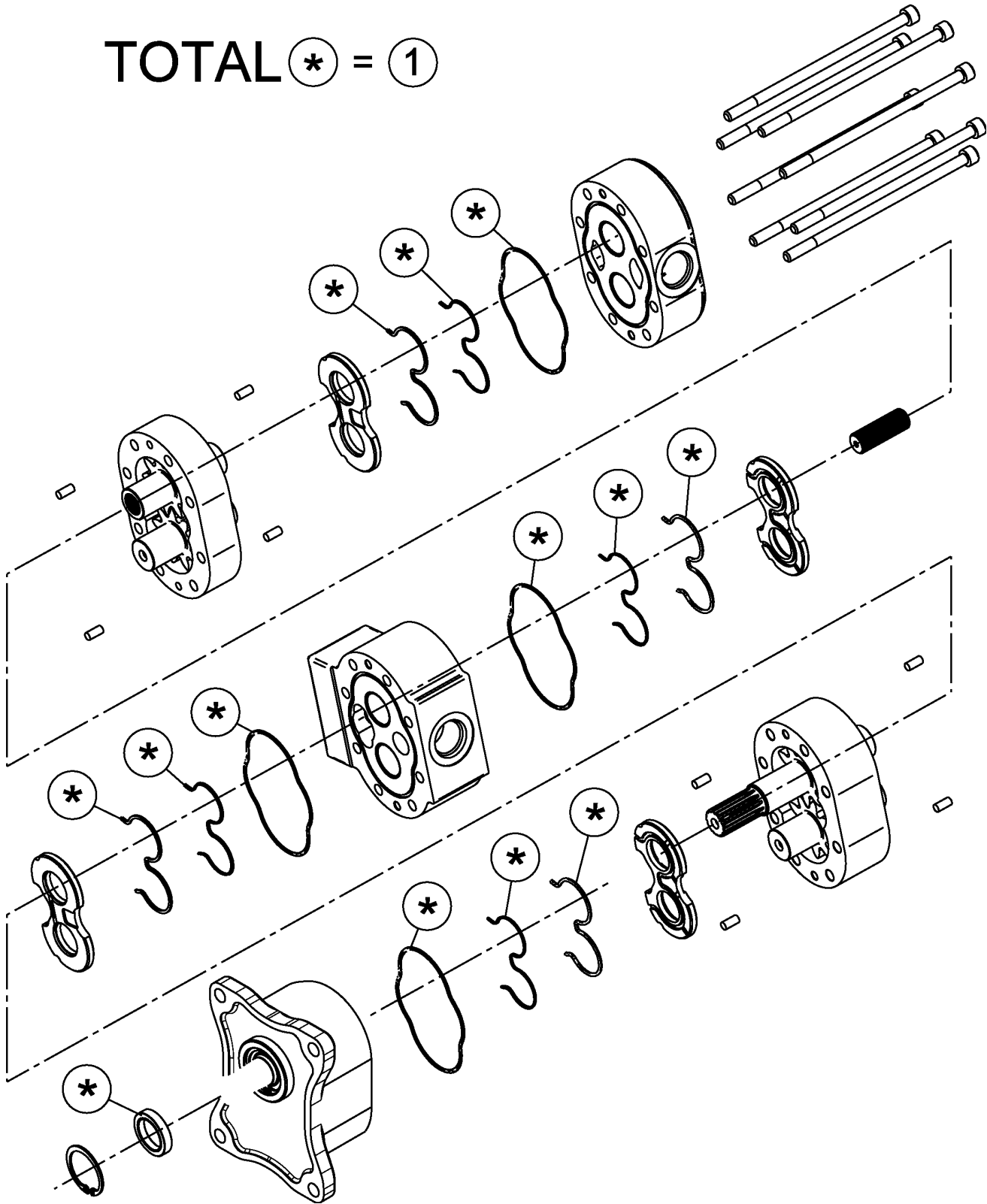
Hydraulic Pump (810-208C) Ultra**Applies to RCP2760, RCP3760, RCPM2760, RCPM3760**

Ref	Part No.	Part Description	Comments	Revision
	Dwg 13249 810-208C	Drawing Image Number HYD PUMP ULTRA #2PR029C4599W *		
1.		SEAL ENERGIZER	Not Sold Separately	
2.		SEAL ELEMENT	Not Sold Separately	
3.		BODY O-RING	Not Sold Separately	
4.		CIRCLE CLIP	Not Sold Separately	
5.		WOODRUFF KEY	Not Sold Separately	
6.	8682-023-00N	ULTRA PUMP SEAL KIT	Includes one of items 3, 4 & 5 and two of items 1 & 2	
7.	9222-361-00D	WASHER LOCK M14 (DIN 127B) PLT		
8.	9116-003-00D	NUT JAM M14X1.5 DIN 936 PLT		
9.	8682-023-T4N	ULTRA PUMP SEAL KIT,KEY,LN, LW	Includes 1 ea. 5,6,7 & 8	

Hydraulic Pump (831-133C) Parker

Applies to RCP2760, RCP3760, RCPM2760, RCPM3760

TOTAL * = 1



74657

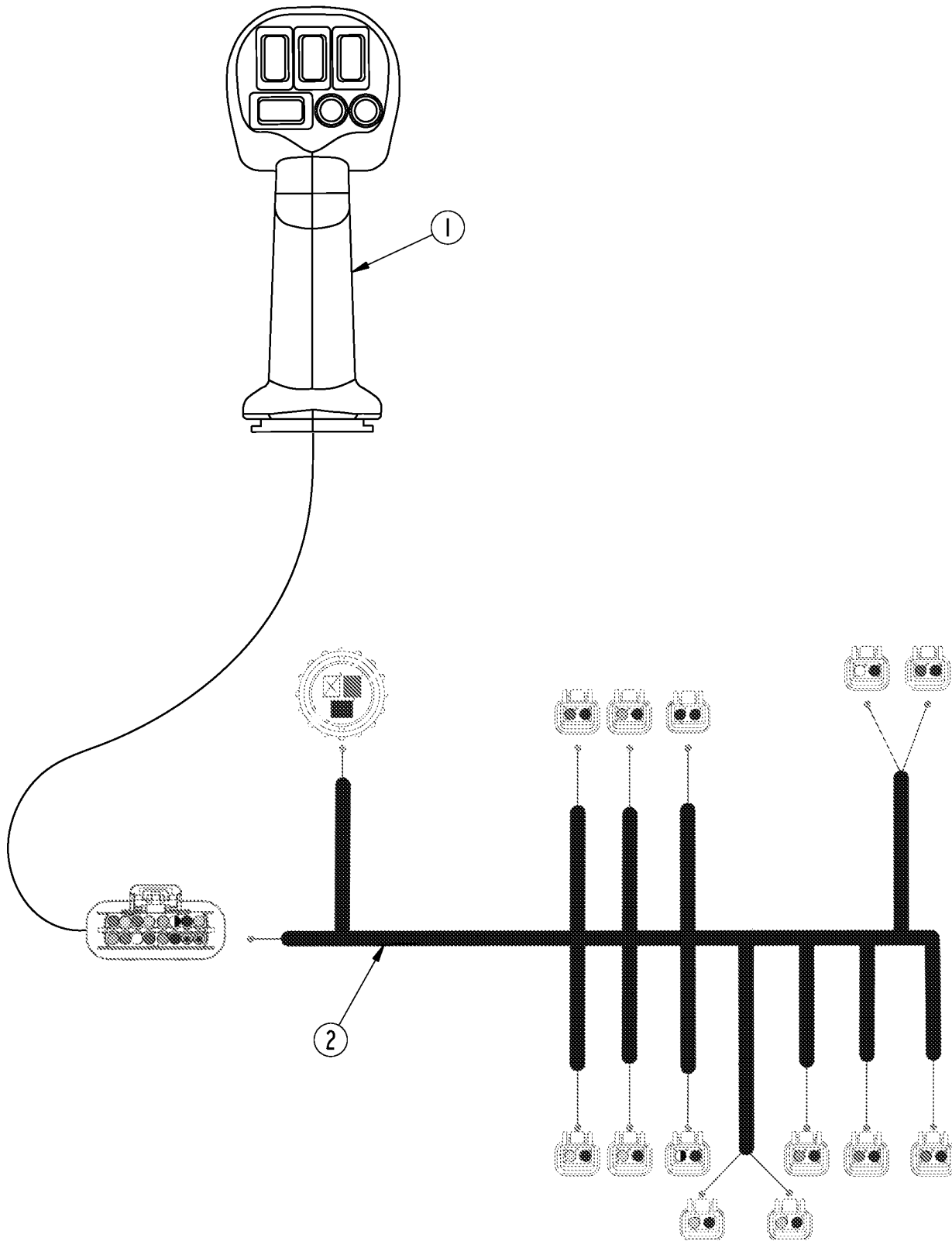
Hydraulic Pump (831-133C) Parker

Applies to RCP2760, RCP3760, RCPM2760, RCPM3760

Ref	Part No.	Part Description	Comments	Revision
	Dwg 74657	Image No.		
	831-133C	PUMP STACK		
		*		
1.	3259899002	SEAL KIT		

Joystick & Wire Harness

Applies to RCP2760, RCP3760, RCPM2760, RCPM3760



74835

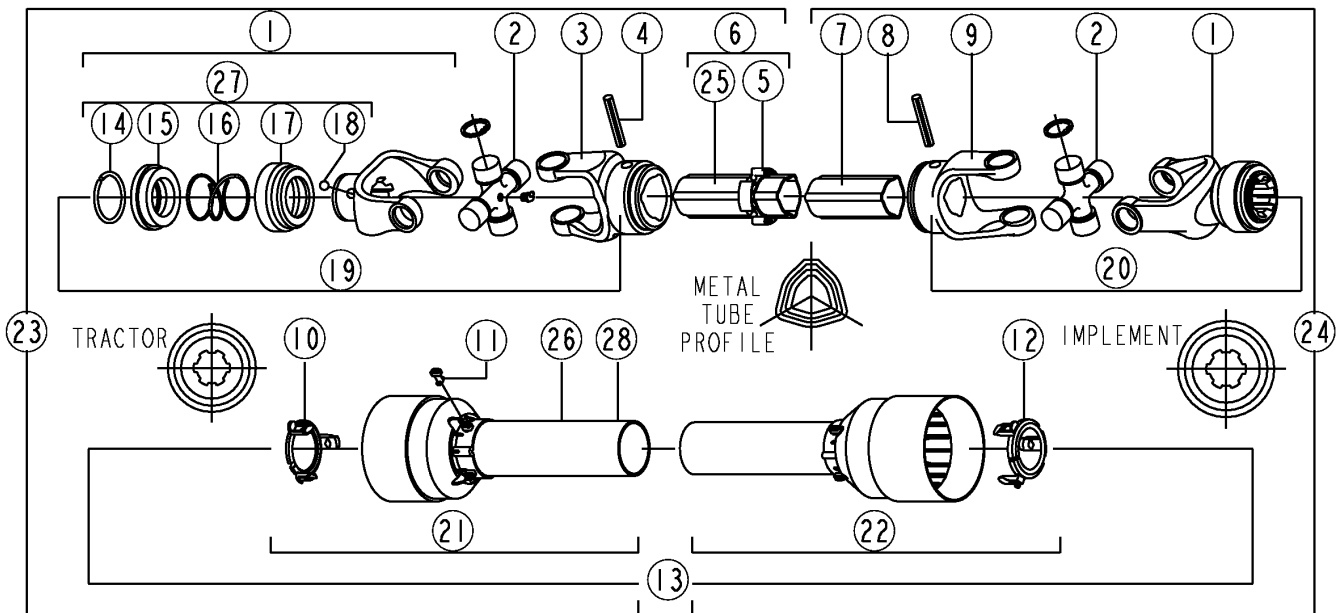
Joystick & Wire Harness

Applies to RCP2760, RCP3760, RCPM2760, RCPM3760

Ref	Part No.	Part Description	Comments	Revision
	Dwg 74835	Drawing Image Number		
1.	823-484C	PARM CNTRL W/DECK/FLOAT		
2.	843-358C	RCP/FMP CONTROLLER HARNESS		

Driveline (826-373C) Comer

Applies to RCP2760, RCP3760

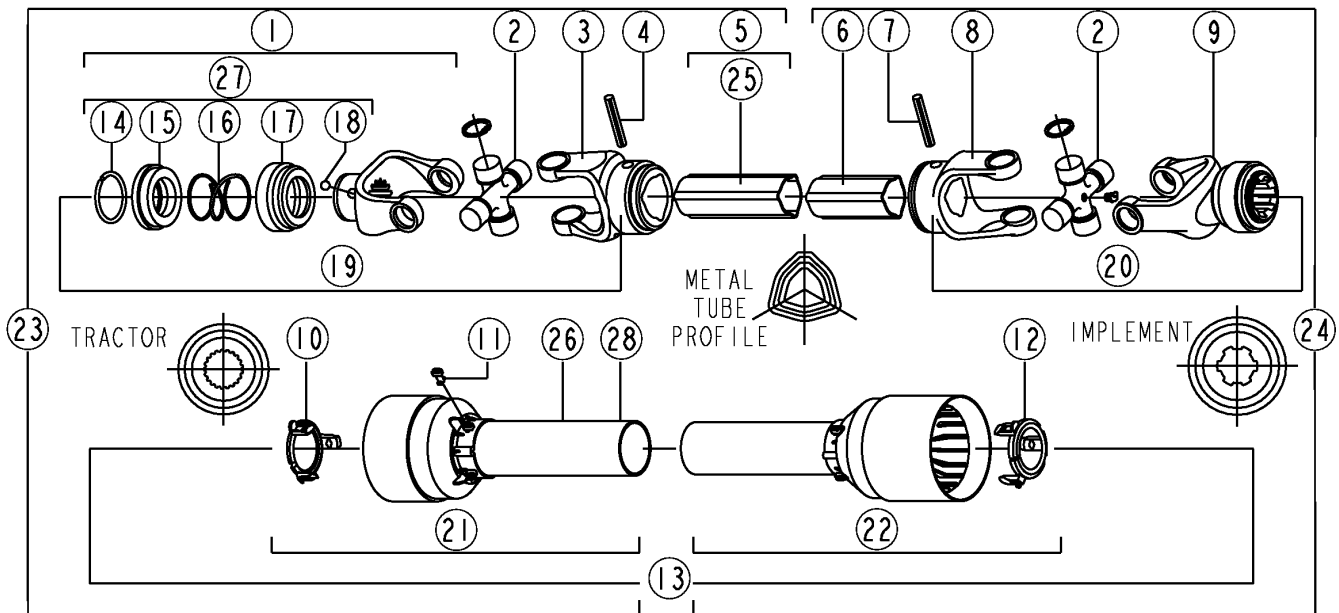


Driveline (826-373C) Comer**Applies to RCP2760, RCP3760**

Ref	Part No.	Part Description	Comments	Revision
	Dwg 72829 826-373C	Image No. DRVLN C3 23 1.38-6 QD *		
1.	141.024.430.1	CO COMPLETE COLLAR YOKE C12		
2.	180.014.130	CO CROSS JOURNAL SET		
3.	151.014.006.1	CO OUTER YOKE		
4.	190.000.014	CO ROLL PIN FOR OUTER TUBE		
5.	180.014.291	CO BUSH WITH GREASE FITTING		
6.	152.140.4110710	CO COMPLETE OUTER TUBE		
7.	153.140.611	CO INNER TUBE		
8.	190.000.012	CO ROLL PIN FOR INNER TUBE		
9.	151.014.007.1	CO INNER YOKE		
10.	180.014.233	CO GRD COLLER OUTER TUBE		
11.	180.014.240	COMER BOLT		
12.	180.014.232	CO GRD COLLER INNER		
13.	142.240.5207421	CO COMPLETE GUARD W/MANUAL		
14.	190.000.451	COMER OUTER CIRCLIP		
15.	151.016.486	COMER SLIDING SLEEVE COLLER		
16.	180.016.487	COMER SPRING		
17.	180.016.483	COMER FIXED SLEEVE		
18.	190.000.078	COMER BALL 1/2"		
19.	121.024.760.11	CO U JOINT FOR OUTER TUBE		
20.	121.024.761.11	CO U JOINT FOR INNER TUBE		
21.	142.246.2147421	CO HALF FEMALE GUARDING		
22.	142.247.2247421	CO HALF MALE GUARDING		
23.	123.340.388.11	CO HALF FEMALE SHAFT W/GUARD		
24.	123.440.758.11	CO HALF MALE SHAFT W/GUARD		
25.	190.000.098	COMER DANGER LABEL OUTER TUBE		
26.	190.000.099	COMER DANGER LABEL GUARD OUTER		
27.	165.000.628	COMER COLLAR KIT 1 3/8 YOKE		
28.	190.000.956	CO LABEL W/CUSTOMER NUMBER		

Driveline (826-877C) Comer

Applies to RCPM2760, RCPM3760



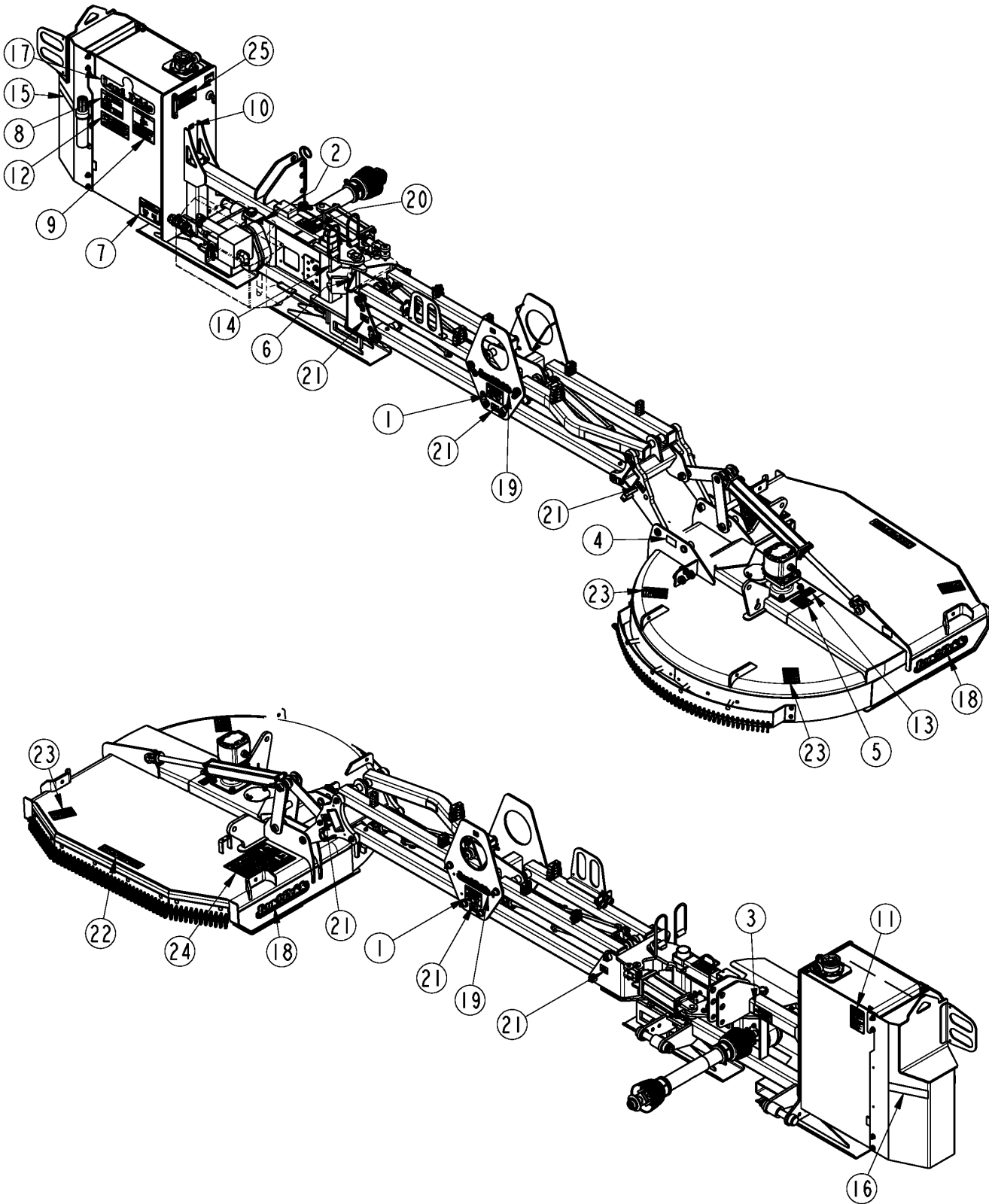
73012

Driveline (826-877C) Comer**Applies to RCPM2760, RCPM3760**

Ref	Part No.	Part Description	Comments	Revision
	Dwg 73012 826-877C	Image No. DRVLN C2 22 1.38-21 QD *		
1.	141.022.327.1	COMPLETE COLLAR YOKE C13 COMER		
2.	180.012.130	CROSS JOURNAL SET COMER		
3.	1510120031	RPBY 151.012.003.1	Obsolete	
4.	190000012	RPBY 190.000.012	Obsolete	
5.	1521202890710	RPBY 152.120.2890710	Obsolete	
6.	153120181	RPBY 153.120.181	Obsolete	
7.	190000011	RPBY 190.000.011	Obsolete	
8.	1510120021	RPBY 151.012.002.1	Obsolete	
9.	141.022.324.1	COMPLETE COLLAR YOKE COMER		
10.	180012184	RPBY 180.012.184	Obsolete	
11.	180014240	RPBY 180.014.240	Obsolete	
12.	180012183	RPBY 180.012.183	Obsolete	
13.	1422203577221	RPBY 142.220.3577221	Obsolete	
14.	190000451	RPBY 190.000.451	Obsolete	
15.	151016486	RPBY 151.016.486	Obsolete	
16.	180016487	COMER SPRING		
17.	180016483	RPBY 180.016.483	Obsolete	
18.	190000078	COMER BALL 1/2"		
19.	12102264611	RPBY 121.022.646.11	Obsolete	
20.	12102264511	RPBY 121.022.645.11	Obsolete	
21.	1422260947221	RPBY 142.226.0947221	Obsolete	
22.	1422270857221	RPBY 142.227.0857221	Obsolete	
23.	12332020511	RPBY 123.320.205.11	Obsolete	
24.	12342039911	RPBY 123.420.399.11	Obsolete	
25.	190000098	RPBY 190.000.098	Obsolete	
26.	190000099	RPBY 190.000.099	Obsolete	
27.	165000628	RPBY 165.000.628	Obsolete	
28.	1900001004	RPBY 190.000.1004	Obsolete	

Decal Placement

Applies to RCP2760, RCP3760, RCPM2760, RCPM3760



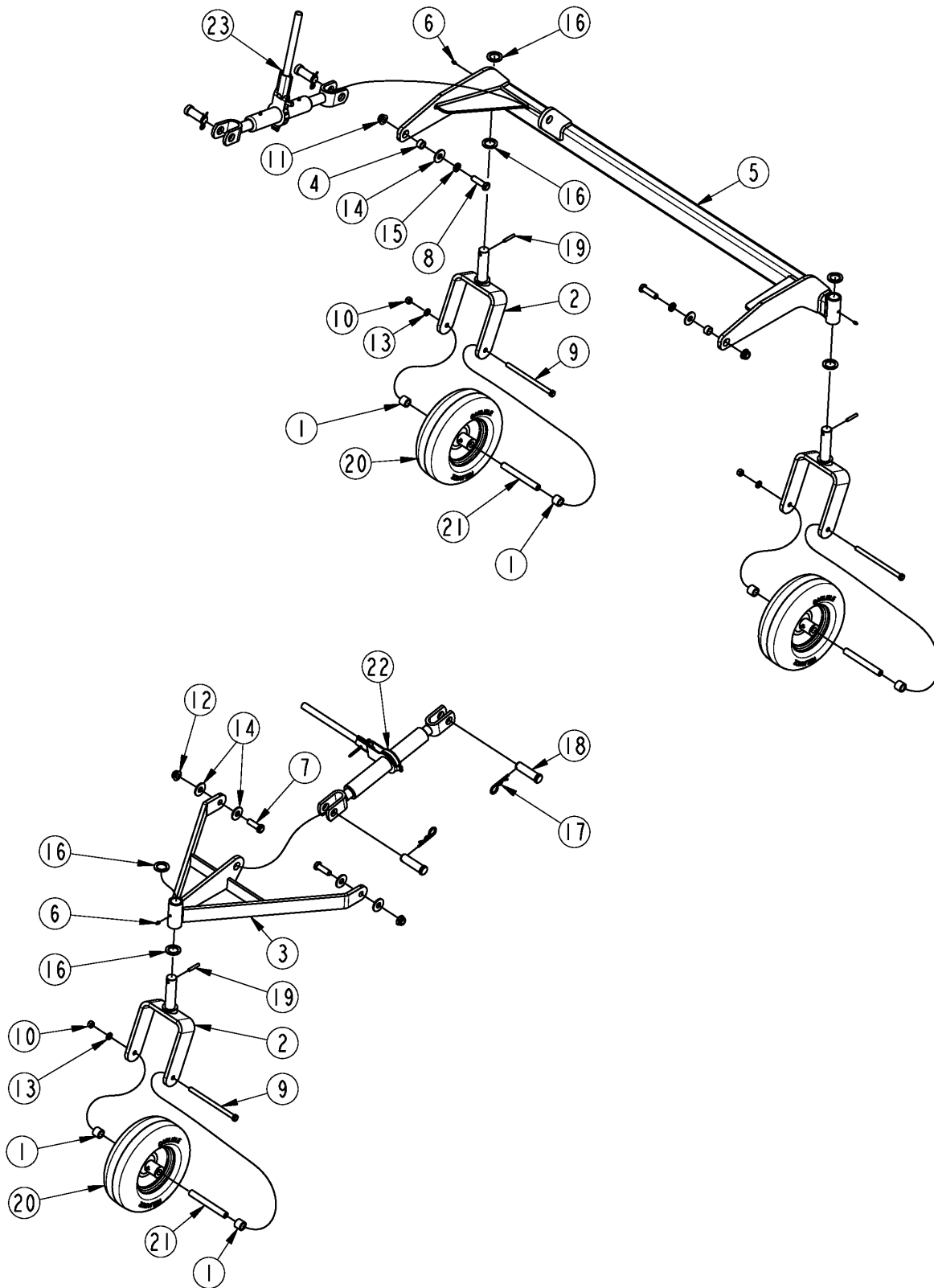
74670

Decal Placement**Applies to RCP2760, RCP3760, RCPM2760, RCPM3760**

Ref	Part No.	Part Description	Comments	Revision
	Dwg 74670	Image No.		
1.	818-045C	DECAL WARNING PINCH PT/CRUSH	RCP(M)2760	
1.	858-950C	DECAL, CUTTER PINCH POINT	RCP(M)3760	
2.	818-130C	DECAL WARNING 540 RPM	RCP2760 & RCP3760	
2.	818-240C	DECAL WARNING 1000 RPM	RCPM2760 & RCPM3760	
3.	818-142C	DECAL DANGER PTO DRIVELINE EN		
4.	818-230C	DECAL RED REFLECTOR		
5.	818-339C	DECAL WARNING HIGH PRESSUR SML		
6.	818-349C	DECAL GREASE 10 HRS LH		
7.	818-388C	DECAL -NOTICE, OPEN VALVE		
8.	818-390C	DECAL - WARNING SIDEMOUNT		
9.	818-391C	DECAL - WARNING TRACTOR ANGLE		
10.	818-438C	DECAL LIFT POINT		
11.	818-558C	DECAL WARNING GEN SAFE MOWER		
12.	818-831C	DECAL WARNING HIGH PRESSURE		
13.	838-289C	DECAL 2 YEAR GEARBOX WARRANTY		
14.	838-368C	DECAL PIC--PINCH POINT		
15.	838-614C	DECAL REFLECTOR RED 2X9		
16.	838-615C	DECAL REFLECTOR AMBER 2X9		
17.	838-964C	DECAL LP 16" W/TREE BROWN/GOLD		
18.	838-965C	DECAL LANDPRIDE 16" BROWN/GOLD		
19.	848-159C	DECAL LANDPRIDE 10" BROWN/GOLD		
20.	848-369C	DECAL CTN AVOID INJRY/MACH DAM		
21.	848-433C	DECAL GREASE EVERY 10HRS MULTI		
22.	858-911C	DECAL, RCP2760	RCP2760	
22.	858-936C	DECAL, RCPM2760	RCPM2760	
22.	858-912C	DECAL, RCP3760	RCP3760	
22.	858-937C	DECAL, RCPM3760	RCPM3760	
23.	858-947C	DECAL DANGER ROTATE BLADE		
24.	858-949C	DECAL CUTTER SAFETY COMBO		
25.	858-955C	DECAL, OIL LEVEL		

Gauge Wheel Package

Applies to RCP2760, RCP3760, RCPM2760, RCPM3760



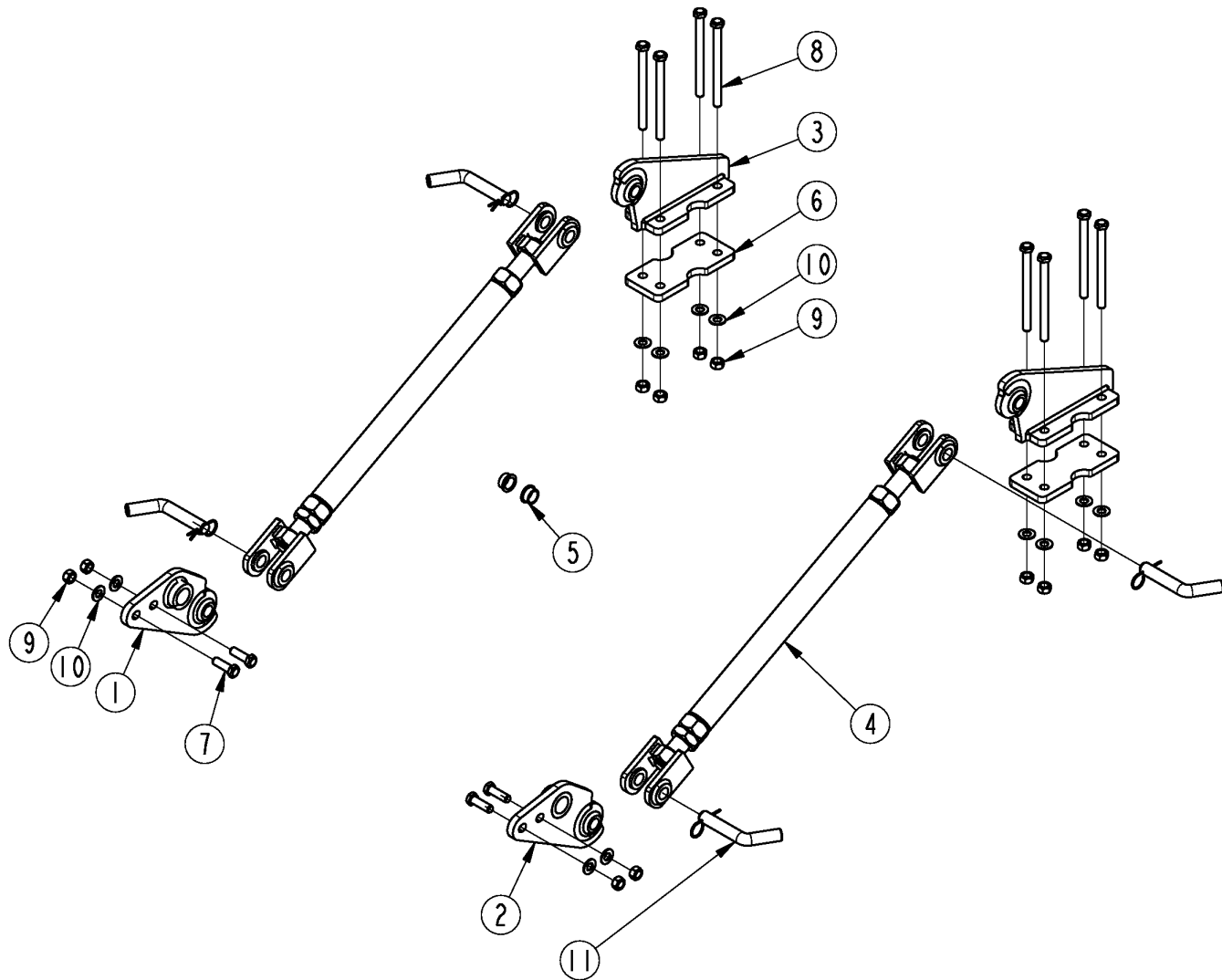
74658

Gauge Wheel Package**Applies to RCP2760, RCP3760, RCPM2760, RCPM3760**

Ref	Part No.	Part Description	Comments	Revision
	Dwg 74658 316-382L	Image No. GAUGE WHEEL PACKAGE *		
1.	310-329D	GAUGE WHEEL SPACER(SOLID TIRE)		
2.	316-105H	FRONT GAUGE YOKE WELDMENT		
3.	316-145H	A-FRAME WELDMENT		
4.	316-233D	PIVOT BUSHING		
5.	316-380H	FRONT GAUGE WMT		
6.	800-080C	GREASE ZERK 1/4-28 THD FORMING		
7.	802-055C	HHCS 5/8-11X2 GR5 FTGD		
8.	802-057C	HHCS 5/8-11X2 1/4 GR5		
9.	802-289C	HHCS 1/2-13X8 GR5		
10.	803-020C	NUT HEX 1/2-13 PLT		
11.	803-196C	NUT HEX FLANGE 5/8-11 PLT		
12.	803-263C	NUT HEX FLANGE LOCK 5/8-11 PLT		
13.	804-015C	WASHER LOCK SPRING 1/2 PLT		
14.	804-019C	WASHER FLAT 5/8 USS PLT		
15.	804-022C	WASHER LOCK SPRING 5/8 PLT		
16.	804-062C	WASHER MACH 1.88 X 1.25 X 10GA		
17.	805-088C	PIN, HAIR COTTER 3/16 WIRE DIA		
18.	805-090C	PIN CLVS 1.0X3.20 USBL		
19.	805-177C	PIN ROLL 5/16 X 1 3/4 PLT		
20.	814-272C	TIRE 13X5.0-6SEMI-SOLID SMOOTH		
21.	827-056C	SPACER GW 3/4ODX33/64IDX6 3/8L		
22.	890-177C	RATCHET JACK - HEAVY DUT		
23.	890-637C	RATCHET JACK 16.25 - 22.25		

Stabilizer Kit

Applies to RCP2760, RCP3760, RCPM2760, RCPM3760



39369

Stabilizer Kit

Applies to RCP2760, RCP3760, RCPM2760, RCPM3760

Ref	Part No.	Part Description	Comments	Revision
	Dwg 39369	Drawing Image Number		
	316-325A	KUBOTA 3PT STABILIZER KIT	For M126GX and M135GX tractors only	
		*		
1.	316-326H	LH LOWER LINK MNT		
2.	316-327H	RH LOWER LINK MNT		
3.	316-328H	AXLE MNT		
4.	316-329S	STABILIZER TURNBUCKLE ASSY		
5.	316-368D	TOP LINK CAT III TO CAT II ADP		
6.	316-450D	AXLE MNT PLT		
7.	802-055C	HHCS 5/8-11X2 GR5		
8.	802-208C	HHCS 5/8-11X8 GR5		
9.	803-024C	NUT LOCK 5/8-11 PLT		
10.	804-021C	WASHER FLAT 5/8 SAE PLT		
11.	805-533C	PIN BENT 1.0 X 3.88 W/PIN		



Part Number Index

The Part Number Index is a numeric index of all part numbers included in this manual. The index shows what page(s) the part is used on.

Part Number	Page	Part Number	Page	Part Number	Page	Part Number	Page
0.139.7100.00	23	1M7021-ADI	39	316-404H82	9	8.7.1.01107	23
0.139.7101.00	23	2072.003.542	49, 51	316-406H	9	800-060C	11
0.278.7104.00	23	2073.001.109	49, 51	316-406H82	9	800-066C	7
0.772.1303.00	23	2073.002.109	49, 51	316-410H	21	800-080C	7, 21, 67
0.772.3000.00	23	2073.004.426	51	316-410H82	21	800-130C	9
121.024.760.11	61	2073.009.426	49	316-411H	9	801-023C	37, 41, 47
121.024.761.11	61	2073.010.542	49, 51	316-411H82	9	802-012C	7
12102264511	63	235005	25, 27	316-412L	11	802-015C	17, 19
12102264611	63	235014	29, 31	316-413H	9	802-022C	29, 31
123.340.388.11	61	258818	41	316-413H82	9	802-023C	39
123.440.758.11	61	258827	37, 47	316-418H	9	802-038C	15
12332020511	63	2A0014	39	316-418H82	9	802-055C	67, 69
12342039911	63	2A0024	39	316-419H	9	802-057C	67
129110	37, 47	2A0079-616	43, 45	316-419H82	9	802-091C	7
130556	41	2A0132	39	316-421H	9	802-092C	7
134950	41	2A0235-6	43, 45	316-421H82	9	802-094C	9
134953	41	2A0235-8	45	316-422H	9	802-115C	21
141.022.324.1	63	2A0236-9	43	316-422H82	9	802-147C	9
141.022.327.1	63	2A0246-12	45	316-423H	9	802-208C	69
141.024.430.1	61	2A0246-16	43	316-423H82	9	802-277C	13
142.240.5207421	61	2A0310	39	316-424H	9	802-289C	67
142.246.2147421	61	2A0354-109	43	316-424H82	9	802-428C	7
142.247.2247421	61	2A0580-2575	45	316-433H	7	802-431C	9
1422203577221	63	2A0581-3875	43	316-433H82	7	802-466C	21
1422260947221	63	2M4422	39	316-450D	69	802-540C	35
1422270857221	63	300-318D	7	316-513D	7	802-647C	19
151.014.006.1	61	310-329D	67	316-579D	7	802-657C	15
151.014.007.1	61	312-647D	21	318-586A	13	802-885C	29, 31
151.016.486	61	312-845A	17	3259899002	57	803-007C	9
1510120021	63	312-948D	19	326-181D	19	803-008C	7
1510120031	63	316-034D	7	326-182D	19	803-011C	21
151016486	63	316-065D	21	326-219D	17	803-014C	29, 31, 41
152.140.4110710	61	316-099D	7	326-220D	17	803-020C	15, 67
1521202890710	63	316-100D	7	326-221D	21	803-022C	37, 47
153.140.611	61	316-105H	67	326-223D	17	803-024C	69
153120181	63	316-115H	9	326-224D	17	803-081C	7
165.000.628	61	316-115H82	9	326-282S	7	803-170C	13
165000628	63	316-119H	21	3C4549	43	803-177C	7, 9
180.012.130	63	316-119H82	21	3R1410	39	803-196C	67
180.014.130	61	316-124H	13	471413	53	803-198C	17, 19
180.014.232	61	316-145H	67	491680	41	803-229C	29, 31
180.014.233	61	316-164H	9	491806	37, 47	803-231C	21
180.014.240	61	316-164H82	9	492230	41	803-234C	39
180.014.291	61	316-200D	21	492346	37, 47	803-263C	15, 67
180.016.483	61	316-201D	21	492371	41	803-268C	11
180.016.487	61	316-202D	21	492650	41	803-342C	7
180012183	63	316-207H	9	492652	37, 47	804-009C	7
180012184	63	316-233D	67	492833	37, 47	804-012C	21, 29, 31
180014240	63	316-270H	7	492857	41	804-013C	9, 21, 29, 31
180016483	63	316-290D	7	492873	37, 47	804-015C	15, 67
180016487	63	316-325A	69	494391	41	804-016C	7
186561	37, 41, 47	316-326H	69	494404	37, 47	804-019C	67
190.000.012	61	316-327H	69	498006	37, 47	804-021C	69
190.000.014	61	316-328H	69	4C4360	45	804-022C	67
190.000.078	61	316-329S	69	4C4368	43	804-036C	7
190.000.098	61	316-335A	19	4C5627	45	804-062C	67
190.000.099	61	316-368D	69	4C5629	43	804-147C	13
190.000.451	61	316-371H	7	4C5810	45	805-088C	67
190.000.956	61	316-371H82	7	4C5811	43	805-090C	67
190000011	63	316-377H	7	4C7385	45	805-103C	7
190000012	63	316-377H82	7	4C7386	45	805-124C	39
190000078	63	316-379H	21	4M4108	39	805-175C	7
190000098	63	316-379H82	21	5M4124	39	805-177C	67
190000099	63	316-380H	67	6R1146-ADI	39	805-533C	69
1900001004	63	316-382L	67	7113-023-0N0	53	8050.505.000	49, 51
190000451	63	316-401H	7	7M4324	39	8050.576.000	49, 51
199990	41	316-401H82	7	8.0.9.00143	23	806-108C	9
1D0007-2312	45	316-402H	7	8.2.2.00555	23	807-023C	29, 31
1D0009-3588	43	316-402H82	7	8.4.7.00146	23	8075.200.000	49, 51
1D1013-5	45	316-404H	9	8.6.5.00006	23	810-015C	39

Table of Contents Part Number Index



Part Number Index (continued)

Part Number	Page	Part Number	Page	Part Number	Page
810-198C	25, 27, 37, 47	848-433C	65	861-942C	9
810-208C	33, 55	850-306C	27, 35	861-943C	9
810-212C	33	850-307C	27, 35	861-946C	9
810-294C	29	850-354C	45	861-958C	25
810-314C	15, 53	850-355C	43	861-959C	25, 29
810-522C	25, 27, 39	851-244C	9	861-961C	33
810-535C	25, 27, 41	851-245C	9	861-971C	33
810-576C	25, 27, 43	8575.267.000	49, 51	861-972C	33
810-577C	25, 27, 45	858-911C	65	861-976C	27
810-885C	37, 47	858-912C	65	861-977C	27
810-886C	41	858-936C	65	861-978C	25, 27
810-932C	29, 31	858-937C	65	861-979C	25
810-933C	29	858-947C	65	861-980C	25
811-169C	29	858-949C	65	861-981C	29
811-171C	29	858-950C	65	861-994C	9
811-394C	25, 29	858-955C	65	861-995C	9
811-408C	33	8600.142.000	49, 51	8625.140.000	49, 51
811-410C	33	8600.149.000	49, 51	8675.188.100	49, 51
811-470C	29	8600.390.000	49, 51	8675.201.100	49, 51
8125.418.001	49, 51	8600.670.000	49, 51	8682-023-00N	55
814-272C	67	861-114C	33, 35	8682-023-T4N	55
816-182C	15	861-115C	33, 35	890-005C	9, 21
816-441C	9	861-227C	33, 35	890-177C	67
817-455C	7	861-230C	33, 35	890-309C	7
818-045C	65	861-233C	33, 35	890-401C	7
818-130C	65	861-236C	33	890-485C	17, 19
818-142C	65	861-238C	25	890-637C	67
818-230C	65	861-239C	25, 27	9110.345.000	49, 51
818-240C	65	861-240C	25, 27	9116-003-00D	55
818-339C	65	861-241C	25, 27	9222-361-00D	55
818-349C	65	861-242C	25, 27	C7918E-1	43
818-388C	65	861-243C	25, 27	C7918E-2	43
818-390C	65	861-248C	25, 27	Dwg 12276	23
818-391C	65	861-249C	25, 27	Dwg 13249	55
818-438C	65	861-250C	25, 27	Dwg 13250	53
818-558C	65	861-251C	25, 27	Dwg 14283	37, 47
818-831C	65	861-252C	27	Dwg 24874	43
820-112C	13	861-253C	27	Dwg 35077	49
8200.308.000	49, 51	861-255C	33, 35	Dwg 35078	51
822-214C	23	861-256C	33, 35	Dwg 39369	69
8225.248.000	49, 51	861-571C	33, 35	Dwg 72829	61
823-484C	59	861-574C	25, 27, 35	Dwg 72927	39
826-108C	33, 35, 51	861-586C	35	Dwg 72950	45
826-110C	15, 23	861-758C	33	Dwg 73012	63
826-138C	33, 35, 49	861-763C	31	Dwg 74545	7
826-373C	33, 35, 61	861-764C	33, 35	Dwg 74551	9
826-877C	33, 35, 63	861-826C	33, 35	Dwg 74555	11
827-056C	67	861-850C	33	Dwg 74556	15
831-130C	7	861-873C	35	Dwg 74557	13
831-133C	35, 57	861-874C	33, 35	Dwg 74562	21
836-085C	7	861-875C	35	Dwg 74577	17
838-289C	65	861-876C	31	Dwg 74584	19
838-368C	65	861-878C	25, 27	Dwg 74618	29
838-614C	65	861-879C	33, 35	Dwg 74619	25
838-615C	65	861-880C	33, 35	Dwg 74632	27
838-964C	65	861-881C	33, 35	Dwg 74638	31
838-965C	65	861-882C	33, 35	Dwg 74639	33
841-204C	29	861-883C	35	Dwg 74649	35
841-438C	33	861-884C	35	Dwg 74657	57
841-970C	29	861-885C	35	Dwg 74658	67
842-265C	11	861-894C	35	Dwg 74670	65
843-159C	11	861-895C	31	Dwg 74835	59
843-208C	11	861-896C	35	dwg25904	41
843-209C	11	861-903C	27	N/A	39, 41, 43, 45
843-210C	11	861-904C	35		
843-211C	11	861-906C	33, 35		
843-215C	11	861-916C	33		
843-358C	59	861-925C	27		
843-385C	11	861-928C	9		
848-159C	65	861-929C	9		
848-369C	65	861-932C	9		



Great Plains Manufacturing, Inc.

Corporate Office: P.O. Box 5060
Salina, Kansas 67402-5060 USA

www.landpride.com
