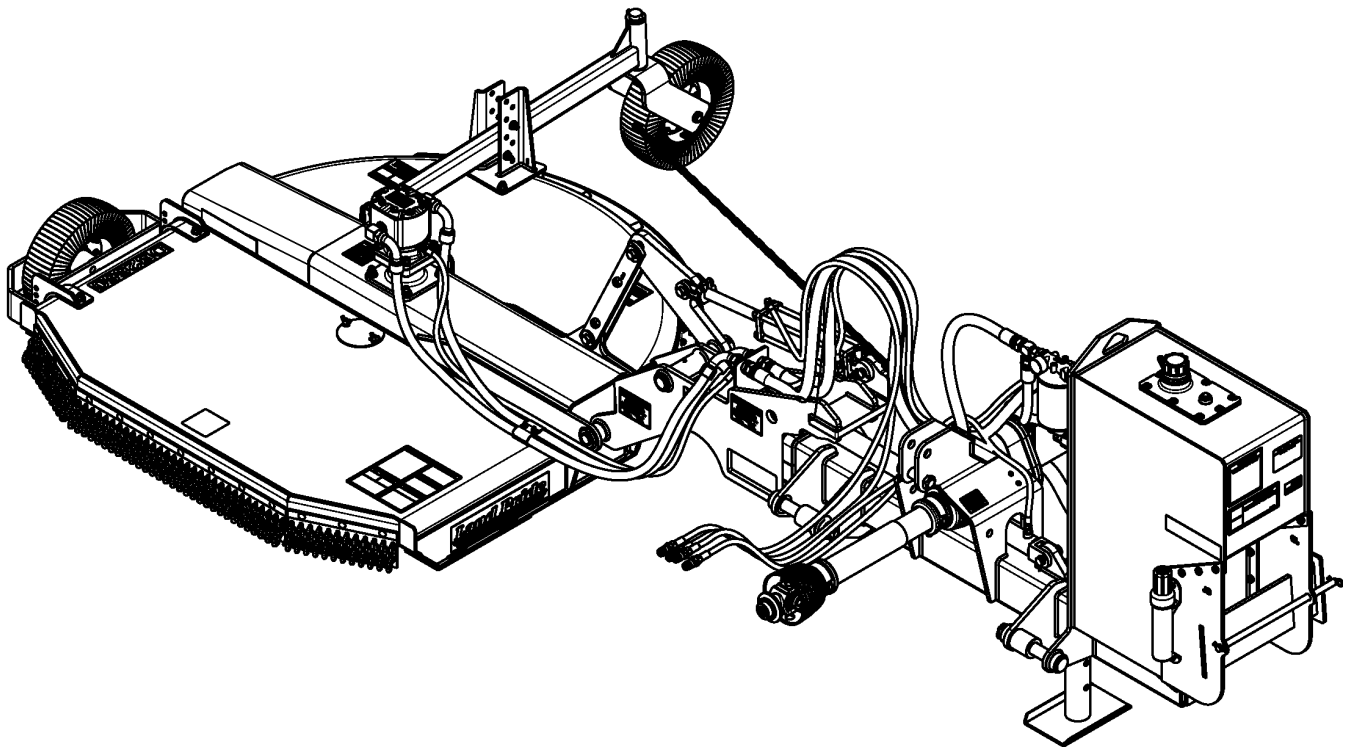


Rotary Cutters

DB(M)2660



37399

316-317P Parts Manual



Read the Operator's Manual entirely. When you see this symbol, the subsequent instructions and warnings are serious - follow without exception. Your life and the lives of others depend on it!

© Copyright 2020 Printed 09/29/20

Cover photo may show optional equipment not supplied with standard unit.





Table of Contents

Section 1: Introduction.....	4	SMV Sign.....	70
Using This Manual.....	4	Section 8: Decals.....	72
Manual Replacement Information.....	4	Decal Placement.....	72
Manual Revisions.....	4	Touch-up Paints - LP.....	74
Touch-up Paint.....	4		
Hardware Legend.....	5		
Replacement Hardware.....	5	Part Number Index.....	76
Serial Numbers.....	5		
Part Number Service Coding.....	5		
Section 2: Frames.....	6		
Extension Arm Assembly.....	6		
Hitch & Reservoir Assembly.....	8		
Light Kit DB2660.....	10		
Weight Hangers.....	12		
Section 3: Deck.....	14		
Blade Drive.....	14		
Deck Link & Cylinder.....	16		
Spindle Hub Assembly (826-110C).....	18		
Section 4: Guards.....	20		
Guard: Front Rubber.....	20		
Guard: Front Single & Double Chain.....	22		
Guard: Rear Rubber.....	24		
Guard: Rear Single & Double Chain S/N 1058899-.....	26		
Guard: Rear Single & Double Chain S/N 1058900+.....	28		
Section 5: Hydraulics & Cylinders.....	30		
Cylinders & Hoses.....	30		
Deck Motor Hydraulics.....	32		
Hydraulic Cylinder (810-312C) Lion.....	34		
Hydraulic Cylinder (810-944C) Lion.....	36		
Hydraulic Gear Increaser 1000 RPM (826-138C)			
Bondioli.....	38		
Hydraulic Gear Increaser 1000 RPM (826-492C)			
Bondioli.....	40		
Hydraulic Gear Increaser 1000 RPM (826-492C) Comer..	42		
Hydraulic Gear Increaser 540 RPM (826-108C) Bondioli..	44		
Hydraulic Gear Increaser 540 RPM (826-108C) Comer...	46		
Hydraulic Gear Increaser 540 RPM (826-493C) Bondioli..	48		
Hydraulic Gear Increaser 540 RPM (826-493C) Comer...	50		
Hydraulic Motor (810-314C) Ultra.....	52		
Hydraulic Pump (810-208C) Ultra.....	54		
Speed Increaser: Ditch Bank Mount.....	56		
Speed Increaser: Tractor Mount.....	58		
Section 6: Drivelines.....	60		
Driveline 1000 (826-791C) Comer.....	60		
Driveline 540 (826-790C) Comer.....	62		
Section 7: Options & Accessories.....	64		
Gauge Wheel Components: Side Wheel.....	64		
Gauge Wheel Components: Tail Wheel.....	66		
Hub Assembly 4-Bolt W/ Zerk & Studs (815-092C).....	68		

© Copyright 2020. All rights reserved.

Land Pride provides this publication "as is" without warranty of any kind, either expressed or implied. While every precaution has been taken in the preparation of this manual, Land Pride assumes no responsibility for errors or omissions. Neither is any liability assumed for damages resulting from the use of the information contained herein. Land Pride reserves the right to revise and improve its products as it sees fit. This publication describes the state of this product at the time of its publication, and may not reflect the product in the future. The illustrations in this manual are not intended for safe and proper assembly or disassembly of equipment. The illustrations are intended for ordering parts only.

Land Pride is registered trademark.

All other brands and product names are trademarks or registered trademarks of their respective holders.

Printed in the United States of America.



Alphabetized Table of Contents

<p>B</p> <p>Blade Drive.....14</p> <p>C</p> <p>Cylinders & Hoses.....30</p> <p>D</p> <p>Decal Placement.....72</p> <p>Deck Link & Cylinder.....16</p> <p>Deck Motor Hydraulics.....32</p> <p>Driveline 1000 (826-791C) Comer.....60</p> <p>Driveline 540 (826-790C) Comer.....62</p> <p>E</p> <p>Extension Arm Assembly.....6</p> <p>G</p> <p>Gauge Wheel Components: Side Wheel.....64</p> <p>Gauge Wheel Components: Tail Wheel.....66</p> <p>Guard: Front Rubber.....20</p> <p>Guard: Front Single & Double Chain.....22</p> <p>Guard: Rear Rubber.....24</p> <p>Guard: Rear Single & Double Chain S/N 1058899-.....26</p> <p>Guard: Rear Single & Double Chain S/N 1058900+.....28</p> <p>H</p> <p>Hitch & Reservoir Assembly.....8</p> <p>Hub Assembly 4-Bolt W/ Zerk & Studs (815-092C)....68</p> <p>Hydraulic Cylinder (810-312C) Lion.....34</p> <p>Hydraulic Cylinder (810-944C) Lion.....36</p> <p>Hydraulic Gear Increaser 1000 RPM (826-138C)</p> <p style="padding-left: 20px;">Bondioli.....38</p> <p>Hydraulic Gear Increaser 1000 RPM (826-492C)</p> <p style="padding-left: 20px;">Bondioli.....40</p> <p>Hydraulic Gear Increaser 1000 RPM (826-492C)</p> <p style="padding-left: 20px;">Comer.....42</p> <p>Hydraulic Gear Increaser 540 RPM (826-108C)</p> <p style="padding-left: 20px;">Bondioli.....44</p> <p>Hydraulic Gear Increaser 540 RPM (826-108C)</p> <p style="padding-left: 20px;">Comer.....46</p> <p>Hydraulic Gear Increaser 540 RPM (826-493C)</p> <p style="padding-left: 20px;">Bondioli.....48</p> <p>Hydraulic Gear Increaser 540 RPM (826-493C)</p> <p style="padding-left: 20px;">Comer.....50</p> <p>Hydraulic Motor (810-314C) Ultra.....52</p> <p>Hydraulic Pump (810-208C) Ultra.....54</p> <p>L</p> <p>Light Kit DB2660.....10</p> <p>S</p> <p>SMV Sign.....70</p> <p>Speed Increaser: Ditch Bank Mount.....56</p> <p>Speed Increaser: Tractor Mount.....58</p> <p>Spindle Hub Assembly (826-110C).....18</p>	<p>T</p> <p>Touch-up Paints - LP.....74</p> <p>W</p> <p>Weight Hangers.....12</p>
---	---

General Information

Using This Manual

This manual is divided into sections. The first section contains General Information. The remaining sections divide the machine into segments (i.e. Frames, Drives, Hydraulics, etc.) which illustrate and list all parts. A Parts Number Index is located at the back of the book.

The Land Pride parts in this manual are specially designed for this machine and should be replaced with Land Pride parts only.

The information in this manual is current at time of printing. Some parts may change to assure top performance.

Right-hand and left-hand as used in this manual are determined by facing the direction the machine will travel while in use.

Below is an example of two facing pages from a parts manual. Familiarize yourself with the type of information contained on these pages.

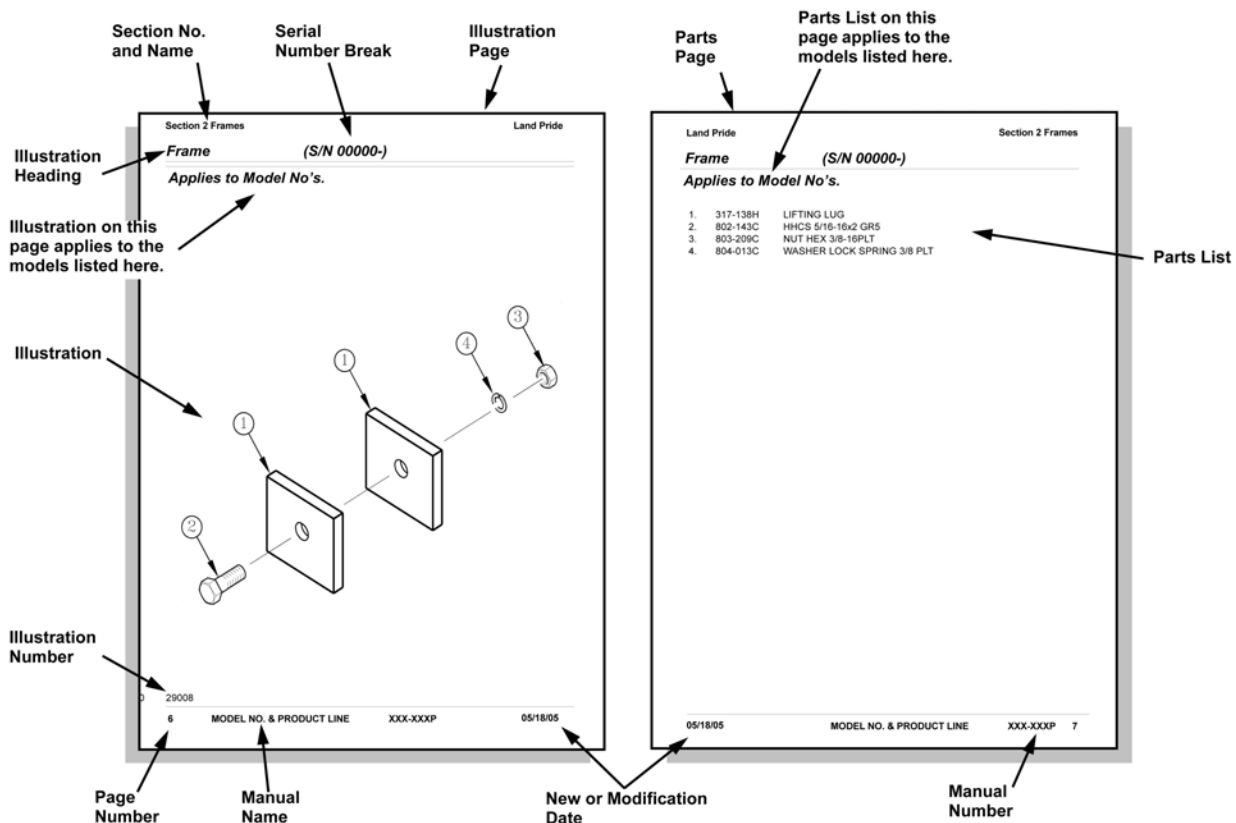
Manual Replacement Information

Replacement manuals are available. Refer to our website at www.landpride.com or e-mail us at lit@landpride.com for additional information. Our website continues to provide the most up-to-date manuals available.

Touch-up Paint

Repaint parts where paint is worn or scratched to prevent rust. Aerosol cans and touch-up bottles with brush applicator are available through your local dealer. Also available are quart and gallon size paints. Add QT or GL to end of the Aerosol P/N.

Land Pride color descriptions and part numbers are listed on the "Land Pride Touch-up Paints" page in the "Decals" section of this book. Color options vary by product.



General Information

Hardware Legend

AR	As Required
BLADE	Blade Bolt
C	Cap Screw
CP	Cotter Pin
CPHSSS	Cup Point Hex Socket Set Screw
CPSHSS	Cup Point Square Head Set Screw
CPSQHSS	Cup Point Square Head Set Screw
CRFCHMS3	Cross Recess Flat Countersunk Head Machine Screw
CRPHMS	Cross Recess Pan Head Machine Screw
CRPHTF	Cross Recess Pan Head Thread Forming
CRRHMS	Cross Recess Round Head Machine Screw
CRTHMS	Cross Recess Truss Head Machine Screw
CSNB	Countersunk Square Neck Bolt
FHMS	Flat Head Machine Screw
FTC	Full Thread Cap Screw
H	Hex Nut
HCLN	Hex Center Lock Nut
HFLCS	Hex Flange Lock Cap Screw
HFS	Hex Flange Screw
HFSLN	Hex Flange Serrated Lock Nut
HFSS	Hex Flange Serrated Screw
HHCS	Hex Head Cap Screw or Metric Bolt
HSBHCS	Hex Socket Button Head Cap Screw
HSFCHCS	Hex Socket Flat Countersunk Head Cap Screw
HSHCS	Hex Socket Head Cap Screw
HSSS	Hex Socket Head Screw
HTLN	Hex Top Lock Nut
HWHCS	Hex Washer Head Cap Screw

HWHMS	Hex Washer Head Machine Screw
HXBHCS	Hex Socket Button Head Cap Screw
J	Hex Jam Nut
JIC	37 Degree Tapered Thread
L	Helical Spring Lock Washer
LUG	Lug Bolt
NFC	National Fine Cap Screw
NPSM	National Pipe Straight Mechanical
NPTF	National Pipe Taper Fuel
P	Wide Plain Washer
PHMS	Pan Head Machine Screw
PLOW	Plow Bolt
RHMS	Round Head Machine Screw
RHSNB	Round Head Square Neck Bolt
SCREW LEVELING	Leveling Screw
SCREW THUMB	Thumb Screw
SCREW WELD	Weld Screw
SFCHMS	Slotted Flat Countersunk Head Machine Screw
SFHMS	Slotted Fillister Head Machine Screw
SP	Special
SP SCREW	Special Screw
SQHSS	Square Head Set Screw
SRHMS	Slotted Round Head Machine Screw
SSS	Socket Set Screw
STCS	Self Tapping Cap Screw
STHMS	Slotted Truss Head Machine Screw
WHEEL	Wheel Studs and Hub Long Bolts
WING	Wing Bolt

Replacement Hardware

The **Hardware Legend** above lists hardware abbreviations used in the parts list. All bolts and nuts are Grade 5 unless otherwise noted. The use of improper grades of hardware can result in personal injury, damage to equipment, or loss of property.

Colored Replacement Parts

Land Pride offers replacement parts in factory standard colors and also on select models in Green, Orange, Red and Blue. Because of the variety of colors available, special attention must be given to the part number to prevent ordering the wrong replacement part.

A suffix number corresponding to one of the colors below must be added at the end of Land Pride's part number when ordering a replacement part with that color.

81 Green 83 Red
82 Orange 84 Blue

For example, if you are ordering a replacement part with part number 555-555C and the part you need is red, then add the suffix 83 to the end of the number to make the part number read 555-555C83. Parts ordered without a suffix number will be supplied in factory standard colors.

Black Replacement Parts

Some parts are factory standard black and some must be special ordered black. If your part is special ordered black, a second part number with the additional suffix number 85 on the end will be available. In this situation you must order that part with the suffix number for it to be black. Parts that are factory standard black will not have the suffix number.

Part Number Service Coding

Within the parts list some part numbers are coded for revisions and interchangeability. See notations in revision column.

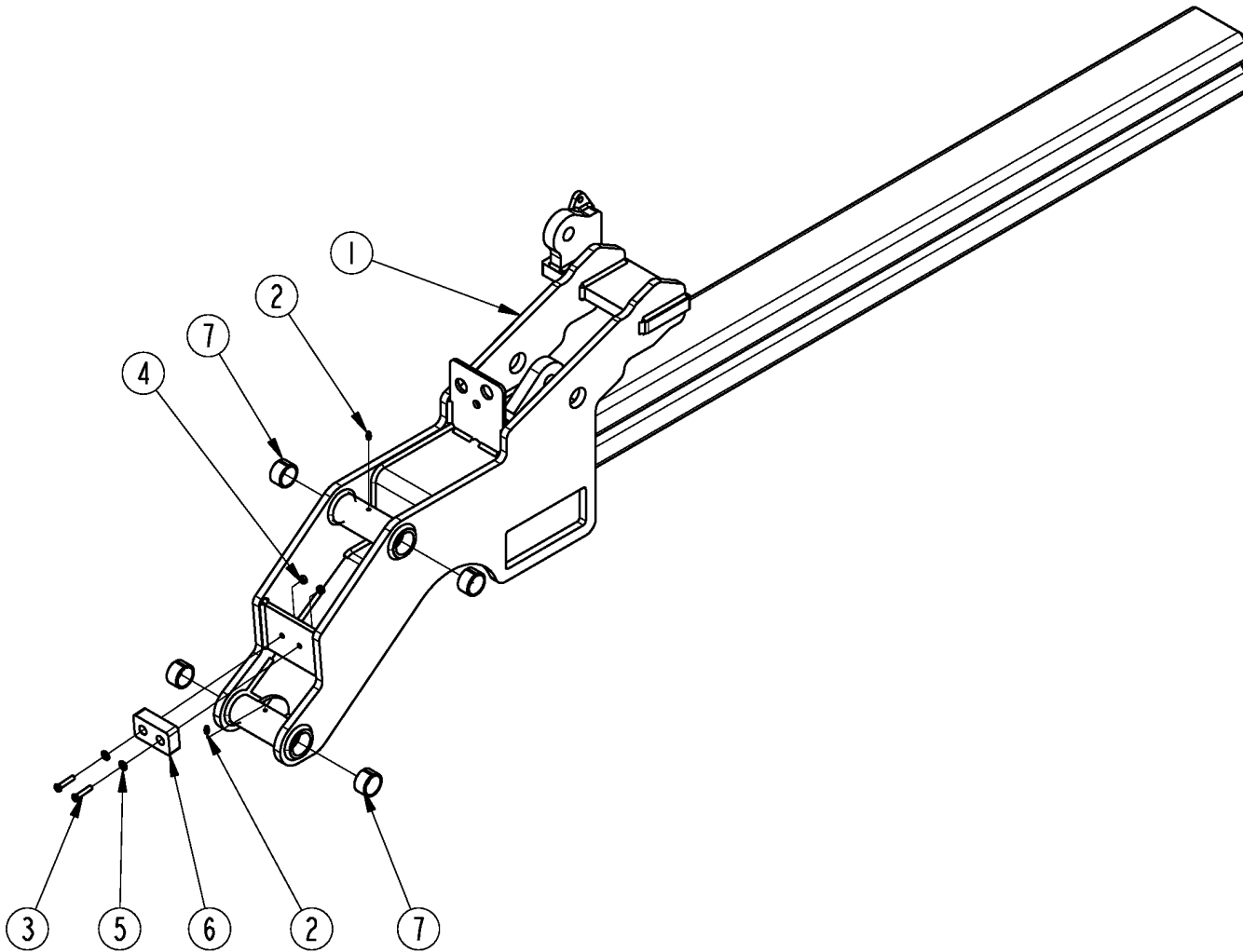
Serial Numbers

Always use the serial and model number when ordering parts. Refer to the Operator's Manual for serial number plate location.

- (S/N 20001+) Includes serial numbers 20001 and above (to the latest number)
- (S/N 10001 to 20000) Includes serial numbers between and including 10001 and 20000
- (S/N 10000-) Includes serial numbers 10000 and below (to the earliest number)

Extension Arm Assembly

Applies to DB(M)2660



37429

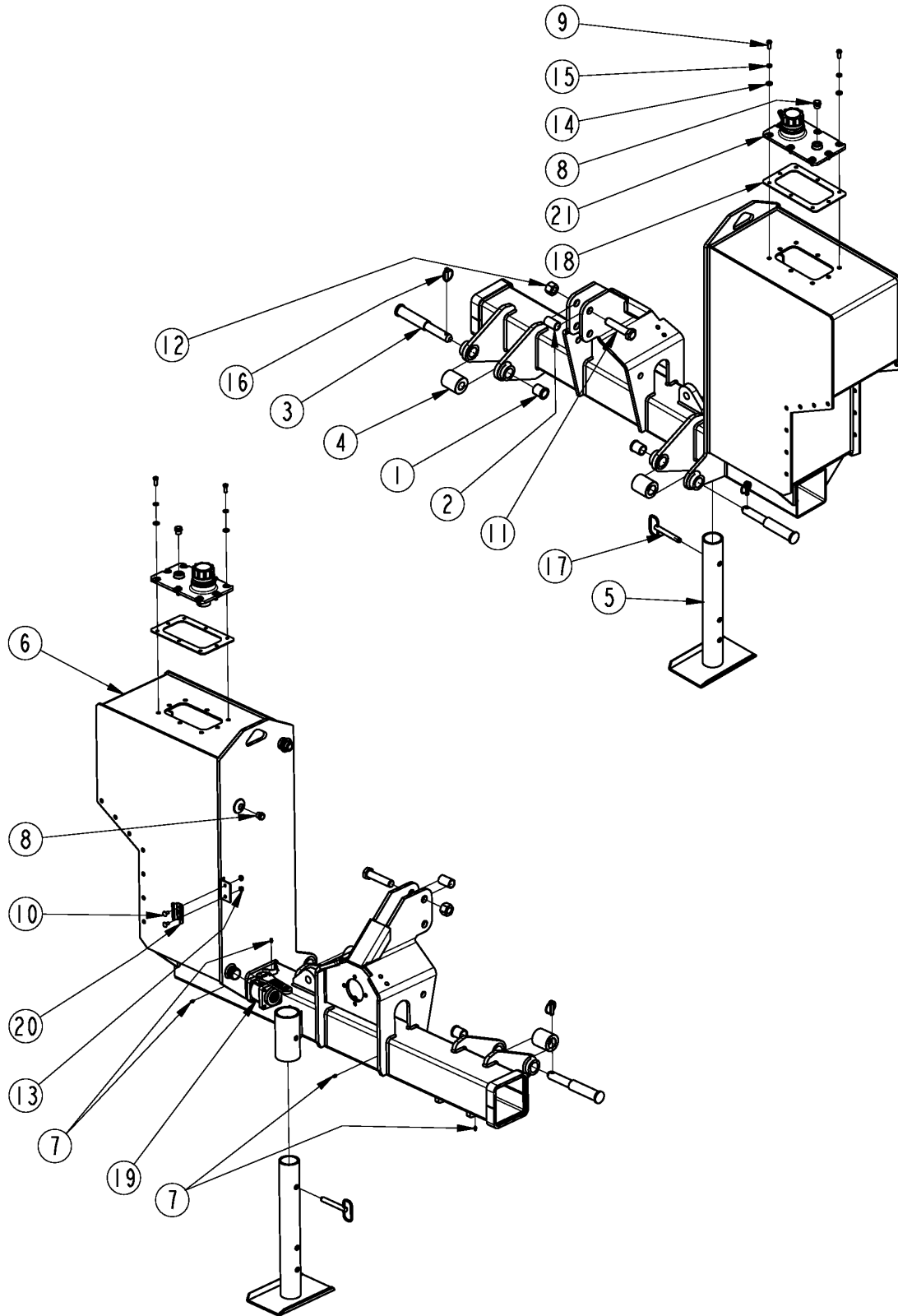
Extension Arm Assembly

Applies to DB(M)2660

Ref	Part No.	Part Description	Comments	Revision
	dwg37429	Drawing Image Number		
1.	316-299H	EXTENSION ARM		
2.	800-080C	GREASE ZERK 1/4-28 THD FORMING		
3.	802-012C	HHCS 5/16-18X1 1/2 GR5		
4.	803-011C	NUT LOCK 5/16-18 PLT		
5.	804-036C	WASHER FLAT 5/16 SAE PLT		
6.	816-833C	URETHANE BUMPER		
7.	890-126C	BUSHING PIVOT PIN 1 1/2 ID		

Hitch & Reservoir Assembly

Applies to DB(M)2660



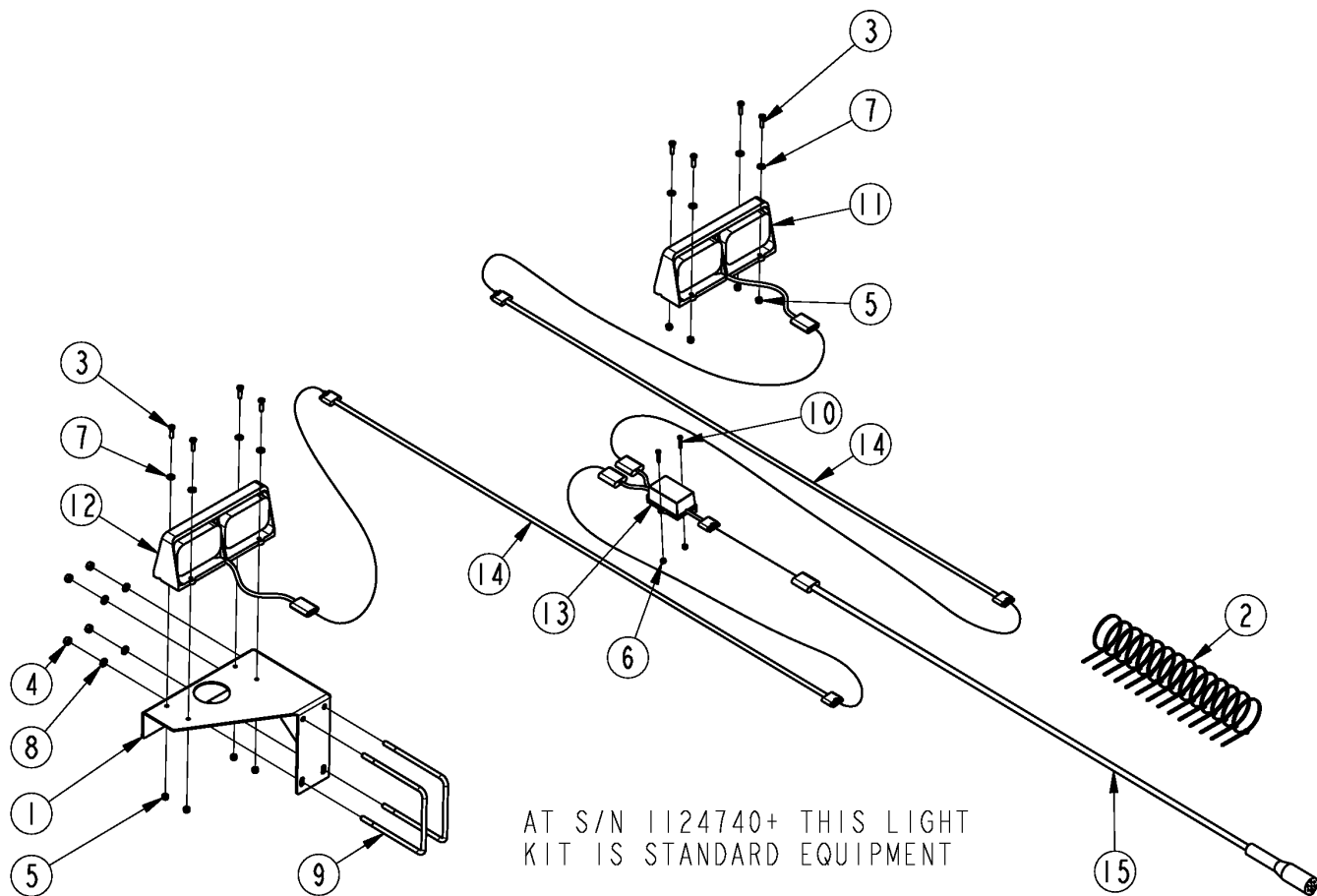
37400

Hitch & Reservoir Assembly**Applies to DB(M)2660**

Ref	Part No.	Part Description	Comments	Revision
	Dwg 37400	Image No.		
1.	300-318D	HITCH BUSHING		
2.	312-821D	BSHG 1 1/4ODX1 1/32IDX2 1/16LG		
3.	316-099D	PIN HTCH C2-C3 10.25 L		
4.	316-100D	HITCH SPACER		
5.	316-153H	WLDMT. PARKING STAND		
6.	316-293H	HITCH AND RESERVOIR WELD. DB		
7.	800-001C	GREASE ZERK STRAIGHT 1/4-28		
8.	800-066C	DRAIN PLUG 3/4-16 UNF PLATED		
9.	802-017C	HHCS 3/8-16X1 GR5		
10.	802-092C	RHSNB 5/16-18X3/4 GR5		
11.	802-098C	HHCS 1-8X4 1/2 GR5		
12.	803-038C	NUT HEX 1-8 NYLON INSERT PLT		
13.	803-177C	NUT HEX FLG TP LK 5/16-18ZNYCR		
14.	804-012C	WASHER FLAT 3/8 SAE PLT		
15.	804-013C	WASHER LOCK SPRING 3/8 PLT		
16.	805-103C	PIN LINCH 7/16 X 1 3/4		
17.	805-175C	PIN HTCH DTNT .63X3.75 USBL		
18.	816-643C	COVER GASKET HRS		
19.	829-012C	VALVE 1 1/4FNPT BALL POLYPROP		
20.	890-401C	SMV MOUNTING SOCKET		
21.	891-149C	FILLER CAP W/STRAINER ASSY		

Light Kit DB2660

Applies to DB(M)2660



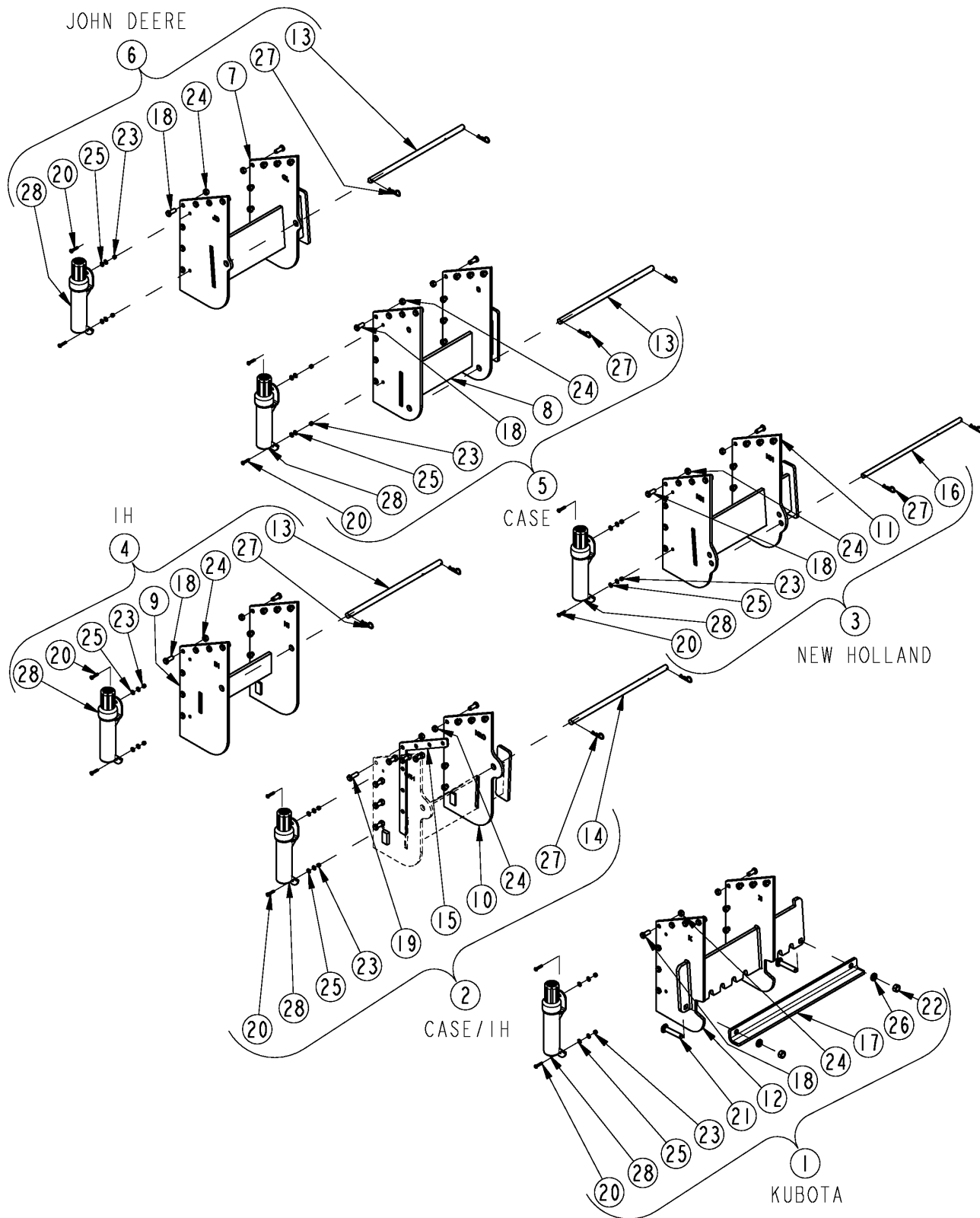
70035

Light Kit DB2660**Applies to DB(M)2660**

Ref	Part No.	Part Description	Comments	Revision
	Dwg 70035 316-385L	Image No. DB26 LIGHT KIT *		
1.	316-386H	WELDED LIGHT BRACKET		
2.	800-060C	CABLE TIE .19X14.25 3DIA 50LB		
3.	802-005C	HHCS 1/4-20X1 GR5		
4.	803-014C	NUT HEX 3/8-16 PLT		
5.	803-255C	NUT HEX NYLOCK 1/4-20		
6.	803-268C	NUT HEX NYLOCK 10-24 PLT		
7.	804-007C	WASHER FLAT 1/4 SAE PLT		
8.	804-013C	WASHER LOCK SPRING 3/8 PLT		
9.	806-051C	U-BOLT 3/8-16 X 6 1/32 X 7		
10.	842-265C	HHCS #10-24X1 GR5		
11.	891-522C	DUAL LED LIGHT LH	Complete light assembly	
11.	J-37-R	RED LED LENS MODULE	Red lens	
11.	J-37-A	AMBER LED LENS MODULE	Amber lens	
11.	J-AC1-15-B	BLACK LENS COVER	Black lens	
12.	891-523C	DUAL LED LIGHT RH	Complete light assembly	
12.	J-37-R	RED LED LENS MODULE	Red lens	
12.	J-37-A	AMBER LED LENS MODULE	Amber lens	
12.	J-AC1-15-B	BLACK LENS COVER	Black lens	
13.	891-531C	ENHANCE MODULE		
14.	891-784C	LIGHT WIRE HARNESS 5'		
15.	891-786C	LEAD WIRE HARNESS 5'		

Weight Hangers

Applies to DB(M)2660



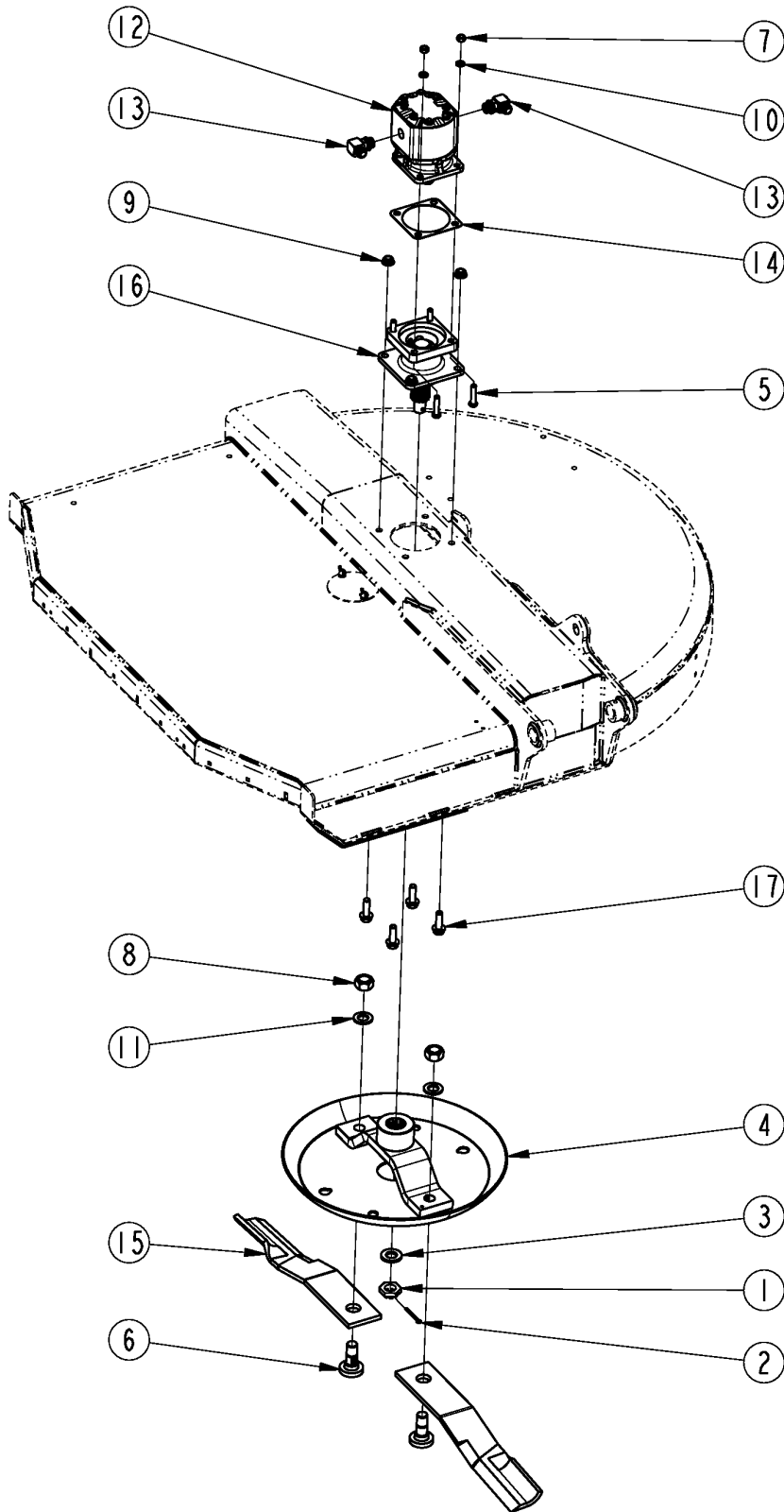
30125

Weight Hangers**Applies to DB(M)2660**

Ref	Part No.	Part Description	Comments	Revision
	dwg30125	Drawing Image Number		
1.	316-276A	WEIGHT HANGER ASSY KUBOTA		
2.	316-233A	WEIGHT HANGER ASSY CASE/IH		
3.	316-234A	WEIGHT HANGER ASSY NH		
4.	316-232A	WEIGHT HANGER ASSY IH		
5.	316-231A	WEIGHT HANGER ASSY CASE		
6.	316-230A	WEIGHT HANGER ASSY JD		
7.	316-225H	WEIGHT HANGER JD		
8.	316-226H	WEIGHT HANGER CASE		
9.	316-227H	WEIGHT HANGER IH		
10.	316-228H	WEIGHT HANGER CASE/IH		
11.	316-235H	WEIGHT HANGER WELDMENT NH		
12.	316-277H	WEIGHT HANGER, KUBOTA		
13.	316-302D	WEIGHT RETAINER PIN LG		
14.	316-304D	WEIGHT RETAINER PIN C/IH LG		
15.	316-305D	WEIGHT BOX SPACER		
16.	316-312D	WEIGHT RETAINER PIN NH		
17.	316-372D	KUBOTA WEIGHT RETAINER		
18.	802-034C	HHCS 1/2-13X1 1/4 GR5		
19.	802-091C	HHCS 1/2-13X1 1/2 GR5		
20.	802-224C	HHCS 1/4-20X1 1/4 GR5		
21.	802-449C	RHSNB 5/8-11X3 1/2 GR5		
22.	803-024C	NUT LOCK 5/8-11 PLT		
23.	803-255C	NUT HEX NYLOCK 1/4-20		
24.	803-342C	NUT HEX TOP LOCK 1/2-13 PLT	S/N 908310+	
24.	803-169C	NUT HEX FLG LOCK 1/2-13 PLT	S/N 908309-	
25.	804-007C	WASHER FLAT 1/4 SAE PLT		
26.	804-022C	WASHER LOCK SPRING 5/8 PLT		
27.	805-143C	PIN HAIR COTTER .120 PLT		
28.	816-504C	MANUAL STORAGE CONTAINER		

Blade Drive

Applies to DB(M)2660



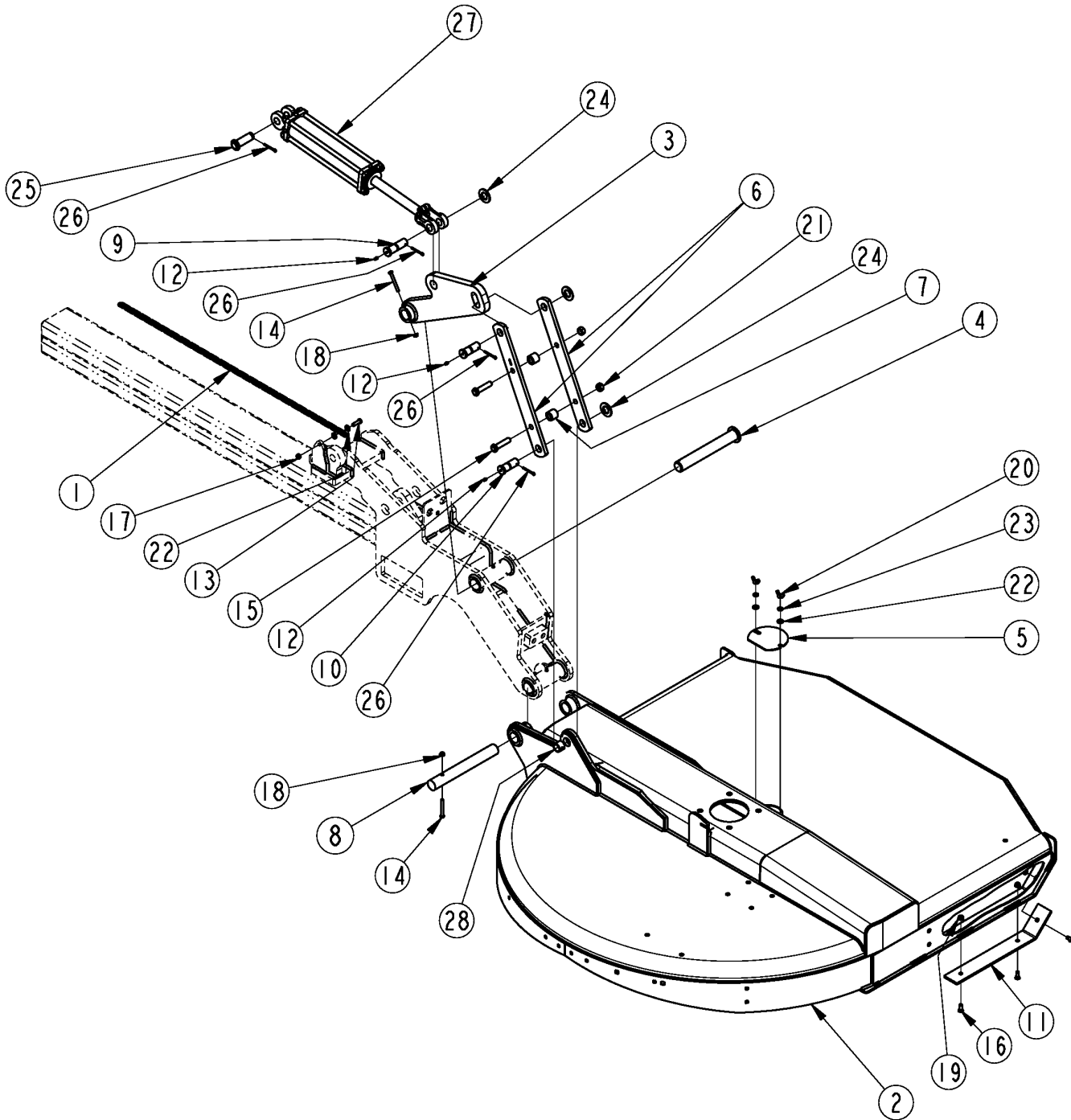
37402

Blade Drive**Applies to DB(M)2660**

Ref	Part No.	Part Description	Comments	Revision
	Dwg 37402	Drawing Image Number		
1.	82200555	CO NUT, CASTLE M30 X 2		
2.	84700146	CO COTTER PIN B6 X 60		
3.	139710100	CO BLANK WASHER		
4.	316-124H	DISHPAN WELDMENT SPCL-HUB		
5.	802-038C	HHCS 1/2-13X2 1/4 GR5		
6.	802-277C	BLD BLT 1 1/8-12X3.44 W/.25KEY		
7.	803-020C	NUT HEX 1/2-13 PLT		
8.	803-170C	NUT HEX TOP LOCK 1 1/8-12 PLT		
9.	803-263C	NUT HEX FLANGE LOCK 5/8-11 PLT		
10.	804-015C	WASHER LOCK SPRING 1/2 PLT		
11.	804-147C	WASHER FLAT 1" HARDENED		
12.	810-314C	HYD MOTOR ULTRA #3ML180A5792		
13.	811-411C	EL 1 1/16MJIC 1 1/16MORB		
14.	816-182C	GASKET - MOTOR		
15.	820-112C	CUTTER BLADE 1/2X4X25 CW		
16.	826-110C	SPINDLE HUB ASSY		
17.	842-237C	HFS 5/8-11X2 GR8		

Deck Link & Cylinder

Applies to DB(M)2660



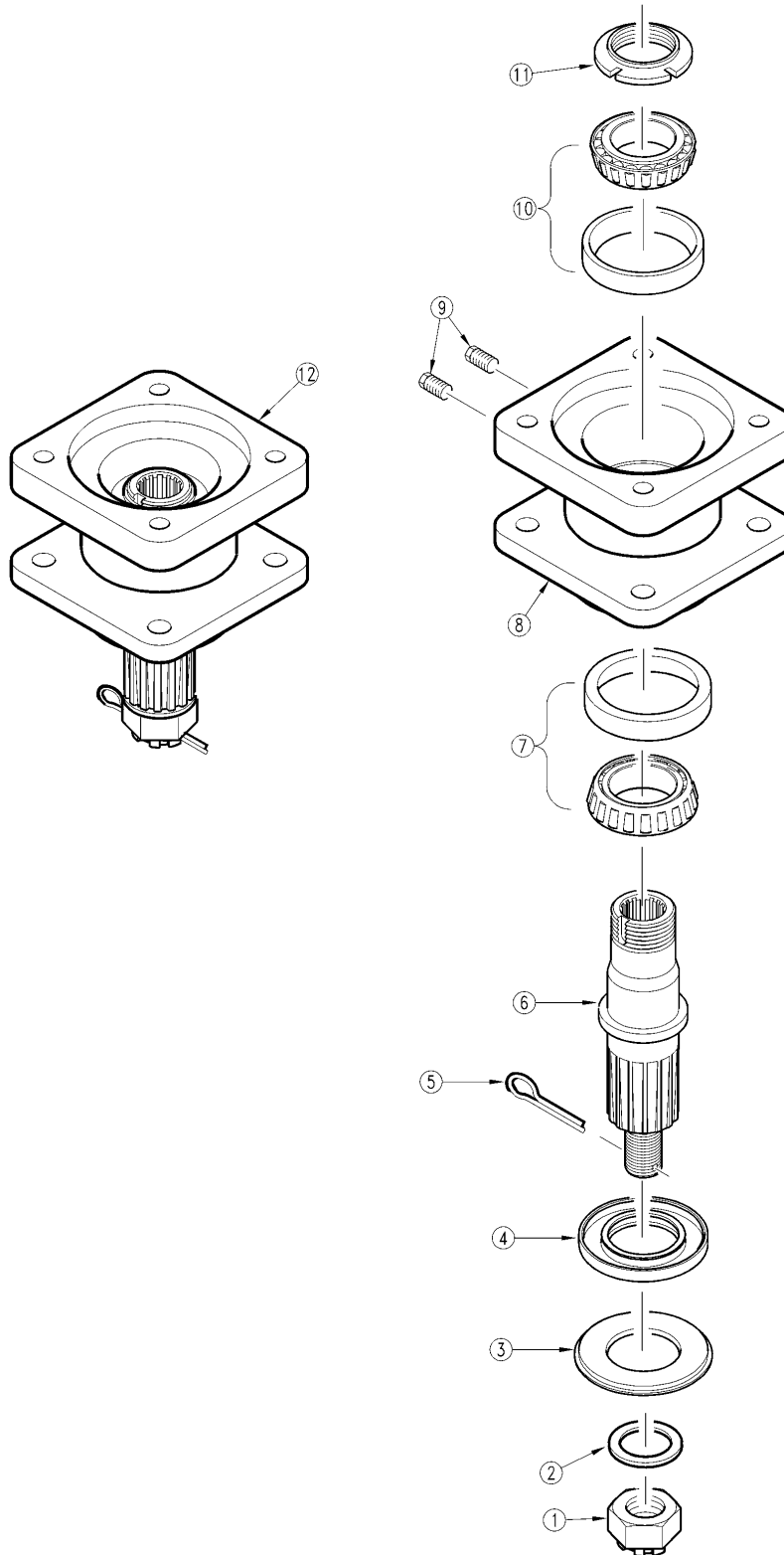
37417

Deck Link & Cylinder**Applies to DB(M)2660**

Ref	Part No.	Part Description	Comments	Revision
	dwg37417	Drawing Image Number		
1.	316-034D	TRANSPORT CHAIN		
2.	316-302H	DB2660 DECK WELDMENT		
3.	316-306H	EXTENSION ARM LINK		
4.	316-324H	LINK PIVOT PIN		
5.	316-400D	BLADE BOLT ACCESS COVER NARROW		
6.	316-422D	DECK ANGLE LINKAGE		
7.	316-423D	TUBE RND 1 1/4X9/32WX1.06		
8.	316-430D	DECK PIVOT PIN		
9.	316-431D	PIN CLVS 1.0X2.78 USBL GRS		
10.	316-432D	PIN CLVS 1.0X2.22 USBL GRS		
11.	326-221D	SKID SHOE		
12.	800-080C	GREASE ZERK 1/4-28 THD FORMING		
13.	802-079C	HHCS 3/8-16X1 1/4 GR5		
14.	802-197C	HHCS 5/16-18X2 3/4 GR5		
15.	802-281C	HHCS 5/8-11X2 3/4 GR5		
16.	802-603C	PLOW 3/8-16X1 GR5		
17.	803-013C	NUT LOCK 3/8-16 PLT		
18.	803-177C	NUT HEX FLG TP LK 5/16-18ZNYCR		
19.	803-198C	NUT HEX WHIZ 3/8-16 PLT		
20.	803-231C	NUT WING 3/8-16 PLT		
21.	803-271C	NUT HEX TOP LOCK 5/8-11 PLT		
22.	804-012C	WASHER FLAT 3/8 SAE PLT		
23.	804-013C	WASHER LOCK SPRING 3/8 PLT		
24.	804-029C	WASHER FLAT 1 SAE		
25.	805-004C	PIN CLVS 1.0X2.75 USBL		
26.	805-017C	PIN COTTER 3/16 X 1 3/4 PLT		
27.	810-312C	CYL 3X12X1.25 ROD (TIE ROD)		
28.	890-005C	BUSHING CYL 1 1/4 X 1 X 1		

Spindle Hub Assembly (826-110C)

Applies to DB(M)2660



12276

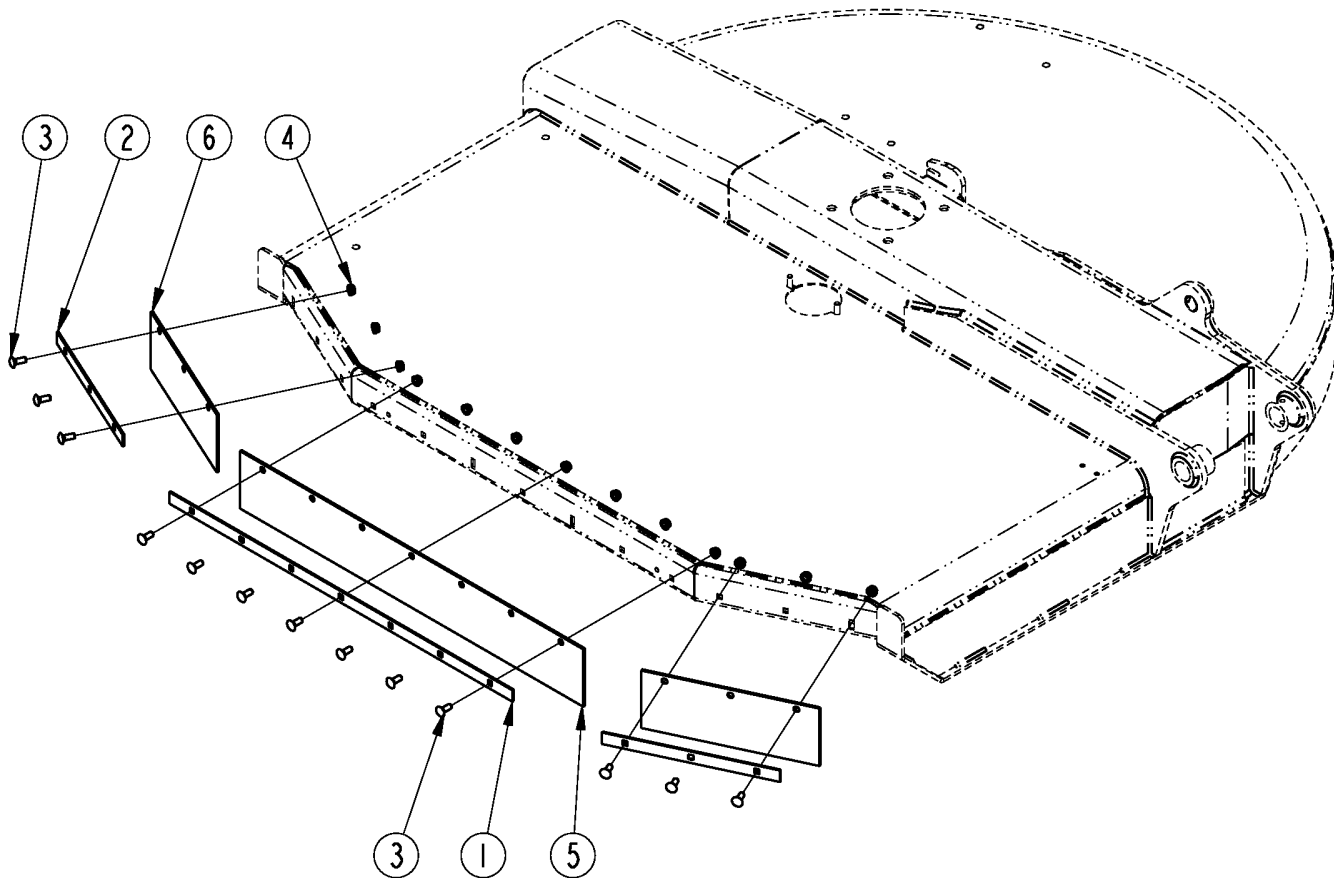
Spindle Hub Assembly (826-110C)

Applies to DB(M)2660

Ref	Part No.	Part Description	Comments	Revision
	Dwg 12276 826-110C	Drawing Image Number SPINDLE HUB ASSY *		
1.	8.2.2.00555	CO NUT, CASTLE M30 X 2		
2.	0.139.7101.00	CO BLANK WASHER		
3.	0.139.7100.00	CO SEAL RETAINER		
4.	8.7.1.01107	CO SEAL		
5.	8.4.7.00146	CO COTTER PIN B6 X 60		
6.	0.772.3000.00	CO SPLINE SHAFT		
7.	822-214C	BRG CUP/CONE SET 30210		
8.	0.772.1303.00	CO SPINDLE HOUSING		
9.	8.6.5.00006	CO OIL PLUG 3/8		
10.	8.0.9.00143	CO BEARING 30209 RTA25		
11.	0.278.7104.00	CO NUT LOCK M45 X 1.5		
12.	826-110C	SPINDLE HUB ASSY		

Guard: Front Rubber

Applies to DB(M)2660



37403

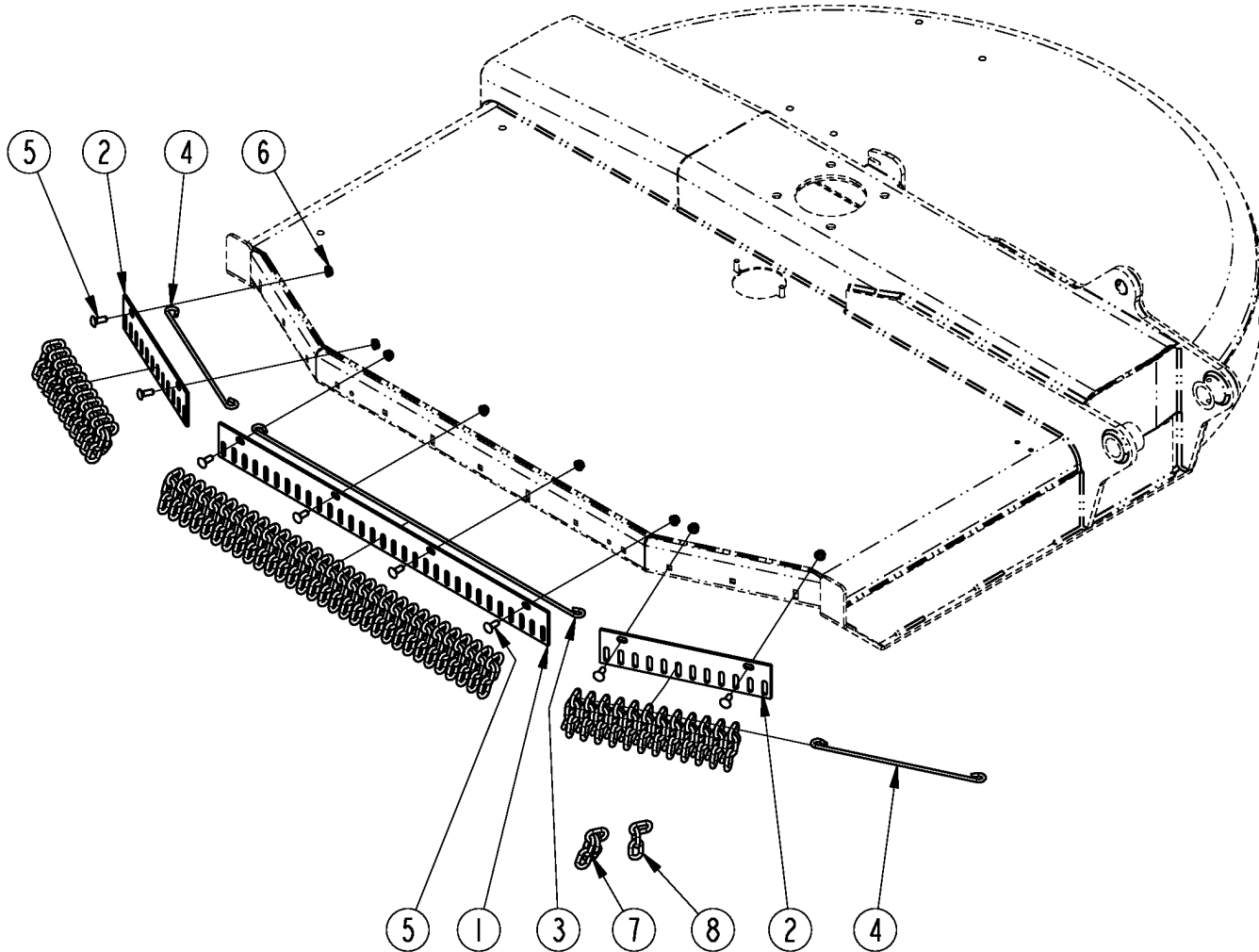
Guard: Front Rubber

Applies to DB(M)2660

Ref	Part No.	Part Description	Comments	Revision
	dwg37403	Drawing Image Number		
	312-844A	FRONT RUBBER COMPLETE		
	*			
1.	326-214D	FLAT STRAP		
2.	326-215D	FLAT STRAP		
3.	802-015C	RHSNB 3/8-16X1 GR5		
4.	803-198C	NUT HEX WHIZ 3/8-16 PLT		
5.	816-437C	RUBBER DEFLECTOR		
6.	816-438C	RUBBER DEFLECTOR		

Guard: Front Single & Double Chain

Applies to DB(M)2660



37404

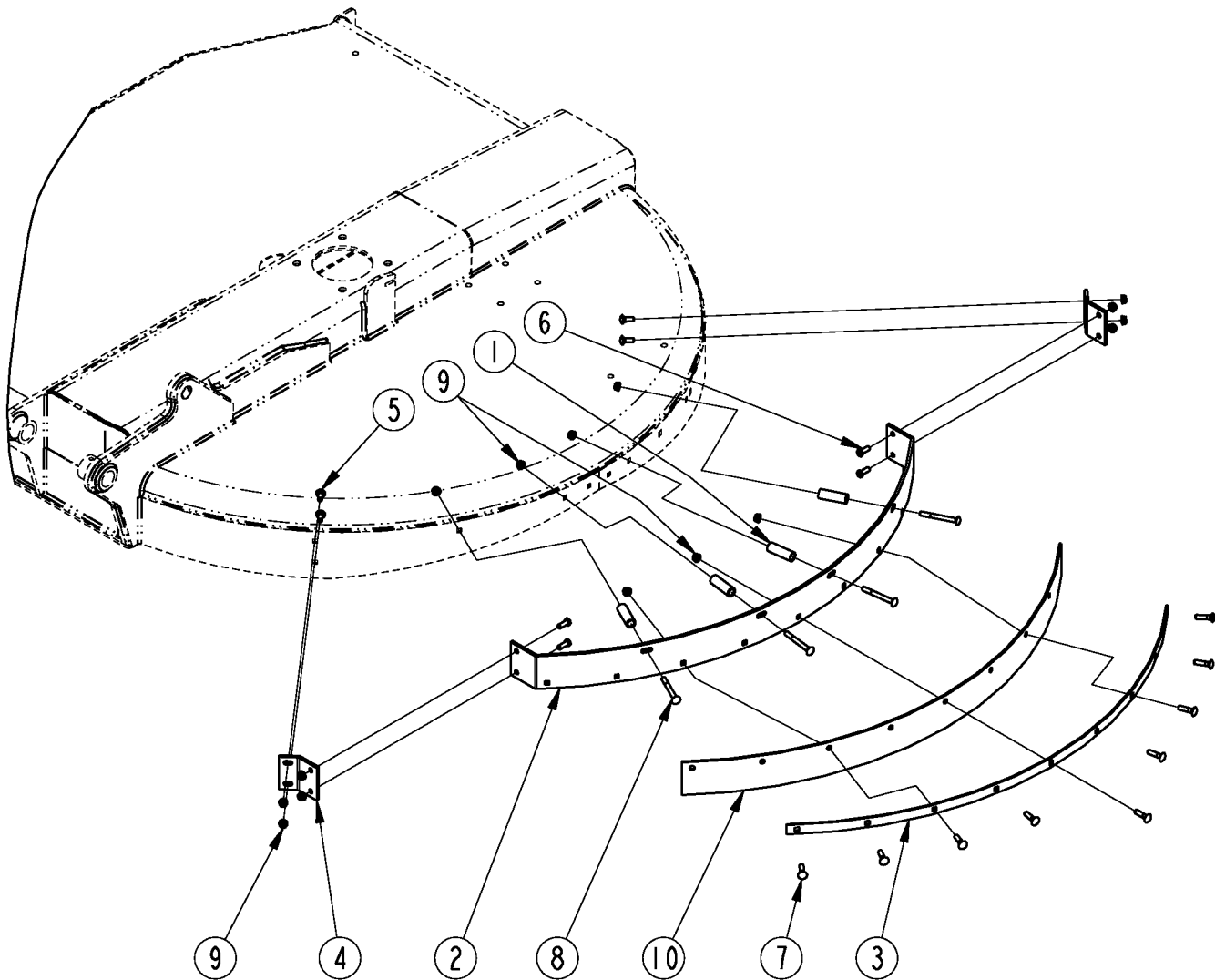
Guard: Front Single & Double Chain

Applies to DB(M)2660

Ref	Part No.	Part Description	Comments	Revision
	dwg37404	Drawing Image Number		
	312-845A	FRONT CHAIN GUARD COMPLETE	SINGLE CHAIN	
	316-319A	FRONT DOUBLE CHAIN GUARD	DOUBLE CHAN	
	*			
1.	326-219D	FRONT CHAIN GUARD BRKT. CTR.		
2.	326-220D	FRONT CHAIN GUARD BRKT. OUT.		
3.	326-223D	ROUND ROD .25 X 37.29		
4.	326-224D	ROUND ROD .25 X 16.50		
5.	802-015C	RHSNB 3/8-16X1 GR5		
6.	803-198C	NUT HEX WHIZ 3/8-16 PLT		
7.	890-341C	CHAIN WELD 5/16 GR 43 X 5 LINK		
8.	890-485C	CHAIN WELD 5/16 GR 43 X 3 LINK		

Guard: Rear Rubber

Applies to DB(M)2660



37405

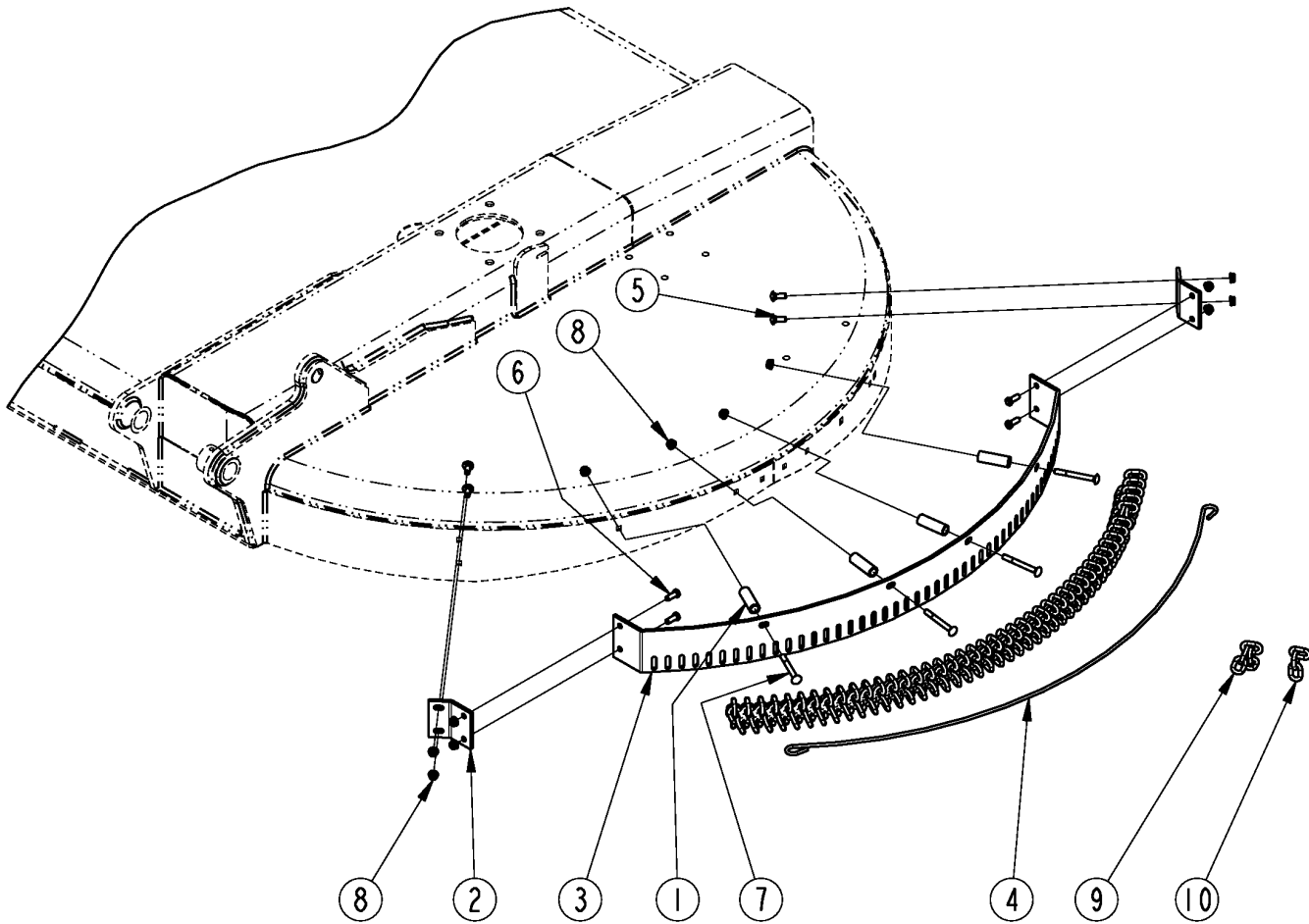
Guard: Rear Rubber

Applies to DB(M)2660

Ref	Part No.	Part Description	Comments	Revision
	dwg37405	Drawing Image Number		
	316-336A	REAR RUBBER GUARD		
	*			
1.	312-948D	DEFLECTOR SPACER		
2.	312-952D	REAR RUBBER DEF. RCR15 & 1660		
3.	312-953D	DEFLECTOR STRAP RCR15 & 1660		
4.	316-462D	REAR GUARD BRACKET		
5.	802-015C	RHSNB 3/8-16X1 GR5		
6.	802-017C	HHCS 3/8-16X1 GR5		
7.	802-453C	RHSNB 3/8-16X1 1/2 GR5		
8.	802-647C	RHSNB 3/8-16X3 1/2 GR5		
9.	803-198C	NUT HEX WHIZ 3/8-16 PLT		
10.	816-310C	RUBBER DEFLECTOR RCR15 & 1660		

Guard: Rear Single & Double Chain S/N 1058899-

Applies to DB(M)2660



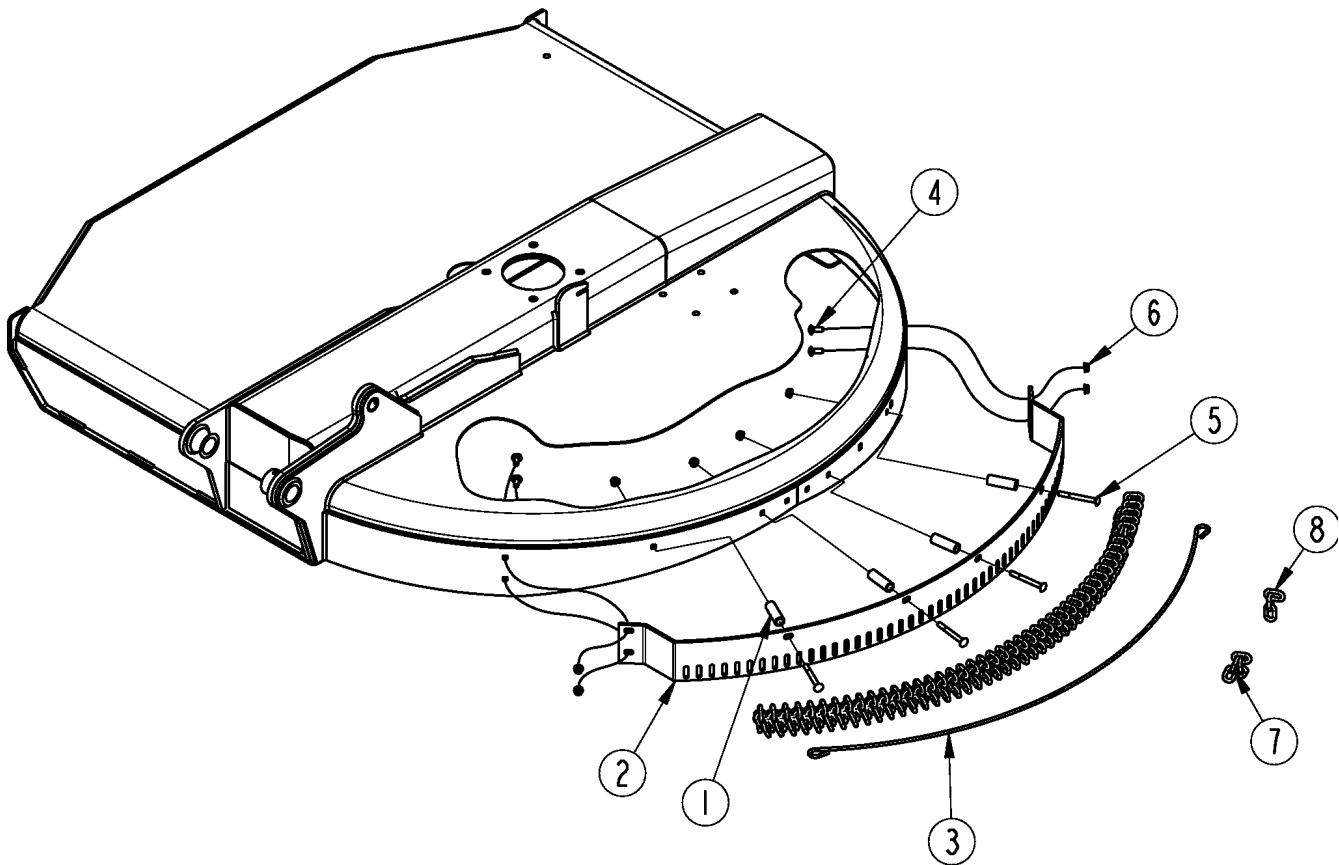
37406

Guard: Rear Single & Double Chain S/N 1058899-**Applies to DB(M)2660**

Ref	Part No.	Part Description	Comments	Revision
	Dwg 37406	Drawing Image Number		
	316-335A	REAR CHAIN GUARD	SINGLE CHAIN	
	316-318A	REAR DOUBLE CHAIN GUARD	DOUBLE CHAIN	
	*			
1.	312-948D	DEFLECTOR SPACER		
2.	316-462D	REAR GUARD BRACKET		
3.	326-181D	REAR CHAINGUARD BRACKET		
4.	326-182D	CHAIN ROD 1/4 X 56		
5.	802-015C	RHSNB 3/8-16X1 GR5		
6.	802-017C	HHCS 3/8-16X1 GR5		
7.	802-647C	RHSNB 3/8-16X3 1/2 GR5		
8.	803-198C	NUT HEX WHIZ 3/8-16 PLT		
9.	890-341C	CHAIN WELD 5/16 GR 43 X 5 LINK		
10.	890-485C	CHAIN WELD 5/16 GR 43 X 3 LINK		

Guard: Rear Single & Double Chain S/N 1058900+

Applies to DB(M)2660



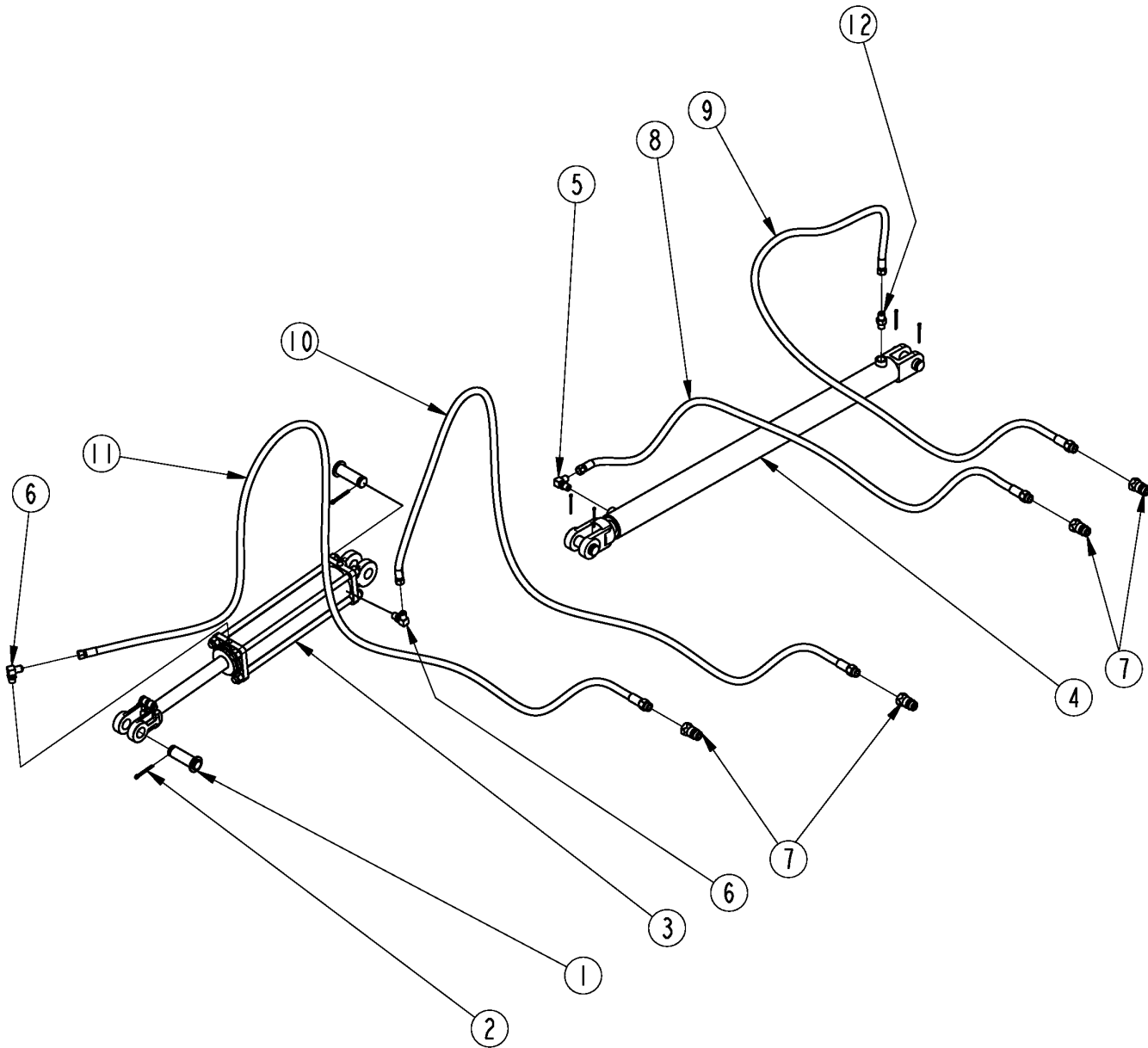
39909

Guard: Rear Single & Double Chain S/N 1058900+**Applies to DB(M)2660**

Ref	Part No.	Part Description	Comments	Revision
	Dwg 37406	Drawing Image Number		
	316-335A	REAR CHAIN GUARD	Single chain	
	316-318A	REAR DOUBLE CHAIN GUARD	Double chain	
	*			
1.	312-948D	DEFLECTOR SPACER		
2.	326-181D	REAR CHAINGUARD BRACKET	Redesigned part	
3.	326-182D	CHAIN ROD 1/4 X 56		
4.	802-015C	RHSNB 3/8-16X1 GR5		
5.	802-647C	RHSNB 3/8-16X3 1/2 GR5		
6.	803-198C	NUT HEX WHIZ 3/8-16 PLT		
7.	890-341C	CHAIN WELD 5/16 GR 43 X 5 LINK		
8.	890-485C	CHAIN WELD 5/16 GR 43 X 3 LINK		

Cylinders & Hoses

Applies to DB(M)2660



37428

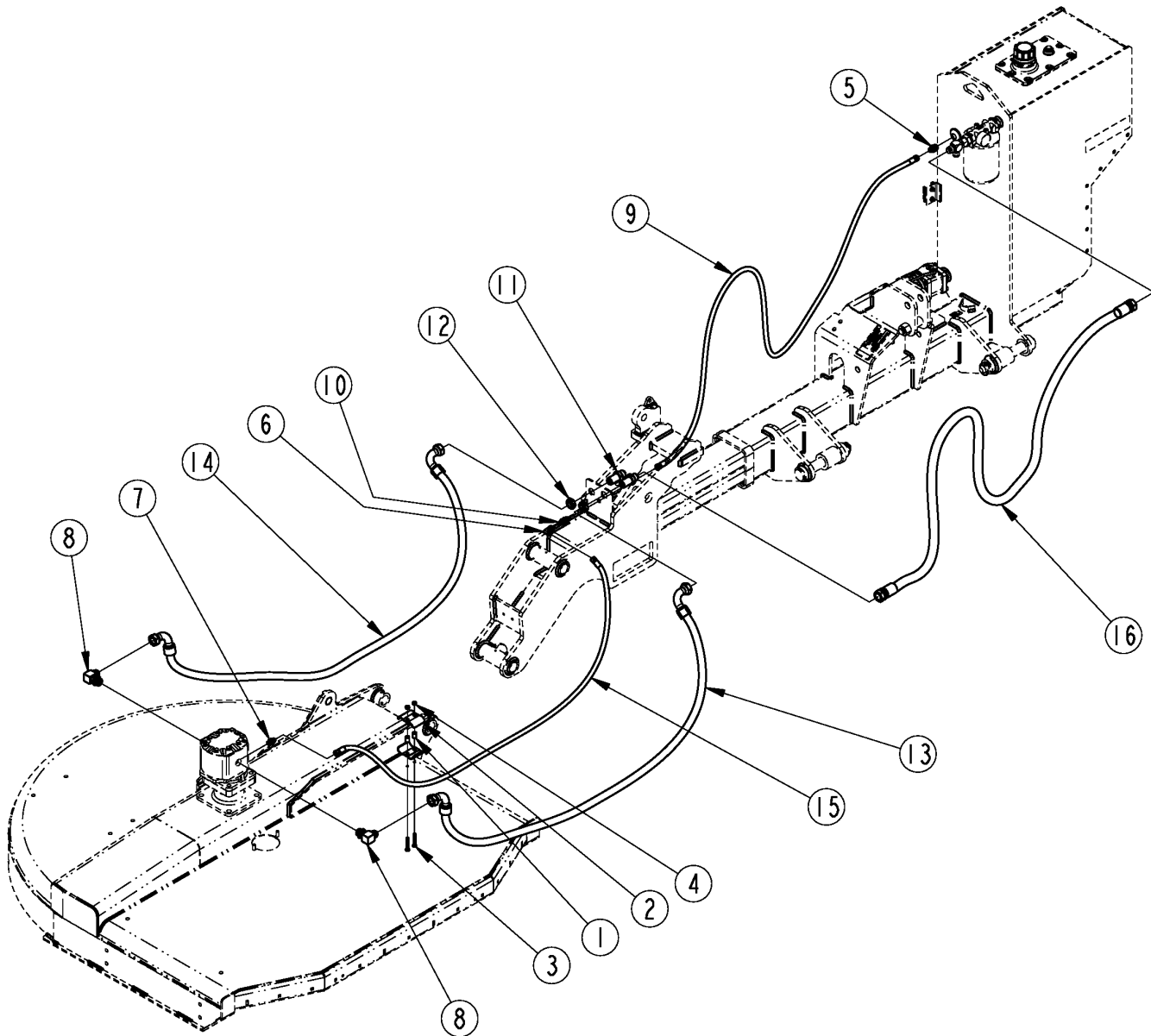
Cylinders & Hoses

Applies to DB(M)2660

Ref	Part No.	Part Description	Comments	Revision
	dwg37428	Drawing Image Number		
1.	805-004C	PIN CLVS 1.0X2.75 USBL		
2.	805-017C	PIN COTTER 3/16 X 1 3/4 PLT		
3.	810-312C	CYL 3X12X1.25 ROD (TIE ROD)		
4.	810-944C	CYL 2X32X1.25 - WELDED		
5.	811-065C	EL 9/16MJIC 9/16MORB		
6.	811-337C	OREL 1/16 9/16MJIC 9/16MORB		
7.	811-394C	CP 3/4FORB MALE QD POPPET TYPE		
8.	841-189C	HH3/8R2 074 3/4MORB 9/16FJIC		
9.	841-190C	HH3/8R2 087 3/4MORB 9/16FJIC		
10.	851-288C	HH3/8R2 112 3/4MORB 9/16FJIC		
11.	851-289C	HH3/8R2 125 3/4MORB 9/16FJIC		
12.	851-406C	ORAD 1/16 9/16MORB 9/16MJIC		

Deck Motor Hydraulics

Applies to DB(M)2660



37425

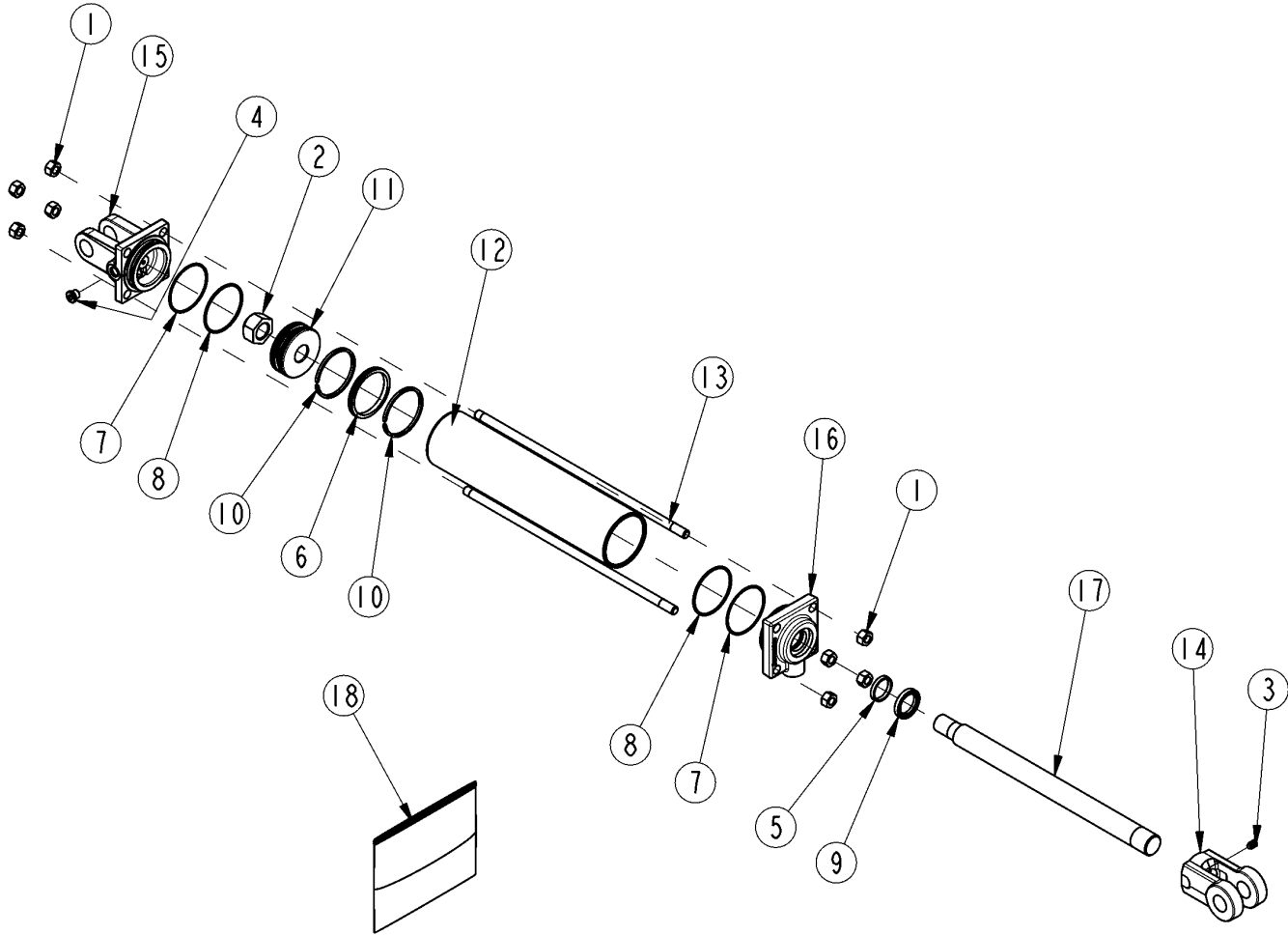
Deck Motor Hydraulics

Applies to DB(M)2660

Ref	Part No.	Part Description	Comments	Revision
	dwg37425	Drawing Image Number		
1.	316-106D	BUSH .54 OD X 0.36 ID X 3/4LG		
2.	502-068D	HYD HOSE CLAMP BRACKET		
3.	802-115C	HHCS 5/16-18X2 GR5		
4.	803-084C	NUT HEX NYLOCK 5/16-18 PLT		
5.	811-133C	AD 9/16MJIC 3/4MORB		
6.	811-169C	EL 9/16MJIC 9/16FJIC		
7.	811-170C	AD 9/16MORB 9/16MJIC		
8.	811-411C	EL 1 1/16MJIC 1 1/16MORB		
9.	811-800C	HH3/8R1 106 9/16FJIC		
10.	841-080C	AD 9/16MJIC BLKHD WITH LN		
11.	841-391C	AD BKHD 1 1/16MJIC		
12.	841-392C	NUT LOCK 1 1/16-12 BULKHEAD		
13.	851-287C	HH3/4R17 075 1.06FJIC 2-90		
14.	851-287C	HH3/4R17 075 1.06FJIC 2-90		
15.	851-290C	HH3/8R1 069 9/16FJIC TUFF COAT		
16.	851-359C	HH3/4R9 103 1.06FJIC		

Hydraulic Cylinder (810-312C) Lion

Applies to DB(M)2660



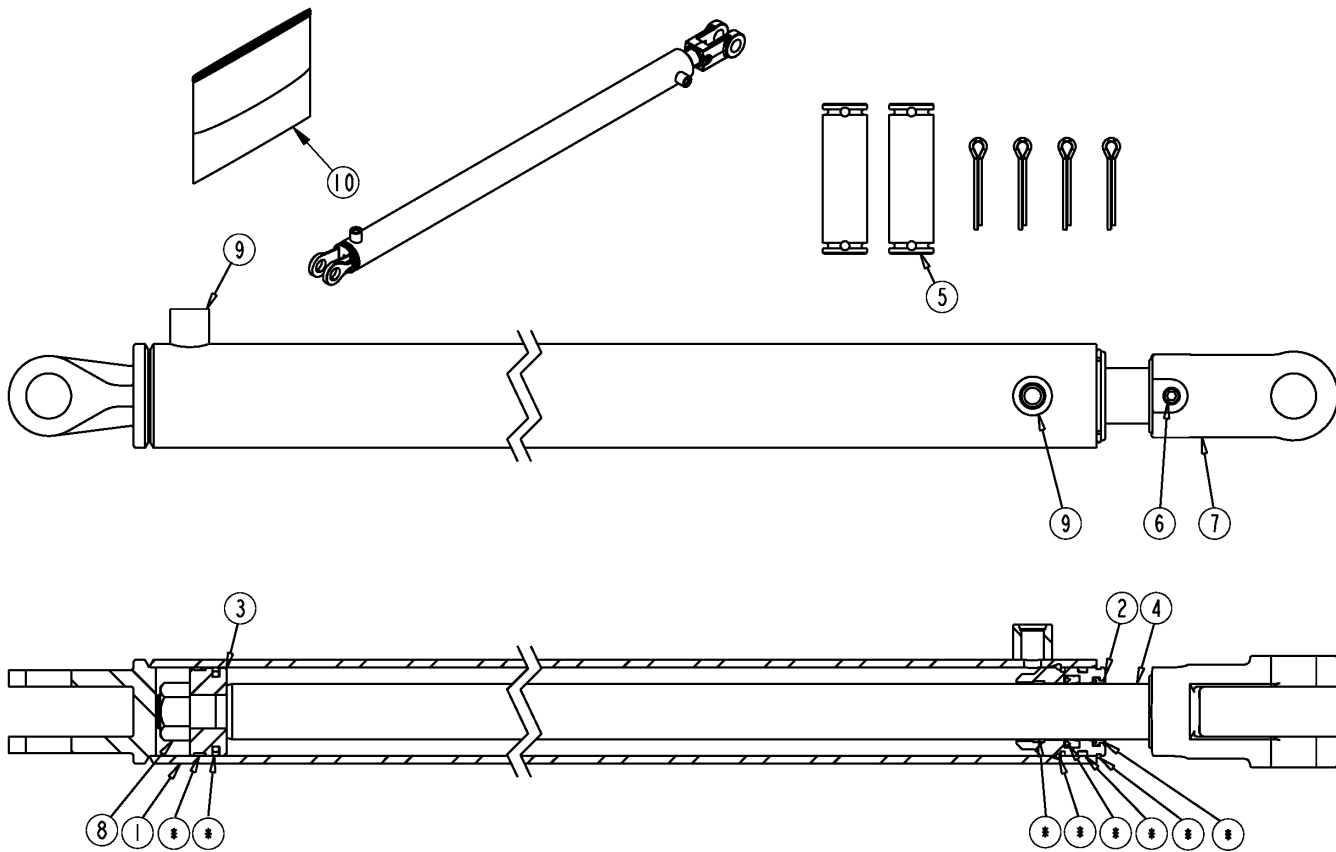
25902

Hydraulic Cylinder (810-312C) Lion**Applies to DB(M)2660**

Ref	Part No.	Part Description	Comments	Revision
	Dwg 25902	Drawing Image Number		
	810-312C	CYL 3X12X1.25 ROD (TIE ROD) *		
1.	803-020C	NUT HEX 1/2-13 PLT		
2.	130560	MON PISTON NUT		
3.	801-023C	SCREW SET SH 3/8-16X3/8 TYPE C		
4.	186561	PLUG 9/16-18UNF MORB SOCKET HD		
5.	N/A	MON ROD SEAL	Only Found in Kit #18	
6.	N/A	MON PISTON SEAL (PSP)	Only Found in Kit #18	
7.	N/A	MON END CAP B/U WASHER	Only Found in Kit #18	
8.	N/A	MON END CAP O-RING	Only Found in Kit #18	
9.	N/A	SEAL WIPER ROD	Only Found in Kit #18	
10.	N/A	MON PISTON WEAR RING	Only Found in Kit #18	
11.	258821	MON PISTON 3.00-1.0-TSS-ISO-WR		
12.	491742	MON CYL TUBE		
13.	492282	MON TIE ROD		
14.	492652	LION ROD CLEVIS 1 1/4 (1PIN)		
15.	492721	LION CLEVIS CAP 3.0-9/16 ORB		
16.	494383	MON ROD CAP3.00-1.25-9/16ORBTS		
17.	492870	MON CYL ROD		
18.	810-887C	MON SEAL KIT 661702		

Hydraulic Cylinder (810-944C) Lion

Applies to DB(M)2660



74848

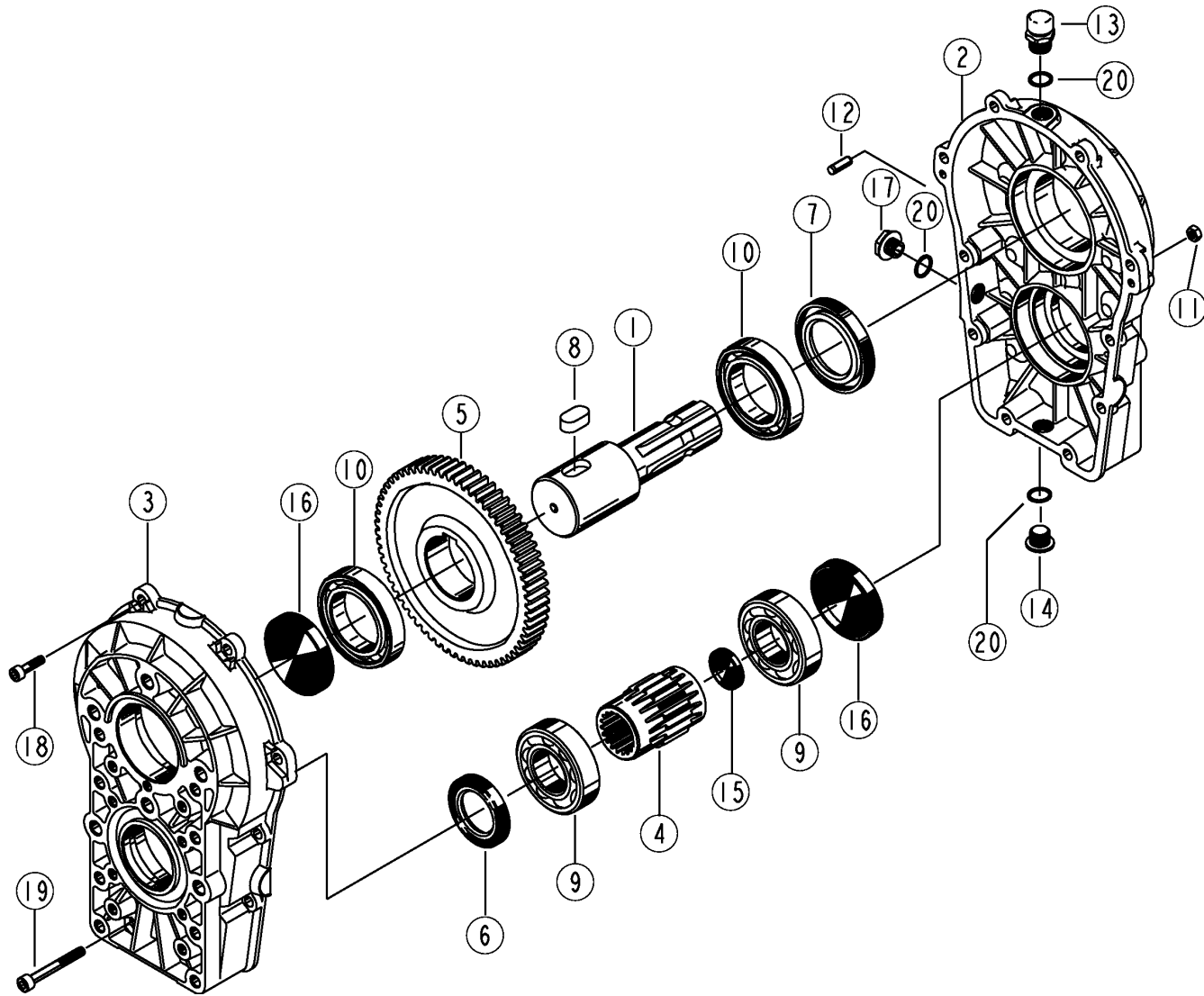
Hydraulic Cylinder (810-944C) Lion

Applies to DB(M)2660

Ref	Part No.	Part Description	Comments	Revision
	Dwg 74848	Image No.		
	810-944C	CYL 2X32X1.25 - WELDED *	Complete Assembly	
1.	755177	MON TUBE WELDT 2.00-32.00-RR-W		
2.	258679	MON CYL HD 2.00-1.25-RR-TSS-W		
3.	258851	MON PISTON 2.00-.75-TSS-ISO-WR		
4.	755178	MN ROD CYL 1.25-32.00-0.75-1.1		
5.	235005	MON PIN KIT 1.00C/W COTTER PIN		
6.	148000	MON SET SCREW 3/8INC ONE PIECE		
7.	492650	LION ROD CLEVIS 1 1/8-12UNF		
8.	130556	MON PISTON NUT		
9.	174139	MON THD PROT*9/16-18UN ORB Z		
10.	850-086C	SEAL KIT 810-944C		

Hydraulic Gear Increaser 1000 RPM (826-138C) Bondioli

Applies to DB(M)2660



37457

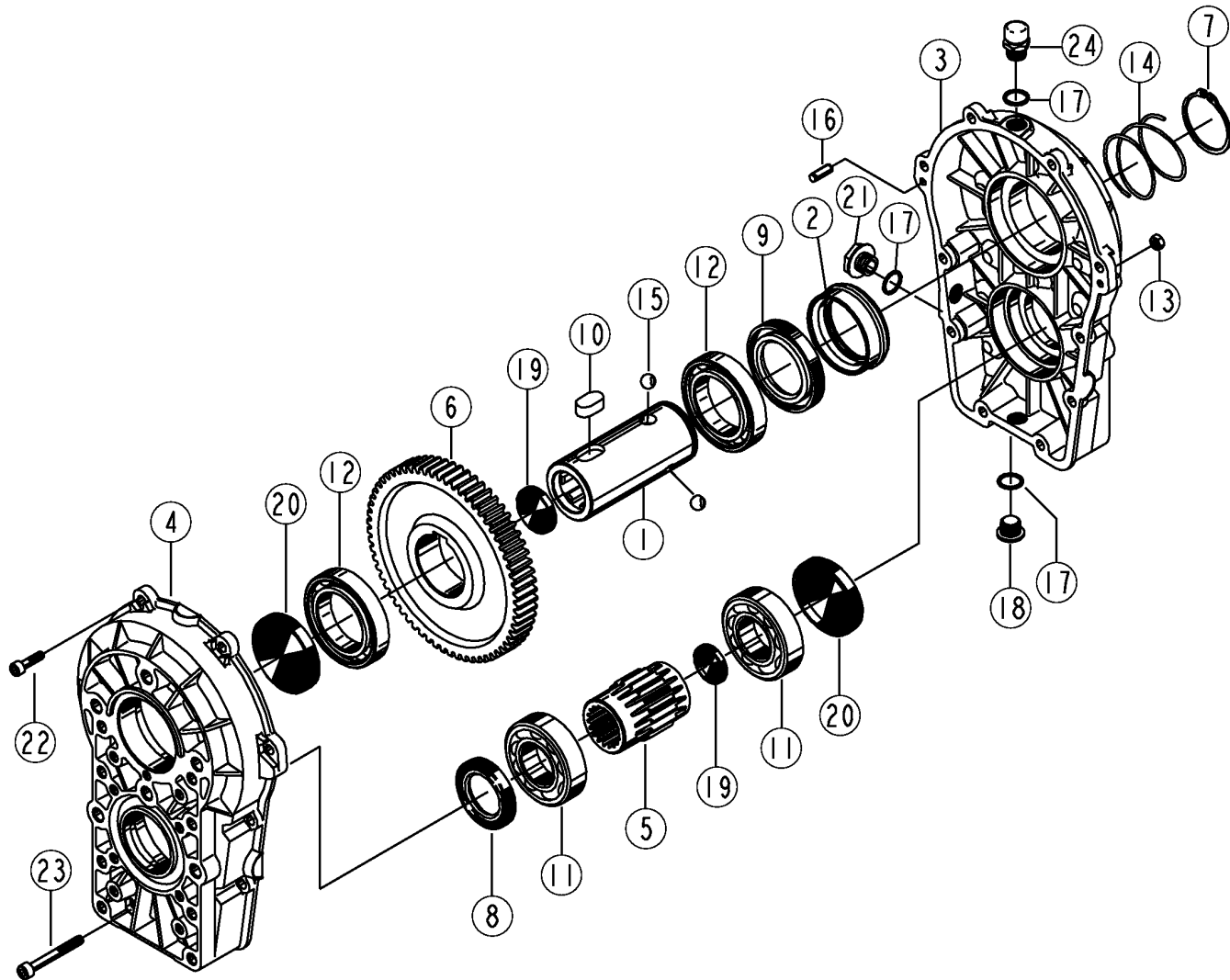
Hydraulic Gear Increaser 1000 RPM (826-138C) Bondioli

Applies to DB(M)2660

Ref	Part No.	Part Description	Comments	Revision
	Dwg 37457	Image No.		
	826-138C	GEARBOX FR3 1:2 SPEEDUP		
1.	2072.003.542	BONDI SHAFT		
2.	2073.001.109	BONDI HOUSING		
3.	2073.002.109	BONDI HOUSING		
4.	2073.010.542	BONDI SHAFT		
5.	2073.009.426	BONDI GEAR		
6.	8050.505.000	BONDI OIL SEAL 45X62X7		
7.	8050.576.000	BONDI OIL SEAL 50X62X7		
8.	8125.418.001	BONDI KEY14X9X30		
9.	8200.284.000	RPBY 9110.345.000		
10.	8200.308.000	BONDI BEARING 6010		
11.	8225.248.000	BONDI NUT M8 UNI 5588		
12.	8575.267.000	BONDI PIN, 6X10 UNI 1707		
13.	8600.142.000	BONDI OIL PLUG, VENT		
14.	8600.149.000	BONDI OIL PLUG		
15.	8600.390.000	BONDI CUP RCA 35		
16.	8600.670.000	BONDI CAP RCA 62		
17.	8625.140.000	BONDI 3/8 OIL PLUG		
18.	8675.188.100	BONDI SCREW M8X25 UNI 5931		
19.	8675.201.100	BONDI SCREW M8X65 UNI 5931		
20.	8075.200.000	BONDI OIL SEAL 19X13X3		

Hydraulic Gear Increaser 1000 RPM (826-492C) Bondioli

Applies to DB(M)2660



37452

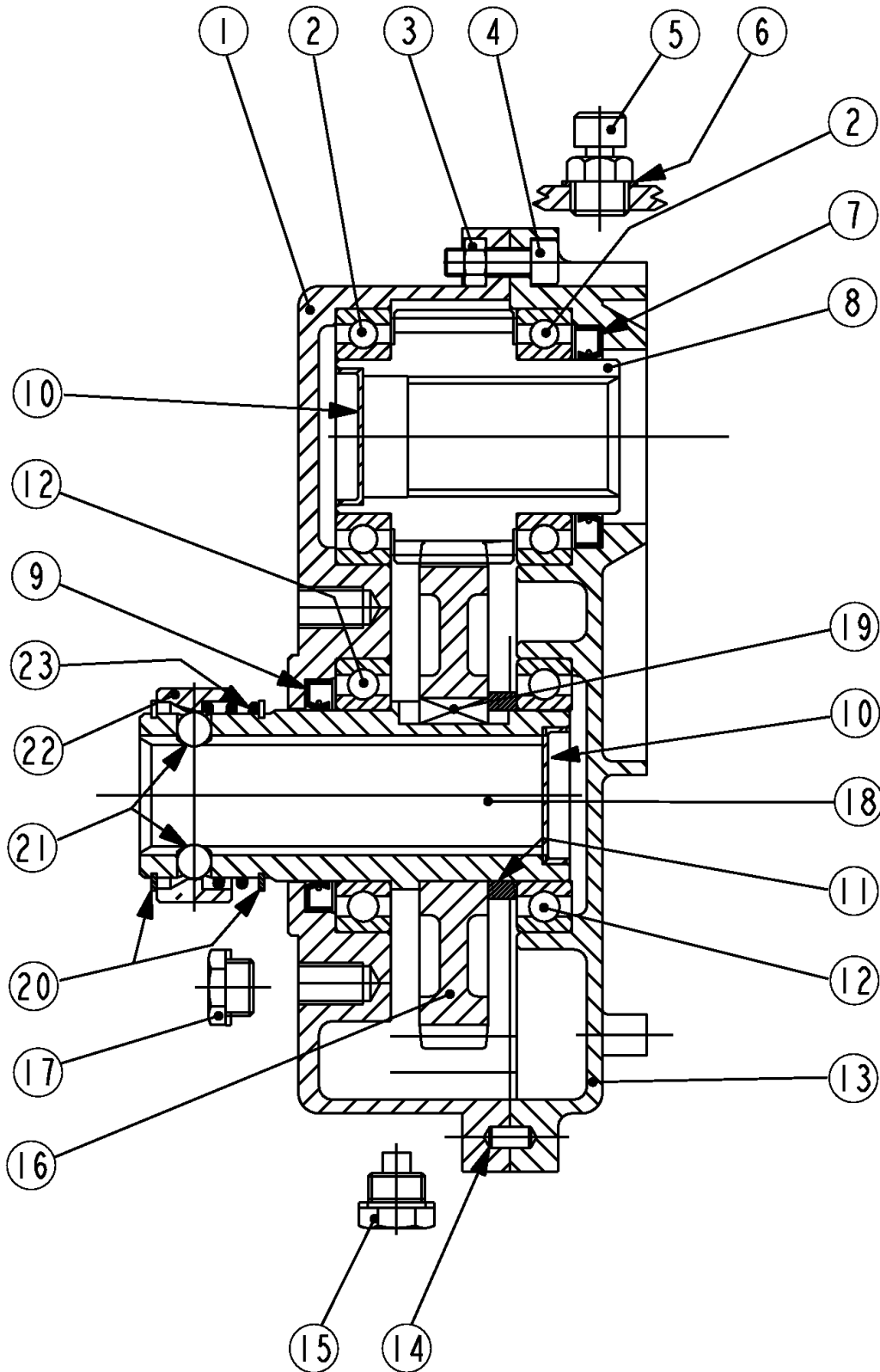
Hydraulic Gear Increaser 1000 RPM (826-492C) Bondioli

Applies to DB(M)2660

Ref	Part No.	Part Description	Comments	Revision
	Dwg 37452	Image No.		
	826-492C	GEARBOX FR3 1:2.18 SPEEDUP BONDIOLI		
1.	2072.048.542	BONDI SHAFT 1-3/8 Z21		
2.	2072.007.042	BONDI SLEEVE		
3.	2073.001.109	BONDI HOUSING		
4.	2073.002.109	BONDI HOUSING		
5.	2073.010.542	BONDI SHAFT		
6.	2073.009.426	BONDI GEAR		
7.	8025.418.000	BONDI CIRCLIP DIA 50E		
8.	8050.505.000	BONDI OIL SEAL 45X62X7		
9.	8050.576.000	BONDI OIL SEAL 50X62X7		
10.	8125.418.001	BONDI KEY14X9X30		
11.	8200.284.000	RPBY 9110.345.000		
12.	8200.308.000	BONDI BEARING 6010		
13.	8225.248.000	BONDI NUT M8 UNI 5588		
14.	8375.710.000	BONDI SPRING		
15.	8525.350.000	BONDI BALL 1/2"		
16.	8575.267.000	BONDI PIN, 6X10 UNI 1707		
17.	8075.200.000	BONDI OIL SEAL 19X13X3		
18.	8600.148.000	BONDI OIL PLUG 3/8" GAS		
19.	8600.390.000	BONDI CUP RCA 35		
20.	8600.670.000	BONDI CAP RCA 62		
21.	8625.140.000	BONDI 3/8 OIL PLUG		
22.	8675.188.100	BONDI SCREW M8X25 UNI 5931		
23.	8675.201.100	BONDI SCREW M8X65 UNI 5931		
24.	8600.142.000	BONDI OIL PLUG, VENT		

Hydraulic Gear In increaser 1000 RPM (826-492C) Comer

Applies to DB(M)2660



37450

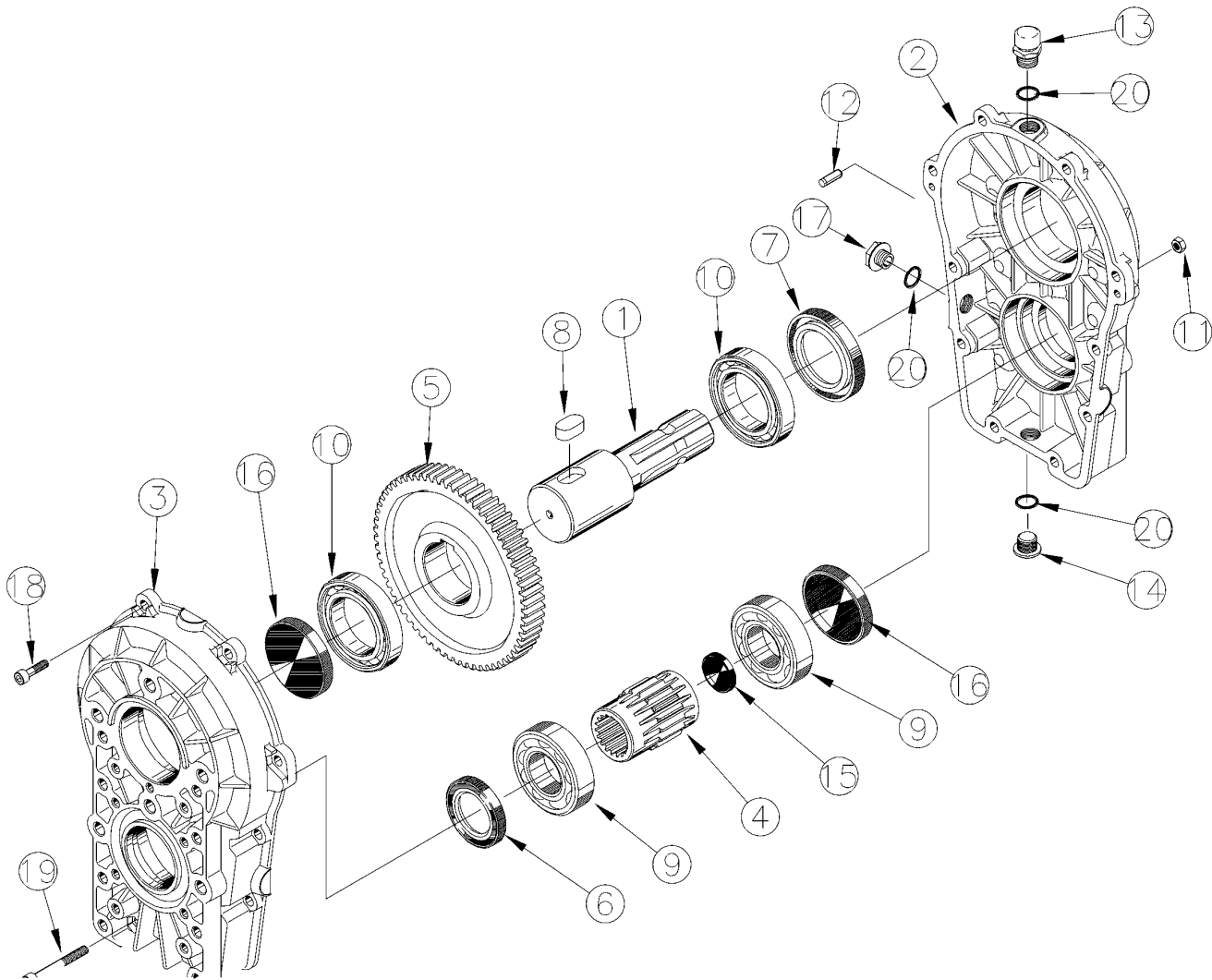
Hydraulic Gear Increaser 1000 RPM (826-492C) Comer

Applies to DB(M)2660

Ref	Part No.	Part Description	Comments	Revision
	Dwg 37450	Image No.		
	826-492C	GEARBOX FR3 1:2.18 SPEEDUP COMER		
1.	1351.001.009	CO INPUT HOUSING		
2.	8.0.1.00715	CO BEARING 6009		
3.	8.2.1.00382	COMER HEX NUT M8 UNI		
4.	8.1.2.00197	CO BOLT M8X25 8,8		
5.	9510.090.000	CO METAL BREATHER 3/8 G		
6.	8.3.0.01353	CO BOLT WASHER 17X22X1.5		
7.	8.7.3.00490	CO OIL SEAL 45X65X8		
8.	1351.030.042	CO PINION (1000 RPM)		
9.	8.7.3.02206	CO OIL SEAL 50X68X8		
10.	8.7.0.01148	CO OIL SEAL PLUG 40 X 7		
11.	1351.015.076	CO SPACER		
12.	8.0.1.00473	RPBY 822-306C		
13.	1351.002.009	CO COVER		
14.	8.4.4.01273	CO SPRING 6X12UNII707		
15.	8.6.8.01194	CO MAGNETIC PLUG 3/8 G NA36/A		
16.	1351.014.026	CO RING GEAR (1000 RPM)		
17.	8.6.5.00447	CO OIL FILLER PLUG TSN 3/8"		
18.	1351.068.042	CO SHAFT		
19.	8.4.1.01256	CO PARALLEL KEY B 12X8X20		
20.	9010.320.000	CO EXTERNAL SNAP RING 48		
21.	8.5.9.00265	CO BALL 3/8 9,52MM		
22.	1351.032.076	CO RETAINING RING		
23.	9290.225.000	CO SPRING 50.5X29.5		

Hydraulic Gear Increaser 540 RPM (826-108C) Bondioli

Applies to DB(M)2660



35078

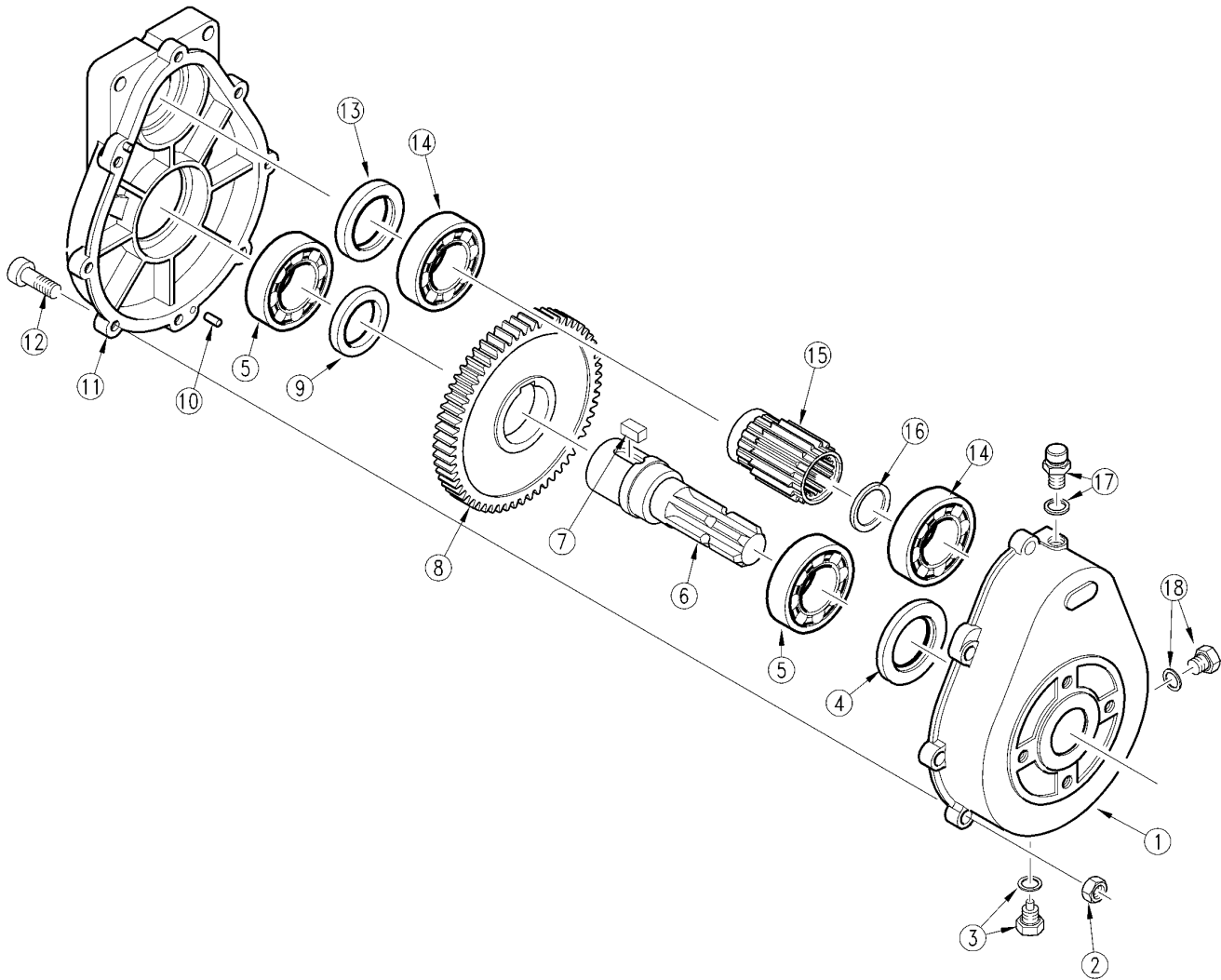
Hydraulic Gear Increaser 540 RPM (826-108C) Bondioli

Applies to DB(M)2660

Ref	Part No.	Part Description	Comments	Revision
	Dwg 35078 826-108C	Drawing Image Number GEARBOX FR3 1:3.7 SPEED UP *		
1.	2072.003.542	BONDI SHAFT		
2.	2073.001.109	BONDI HOUSING		
3.	2073.002.109	BONDI HOUSING		
4.	2073.010.542	BONDI SHAFT		
5.	2073.004.426	BONDI GEAR		
6.	8050.505.000	BONDI OIL SEAL 45X62X7		
7.	8050.576.000	BONDI OIL SEAL 50X62X7		
8.	8125.418.001	BONDI KEY14X9X30		
9.	9110.345.000	CO BALL BRG 6009 45X75X16		
10.	8200.308.000	BONDI BEARING 6010		
11.	8225.248.000	BONDI NUT M8 UNI 5588		
12.	8575.267.000	BONDI PIN, 6X10 UNI 1707		
13.	8600.142.000	BONDI OIL PLUG		
14.	8600.149.000	BONDI OIL PLUG		
15.	8600.390.000	BONDI CUP RCA 35		
16.	8600.670.000	BONDI CAP RCA 62		
17.	8625.140.000	BONDI 3/8 OIL PLUG		
18.	8675.188.100	BONDI SCREW M8X25 UNI 5931		
19.	8675.201.100	BONDI SCREW M8X65 UNI 5931		
20.	8075.200.000	BONDI OIL SEAL 19X13X3		

Hydraulic Gear Increaser 540 RPM (826-108C) Comer

Applies to DB(M)2660



12301

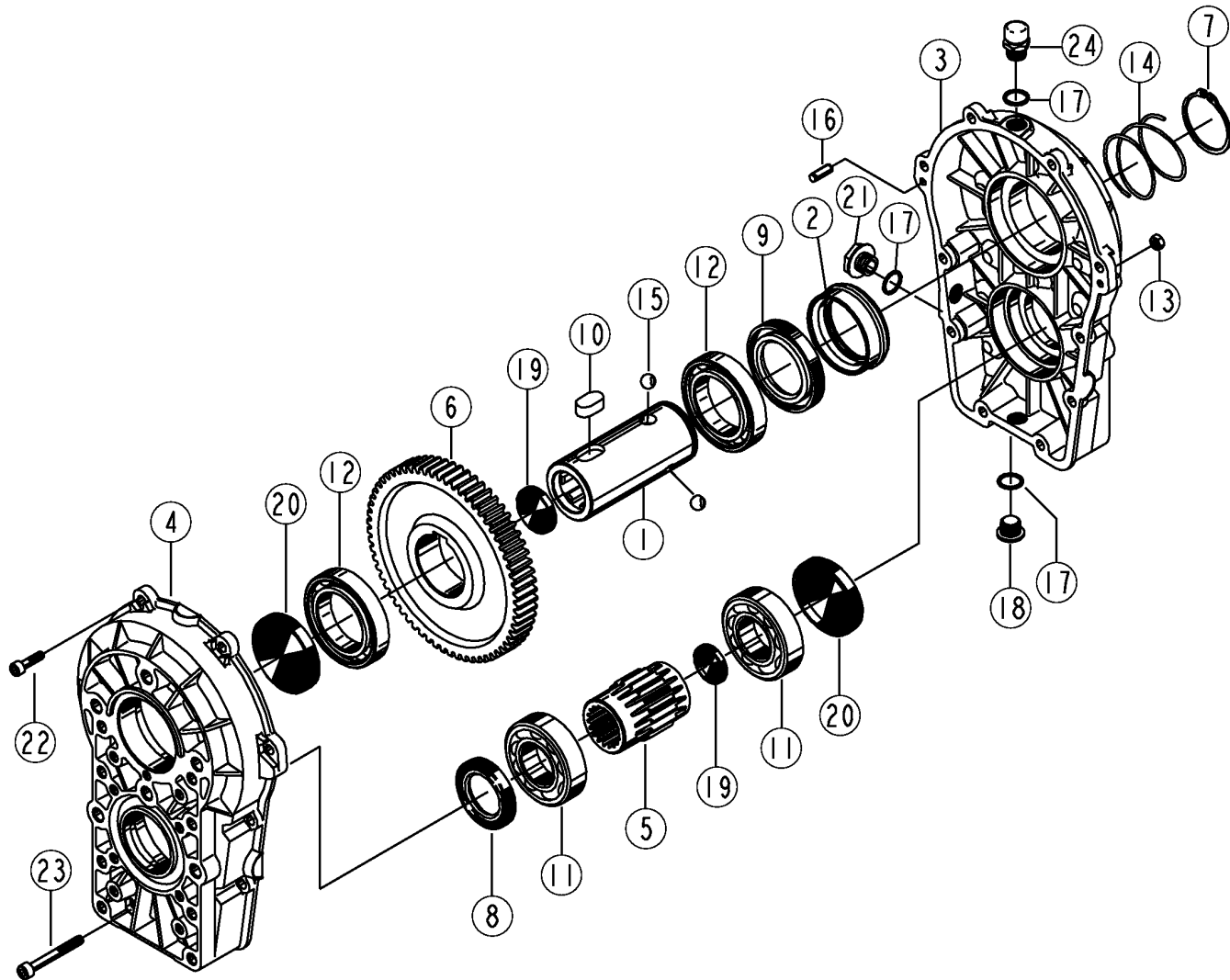
Hydraulic Gear Increaser 540 RPM (826-108C) Comer**Applies to DB(M)2660**

Ref	Part No.	Part Description	Comments	Revision
	Dwg 12301 826-108C	Drawing Image Number GEARBOX FR3 1:3.7 SPEED UP *		
1.	1351.001.009	CO INPUT HOUSING		
2.	9120.215.000	NUT, M8 UNI 5588 A6S MEDIUM		
3.	9510.106.000	CO MAGNETIC PLUG 3/8 G NA36/A		
4.	9020.365.000	CO SEAL, OIL 50X68X8 DIN3760		
5.	9110.385.000	CO BALL BEARING 6010 50X80X16		
6.	1351.006.041	CO INPUT SHAFT		
7.	9050.253.000	CO STEEL KEY 12 X 8 X 20		
8.	1351.011.026	CO RING GEAR 60T M=2.75R1:3.75		
9.	1351.012.076	CO SPACER		
10.	9490.310.000	CO CYLINDRIC PIN 6X12 UNI 1707		
11.	1351.002.009	CO COVER		
12.	9540.252.080	CO V.T.C.E.I. M8X25 UNI5931-8G		
13.	9020.355.000	CO OIL SEAL 45X65X8 DIN 3760		
14.	9110.345.000	CO BALL BEARING 6009 45X75X16		
15.	1351.010.042	CO PINION 16T M=2.75		
16.	9510.560.000	CO OIL SEAL PLUG 40 X 7		
17.	9510.090.000	CO METAL BREATHER 3/8 G		
18.	9510.105.500	CO OIL DRAIN PLUG 3/8 G AVP *		

Notes: Oil Type 80-90W Capacity 1 Pints

Hydraulic Gear Increaser 540 RPM (826-493C) Bondioli

Applies to DB(M)2660



37455

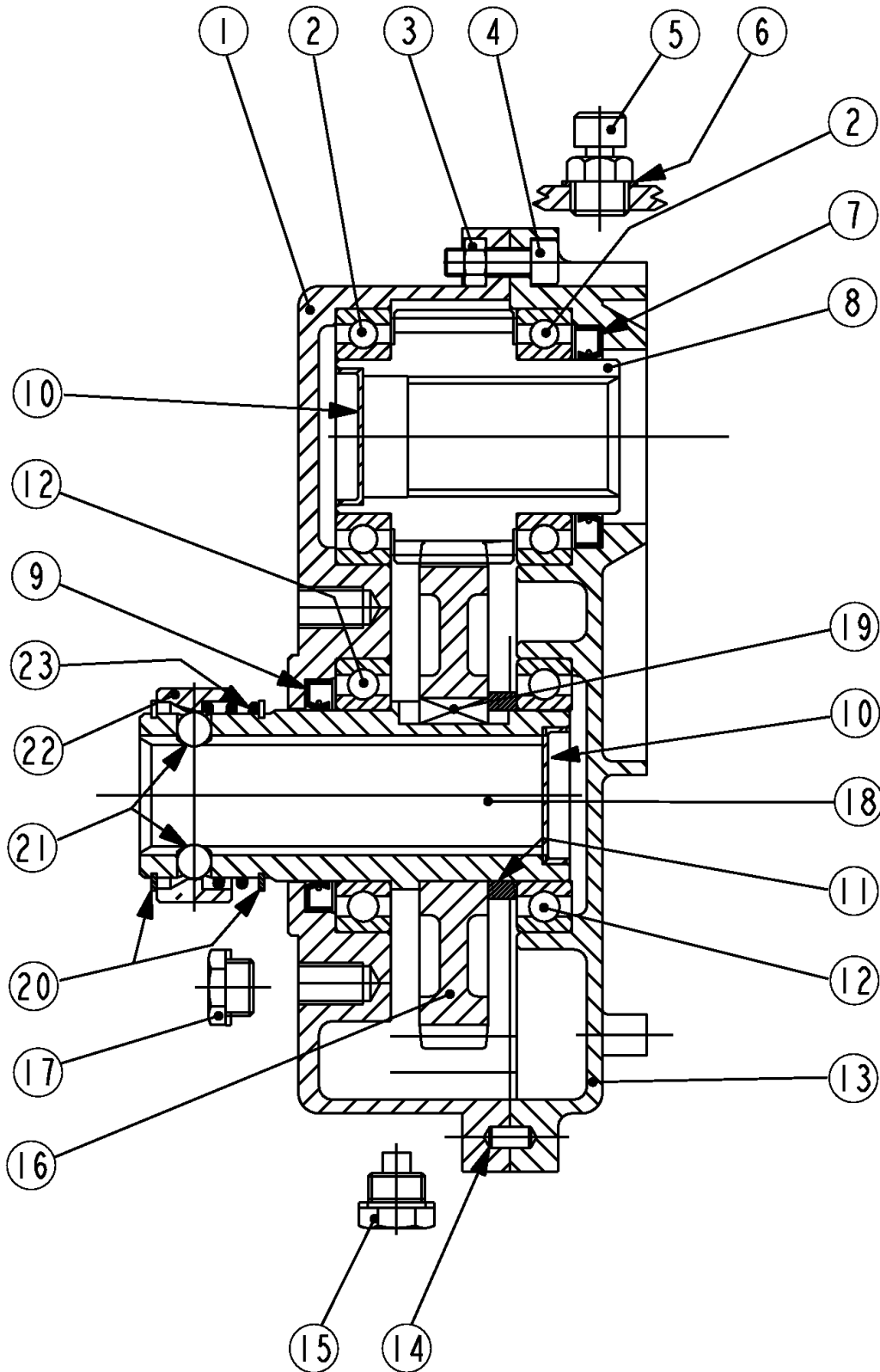
Hydraulic Gear Increaser 540 RPM (826-493C) Bondioli

Applies to DB(M)2660

Ref	Part No.	Part Description	Comments	Revision
	Dwg 37455	Image No.		
	826-493C	GEARBOX FR3 1:3.75 SPEEDUP BONDIOLI		
1.	2072.006.542	BONDI SHAFT		
2.	2072.007.042	BONDI SLEEVE		
3.	2073.001.109	BONDI HOUSING		
4.	2073.002.109	BONDI HOUSING		
5.	2073.003.542	BONDI SHAFT		
6.	2073.004.426	BONDI GEAR		
7.	8025.418.000	BONDI CIRCLIP DIA 50E		
8.	8050.505.000	BONDI OIL SEAL 45X62X7		
9.	8050.576.000	BONDI OIL SEAL 50X62X7		
10.	8125.418.001	BONDI KEY14X9X30		
11.	8200.284.000	RPBY 9110.345.000		
12.	8200.308.000	BONDI BEARING 6010		
13.	8225.248.000	BONDI NUT M8 UNI 5588		
14.	8375.710.000	BONDI SPRING		
15.	8525.350.000	BONDI BALL 1/2"		
16.	8575.267.000	BONDI PIN, 6X10 UNI 1707		
17.	8075.200.000	BONDI OIL SEAL 19X13X3		
18.	8600.148.000	BONDI OIL PLUG 3/8" GAS		
19.	8600.390.000	BONDI CUP RCA 35		
20.	8600.670.000	BONDI CAP RCA 62		
21.	8625.140.000	BONDI 3/8 OIL PLUG		
22.	8675.188.100	BONDI SCREW M8X25 UNI 5931		
23.	8675.201.100	BONDI SCREW M8X65 UNI 5931		
24.	8600.142.000	BONDI OIL PLUG, VENT		

Hydraulic Gear In increaser 540 RPM (826-493C) Comer

Applies to DB(M)2660



37456

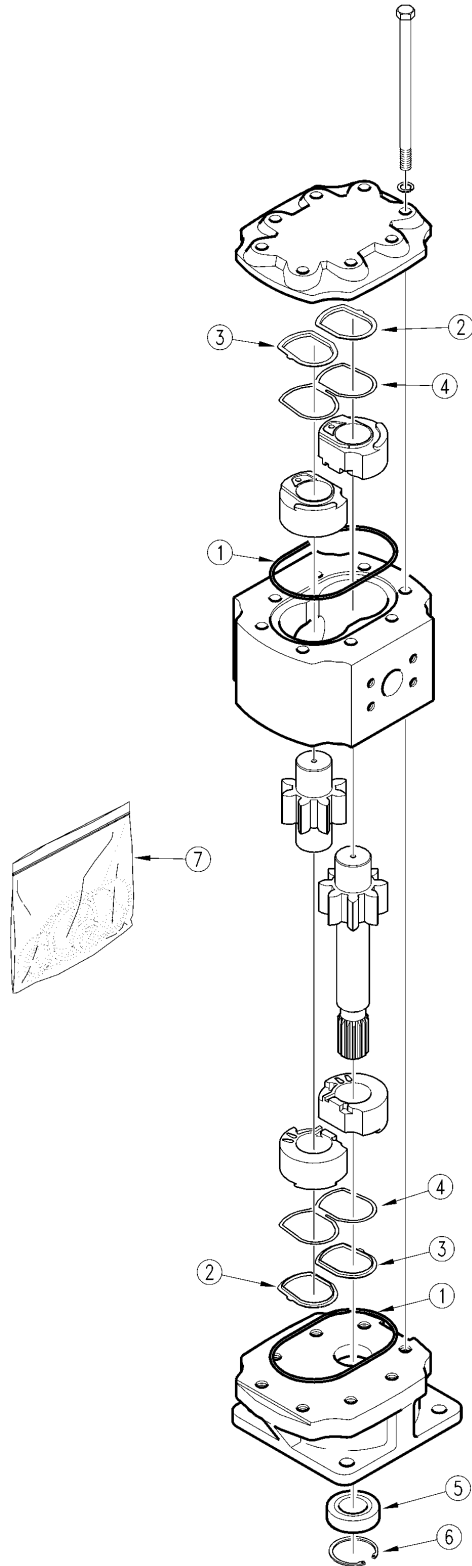
Hydraulic Gear Increaser 540 RPM (826-493C) Comer

Applies to DB(M)2660

Ref	Part No.	Part Description	Comments	Revision
	Dwg 37456	Image No.		
	826-493C	GEARBOX FR3 1:3.75 SPEEDUP		
1.	1351.001.009	CO INPUT HOUSING		
2.	8.0.1.00715	CO BEARING 6009		
3.	8.2.1.00382	COMER HEX NUT M8 UNI		
4.	8.1.2.00197	CO BOLT M8X25 8,8		
5.	9510.090.000	CO METAL BREATHER 3/8 G		
6.	8.3.0.01353	CO BOLT WASHER 17X22X1.5		
7.	8.7.3.00490	CO OIL SEAL 45X65X8		
8.	1351.030.042	CO PINION (1000 RPM)		
9.	8.7.3.02206	CO OIL SEAL 50X68X8		
10.	8.7.0.01148	CO OIL SEAL PLUG 40 X 7		
11.	1351.015.076	CO SPACER		
12.	8.0.1.00473	RPBY 822-306C		
13.	1351.002.009	CO COVER		
14.	8.4.4.01273	CO SPRING 6X12UNII707		
15.	8.6.8.01194	CO MAGNETIC PLUG 3/8 G NA36/A		
16.	1351.014.026	CO RING GEAR (1000 RPM)		
17.	8.6.5.00447	CO OIL FILLER PLUG TSN 3/8"		
18.	1351.068.041	CO SHAFT		
19.	8.4.1.01256	CO PARALLEL KEY B 12X8X20		
20.	9010.320.000	CO EXTERNAL SNAP RING 48		
21.	8.5.9.00265	CO BALL 3/8 9,52MM		
22.	1351.032.076	CO RETAINING RING		
23.	9290.225.000	CO SPRING 50.5X29.5		

Hydraulic Motor (810-314C) Ultra

Applies to DB(M)2660



13250

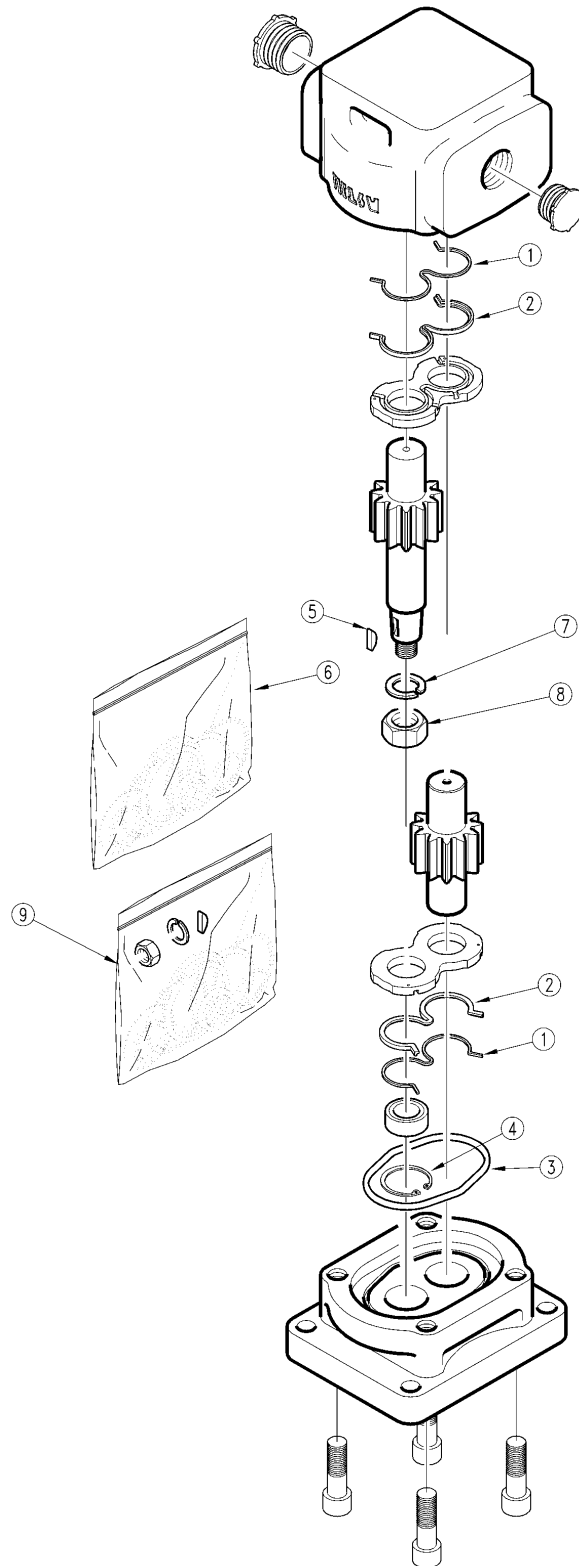
Hydraulic Motor (810-314C) Ultra

Applies to DB(M)2660

Ref	Part No.	Part Description	Comments	Revision
	Dwg 13250	Drawing Image Number		
	810-314C	HYD MOTOR ULTRA #3ML180A5792		
1.		BODY O-RING	Not sold separately	
2.		BACK-UP RING	Not sold separately	
3.		BACK-UP SEAL	Not sold separately	
4.		LOBE SEAL	Not sold separately	
5.		SHAFT SEAL	Not sold separately	
5.	471413	FED. MOGUL SEAL 1.25X1.756X.25	Alternate replacement seal	
6.		CIRCLE CLIP	Not sold separately	
7.	7113-023-0N0	ULTRA MOTOR SEAL KIT	Includes one of items 5 & 6 and two of items 1 through 4	

Hydraulic Pump (810-208C) Ultra

Applies to DB(M)2660



13249

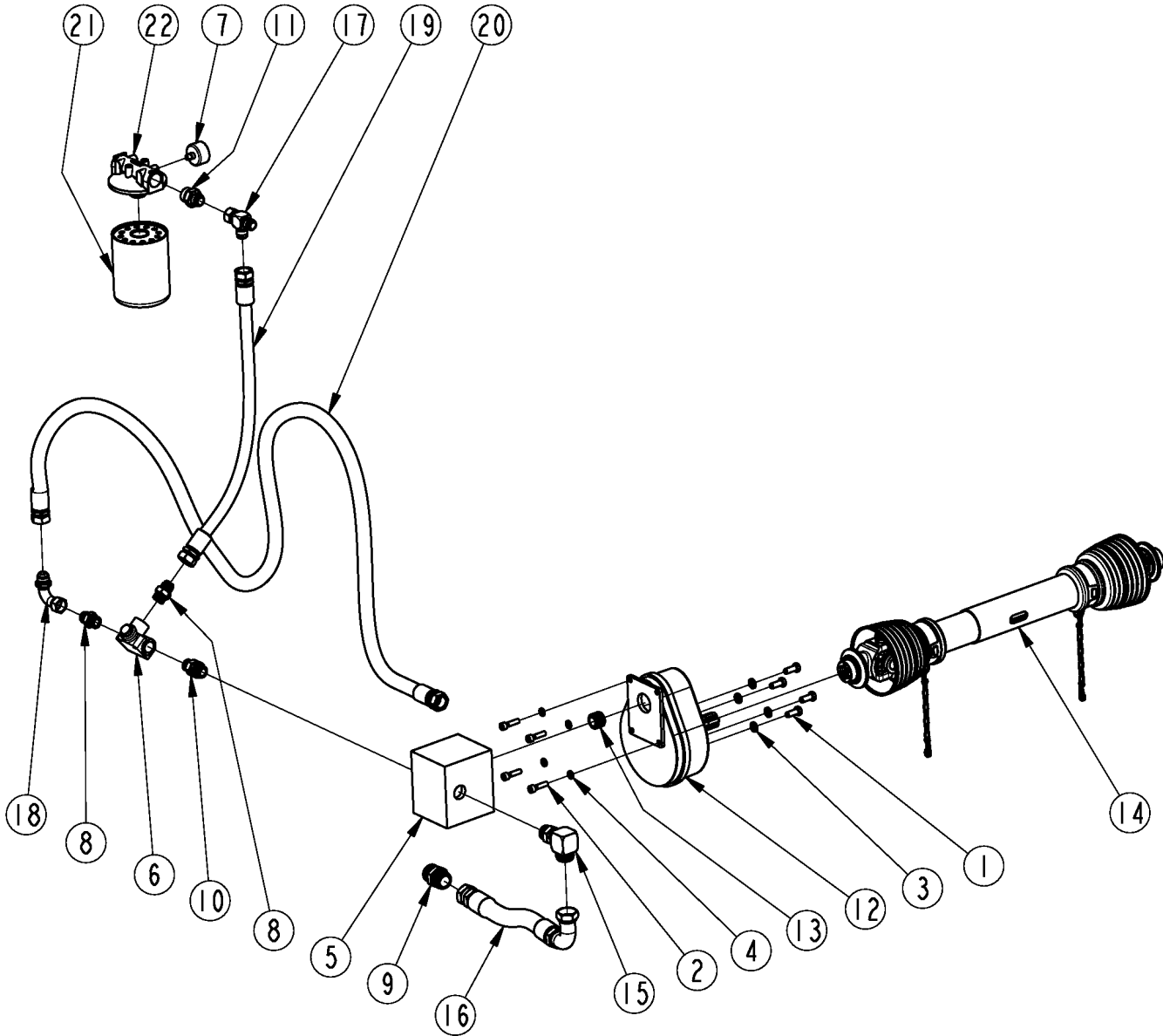
Hydraulic Pump (810-208C) Ultra

Applies to DB(M)2660

Ref	Part No.	Part Description	Comments	Revision
	Dwg 13249	Drawing Image Number		
	810-208C	HYD PUMP ULTRA #2PR029C4599W *		
1.		SEAL ENERGIZER	Not Sold Separately	
2.		SEAL ELEMENT	Not Sold Separately	
3.		BODY O-RING	Not Sold Separately	
4.		CIRCLE CLIP	Not Sold Separately	
5.		WOODRUFF KEY	Not Sold Separately	
6.	8682-023-00N	ULTRA PUMP SEAL KIT	Includes one of items 3, 4 & 5 and two of items 1 & 2	
7.	9222-361-00D	WASHER LOCK M14 (DIN 127B) PLT		
8.	9116-003-00D	NUT JAM M14X1.5 DIN 936 PLT		
9.	8682-023-T4N	ULTRA PUMP SEAL KIT,KEY,LN, LW	Includes 1 ea. 5,6,7 & 8	

Speed In increaser: Ditch Bank Mount

Applies to DB(M)2660



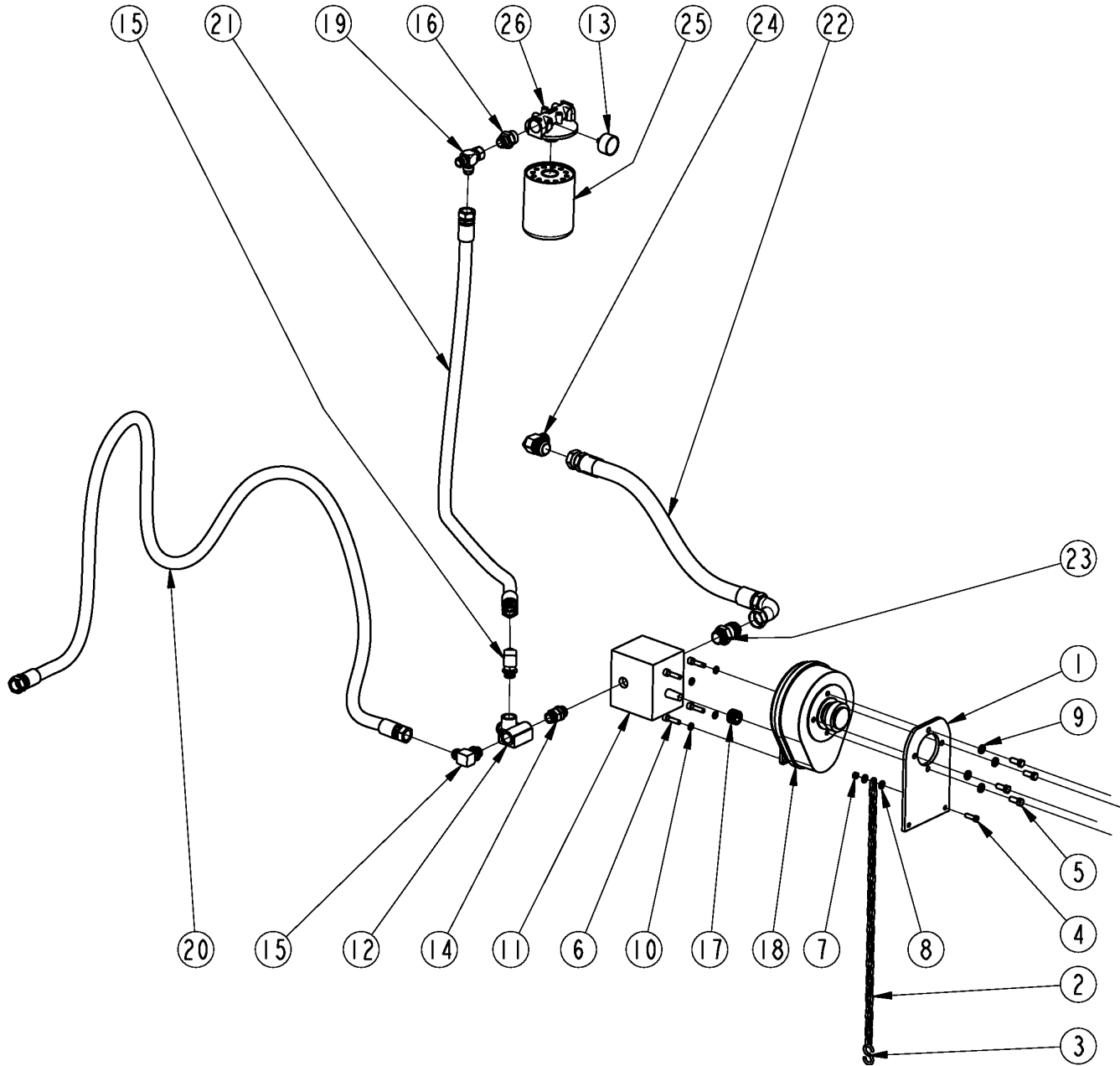
37421

Speed Increaser: Ditch Bank Mount**Applies to DB(M)2660**

Ref	Part No.	Part Description	Comments	Revision
	dwg37421	Drawing Image Number		
	316-300A	DB MNT 540 SPD INC W/PUMP/PTO	540 RPM	
	316-321A	DB MNT 1000 SPD INC W/PUMP/PTO	1000 RPM	
	*			
1.	802-458C	HHCS M12X1.75X30 GR8.8		
2.	802-540C	HSHCS M10X1.5X40 GR8.8		
3.	804-015C	WASHER LOCK SPRING 1/2 PLT		
4.	804-077C	WASHER LOCK M10 BLK		
5.	810-208C	HYD PUMP ULTRA #2PR029C4599W		
6.	810-212C	3250 PRESSURE RELIEF VALVE		
7.	810-295C	PRESS. GAUGE SERVICE FILTER		
8.	811-408C	AD 1 1/16MORB 1 1/16MJIC		
9.	811-409C	AD 1 5/8MJIC 1 1/4MNPT		
10.	811-410C	AD 1 1/16MORB 1 1/16MORB		
11.	811-567C	AD 1 1/16MJIC 1 5/16MORB		
12.	826-108C	GEARBOX FR3 1:3.7 SPEED UP	540 RPM	
12.	826-138C	GEARBOX FR3 1:2 SPEEDUP	1000 RPM	
13.	826-109C	GEAR 35 X 31 Z 18 SPLINE		
14.	826-790C	DRVLN CAT4 1.38-6X1.38-6 NO C	540 RPM	
14.	826-791C	DRVLN CAT4 1.38-21X1.38-6 NO C	1000 RPM	
15.	841-241C	EL 1 5/8-12MJIC 1 5/16MORB		
16.	841-242C	HH1 1/4R4 20.5 1 5/8FJIC 1-90		
17.	841-269C	TEE 1.06FJIC 1.06MJIC 1.06MJIC		
18.	841-438C	EL 1 1/16MJIC 1 1/16 FJIC SWPT		
19.	841-446C	HH3/4R1 1 1/16FJIC		
20.	851-359C	HH3/4R9 103 1.06FJIC		
21.	890-454C	SPIN-ON RETURN FILTER 1 1/2-16		
22.	890-455C	SPIN-ON FILTER HEAD 1 5/16-12		

Speed In increaser: Tractor Mount

Applies to DB(M)2660



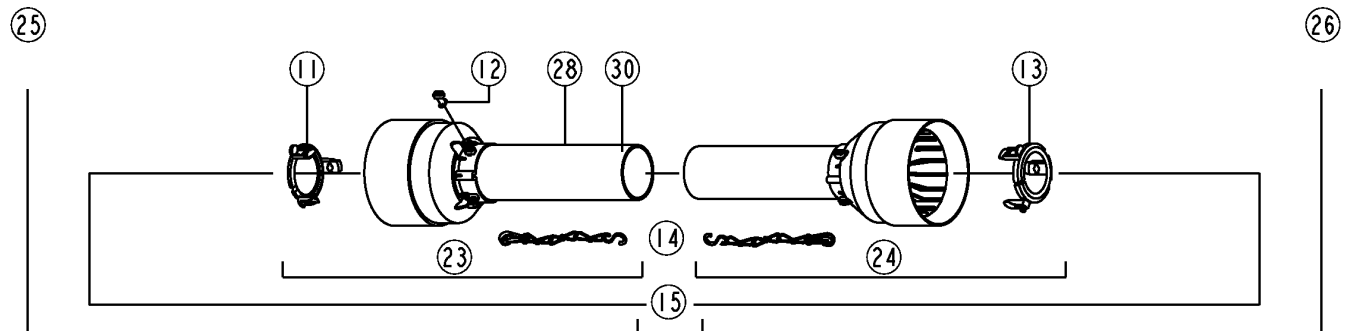
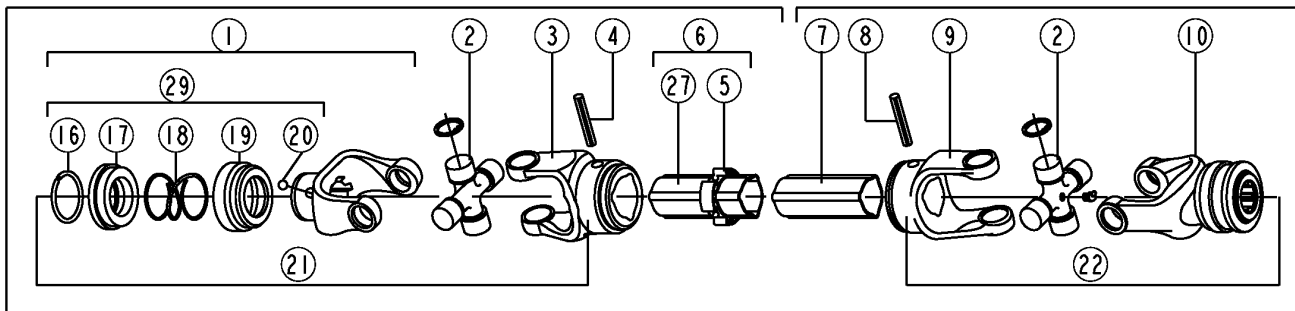
37422

Speed Increaser: Tractor Mount**Applies to DB(M)2660**

Ref	Part No.	Part Description	Comments	Revision
	dwg37422	Drawing Image Number		
	316-322A	TRACTOR MT 540 SPD INC W/PUMP	540 RPM	
	316-323A	TRACTOR MT 1000 SPD INC W/PUMP	1000 RPM	
	*			
1.	316-412D	SPEED INCREASER MOUNTING PLATE		
2.	316-459D	CHAIN, PUMP TORQUE		
3.	800-392C	S-HOOK #526 .249 X 2.00		
4.	802-079C	HHCS 3/8-16X1 1/4 GR5		
5.	802-458C	HHCS M12X1.75X30 GR8.8		
6.	802-540C	HSHCS M10X1.5X40 GR8.8		
7.	803-013C	NUT LOCK 3/8-16 PLT		
8.	804-012C	WASHER FLAT 3/8 SAE PLT		
9.	804-015C	WASHER LOCK SPRING 1/2 PLT		
10.	804-077C	WASHER LOCK M10 BLK		
11.	810-208C	HYD PUMP ULTRA #2PR029C4599W		
12.	810-212C	3250 PRESSURE RELIEF VALVE		
13.	810-295C	PRESS. GAUGE SERVICE FILTER		
14.	811-410C	AD 1 1/16MORB 1 1/16MORB		
15.	811-411C	EL 1 1/16MJIC 1 1/16MORB		
16.	811-567C	AD 1 1/16MJIC 1 5/16MORB		
17.	826-109C	GEAR 35 X 31 Z 18 SPLINE		
18.	826-493C	GEARBOX FR3 1:3.75 SPEEDUP	540 RPM	
18.	826-492C	GEARBOX FR3 1:2.18 SPEEDUP	1000 RPM	
19.	841-269C	TEE 1.06FJIC 1.06MJIC 1.06MJIC		
20.	841-398C	HH3/4R1 123 1.06FJIC1.06FJIC90		
21.	851-306C	HH3/4R1 060 1.06FJIC		
22.	851-307C	HH1 1/4R4 041 1.63FJIC 1-90		
23.	851-519C	AD 1 5/8MJIC 1 5/16MORB		
24.	851-520C	EL 1 5/8MJIC 1 1/4MNPT		
25.	890-454C	SPIN-ON RETURN FILTER 1 1/2-16		
26.	890-455C	SPIN-ON FILTER HEAD 1 5/16-12		

Driveline 1000 (826-791C) Comer

Applies to DB(M)2660

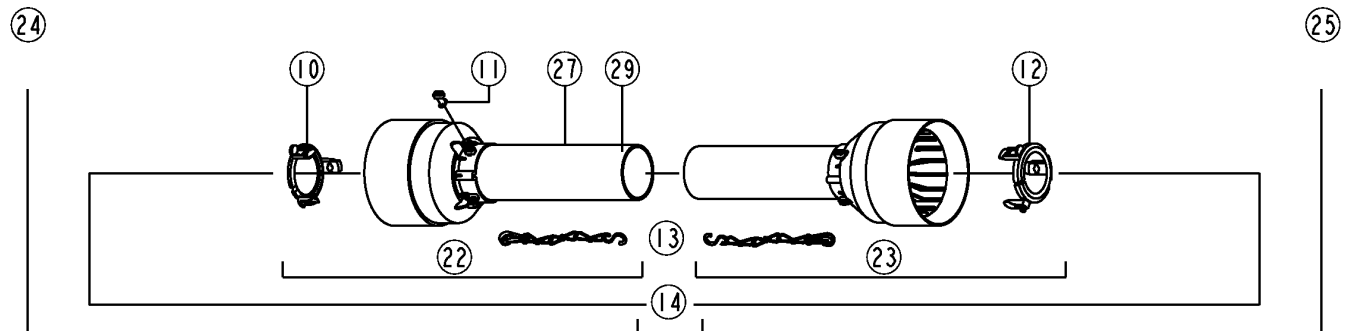
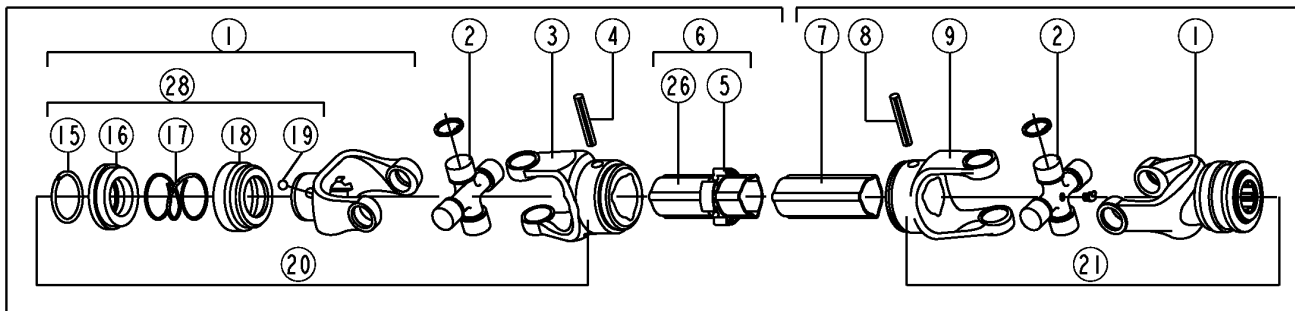


Driveline 1000 (826-791C) Comer**Applies to DB(M)2660**

Ref	Part No.	Part Description	Comments	Revision
	Dwg 37459	Image No.		
	826-791C	DRVLN CAT4 1.38-21X1.38-6 NO C		
1.	141.025.364.1	CO COMPLETE COLLAR YOKE C13		
2.	180.015.130	COMER CROSS JOURNAL SET		
3.	151.015.011.1	RPBY 151.015.011		
3.	151.015.011	COMER OUTER YOKE		
4.	190.000.016	COMER ROLL PIN, INNER TUBE		
5.	180.015.279	CO BUSH WITH GREASE FITTING		
6.	152.150.4140710	CO COMPLETE OUTER TUBE		
7.	153.150.108	COMER INNER TUBE		
8.	190.000.394	COMER ROLL PIN FOR INNER TUBE		
9.	151.015.012.1	CO INNER YOKE		
10.	141.025.363.1	CO COMPLETE COLLAR YOKE C12		
11.	180.015.288	CO GUARD RETAIN. COLLAR O.T.		
12.	180.014.240	COMER BOLT		
13.	180.015.289	CO GUARD RETAIN. COLLAR I.T.		
14.	180.016.790	CO SAFTEY CHAINS	(S/N 928934-)	
15.	142.250.3847521	CO COMPLETE GUARD W/MANUAL		
16.	190.000.451	COMER OUTER CIRCLIP		
17.	151.016.486	COMER SLIDING SLEEVE COLLER		
18.	180.016.487	COMER SPRING		
19.	180.016.483	COMER FIXED SLEEVE		
20.	190.000.078	COMER BALL 1/2"		
21.	121.025.647.11	N/A		
22.	121.025.646.11	N/A		
23.	142.256.0757521	CO HALF FEMALE GUARD		
24.	142.257.0757521	CO HALF MALE GUARD		
25.	123.350.197.11	CO HALF FEMALE SHFT W/GUARDING		
26.	123.450.338.11	CO HALF MALE SHAFT W/GUARD		
27.	190.000.098	COMER DANGER LABEL OUTER TUBE		
28.	190.000.099	COMER DANGER LABEL GUARD OUTER		
29.	165.000.628	COMER COLLAR KIT 1 3/8 YOKE		
30.	190.000.912	CO LABEL W/CUSTOMER CODE		

Driveline 540 (826-790C) Comer

Applies to DB(M)2660

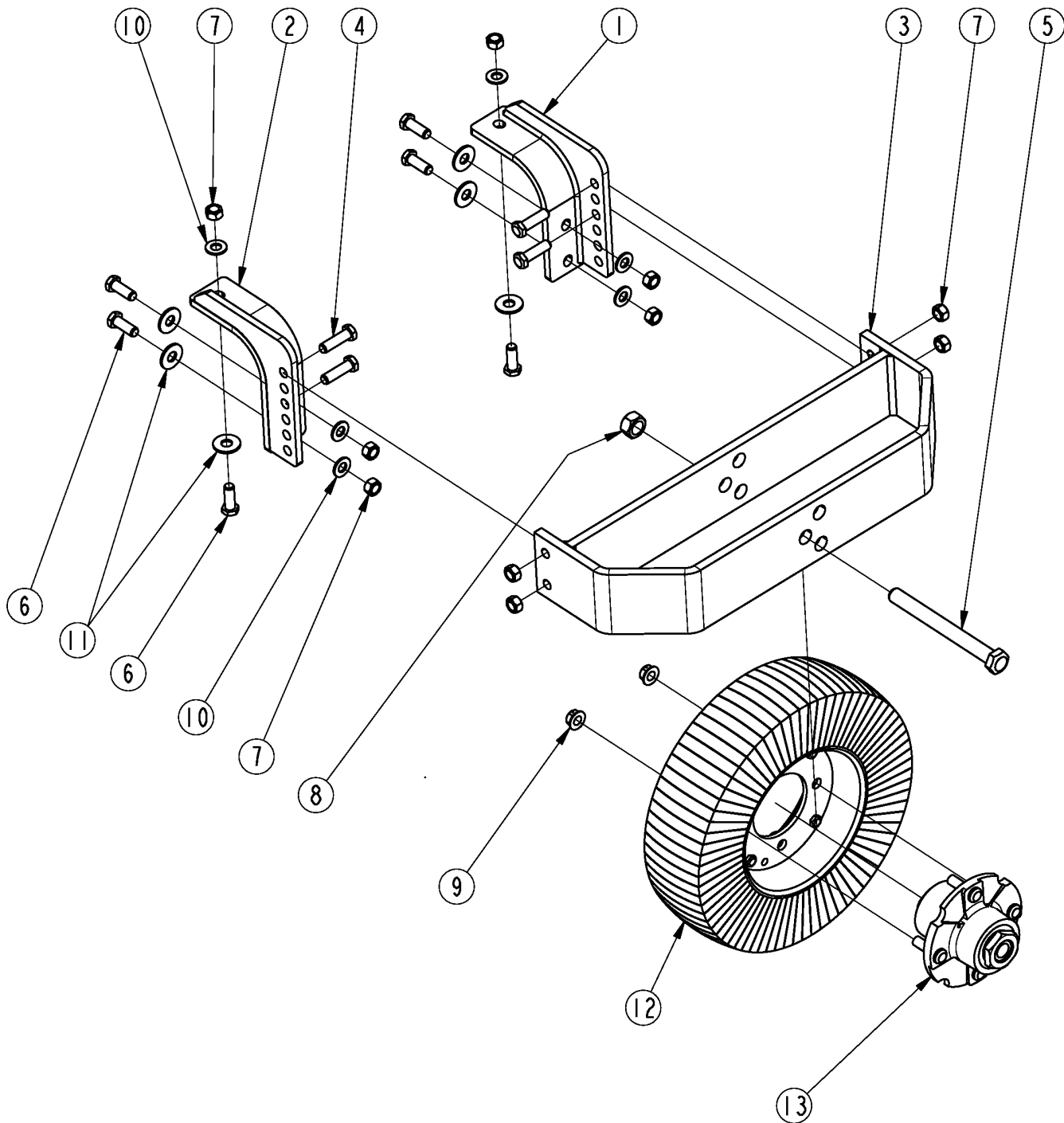


Driveline 540 (826-790C) Comer**Applies to DB(M)2660**

Ref	Part No.	Part Description	Comments	Revision
	Dwg 37458	Image No.		
	826-790C	DRVLN CAT4 1.38-6X1.38-6 NO C		
1.	141.025.363.1	CO COMPLETE COLLAR YOKE C12		
2.	180.015.130	COMER CROSS JOURNAL SET		
3.	151.015.011.1	RPBY 151.015.011		
3.	151.015.011	COMER OUTER YOKE		
4.	190.000.016	COMER ROLL PIN, INNER TUBE		
5.	180.015.279	CO BUSH WITH GREASE FITTING		
6.	152.150.4140710	CO COMPLETE OUTER TUBE		
7.	153.150.108	COMER INNER TUBE		
8.	190.000.394	COMER ROLL PIN FOR INNER TUBE		
9.	151.015.012.1	CO INNER YOKE		
10.	180.015.288	CO GUARD RETAIN. COLLAR O.T.		
11.	180.014.240	COMER BOLT		
12.	180.015.289	CO GUARD RETAIN. COLLAR I.T.		
13.	180.016.790	CO SAFTEY CHAINS	(S/N 928934-)	
14.	142.250.3847521	CO COMPLETE GUARD W/MANUAL		
15.	190.000.451	COMER OUTER CIRCLIP		
16.	151.016.486	COMER SLIDING SLEEVE COLLER		
17.	180.016.487	COMER SPRING		
18.	180.016.483	COMER FIXED SLEEVE		
19.	190.000.078	COMER BALL 1/2"		
20.	121.025.645.11	N/A		
21.	121.025.646.11	N/A		
22.	142.256.0757521	CO HALF FEMALE GUARD		
23.	142.257.0757521	CO HALF MALE GUARD		
24.	123.350.198.11	CO HALF FEMALE SHFT W/GUARDING		
25.	123.450.338.11	CO HALF MALE SHAFT W/GUARD		
26.	190.000.098	COMER DANGER LABEL OUTER TUBE		
27.	190.000.099	COMER DANGER LABEL GUARD OUTER		
28.	165.000.628	COMER COLLAR KIT 1 3/8 YOKE		
29.	190.000.913	CO LABEL W/CUSTOMER CODE		

Gauge Wheel Components: Side Wheel

Applies to DB(M)2660



37419

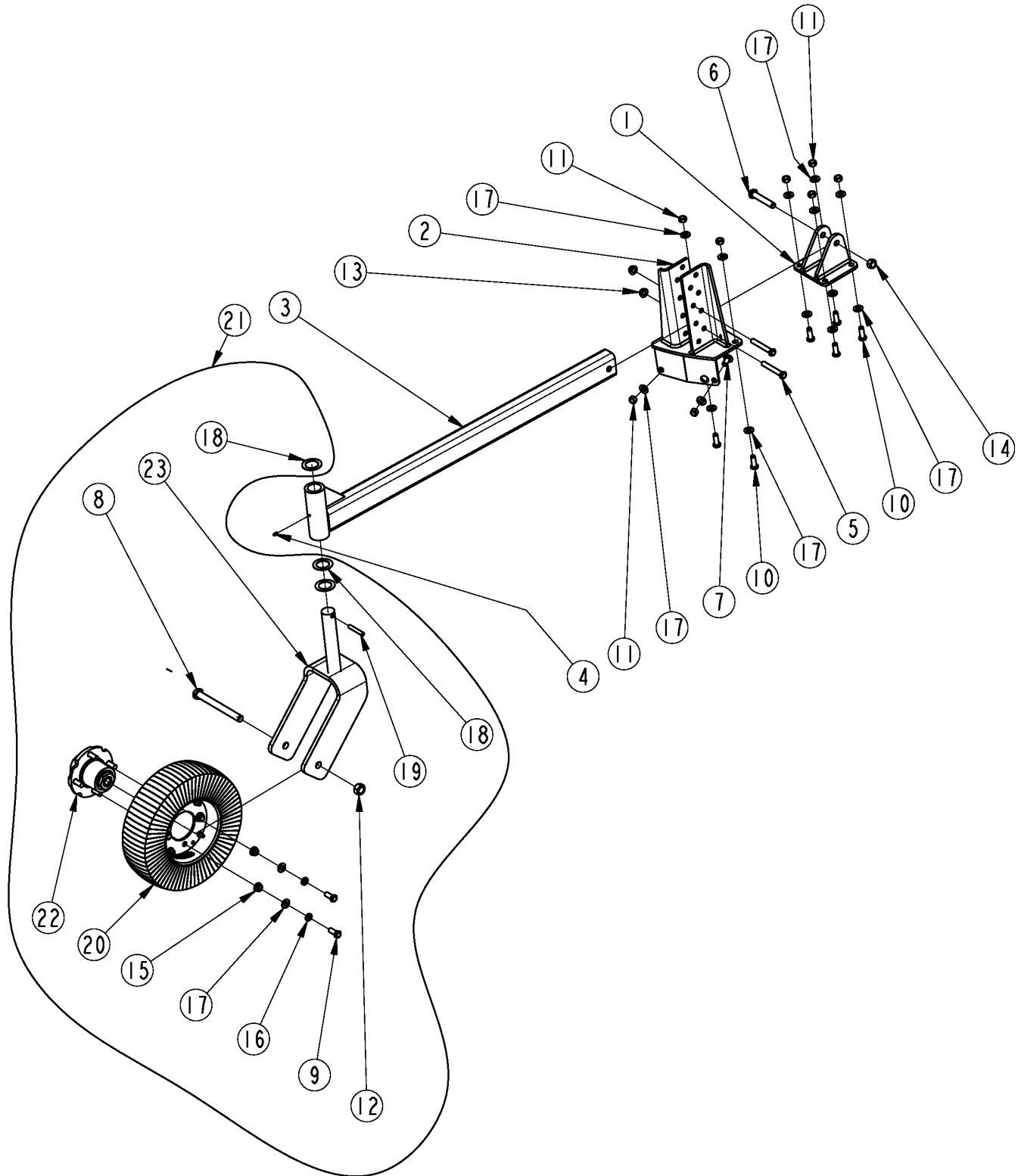
Gauge Wheel Components: Side Wheel

Applies to DB(M)2660

Ref	Part No.	Part Description	Comments	Revision
	Dwg 37419	Image No.		
	316-314A	SIDE GAUGE WHEEL *		
1.	316-312H	SIDE GAUGE WHEEL FRONT MOUNT		
2.	316-313H	SIDE GAUGE WHEEL REAR MOUNT		
3.	316-315H	SIDE GAUGE WHEEL FRAME		
4.	802-082C	HHCS 1/2-13X1 3/4 GR5		
5.	802-280C	HHCS 3/4-10X7 1/2 GR5		
6.	802-652C	HHCS 1/2-13X1 3/8 GR5 BLK		
7.	803-019C	NUT LOCK 1/2-13 PLT		
8.	803-026C	NUT LOCK 3/4-10 PLT		
9.	803-308C	NUT HEX FLG/LK 1/2-20 PLT GR G		
10.	804-016C	WASHER FLAT 1/2 SAE PLT		
11.	804-017C	WASHER FLAT 1/2 USS PLT		
12.	814-058C	TIRE & WHEEL LAMINATED 4.0 X 8		
13.	815-092C	HUB & SPINDLE ASSY 4 BOLT		

Gauge Wheel Components: Tail Wheel

Applies to DB(M)2660



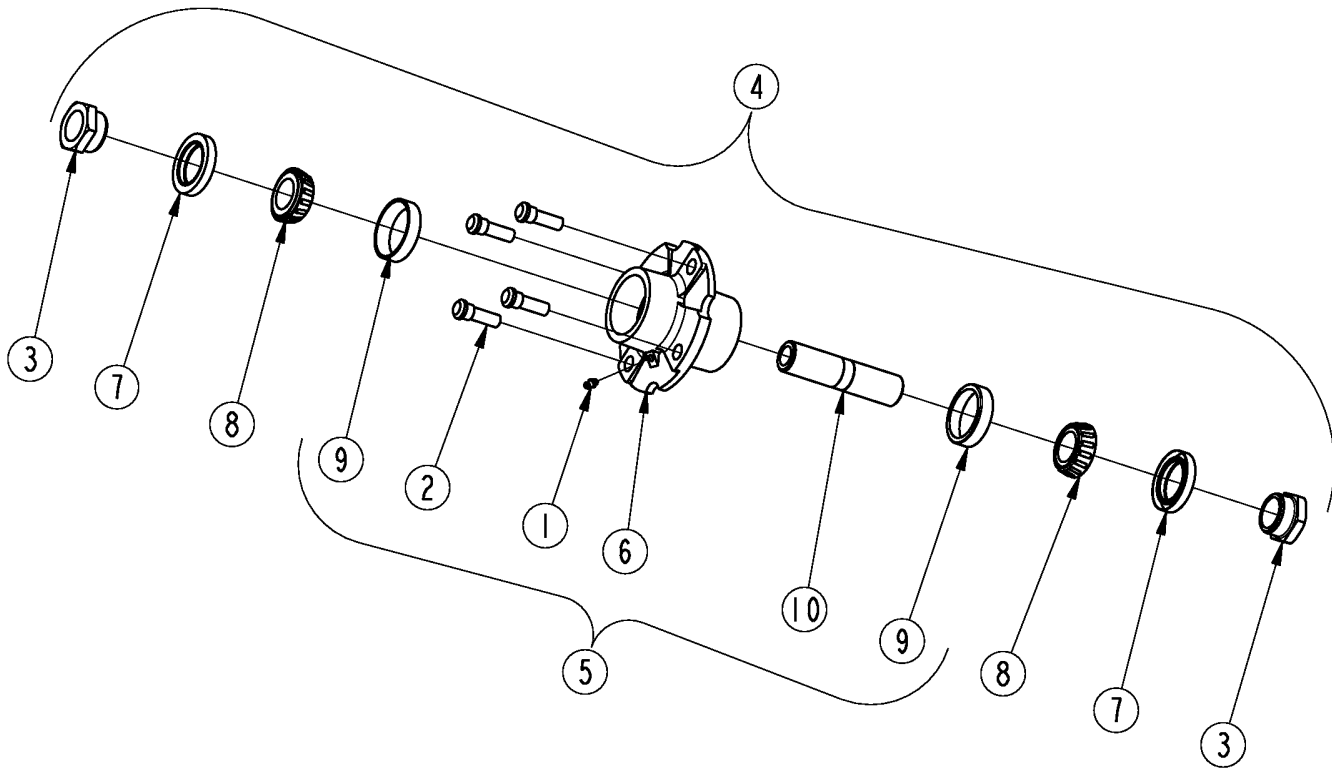
37418

Gauge Wheel Components: Tail Wheel**Applies to DB(M)2660**

Ref	Part No.	Part Description	Comments	Revision
	Dwg 37418	Image No.		
	316-304A	TAILWHEEL - 60 DECK BOOM ARM		
1.	316-311H	TAILWHEEL PIVOT		
2.	316-316H	TAILWHEEL ADJUSTMENT		
3.	327-129H	TAILWHEEL BEAM WLDMT SHORT		
4.	800-080C	GREASE ZERK 1/4-28 THD FORMING		
5.	802-041C	HHCS 1/2-13X3 1/2 GR5		
6.	802-162C	HHCS 5/8-11X3 1/2 GR5		
7.	802-214C	RHSNB 1/2-13X1 1/4 GR5		
8.	802-280C	HHCS 3/4-10X7 1/2 GR5		
9.	802-326C	HHCS 1/2-20X1 1/4 GR5		
10.	802-652C	HHCS 1/2-13X1 3/8 GR5 BLK		
11.	803-019C	NUT LOCK 1/2-13 PLT		
12.	803-026C	NUT LOCK 3/4-10 PLT		
13.	803-169C	NUT HEX FLG LOCK 1/2-13 PLT		
14.	803-271C	NUT HEX TOP LOCK 5/8-11 PLT		
15.	803-308C	NUT HEX FLG/LK 1/2-20 PLT GR G		
16.	804-015C	WASHER LOCK SPRING 1/2 PLT		
17.	804-016C	WASHER FLAT 1/2 SAE PLT		
18.	804-066C	WASHER MACH 2.25 X 1.50 X 14GA		
19.	805-255C	PIN ROLL 3/8 X 2 1/2 PLT		
20.	814-058C	TIRE & WHEEL LAMINATED 4.0 X 8		
21.	814-161C	LAM 4X8 TR-WL-HUB-YOKE 25 SER.		
22.	815-092C	HUB & SPINDLE ASSY 4 BOLT		
23.	890-961C	RC25 TAILWHEEL YOKE, 1.5 SHAFT		

Hub Assembly 4-Bolt W/ Zerk & Studs (815-092C)

Applies to DB(M)2660



37435

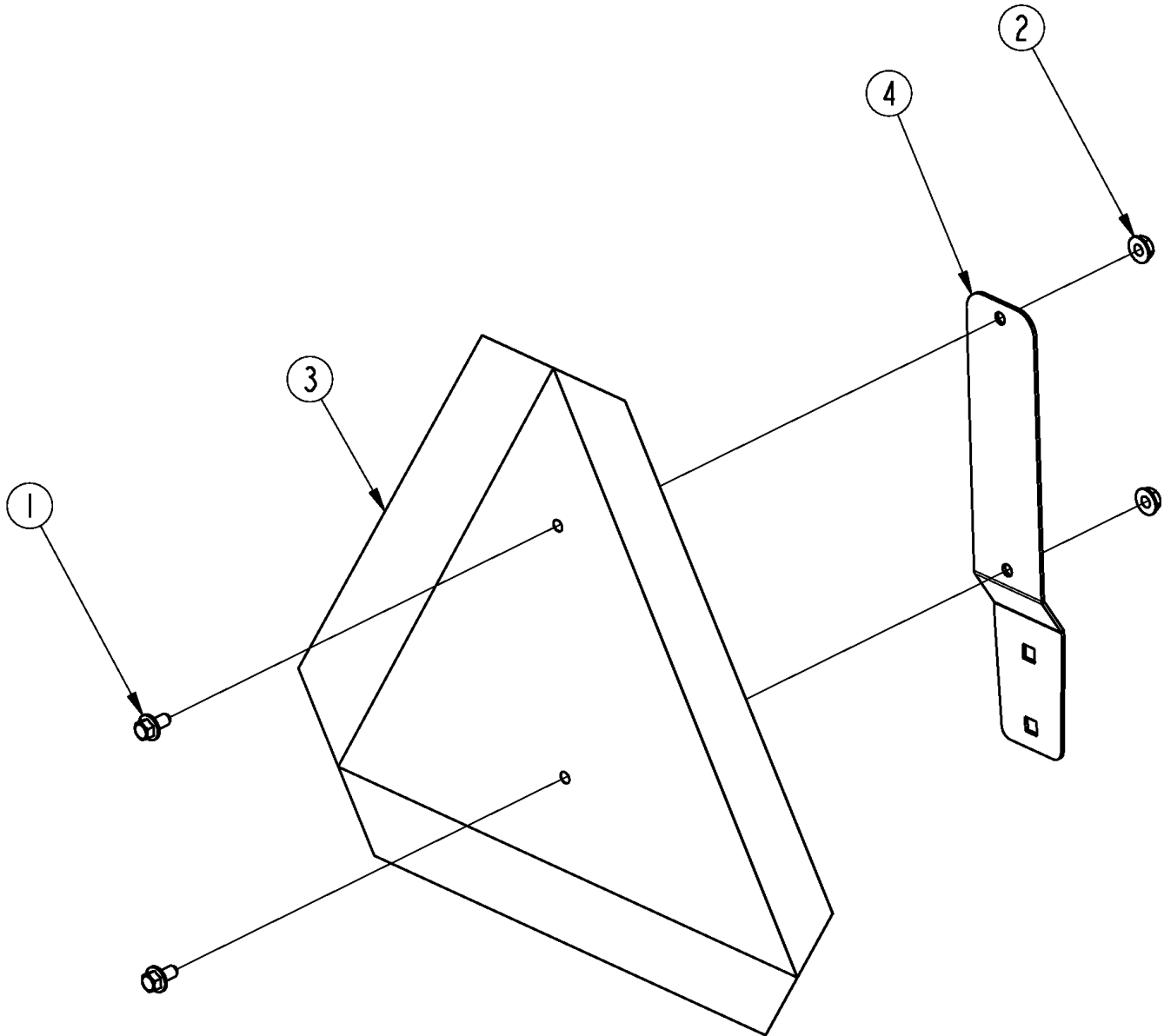
Hub Assembly 4-Bolt W/ Zerk & Studs (815-092C)

Applies to DB(M)2660

Ref	Part No.	Part Description	Comments	Revision
	Dwg 37435	Image No.		
1.	800-001C	GREASE ZERK STRAIGHT 1/4-28		
2.	802-135C	HUB STUD 1/2-20X1 5/8 GR5		
3.	803-289C	NUT HEX 1 1/4-7(MACHINED)PLAIN		
4.	815-092C	HUB & SPINDLE ASSY 4 BOLT		
5.	815-230C	HUB 4 BLT W/CUPS, ZERK & STUDS		
6.	815-231C	HUB 4BLT DUCTILE(USE 815-230C)		
7.	816-286C	OIL SEAL DBL LIP 2.441 BORE		
8.	822-091C	BRG 1.25ID CONE 15123		
9.	822-092C	BRG CUP 2.44OD 15245		
10.	827-036C	BUSHING TW 1.25ODX.78IDX5 1/4		

SMV Sign

Applies to DB(M)2660



37482

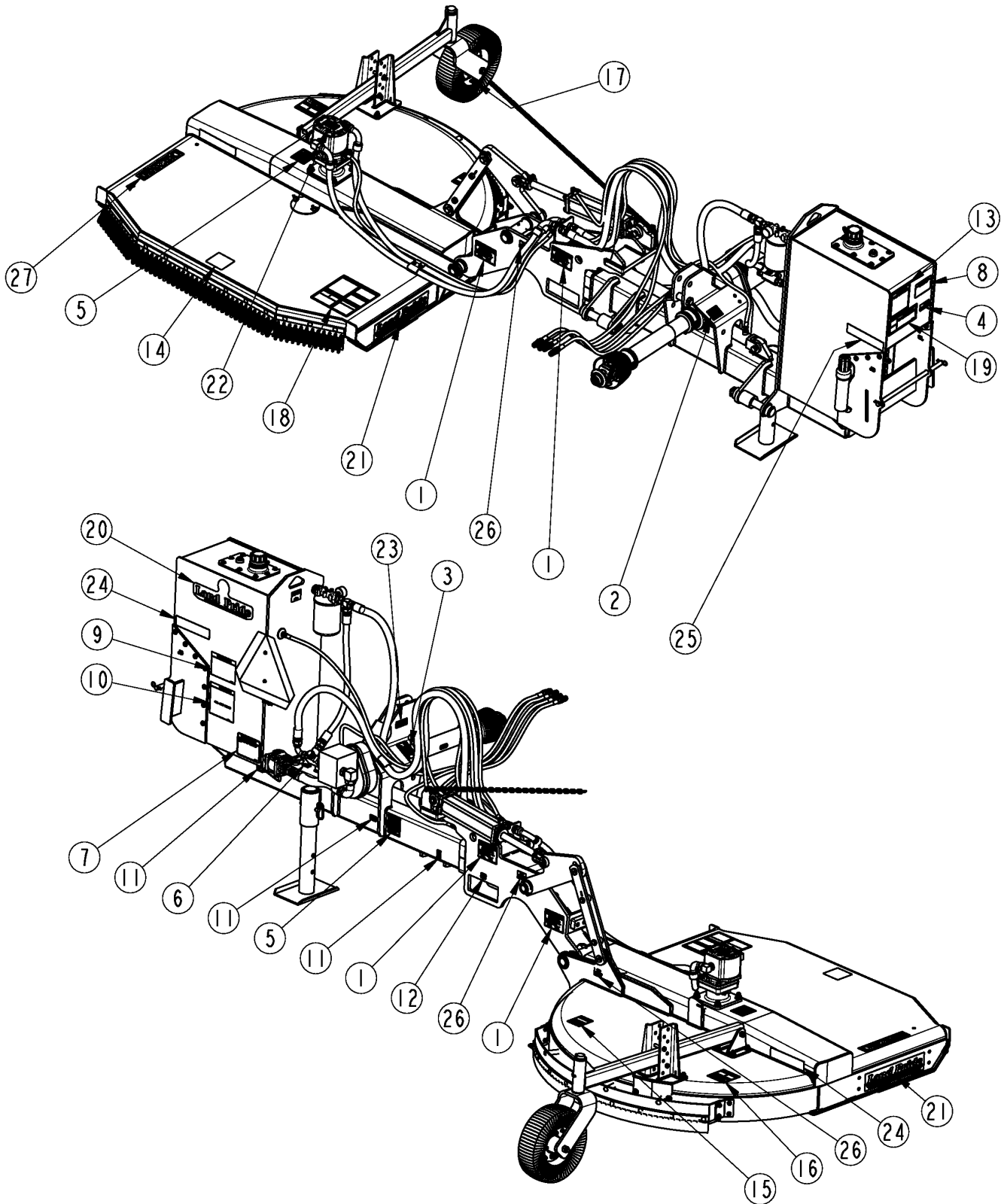
SMV Sign

Applies to DB(M)2660

Ref	Part No.	Part Description	Comments	Revision
	Dwg 37482 316-362S	Image No. SMV SIGN *	Contains 1, 2, 3, and 4	
1.	802-148C	HFSS 1/4-20X1/2 GR5		
2.	803-230C	NUT HEX FLANGE 1/4-20 PLT		
3.	818-055C	DECAL SLOW MOVING-GALV. BACKED		
4.	890-153C	SMV MOUNTING BLADE		

Decal Placement

Applies to DB(M)2660



37430

Decal Placement**Applies to DB(M)2660**

Ref	Part No.	Part Description	Comments	Revision
	Dwg 37430	Drawing Image Number		
1.	818-045C	DECAL WARNING PINCH PT/CRUSH		
2.	818-130C	DECAL WARNING 540 RPM		
3.	818-142C	DECAL DANGER PTO DRIVELINE EN		
4.	N/A			
5.	818-339C	DECAL WARNING HIGH PRESSUR SML		
6.	818-349C	DECAL GREASE 10 HRS LH		
7.	818-388C	DECAL - IMPORTANT, OPEN VALVE		
8.	818-389C	DECAL - OIL FILL LINE		
9.	818-390C	DECAL - WARNING SIDEMOUNT		
10.	818-391C	DECAL - WARNING TRACTOR ANGLE		
11.	818-402C	DECAL GREASE 10 HRS RH		
12.	818-438C	DECAL LIFT POINT		
13.	818-558C	DECAL WARNING GEN SAFE MOWER	S/N _____ +	
13.	818-554C	RPBY 818-558C	S/N _____ - (Obsolete)	
14.	818-555C	DECAL DANGER ROTATE BLADE		
15.	818-556C	DECAL DANGER THROWN OBJ CUTTER		
16.	818-555C	DECAL DANGER ROTATE BLADE		
16.	818-564C	RPBY 818-555C	Obsolete	
17.	818-681C	DECAL NOTICE - 20 MPH MAX		
18.	818-830C	DECAL SAFETY COMBO SUNWEST		
19.	818-831C	DECAL WARNING HIGH PRESSURE		
20.	818-893C	RPBY 838-964C	BEIGE UNIT	
20.	838-964C	DECAL LP 16" W/TREE BROWN/GOLD	ORANGE UNIT	
21.	818-901C	RPBY 838-965C	BEIGE UNIT	
21.	838-965C	DECAL LANDPRIDE 16" BROWN/GOLD	ORANGE UNIT	
22.	838-289C	DECAL 2 YEAR GEARBOX WARRANTY		
23.	838-517C	DECAL QUICK HITCH SYSTEM		
24.	838-614C	DECAL REFLECTOR RED 2X9		
25.	838-615C	DECAL REFLECTOR AMBER 2X9		
26.	848-433C	DECAL GREASE EVERY 10HRS MULTI		
27.	858-177C	DECAL DB2660 - GOLD		
27.	858-178C	RPBY 858-177C	Obsolete	
27.	858-179C	DECAL DBM2660 - GOLD		
27.	858-180C	RPBY 858-179C	Obsolete	

Touch-up Paints - LP

Applies to DB(M)2660

No diagram associated with this Parts List

Touch-up Paints - LP**Applies to DB(M)2660**

Ref	Part No.	Part Description	Comments	Revision
1.	821-011C	LP BEIGE SPRAY CAN	Spray can	
1.	821-011CTU	LP BEIGE TOUCH-UP 5OZ	Touch-up bottle with brush	
1.	821-011CQT	LP BEIGE QUART	Quart can	
1.	821-011CGL	LP BEIGE GALLON	Gallon can	
2.	821-070C	GLOSS BLACK SPRAY CAN	Spray can	
2.	821-070CTU	GLOSS BLACK TOUCH-UP 5OZ	Touch-up bottle with brush	
2.	821-070CQT	GLOSS BLACK QUART	Quart can	
2.	821-070CGL	GLOSS BLACK GALLON	Gallon can	
3.	821-054C	MED. RED SPRAY TRCK/CTR	Spray can	
3.	821-054CTU	MED RED TOUCH-UP 5OZ	Touch-up bottle with brush	
3.	821-054CQT	MED RED QUART	Quart can	
3.	821-054CGL	MED RED GALLON	Gallon can	
4.	821-058C	GREEN SPRAY CUTTERS	Spray can	
4.	821-058CTU	GREEN TOUCH-UP 5OZ	Touch-up bottle with brush	
4.	821-058CQT	GREEN QUART	Quart can	
4.	821-058CGL	GREEN GALLON	Gallon can	
5.	821-066C	ORANGE SPRAY CAN	Spray can	
5.	821-066CTU	ORANGE TOUCH-UP 5OZ	Touch-up bottle with brush	
5.	821-066CQT	ORANGE QUART	Quart can	
5.	821-066CGL	ORANGE GALLON	Gallon can	
6.	821-067C	BLUE SPRAY CAN	Spray can	
6.	821-067CTU	BLUE TOUCH-UP 5OZ	Touch-up bottle with brush	
6.	821-067CQT	BLUE QUART	Quart can	
6.	821-067CGL	BLUE GALLON	Gallon can	
7.	821-080C	PAINT ALUMINUM/ZINC SPRAY CAN	Spray can	
7.	821-080CTU	PAINT ALUMINUM/ZINC TOUCH UP	Touch-up bottle with brush	
7.	821-080CQT	PAINT ALUMINUM/ZINC QUART	Quart can	
7.	821-080CGL	PAINT ALUMINUM/ZINC GALLON	Gallon can	



Part Number Index

The Part Number Index is a numeric index of all part numbers included in this manual. The index shows what page(s) the part is used on.

Part Number	Page	Part Number	Page	Part Number	Page	Part Number	Page
*	11, 19, 21, 23, 25, 27, 29, 35, 37, 45, 47, 55, 57, 59, 65, 71	2073.010.542	39, 41, 45	326-215D	21	802-603C	17
0.139.7100.00	19	235005	37	326-219D	23	802-647C	25, 27, 29
0.139.7101.00	19	258679	37	326-220D	23	802-652C	65, 67
0.278.7104.00	19	258821	35	326-221D	17	8025.418.000	41, 49
0.772.1303.00	19	258851	37	326-223D	23	803-011C	7
0.772.3000.00	19	300-318D	9	326-224D	23	803-013C	17, 59
121.025.645.11	63	312-821D	9	327-129H	67	803-014C	11
121.025.646.11	61, 63	312-844A	21	471413	53	803-019C	65, 67
121.025.647.11	61	312-845A	23	491742	35	803-020C	15, 35
123.350.197.11	61	312-948D	25, 27, 29	492282	35	803-024C	13
123.350.198.11	63	312-952D	25	492650	37	803-026C	65, 67
123.450.338.11	61, 63	312-953D	25	492652	35	803-038C	9
130556	37	316-034D	17	492721	35	803-084C	33
130560	35	316-099D	9	492870	35	803-169C	13, 67
1351.001.009	43, 47, 51	316-100D	9	494383	35	803-170C	15
1351.002.009	43, 47, 51	316-106D	33	502-068D	33	803-177C	9, 17
1351.006.041	47	316-124H	15	7113-023-0N0	53	803-198C	17, 21, 23, 25, 27, 29
1351.010.042	47	316-153H	9	755177	37	803-230C	71
1351.011.026	47	316-225H	13	755178	37	803-231C	17
1351.012.076	47	316-226H	13	8.0.1.00473	43, 51	803-255C	11, 13
1351.014.026	43, 51	316-227H	13	8.0.1.00715	43, 51	803-263C	15
1351.015.076	43, 51	316-228H	13	8.0.9.00143	19	803-268C	11
1351.030.042	43, 51	316-230A	13	8.1.2.00197	43, 51	803-271C	17, 67
1351.032.076	43, 51	316-231A	13	8.2.1.00382	43, 51	803-289C	69
1351.068.041	51	316-232A	13	8.2.2.00555	19	803-308C	65, 67
1351.068.042	43	316-233A	13	8.3.0.01353	43, 51	803-342C	13
139710100	15	316-234A	13	8.4.1.01256	43, 51	804-007C	11, 13
141.025.363.1	61, 63	316-235H	13	8.4.4.01273	43, 51	804-012C	9, 17, 59
141.025.364.1	61	316-276A	13	8.4.7.00146	19	804-013C	9, 11, 17
142.250.3847521	61, 63	316-277H	13	8.5.9.00265	43, 51	804-015C	15, 57, 59, 67
142.256.0757521	61, 63	316-293H	9	8.6.5.00006	19	804-016C	65, 67
142.257.0757521	61, 63	316-299H	7	8.6.5.00447	43, 51	804-017C	65
148000	37	316-300A	57	8.6.8.01194	43, 51	804-022C	13
151.015.011	61, 63	316-302D	13	8.7.0.01148	43, 51	804-029C	17
151.015.011.1	61, 63	316-302H	17	8.7.1.01107	19	804-036C	7
151.015.012.1	61, 63	316-304A	67	8.7.3.00490	43, 51	804-066C	67
151.016.486	61, 63	316-304D	13	8.7.3.02206	43, 51	804-077C	57, 59
152.150.4140710	61, 63	316-305D	13	800-001C	9, 69	804-147C	15
153.150.108	61, 63	316-306H	17	800-060C	11	805-004C	17, 31
165.000.628	61, 63	316-311H	67	800-066C	9	805-017C	17, 31
174139	37	316-312D	13	800-080C	7, 17, 67	805-103C	9
180.014.240	61, 63	316-312H	65	800-392C	59	805-143C	13
180.015.130	61, 63	316-313H	65	801-023C	35	805-175C	9
180.015.279	61, 63	316-314A	65	802-005C	11	805-255C	67
180.015.288	61, 63	316-315H	65	802-012C	7	8050.505.000	39, 41, 45, 49
180.015.289	61, 63	316-316H	67	802-015C	21, 23, 25, 27, 29	8050.576.000	39, 41, 45, 49
180.016.483	61, 63	316-318A	27, 29	802-017C	9, 25, 27	806-051C	11
180.016.487	61, 63	316-319A	23	802-034C	13	8075.200.000	39, 41, 45, 49
180.016.790	61, 63	316-321A	57	802-038C	15	810-208C	55, 57, 59
186561	35	316-322A	59	802-041C	67	810-212C	57, 59
190.000.016	61, 63	316-323A	59	802-079C	17, 59	810-295C	57, 59
190.000.078	61, 63	316-324H	17	802-082C	65	810-312C	17, 31, 35
190.000.098	61, 63	316-335A	27, 29	802-091C	13	810-314C	15, 53
190.000.099	61, 63	316-336A	25	802-092C	9	810-887C	35
190.000.394	61, 63	316-362S	71	802-098C	9	810-944C	31, 37
190.000.451	61, 63	316-372D	13	802-115C	33	811-065C	31
190.000.912	61	316-385L	11	802-135C	69	811-133C	33
190.000.913	63	316-386H	11	802-148C	71	811-169C	33
2072.003.542	39, 45	316-400D	17	802-162C	67	811-170C	33
2072.006.542	49	316-412D	59	802-197C	17	811-337C	31
2072.007.042	41, 49	316-422D	17	802-214C	67	811-394C	31
2072.048.542	41	316-423D	17	802-224C	13	811-408C	57
2073.001.109	39, 41, 45, 49	316-430D	17	802-277C	15	811-409C	57
2073.002.109	39, 41, 45, 49	316-431D	17	802-280C	65, 67	811-410C	57, 59
2073.003.542	49	316-432D	17	802-281C	17	811-411C	15, 33, 59
2073.004.426	45, 49	316-459D	59	802-326C	67	811-567C	57, 59
2073.009.426	39, 41	316-462D	25, 27	802-449C	13	811-800C	33
		326-181D	27, 29	802-453C	25	8125.418.001	39, 41, 45, 49
		326-182D	27, 29	802-458C	57, 59	814-058C	65, 67
		326-214D	21	802-540C	57, 59		

Table of Contents Part Number Index



Part Number Index (continued)

Part Number	Page	Part Number	Page	Part Number	Page
814-161C	67	826-109C	57, 59	891-784C	11
815-092C	65, 67, 69	826-110C	15, 19	891-786C	11
815-230C	69	826-138C	39, 57	9010.320.000	43, 51
815-231C	69	826-492C	41, 43, 59	9020.355.000	47
816-182C	15	826-493C	49, 51, 59	9020.365.000	47
816-286C	69	826-790C	57, 63	9050.253.000	47
816-310C	25	826-791C	57, 61	9110.345.000	45, 47
816-437C	21	827-036C	69	9110.385.000	47
816-438C	21	829-012C	9	9116-003-00D	55
816-504C	13	8375.710.000	41, 49	9120.215.000	47
816-643C	9	838-289C	73	9222-361-00D	55
816-833C	7	838-517C	73	9290.225.000	43, 51
818-045C	73	838-614C	73	9490.310.000	47
818-055C	71	838-615C	73	9510.090.000	43, 47, 51
818-130C	73	838-964C	73	9510.105.500	47
818-142C	73	838-965C	73	9510.106.000	47
818-339C	73	841-080C	33	9510.560.000	47
818-349C	73	841-189C	31	9540.252.080	47
818-388C	73	841-190C	31	Dwg 12276	19
818-389C	73	841-241C	57	Dwg 12301	47
818-390C	73	841-242C	57	Dwg 13249	55
818-391C	73	841-269C	57, 59	Dwg 13250	53
818-402C	73	841-391C	33	Dwg 25902	35
818-438C	73	841-392C	33	Dwg 35078	45
818-554C	73	841-398C	59	Dwg 37400	9
818-555C	73	841-438C	57	Dwg 37402	15
818-556C	73	841-446C	57	Dwg 37406	27, 29
818-558C	73	842-237C	15	Dwg 37418	67
818-564C	73	842-265C	11	Dwg 37419	65
818-681C	73	84700146	15	Dwg 37430	73
818-830C	73	848-433C	73	Dwg 37435	69
818-831C	73	850-086C	37	Dwg 37450	43
818-893C	73	851-287C	33	Dwg 37452	41
818-901C	73	851-288C	31	Dwg 37455	49
820-112C	15	851-289C	31	Dwg 37456	51
8200.284.000	39, 41, 49	851-290C	33	Dwg 37457	39
8200.308.000	39, 41, 45, 49	851-306C	59	Dwg 37458	63
821-011C	75	851-307C	59	Dwg 37459	61
821-011CGL	75	851-359C	33, 57	Dwg 37482	71
821-011CQT	75	851-406C	31	Dwg 70035	11
821-011CTU	75	851-519C	59	Dwg 74848	37
821-054C	75	851-520C	59	dwg30125	13
821-054CGL	75	8525.350.000	41, 49	dwg37403	21
821-054CQT	75	8575.267.000	39, 41, 45, 49	dwg37404	23
821-054CTU	75	858-177C	73	dwg37405	25
821-058C	75	858-178C	73	dwg37417	17
821-058CGL	75	858-179C	73	dwg37421	57
821-058CQT	75	858-180C	73	dwg37422	59
821-058CTU	75	8600.142.000	39, 41, 45, 49	dwg37425	33
821-066C	75	8600.148.000	41, 49	dwg37428	31
821-066CGL	75	8600.149.000	39, 45	dwg37429	7
821-066CQT	75	8600.390.000	39, 41, 45, 49	J-37-A	11
821-066CTU	75	8600.670.000	39, 41, 45, 49	J-37-R	11
821-067C	75	8625.140.000	39, 41, 45, 49	J-AC1-15-B	11
821-067CGL	75	8675.188.100	39, 41, 45, 49	N/A	35, 61, 63, 73
821-067CQT	75	8675.201.100	39, 41, 45, 49		
821-067CTU	75	8682-023-00N	55		
821-070C	75	8682-023-T4N	55		
821-070CGL	75	890-005C	17		
821-070CQT	75	890-126C	7		
821-070CTU	75	890-153C	71		
821-080C	75	890-341C	23, 27, 29		
821-080CGL	75	890-401C	9		
821-080CQT	75	890-454C	57, 59		
821-080CTU	75	890-455C	57, 59		
822-091C	69	890-485C	23, 27, 29		
822-092C	69	890-961C	67		
822-214C	19	891-149C	9		
82200555	15	891-522C	11		
8225.248.000	39, 41, 45, 49	891-523C	11		
826-108C	45, 47, 57	891-531C	11		



Great Plains Manufacturing, Inc.

Corporate Office: P.O. Box 5060
Salina, Kansas 67402-5060 USA

www.landpride.com
