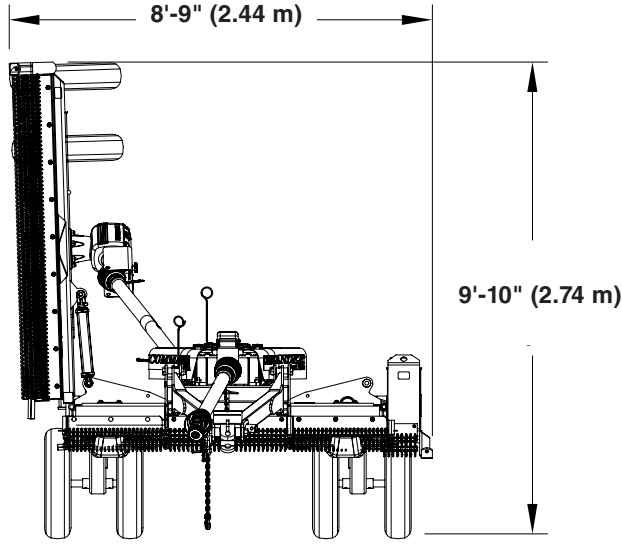


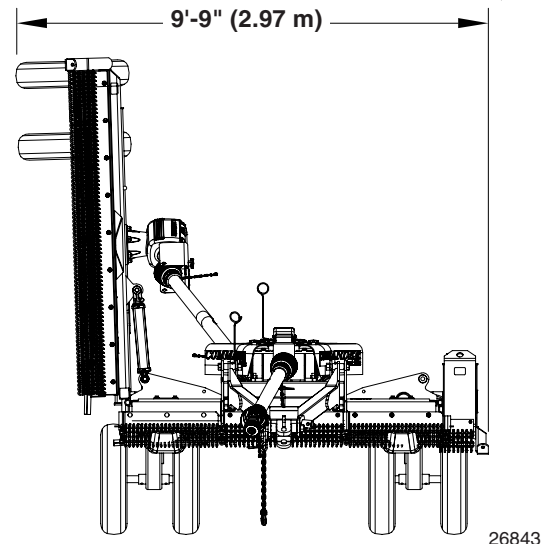
RC5014 & RCM5014 Models

Specifications & Capacities	
Min. horsepower	90 power take-off horsepower (67.1 kw)
Gearbox horsepower	250 (186.4 kw) Splitter 225 (167.8 kw) Center deck & wing deck
Gearbox lubrication & capacity	Center deck & wing: 10 pints (4.73 L) of gear lube 80-90W EP Divider gearbox: 5.5 pints (2.60 L) of gear lube 80-90W EP
Cutting capacity	Up to 3" (7.6 cm) material
Machine weight	7,340 lbs (3,329.4 kg)
Blade tip speed At 540 rpm At 1000 rpm	Center blade: 17,377 FPM (88.3 mps) & wing blade: 17,329 FPM (88 mps) Center blade: 18,165 FPM (92.3 mps) & wing blade: 18,317 FPM (93.1 mps)
Tongue weight	2,668 lbs (1,210.2 kg)
Hitch types	Standard clevis hitch, pintle hitch, ball hitch, LP performance hitch and bar-tite hitch
Hitch jack	Standard hand crank
Signal lights 7 Pin connector	LED (standard) SAE J560 pin configuration
Cutting width Overall width Minimum transport width	13'-6" (4.11 m) 15' (4.57 m) 8'-9" (2.44 m)
Overall length	19'-3" (5.87 m)
Deck height	10 1/2" (3.06 m)
Cutting height*	2" (5.1 cm) to 14" (35.6 cm) with hydraulic cylinder and stroke control spacers
Lift hydraulics	4" x 8" Hydraulic cylinder, hoses, fittings & stroke control spacers
Wing hydraulics	3 1/2" x 12" Hydraulic cylinders, hoses & fittings
Wing transport protection	Wing transport lock
Deck sheet thickness	10g (3.4 mm) top and 10g (3.4 mm) bottom
Side skirt thickness	1/4" (6 mm)
Wing deck skid shoes Center deck skid shoes Weight box skid shoe	Replaceable Replaceable Replaceable
Blades - 4 (2 per carrier)	1/2" (13 mm) x 4" (10.2 cm) Heat-treated, free-swinging alloy steel with uplift
Blade overlap	6" (16.2 cm)
Blade bolt	Keyed with hardened flat washer & locknut
Stump jumper Blade holder	3/16" (5 mm) Round dish shaped bolt-on stump-jumper (optional) 1" (2.5 cm) diamond shaped blade bar
Deck rings (optional)	1/2" (13 mm) x 3" (7.6 cm) fully welded
Front & rear guards	Single chain or double chain
Heavy duty Input driveline options	Constant velocity u-joint ASAE Cat. 6 with or without over running clutch
Heavy duty Intermediate & wing drivelines	ASAE Cat. 5 with slip-clutch protection
Tire & wheel options	6" x 21" Laminated tires 6" x 26" Laminated tires 27" x 7.75" x 15" Used aircraft tires with foam filling 29" Used aircraft tires
Number of wheel	5 - Wheel option: 4 on transport axle and one on wing axle 6- Wheel option: 4 on transport axle and two on wing axle
Transport axle	Spring-cushioned on center transport axle or optional walking tandem on center axle
Hubs	Cast iron 5-bolt hubs with tapered roller bearings and with 1 3/4" (4.4 cm) shafts

* Maximum cut height is dependent on tire options selected.



Transport Width With Wing Axle Disconnected At The Turnbuckle And Wheel Folded Back
(See Figure 1-17 on page 19)



Transport Width With Wing Axle Connected At The Turnbuckle

26843

