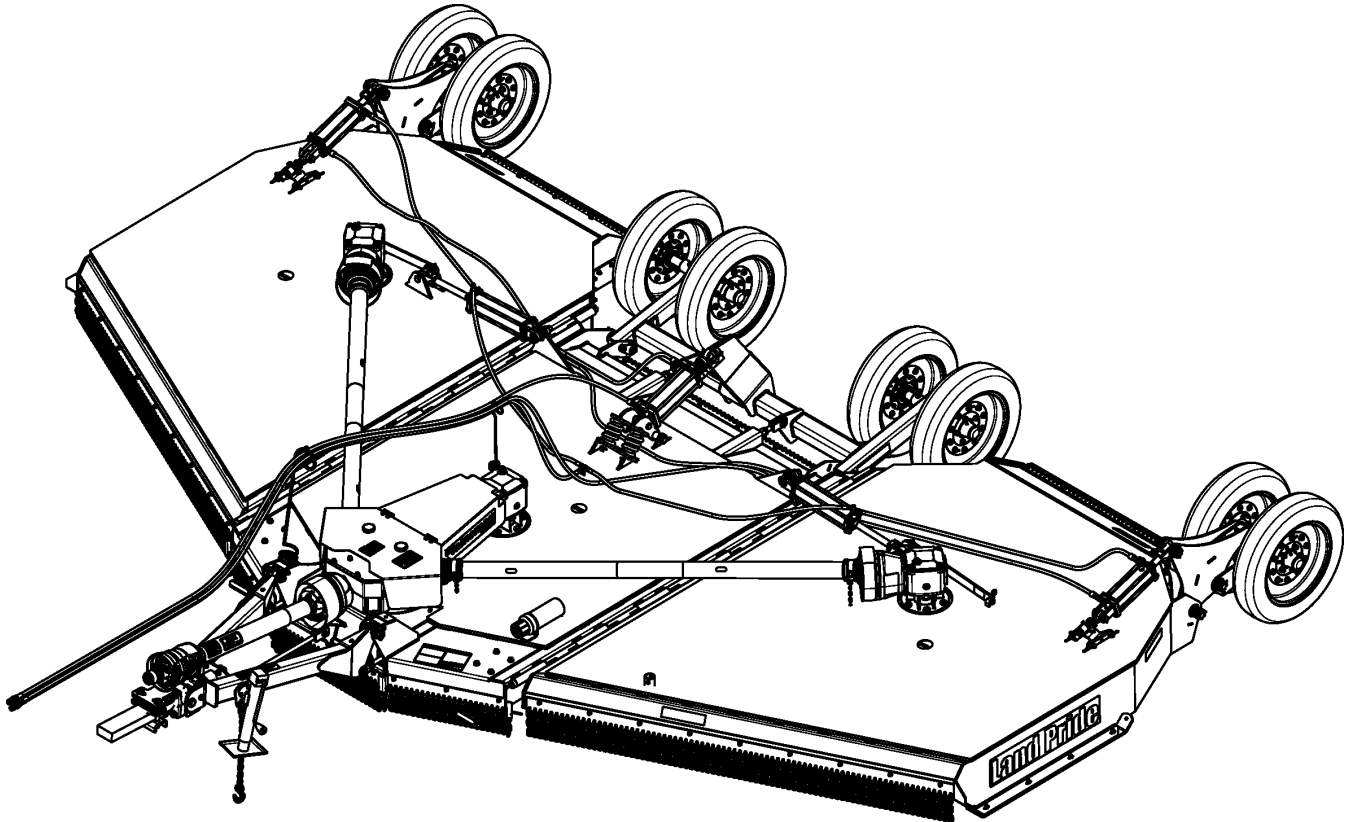


# Rotary Cutters

---

RC(M)3620



33586

## 330-841P Parts Manual



Read the Operator's Manual entirely. When you see this symbol, the subsequent instructions and warnings are serious - follow without exception. Your life and the lives of others depend on it!

© Copyright 2020 Printed 06/25/20

Cover photo may show optional equipment not supplied with standard unit.





# Table of Contents

<b>Section 1: Introduction.....</b>	<b>4</b>	Driveline Wing (826-494C) Comer.....	78
Using This Manual.....	4	Driveline Wing (826-819C) Comer.....	80
Manual Replacement Information.....	4	<b>Section 5: Drivelines (540 RPM).....</b>	<b>82</b>
Manual Revisions.....	4	Driveline (826-715C).....	82
Touch-up Paint.....	4	Driveline (826-716C).....	84
Hardware Legend.....	5	Driveline (826-816C) Comer.....	86
Replacement Hardware.....	5	Driveline Center (826-495C) Comer.....	88
Serial Numbers.....	5	Driveline Center (826-820C) Comer.....	90
Part Number Service Coding.....	5	Driveline Conv. 540 RPM (826-112C) Walterscheid.....	92
<b>Section 2: Decks &amp; Hitches.....</b>	<b>6</b>	Driveline CV 1.38 540 RPM (826-643C) Weasler.....	94
Blade Carrier CCW LH DECK.....	6	Driveline Slip Clutch (146.264.024.1) Comer.....	96
Blade Carrier CW CTR & RH DECK.....	8	Driveline Slip Clutch (146.284.020.1) Comer.....	98
Deck Center Section.....	10	Driveline Slip Clutch (396674) Walterscheid.....	100
Deck Wing Section.....	14	Driveline Wing (826-494C) Comer.....	102
Hitch A-Frame S/N 1011316-.....	16	Driveline Wing (826-819C) Comer.....	104
Hitch A-Frame S/N 1011317+.....	18	<b>Section 6: Gearboxes (1000 RPM).....</b>	<b>106</b>
Hitch Ball Coupler.....	20	Divider Box 1000 RPM 1.35:1 (826-709C).....	106
Hitch Bar Tite.....	22	Gearbox (826-712C).....	108
Hitch LP Performance S/N 1000385-.....	24	Gearbox (826-713C).....	110
Hitch LP Performance S/N 1000386+.....	26	Gearbox (826-714C).....	112
Hitch Pintel.....	28	<b>Section 6: Gearboxes (540 RPM).....</b>	<b>114</b>
Hitch Standard Pivoting Clevis.....	30	Divider Box 540 RPM 1:1.35 (826-708C).....	114
Hitch Swivel.....	32	Gearbox (826-711C).....	116
Leveling Rod.....	34	Gearbox (826-712C).....	118
Lights 3.5 Inch (LED).....	36	Gearbox (826-713C).....	120
<b>Section 3: Axles.....</b>	<b>38</b>	<b>Section 7: Hydraulics.....</b>	<b>122</b>
Axle Center.....	38	Hydraulic Cylinder (810-362C) Cross.....	122
Axle Wing.....	40	Hydraulic Cylinder (810-362C) Midway.....	124
Hub Assembly (330-938K).....	42	Hydraulic Cylinder (810-738C) Red Lion.....	126
Spindle & Hub Assembly (331-496S).....	44	Hydraulic Cylinder (810-838C) Red Lion.....	128
Spindle & Hub Assembly (334-566S).....	46	Hydraulic Cylinder (850-327C) Monarch.....	130
<b>Section 4: Guards.....</b>	<b>48</b>	Hydraulic Cylinder Plumbing Components.....	132
Guards Chain Double Row Front.....	48	Hydraulic Cylinder Rephase (810-632C) Monarch.....	134
Guards Chain Double Row Rear.....	50	Hydraulic Cylinder Rephase (810-831C) Red Lion.....	136
Guards Chain Single Row Front.....	52	Hydraulic Cylinders W/ Mounting Components.....	138
Guards Chain Single Row Rear.....	54	<b>Section 8: Decals.....</b>	<b>140</b>
<b>Section 5: Drivelines (1000 RPM).....</b>	<b>56</b>	Decal Placement.....	140
Driveline (826-715C).....	56	Touch-up Paints - LP.....	142
Driveline (826-716C).....	58	<b>Section 9: Options.....</b>	<b>144</b>
Driveline (826-816C) Comer.....	60	Lights 3.5 Inch (LED).....	144
Driveline Center (826-495C) Comer.....	62	Tire Options.....	146
Driveline Center (826-820C) Comer.....	64	<b>Part Number Index.....</b>	<b>148</b>
Driveline Conv. 1000 RPM (826-247C) Walterscheid.....	66		
Driveline CV 1.38 1000 RPM (826-644C) Weasler.....	68		
Driveline CV 1.38 1000 RPM W/ Overrunning Clutch (826-793C) Weasler.....	70		
Driveline Slip Clutch (146.264.024.1) Comer.....	72		
Driveline Slip Clutch (146.284.020.1) Comer.....	74		
Driveline Slip Clutch (396674) Walterscheid.....	76		

© Copyright 2020. All rights reserved.

Land Pride provides this publication "as is" without warranty of any kind, either expressed or implied. While every precaution has been taken in the preparation of this manual, Land Pride assumes no responsibility for errors or omissions. Neither is any liability assumed for damages resulting from the use of the information contained herein. Land Pride reserves the right to revise and improve its products as it sees fit. This publication describes the state of this product at the time of its publication, and may not reflect the product in the future. The illustrations in this manual are not intended for safe and proper assembly or disassembly of equipment. The illustrations are intended for ordering parts only.

Land Pride is registered trademark.

All other brands and product names are trademarks or registered trademarks of their respective holders.

Printed in the United States of America.



# Alphabetized Table of Contents

<b>A</b>		Hitch Bar Tite.....	22
	Axle Center.....	Hitch LP Performance S/N 1000385-.....	24
	Axle Wing.....	Hitch LP Performance S/N 1000386+.....	26
<b>B</b>		Hitch Pintel.....	28
	Blade Carrier CCW LH DECK.....	Hitch Standard Pivoting Clevis.....	30
	Blade Carrier CW CTR & RH DECK.....	Hitch Swivel.....	32
<b>D</b>		Hub Assembly (330-938K).....	42
	Decal Placement.....	Hydraulic Cylinder (810-362C) Cross.....	122
	Deck Center Section.....	Hydraulic Cylinder (810-362C) Midway.....	124
	Deck Wing Section.....	Hydraulic Cylinder (810-738C) Red Lion.....	126
	Divider Box 1000 RPM 1.35:1 (826-709C).....	Hydraulic Cylinder (810-838C) Red Lion.....	128
	Divider Box 540 RPM 1:1.35 (826-708C).....	Hydraulic Cylinder (850-327C) Monarch.....	130
	Driveline (826-715C).....	Hydraulic Cylinder Plumbing Components.....	132
	Driveline (826-715C).....	Hydraulic Cylinder Rephase (810-632C) Monarch.....	134
	Driveline (826-716C).....	Hydraulic Cylinder Rephase (810-831C) Red Lion.....	136
	Driveline (826-716C).....	Hydraulic Cylinders W/ Mounting Components.....	138
	Driveline (826-716C).....		
	Driveline (826-816C) Comer.....	<b>L</b>	
	Driveline (826-816C) Comer.....	Leveling Rod.....	34
	Driveline Center (826-495C) Comer.....	Lights 3.5 Inch (LED).....	36
	Driveline Center (826-495C) Comer.....	Lights 3.5 Inch (LED).....	144
	Driveline Center (826-820C) Comer.....	<b>S</b>	
	Driveline Center (826-820C) Comer.....	Spindle & Hub Assembly (331-496S).....	44
	Driveline Conv. 1000 RPM (826-247C) Walterscheid.....	Spindle & Hub Assembly (334-566S).....	46
	Driveline Conv. 540 RPM (826-112C) Walterscheid.....	<b>T</b>	
	Driveline CV 1.38 1000 RPM (826-644C) Weasler.....	Tire Options.....	146
	Driveline CV 1.38 1000 RPM W/ Overrunning Clutch (826-793C) Weasler.....	Touch-up Paints - LP.....	142
	Driveline CV 1.38 540 RPM (826-643C) Weasler.....		
	Driveline Slip Clutch (146.264.024.1) Comer.....		
	Driveline Slip Clutch (146.264.024.1) Comer.....		
	Driveline Slip Clutch (146.284.020.1) Comer.....		
	Driveline Slip Clutch (146.284.020.1) Comer.....		
	Driveline Slip Clutch (146.284.020.1) Comer.....		
	Driveline Slip Clutch (396674) Walterscheid.....		
	Driveline Slip Clutch (396674) Walterscheid.....		
	Driveline Wing (826-494C) Comer.....		
	Driveline Wing (826-494C) Comer.....		
	Driveline Wing (826-819C) Comer.....		
	Driveline Wing (826-819C) Comer.....		
<b>G</b>			
	Gearbox (826-711C).....		
	Gearbox (826-712C).....		
	Gearbox (826-712C).....		
	Gearbox (826-713C).....		
	Gearbox (826-713C).....		
	Gearbox (826-713C).....		
	Gearbox (826-714C).....		
	Guards Chain Double Row Front.....		
	Guards Chain Double Row Rear.....		
	Guards Chain Single Row Front.....		
	Guards Chain Single Row Rear.....		
<b>H</b>			
	Hitch A-Frame S/N 1011316-.....		
	Hitch A-Frame S/N 1011317+.....		
	Hitch Ball Coupler.....		

# General Information

## Using This Manual

This manual is divided into sections. The first section contains General Information. The remaining sections divide the machine into segments (i.e. Frames, Drives, Hydraulics, etc.) which illustrate and list all parts. A Parts Number Index is located at the back of the book.

The Land Pride parts in this manual are specially designed for this machine and should be replaced with Land Pride parts only.

The information in this manual is current at time of printing. Some parts may change to assure top performance.

Right-hand and left-hand as used in this manual are determined by facing the direction the machine will travel while in use.

Below is an example of two facing pages from a parts manual. Familiarize yourself with the type of information contained on these pages.

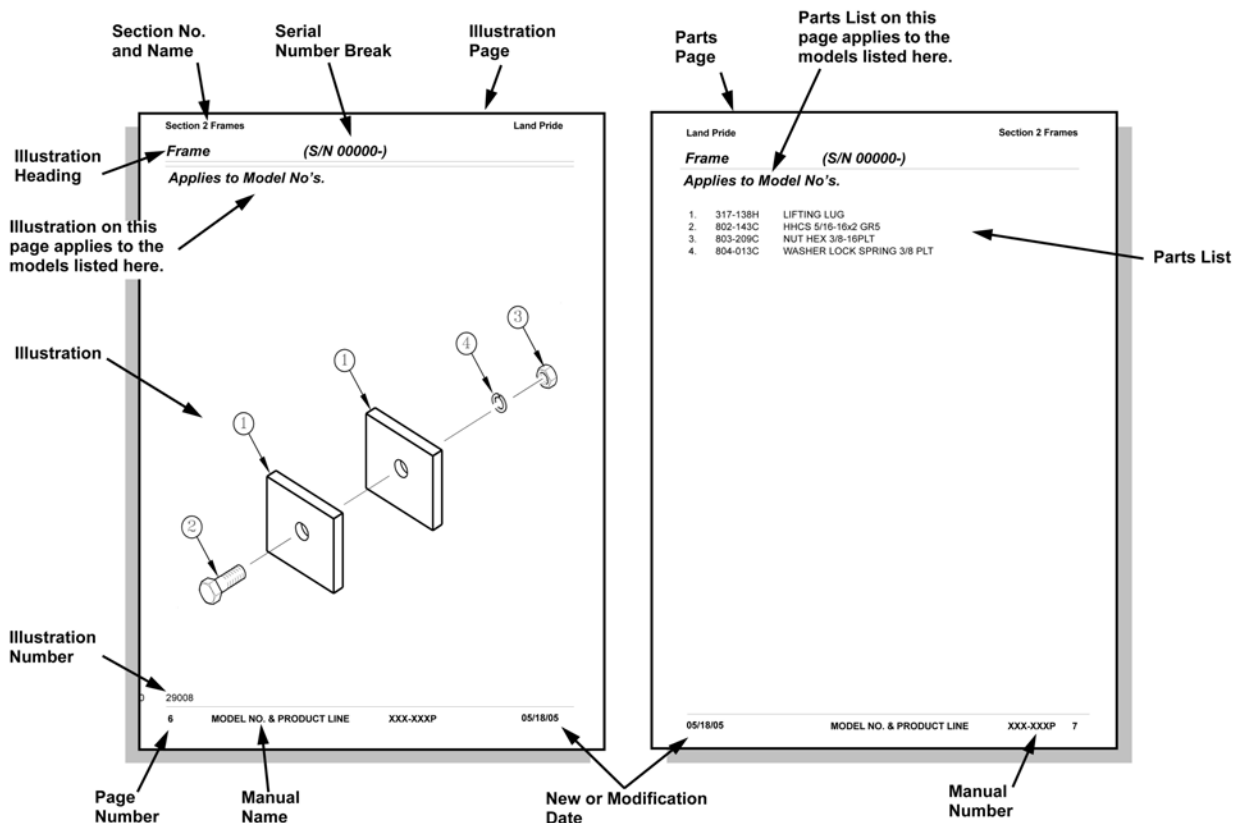
## Manual Replacement Information

Replacement manuals are available. Refer to our website at [www.landpride.com](http://www.landpride.com) or e-mail us at [lit@landpride.com](mailto:lit@landpride.com) for additional information. Our website continues to provide the most up-to-date manuals available.

## Touch-up Paint

Repaint parts where paint is worn or scratched to prevent rust. Aerosol cans and touch-up bottles with brush applicator are available through your local dealer. Also available are quart and gallon size paints. Add QT or GL to end of the Aerosol P/N.

Land Pride color descriptions and part numbers are listed on the "Land Pride Touch-up Paints" page in the "Decals" section of this book. Color options vary by product.



## General Information

### Hardware Legend

<b>AR</b>	As Required
<b>BLADE</b>	Blade Bolt
<b>C</b>	Cap Screw
<b>CP</b>	Cotter Pin
<b>CPHSSS</b>	Cup Point Hex Socket Set Screw
<b>CPSHSS</b>	Cup Point Square Head Set Screw
<b>CPSQHSS</b>	Cup Point Square Head Set Screw
<b>CRFCHMS3</b>	Cross Recess Flat Countersunk Head Machine Screw
<b>CRPHMS</b>	Cross Recess Pan Head Machine Screw
<b>CRPHTF</b>	Cross Recess Pan Head Thread Forming
<b>CRRHMS</b>	Cross Recess Round Head Machine Screw
<b>CRTHMS</b>	Cross Recess Truss Head Machine Screw
<b>CSNB</b>	Countersunk Square Neck Bolt
<b>FHMS</b>	Flat Head Machine Screw
<b>FTC</b>	Full Thread Cap Screw
<b>H</b>	Hex Nut
<b>HCLN</b>	Hex Center Lock Nut
<b>HFLCS</b>	Hex Flange Lock Cap Screw
<b>HFS</b>	Hex Flange Screw
<b>HFSLN</b>	Hex Flange Serrated Lock Nut
<b>HFSS</b>	Hex Flange Serrated Screw
<b>HHCS</b>	Hex Head Cap Screw or Metric Bolt
<b>HSBHCS</b>	Hex Socket Button Head Cap Screw
<b>HSFCHCS</b>	Hex Socket Flat Countersunk Head Cap Screw
<b>HSHCS</b>	Hex Socket Head Cap Screw
<b>HSSS</b>	Hex Socket Head Screw
<b>HTLN</b>	Hex Top Lock Nut
<b>HWHCS</b>	Hex Washer Head Cap Screw

<b>HWHMS</b>	Hex Washer Head Machine Screw
<b>HXBHCS</b>	Hex Socket Button Head Cap Screw
<b>J</b>	Hex Jam Nut
<b>JIC</b>	37 Degree Tapered Thread
<b>L</b>	Helical Spring Lock Washer
<b>LUG</b>	Lug Bolt
<b>NFC</b>	National Fine Cap Screw
<b>NPSM</b>	National Pipe Straight Mechanical
<b>NPTF</b>	National Pipe Taper Fuel
<b>P</b>	Wide Plain Washer
<b>PHMS</b>	Pan Head Machine Screw
<b>PLOW</b>	Plow Bolt
<b>RHMS</b>	Round Head Machine Screw
<b>RHSNB</b>	Round Head Square Neck Bolt
<b>SCREW LEVELING</b>	Leveling Screw
<b>SCREW THUMB</b>	Thumb Screw
<b>SCREW WELD</b>	Weld Screw
<b>SFCHMS</b>	Slotted Flat Countersunk Head Machine Screw
<b>SFHMS</b>	Slotted Fillister Head Machine Screw
<b>SP</b>	Special
<b>SP SCREW</b>	Special Screw
<b>SQHSS</b>	Square Head Set Screw
<b>SRHMS</b>	Slotted Round Head Machine Screw
<b>SSS</b>	Socket Set Screw
<b>STCS</b>	Self Tapping Cap Screw
<b>STHMS</b>	Slotted Truss Head Machine Screw
<b>WHEEL</b>	Wheel Studs and Hub Long Bolts
<b>WING</b>	Wing Bolt

### Replacement Hardware

The **Hardware Legend** above lists hardware abbreviations used in the parts list. All bolts and nuts are Grade 5 unless otherwise noted. The use of improper grades of hardware can result in personal injury, damage to equipment, or loss of property.

### Colored Replacement Parts

Land Pride offers replacement parts in factory standard colors and also on select models in Green, Orange, Red and Blue. Because of the variety of colors available, special attention must be given to the part number to prevent ordering the wrong replacement part.

A suffix number corresponding to one of the colors below must be added at the end of Land Pride's part number when ordering a replacement part with that color.

**81 . . . . . Green      83 . . . . . Red**  
**82 . . . . . Orange    84 . . . . . Blue**

For example, if you are ordering a replacement part with part number 555-555C and the part you need is red, then add the suffix 83 to the end of the number to make the part number read 555-555C83. Parts ordered without a suffix number will be supplied in factory standard colors.

### Black Replacement Parts

Some parts are factory standard black and some must be special ordered black. If your part is special ordered black, a second part number with the additional suffix number 85 on the end will be available. In this situation you must order that part with the suffix number for it to be black. Parts that are factory standard black will not have the suffix number.

### Part Number Service Coding

Within the parts list some part numbers are coded for revisions and interchangeability. See notations in revision column.

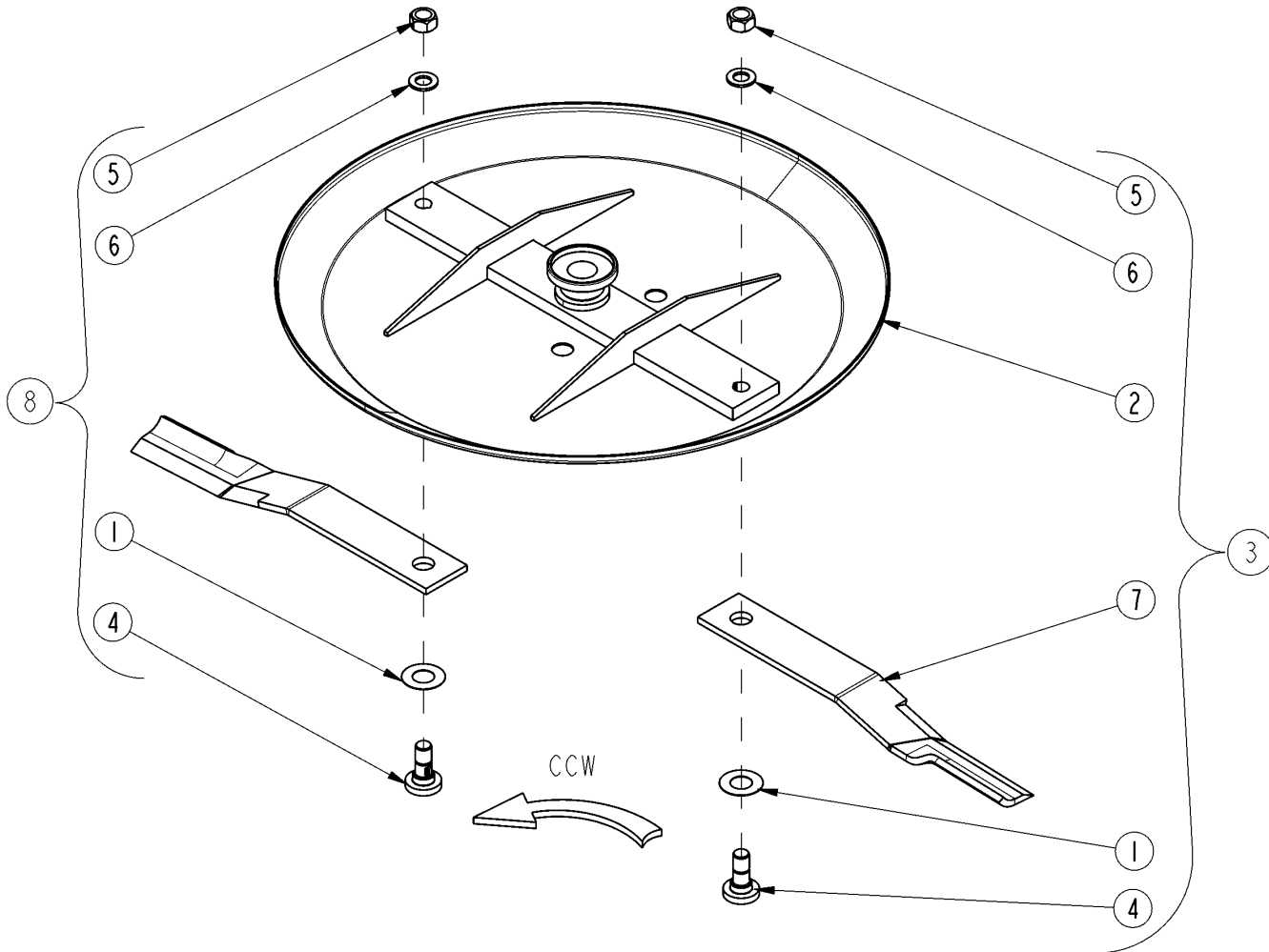
### Serial Numbers

Always use the serial and model number when ordering parts. Refer to the Operator's Manual for serial number plate location.

- |                      |  |
|----------------------|--|
| (S/N 20001+)         | Includes serial numbers 20001 and above (to the latest number)   |
| (S/N 10001 to 20000) | Includes serial numbers between and including 10001 and 20000    |
| (S/N 10000-)         | Includes serial numbers 10000 and below (to the earliest number) |

# Blade Carrier CCW LH DECK

Applies to RC3620, RCM3620



33587

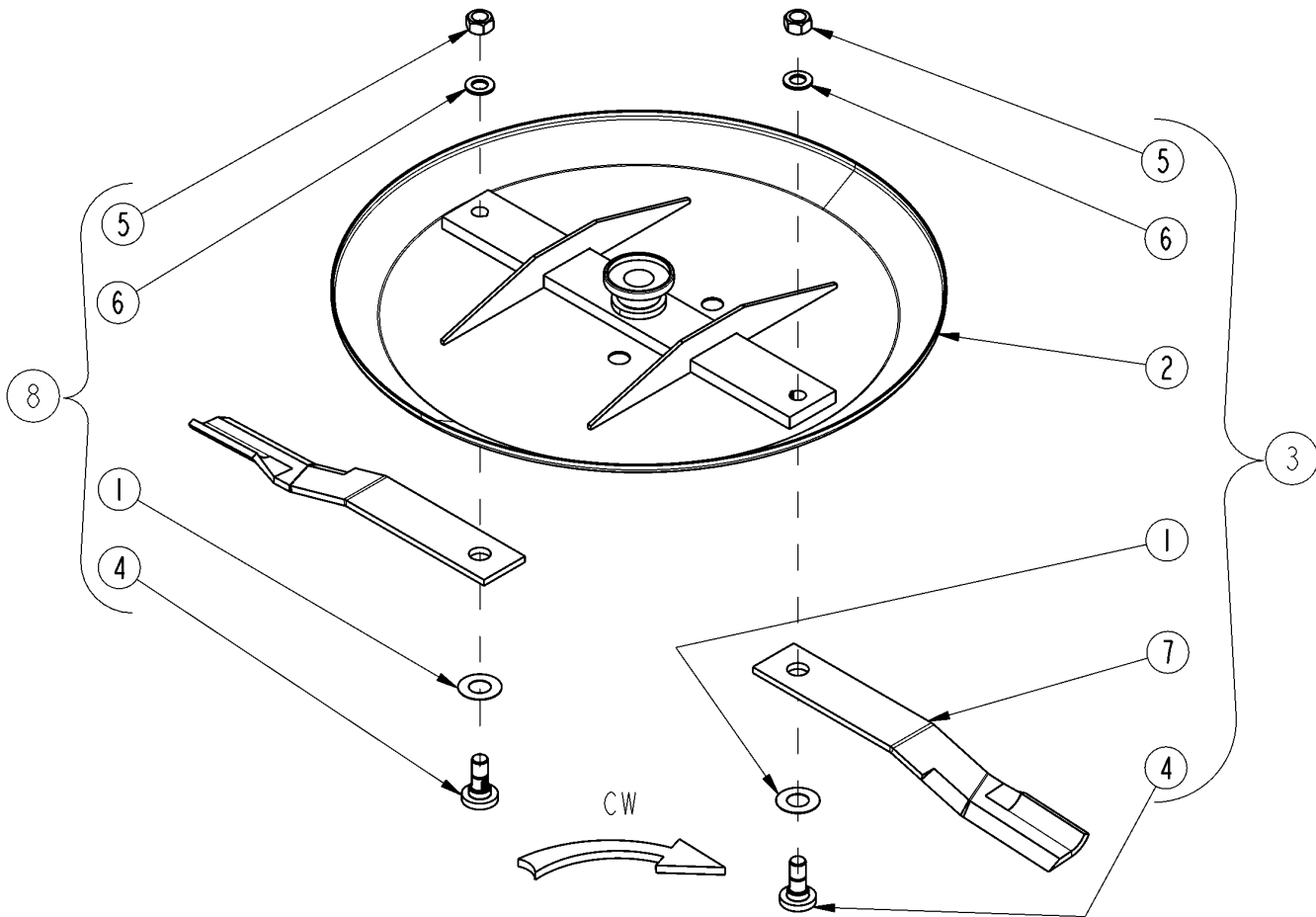
**Blade Carrier CCW LH DECK****Applies to RC3620, RCM3620**

<b>Ref</b>	<b>Part No.</b>	<b>Part Description</b>	<b>Comments</b>	<b>Revision</b>
	Dwg 33587	Drawing Image Number		
1.	312-082D	RPBY 312-808D QTY 2	As Required S/N 776426-	
1.	312-075D	BLADE SPACER 16 GA. .064 Thick	As Required S/N 776426-	
1.	312-089D	BLADE SPACER 20 GA. .04 Thick	As Required S/N 776426-	
1.	312-808D	BLADE SPACER 24 GA. .03 Thick	As Required S/N 776426-	
2.	330-796H	BLADE CARRIER WLDMNT		
3.	N/A	BLADE CARRIER CCW ASSY	LH Deck	
4.	802-277C	BLD BLT 1 1/8-12X3.44 W/.25KEY		
5.	803-170C	NUT HEX TOP LOCK 1 1/8-12 PLT.		
6.	804-147C	WASHER FLAT 1" HARDENED		
7.	820-168C	CUTTER BLADE 1/2X4X29		
8.	318-586A	BLADE BOLT KIT		



# Blade Carrier CW CTR & RH DECK

Applies to RC3620, RCM3620



33588

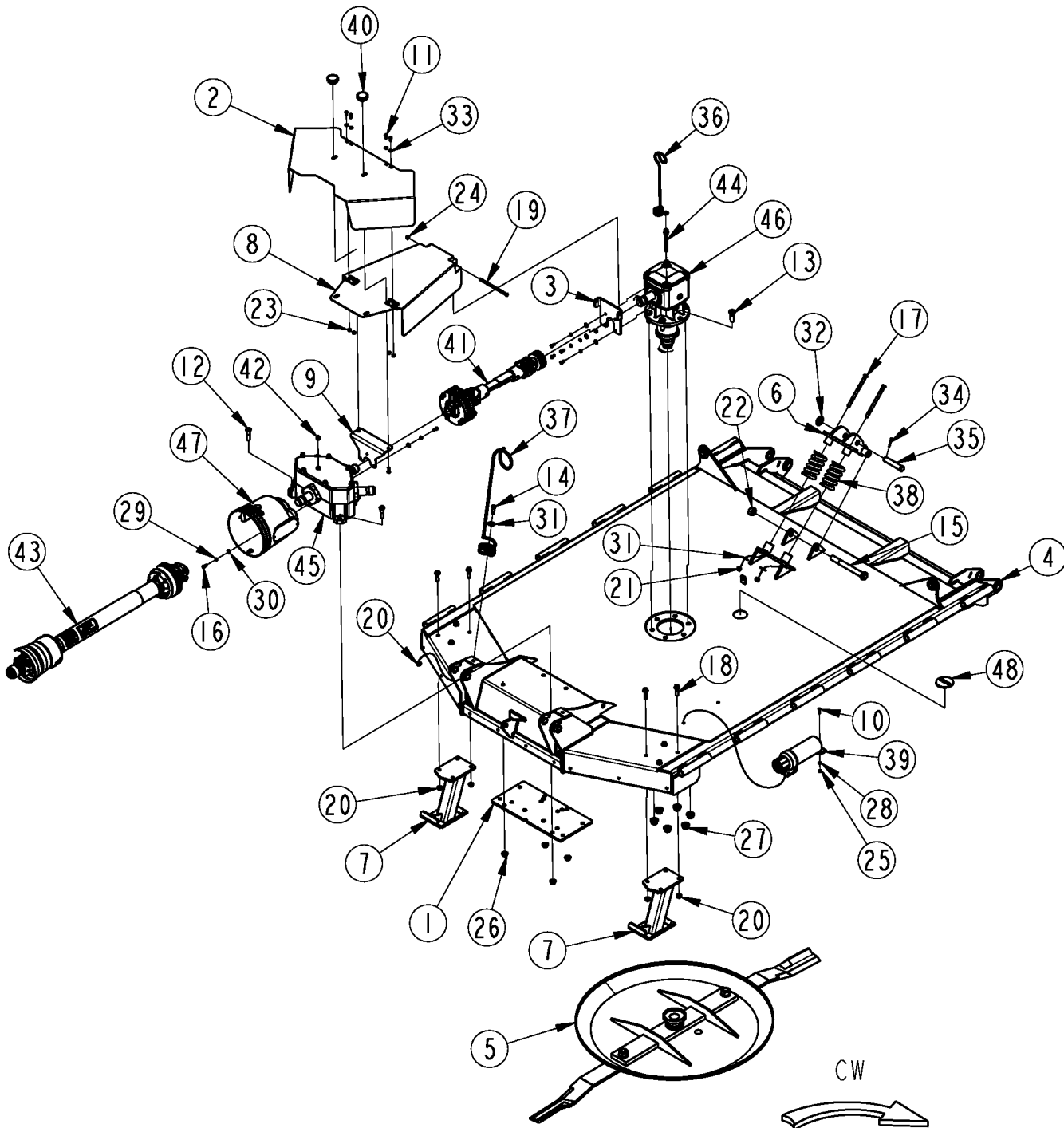


**Blade Carrier CW CTR & RH DECK****Applies to RC3620, RCM3620**

<b>Ref</b>	<b>Part No.</b>	<b>Part Description</b>	<b>Comments</b>	<b>Revision</b>
	Dwg 33588	Drawing Image Number		
1.	312-082D	RPBY 312-808D QTY 2	As Required S/N 776426-	
1.	312-075D	BLADE SPACER 16 GA. .064 Thick	As Required S/N 776426-	
1.	312-089D	BLADE SPACER 20 GA. .04 Thick	As Required S/N 776426-	
1.	312-808D	BLADE SPACER 24 GA. .03 Thick	As Required	
2.	330-796H	BLADE CARRIER WLDMNT		
3.	N/A	BLADE CARRIER CW ASSY	Center & RH Deck	
4.	802-277C	BLD BLT 1 1/8-12X3.44 W/.25KEY		
5.	803-170C	NUT HEX TOP LOCK 1 1/8-12 PLT.		
6.	804-147C	WASHER FLAT 1" HARDENED		
7.	820-249C	CUTTER BLADE 1/2X4X29 CW		
8.	318-586A	BLADE BOLT KIT		

# Deck Center Section

Applies to RC3620, RCM3620



33829

**Deck Center Section****Applies to RC3620, RCM3620**

Ref	Part No.	Part Description	Comments	Revision
	Dwg 33829	Drawing Image Number		
1.	318-746D	PLATE, DIV. BOX SUPPORT		
2.	330-661D	SHIELD, FRONT HALF		
3.	330-662D	BRKT, SHIELD MOUNT		
4.	330-759H	DECK CENTER W/O DR	Without Deck Rings	
4.	330-759H81	DECK CENTER W/O DR GREEN		
4.	330-759H82	DECK CENTER W/O DR ORANGE		
4.	330-759H83	DECK CENTER W/O DR RED		
4.	330-873H	DECK CENTER W/ DR	With Deck Rings	
4.	330-873H81	DECK CENTER W/ DR GREEN		
4.	330-873H82	DECK CENTER W/ DR ORANGE		
4.	330-873H83	DECK CENTER W/ DR RED		
5.		SEE BLADE CARRIER FOR COMPONENTS		
6.	330-801H	SPRING TRUNNION		
7.	330-802H	SKID SHOE		
8.	331-046H	SHIELD, REAR HALF		
9.	331-047H	SHIELD, LOCK BRKT		
10.	802-005C	HHCS 1/4-20X1 GR5		
11.	802-007C	HHCS 5/16-18X3/4 GR5		
12.	802-058C	HHCS 5/8-11X2 1/2 GR5		
13.	802-065C	HHCS 3/4-10X2 1/4 GR5		
14.	802-091C	HHCS 1/2-13X1 1/2 GR5		
15.	802-287C	HHCS 1-8X9 1/2 GR5		
16.	802-314C	HHCS M8X1.25X20 GR8.8		
17.	802-377C	HHCS 1/2-13X7 1/2 GR5		
18.	802-456C	HFS 1/2-13X2 GR8		
19.	802-900C	HHCS 3/8-16X8 GR5 ZNYCR		
20.	803-037C	NUT HEX WHIZ 1/2-13 PLT		
21.	803-147C	NUT HEX NYLOCK 1/2-13		
22.	803-168C	NUT HEX TOP LOCK 1-8 PLT		
23.	803-177C	NUT HEX FLG TP LK 5/16-18ZNYCR		
24.	803-209C	NUT FLANGE LOCK 3/8-16 PLT		
25.	803-255C	NUT HEX NYLOCK 1/4-20		
26.	803-263C	NUT HEX FLANGE LOCK 5/8-11 PLT		
27.	803-299C	NUT HEX FLG TOP LK 3/4-10 PLT		
28.	804-007C	WASHER FLAT 1/4 SAE PLT		
29.	804-009C	WASHER LOCK SPRING 5/16 PLT		
30.	804-010C	WASHER FLAT 5/16 USS PLT		
31.	804-017C	WASHER FLAT 1/2 USS PLT		
32.	804-029C	WASHER FLAT 1 SAE		
33.	804-036C	WASHER FLAT 5/16 SAE PLT		
34.	805-104C	PIN COTTER 3/16 X 1 1/2 PLT		
35.	805-131C	PIN CLEVIS 1 X 4 11/16 USABLE		
36.	807-023C	SPRING HOSE LOOP		
37.	807-073C	SPRING HOSE LOOP HEAVY		
38.	807-271C	SPRING COMP 3.20OD .63W 5.5L		
39.	816-481C	MANUAL STORAGE CONTAINER		
40.	817-259C	KNOB 3/8-16 FEMALE THD 2 3/8OD		
41.	826-820C	PTO E60 X 27.44 1280NM CLUTCH	S/N 983740+	
41.	826-495C	RPBY 826-820C	S/N 983739- Cat 5 (OBSOLETE)	
41.	826-715C	DRVLN, INT CAT 4 W/CLUTCH	Cat 4	
42.	826-497C	COMER VENT #8.6.7.00269		
43.	826-112C	PTO 2500 X 39.76 NO CLUTCH	540 RPM Std	
43.	826-643C	DRVLN C6 42 1.38-6 CV	540 RPM CV	
43.	826-247C	PTO 2500 CAT.5 1000 1 3/8-21	1000 RPM Std	
43.	826-644C	DRVLN C6 42 1.38-21 CV	1000 RPM CV	
43.	826-793C	DRVLN C6 39 1.38-21 CV ORCLTCH	1000 RPM CV	
44.	826-700C	VENT/DIPSTICK		

**Deck Center Section (continued)**

---

**Applies to RC3620, RCM3620**

<b>Ref</b>	<b>Part No.</b>	<b>Part Description</b>	<b>Comments</b>	<b>Revision</b>
45.	826-708C	DIV BOX 540RPM 1:1.35	RC3620	
45.	826-709C	DIV BOX 1000RPM 1.35:1	RCM3620	
46.	826-711C	GBOX LF227 1:1.35 REV	RC3620	
46.	826-714C	GBOX LF227 1.35:1 REV	RCM3620	
47.	837-101C	LAND PRIDE CONE		
47.	826-519C	SMALL SHAFT CONE W/ACCESS DOOR	This cone has been replaced with 837-101C	
48.	840-273C	PLUG LP 3" ID RUBBER		

***Deck Center Section (continued)***

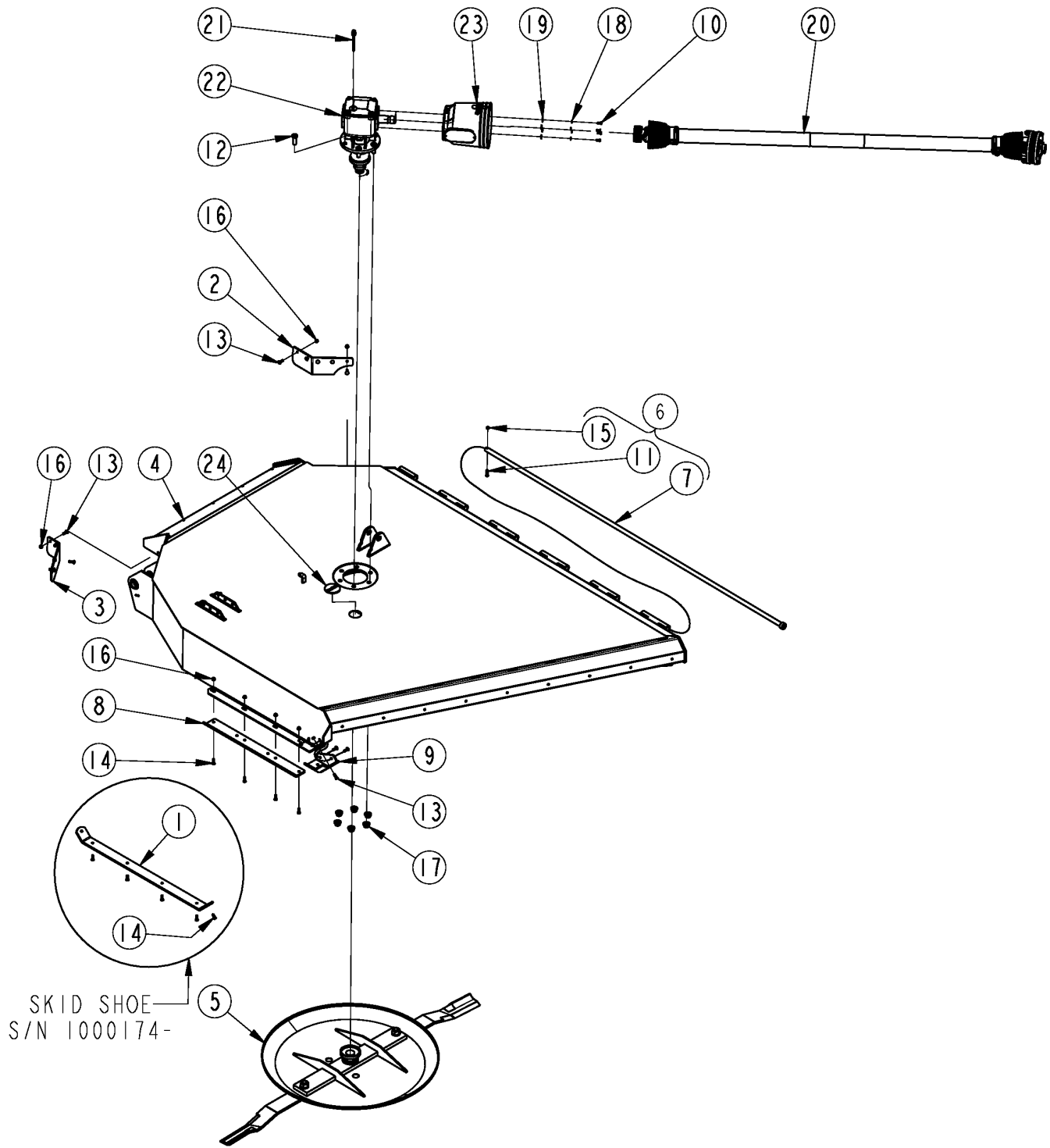
---

**Applies to RC3620, RCM3620**

***This Page Intentionally Left Blank***

# Deck Wing Section

Applies to RC3620, RCM3620



33831

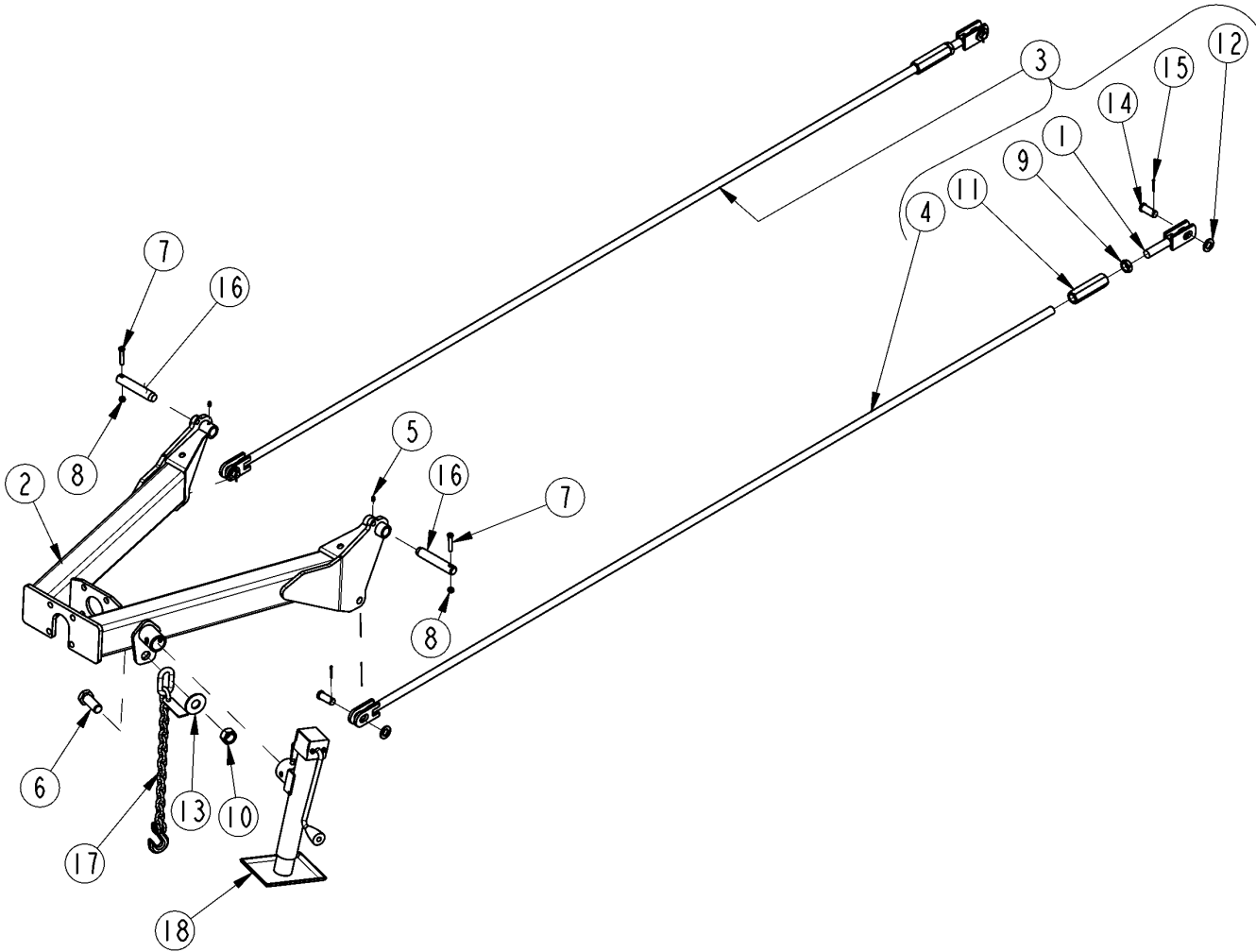
**Deck Wing Section****Applies to RC3620, RCM3620**

Ref	Part No.	Part Description	Comments	Revision
	Dwg 33831	Drawing Image Number		
1.	318-441D	SKID SHOE	S/N 1000173-	
2.	330-522D	DEFLECTOR INNER RH		
2.	330-528D	DEFLECTOR INNER LH		
3.	330-526D	DEFLECTOR OUTER RH		
3.	330-529D	DEFLECTOR OUTER LH		
4.	330-761H	DECK WING RH W/O DR	Without deck rings	
4.	330-761H81	DECK WING RH W/O DR GREEN		
4.	330-761H82	DECK WING RH W/O DR ORANGE		
4.	330-761H83	DECK WING RH W/O DR RED		
4.	330-762H	DECK WING LH W/O DR	Without deck rings	
4.	330-762H81	DECK WING LH W/O DR GREEN		
4.	330-762H82	DECK WING LH W/O DR ORANGE		
4.	330-762H83	DECK WING LH W/O DR RED		
4.	330-874H	DECK WING RH W/ DR	With deck rings	
4.	330-874H81	DECK WING RH W/ DR GREEN		
4.	330-874H82	DECK WING RH W/ DR ORANGE		
4.	330-874H83	DECK WING RH W/ DR RED		
4.	330-875H	DECK WING LH W/ DR	With deck rings	
4.	330-875H81	DECK WING LH W/ DR GREEN		
4.	330-875H82	DECK WING LH W/ DR ORANGE		
4.	330-875H83	DECK WING LH W/ DR RED		
5.		SEE BLADE CARRIER FOR COMPONENTS		
6.	330-806L	ASSY HINGE ROD		
7.	330-807H	HINGE ROD		
8.	330-835D	WING SKID SHOE	S/N 1000174+	
9.	331-120H	HARDENED WING SKID SHOE	S/N 1000174+	
10.	802-007C	HHCS 5/16-18X3/4 GR5		
11.	802-022C	HHCS 3/8-16X1 1/2 GR5		
12.	802-065C	HHCS 3/4-10X2 1/4 GR5		
13.	802-155C	RHSNB 3/8-16X1 1/4 GR5		
14.	802-466C	PLOW 3/8-16X1 1/4 GR5		
15.	803-123C	NUT HEX TOP LOCK 3/8-16 PLT		
16.	803-198C	NUT HEX WHIZ 3/8-16 PLT		
17.	803-299C	NUT HEX FLG TOP LK 3/4-10 PLT		
18.	804-009C	WASHER LOCK SPRING 5/16 PLT		
19.	804-010C	WASHER FLAT 5/16 USS PLT		
20.	826-819C	PTO V80 X 77.05 1280NM CLUTCH	S/N 962056+ Cat 5	
20.	826-494C	RPBY 826-819C	Obsolete (S/N 962055-) Cat 5	
20.	826-716C	DRVLN, WING CAT 4 W/CLUTCH	S/N 1560735+ Cat 4	
20.	826-816C	DRVLN C4 69 1.75-20 FX CLTCH	S/N 1560734- Cat 4	
21.	826-700C	VENT/DIPSTICK		
22.	826-712C	GBOX LF227 1:1 STD	RH Deck	
22.	826-713C	GBOX LF227 1:1 REV	LH Deck	
23.	837-101C	LAND PRIDE CONE		
23.	826-240C	SMALL SHAFT CONE W ACCESS DOOR	This cone has been replaced with 837-101C	
24.	840-273C	PLUG LP 3" ID RUBBER		



# Hitch A-Frame S/N 1011316-

Applies to RC3620, RCM3620



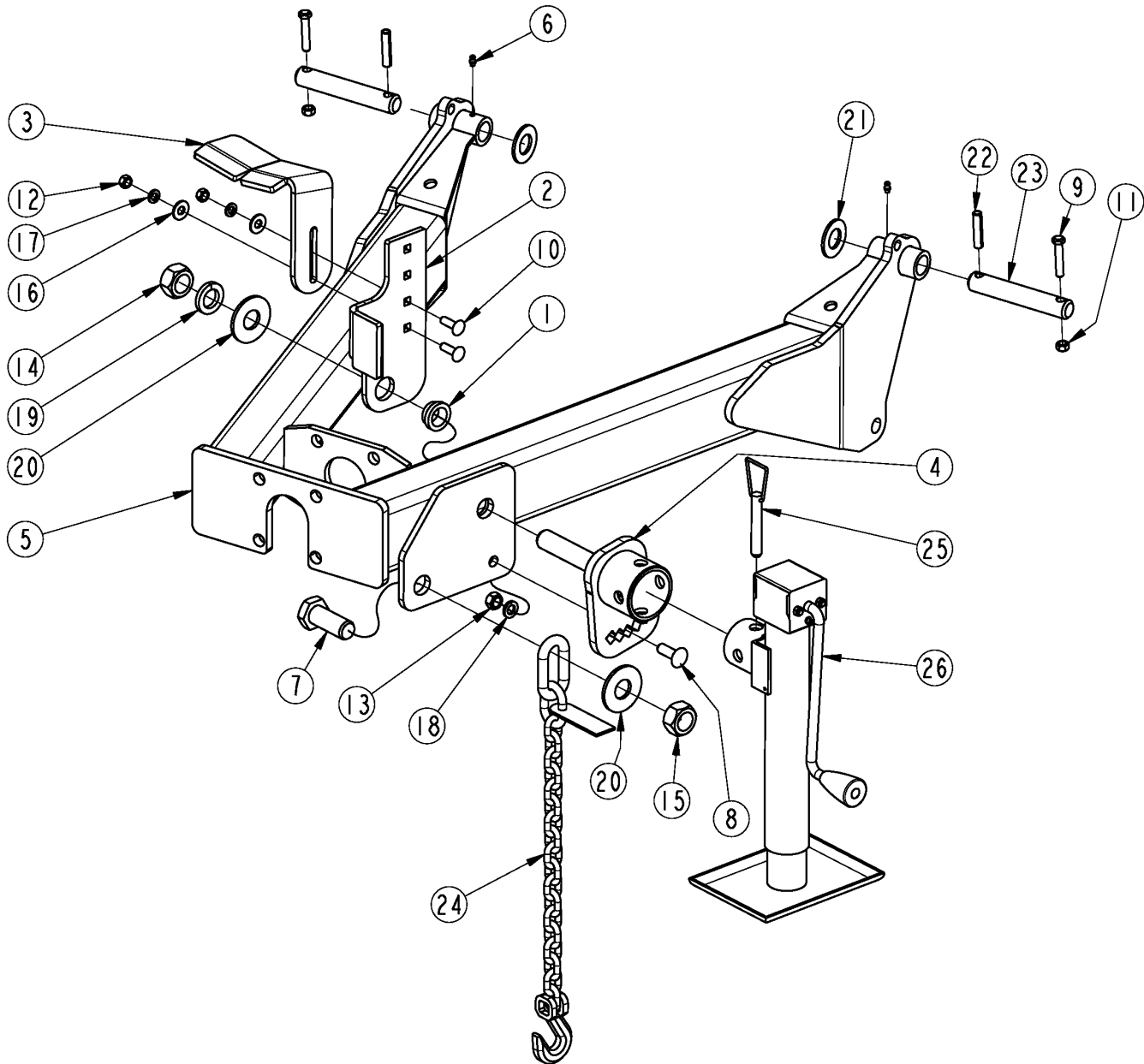
33589

**Hitch A-Frame S/N 1011316-****Applies to RC3620, RCM3620**

<b>Ref</b>	<b>Part No.</b>	<b>Part Description</b>	<b>Comments</b>	<b>Revision</b>
	Dwg 33589	Drawing Image Number		
1.	N/A		See Leveling Rod page	
2.	330-460H	HITCH		
3.	N/A		See Leveling Rod page	
4.	N/A		See Leveling Rod page	
5.	800-080C	GREASE ZERK 1/4-28 THD FORMING		
6.	802-096C	HHCS 1-8X2 1/2 GR5		
7.	802-143C	HHCS 3/8-16X2 GR5		
8.	803-013C	NUT LOCK 3/8-16 PLT		
9.	N/A		See Leveling Rod page	
10.	803-168C	NUT HEX TOP LOCK 1-8 PLT		
11.	N/A		See Leveling Rod page	
12.	N/A		See Leveling Rod page	
13.	804-028C	WASHER FLAT 1 USS PLT		
14.	N/A		See Leveling Rod page	
15.	N/A		See Leveling Rod page	
16.	805-292C	PIN 1 X 5 1/2 HRD PLT		
17.	890-182C	SAFETY CHAIN 10000 LB		
18.	890-786C	SIDEWIND JACK 7000 LB		

### Hitch A-Frame S/N 1011317+

Applies to RC3620, RCM3620



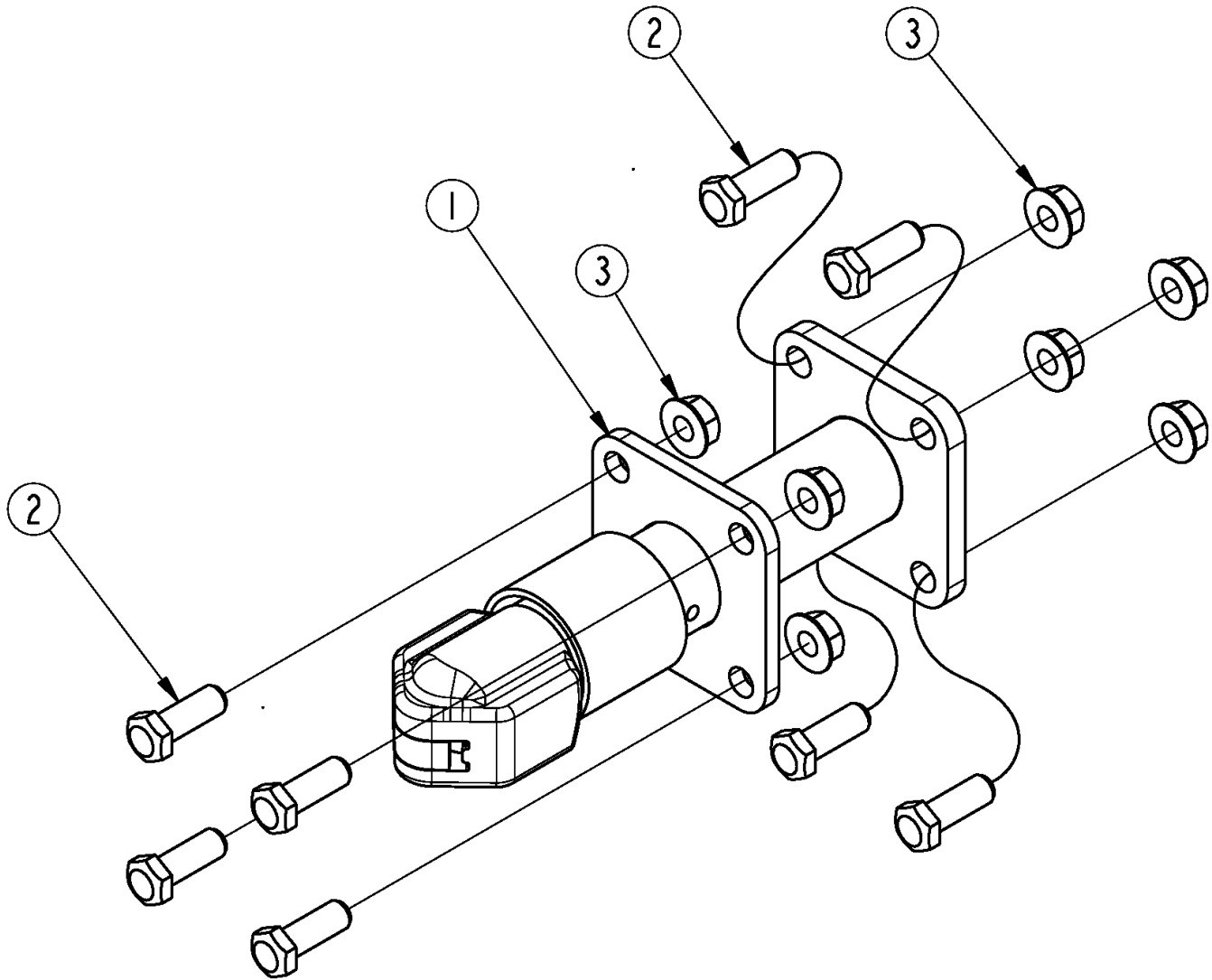
39277

**Hitch A-Frame S/N 1011317+****Applies to RC3620, RCM3620**

Ref	Part No.	Part Description	Comments	Revision
	Dwg 39277	Image No.		
1.	331-087D	PTO HANGER BUSHING		
2.	331-088D	PTO HANGER STOP		
3.	331-089D	PTO HANGER		
4.	331-561H	ADJUSTABLE JACK MOUNT		
5.	331-629H	HITCH W/ ADJ JACK MNT		
6.	800-001C	GREASE ZERK STRAIGHT 1/4-28		
7.	802-096C	HHCS 1-8X2 1/2 GR5		
8.	802-106C	RHSNB 1/2-13X1 1/2 GR5		
9.	802-143C	HHCS 3/8-16X2 GR5		
10.	802-155C	RHSNB 3/8-16X1 1/4 GR5		
11.	803-013C	NUT LOCK 3/8-16 PLT		
12.	803-014C	NUT HEX 3/8-16 PLT		
13.	803-020C	NUT HEX 1/2-13 PLT		
14.	803-031C	NUT HEX 1-8 PLT		
15.	803-168C	NUT HEX TOP LOCK 1-8 PLT		
16.	804-011C	WASHER FLAT 3/8 USS PLT		
17.	804-013C	WASHER LOCK SPRING 3/8 PLT		
18.	804-015C	WASHER LOCK SPRING 1/2 PLT		
19.	804-027C	WASHER LOCK SPRING 1 PLT		
20.	804-028C	WASHER FLAT 1 USS PLT		
21.	804-029C	WASHER FLAT 1 SAE		
22.	805-249C	PIN ROLL 3/8 X 2 PLT		
23.	805-548C	PIN 1.0 X 4.62 USBL HRDN		
24.	890-182C	SAFETY CHAIN 10000 LB		
25.	N/A		Available with sidewind jack	
26.	891-524C	SIDEWIND JACK 7000 LB		

# Hitch Ball Coupler

Applies to RC3620, RCM3620



26568

## ***Hitch Ball Coupler***

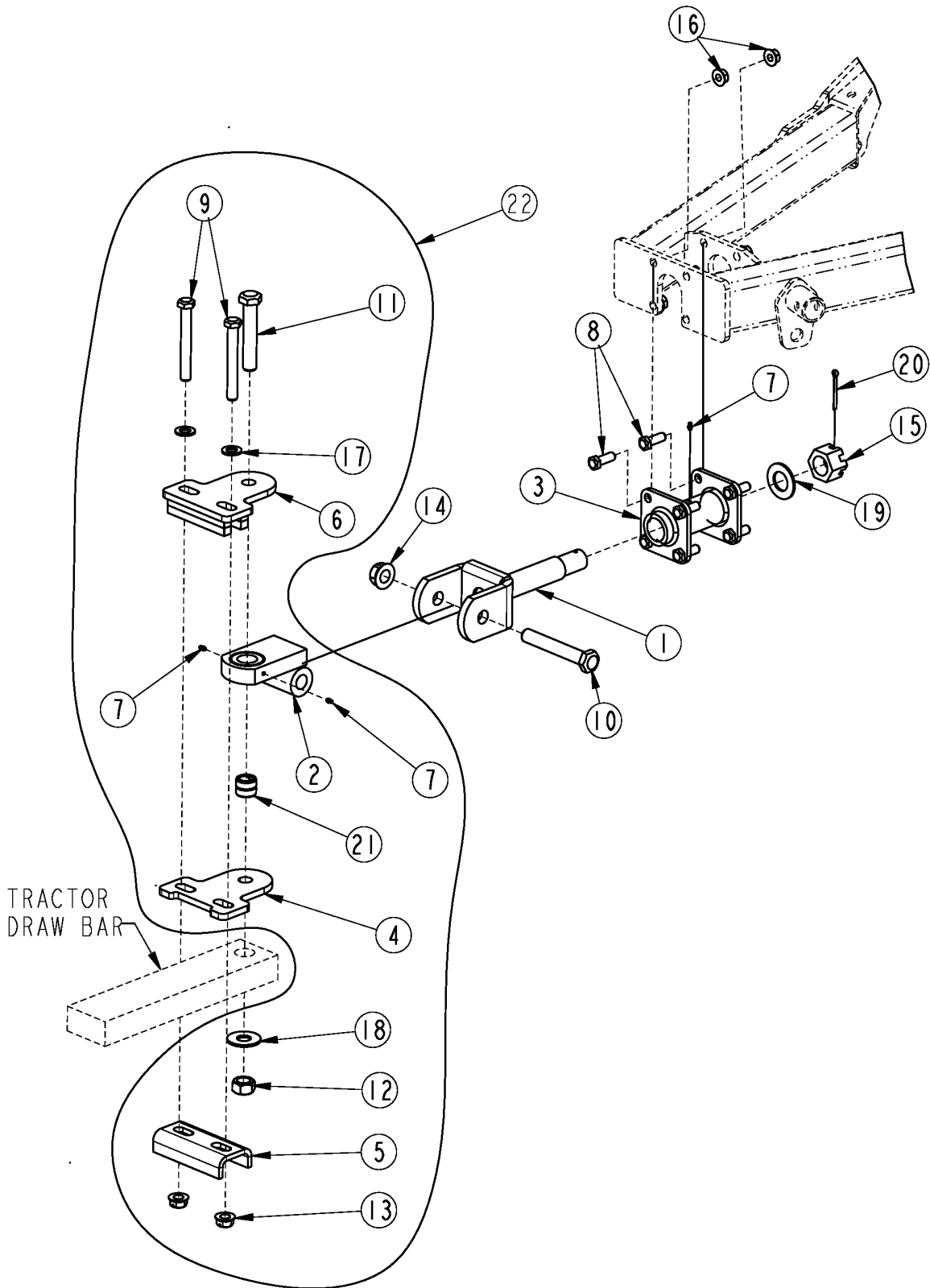
---

### **Applies to RC3620, RCM3620**

<b>Ref</b>	<b>Part No.</b>	<b>Part Description</b>	<b>Comments</b>	<b>Revision</b>
	Dwg 26568	Drawing Image Number		
	330-335A	2 5/16" BALL HITCH ASSEMBLY *		
1.	330-348H	2 5/16" BALL HITCH WELDMENT		
2.	802-053C	HHCS 5/8-11X1 3/4 GR5	S/N 615584+	
2.	802-082C	HHCS 1/2-13X1 3/4 GR5	S/N 615583-	
3.	803-304C	NUT HEX WHIZ 5/8-11 PLT	S/N 615584+	
3.	803-037C	NUT HEX WHIZ 1/2-13 PLT	S/N 615583-	

# Hitch Bar Tite

Applies to RC3620, RCM3620



26569

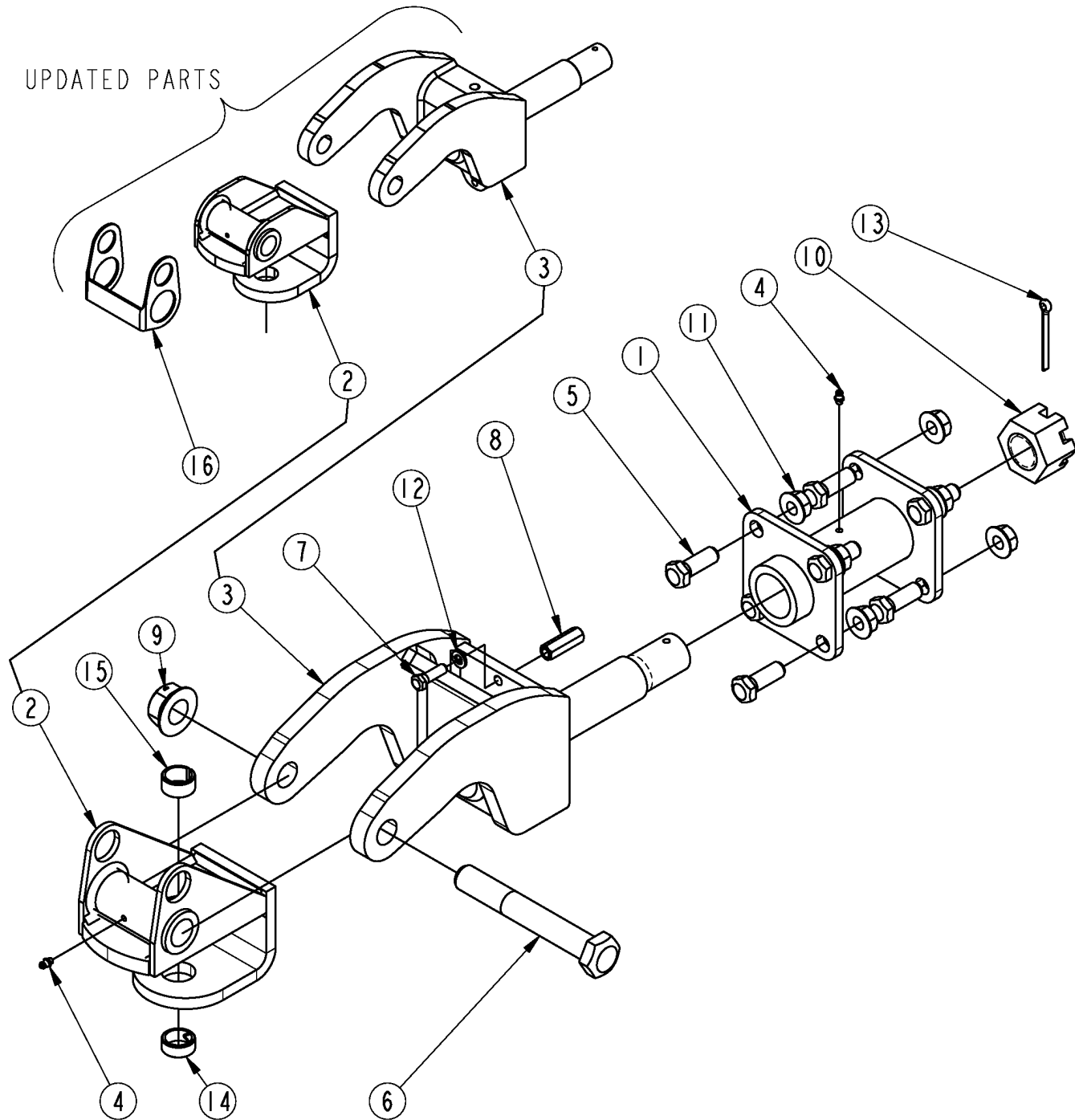


**Hitch Bar Tite****Applies to RC3620, RCM3620**

Ref	Part No.	Part Description	Comments	Revision
	Dwg 26569 330-333A	Drawing Image Number BAR TITE HITCH *		
1.	318-358H	SHAFT WELDMENT		
2.	318-834H	WELDMENT HITCH CLEVIS		
3.	330-271H	SWIVEL RECEIVER		
4.	330-563D	HITCH WEAR PLATE WIDE		
5.	330-564D	FORMED HITCH SUPPORT WIDE		
6.	330-975H	BAR TITE WIDE TOP		
7.	800-001C	GREASE ZERK STRAIGHT 1/4-28		
8.	802-053C	HHCS 5/8-11X1 3/4 GR5	S/N 615584+	
8.	802-082C	HHCS 1/2-13X1 3/4 GR5	S/N 615583-	
9.	802-070C	HHCS 3/4-10X6 GR5	S/N _____+	
9.	802-594C	HHCS 3/4-10X5 1/2 GR5	S/N _____-	
10.	802-074C	HHCS 1-8X6 1/2 GR5		
11.	802-205C	HHCS 1-8X5 1/2 GR5	S/N _____+	
11.	802-235C	HHCS 1-8X5 GR5	S/N _____-	
12.	803-168C	NUT HEX TOP LOCK 1-8 PLT		
13.	803-181C	NUT HEX FLANGE LOCK 3/4-10 PLT		
14.	803-258C	NUT HEX FLG LOCK 1-8 GR B PLT		
15.	803-301C	NUT HEX SLOTTED 1 1/2-6 PLT		
16.	803-304C	NUT HEX WHIZ 5/8-11 PLT	S/N 615584+	
16.	803-037C	NUT HEX WHIZ 1/2-13 PLT	S/N 615583-	
17.	804-025C	WASHER FLAT 3/4 SAE PLT		
18.	804-028C	WASHER FLAT 1 USS PLT		
19.	804-171C	WASHER FLAT 1.50 HARD ASTMF436		
20.	805-105C	PIN COTTER 1/4 X 2 1/2 PLT		
21.	890-862C	BUSHING 1.50ODX1.00IDX1.25		
22.	330-974K	BAR TITE HITCH WIDE		

**Hitch LP Performance S/N 1000385-**

Applies to RC3620, RCM3620



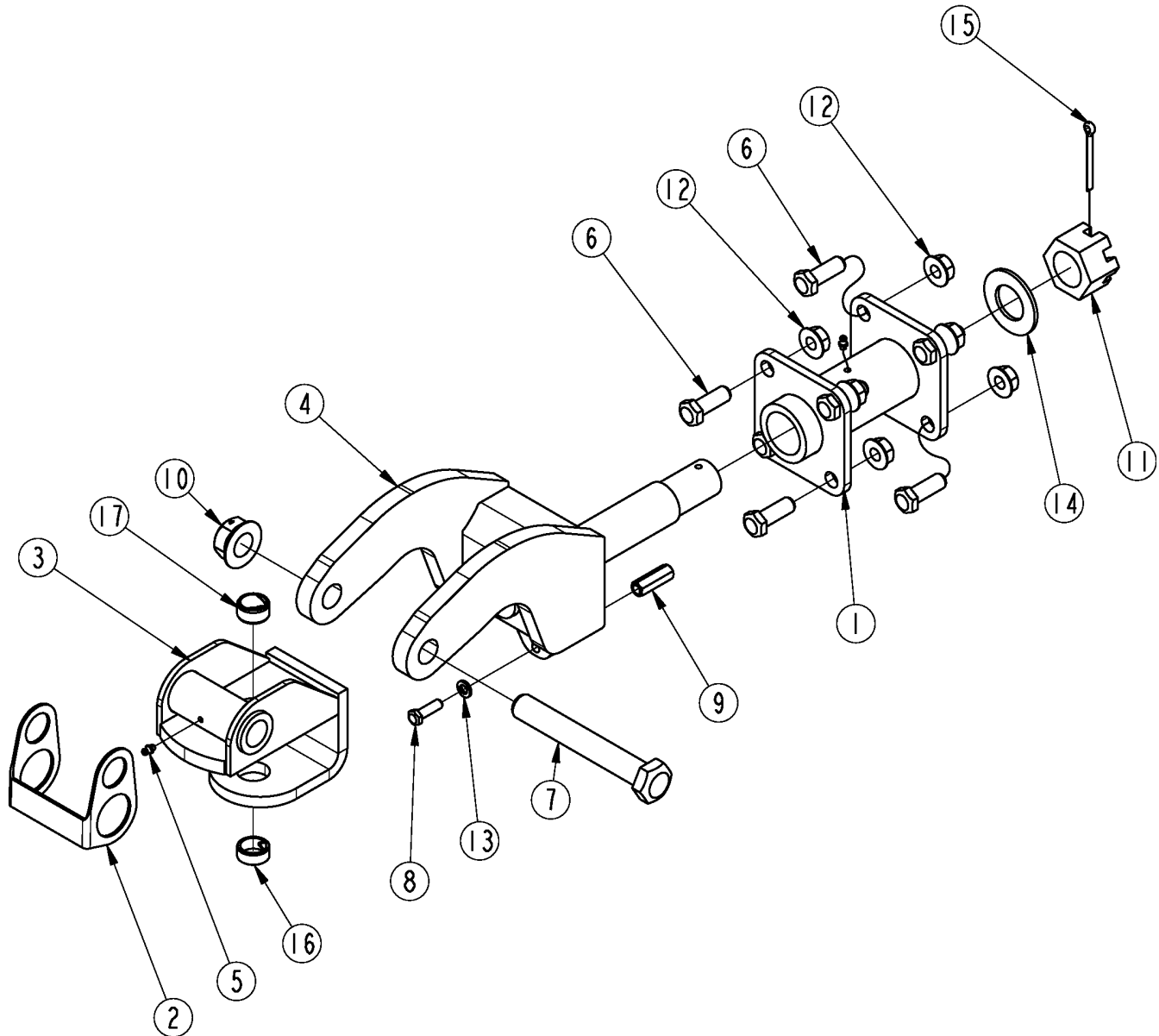
37646

**Hitch LP Performance S/N 1000385-****Applies to RC3620, RCM3620**

<b>Ref</b>	<b>Part No.</b>	<b>Part Description</b>	<b>Comments</b>	<b>Revision</b>
	Dwg 37646	Image No.		
	334-045A	LP PERFORMANCE HITCH		
1.	330-271H	SWIVEL RECEIVER		
2.	334-046H	HITCH CLEVIS	If you order this part you will receive the updated version. You will also need to order item 16 to go with the updated item 2	
3.	334-048H	HITCH YOKE	If you order this part you will receive the updated version	
4.	800-001C	GREASE ZERK STRAIGHT 1/4-28		
5.	802-053C	HHCS 5/8-11X1 3/4 GR5		
6.	802-075C	HHCS 1-8X7 GR5		
7.	802-079C	HHCS 3/8-16X1 1/4 GR5		
8.	803-201C	NUT HEX COUPLER 3/8-16X1 3/4		
9.	803-258C	NUT HEX FLG LOCK 1-8 GR B PLT		
10.	803-301C	NUT HEX SLOTTED 1 1/2-6 PLT		
11.	803-304C	NUT HEX WHIZ 5/8-11 PLT		
12.	804-013C	WASHER LOCK SPRING 3/8 PLT		
13.	805-105C	PIN COTTER 1/4 X 2 1/2 PLT		
14.	890-836C	BUSHING 1 1/4X1X1/2 HRD		
15.	890-850C	BUSHING 1 1/4X1X5/8		
16.	331-543D	HITCH HOLDER		

**Hitch LP Performance S/N 1000386+**

Applies to RC3620, RCM3620



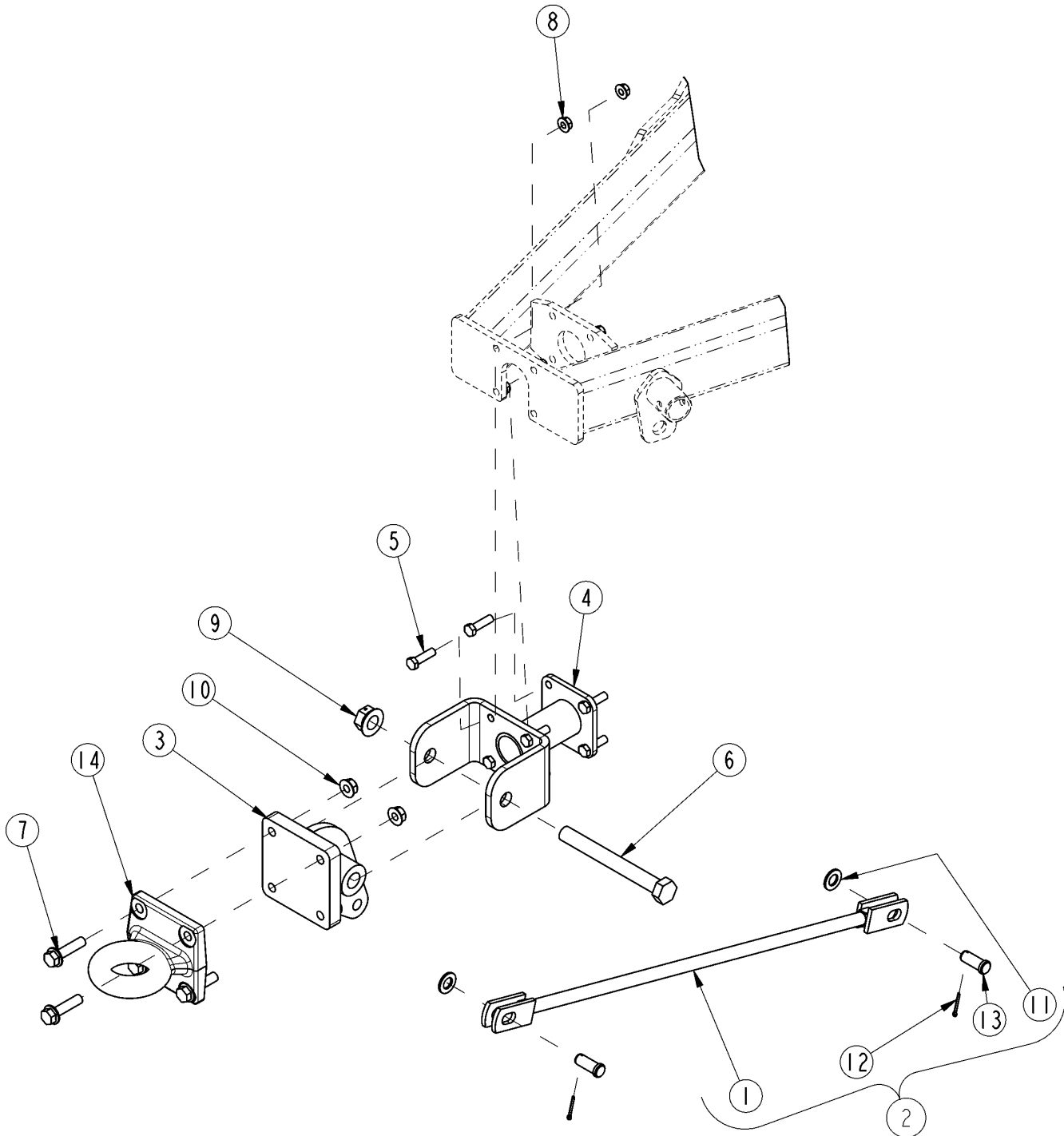
39286

**Hitch LP Performance S/N 1000386+****Applies to RC3620, RCM3620**

Ref	Part No.	Part Description	Comments	Revision
	Dwg 39286 334-045A	Image No. LP PERFORMANCE HITCH *		
1.	330-271H	SWIVEL RECEIVER		
2.	331-543D	HITCH HOLDER		
3.	334-046H	HITCH CLEVIS		
4.	334-048H	HITCH YOKE		
5.	800-001C	GREASE ZERK STRAIGHT 1/4-28		
6.	802-053C	HHCS 5/8-11X1 3/4 GR5		
7.	842-460C	HHCS 1-8X7 GR8 SPTH	S/N _____ +	
7.	802-075C	HHCS 1-8X7 GR5	S/N _____ -	
8.	802-079C	HHCS 3/8-16X1 1/4 GR5		
9.	803-201C	NUT HEX COUPLER 3/8-16X1 3/4		
10.	803-258C	NUT HEX FLG LOCK 1-8 GR B PLT		
11.	803-301C	NUT HEX SLOTTED 1 1/2-6 PLT		
12.	803-304C	NUT HEX WHIZ 5/8-11 PLT		
13.	804-013C	WASHER LOCK SPRING 3/8 PLT		
14.	804-171C	WASHER FLAT 1.50 HARD ASTM F436		
15.	805-105C	PIN COTTER 1/4 X 2 1/2 PLT		
16.	890-836C	BUSHING 1 1/4X1X1/2 HRD		
17.	890-850C	BUSHING 1 1/4X1X5/8		

# Hitch Pintel

Applies to RC3620, RCM3620



26570

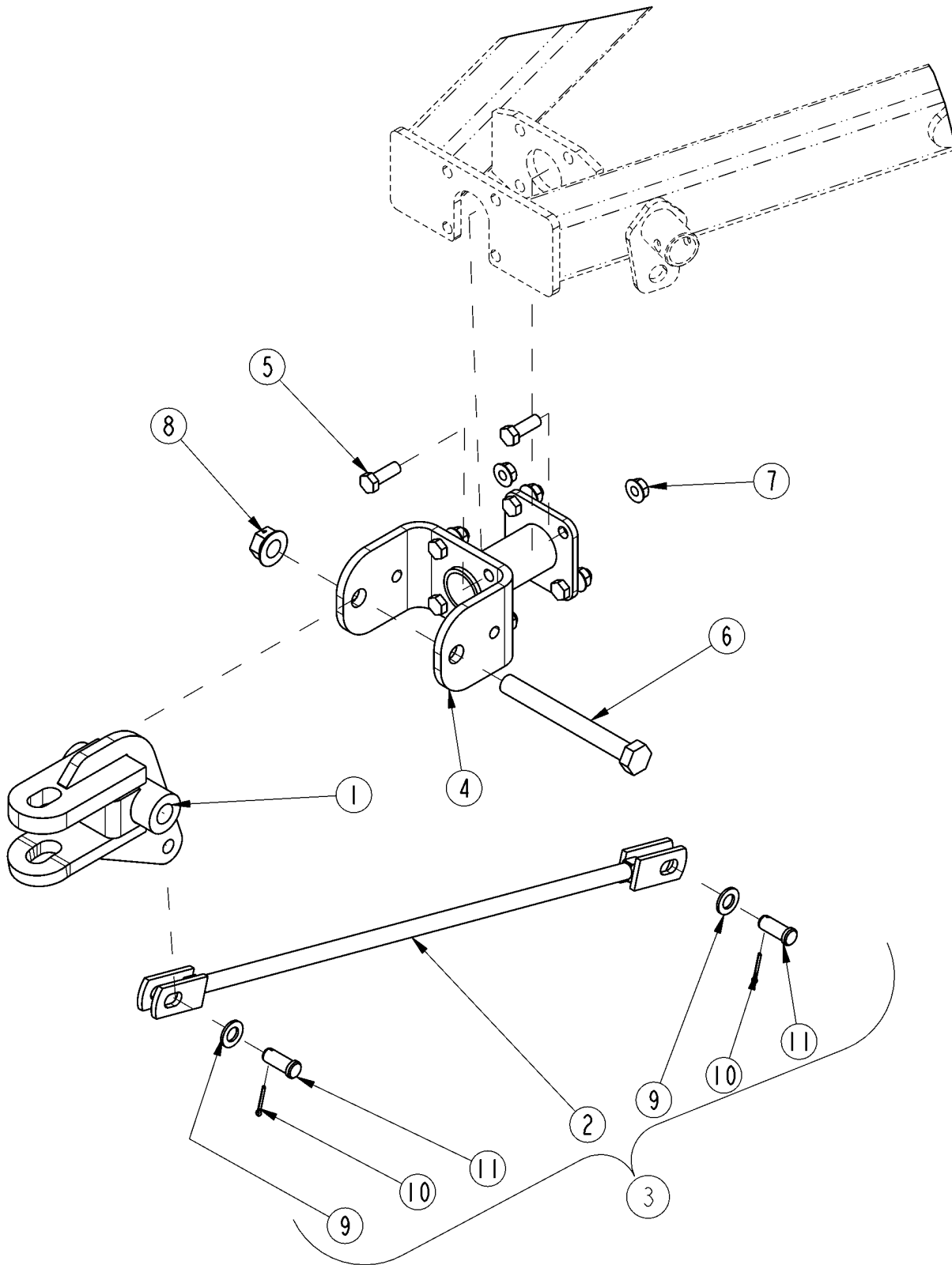
**Hitch Pintel****Applies to RC3620, RCM3620**

<b>Ref</b>	<b>Part No.</b>	<b>Part Description</b>	<b>Comments</b>	<b>Revision</b>
	Dwg 26570 330-334A	Drawing Image Number PINTLE HITCH *		
1.	318-006H	WLDMT. CLEVIS LEVEL ROD		
2.	318-053L	ASSY. LEVEL ROD CLEVIS		
3.	318-556H	WLDMT. PINTLE HITCH CLEVIS		
4.	330-223H	YOKE HITCH		
5.	802-053C	HHCS 5/8-11X1 3/4 GR5	S/N 615584+	
5.	802-082C	HHCS 1/2-13X1 3/4 GR5	S/N 615583-	
6.	802-877C	HHCS 1-8X9 GR8 SPTHD		
7.	802-729C	HFS 5/8-11X2 1/2 GR8 PLT		
8.	803-304C	NUT HEX WHIZ 5/8-11 PLT	S/N 615584+	
8.	803-037C	NUT HEX WHIZ 1/2-13 PLT	S/N 615583-	
9.	803-258C	NUT HEX FLG LOCK 1-8 GR B PLT		
10.	803-304C	NUT HEX WHIZ 5/8-11 PLT		
11.	804-025C	WASHER FLAT 3/4 SAE PLT		
12.	805-045C	PIN COTTER 5/32 X 1 1/4 LG		
13.	805-083C	PIN CLEVIS 3/4 X 1 1/2		
14.	890-806C	PINTLE HOOK SQ.BASE BDB1250-15		



# Hitch Standard Pivoting Clevis

Applies to RC3620, RCM3620



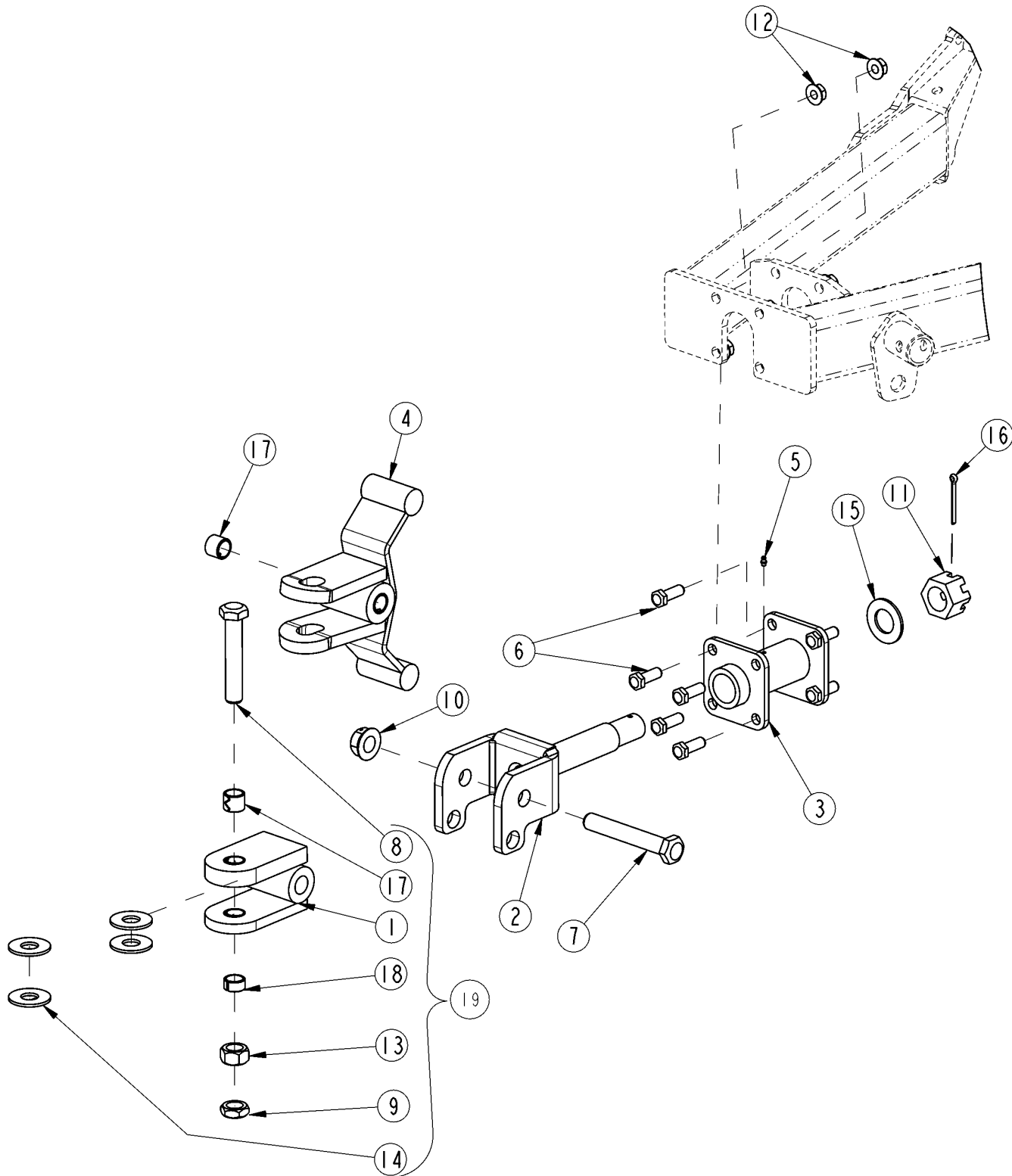
26557

***Hitch Standard Pivoting Clevis*****Applies to RC3620, RCM3620**

<b>Ref</b>	<b>Part No.</b>	<b>Part Description</b>	<b>Comments</b>	<b>Revision</b>
	Dwg 26557 330-225A	Drawing Image Number STANDARD HITCH *		
1.	318-005H	WLDMT. TONGUE CLEVIS		
2.	318-006H	WLDMT. CLEVIS LEVEL ROD		
3.	318-053L	ASSY. LEVEL ROD CLEVIS		
4.	330-223H	YOKE HITCH		
5.	802-053C	HHCS 5/8-11X1 3/4 GR5	S/N 615584+	
5.	802-082C	HHCS 1/2-13X1 3/4 GR5	S/N 615583-	
6.	802-877C	HHCS 1-8X9 GR8 SPTH		
7.	803-304C	NUT HEX WHIZ 5/8-11 PLT	S/N 615584+	
7.	803-037C	NUT HEX WHIZ 1/2-13 PLT	S/N 615583-	
8.	803-258C	NUT HEX FLG LOCK 1-8 GR B PLT		
9.	804-025C	WASHER FLAT 3/4 SAE PLT		
10.	805-045C	PIN COTTER 5/32 X 1 1/4 LG		
11.	805-083C	PIN CLEVIS 3/4 X 1 1/2		

# Hitch Swivel

Applies to RC3620, RCM3620



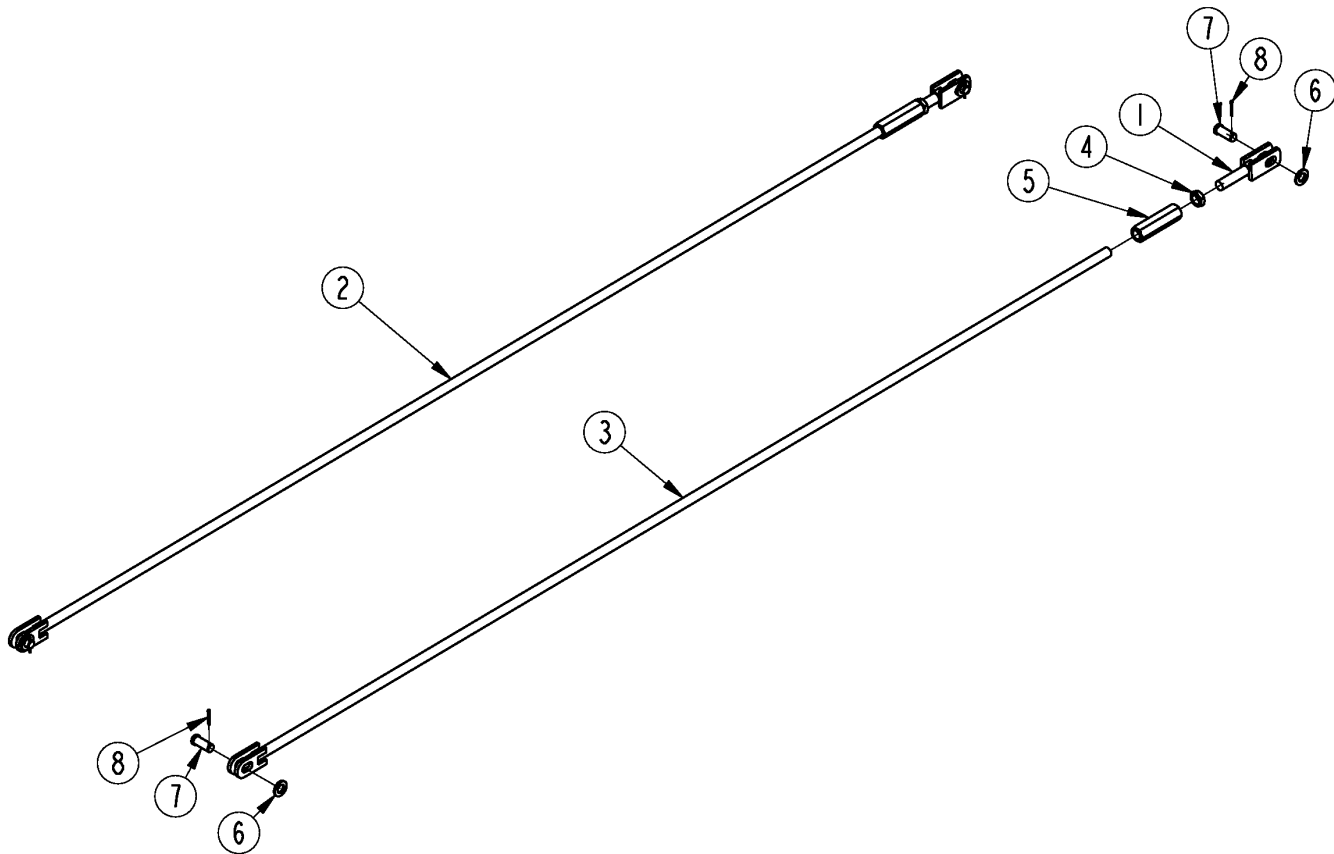
26571

**Hitch Swivel****Applies to RC3620, RCM3620**

<b>Ref</b>	<b>Part No.</b>	<b>Part Description</b>	<b>Comments</b>	<b>Revision</b>
	Dwg 26571 330-332A	Drawing Image Number SWIVEL HITCH *		
1.	318-357H	CLEVIS WELDMENT		
2.	331-211H	SHAFT WELDMENT		
3.	330-271H	SWIVEL RECEIVER		
4.	330-321H	CLEVIS SWIVEL	Replaced By 330-648S	
5.	800-080C	GREASE ZERK 1/4-28 THD FORMING		
6.	802-053C	HHCS 5/8-11X1 3/4 GR5	S/N 615584+	
6.	802-082C	HHCS 1/2-13X1 3/4 GR5	S/N 615583-	
7.	802-074C	HHCS 1-8X6 1/2 GR5		
8.	802-205C	HHCS 1-8X5 1/2 GR5		
9.	803-030C	NUT HEX JAM 1-8 PLT		
10.	803-258C	NUT HEX FLG LOCK 1-8 GR B PLT		
11.	803-301C	NUT HEX SLOTTED 1 1/2-6 PLT		
12.	803-304C	NUT HEX WHIZ 5/8-11 PLT	S/N 615584+	
12.	803-037C	NUT HEX WHIZ 1/2-13 PLT	S/N 615583-	
13.	803-031C	NUT HEX 1-8 PLT		
14.	804-028C	WASHER FLAT 1 USS PLT		
15.	804-171C	WASHER FLAT 1 3/8HARD ASTM436		
16.	805-105C	PIN COTTER 1/4 X 2 1/2 PLT		
17.	890-005C	BUSHING CYL 1 1/4 X 1 X 1		
18.	890-850C	BUSHING 1 1/4X1X5/8		
19.	330-648S	ASSY SWIVEL CLEVIS		

# Leveling Rod

Applies to RC3620, RCM3620



39222

## ***Leveling Rod***

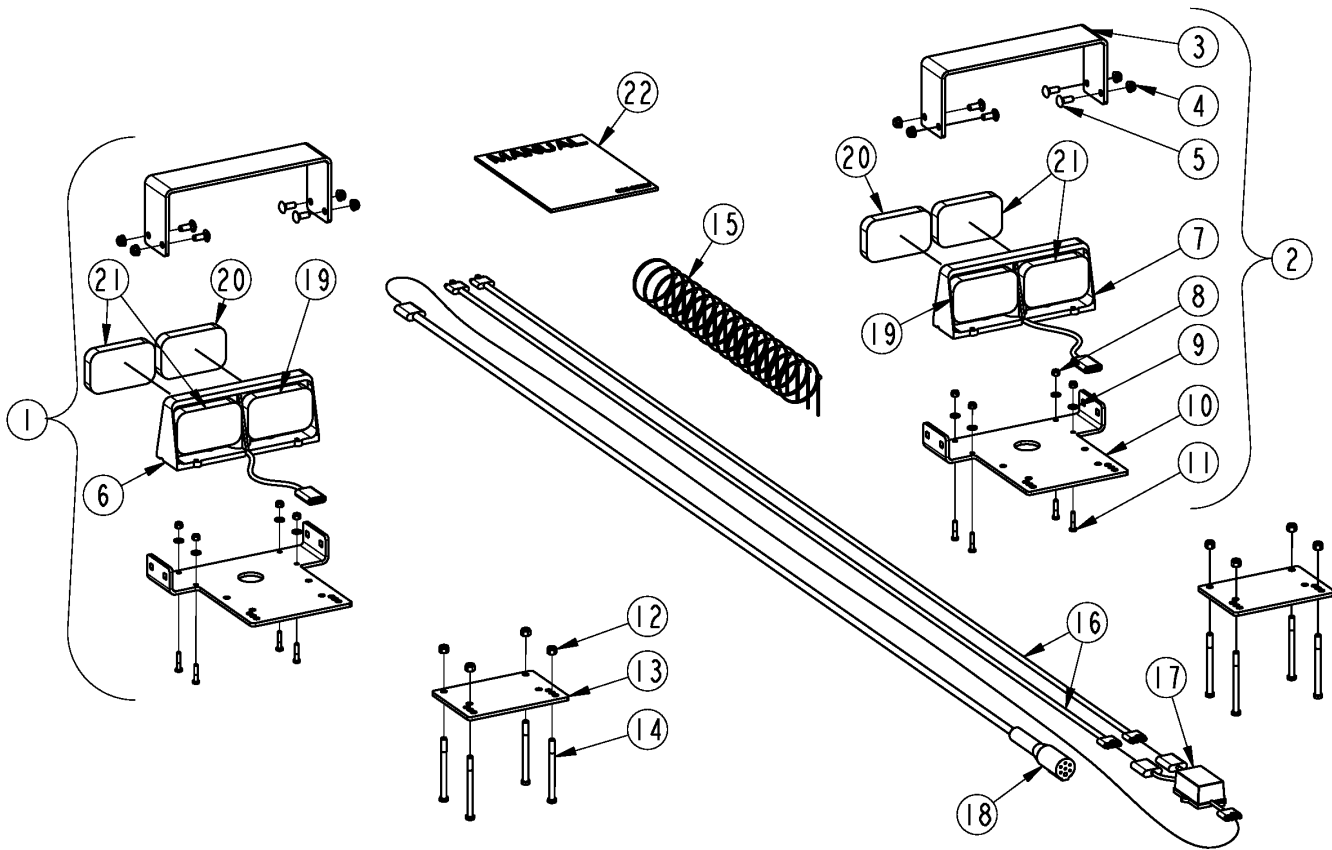
---

### **Applies to RC3620, RCM3620**

<b>Ref</b>	<b>Part No.</b>	<b>Part Description</b>	<b>Comments</b>	<b>Revision</b>
	Dwg 39222	Image No.		
1.	318-008H	WLDMT. LEVEL ROD SHORT		
2.	330-803K	LEVEL ROD ASSY		
3.	330-804H	LEVEL ROD LONG		
4.	803-075C	NUT HEX JAM 7/8-9		
5.	803-265C	NUT HEX COUPLER 7/8-9X5		
6.	804-025C	WASHER FLAT 3/4 SAE PLT		
7.	805-083C	PIN CLVS .75X1.50 USBL HT		
8.	805-109C	PIN COTTER 1/8 X 1 1/4 PLT		

# Lights 3.5 Inch (LED)

Applies to RC3620, RCM3620



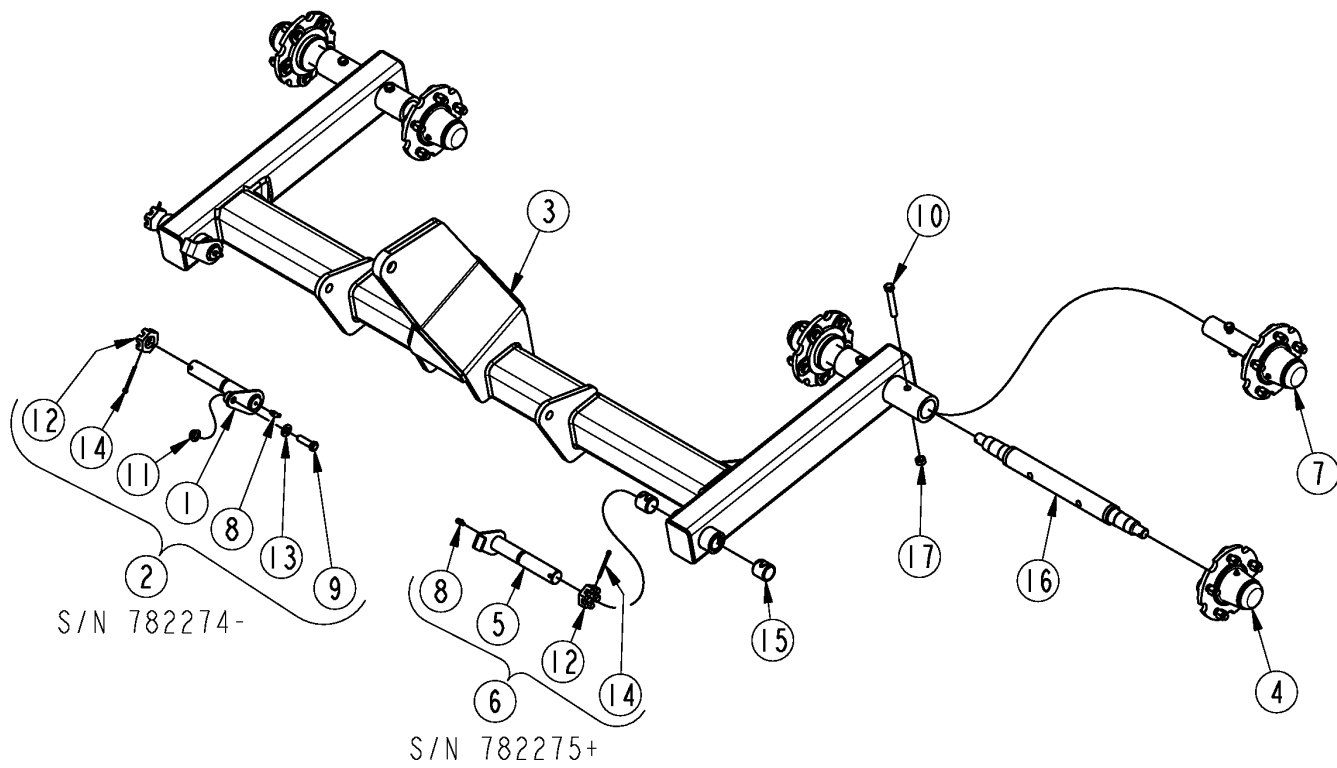


**Lights 3.5 Inch (LED)****Applies to RC3620, RCM3620**

<b>Ref</b>	<b>Part No.</b>	<b>Part Description</b>	<b>Comments</b>	<b>Revision</b>
	Dwg 37671 334-581A	Image No. FOLDING CUTTER LGHT KIT 3.5 LL *	S/N 1150617- Lights were optional	
1.	331-471S	RH LIGHT ASSY	Includes Items 3, 4, 5, 6, 8, 9, 10, & 11	
2.	331-472S	LH LIGHT ASSY	Includes Items 3, 4, 5, 7, 8, 9, 10, & 11	
3.	330-966D	LIGHT GUARD		
4.	803-209C	NUT FLANGE LOCK 3/8-16 PLT		
5.	802-015C	RHSNB 3/8-16X1 GR5		
6.	891-523C	DUAL LED LIGHT RH	Includes items 19, 20, & 21	
7.	891-522C	DUAL LED LIGHT LH	Includes items 19, 20, & 21	
8.	803-255C	NUT HEX NYLOCK 1/4-20		
9.	804-007C	WASHER FLAT 1/4 SAE PLT		
10.	330-965D	LIGHT MNT		
11.	802-224C	HHCS 1/4-20X1 1/4 GR5		
12.	803-078C	NUT LOCK 3/8-16 NYLON INSERT		
13.	330-967D	LIGHT MNT CLAMP		
14.	802-318C	HHCS 3/8-16X5 GR5	S/N 1058900+	
14.	802-027C	HHCS 3/8-16X4 1/2 GR5	S/N 1058899-	
15.	800-060C	CABLE TIE .19X14.25 3DIA 50LB		
16.	891-529C	LIGHT WIRE HARNESS 8'		
17.	891-531C	ENHANCE MODULE		
18.	891-533C	LEAD WIRE HARNESS 13'		
19.	J-AC1-15-B	BLACK LENS COVER	Black lens	
20.	J-37-R	RED LED LENS MODULE	Red lens	
21.	J-37-A	AMBER LED LENS MODULE	Amber lens	
22.	334-574M	ROTARY CUTTER LIGHT KIT MANUAL		

# Axle Center

Applies to RC3620, RCM3620

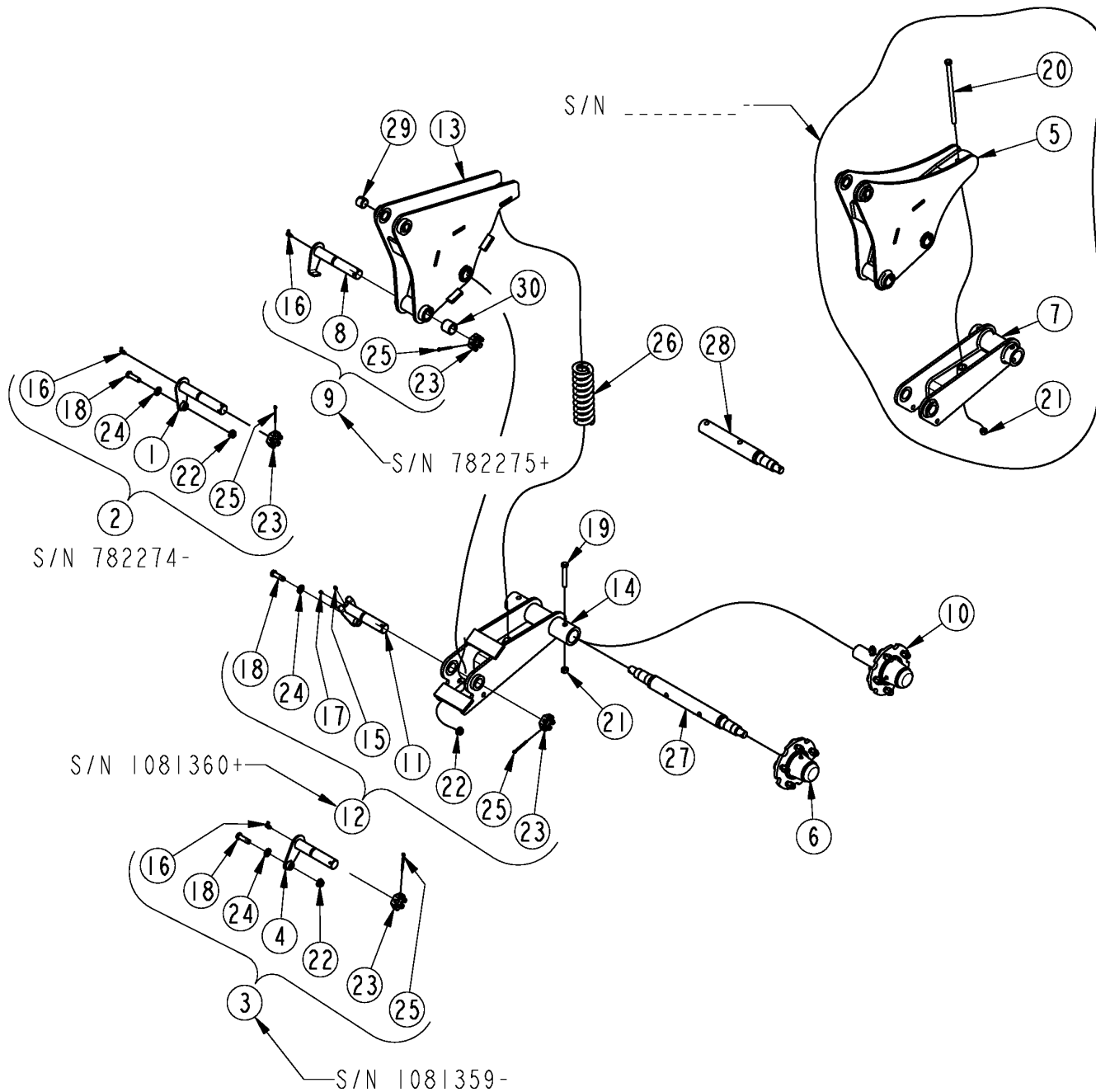


**Axle Center****Applies to RC3620, RCM3620**

<b>Ref</b>	<b>Part No.</b>	<b>Part Description</b>	<b>Comments</b>	<b>Revision</b>
	Dwg 33590	Drawing Image Number		
1.	330-607H	PIVOT PIN TRAILING ARM	S/N 782274-	
2.	330-609S	ASY PIVOT PIN TRAILING ARM	S/N 782274-	
3.	330-763H	AXLE CENTER		
4.	330-938K	HUB 5 BOLT COMPLETE	S/N _____ -	
5.	331-168H	PIVOT PIN TRAILING ARM	S/N 782275+	
6.	331-169S	ASY PIVOT PIN TRAILING ARM	S/N 782275+	
7.	334-566S	SPINDLE AND HUB ASSY	S/N _____ +	
8.	800-073C	GREASE ZERK 1/4-28 X 90-DEG		
9.	802-082C	HHCS 1/2-13X1 3/4 GR5	S/N 782274-	
10.	802-099C	HHCS 1/2-13X3 1/4 GR5		
11.	803-169C	NUT HEX FLG LOCK 1/2-13 PLT	S/N 782274-	
12.	803-381C	NUT HEX JAM SLOTTED 1 1/4-7		
13.	804-016C	WASHER FLAT 1/2 SAE PLT	S/N 782274-	
14.	805-058C	PIN COTTER 3/16 X 2		
15.	891-177C	BHG 1.50ODX1.25X1.38		
16.	815-383C	DUAL AXLE SPINDLE	S/N _____ -	
17.	803-019C	NUT LOCK 1/2-13 PLT		

# Axle Wing

Applies to RC3620, RCM3620



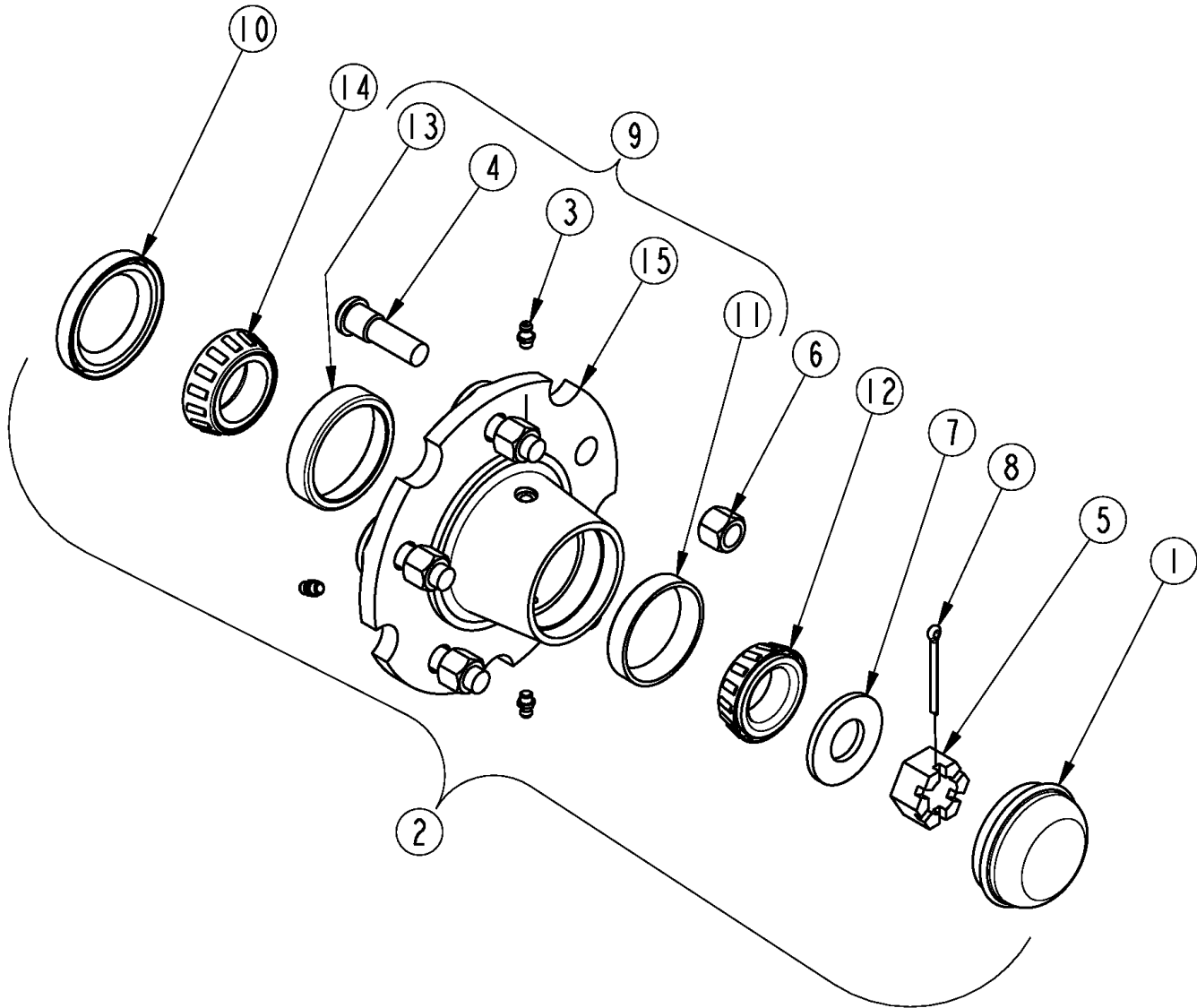
33596

**Axle Wing****Applies to RC3620, RCM3620**

Ref	Part No.	Part Description	Comments	Revision
	Dwg 33596	Drawing Image Number		
1.	330-607H	PIVOT PIN TRAILING ARM	S/N 782274-	
2.	330-609S	ASY PIVOT PIN TRAILING ARM	S/N 782274-	
3.	330-615S	ASY PIVOT PIN TANDEM ARM	S/N 1081359-	
4.	330-616H	PIVOT PIN TANDEM ARM	S/N 1081359-	
5.	330-794H	WING AXLE RH	S/N _____-	
6.	330-938K	HUB 5 BOLT COMPLETE	S/N _____-	
7.	330-969H	TRAILING ARM WING	S/N _____-	
8.	331-168H	PIVOT PIN TRAILING ARM	S/N 782275+	
9.	331-169S	ASY PIVOT PIN TRAILING ARM	S/N 782275+	
10.	331-496S	SHORT SPINDLE AND HUB ASY	S/N _____+	
11.	334-465H	WALKING TANDEM PIVOT PIN	S/N 1081360+	
12.	334-467S	WALKING TANDEM PIV PIN ASY	S/N 1081360+	
13.	334-593H	WING AXLE	S/N _____+	
14.	334-594H	TRAILING ARM WING	S/N _____+	
15.	800-001C	GREASE ZERK STRAIGHT 1/4-28	S/N 1081360+	
16.	800-073C	GREASE ZERK 1/4-28 X 90-DEG		
17.	801-229C	SCREW SLOTTED HEX 1/4-28X3/16	S/N 1081360+	
18.	802-082C	HHCS 1/2-13X1 3/4 GR5		
19.	802-099C	HHCS 1/2-13X3 1/4 GR5		
20.	802-416C	HHCS 1/2-13X10 GR5	S/N _____-	
21.	803-019C	NUT LOCK 1/2-13 PLT		
22.	803-169C	NUT HEX FLG LOCK 1/2-13 PLT		
23.	803-381C	NUT HEX JAM SLOTTED 1 1/4-7		
24.	804-016C	WASHER FLAT 1/2 SAE PLT		
25.	805-058C	PIN COTTER 3/16 X 2		
26.	807-372C	SPRING COMP 2.62OD .531W 8.5L	S/N 1090040+	
26.	N/A	SPRING COMP 2.5OD .5W 8.5L	S/N 1090039- RPB 807-372C	
27.	815-381C	DUAL AXLE SPINDLE	S/N _____-	
28.	815-387C	SINGLE AXLE SPINDLE	S/N _____-	
29.	890-005C	BUSHING CYL 1 1/4 X 1 X 1		
30.	891-177C	BHG 1.50ODX1.25X1.38		

# Hub Assembly (330-938K)

Applies to RC3620, RCM3620



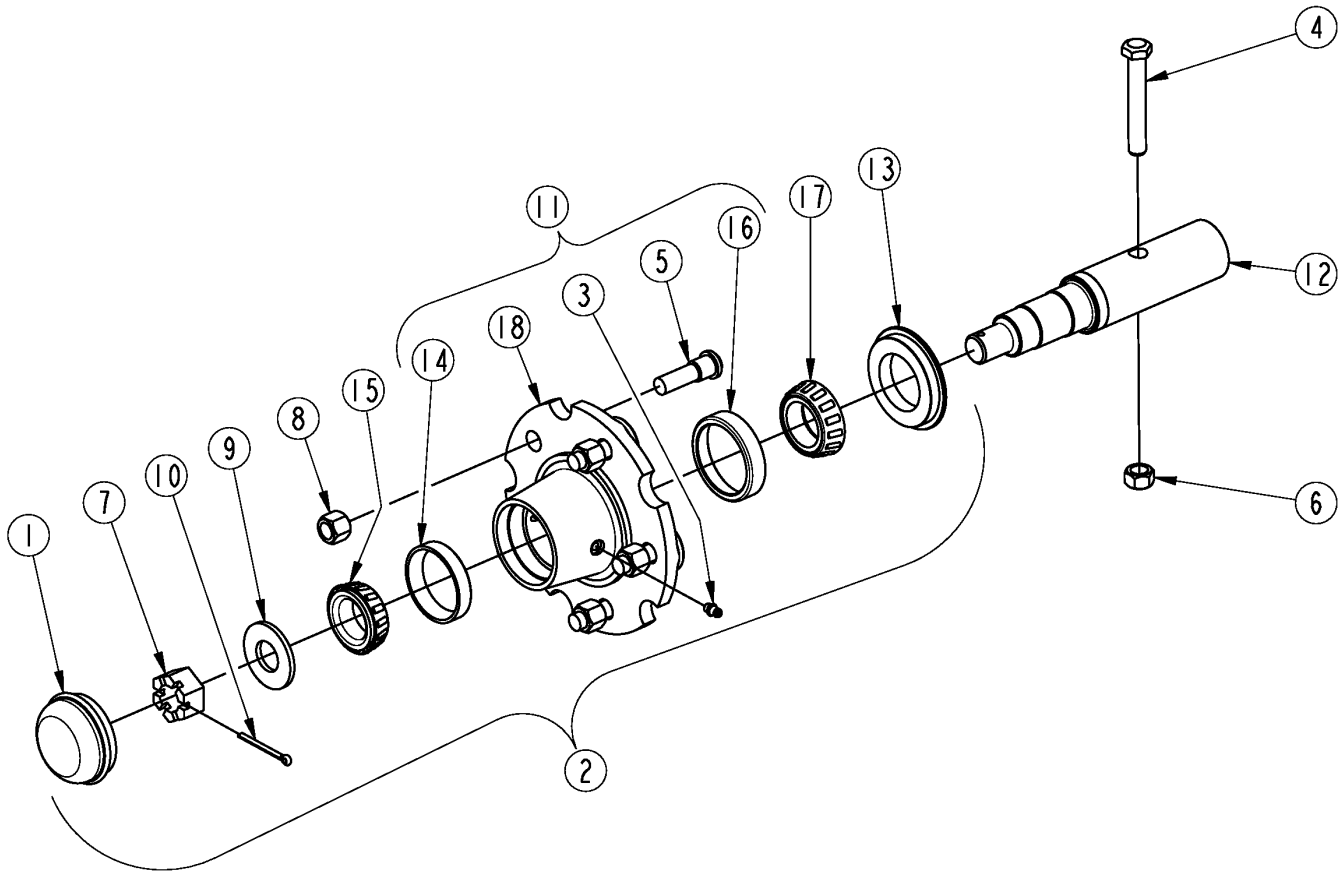
37676

**Hub Assembly (330-938K)****Applies to RC3620, RCM3620**

<b>Ref</b>	<b>Part No.</b>	<b>Part Description</b>	<b>Comments</b>	<b>Revision</b>
	Dwg 37676 330-938K	Image No. HUB 5 BOLT COMPLETE *		
1.	200-001D	HUB GREASE CAP		
2.	330-938K	HUB 5 BOLT COMPLETE		
3.	800-080C	GREASE ZERK 1/4-28 THD FORMING		
4.	802-779C	HUB STUD 1/2-20X1.88 GR5		
5.	803-029C	NUT HEX SLOTTED 7/8-14 PLT		
6.	803-310C	NUT HEX 1/2-20 X 5/8 HIGH		
7.	804-055C	WASHER SPINDLE - 7/8		
8.	805-246C	PIN COTTER 5/32 X 1 3/4 LG		
9.	815-243C	HUB 5-BOLT W/CUPS/STUDS		
10.	816-497C	SEAL 1.75ID CR17617		
11.	822-020C	BRG CUP LM-67010		
12.	822-021C	BRG CONE 1.25ID LM-67048		
13.	822-033C	BRG CUP LM-48510		
14.	822-034C	BRG CONE LM-48548		
15.	815-242C	HUB 5-BOLT CASTING		

# Spindle & Hub Assembly (331-496S)

Applies to RC3620, RCM3620



70721

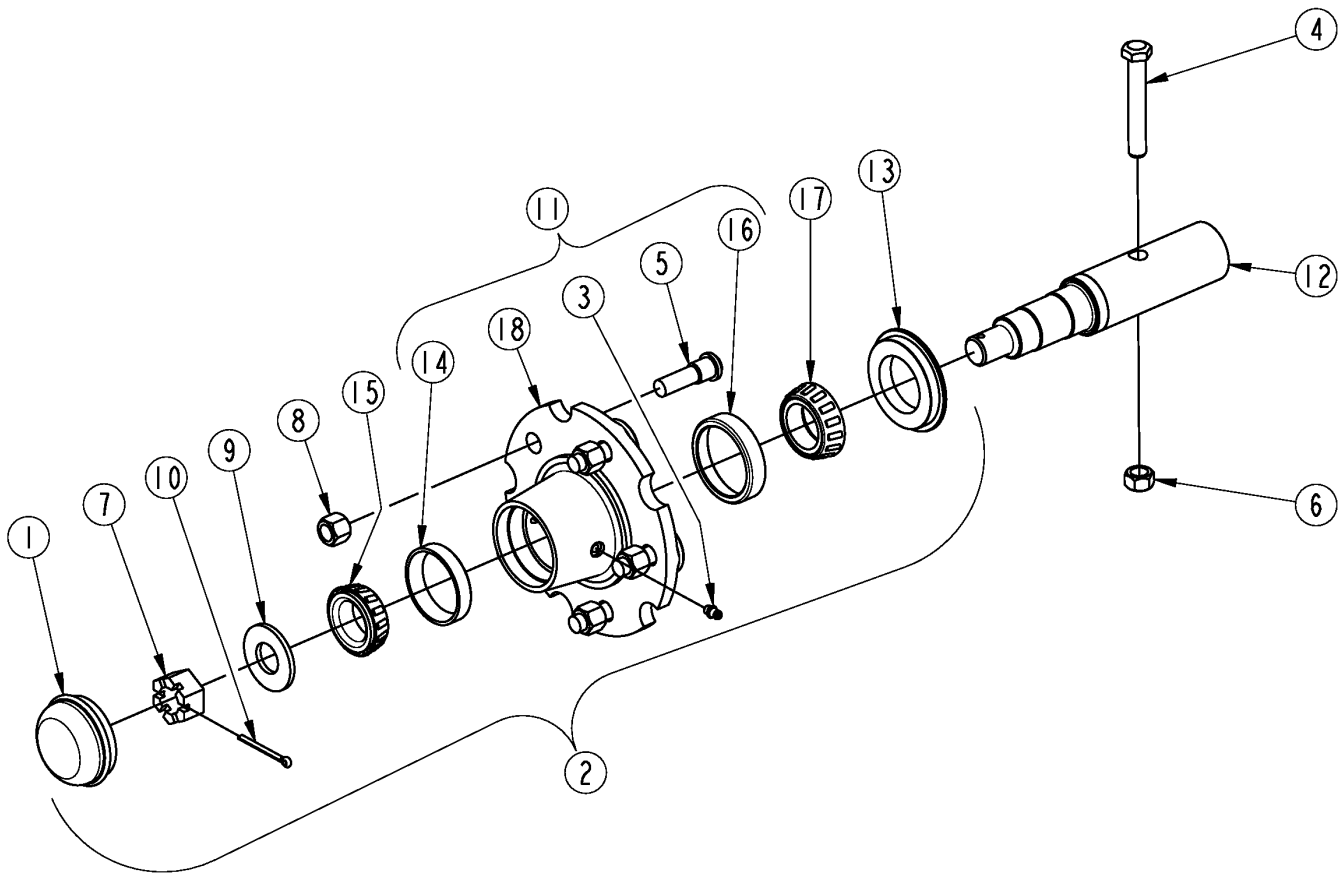


**Spindle & Hub Assembly (331-496S)****Applies to RC3620, RCM3620**

<b>Ref</b>	<b>Part No.</b>	<b>Part Description</b>	<b>Comments</b>	<b>Revision</b>
	Dwg 70721 331-496S	Image No. SHORT SPINDLE AND HUB ASY *		
1.	200-001D	HUB GREASE CAP		
2.	334-565V	HUB 5 BOLT COMPLETE		
3.	800-080C	GREASE ZERK 1/4-28 THD FORMING		
4.	802-099C	HHCS 1/2-13X3 1/4 GR5		
5.	802-779C	HUB STUD 1/2-20X1.88 GR5		
6.	803-019C	NUT LOCK 1/2-13 PLT		
7.	803-029C	NUT HEX SLOTTED 7/8-14 PLT		
8.	803-310C	NUT HEX 1/2-20 X 5/8 HIGH		
9.	804-055C	WASHER SPINDLE - 7/8		
10.	805-246C	PIN COTTER 5/32 X 1 3/4 LG		
11.	815-243C	HUB 5-BOLT W/CUPS/STUDS		
12.	815-509C	SINGLE AXLE SPINDLE, SHORT		
13.	816-835C	HD PURGEABLE SEAL 1.75X2.71		
14.	822-020C	BRG CUP LM-67010		
15.	822-021C	BRG CONE 1.25ID LM-67048		
16.	822-033C	BRG CUP LM-48510		
17.	822-034C	BRG CONE LM-48548		
18.	815-242C	HUB 5-BOLT CASTING		

# Spindle & Hub Assembly (334-566S)

Applies to RC3620, RCM3620



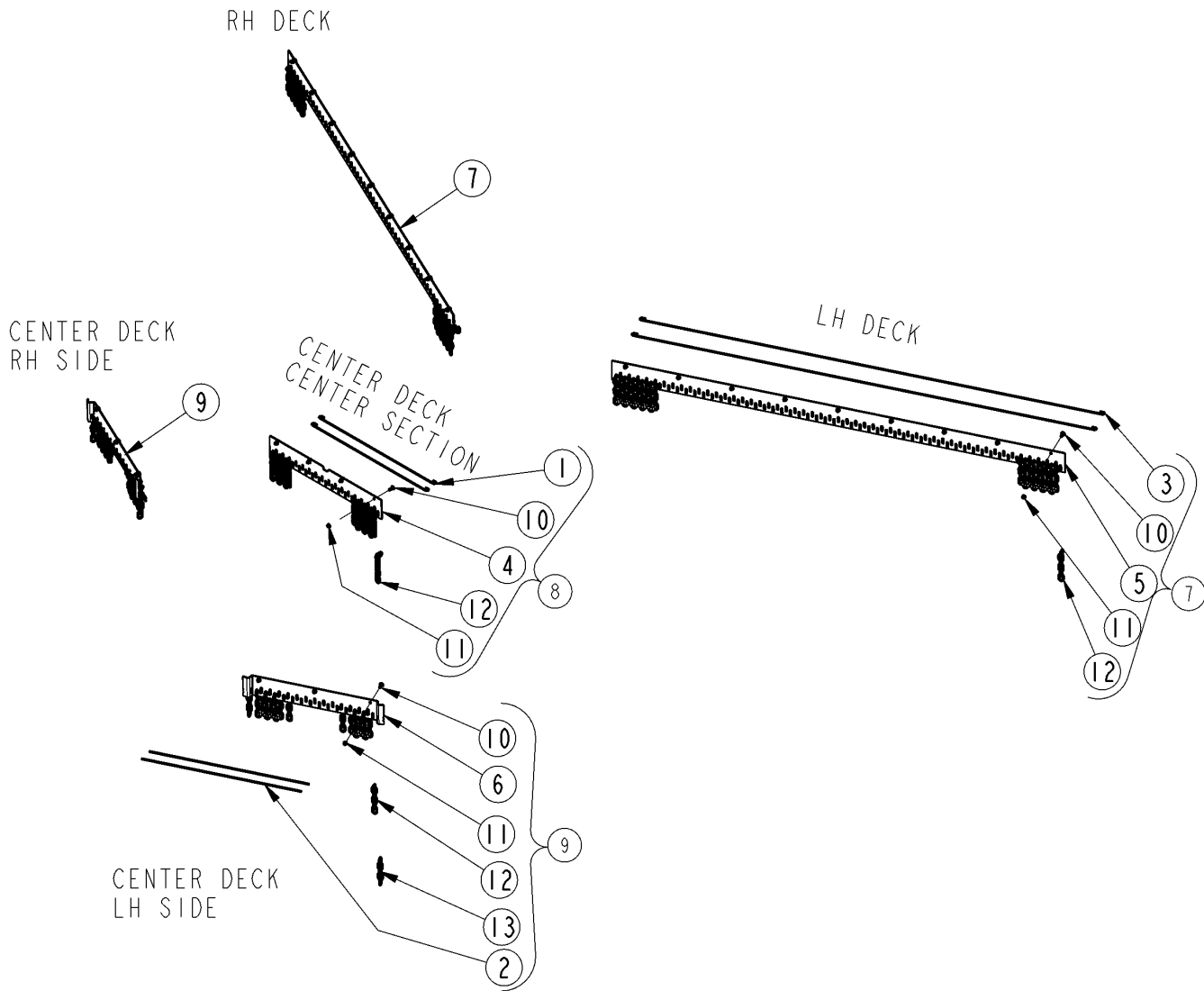
70721

**Spindle & Hub Assembly (334-566S)****Applies to RC3620, RCM3620**

<b>Ref</b>	<b>Part No.</b>	<b>Part Description</b>	<b>Comments</b>	<b>Revision</b>
	Dwg 70721 334-566S	Image No. SPINDLE AND HUB ASSY *		
1.	200-001D	HUB GREASE CAP		
2.	334-565V	HUB 5 BOLT COMPLETE		
3.	800-080C	GREASE ZERK 1/4-28 THD FORMING		
4.	802-099C	HHCS 1/2-13X3 1/4 GR5		
5.	802-779C	HUB STUD 1/2-20X1.88 GR5		
6.	803-019C	NUT LOCK 1/2-13 PLT		
7.	803-029C	NUT HEX SLOTTED 7/8-14 PLT		
8.	803-310C	NUT HEX 1/2-20 X 5/8 HIGH		
9.	804-055C	WASHER SPINDLE - 7/8		
10.	805-246C	PIN COTTER 5/32 X 1 3/4 LG		
11.	815-243C	HUB 5-BOLT W/CUPS/STUDS		
12.	815-491C	SINGLE AXLE SPINDLE, WING		
13.	816-835C	HD PURGEABLE SEAL 1.75X2.71		
14.	822-020C	BRG CUP LM-67010		
15.	822-021C	BRG CONE 1.25ID LM-67048		
16.	822-033C	BRG CUP LM-48510		
17.	822-034C	BRG CONE LM-48548		
18.	815-242C	HUB 5-BOLT CASTING		

# Guards Chain Double Row Front

Applies to RC3620, RCM3620



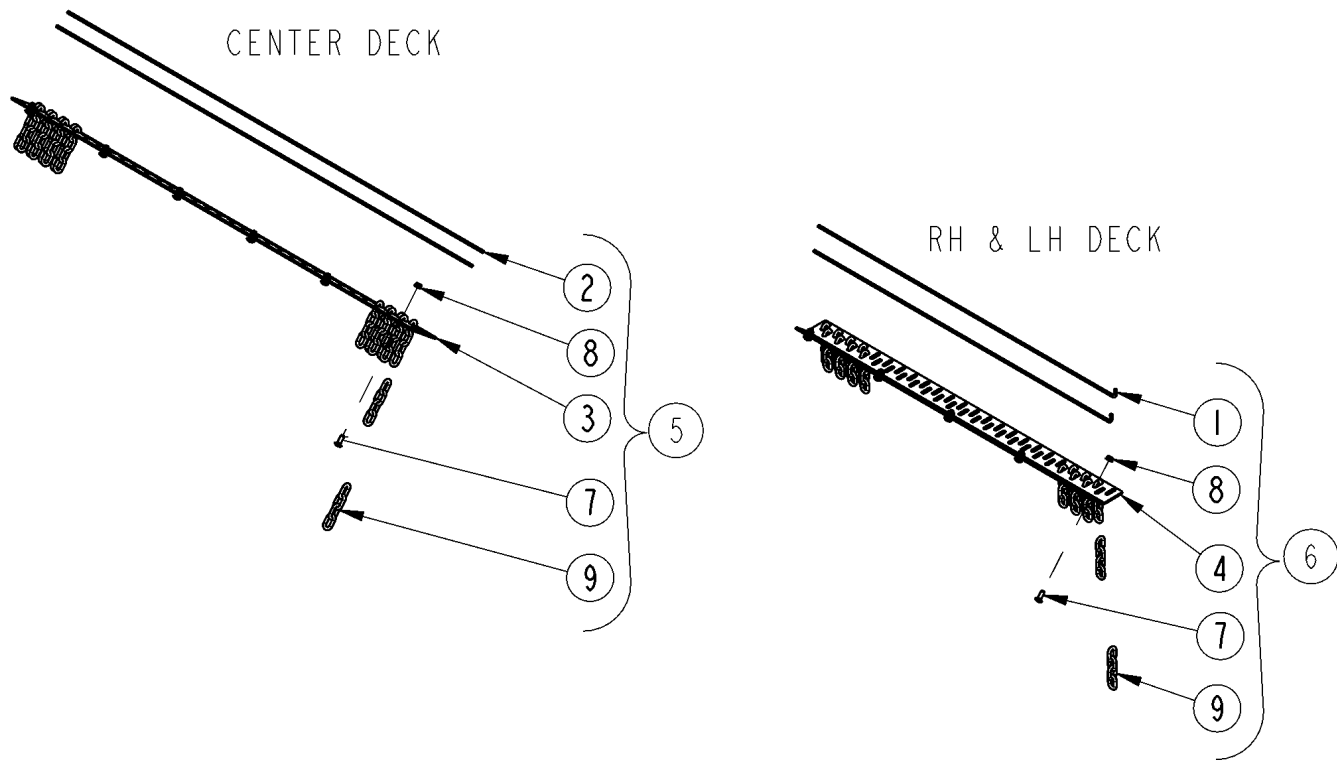
33592

**Guards Chain Double Row Front****Applies to RC3620, RCM3620**

<b>Ref</b>	<b>Part No.</b>	<b>Part Description</b>	<b>Comments</b>	<b>Revision</b>
	Dwg 33592 330-818A	Drawing Image Number CHNGRD FRONT DOUBLE *		
1.	316-096D	CHAIN HANGER ROD - 32 1/2 LG		
2.	318-107D	ROUND ROD 1/4 X 31 1/2		
3.	318-476D	ROUND ROD .25 X 94		
4.	330-445D	CHNGRD, FRT DBL CNTR		
5.	330-446D	CHNGRD, FRT DBL WING		
6.	330-448D	CHNGRD FRT DBL CTR OU		
7.	330-882K	ASSY CHNGRD WG FRT DBL		
8.	330-884K	ASSY CHNGRD CTR FRT DBL		
9.	330-885K	ASSY CHNGRD OTR FRT DBL		
10.	802-015C	RHSNB 3/8-16X1 GR5		
11.	803-198C	NUT HEX WHIZ 3/8-16 PLT		
12.	890-175C	CHAIN 5/16 PROOF X 6 LINKS PLT		
13.	890-341C	CHAIN WELD 5/16 PROOF X 5 LINK		

# Guards Chain Double Row Rear

Applies to RC3620, RCM3620



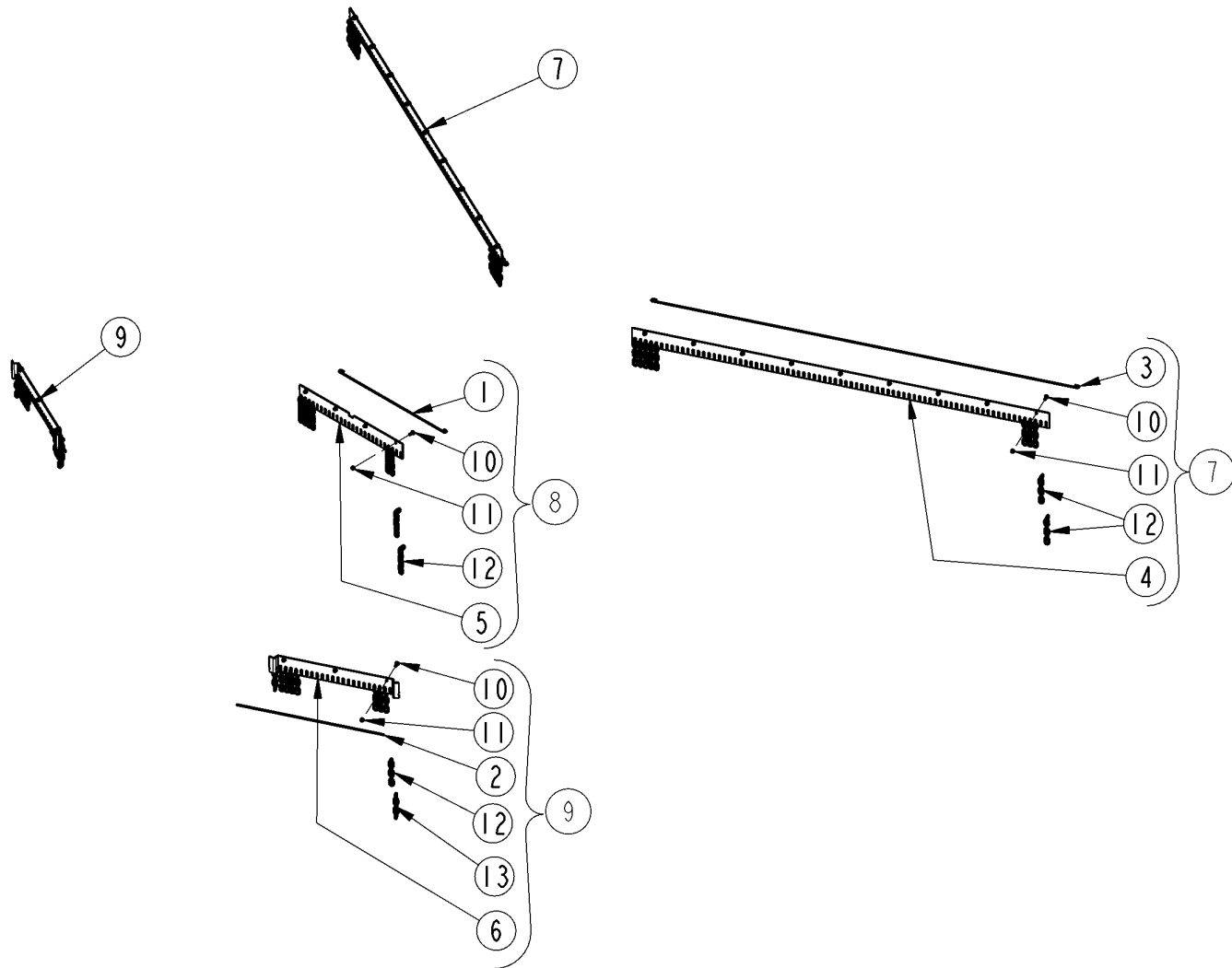
33594

**Guards Chain Double Row Rear****Applies to RC3620, RCM3620**

<b>Ref</b>	<b>Part No.</b>	<b>Part Description</b>	<b>Comments</b>	<b>Revision</b>
	Dwg 33594 330-820A	Drawing Image Number CHNGRD REAR DOUBLE *		
1.	312-737D	ROD 1/4 X 44 PLTD.		
2.	312-942D	RPBY 318-478D		
2.	318-478D	ROUND ROD .25 X 59		
3.	330-447D	CHNGRD, REAR DBL CTR		
4.	330-449D	CHNGRD, WING DBL REAR		
5.	330-886K	ASSY CHNGRD CTR REAR DBL		
6.	330-887K	ASSY CHNGRD WG REAR DBL		
7.	802-015C	RHSNB 3/8-16X1 GR5		
8.	803-198C	NUT HEX WHIZ 3/8-16 PLT		
9.	890-400C	CHAIN WELD 5/16 PROOF X 4 LINK		

# Guards Chain Single Row Front

Applies to RC3620, RCM3620



33591

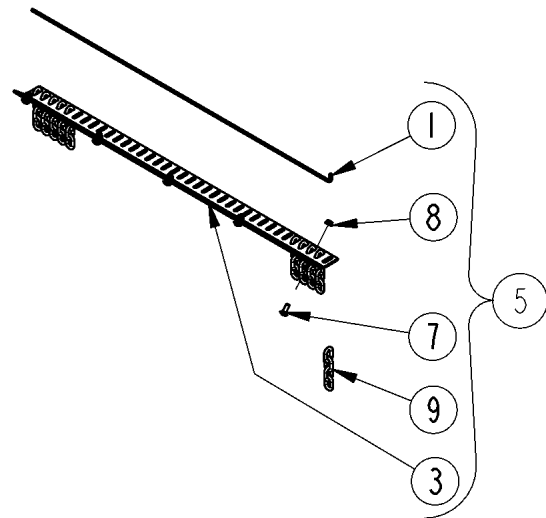
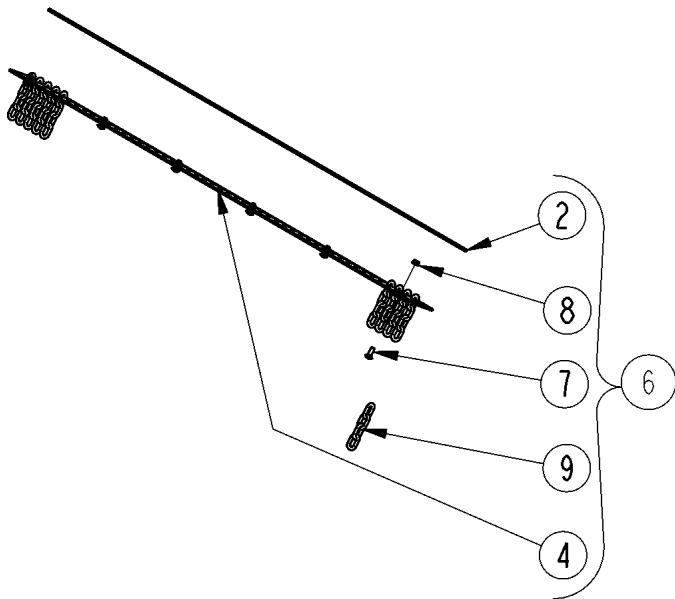


**Guards Chain Single Row Front****Applies to RC3620, RCM3620**

<b>Ref</b>	<b>Part No.</b>	<b>Part Description</b>	<b>Comments</b>	<b>Revision</b>
	Dwg 33591 330-817A	Drawing Image Number CHNGRD FRONT SINGLE *		
1.	316-096D	CHAIN HANGER ROD - 32 1/2 LG		
2.	318-107D	ROUND ROD 1/4 X 31 1/2		
3.	318-476D	ROUND ROD .25 X 94		
4.	330-428D	CHNGRD, FRT SGL WING		
5.	330-431D	CHNGRD, FRT SGL CNTR		
6.	330-432D	CHNGRD FRT SGL CTR OU		
7.	330-810K	ASSY CHNGRD WG FRT SGL		
8.	330-813K	ASSY CHNGRD CTR FRT SGL		
9.	330-814K	ASSY CHNGRD OTR FRT SGL		
10.	802-015C	RHSNB 3/8-16X1 GR5		
11.	803-198C	NUT HEX WHIZ 3/8-16 PLT		
12.	890-175C	CHAIN 5/16 PROOF X 6 LINKS PLT		
13.	890-341C	CHAIN WELD 5/16 PROOF X 5 LINK		

# Guards Chain Single Row Rear

Applies to RC3620, RCM3620



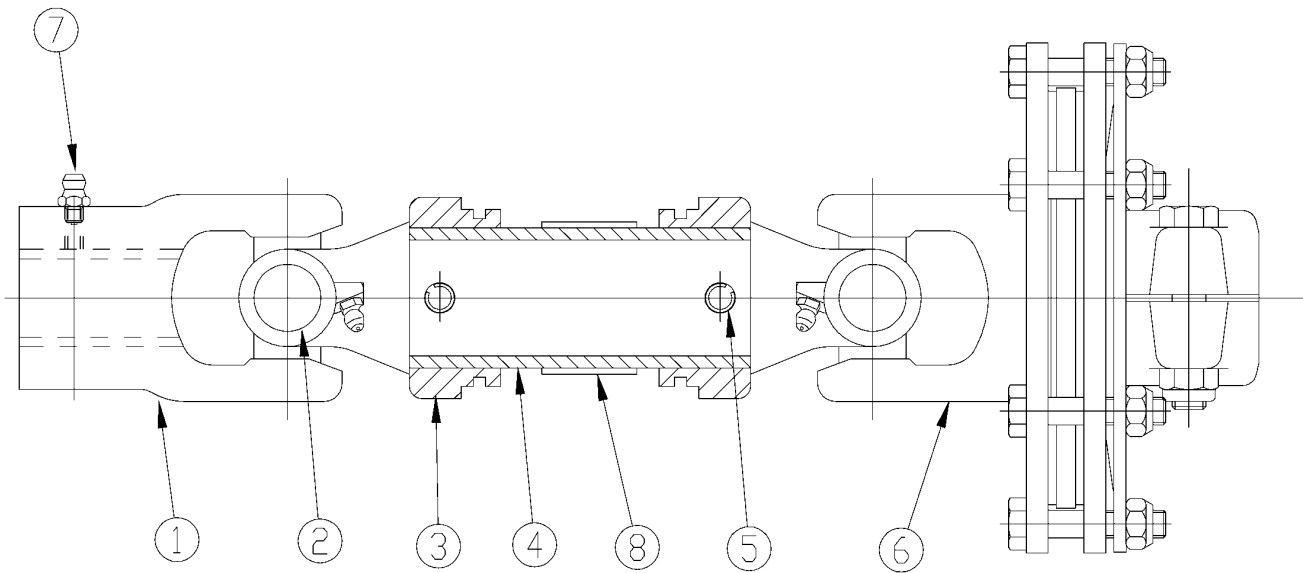
33593

**Guards Chain Single Row Rear****Applies to RC3620, RCM3620**

<b>Ref</b>	<b>Part No.</b>	<b>Part Description</b>	<b>Comments</b>	<b>Revision</b>
	Dwg 33593 330-819A	Drawing Image Number CHNGRD REAR SINGLE *		
1.	312-737D	ROD 1/4 X 44 PLTD.		
2.	312-942D	RPBY 318-478D		
2.	318-478D	ROUND ROD .25 X 59		
3.	330-430D	CHNGRD, WING SGL REAR		
4.	330-434D	CHNGRD, REAR SGL CTR		
5.	330-812K	ASSY CHNGRD WG REAR SGL		
6.	330-815K	ASSY CHNGRD CTR REAR SGL		
7.	802-015C	RHSNB 3/8-16X1 GR5		
8.	803-198C	NUT HEX WHIZ 3/8-16 PLT		
9.	890-400C	CHAIN WELD 5/16 PROOF X 4 LINK		

***Driveline (826-715C)***

**Applies to RCM3620**



33832

**Driveline (826-715C)**

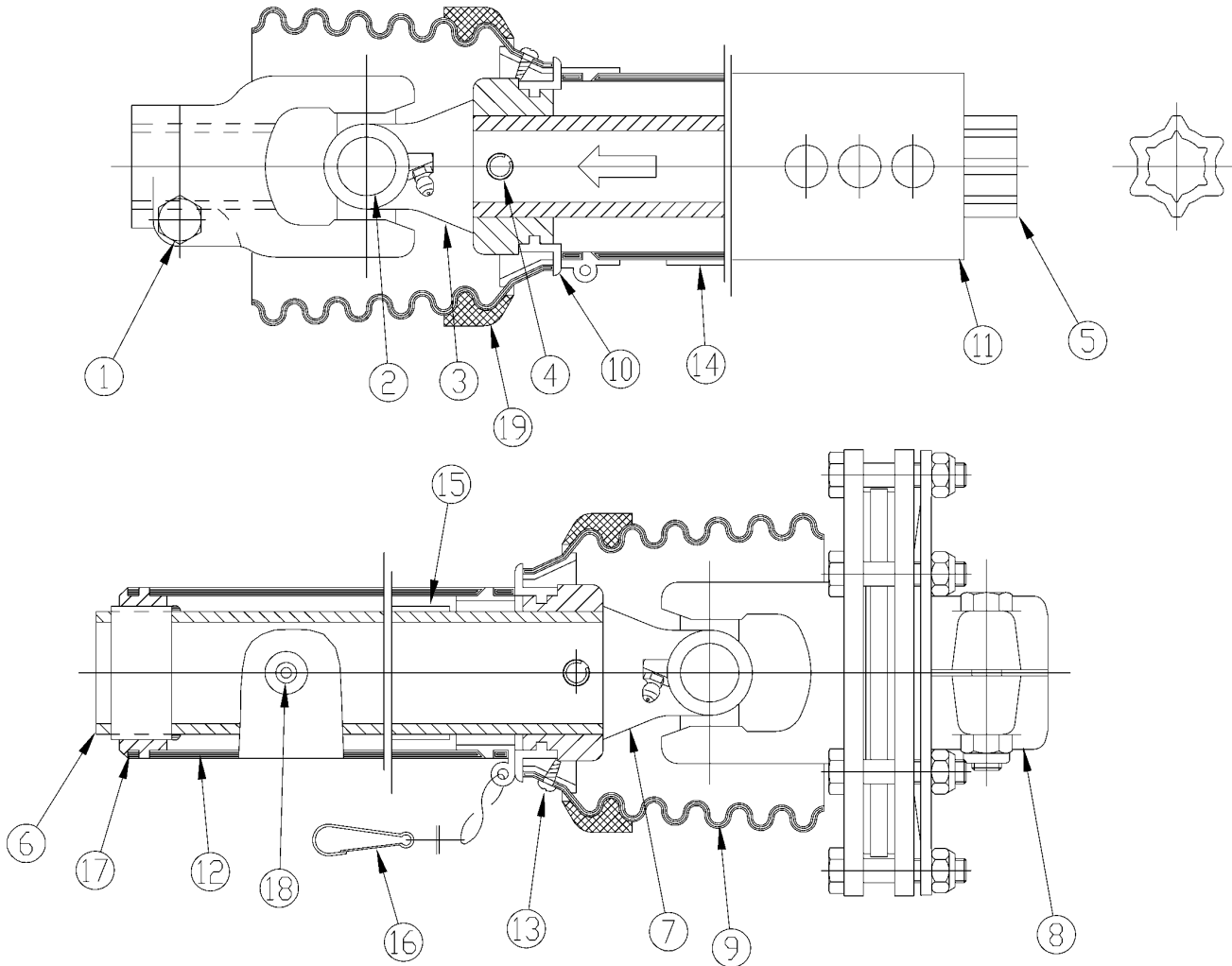
---

**Applies to RCM3620**

<b>Ref</b>	<b>Part No.</b>	<b>Part Description</b>	<b>Comments</b>	<b>Revision</b>
	Dwg 33832 826-715C	Drawing Image Number DRVLN, INT CAT 4 W/CLUTCH *		
1.	396795	WS YOKE 1 3/4"-20 SPL		
2.	312410	WS CROSS BRG KIT		
3.	019519	WS INBOARD YOKE		
4.	399863	WS OUTER PROFILE 2A		
5.	020617	WS SPRING PIN 10 X 20		
6.	396674	WS FRICTION CLUTCH		
7.	304263	EC ZERK		
8.	818-540C	DECAL DANGER GUARD MISS PTO		

# Driveline (826-716C)

Applies to RCM3620



33833

**Driveline (826-716C)**

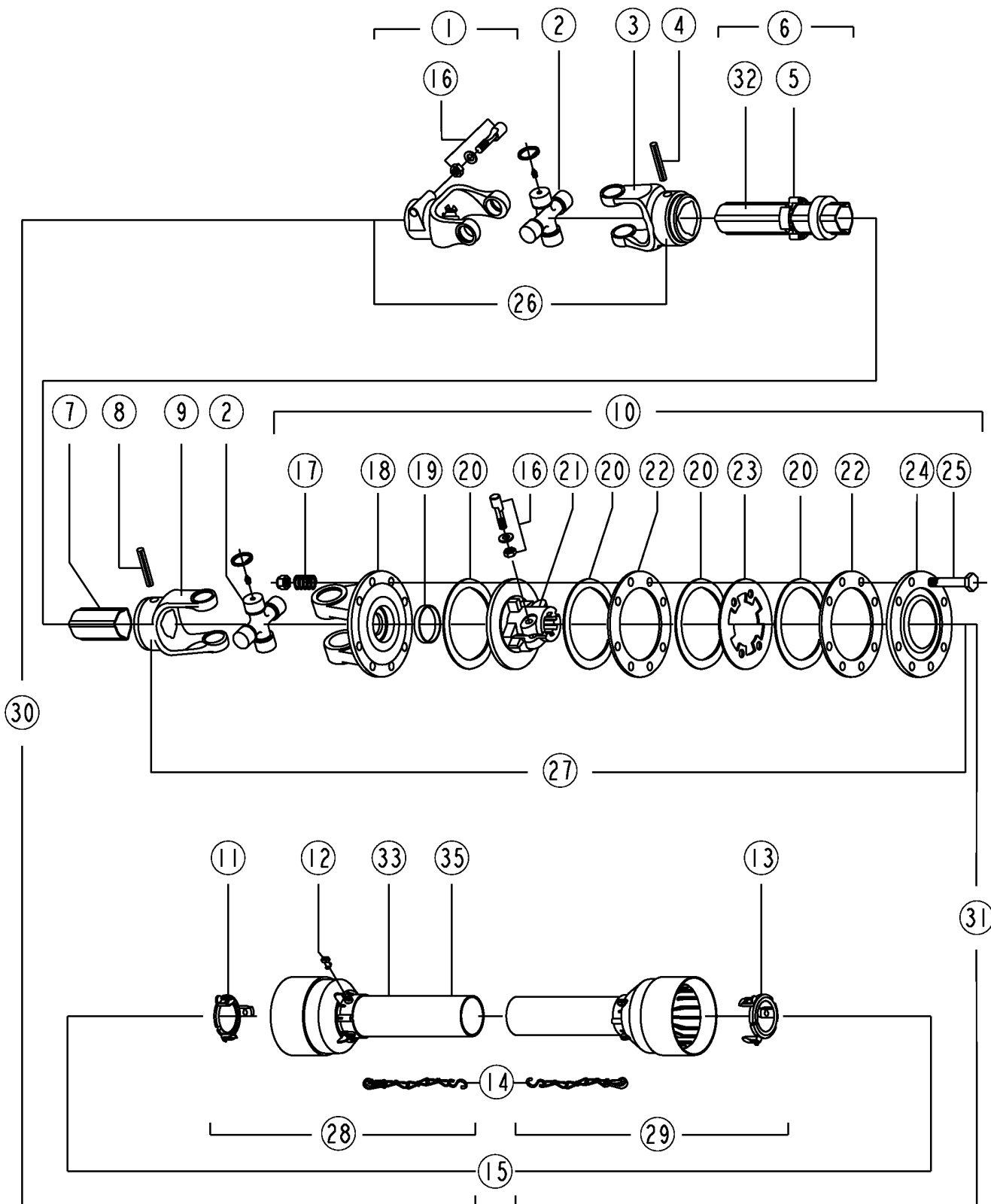
---

**Applies to RCM3620**

<b>Ref</b>	<b>Part No.</b>	<b>Part Description</b>	<b>Comments</b>	<b>Revision</b>
	Dwg 33833 826-716C	Drawing Image Number DRVLN, WING CAT 4 W/CLUTCH *		
1.	331053	WS YOKE 1 3/4-20 SPL.I.C. 2500		
2.	312410	WS CROSS BRG KIT		
3.	356905	WS SHAFT YOKE		
4.	020617	WS SPRING PIN 10 X 20		
5.	191800	WS INNER PROFILE S4LGA		
6.	399943	WS PROFILE&SLEEVE WA-S5GL		
7.	356906	WS SHAFT YOKE		
8.	396674	WS FRICTION CLUTCH		
9.	377336	WS SHIELD CONE 6 RIB		
10.	087276	WS BRG RING - SC25		
11.	399944	WS GUARD TUBE OUTER		
12.	397991	WS GUARD TUBE INNER		
13.	365305	WS SCREW		
14.	818-552C	DECAL DANGER PTO DRIVELINE		
15.	818-540C	DECAL DANGER GUARD MISS PTO		
16.	044321	DRIVELINE SHIELD SAFETY CHAIN		
17.	355155	WS SUPPORT BRG		
18.	380371	WS ZERK		
19.	359471	WS REINFORCING COLLAR		

# Driveline (826-816C) Comer

Applies to RCM3620



70893

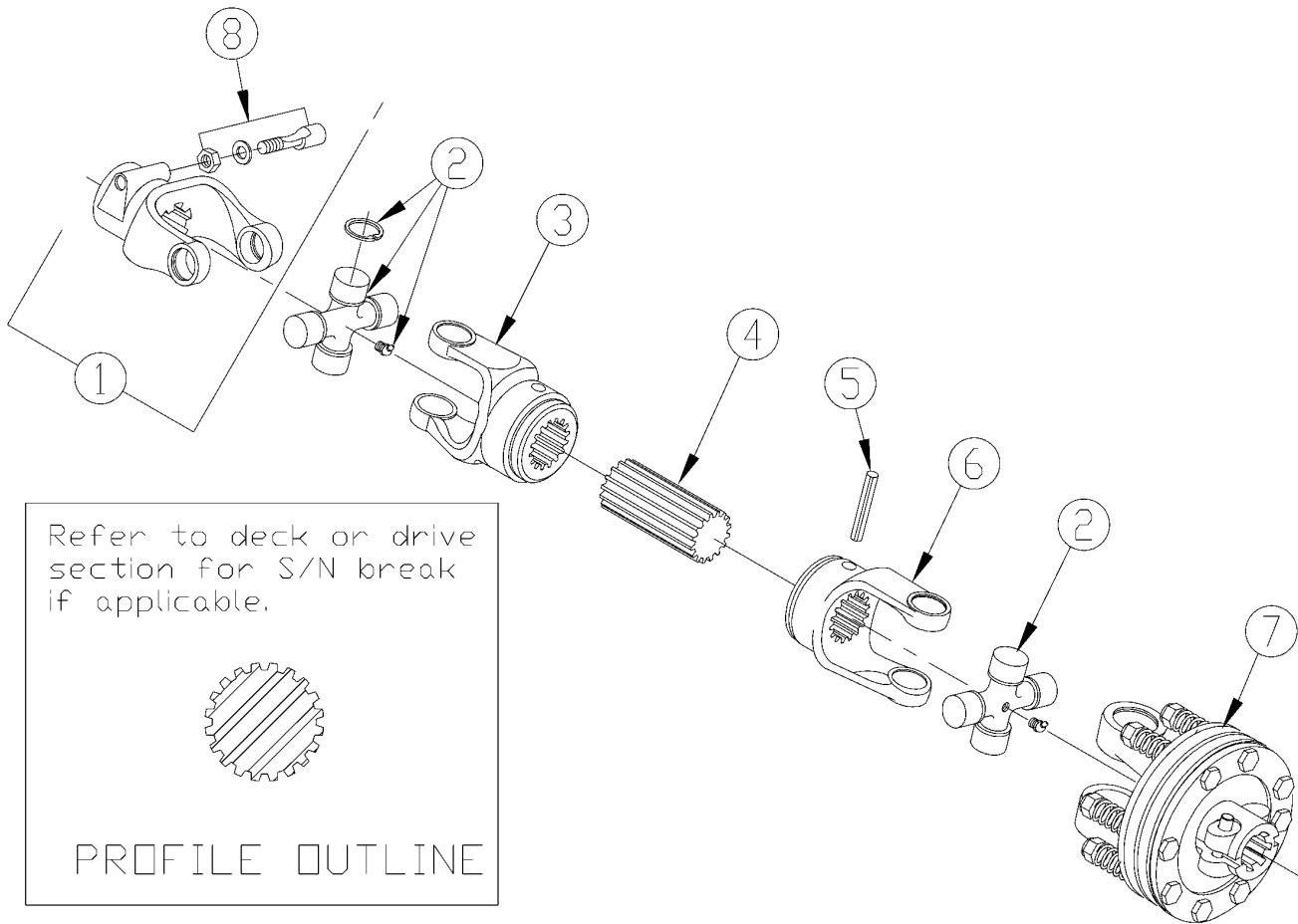


**Driveline (826-816C) Comer****Applies to RCM3620**

Ref	Part No.	Part Description	Comments	Revision
	Dwg 70893 826-816C	Image No. DRVLN C4 69 1.75-20 FX CLTCH *		
1.	141.026.357.1	COMER YOKE COMPLETE		
2.	180.016.898	CO CROSS JOURNAL SET		
3.	151.016.028.1	CO OUTER YOKE		
4.	190.000.018	CO ROLL PIN OUTER TUBE		
5.	180.016.316	CO BUSH WITH GREASE FITTING		
6.	152.170.3897810	CO COMPLETE OUTER TUBE		
7.	153.160.720	CO ROLL PIN FOR INNER TUBE		
8.	190.000.016	COMER ROLL PIN, INNER TUBE		
9.	151.016.029.1	CO INNER YOKE		
10.	146.264.082.1	CO COMPLETE DISC CLUTCH F49		
11.	180.016.237	CO GRD RETAIN CLLR FOR OTR TB		
12.	180.014.240	COMER BOLT		
13.	180.016.238	CO GRD RETAIN CLLR FOR INR TB		
14.	180.016.790	CO SAFTEY CHAINS		
15.	142.260.5207621	CO COMPLETE GUARD W/MANUAL		
16.	165.000.589	COMER TAPERED PIN SET 1 3/4		
17.	180.014.022	COMER SPRING		
18.	151.016.037.1	COMER YOKE, FLANGED		
19.	180.019.019	COMER BUSH		
20.	180.019.340	COMER LINING RING		
21.	151.018.228.1	COMER CLUTCH SUPPORT		
22.	180.019.014	COMER INNER PLATE		
23.	180.019.115	COMER INTERMEDIATE PLATE		
24.	180.019.116.1	COMER PRESSURE PLATE		
25.	165.000.548	COMER BOLT WITH NUT M10X100		
26.	121.026.1370.01	CO U-JOINT FOR OUTER TUBE		
27.	121.026.1369.01	CO U-JOINT FOR INNER TUBE		
28.	142.266.3027621	CO HALF FEMALE GAURDING		
29.	142.267.2707621	CO HALF MALE GUARD		
30.	123.360.505.01	CO HALF FEMALE SHFT W/GUARDING		
31.	123.460.1057.01	CO HALF MALE SHAFT W/GUARD		
32.	190.000.098	COMER DANGER LABEL OUTER TUBE		
33.	190.000.099	COMER DANGER LABEL GUARD OUTER		
34.	190.000.371	CO INSTRUCTION MANUAL	Not shown	
35.	190.000.919	CO LABEL W/CUSTOMER CODE		

# Driveline Center (826-495C) Comer

Applies to RCM3620



**Driveline Center (826-495C) Comer**

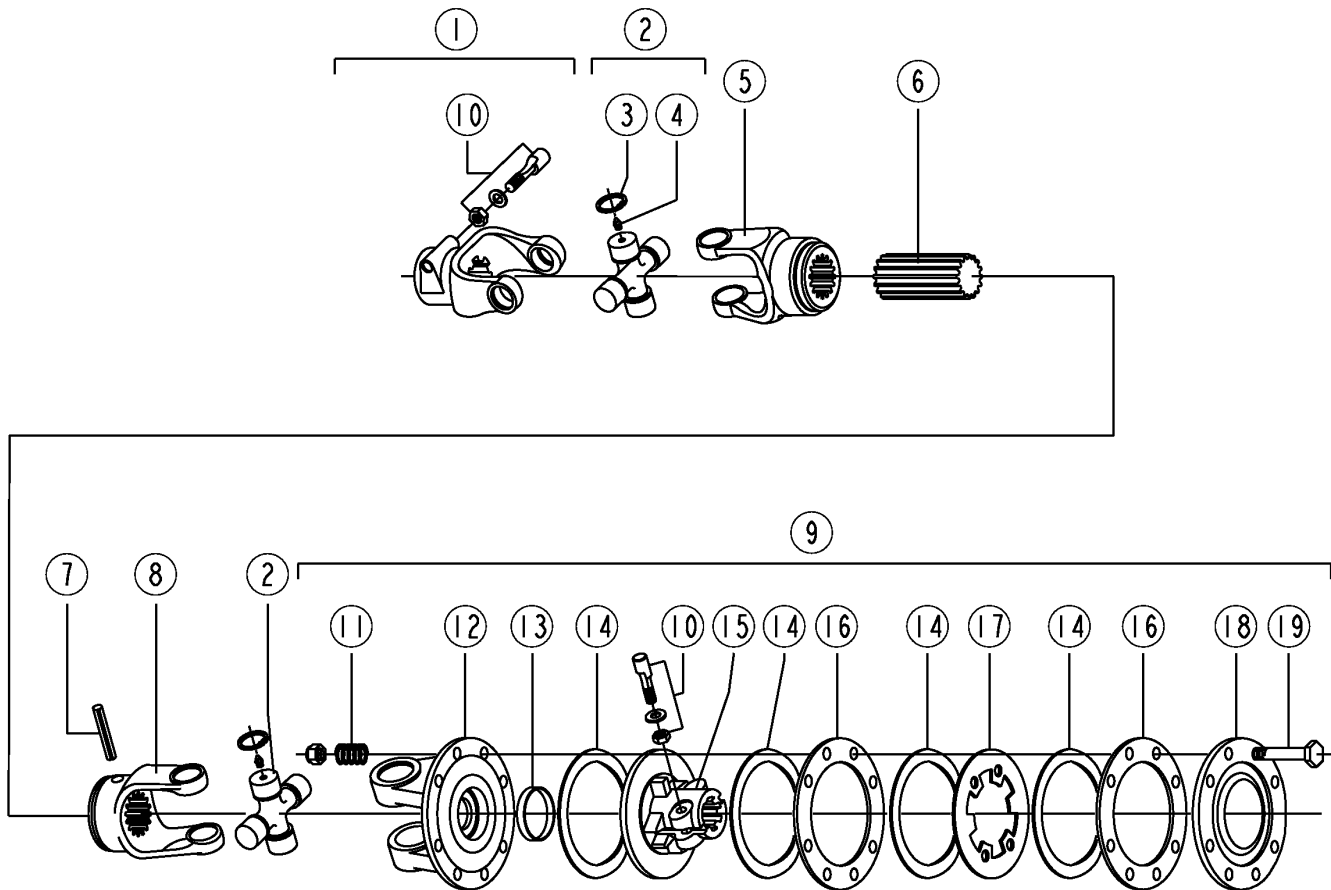
---

**Applies to RCM3620**

<b>Ref</b>	<b>Part No.</b>	<b>Part Description</b>	<b>Comments</b>	<b>Revision</b>
	Dwg 23955	Drawing Image Number		
	826-495C	RPBY 826-820C		
1.	141.026.357.1	COMER YOKE COMPLETE		
2.	180.016.130	COMER CROSS ASSEMBLY		
3.	170.016.630.1	COMER YOKE, OUTER		
4.	155.150.726	COMER SHAFT, SPLINED		
5.	190.000.016	COMER ROLL PIN, INNER TUBE		
6.	151.016.031.1	COMER INNER YOKE		
7.	146.264.024.1	COMER CLUTCH, COMPLETE ASSY		
8.	165.000.589	COMER TAPERED PIN SET 1 3/4		

# Driveline Center (826-820C) Comer

Applies to RCM3620



37508

**Driveline Center (826-820C) Comer**

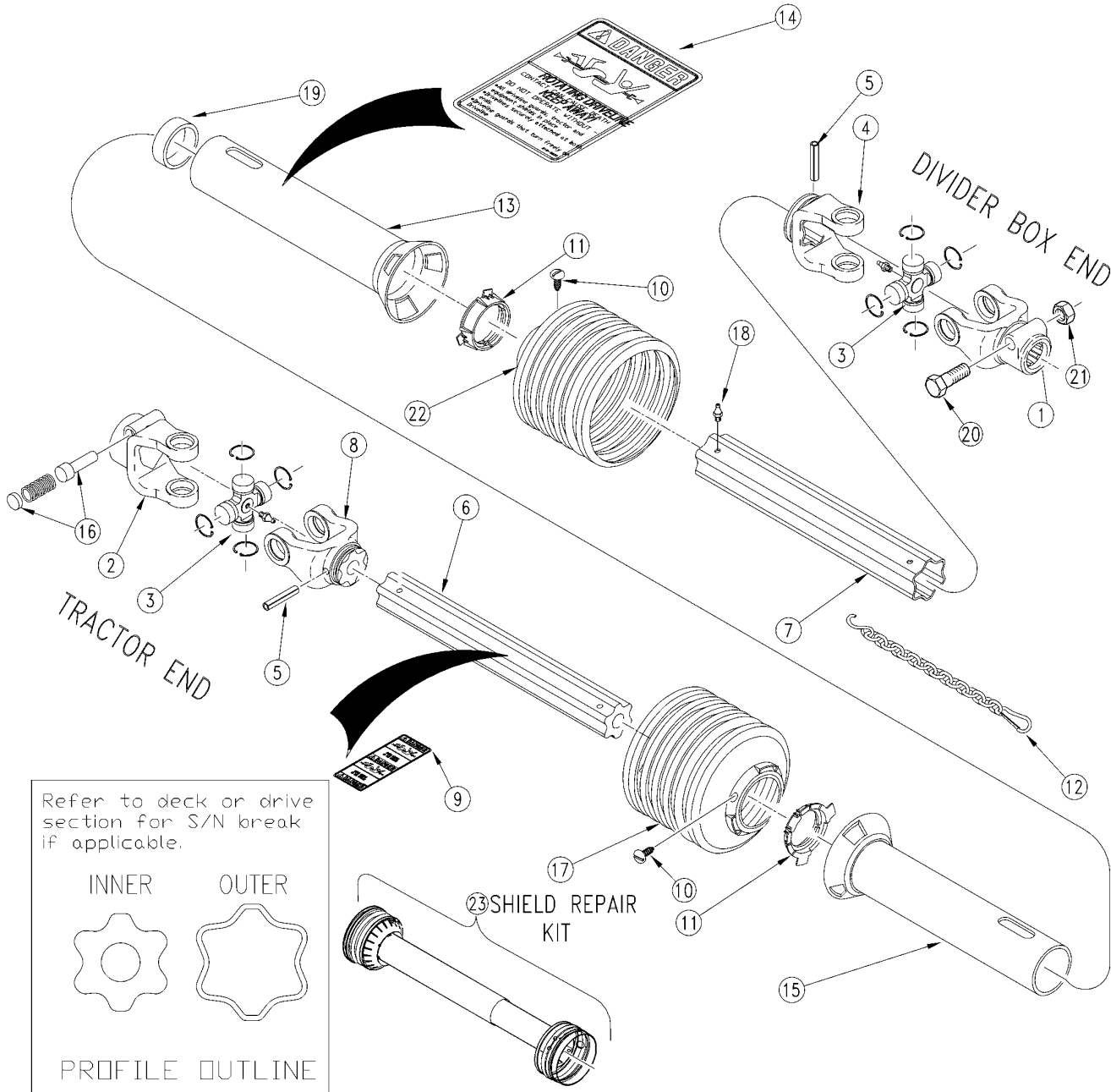
---

**Applies to RCM3620**

<b>Ref</b>	<b>Part No.</b>	<b>Part Description</b>	<b>Comments</b>	<b>Revision</b>
	Dwg 37508	Image No.		
	826-820C	PTO E60 X 27.44 1280NM CLUTCH		
1.	141.026.357.1	COMER YOKE COMPLETE		
2.	180.016.780	CO CROSS JOURNAL SET		
3.	190.000.032	CO CIRCLIP		
4.	190.000.047	CO GREASE NIPPLE		
5.	170.016.630.1	COMER YOKE, OUTER		
6.	155.150.726	COMER SHAFT, SPLINED		
7.	190.000.016	COMER ROLL PIN, INNER TUBE		
8.	151.016.896.1	CO INNER YOKE		
9.	146.264.024.1	COMER CLUTCH, COMPLETE ASSY		
10.	165.000.589	COMER TAPERED PIN SET 1 3/4		
11.	180.014.022	COMER SPRING		
12.	151.016.037.1	COMER YOKE, FLANGED		
13.	180.019.019	COMER BUSH		
14.	180.019.340	COMER LINING RING		
15.	151.018.228.1	COMER CLUTCH SUPPORT		
16.	180.019.014	COMER INNER PLATE		
17.	180.019.115	COMER INTERMEDIATE PLATE		
18.	180.019.116.1	COMER PRESSURE PLATE		
19.	165.000.548	COMER BOLT WITH NUT M10X100		

# Driveline Conv. 1000 RPM (826-247C) Walterscheid

Applies to RCM3620

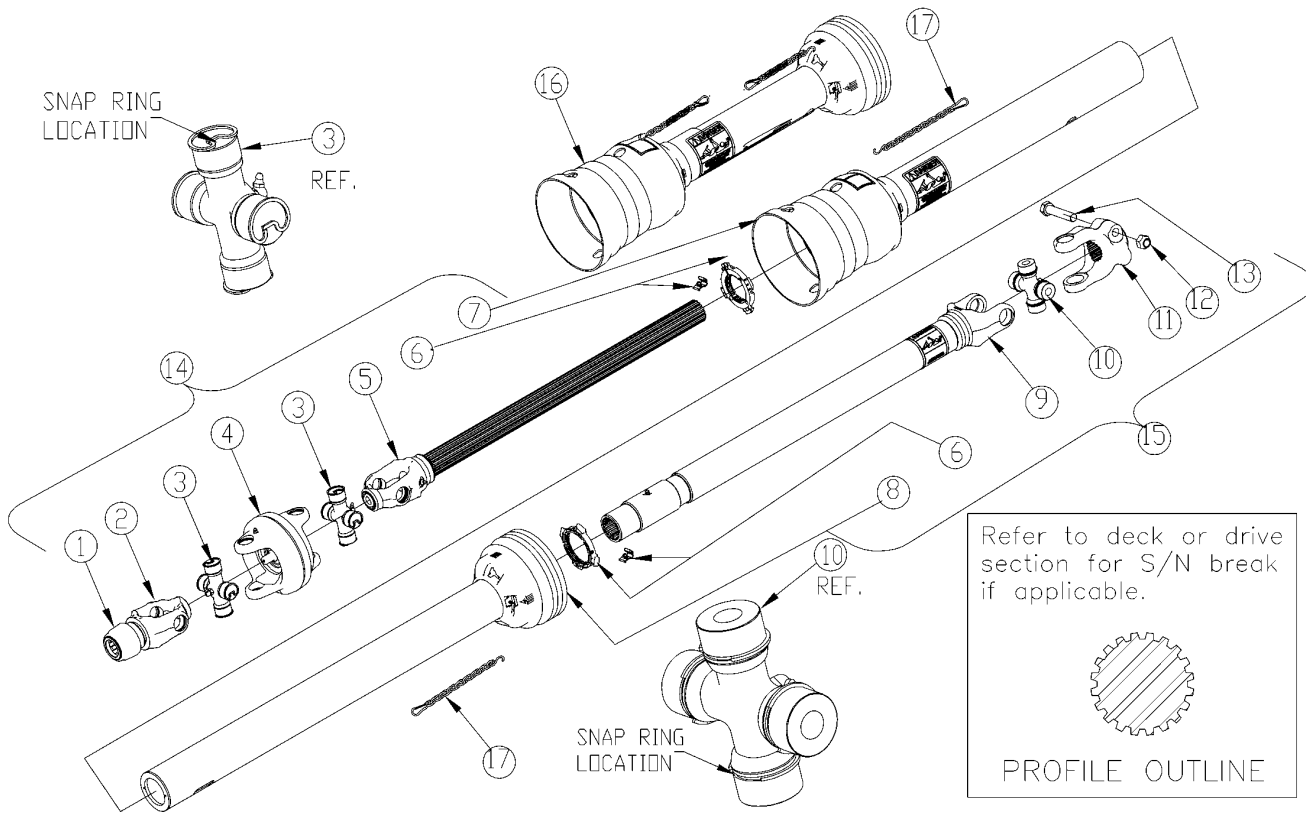


**Driveline Conv. 1000 RPM (826-247C) Walterscheid****Applies to RCM3620**

<b>Ref</b>	<b>Part No.</b>	<b>Part Description</b>	<b>Comments</b>	<b>Revision</b>
	Dwg 26869	Drawing Image Number		
	826-247C	PTO 2500 CAT.5 1000 1 3/8-21		
1.	325027	WS YOKE 1 3/4-20 SPL.I.C. 2500		
2.	362430	WS YOKE 1 3/8-21 SPL. AS		
3.	312209	WS CROSS & BEARING KIT 2500		
4.	097140	WS INBOARD YOKE 2500		
5.	304046	WS SPRING PIN 10 X 90		
6.	333645	WS INNER PROFILE S4		
7.	387768	WS PROFILE & SLEEVE W.A.		
8.	097133	WS INBOARD YOKE 2400		
9.	818-540C	DECAL DANGER GUARD MISS PTO		
10.	365305	WALTERSCHEID SCREW		
11.	087276	WS BEARING RING - SC25		
12.	044321	WALTERSCHEID SAFETY CHAIN	(S/N 928934-)	
13.	391409	WS OUTER SHIELD TUBE OVAL		
14.	818-552C	DECAL DANGER PTO DRIVELINE		
15.	391410	WS INNER SHIELD TUBE RND.		
16.	364915	WS ASSY COLLAR KIT		
17.	377437	WS SHIELD CONE 7 RIB		
18.	380371	WS ZERK		
19.	355155	WS SUPPORT BEARING		
20.	702352	WS HEX BOLT M16 X 90 GR 8.8		
21.	304011	WS LOCK NUT M16		
22.	377437	WS SHIELD CONE 7 RIB		
23.	826-603C	SHIELD KIT, 826-247C		

# Driveline CV 1.38 1000 RPM (826-644C) Weasler

Applies to RCM3620



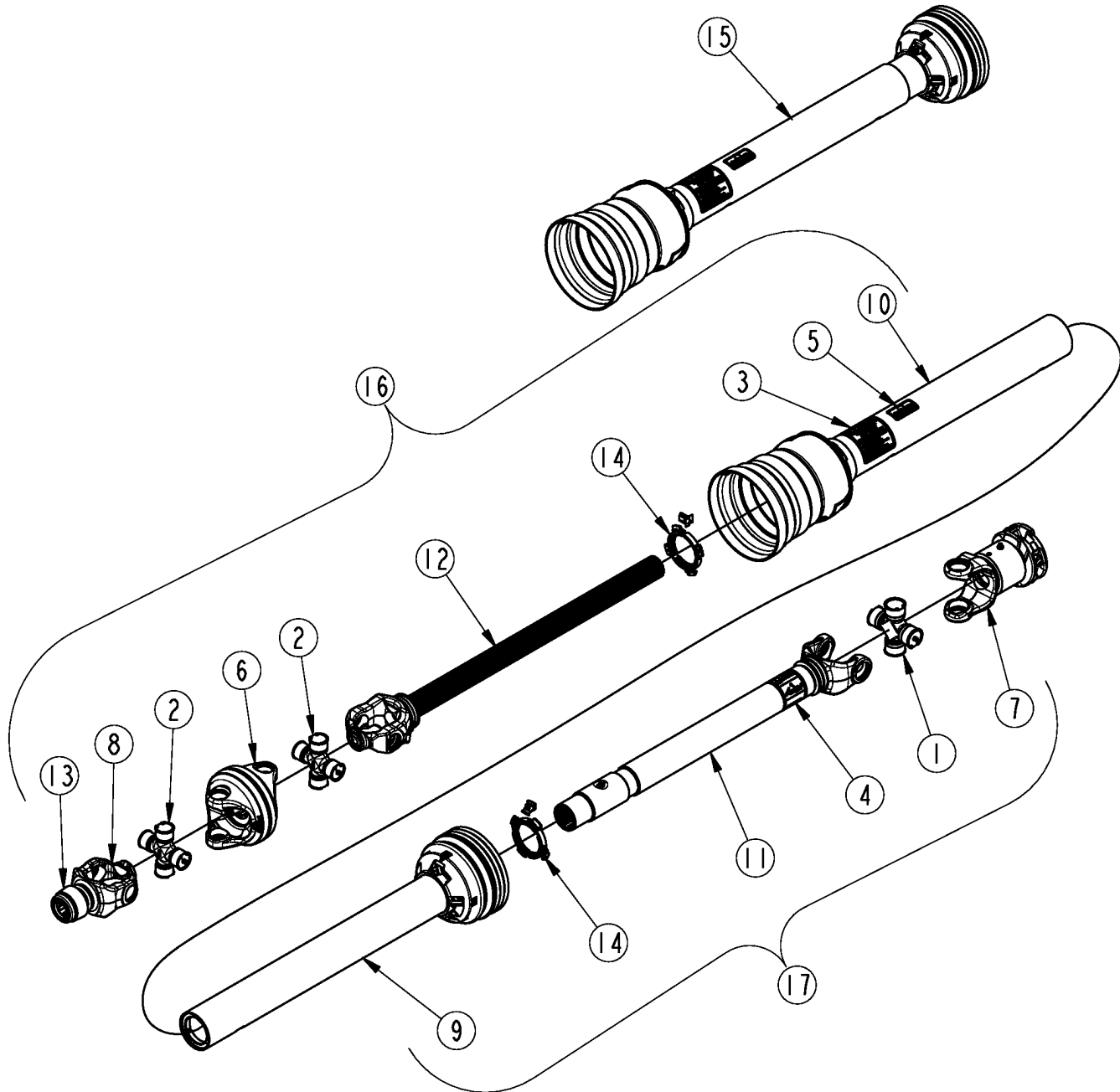


**Driveline CV 1.38 1000 RPM (826-644C) Weasler****Applies to RCM3620**

Ref	Part No.	Part Description	Comments	Revision
	Dwg 30187 826-644C	Image No. DRVLN C6 42 1.38-21 CV *		
1.	26-15120	WE SSL/AUTO-LOK REPAIR KIT		
2.	68810-1003	WE WWCV AUTO-LOK YOKE ASM		
3.	03-15570	WE AB8/AW25EBL CROSS KIT		
4.	26-16033	WE WWCV CENTER HOUSING		
5.	99-24406	WE YOKE&SHAFT (1.69-20 SPLINE)		
6.	19-15135	WE GUARD REPAIR KIT	S/N 712190+	
6.	19-15121	WE GRD REPAIR KIT	S/N 712189-	
7.	97-25023	WE OUTER GUARD		
8.	96-24406	WE INNER GUARD		
9.	98-24406	WE YOKE, TUBE & SLIP SLEEVE		
10.	03-15316	WE 55EBL CROSS KIT		
11.	55051-1817	WE YOKE		
12.	11-14988	WE LOCK NUT .625-11		
13.	11-15180	WE BOLT .625-11 X 3.00L GR8		
14.	93-25023	WE JOINT&SHFT HALF ASM W/GUARD		
15.	92-24406	WE JOINT&TUBE HALF ASM W/GUARD		
16.	91-25023	WE GUARD SET		
17.	11-80005	WE CHAIN	S/N 928934-	

**Driveline CV 1.38 1000 RPM W/ Overrunning Clutch (826-793C) Weasler**

Applies to RCM3620



70947

**Driveline CV 1.38 1000 RPM W/ Overrunning Clutch (826-793C) Weasler**

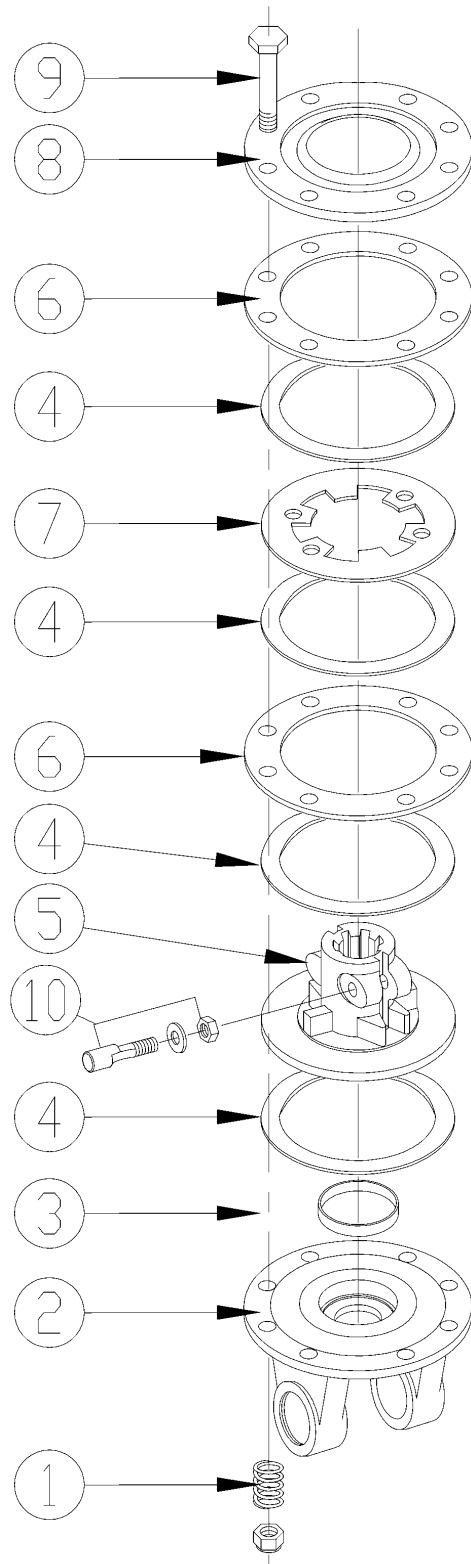
---

**Applies to RCM3620**

<b>Ref</b>	<b>Part No.</b>	<b>Part Description</b>	<b>Comments</b>	<b>Revision</b>
	Dwg 70947 826-793C	Image No. DRVLN C6 39 1.38-21 CV ORCLTCH *		
1.	03-15316	WE 55EBL CROSS KIT		
2.	03-15570	WE AB8/AW25EBL CROSS KIT		
3.	13-10021	WE SAFETY SIGN		
4.	13-10022	WE SAFETY SIGN		
5.	13-15249	WE DECAL LAND PRIDE		
6.	26-16033	WE WWCV CENTER HOUSING		
7.	39-10039	WE OVERRUNNING THRST CLTCH ASM		
8.	68810-1003	WE WWCV AUTO-LOK YOKE ASM		
9.	82-26654	WE JOINT & TUBE HALF GUARD SET		
10.	83-26656	WE JOINT & SHFT HALF GUARD SET		
11.	98-26654	WE YOKE, TUBE & SLIP SLEEVE		
12.	99-24406	WE YOKE&SHAFT (1.69-20 SPLINE)		
13.	26-15120	WE SSL/AUTO-LOK REPAIR KIT		
14.	19-15121	WE GUARD REPAIR KIT		
15.	90-26654	WE GUARD SET		
16.	93-25023	WE JOINT&SHFT HALF ASM W/GUARD		
17.	94-26654	WE JOINT & TUBE HALF ASM		

# Driveline Slip Clutch (146.264.024.1) Comer

Applies to RCM3620



23957

**Driveline Slip Clutch (146.264.024.1) Comer**

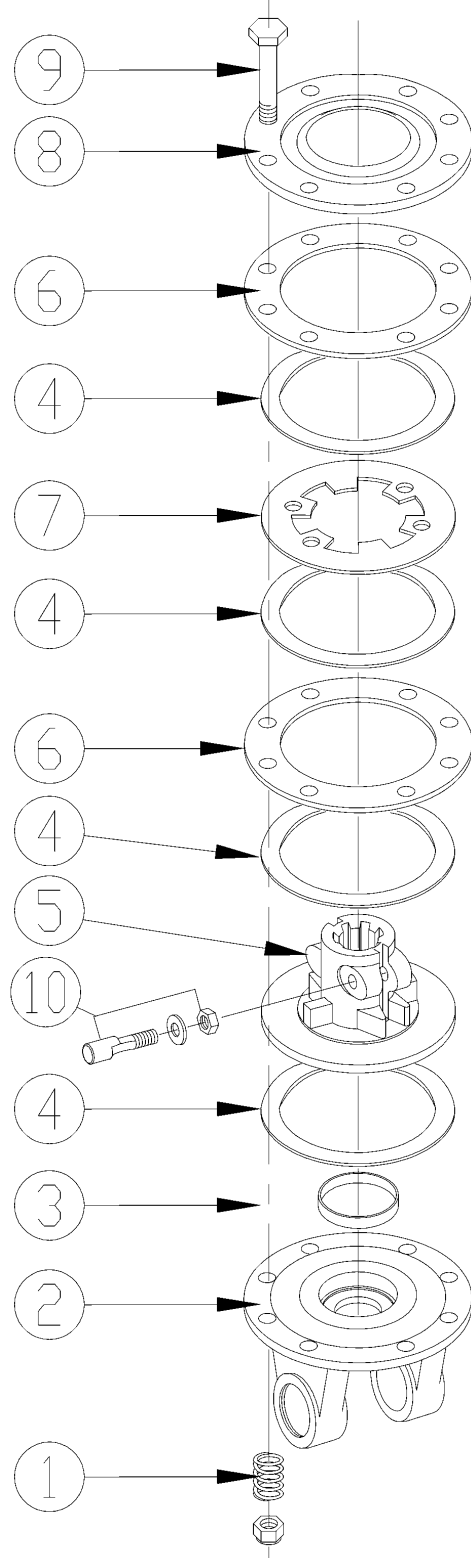
---

**Applies to RCM3620**

<b>Ref</b>	<b>Part No.</b>	<b>Part Description</b>	<b>Comments</b>	<b>Revision</b>
	Dwg 23957	Drawing Image Number		
	146.264.024.1	COMER CLUTCH, COMPLETE ASSY *		
1.	180.014.022	COMER SPRING		
2.	151.016.037.1	COMER YOKE, FLANGED		
3.	180.019.019	COMER BUSH		
4.	180.019.018	COMER LINING RING		
5.	151.018.228.1	COMER CLUTCH SUPPORT		
6.	180.019.014	COMER INNER PLATE		
7.	180.019.115	COMER INTERMEDIATE PLATE		
8.	180.019.116.1	COMER PRESSURE PLATE		
9.	165.000.548	COMER BOLT WITH NUT M10X100		
10.	165.000.589	COMER TAPERED PIN SET 1 3/4		

# Driveline Slip Clutch (146.284.020.1) Comer

Applies to RCM3620



23958

**Driveline Slip Clutch (146.284.020.1) Comer**

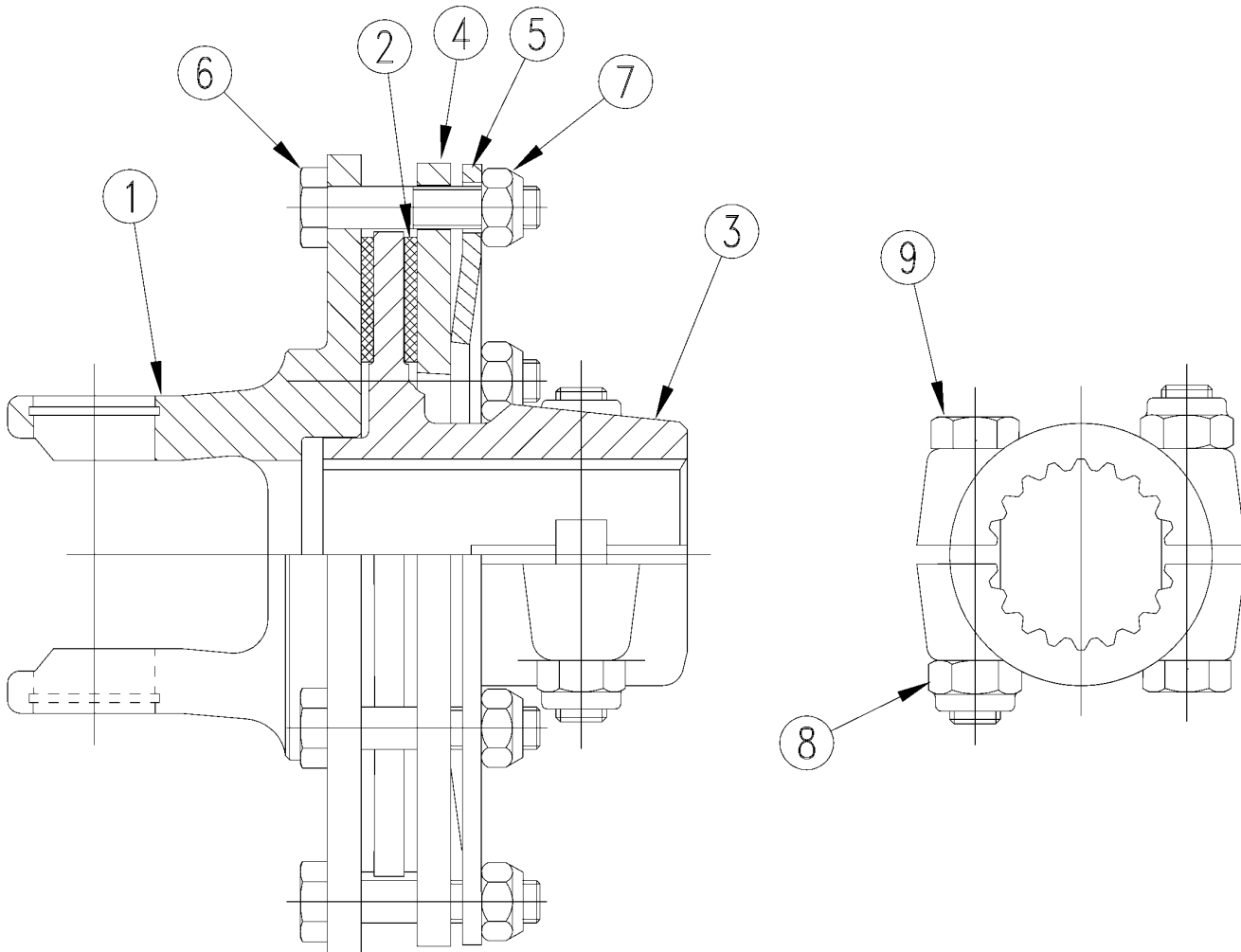
---

**Applies to RCM3620**

<b>Ref</b>	<b>Part No.</b>	<b>Part Description</b>	<b>Comments</b>	<b>Revision</b>
	dwg23958	Drawing Image Number		
	146.284.020.1	COMER CLUTCH, DISC COMPLETE *		
1.	180.014.022	COMER SPRING		
2.	151.018.016.1	COMER YOKE, FLANGED		
3.	180.019.019	COMER BUSH		
4.	180.019.018	COMER LINING RING		
5.	151.018.228.1	COMER CLUTCH SUPPORT		
6.	180.019.014	COMER INNER PLATE		
7.	180.019.115	COMER INTERMEDIATE PLATE		
8.	180.019.116.1	COMER PRESSURE PLATE		
9.	165.000.548	COMER BOLT WITH NUT M10X100		
10.	165.000.589	COMER TAPERED PIN SET 1 3/4		

**Driveline Slip Clutch (396674) Waltersheid**

Applies to RCM3620



33879



**Driveline Slip Clutch (396674) Waltersheid**

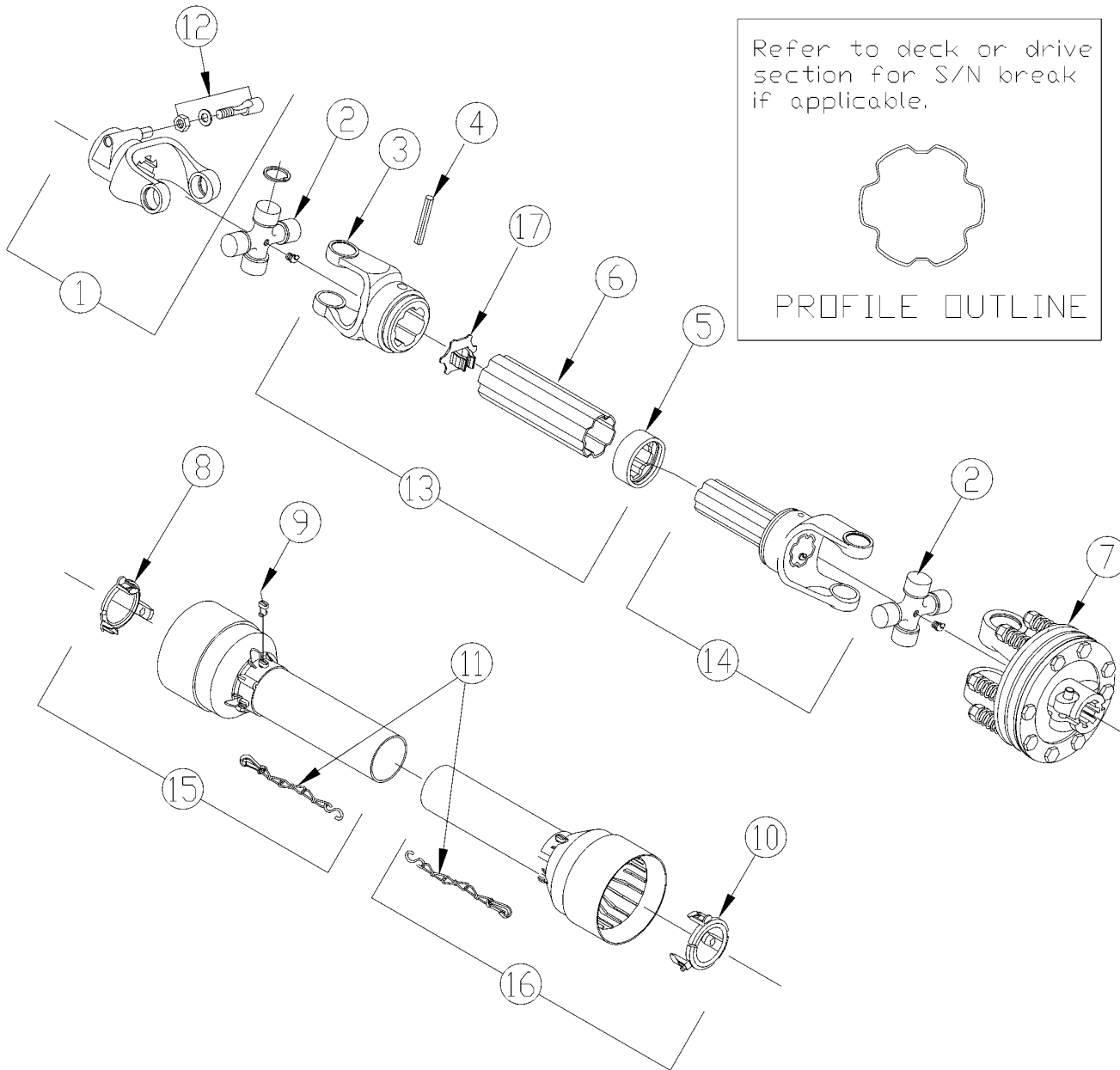
---

**Applies to RCM3620**

<b>Ref</b>	<b>Part No.</b>	<b>Part Description</b>	<b>Comments</b>	<b>Revision</b>
	Dwg 33879 396674	Drawing Image Number WS FRICTION CLUTCH *		
1.	N/A	WS FLANGE YOKE		
2.	168556	WS FRICTION DISK		
3.	391567	WS HUB 1 3/4-20 I.C.		
4.	391350	WS THRUST PLATE		
5.	391351	WS BELLEVILLE SPRING		
6.	020452	WS HEX BOLT M10X50		
7.	803-280C	NUT HEX NYLOCK M10X1.5 PLT		
8.	301.005	COSMO WING NUT M8		
9.	020467	WS HEX BOLT M12X65		

# Driveline Wing (826-494C) Comer

Applies to RCM3620

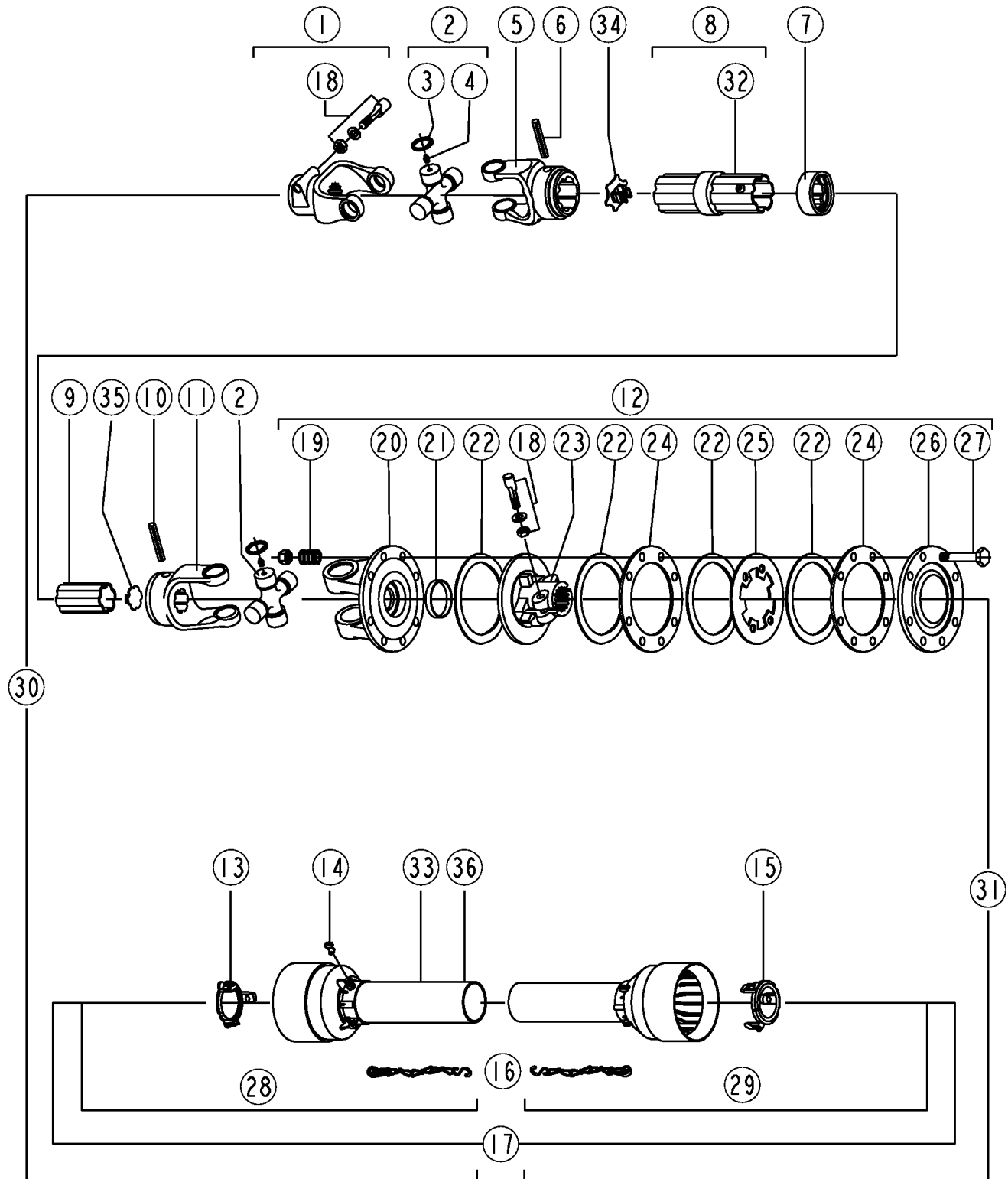


**Driveline Wing (826-494C) Comer****Applies to RCM3620**

<b>Ref</b>	<b>Part No.</b>	<b>Part Description</b>	<b>Comments</b>	<b>Revision</b>
	Dwg 23954	Drawing Image Number		
	826-494C	PTO V80 X 77.05 1280NM CLUTCH		
1.	141.028.195.1	COMER YOKE COMPLETE		
2.	180.018.004	COMER CROSS ASSEMBLY		
3.	151.018.241.1	COMER YOKE OUTER		
4.	190.000.243	COMER OUTER TUBE ROLL PIN		
5.	180.018.437	COMER WIPER		
6.	1522805477810	COMER TUBE, OUTER COMPLETE		
7.	146.284.020.1	COMER CLUTCH, DISC COMPLETE		
8.	180.018.251	COMER RETAINING COLLER INNER		
9.	180.014.240	COMER BOLT		
10.	180.018.252	COMER RETAINING COLLER INNER		
11.	180.016.025	COMER SAFTEY CHAINS	(S/N 928934-)	
12.	165.000.589	COMER TAPERED PIN SET 1 3/4		
13.	122.580.026.1	COMER TUBE W/YOKE/LUBE/FEMALE	Obsolete	
14.	122.580.512.1	COMER TUBE W/YOKE/LUBE/MALE		
15.	1422831989821	COMER HALF FEMALE GRD W/LABEL		
16.	1422871039821	COMER HALF MALE GUARDING		
17.	180.018.393	COMER CAP OUTER TUBE, PLASTIC		

# Driveline Wing (826-819C) Comer

Applies to RCM3620



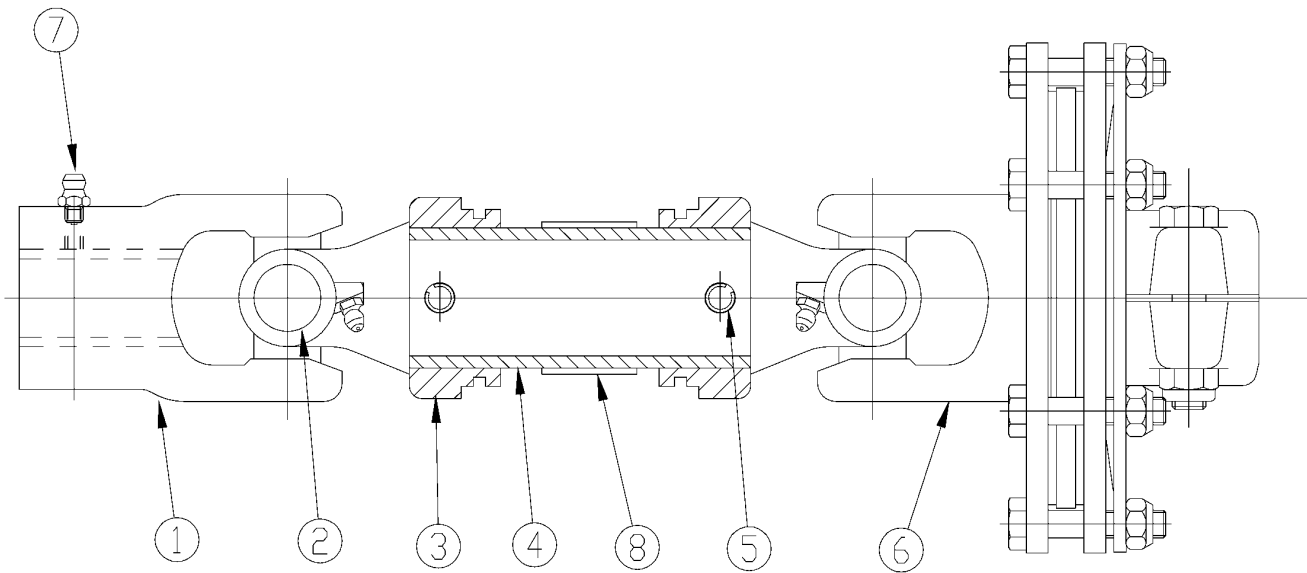
37507

**Driveline Wing (826-819C) Comer****Applies to RCM3620**

Ref	Part No.	Part Description	Comments	Revision
	Dwg 37507	Image No.		
	826-819C	PTO V80 X 77.05 1280NM CLUTCH *		
1.	141.028.195.1	COMER YOKE COMPLETE		
2.	180.018.581	CO CROSS JOURNAL SET		
3.	190.000.035	CO CIRCLIP		
4.	190.000.047	CO GREASE NIPPLE		
5.	151.018.241.1	COMER YOKE OUTER		
6.	190.000.243	COMER OUTER TUBE ROLL PIN		
7.	180.018.437	COMER WIPER		
8.	150.281.5257810	CO COMPLETE OUTER TUBE		
9.	159.280.207	CO INNER TUBE		
10.	190.000.271	COMER ROLL PIN FOR INNER TUBE		
11.	151.018.242.1	COMER INNER YOKE		
12.	146.284.020.1	COMER CLUTCH, DISC COMPLETE		
13.	180.018.251	COMER RETAINING COLLER INNER		
14.	180.014.240	COMER BOLT		
15.	180.018.252	COMER RETAINING COLLER INNER		
16.	180.016.790	CO SAFTEY CHAINS	(S/N 928934-)	
17.	142.286.2499821	CO COMPLETE GUARD W/MANUAL		
18.	165.000.589	COMER TAPERED PIN SET 1 3/4		
19.	180.014.022	COMER SPRING		
20.	151.018.016.1	COMER YOKE, FLANGED		
21.	180.019.019	COMER BUSH		
22.	180.019.018	RPBY 180.019.340		
23.	151.018.228.1	COMER CLUTCH SUPPORT		
24.	180.019.014	COMER INNER PLATE		
25.	180.019.115	COMER INTERMEDIATE PLATE		
26.	180.019.116.1	COMER PRESSURE PLATE		
27.	165.000.548	COMER BOLT WITH NUT M10X100		
28.	142.283.2489821	CO HALF FEMALE GUARD		
29.	142.287.2179821	CO HALF MALE GUARD		
30.	123.386.184.01	CO HALF FEMALE SHFT W/GUARDING		
31.	123.486.338.01	CO HALF MALE SHAFT W/GUARDING		
32.	190.000.098	COMER DANGER LABEL OUTER TUBE		
33.	190.000.099	COMER DANGER LABEL GUARD OUTER		
34.	180.018.393	COMER CAP OUTER TUBE, PLASTIC		
35.	180.018.435	COMER INNER CAP		
36.	190.000.920	CO LABEL W/CUSTOMER CODE		

**Driveline (826-715C)**

Applies to RC3620



33832

**Driveline (826-715C)**

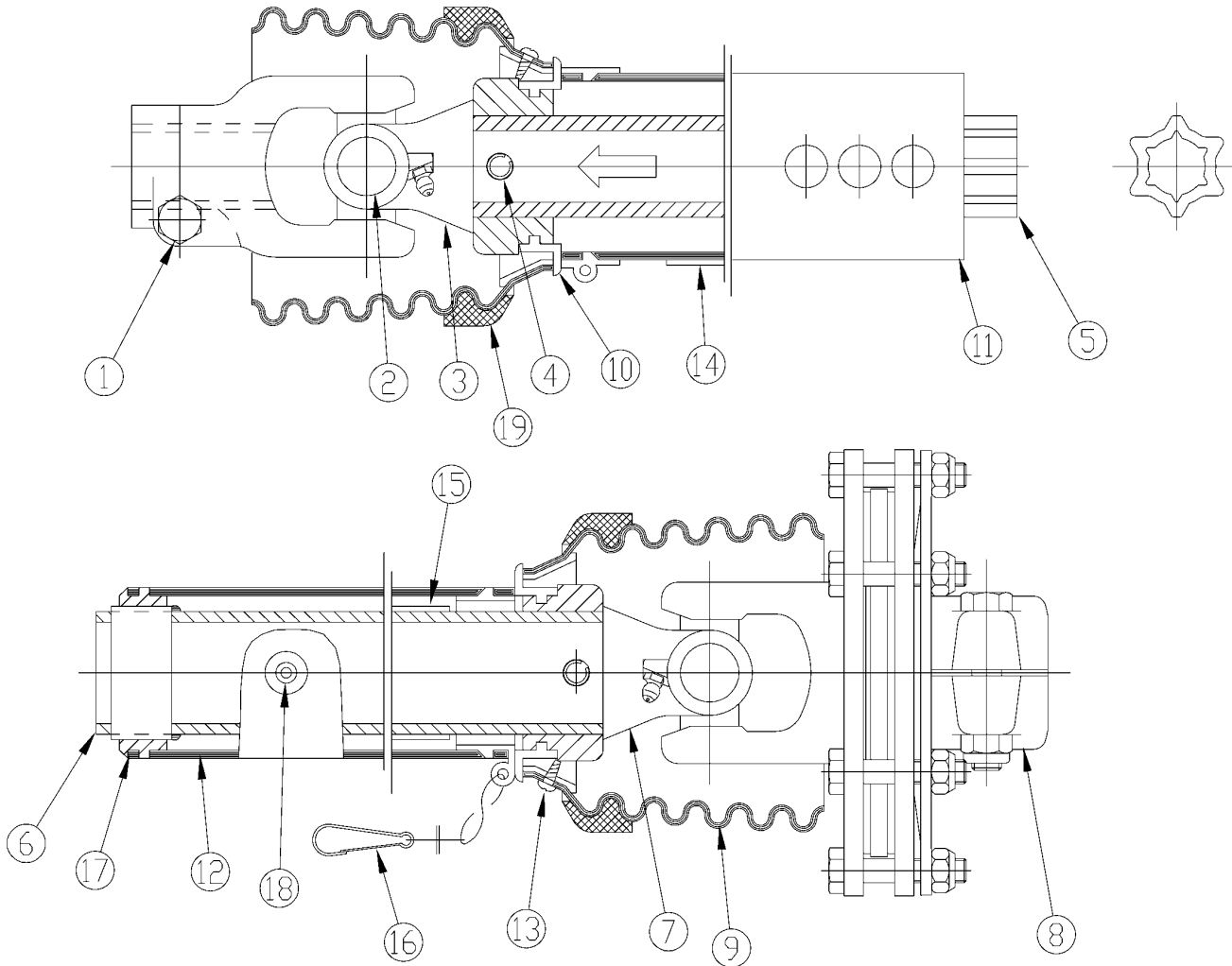
---

**Applies to RC3620**

<b>Ref</b>	<b>Part No.</b>	<b>Part Description</b>	<b>Comments</b>	<b>Revision</b>
	Dwg 33832 826-715C	Drawing Image Number DRVLN, INT CAT 4 W/CLUTCH *		
1.	396795	WS YOKE 1 3/4"-20 SPL		
2.	312410	WS CROSS BRG KIT		
3.	019519	WS INBOARD YOKE		
4.	399863	WS OUTER PROFILE 2A		
5.	020617	WS SPRING PIN 10 X 20		
6.	396674	WS FRICTION CLUTCH		
7.	304263	EC ZERK		
8.	818-540C	DECAL DANGER GUARD MISS PTO		

**Driveline (826-716C)**

Applies to RC3620



33833



**Driveline (826-716C)**

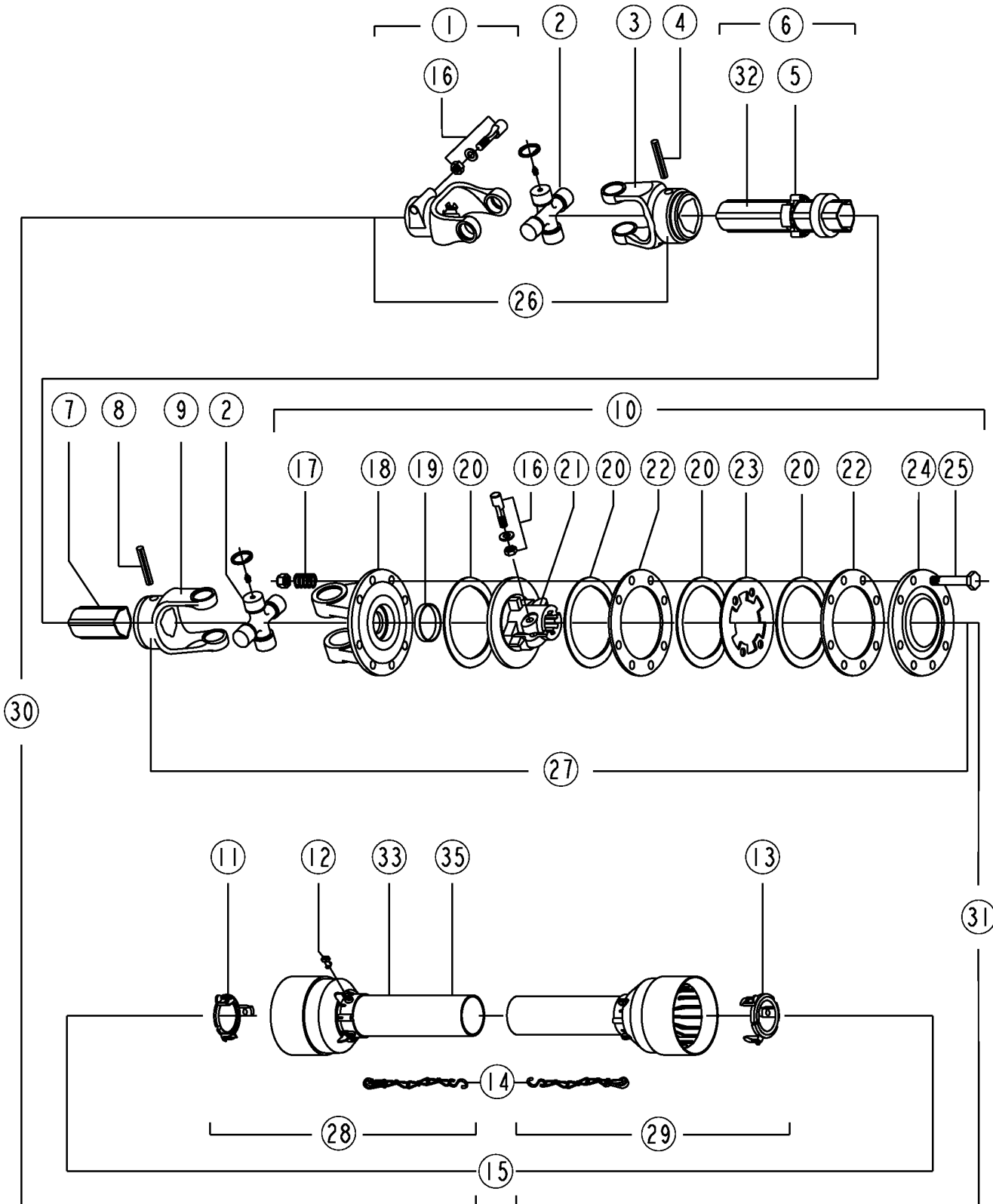
---

**Applies to RC3620**

<b>Ref</b>	<b>Part No.</b>	<b>Part Description</b>	<b>Comments</b>	<b>Revision</b>
	Dwg 33833 826-716C	Drawing Image Number DRVLN, WING CAT 4 W/CLUTCH *		
1.	331053	WS YOKE 1 3/4-20 SPL.I.C. 2500		
2.	312410	WS CROSS BRG KIT		
3.	356905	WS SHAFT YOKE		
4.	020617	WS SPRING PIN 10 X 20		
5.	191800	WS INNER PROFILE S4LGA		
6.	399943	WS PROFILE&SLEEVE WA-S5GL		
7.	356906	WS SHAFT YOKE		
8.	396674	WS FRICTION CLUTCH		
9.	377336	WS SHIELD CONE 6 RIB		
10.	087276	WS BRG RING - SC25		
11.	399944	WS GUARD TUBE OUTER		
12.	397991	WS GUARD TUBE INNER		
13.	365305	WS SCREW		
14.	818-552C	DECAL DANGER PTO DRIVELINE		
15.	818-540C	DECAL DANGER GUARD MISS PTO		
16.	044321	DRIVELINE SHIELD SAFETY CHAIN		
17.	355155	WS SUPPORT BRG		
18.	380371	WS ZERK		
19.	359471	WS REINFORCING COLLAR		

### Driveline (826-816C) Comer

Applies to RC3620



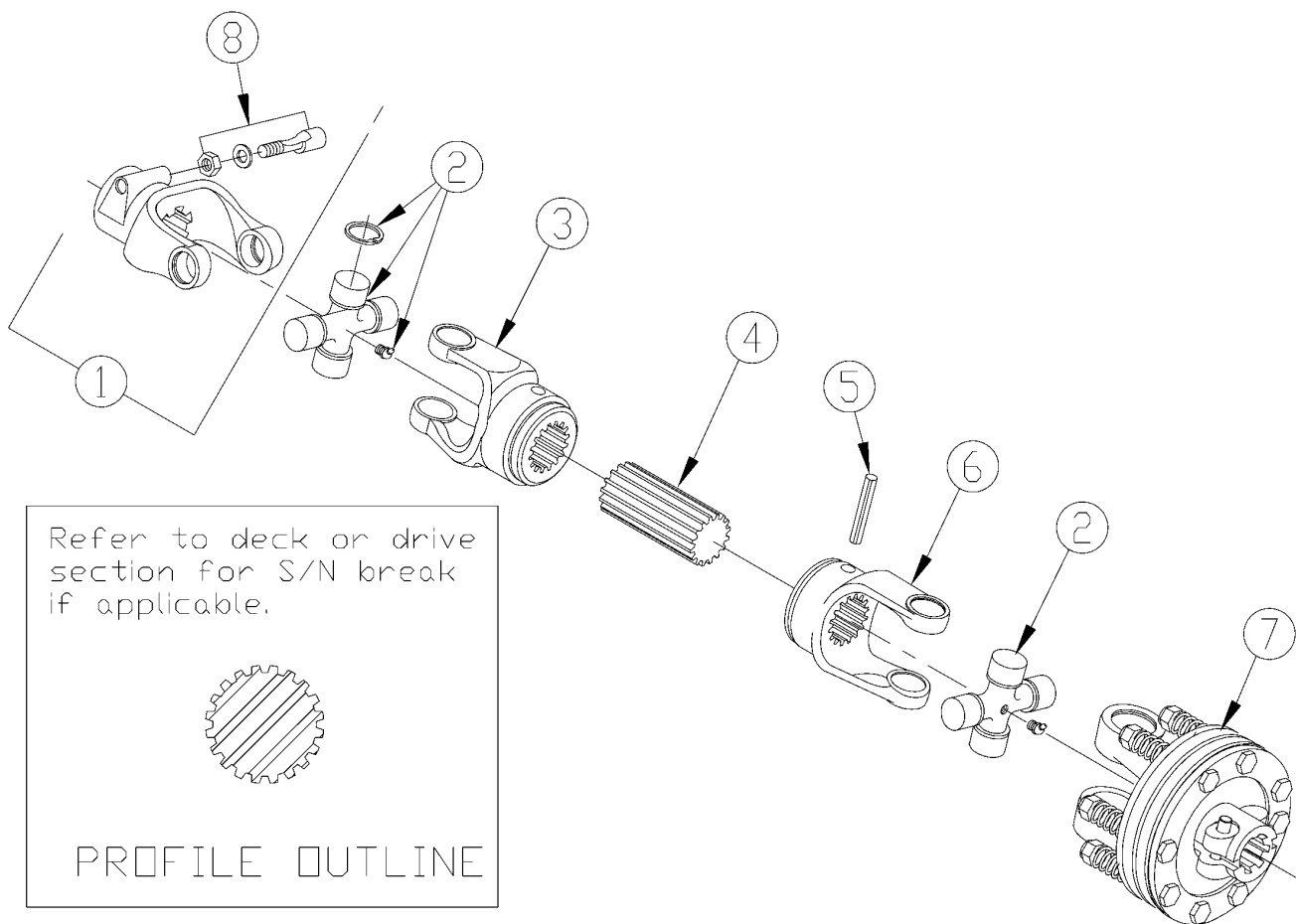
70893

**Driveline (826-816C) Comer****Applies to RC3620**

Ref	Part No.	Part Description	Comments	Revision
	Dwg 70893 826-816C	Image No. DRVLN C4 69 1.75-20 FX CLTCH *		
1.	141.026.357.1	COMER YOKE COMPLETE		
2.	180.016.898	CO CROSS JOURNAL SET		
3.	151.016.028.1	CO OUTER YOKE		
4.	190.000.018	CO ROLL PIN OUTER TUBE		
5.	180.016.316	CO BUSH WITH GREASE FITTING		
6.	152.170.3897810	CO COMPLETE OUTER TUBE		
7.	153.160.720	CO ROLL PIN FOR INNER TUBE		
8.	190.000.016	COMER ROLL PIN, INNER TUBE		
9.	151.016.029.1	CO INNER YOKE		
10.	146.264.082.1	CO COMPLETE DISC CLUTCH F49		
11.	180.016.237	CO GRD RETAIN CLLR FOR OTR TB		
12.	180.014.240	COMER BOLT		
13.	180.016.238	CO GRD RETAIN CLLR FOR INR TB		
14.	180.016.790	CO SAFTEY CHAINS		
15.	142.260.5207621	CO COMPLETE GUARD W/MANUAL		
16.	165.000.589	COMER TAPERED PIN SET 1 3/4		
17.	180.014.022	COMER SPRING		
18.	151.016.037.1	COMER YOKE, FLANGED		
19.	180.019.019	COMER BUSH		
20.	180.019.340	COMER LINING RING		
21.	151.018.228.1	COMER CLUTCH SUPPORT		
22.	180.019.014	COMER INNER PLATE		
23.	180.019.115	COMER INTERMEDIATE PLATE		
24.	180.019.116.1	COMER PRESSURE PLATE		
25.	165.000.548	COMER BOLT WITH NUT M10X100		
26.	121.026.1370.01	CO U-JOINT FOR OUTER TUBE		
27.	121.026.1369.01	CO U-JOINT FOR INNER TUBE		
28.	142.266.3027621	CO HALF FEMALE GAURDING		
29.	142.267.2707621	CO HALF MALE GUARD		
30.	123.360.505.01	CO HALF FEMALE SHFT W/GUARDING		
31.	123.460.1057.01	CO HALF MALE SHAFT W/GUARD		
32.	190.000.098	COMER DANGER LABEL OUTER TUBE		
33.	190.000.099	COMER DANGER LABEL GUARD OUTER		
34.	190.000.371	CO INSTRUCTION MANUAL	Not shown	
35.	190.000.919	CO LABEL W/CUSTOMER CODE		

# Driveline Center (826-495C) Comer

Applies to RC3620



**Driveline Center (826-495C) Comer**

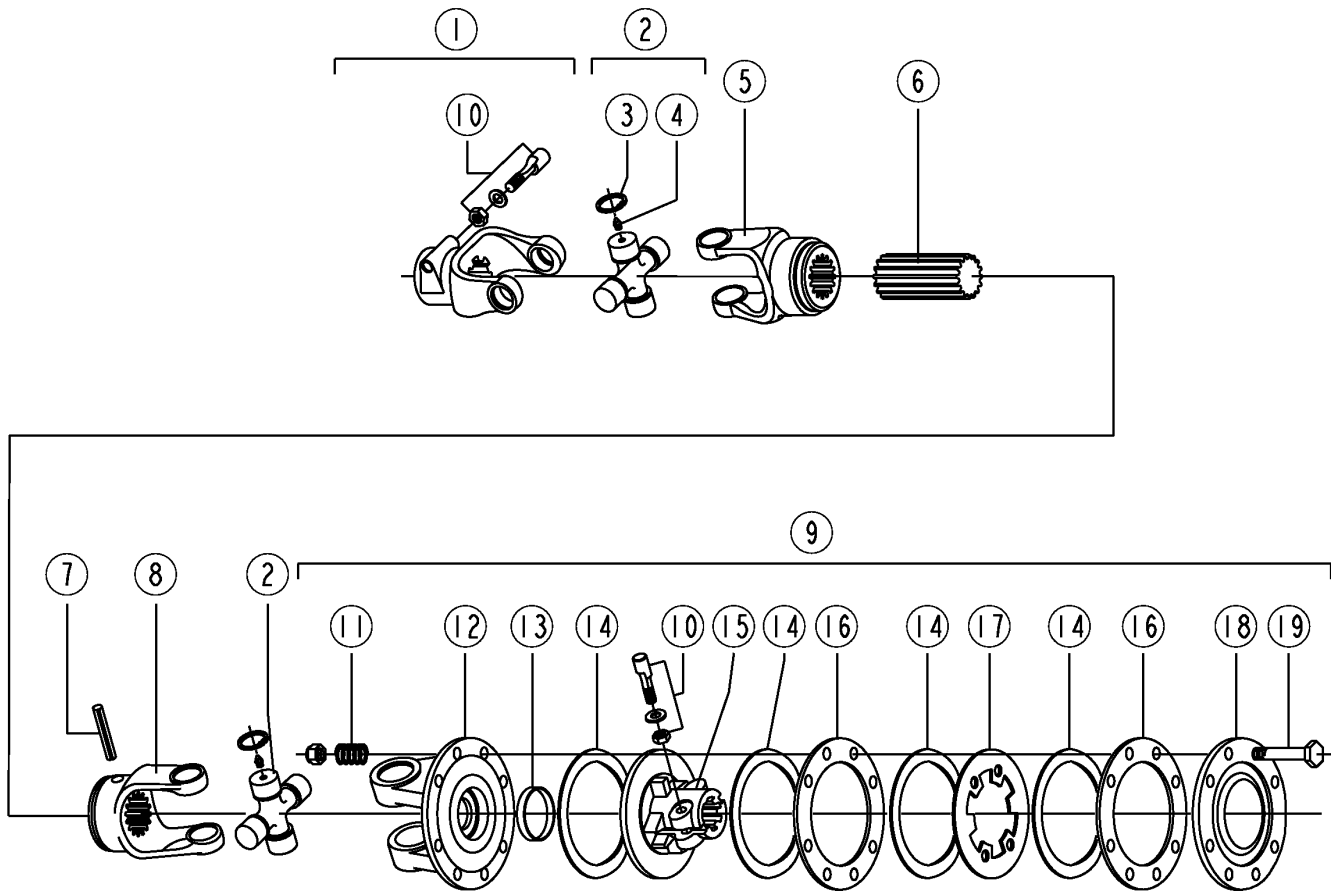
---

**Applies to RC3620**

<b>Ref</b>	<b>Part No.</b>	<b>Part Description</b>	<b>Comments</b>	<b>Revision</b>
	Dwg 23955	Drawing Image Number		
	826-495C	RPBY 826-820C		
1.	141.026.357.1	COMER YOKE COMPLETE		
2.	180.016.130	COMER CROSS ASSEMBLY		
3.	170.016.630.1	COMER YOKE, OUTER		
4.	155.150.726	COMER SHAFT, SPLINED		
5.	190.000.016	COMER ROLL PIN, INNER TUBE		
6.	151.016.031.1	COMER INNER YOKE		
7.	146.264.024.1	COMER CLUTCH, COMPLETE ASSY		
8.	165.000.589	COMER TAPERED PIN SET 1 3/4		

# Driveline Center (826-820C) Comer

Applies to RC3620



37508

**Driveline Center (826-820C) Comer**

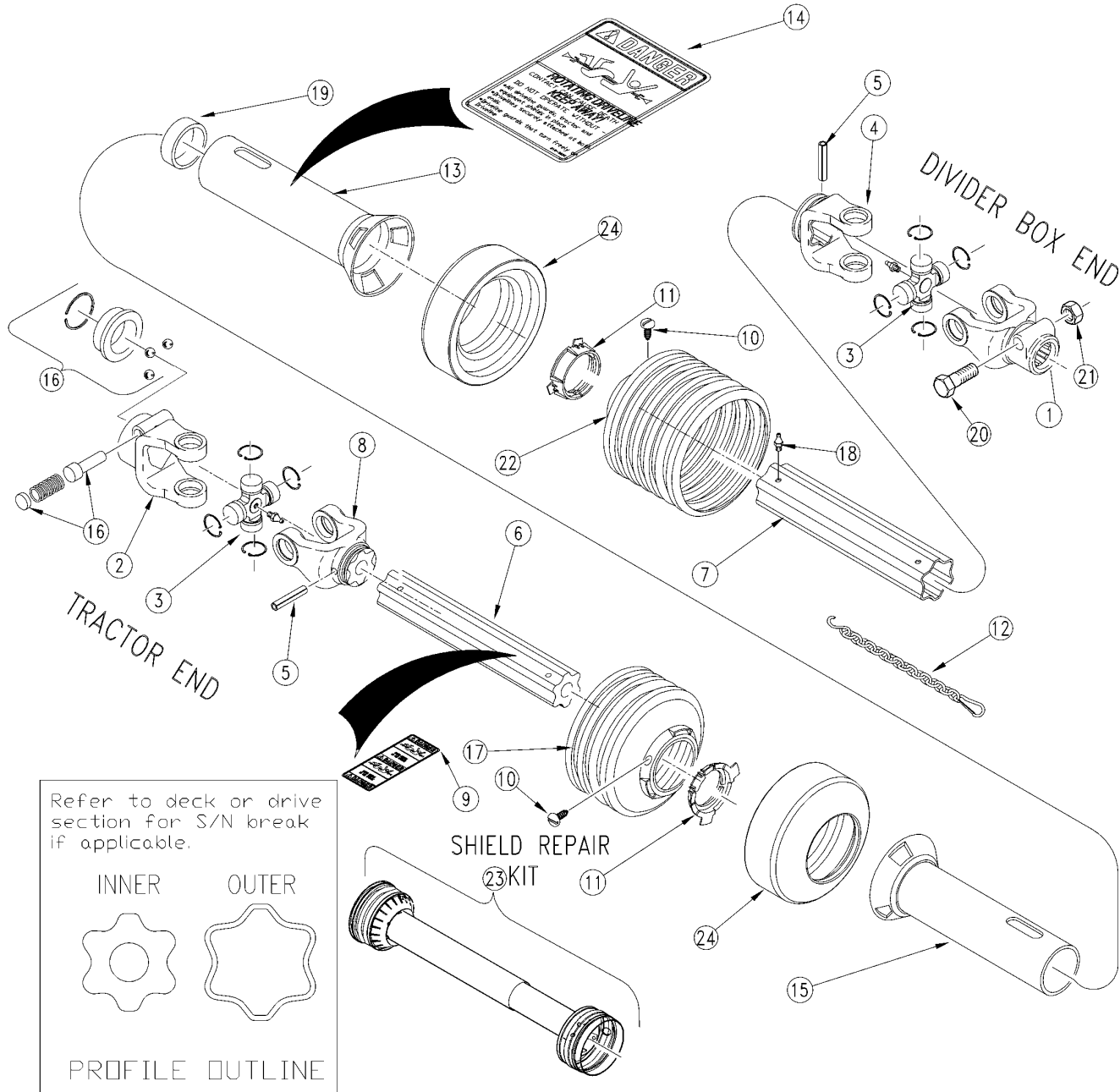
---

**Applies to RC3620**

<b>Ref</b>	<b>Part No.</b>	<b>Part Description</b>	<b>Comments</b>	<b>Revision</b>
	Dwg 37508	Image No.		
	826-820C	PTO E60 X 27.44 1280NM CLUTCH		
1.	141.026.357.1	COMER YOKE COMPLETE		
2.	180.016.780	CO CROSS JOURNAL SET		
3.	190.000.032	CO CIRCLIP		
4.	190.000.047	CO GREASE NIPPLE		
5.	170.016.630.1	COMER YOKE, OUTER		
6.	155.150.726	COMER SHAFT, SPLINED		
7.	190.000.016	COMER ROLL PIN, INNER TUBE		
8.	151.016.896.1	CO INNER YOKE		
9.	146.264.024.1	COMER CLUTCH, COMPLETE ASSY		
10.	165.000.589	COMER TAPERED PIN SET 1 3/4		
11.	180.014.022	COMER SPRING		
12.	151.016.037.1	COMER YOKE, FLANGED		
13.	180.019.019	COMER BUSH		
14.	180.019.340	COMER LINING RING		
15.	151.018.228.1	COMER CLUTCH SUPPORT		
16.	180.019.014	COMER INNER PLATE		
17.	180.019.115	COMER INTERMEDIATE PLATE		
18.	180.019.116.1	COMER PRESSURE PLATE		
19.	165.000.548	COMER BOLT WITH NUT M10X100		

# Driveline Conv. 540 RPM (826-112C) Walterscheid

Applies to RC3620



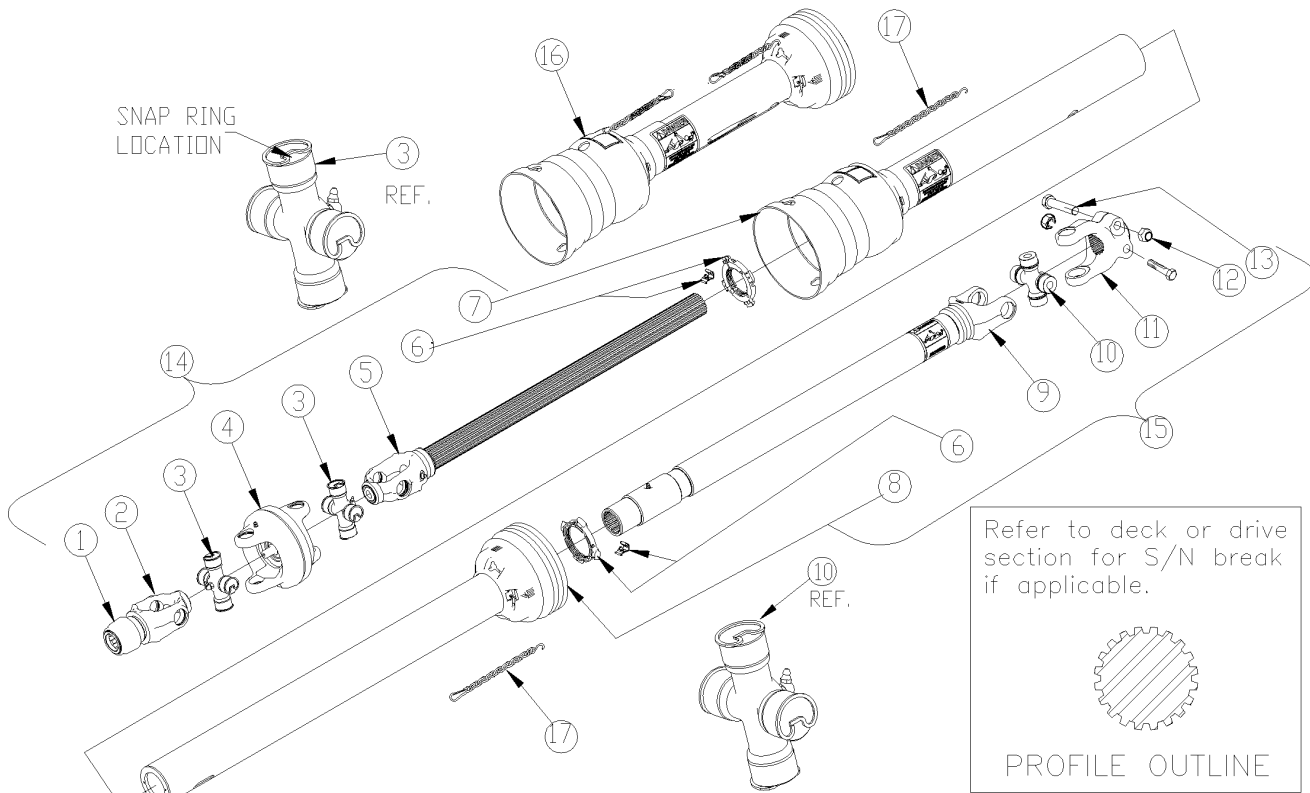


**Driveline Conv. 540 RPM (826-112C) Walterscheid****Applies to RC3620**

Ref	Part No.	Part Description	Comments	Revision
	Dwg 18548 826-112C	Drawing Image Number PTO 2500 X 39.76 NO CLUTCH *		
1.	325027	WS YOKE 1 3/4-20 SPL.I.C. 2500		
2.	362428	WS YOKE 1 3/8"-6 SPL. ASG		
3.	312209	WS CROSS & BEARING KIT 2500		
4.	097140	WS INBOARD YOKE 2500		
5.	304046	WS SPRING PIN 10 X 90		
6.	321256	WS INNER PROFILE 2400		
7.	390257	WS PROFILE & SLEEVE W.A.		
8.	097133	WS INBOARD YOKE 2400		
9.	818-540C	DECAL DANGER GUARD MISS PTO		
10.	365305	WALTERSCHEID SCREW		
11.	087276	WS BEARING RING - SC25		
12.	044321	WALTERSCHEID SAFETY CHAIN	(S/N 928934-)	
13.	389850	WS OUTER SHIELD TUBE RND.		
14.	818-552C	DECAL DANGER PTO DRIVELINE		
15.	388957	WS INNER SHIELD TUBE ROUND		
16.	364915	WS ASSY COLLAR KIT	S/N _____ +	
16.	339107	WS Q.D. PIN KIT	S/N _____ -	
17.	377437	WS SHIELD CONE 7 RIB		
18.	380371	WS ZERK		
19.	355155	WS SUPPORT BEARING		
20.	702352	WS HEX BOLT M16 X 90 GR 8.8		
21.	304011	WS LOCK NUT M16		
22.	377442	WS SHIELD CONE - 12 RIB		
23.	826-587C	SHIELD KIT, 826-112C		
24.	359474	WS REINFORCING COLLAR		

# Driveline CV 1.38 540 RPM (826-643C) Weasler

Applies to RC3620



30185

**Driveline CV 1.38 540 RPM (826-643C) Weasler**

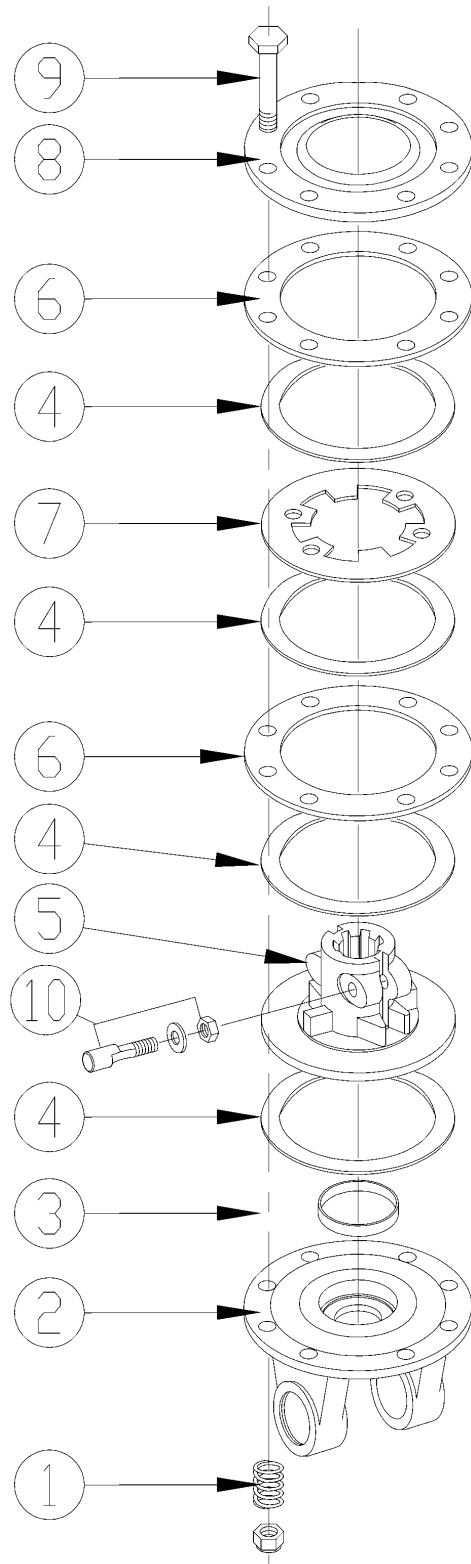
---

**Applies to RC3620**

<b>Ref</b>	<b>Part No.</b>	<b>Part Description</b>	<b>Comments</b>	<b>Revision</b>
	Dwg 30185 826-643C	Image No. DRVLN C6 42 1.38-6 CV *		
1.	26-15120	WE SSL/AUTO-LOK REPAIR KIT		
2.	68810-1004	WE WWCV AUTO-LOK YOKE ASM		
3.	03-15570	WE AB8/AW25EBL CROSS KIT		
4.	26-16033	WE WWCV CENTER HOUSING		
5.	99-24406	WE YOKE&SHAFT (1.69-20 SPLINE)		
6.	19-15135	WE GUARD REPAIR KIT W/ CHAINS		
7.	97-24406	WE OUTER GUARD		
8.	96-24406	WE INNER GUARD		
9.	98-24406	WE YOKE, TUBE & SLIP SLEEVE		
10.	03-15316	WE 55EBL CROSS KIT		
11.	55051-1817	WE YOKE		
12.	11-14988	WE LOCK NUT .625-11		
13.	11-15180	WE BOLT .625-11 X 3.00L GR8		
14.	93-24406	WE JOINT&SHFT HALF ASM W/GUARD		
15.	92-24406	WE JOINT&TUBE HALF ASM W/GUARD		
16.	90-24406	WE GUARD SET		
17.	11-80005	WE CHAIN	(S/N 928934-)	

# Driveline Slip Clutch (146.264.024.1) Comer

Applies to RC3620



23957

**Driveline Slip Clutch (146.264.024.1) Comer**

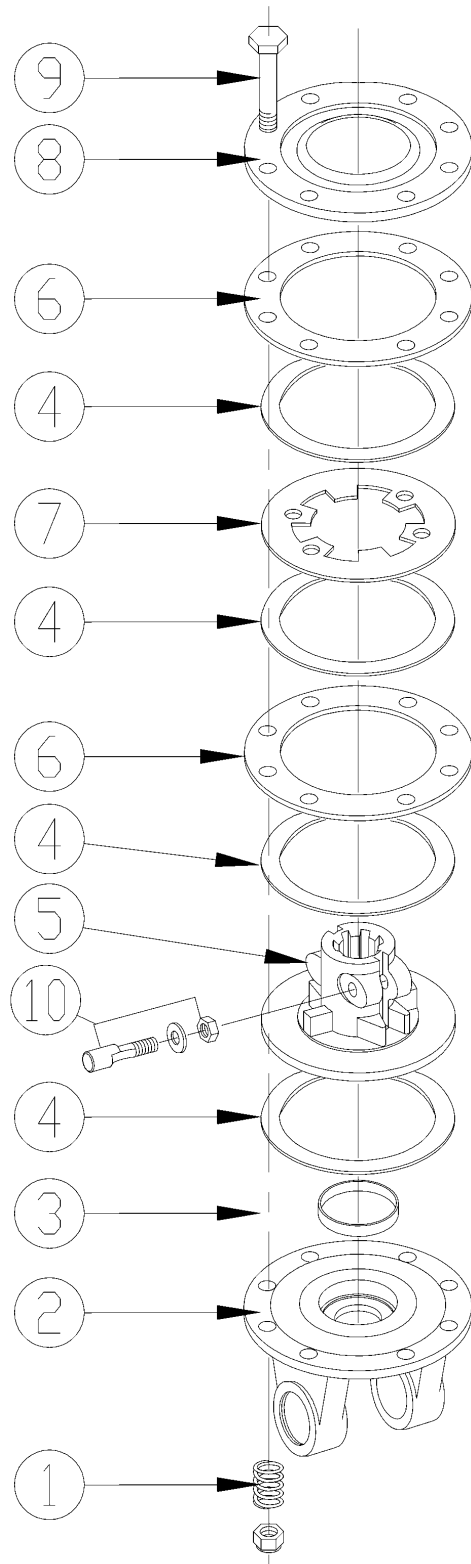
---

**Applies to RC3620**

<b>Ref</b>	<b>Part No.</b>	<b>Part Description</b>	<b>Comments</b>	<b>Revision</b>
	Dwg 23957	Drawing Image Number		
	146.264.024.1	COMER CLUTCH, COMPLETE ASSY *		
1.	180.014.022	COMER SPRING		
2.	151.016.037.1	COMER YOKE, FLANGED		
3.	180.019.019	COMER BUSH		
4.	180.019.018	COMER LINING RING		
5.	151.018.228.1	COMER CLUTCH SUPPORT		
6.	180.019.014	COMER INNER PLATE		
7.	180.019.115	COMER INTERMEDIATE PLATE		
8.	180.019.116.1	COMER PRESSURE PLATE		
9.	165.000.548	COMER BOLT WITH NUT M10X100		
10.	165.000.589	COMER TAPERED PIN SET 1 3/4		

# Driveline Slip Clutch (146.284.020.1) Comer

Applies to RC3620



23958

**Driveline Slip Clutch (146.284.020.1) Comer**

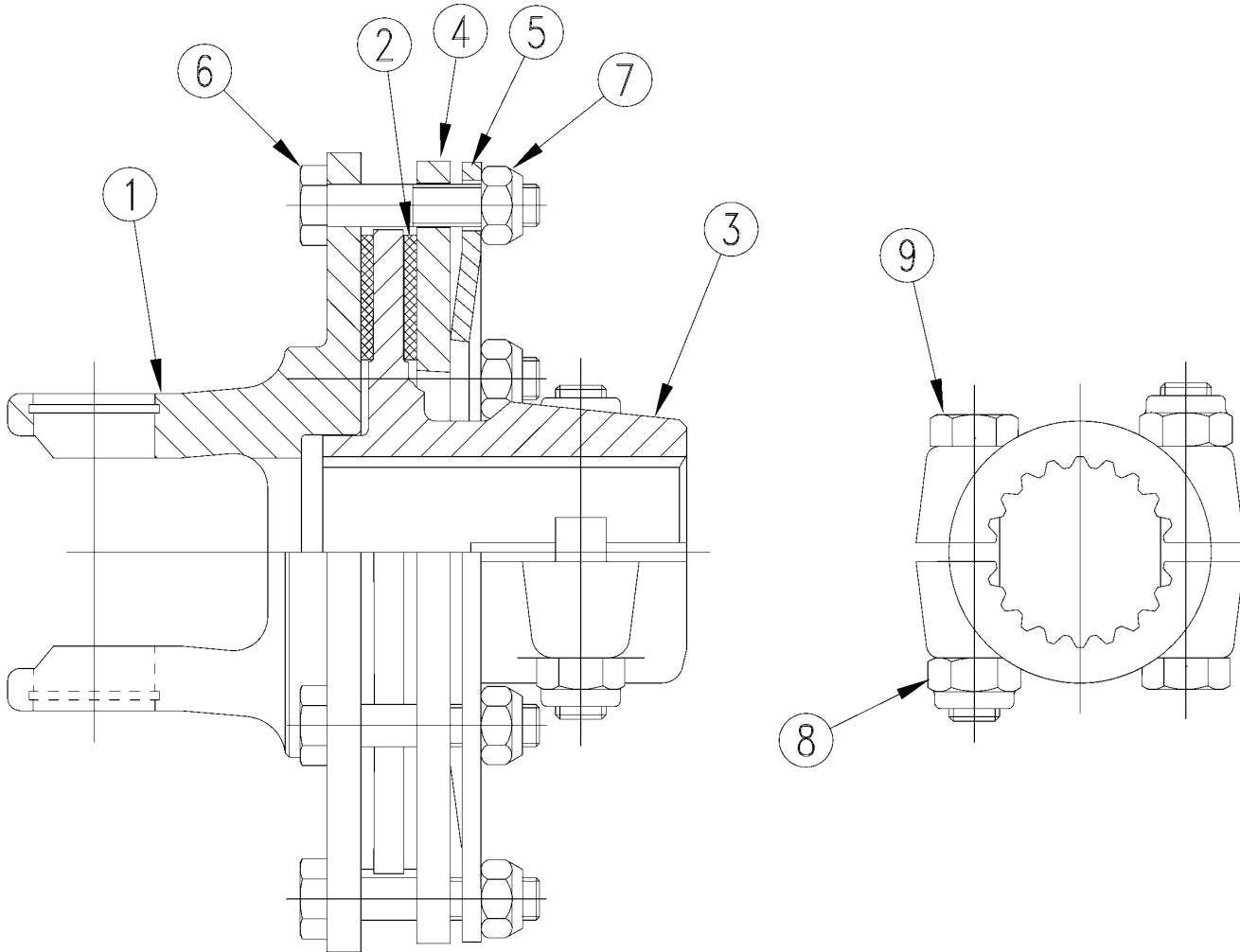
---

**Applies to RC3620**

<b>Ref</b>	<b>Part No.</b>	<b>Part Description</b>	<b>Comments</b>	<b>Revision</b>
	dwg23958	Drawing Image Number		
	146.284.020.1	COMER CLUTCH, DISC COMPLETE *		
1.	180.014.022	COMER SPRING		
2.	151.018.016.1	COMER YOKE, FLANGED		
3.	180.019.019	COMER BUSH		
4.	180.019.018	COMER LINING RING		
5.	151.018.228.1	COMER CLUTCH SUPPORT		
6.	180.019.014	COMER INNER PLATE		
7.	180.019.115	COMER INTERMEDIATE PLATE		
8.	180.019.116.1	COMER PRESSURE PLATE		
9.	165.000.548	COMER BOLT WITH NUT M10X100		
10.	165.000.589	COMER TAPERED PIN SET 1 3/4		

# Driveline Slip Clutch (396674) Walterscheid

Applies to RC3620



33879



**Driveline Slip Clutch (396674) Waltersheid**

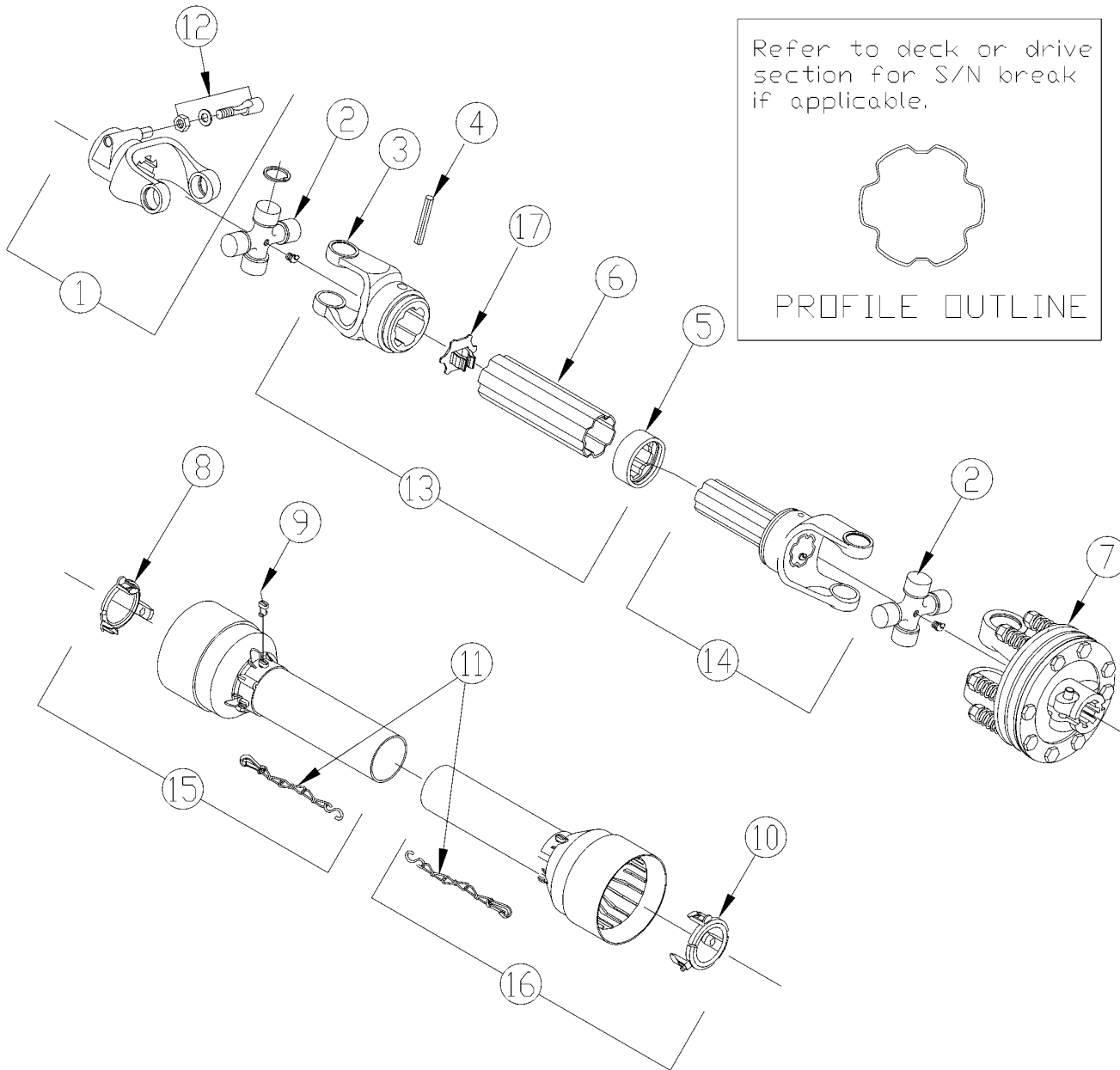
---

**Applies to RC3620**

<b>Ref</b>	<b>Part No.</b>	<b>Part Description</b>	<b>Comments</b>	<b>Revision</b>
	Dwg 33879 396674	Drawing Image Number WS FRICTION CLUTCH *		
1.	N/A	WS FLANGE YOKE		
2.	168556	WS FRICTION DISK		
3.	391567	WS HUB 1 3/4-20 I.C.		
4.	391350	WS THRUST PLATE		
5.	391351	WS BELLEVILLE SPRING		
6.	020452	WS HEX BOLT M10X50		
7.	803-280C	NUT HEX NYLOCK M10X1.5 PLT		
8.	301.005	COSMO WING NUT M8		
9.	020467	WS HEX BOLT M12X65		

# Driveline Wing (826-494C) Comer

Applies to RC3620

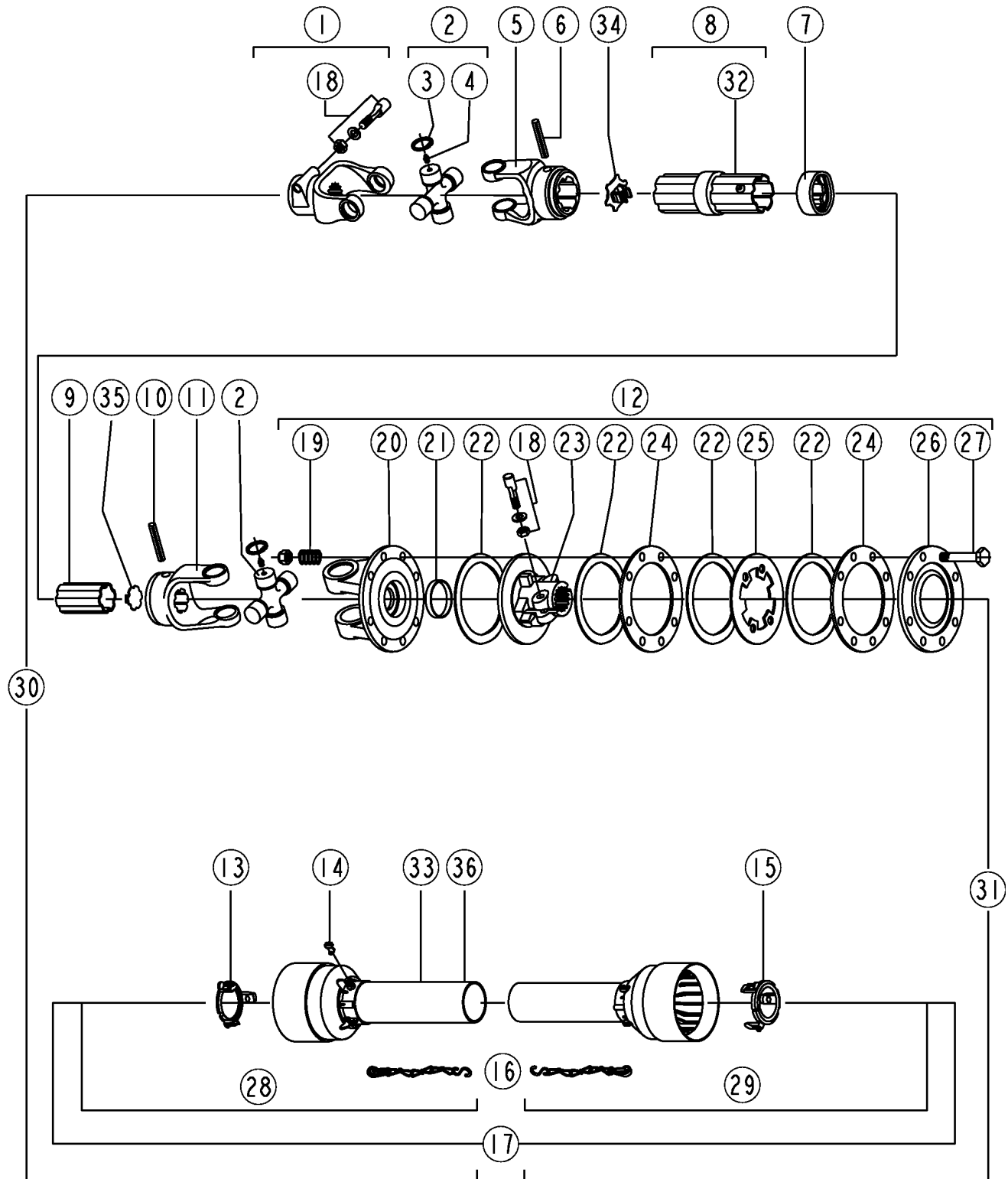


**Driveline Wing (826-494C) Comer****Applies to RC3620**

<b>Ref</b>	<b>Part No.</b>	<b>Part Description</b>	<b>Comments</b>	<b>Revision</b>
	Dwg 23954	Drawing Image Number		
	826-494C	PTO V80 X 77.05 1280NM CLUTCH		
1.	141.028.195.1	COMER YOKE COMPLETE		
2.	180.018.004	COMER CROSS ASSEMBLY		
3.	151.018.241.1	COMER YOKE OUTER		
4.	190.000.243	COMER OUTER TUBE ROLL PIN		
5.	180.018.437	COMER WIPER		
6.	1522805477810	COMER TUBE, OUTER COMPLETE		
7.	146.284.020.1	COMER CLUTCH, DISC COMPLETE		
8.	180.018.251	COMER RETAINING COLLER INNER		
9.	180.014.240	COMER BOLT		
10.	180.018.252	COMER RETAINING COLLER INNER		
11.	180.016.025	COMER SAFTEY CHAINS	(S/N 928934-)	
12.	165.000.589	COMER TAPERED PIN SET 1 3/4		
13.	122.580.026.1	COMER TUBE W/YOKE/LUBE/FEMALE	Obsolete	
14.	122.580.512.1	COMER TUBE W/YOKE/LUBE/MALE		
15.	1422831989821	COMER HALF FEMALE GRD W/LABEL		
16.	1422871039821	COMER HALF MALE GUARDING		
17.	180.018.393	COMER CAP OUTER TUBE, PLASTIC		

# Driveline Wing (826-819C) Comer

Applies to RC3620



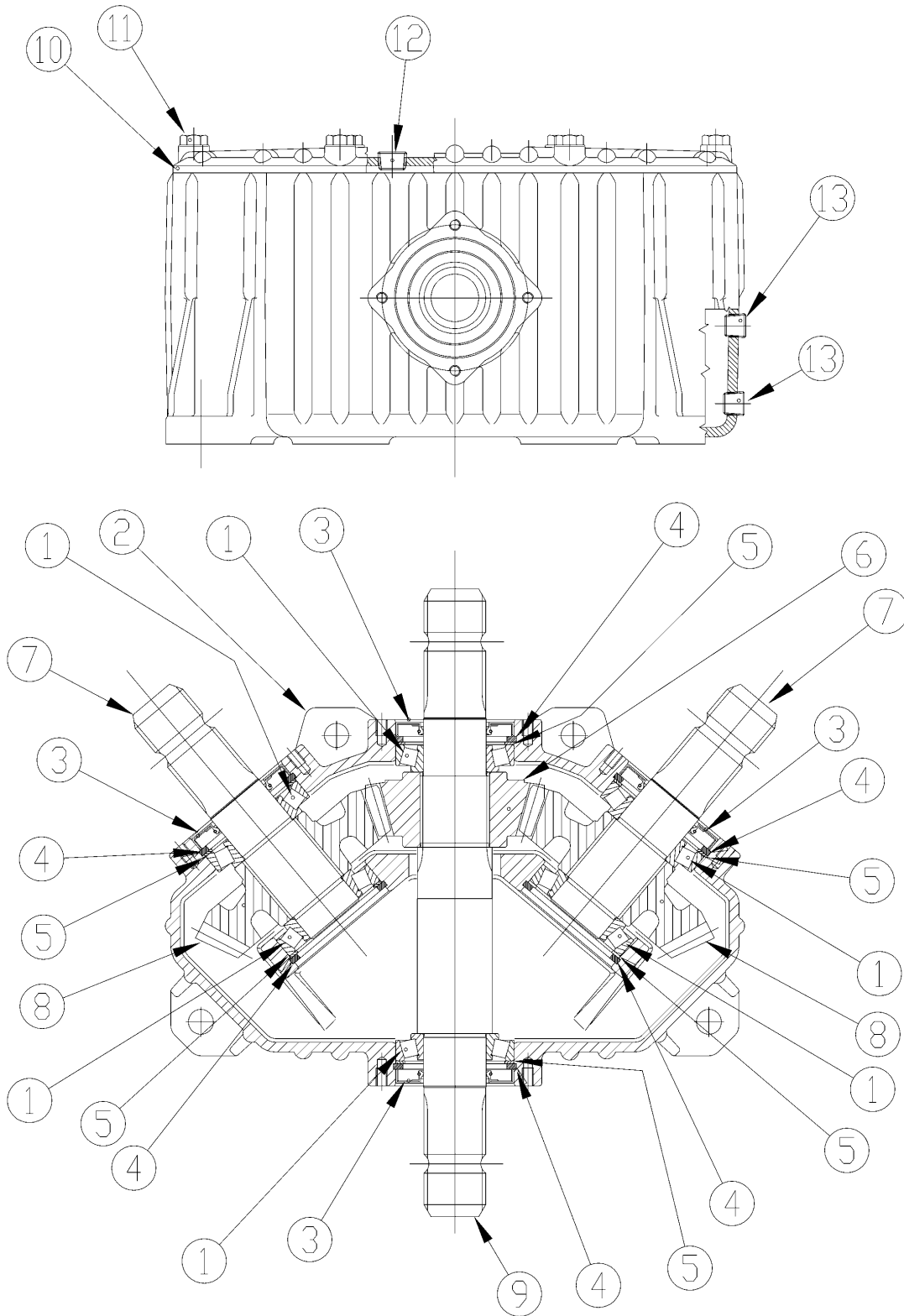
37507

**Driveline Wing (826-819C) Comer****Applies to RC3620**

Ref	Part No.	Part Description	Comments	Revision
	Dwg 37507	Image No.		
	826-819C	PTO V80 X 77.05 1280NM CLUTCH *		
1.	141.028.195.1	COMER YOKE COMPLETE		
2.	180.018.581	CO CROSS JOURNAL SET		
3.	190.000.035	CO CIRCLIP		
4.	190.000.047	CO GREASE NIPPLE		
5.	151.018.241.1	COMER YOKE OUTER		
6.	190.000.243	COMER OUTER TUBE ROLL PIN		
7.	180.018.437	COMER WIPER		
8.	150.281.5257810	CO COMPLETE OUTER TUBE		
9.	159.280.207	CO INNER TUBE		
10.	190.000.271	COMER ROLL PIN FOR INNER TUBE		
11.	151.018.242.1	COMER INNER YOKE		
12.	146.284.020.1	COMER CLUTCH, DISC COMPLETE		
13.	180.018.251	COMER RETAINING COLLER INNER		
14.	180.014.240	COMER BOLT		
15.	180.018.252	COMER RETAINING COLLER INNER		
16.	180.016.790	CO SAFTEY CHAINS	(S/N 928934-)	
17.	142.286.2499821	CO COMPLETE GUARD W/MANUAL		
18.	165.000.589	COMER TAPERED PIN SET 1 3/4		
19.	180.014.022	COMER SPRING		
20.	151.018.016.1	COMER YOKE, FLANGED		
21.	180.019.019	COMER BUSH		
22.	180.019.018	RPBY 180.019.340		
23.	151.018.228.1	COMER CLUTCH SUPPORT		
24.	180.019.014	COMER INNER PLATE		
25.	180.019.115	COMER INTERMEDIATE PLATE		
26.	180.019.116.1	COMER PRESSURE PLATE		
27.	165.000.548	COMER BOLT WITH NUT M10X100		
28.	142.283.2489821	CO HALF FEMALE GUARD		
29.	142.287.2179821	CO HALF MALE GUARD		
30.	123.386.184.01	CO HALF FEMALE SHFT W/GUARDING		
31.	123.486.338.01	CO HALF MALE SHAFT W/GUARDING		
32.	190.000.098	COMER DANGER LABEL OUTER TUBE		
33.	190.000.099	COMER DANGER LABEL GUARD OUTER		
34.	180.018.393	COMER CAP OUTER TUBE, PLASTIC		
35.	180.018.435	COMER INNER CAP		
36.	190.000.920	CO LABEL W/CUSTOMER CODE		

**Divider Box 1000 RPM 1.35:1 (826-709C)**

Applies to RCM3620



33807

**Divider Box 1000 RPM 1.35:1 (826-709C)**

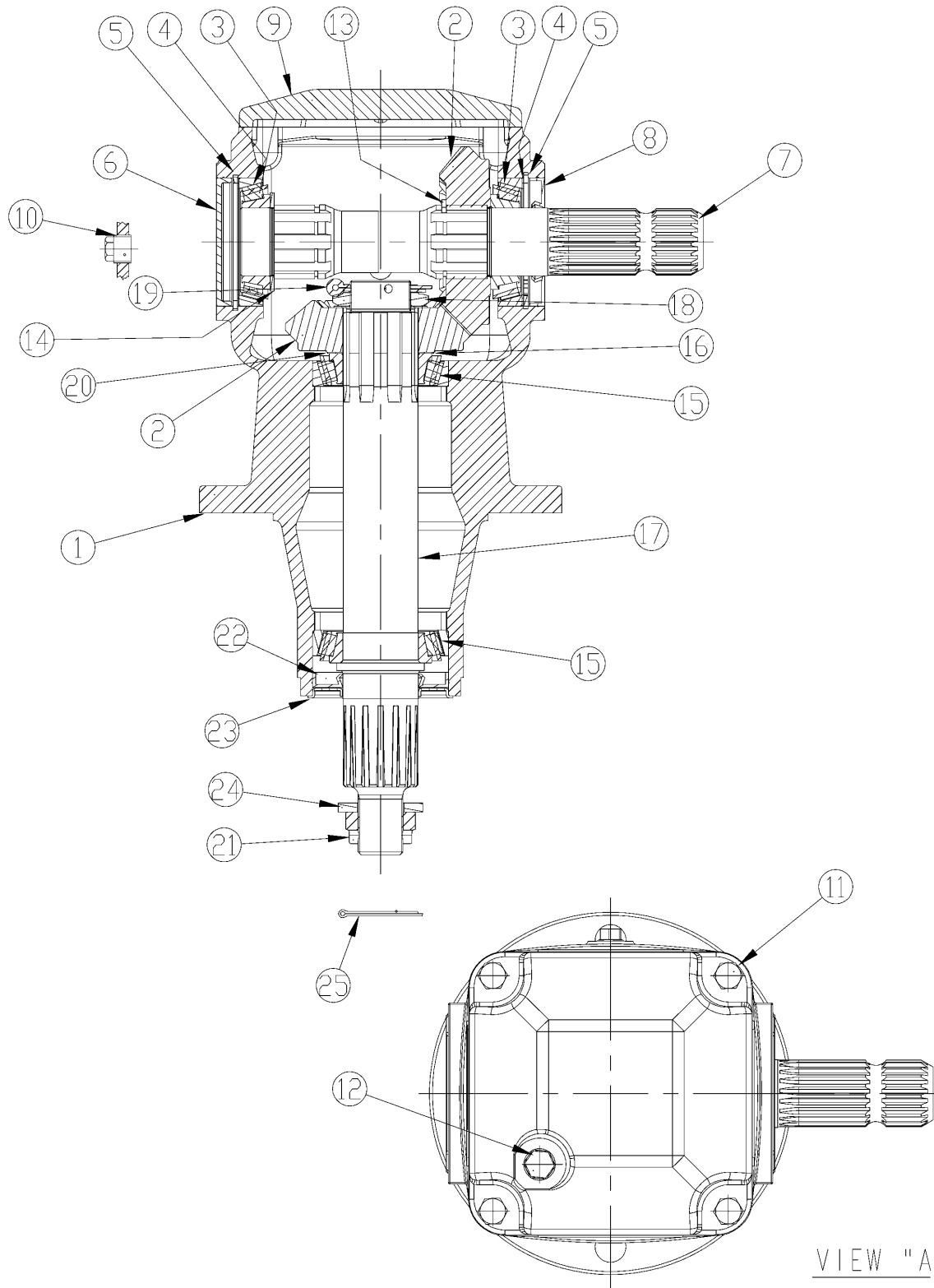
---

**Applies to RCM3620**

<b>Ref</b>	<b>Part No.</b>	<b>Part Description</b>	<b>Comments</b>	<b>Revision</b>
	Dwg 33807 826-709C	Drawing Image Number DIV BOX 1000RPM 1.35:1 *		
1.	8.0.9.00143	CO BRG 30209 TAPPED		
2.	0.305.0300.01	CO CASING		
3.	8.7.1.02348	CO DUST LIP (45X85X10)		
4.	8.5.2.01772	CO SNAP RING		
5.	A.709.500	COMER SHIM KIT		
6.	0.305.5006.00	CO GEAR M6 Z20		
7.	0.305.3000.00	CO SHAFT 1" 3/4 Z20		
8.	0.305.6003.00	CO GEAR M6 Z27		
9.	0.305.2000.00	CO SHAFT 1" 3/4 Z20		
10.	0.305.1300.00	TOP COVER PLATE		
11.	8.1.1.00109	CO BOLT M10 X 35 8.8		
12.	8.6.6.00088	CO 1/2" GAS OIL PLUG W/EMB HEX		
13.	8.6.6.00201	CO PLUG 3/8 GAS (SOLID PLUG)		

# Gearbox (826-712C)

Applies to RCM3620



33809

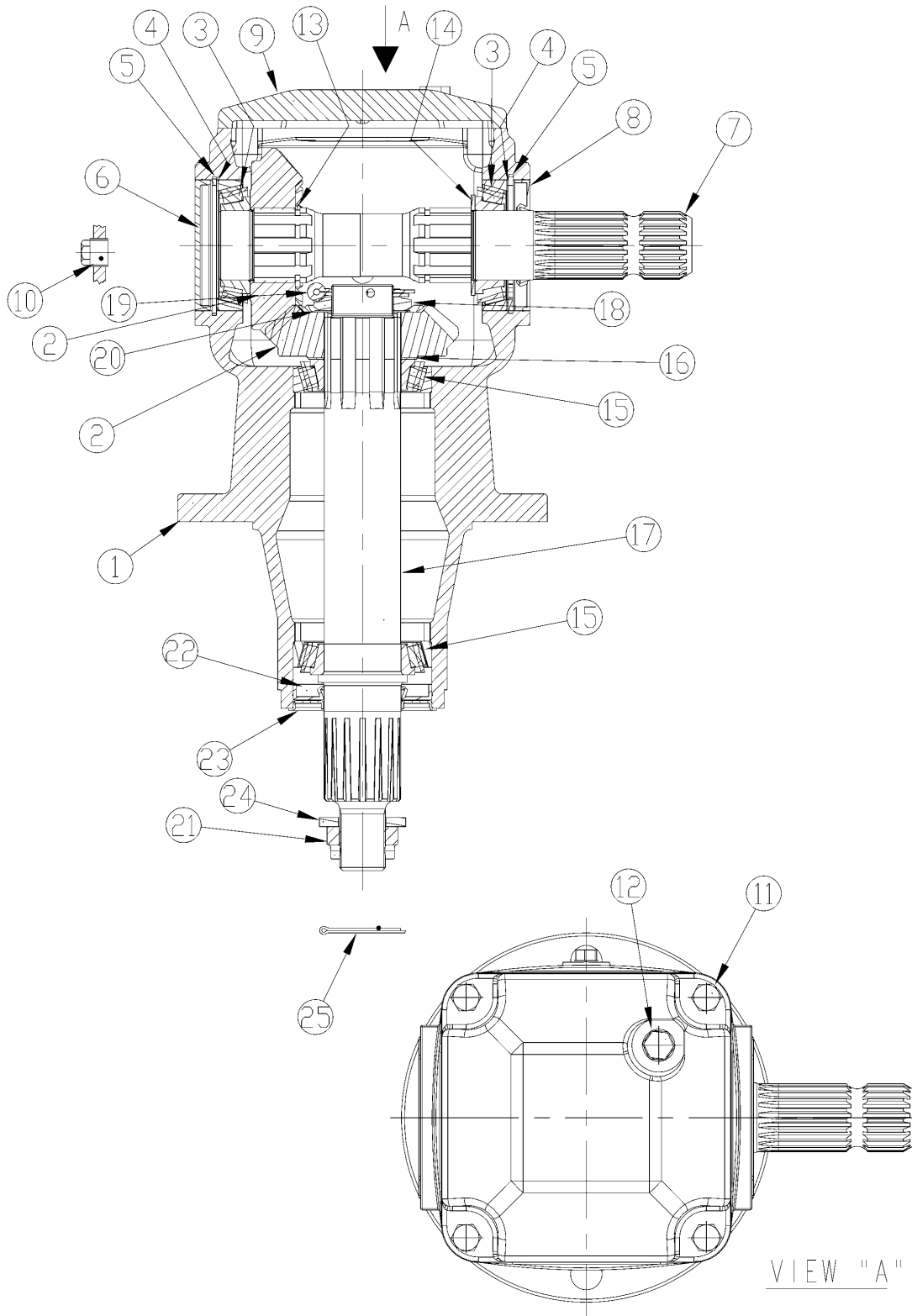


**Gearbox (826-712C)****Applies to RCM3620**

Ref	Part No.	Part Description	Comments	Revision
	Dwg 33809 826-712C	Drawing Image Number GBOX LF227 1:1 STD *		
1.	0.227.0301.00	CO CASTING & MACHINING		
2.	0.227.6000.00	CO CROWN Z17 M7.5		
3.	8.0.9.00143	CO BRG 30209 TAPPERED		
4.	A.709.500	COMER SHIM KIT		
5.	8.5.2.00332	CO SNAP RING UNI 7437		
6.	0.121.7101.00	CO CAP		
7.	0.227.2001.00	CO INPUT SHAFT 1 3/4" Z20		
8.	8.7.1.02348	CO DUST LIP (45X85X10)		
9.	0.227.1301.00	CO COVER		
10.	8.6.5.00006	CO OIL PLUG 3/8		
11.	8.1.1.00054	CO BOLT M10X20 8.8		
12.	8.6.5.00203	CO PLUG 1/2" GAS		
13.	8.5.1.01084	CO SNAP RING (50X47X3)		
14.	0.252.7525.00	CO SHIM 45.3X2.5		
15.	04-011	ITG BRG ASSEMBLY		
16.	A.712.500	COMER SHIM KIT		
17.	0.227.3002.00	CO OUTPUT SHAFT		
18.	0.132.7107.00	CO NUT M40X1.5		
19.	8.4.7.02265	CO COTTER PIN B 5X60		
20.	0.285.7510.00	CO SHIM 40.3 X 61.7 X 1		
21.	8.2.2.00555	CO NUT, CASTLE M30 X 2		
22.	8.7.1.01107	CO SEAL (50x90x10)		
23.	0.139.7100.00	CO SEAL RETAINER		
24.	0.139.7101.00	CO BLANK WASHER		
25.	8.4.7.00146	CO COTTER PIN B6 X 60		

# Gearbox (826-713C)

Applies to RCM3620



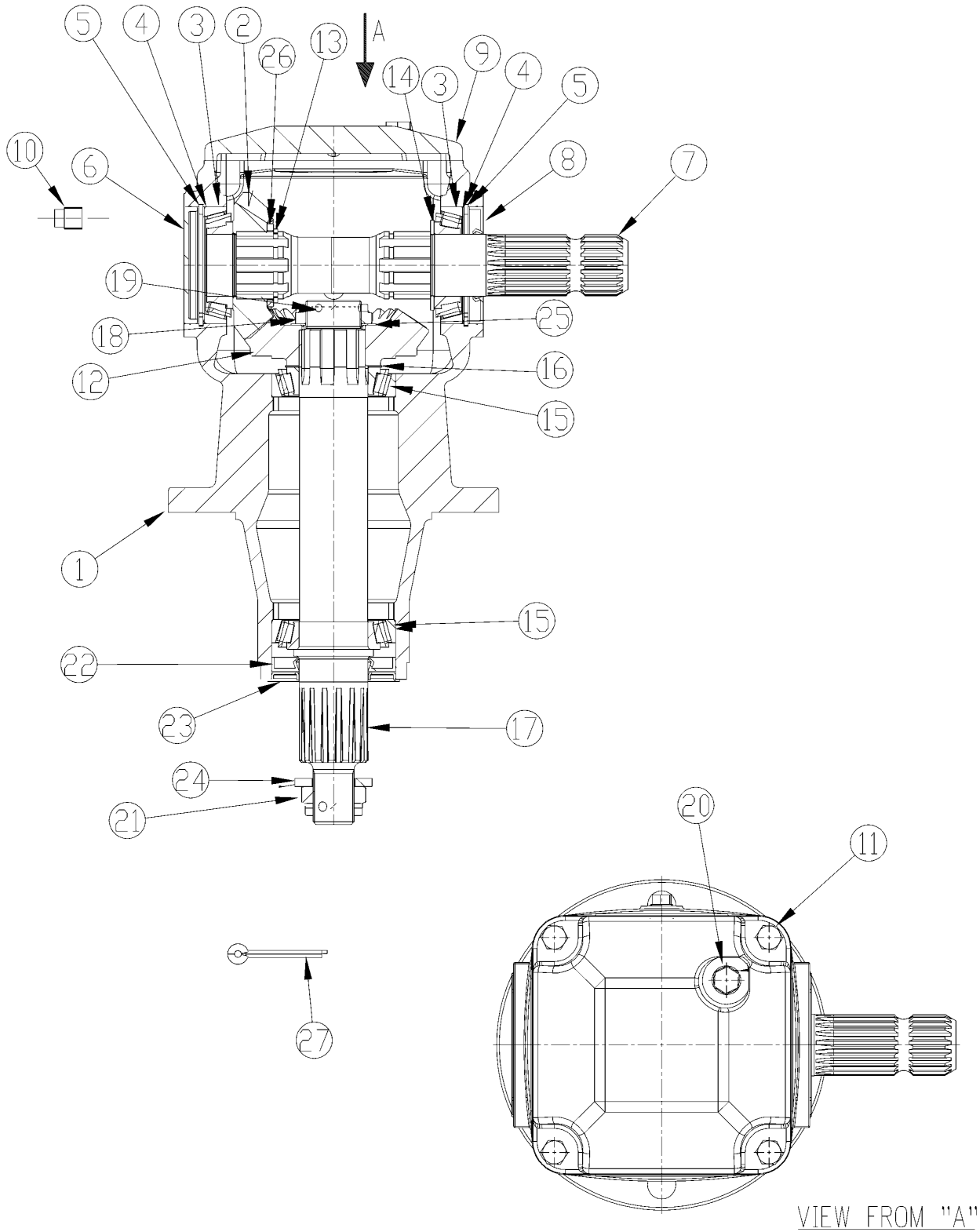
33811

**Gearbox (826-713C)****Applies to RCM3620**

Ref	Part No.	Part Description	Comments	Revision
	Dwg 33811 826-713C	Drawing Image Number GBOX LF227 1:1 REV *		
1.	0.227.0301.00	CO CASTING & MACHINING		
2.	0.227.6000.00	CO CROWN Z17 M7.5		
3.	8.0.9.00143	CO BRG 30209 TAPPERED		
4.	A.709.500	COMER SHIM KIT		
5.	8.5.2.00332	CO SNAP RING UNI 7437		
6.	0.121.7101.00	CO CAP		
7.	0.227.2001.00	CO INPUT SHAFT 1 3/4" Z20		
8.	8.7.1.02348	CO DUST LIP (45X85X10)		
9.	0.227.1301.00	CO COVER		
10.	8.6.5.00006	CO OIL PLUG 3/8		
11.	8.1.1.00054	CO BOLT M10X20 8.8		
12.	8.6.5.00203	CO PLUG 1/2" GAS		
13.	8.5.1.01084	CO SNAP RING (50X47X3)		
14.	0.252.7525.00	CO SHIM 45.3X2.5		
15.	04-011	ITG BRG ASSEMBLY		
16.	A.712.500	COMER SHIM KIT		
17.	0.227.3002.00	CO OUTPUT SHAFT		
18.	0.132.7107.00	CO NUT M40X1.5		
19.	8.4.7.02265	CO COTTER PIN B 5X60		
20.	0.285.7510.00	CO SHIM 40.3 X 61.7 X 1		
21.	8.2.2.00555	CO NUT, CASTLE M30 X 2		
22.	8.7.1.01107	CO SEAL (50x90x10)		
23.	0.139.7100.00	CO SEAL RETAINER		
24.	0.139.7101.00	CO BLANK WASHER		
25.	8.4.7.00146	CO COTTER PIN B6 X 60		

# Gearbox (826-714C)

Applies to RCM3620



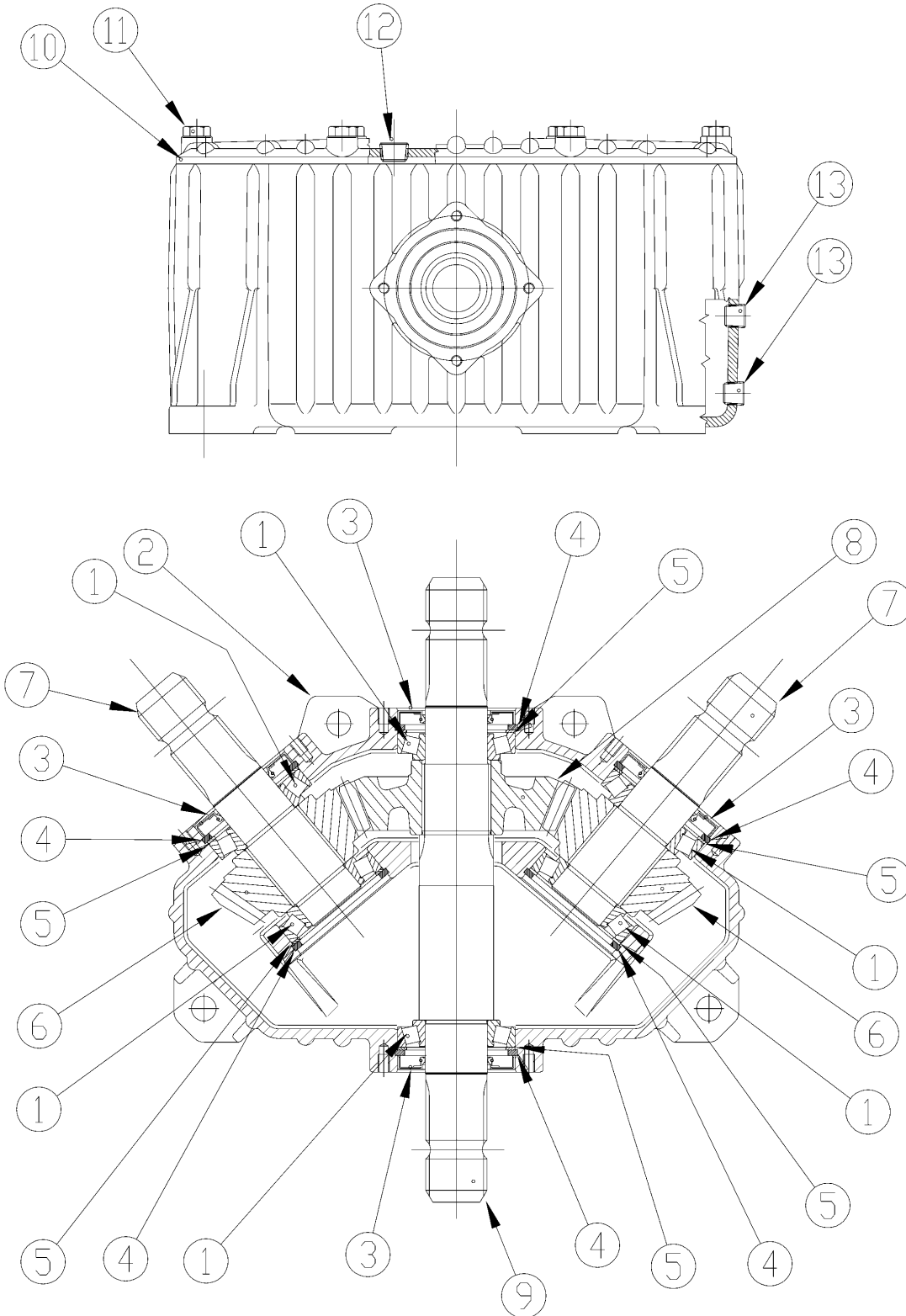
33810

**Gearbox (826-714C)****Applies to RCM3620**

Ref	Part No.	Part Description	Comments	Revision
	Dwg 33810 826-714C	Drawing Image Number GBOX LF227 1.35:1 REV *		
1.	0.227.0301.00	CO CASTING & MACHINING		
2.	0.227.5004.00	CO GEAR PINION Z17 M5.9		
3.	8.0.9.00143	CO BRG 30209 TAPPERED		
4.	A.709.500	COMER SHIM KIT		
5.	8.5.2.00332	CO SNAP RING UNI 7437		
6.	0.121.7101.00	CO CAP		
7.	0.227.2001.00	CO INPUT SHAFT 1 3/4" Z20		
8.	8.7.1.02348	CO DUST LIP (45X85X10)		
9.	0.227.1301.00	CO COVER		
10.	8.6.5.00006	CO OIL PLUG 3/8		
11.	8.1.1.00054	CO BOLT M10X20 8.8		
12.	0.227.6002.00	CO GEAR CROWN Z23 M5.9		
13.	8.5.1.01084	CO SNAP RING (50X47X3)		
14.	0.252.7525.00	CO SHIM 45.3X2.5		
15.	04-011	ITG BRG ASSEMBLY		
16.	A.712.500	COMER SHIM KIT		
17.	0.227.3002.00	CO OUTPUT SHAFT		
18.	0.132.7107.00	CO NUT M40X1.5		
19.	8.4.7.02265	CO COTTER PIN B 5X60		
20.	8.6.5.00203	CO PLUG 1/2" GAS		
21.	8.2.2.00555	CO NUT, CASTLE M30 X 2		
22.	8.7.1.01107	CO SEAL (50x90x10)		
23.	0.139.7100.00	CO SEAL RETAINER		
24.	0.139.7101.00	CO BLANK WASHER		
25.	0.285.7510.00	CO SHIM 40.3 X 61.7 X 1		
26.	0.227.7100.00	CO SHIM (50.3X60.3X4.9)		
27.	8.4.7.00146	CO COTTER PIN B6 X 60		

**Divider Box 540 RPM 1:1.35 (826-708C)**

**Applies to RC3620**



33806

**Divider Box 540 RPM 1:1.35 (826-708C)**

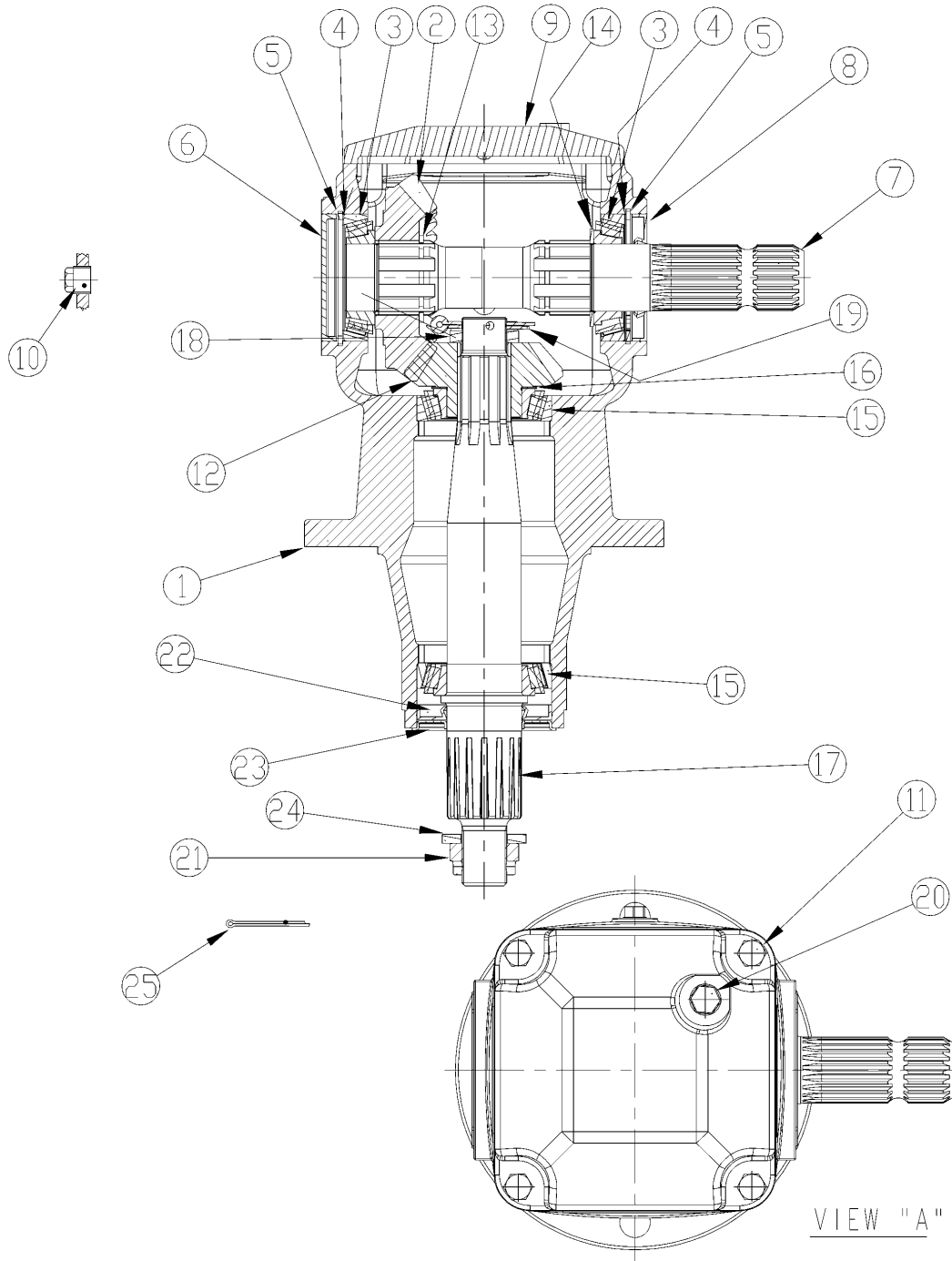
---

**Applies to RC3620**

<b>Ref</b>	<b>Part No.</b>	<b>Part Description</b>	<b>Comments</b>	<b>Revision</b>
	Dwg 33806 826-708C	Drawing Image Number DIV BOX 540RPM 1:1.35 *		
1.	8.0.9.00143	CO BRG 30209 TAPPED		
2.	0.305.0300.01	CO CASING		
3.	8.7.1.02348	CO DUST LIP (45X85X10)		
4.	8.5.2.01772	CO SNAP RING		
5.	A.709.500	COMER SHIM KIT		
6.	0.305.5006.00	CO GEAR M6 Z20		
7.	0.305.3000.00	CO SHAFT 1" 3/4 Z20		
8.	0.305.6003.00	CO GEAR M6 Z27		
9.	0.305.2000.00	CO SHAFT 1" 3/4 Z20		
10.	0.305.1300.00	TOP COVER PLATE		
11.	8.1.1.00109	CO BOLT M10 X 35 8.8		
12.	8.6.6.00088	CO 1/2" GAS OIL PLUG W/EMB HEX		
13.	8.6.6.00201	CO PLUG 3/8 GAS (SOLID PLUG)		

# Gearbox (826-711C)

Applies to RC3620



33808



**Gearbox (826-711C)**

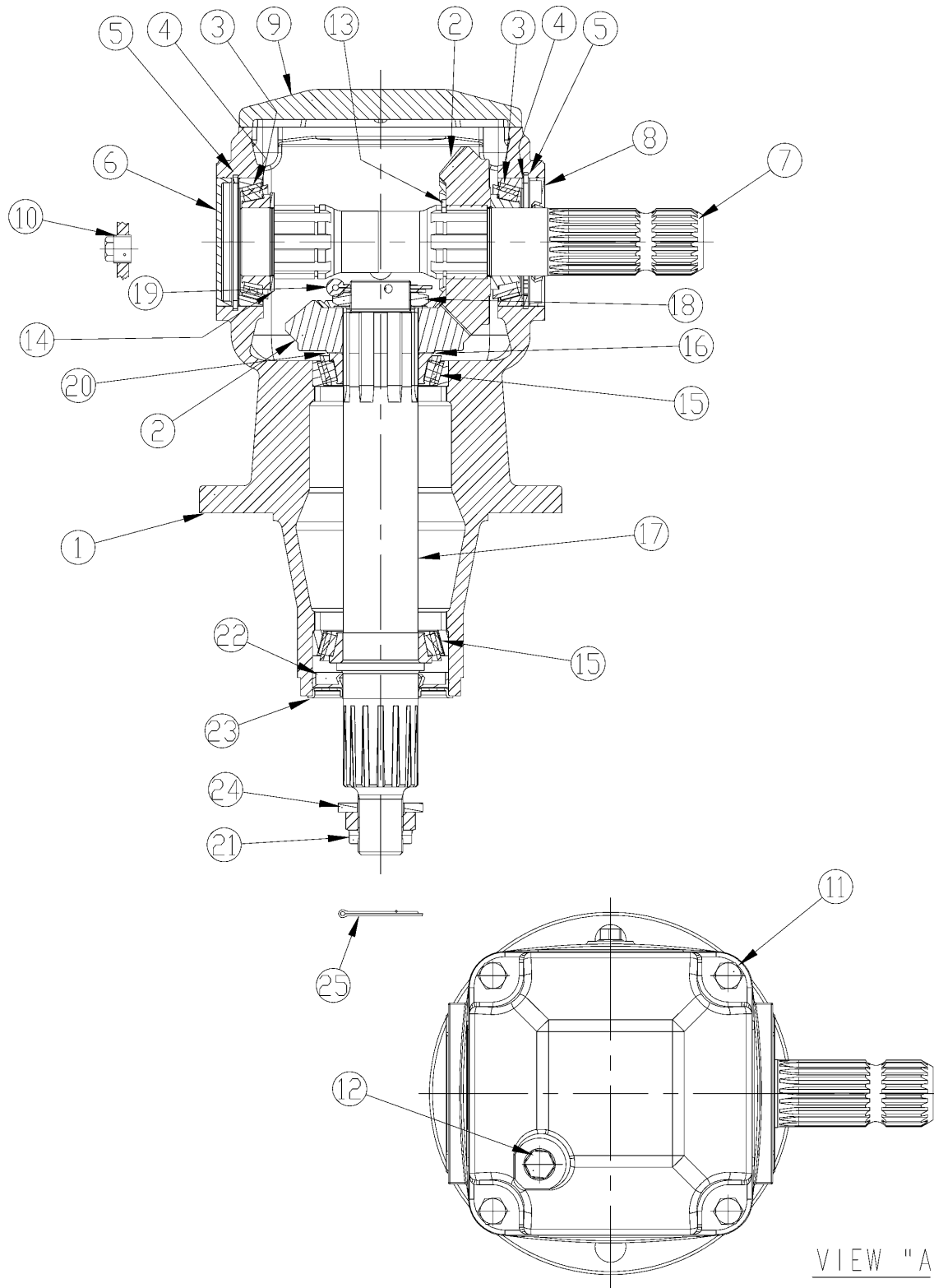
---

**Applies to RC3620**

<b>Ref</b>	<b>Part No.</b>	<b>Part Description</b>	<b>Comments</b>	<b>Revision</b>
	Dwg 33808 826-711C	Drawing Image Number GBOX LF227 1:1.35 REV *		
1.	0.227.0301.00	CO CASTING & MACHINING		
2.	0.227.6002.00	CO GEAR CROWN Z23 M5.9		
3.	8.0.9.00143	CO BRG 30209 TAPPERED		
4.	A.709.500	COMER SHIM KIT		
5.	8.5.2.00332	CO SNAP RING UNI 7437		
6.	0.121.7101.00	CO CAP		
7.	0.227.2001.00	CO INPUT SHAFT 1 3/4" Z20		
8.	8.7.1.02348	CO DUST LIP (45X85X10)		
9.	0.227.1301.00	CO COVER		
10.	8.6.5.00006	CO OIL PLUG 3/8		
11.	8.1.1.00054	CO BOLT M10X20 8.8		
12.	0.227.5002.00	CO PINION Z17 M5.9		
13.	8.5.1.01084	CO SNAP RING (50X47X3)		
14.	0.252.7525.00	CO SHIM 45.3X2.5		
15.	04-011	ITG BRG ASSEMBLY		
16.	A.712.500	COMER SHIM KIT		
17.	0.227.3003.00	CO OUTPUT SHAFT		
18.	0.132.7106.00	CO NUT M30 X 1.5		
19.	8.4.7.02265	CO COTTER PIN B 5X60		
20.	8.6.5.00203	CO PLUG 1/2" GAS		
21.	8.2.2.00555	CO NUT, CASTLE M30 X 2		
22.	8.7.1.01107	CO SEAL (50x90x10)		
23.	0.139.7100.00	CO SEAL RETAINER		
24.	0.139.7101.00	CO BLANK WASHER		
25.	8.4.7.00146	CO COTTER PIN B6 X 60		

# Gearbox (826-712C)

Applies to RC3620



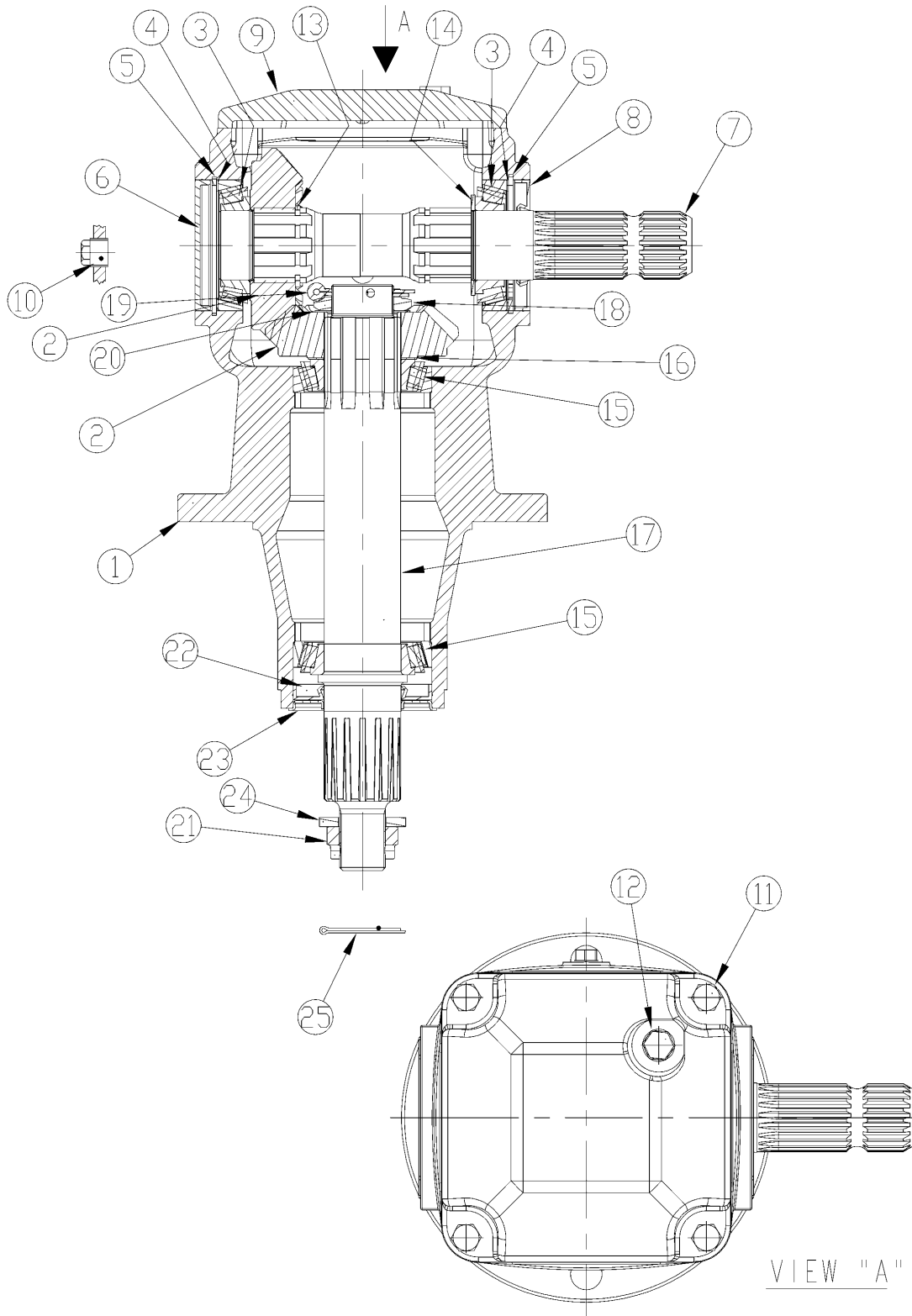
33809

**Gearbox (826-712C)****Applies to RC3620**

<b>Ref</b>	<b>Part No.</b>	<b>Part Description</b>	<b>Comments</b>	<b>Revision</b>
	Dwg 33809 826-712C	Drawing Image Number GBOX LF227 1:1 STD *		
1.	0.227.0301.00	CO CASTING & MACHINING		
2.	0.227.6000.00	CO CROWN Z17 M7.5		
3.	8.0.9.00143	CO BRG 30209 TAPPERED		
4.	A.709.500	COMER SHIM KIT		
5.	8.5.2.00332	CO SNAP RING UNI 7437		
6.	0.121.7101.00	CO CAP		
7.	0.227.2001.00	CO INPUT SHAFT 1 3/4" Z20		
8.	8.7.1.02348	CO DUST LIP (45X85X10)		
9.	0.227.1301.00	CO COVER		
10.	8.6.5.00006	CO OIL PLUG 3/8		
11.	8.1.1.00054	CO BOLT M10X20 8.8		
12.	8.6.5.00203	CO PLUG 1/2" GAS		
13.	8.5.1.01084	CO SNAP RING (50X47X3)		
14.	0.252.7525.00	CO SHIM 45.3X2.5		
15.	04-011	ITG BRG ASSEMBLY		
16.	A.712.500	COMER SHIM KIT		
17.	0.227.3002.00	CO OUTPUT SHAFT		
18.	0.132.7107.00	CO NUT M40X1.5		
19.	8.4.7.02265	CO COTTER PIN B 5X60		
20.	0.285.7510.00	CO SHIM 40.3 X 61.7 X 1		
21.	8.2.2.00555	CO NUT, CASTLE M30 X 2		
22.	8.7.1.01107	CO SEAL (50x90x10)		
23.	0.139.7100.00	CO SEAL RETAINER		
24.	0.139.7101.00	CO BLANK WASHER		
25.	8.4.7.00146	CO COTTER PIN B6 X 60		

# Gearbox (826-713C)

Applies to RC3620



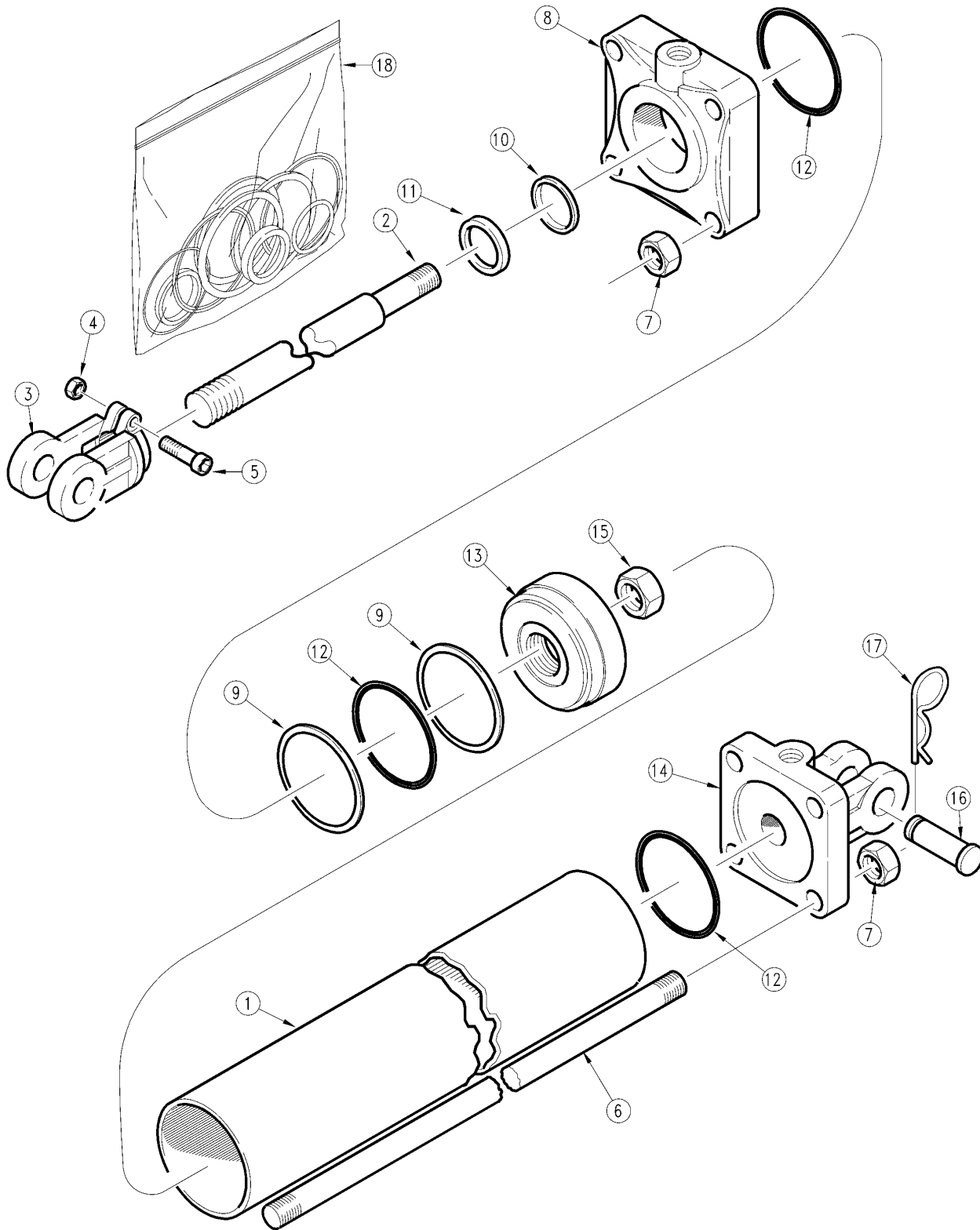
33811

**Gearbox (826-713C)****Applies to RC3620**

Ref	Part No.	Part Description	Comments	Revision
	Dwg 33811 826-713C	Drawing Image Number GBOX LF227 1:1 REV *		
1.	0.227.0301.00	CO CASTING & MACHINING		
2.	0.227.6000.00	CO CROWN Z17 M7.5		
3.	8.0.9.00143	CO BRG 30209 TAPPERED		
4.	A.709.500	COMER SHIM KIT		
5.	8.5.2.00332	CO SNAP RING UNI 7437		
6.	0.121.7101.00	CO CAP		
7.	0.227.2001.00	CO INPUT SHAFT 1 3/4" Z20		
8.	8.7.1.02348	CO DUST LIP (45X85X10)		
9.	0.227.1301.00	CO COVER		
10.	8.6.5.00006	CO OIL PLUG 3/8		
11.	8.1.1.00054	CO BOLT M10X20 8.8		
12.	8.6.5.00203	CO PLUG 1/2" GAS		
13.	8.5.1.01084	CO SNAP RING (50X47X3)		
14.	0.252.7525.00	CO SHIM 45.3X2.5		
15.	04-011	ITG BRG ASSEMBLY		
16.	A.712.500	COMER SHIM KIT		
17.	0.227.3002.00	CO OUTPUT SHAFT		
18.	0.132.7107.00	CO NUT M40X1.5		
19.	8.4.7.02265	CO COTTER PIN B 5X60		
20.	0.285.7510.00	CO SHIM 40.3 X 61.7 X 1		
21.	8.2.2.00555	CO NUT, CASTLE M30 X 2		
22.	8.7.1.01107	CO SEAL (50x90x10)		
23.	0.139.7100.00	CO SEAL RETAINER		
24.	0.139.7101.00	CO BLANK WASHER		
25.	8.4.7.00146	CO COTTER PIN B6 X 60		

# Hydraulic Cylinder (810-362C) Cross

Applies to RC3620, RCM3620



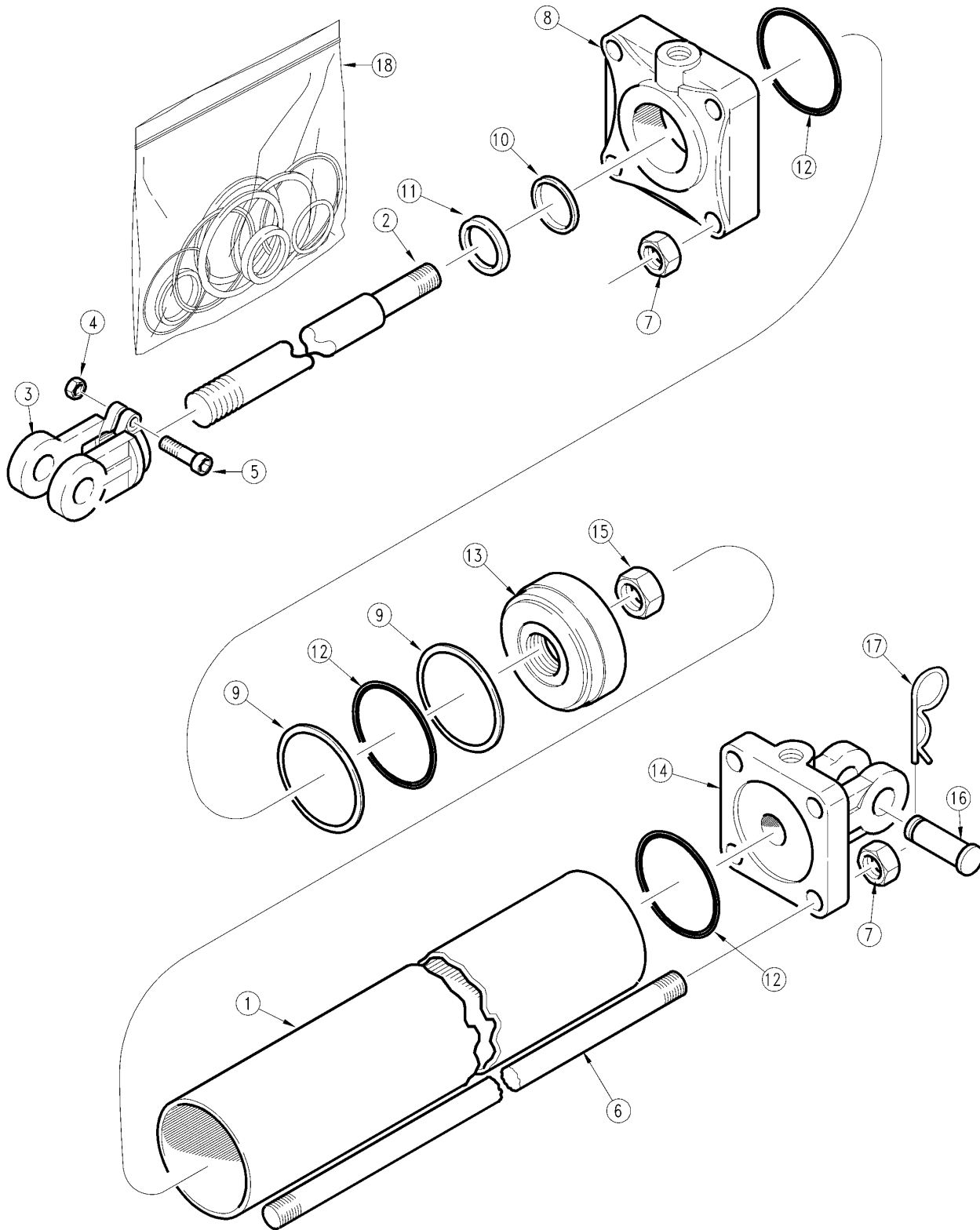
15704

***Hydraulic Cylinder (810-362C) Cross*****Applies to RC3620, RCM3620**

<b>Ref</b>	<b>Part No.</b>	<b>Part Description</b>	<b>Comments</b>	<b>Revision</b>
	Dwg 15704 810-362C	Drawing Image Number RPBY 850-327C *	Obsolete	
1.	1D0009-1450	CROSS TUBE		
2.	1D0205-1662	CROSS ROD		
3.	1D1013-5	CROSS ROD CLEVIS		
4.	2A0235-6	CROSS NUT, CLEVIS & TIE ROD		
5.	2A0079-616	CROSS SCREW, CAP		
6.	2A0581-1725	CROSS TIE ROD		
7.	2A0236-9	TIE ROD NUT CROSS		
8.	1D1159-7	HEAD CROSS		
9.	N/A	BACKUP PISTON	Only found in seal kit 18	
10.	N/A	U-CUP	Only found in seal kit 18	
11.	N/A	ROD WIPER	Only found in seal kit 18	
12.	N/A	O-RING PISTON	Only found in seal kit 18	
13.	1D1401-350	PISTON CROSS		
14.	1D1224-7	BASE CROSS 826-362C		
15.	1A1141	PISTON NUT CROSS		
16.	1D1551-16300	CROSS CLEVIS PIN	Usable Length (76mm or 3")	
17.	2A0308-1	CROSS PIN, CLIP		
18.	810-146C	SEAL KIT CROSS 3.5 CYL 1C4429		

# Hydraulic Cylinder (810-362C) Midway

Applies to RC3620, RCM3620



15704

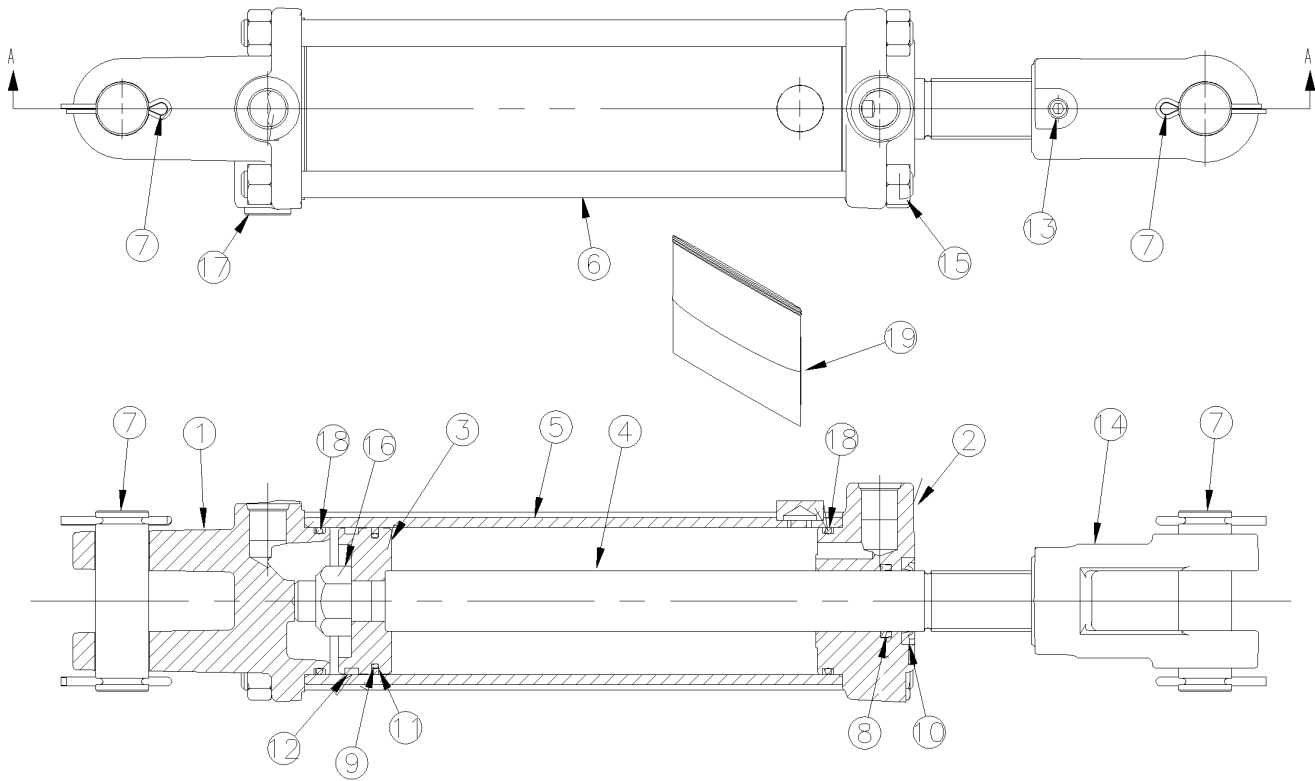


***Hydraulic Cylinder (810-362C) Midway*****Applies to RC3620, RCM3620**

<b>Ref</b>	<b>Part No.</b>	<b>Part Description</b>	<b>Comments</b>	<b>Revision</b>
	Dwg 15704 810-362C	Drawing Image Number RPBY 850-327C *	Obsolete	
1.	5M5120	MW TUBE		
2.	2M5418	MW ROD 1 1/4 DIA X 10' STROKE		
3.	1M6010	MW CLEVIS STD. DUTY		
4.	2A0012	MW NUT CLEVIS & TIE ROD		
5.	2A0006	MW CAPSCREW		
6.	7M5320	TIE ROD MIDWAY		
7.	2A0016	MW TIE ROD NUT		
8.	3M5410	MW HEAD 3-1/2X1-1/4ROD 9/16SAE		
9.	N/A	MW BACK UP TUBE	Found in Seal Kit #18	
10.	N/A	MW WIPER	Found in Seal Kit #18	
11.	N/A	MW U-CUP	Found in Seal Kit #18	
12.	N/A	MW O-RING	Found in Seal Kit #18	
13.	4M5108	MW PISTON	Obsolete	
13.	4M5102	RPBY 4M5108		
14.	6M5152	MW BASE 3 1/2		
15.	2A0024	MW PISTON NUT 1-14		
16.	2A0208	MW CLEVIS PIN		
17.	2A0132	MW PIN CLIP		
18.	810-149C	SEAL KIT 810-104C MW 3A5102		

# Hydraulic Cylinder (810-738C) Red Lion

Applies to RC3620, RCM3620



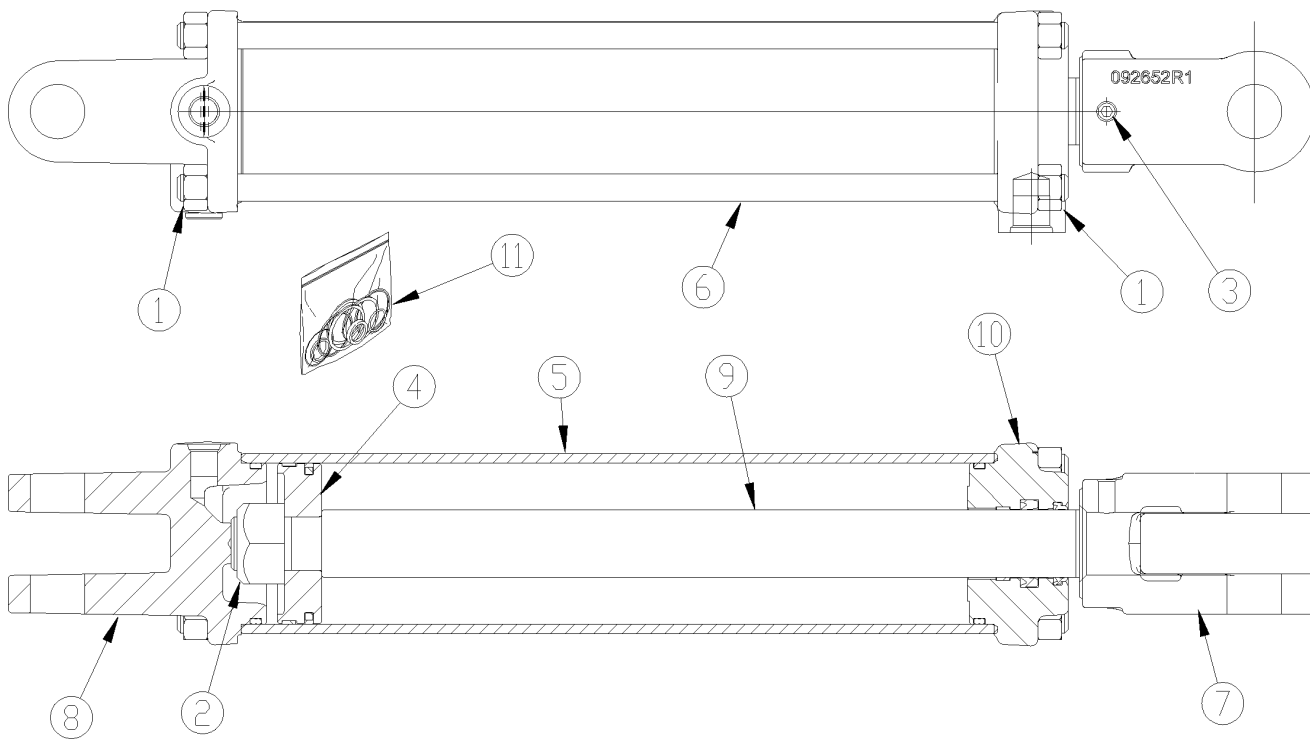
33905

**Hydraulic Cylinder (810-738C) Red Lion****Applies to RC3620, RCM3620**

<b>Ref</b>	<b>Part No.</b>	<b>Part Description</b>	<b>Comments</b>	<b>Revision</b>
	Dwg 33905 810-738C	Drawing Image Number CYL REP 2.75X8X1.13 ROD (TIE) *		
1.	492660	MON CLEVIS CAP 2.75-3/4ORB-1.0		
2.	492661	MON ROD CAP 2.75-1.12-3/4ORB		
3.	294727	MON PISTON 2.75-.75-TH-TP-TD		
4.	492180	MON ROD CYL1.12-08-.75-1.12-TP		
5.	464264	MON TUBE WELDT 2.75-08.00-TP		
6.	492278	MON TIE ROD		
7.	235005	MON PIN KIT 1.00C/W COTTER PIN		
8.	N/A	MON SEAL HALLITE 605 ROD 1.13		
9.	N/A	MON ORING 141 2 5/16X2 1/2		
10.	N/A	LION WIPER SEAL		
11.	N/A	MON SEAL PTFE PSTN RING 2 3/4D		
12.	N/A	MON WEAR RNG 2.75-2.50-.25-GFN		
13.	N/A	MON NYLON THREAD PROTECTOR		
14.	492650	LION ROD CLEVIS 1 1/8-12UNF		
15.	803-020C	NUT HEX 1/2-13 PLT		
16.	130556	MON PISTON NUT		
17.	186562	LION PLUG 3/4-16UNF SOCKET HD		
18.	N/A	MON SEAL DUAL 2.75		
19.	851-348C	MON SEAL KIT 810-738C		

# Hydraulic Cylinder (810-838C) Red Lion

Applies to RC3620, RCM3620



35033

**Hydraulic Cylinder (810-838C) Red Lion**

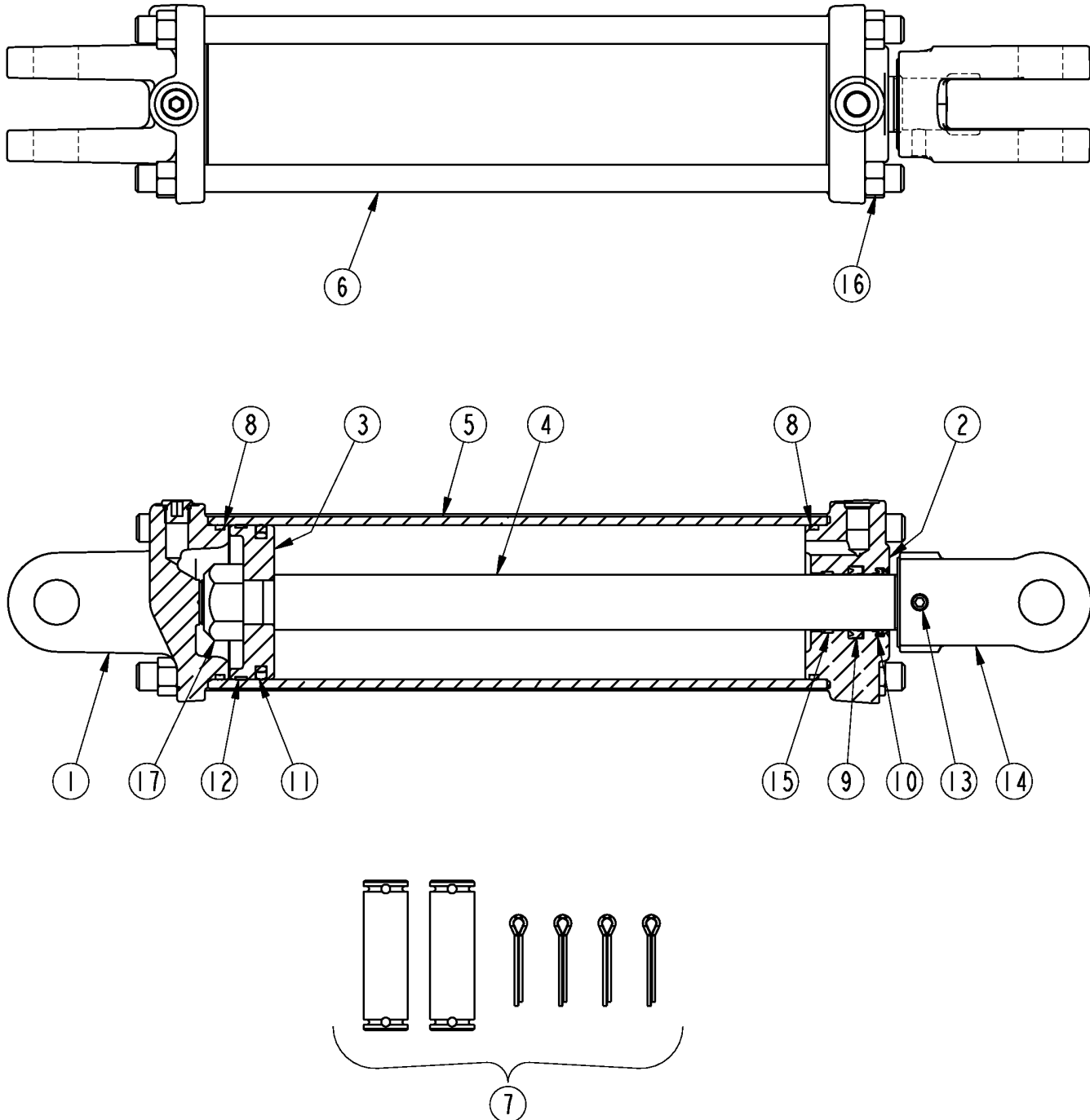
---

**Applies to RC3620, RCM3620**

<b>Ref</b>	<b>Part No.</b>	<b>Part Description</b>	<b>Comments</b>	<b>Revision</b>
	Dwg 35033	Drawing Image Number		
	810-838C	CYL 3X12X1.25 ROD (TIE ROD) *		
1.	803-020C	NUT HEX 1/2-13 PLT		
2.	130560	MON PISTON NUT		
3.	148000	MON SET SCREW 3/8INC ONE PIECE		
4.	258821	MON PISTON 3.00-1.0-TSS-ISO-WR		
5.	491742	MON CYL TUBE		
6.	492282	MON TIE ROD		
7.	492652	LION ROD CLEVIS 1 1/4 (1PIN)		
8.	492721	LION CLEVIS CAP 3.0-9/16 ORB		
9.	492870	MON CYL ROD		
10.	494383	MON ROD CAP3.00-1.25-9/16ORBTS		
11.	649206	MON SEAL KIT KR30WR-125 TSS		

# Hydraulic Cylinder (850-327C) Monarch

Applies to RC3620, RCM3620



72217

***Hydraulic Cylinder (850-327C) Monarch*****Applies to RC3620, RCM3620**

<b>Ref</b>	<b>Part No.</b>	<b>Part Description</b>	<b>Comments</b>	<b>Revision</b>
	Dwg 72217 850-327C	Image No. CYL 3.5X12X1.25ROD (TIE ROD) *		
1.	492833	LION CLEVIS CAP 3.5-16 ORB		
2.	494404	MON ROD CAP3.5-1.25-9/16ORB-TS		
3.	258827	MON PISTN 3.50-1.00-TSS-ISO-WR		
4.	492870	MON CYL ROD		
5.	491802	MON TUBE CYL 3.50-12		
6.	492342	MON TIE ROD 5/8-12		
7.	235005	MON PIN KIT 1.00C/W COTTER PIN		
8.	199141	MON SEAL DUAL 3.50		
9.	194016	MON SEAL ZURCON U-CUP RU9 1.25		
10.	199157	MON SEAL WIPER 1.25 WNUC TSS		
11.	197066	MON SEAL ZURCON WYNSEAL3.50-IS		
12.	190188	MON WEAR RING 3.50-3.38-0.250		
13.	148000	MON SET SCREW 3/8INC ONE PIECE		
14.	493830	LION HARDENED ROD CLEVIS 1 1/4		
15.	190131	MON WEAR RING 1.37-1.25-0.250		
16.	803-022C	NUT HEX 5/8-18 PLT		
17.	130560	MON PISTON NUT		



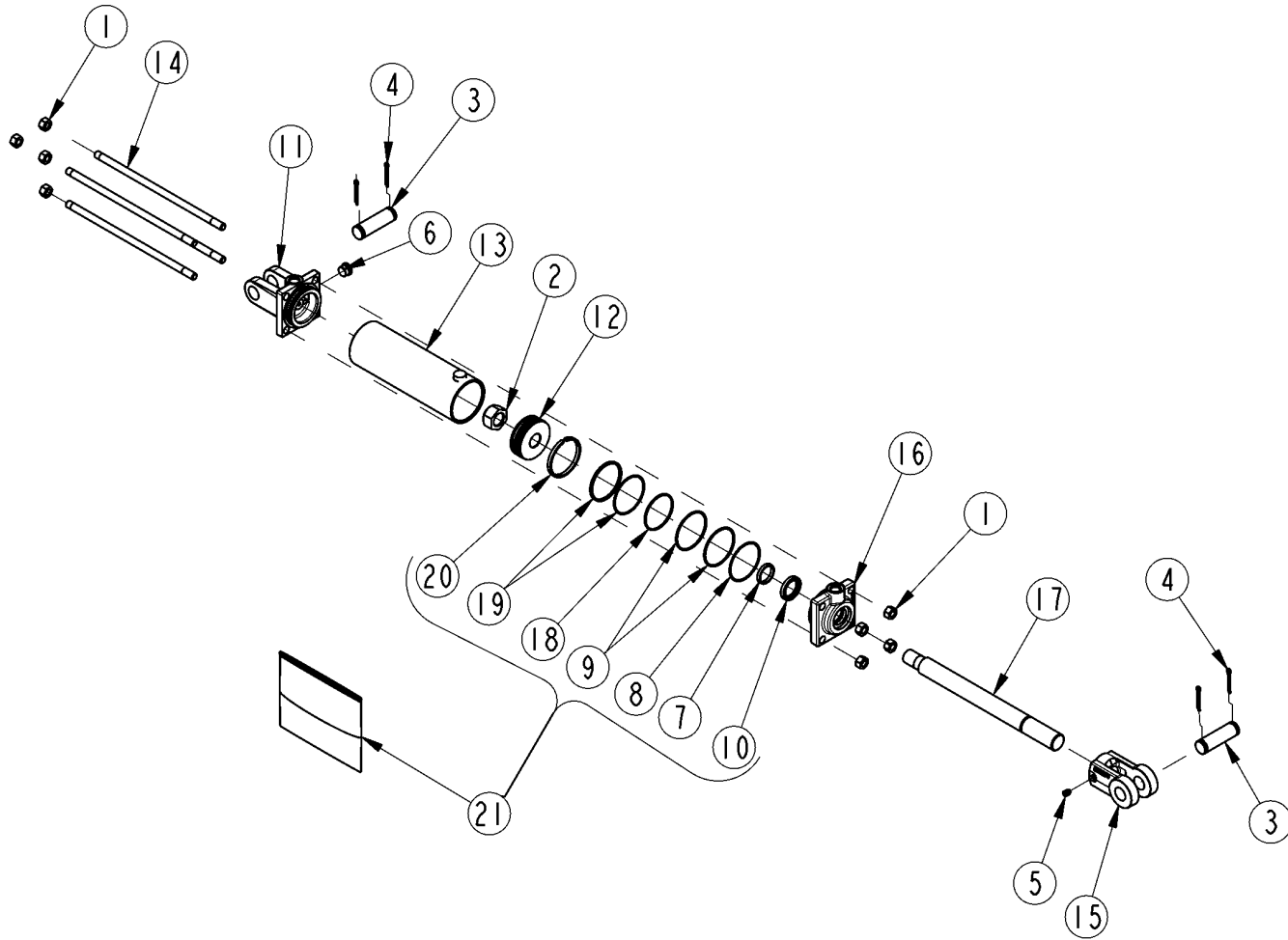


***Hydraulic Cylinder Plumbing Components*****Applies to RC3620, RCM3620**

<b>Ref</b>	<b>Part No.</b>	<b>Part Description</b>	<b>Comments</b>	<b>Revision</b>
	Dwg 33805	Drawing Image Number		
1.	810-831C	CYL REP 3.25X8X1.25 ROD (TIE)		
2.	810-632C	REP CYL 3X8X1.25 ROD (TIE)		
3.	810-738C	CYL REP 2.75X8X1.13 ROD (TIE)		
4.	811-088C	AD 3/4MORB 3/4MJIC		
5.	811-394C	CP 3/4FORB MALE QD POPPET TYPE		
6.	841-654C	HH3/8R1 228 3/4MORB 3/4FJIC		
7.	811-142C	HH3/8R1 114 3/4FJIC		
8.	841-605C	HH3/8R1 234 3/4FJIC		
9.	841-606C	HH3/8R1 288 3/4MORB 3/4FJIC		
10.	850-327C	CYL 3.5X12X1.25ROD (TIE ROD)	S/N 1341266+	
10.	810-362C	RPBY 850-327C	S/N 1058900 to S/N 1341265 (Obsolete) must grind 1/4" out of the radius of the lug that the base end of the cylinder attaches to if your machine is under S/N 1058900	
10.	810-838C	CYL 3X12X1.25 ROD (TIE ROD)	S/N 1058899-	
11.	811-337C	OREL 1/16 9/16MJIC 9/16MORB		
12.	811-309C	HH1/4R1 066 9/16FJIC		
13.	811-356C	TE 9/16MJIC BH 9/16MJIC 9/16MJ		
14.	811-238C	HH3/8R1 189 9/16FJIC 3/4MORB		
15.	800-117C	VENT PLUG - 9/16-18 PLATED		

# Hydraulic Cylinder Rephase (810-632C) Monarch

Applies to RC3620, RCM3620



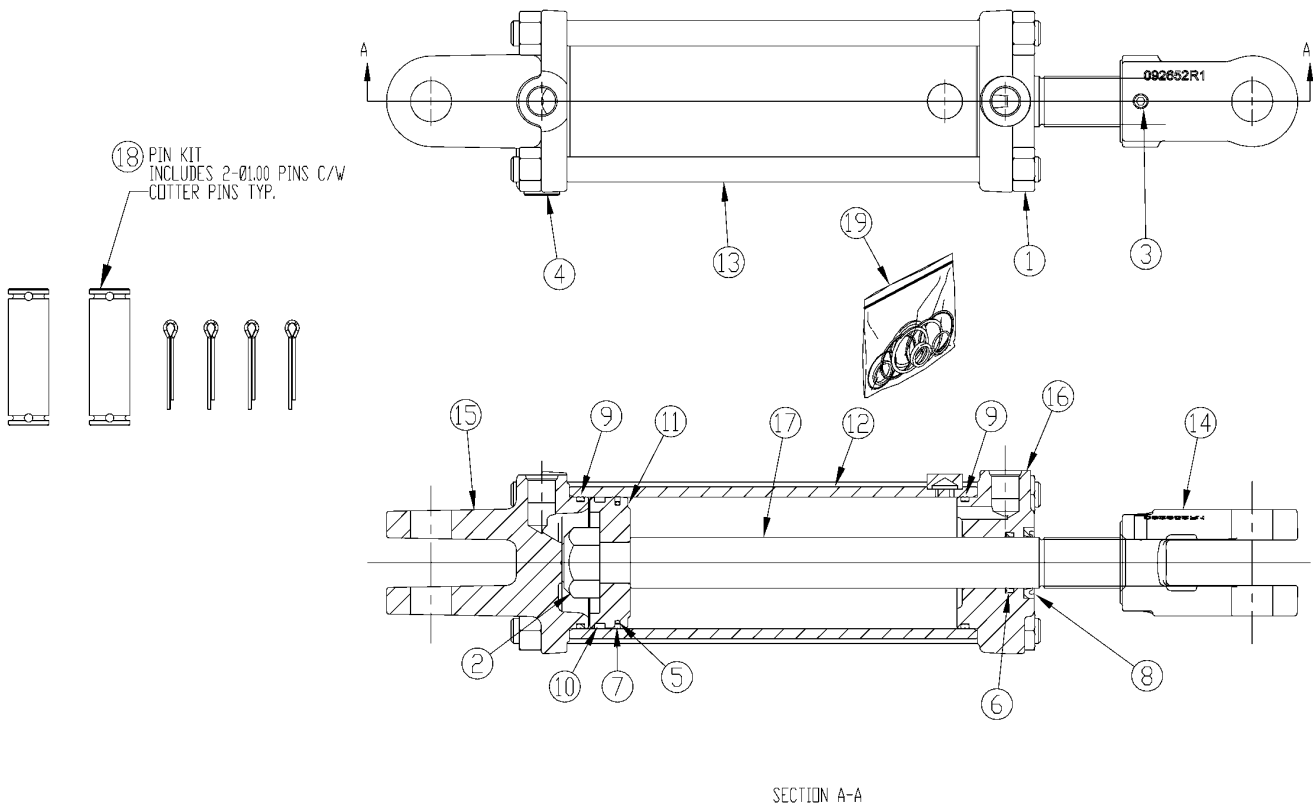
27884

***Hydraulic Cylinder Rephase (810-632C) Monarch*****Applies to RC3620, RCM3620**

<b>Ref</b>	<b>Part No.</b>	<b>Part Description</b>	<b>Comments</b>	<b>Revision</b>
	Dwg 27884 810-632C	Drawing Image Number REP CYL 3X8X1.25 ROD (TIE) *		
1.	803-020C	NUT HEX 1/2-13 PLT		
2.	130560	MON PISTON NUT		
3.	134953	LION PIN		
4.	135995	MON CLEVIS PIN COTTER		
5.	801-023C	SCREW SET SH 3/8-16X3/8 TYPE C		
6.	186562	LION PLUG 3/4-16UNF SOCKET HD		
7.	N/A	MON ROD SEAL	Only in Seal Kit Item 21	
8.	N/A	MON END CAP B/U WASHER	Only in Seal Kit Item 21	
9.	N/A	MON END CAP O-RING	Only in Seal Kit Item 21	
10.	N/A	SEAL WIPER ROD	Only in Seal Kit Item 21	
11.	292675	MON CLEVIS CAP		
12.	294719	MON PISTON		
13.	464265	MON TUBE		
14.	492278	MON TIE ROD		
15.	492652	LION ROD CLEVIS 1 1/4 (1PIN)		
16.	492670	MON ROD CAP		
17.	492700	LION ROD 1.25 DIA. ASAE 8		
18.	N/A	O-RING	Only in Seal Kit Item 21	
19.	N/A	EXPANDER	Only in Seal Kit Item 21	
20.	N/A	WEAR RING	Only in Seal Kit Item 21	
21.	639558	MON REPAIR KIT		

# Hydraulic Cylinder Rephase (810-831C) Red Lion

Applies to RC3620, RCM3620

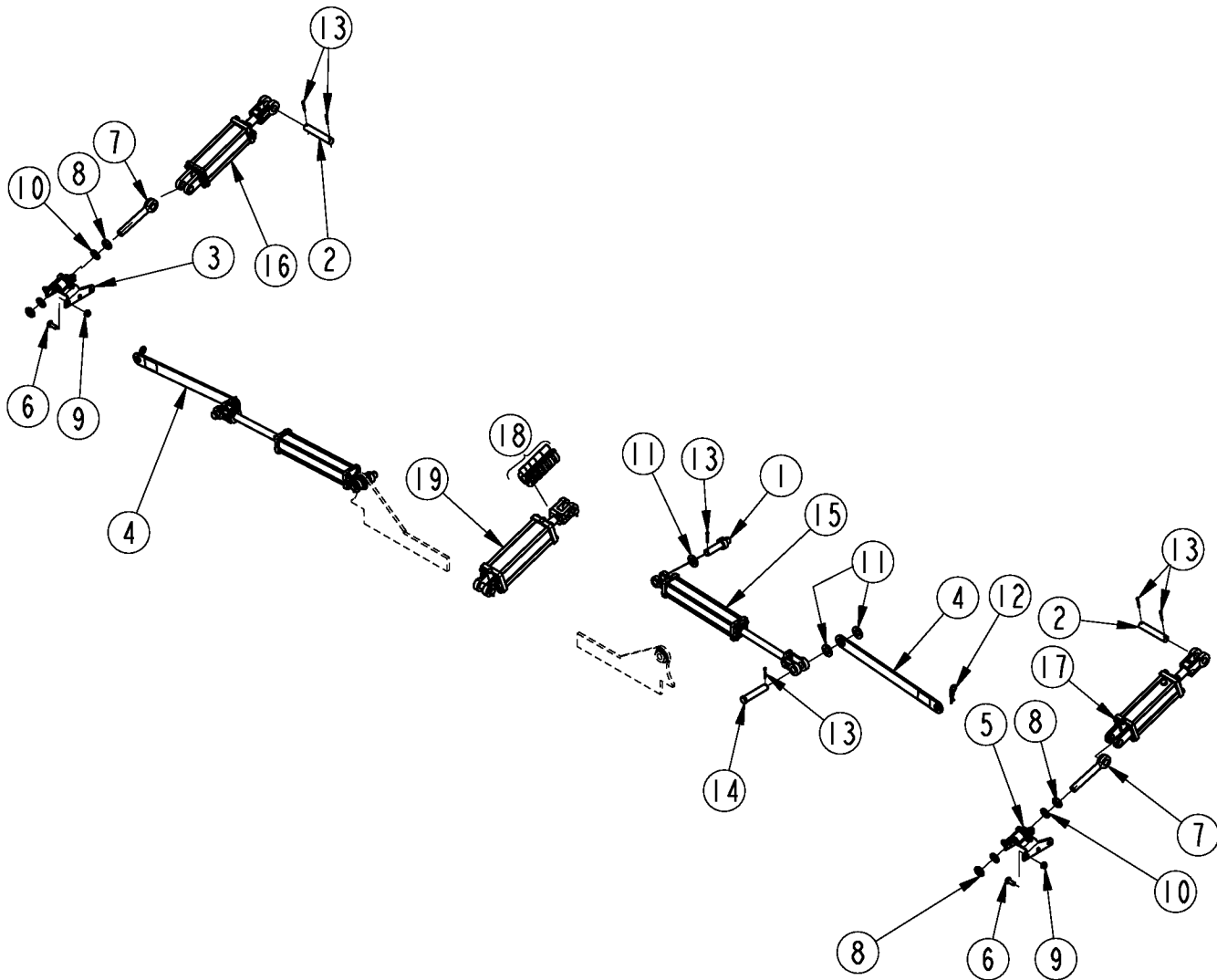


***Hydraulic Cylinder Rephase (810-831C) Red Lion*****Applies to RC3620, RCM3620**

<b>Ref</b>	<b>Part No.</b>	<b>Part Description</b>	<b>Comments</b>	<b>Revision</b>
	Dwg 33230 810-831C	Drawing Image Number CYL REP 3.25X8X1.25 ROD (TIE) *		
1.	803-022C	NUT HEX 5/8-18 PLT		
2.	130560	MON PISTON NUT		
3.	148000	MON SET SCREW 3/8INC ONE PIECE		
4.	186562	LION PLUG 3/4-16UNF SOCKET HD		
5.	N/A	MON SEAL PTFE PISTN RING 3-1/4	Order Seal Kit Item #19	
6.	N/A	MON SEAL HALLITE 605 ROD 1-1/4	Order Seal Kit Item #19	
7.	N/A	MON O RING 149 2-13/16X3 DUR90	Order Seal Kit Item #19	
8.	N/A	MON SEAL WIPER ROD 1.250 METAL	Order Seal Kit Item #19	
9.	N/A	MON SEAL DUAL 3.25	Order Seal Kit Item #19	
10.	N/A	MON WEAR RNG 3.25-3.00-.25-GFN	Order Seal Kit Item #19	
11.	294737	MON PISTON 3.25-1.00-TP		
12.	464266	MON TUBE WELDT 3.25-08.00-TP		
13.	492338	LION TIE ROD 5/8 X 8		
14.	492652	LION ROD CLEVIS 1 1/4 (1PIN)		
15.	492662	MON CLEVIS CAP 3.25-3/4ORB-1.0		
16.	492664	MON ROD CAP 3.25-1.25-3/4ORB		
17.	492700	LION ROD 1.25 DIA. ASAE 8		
18.	235005	MON PIN KIT 1.00C/W COTTER PIN		
19.	639560	MON SEAL KIT 32TP08-125		

# Hydraulic Cylinders W/ Mounting Components

Applies to RC3620, RCM3620



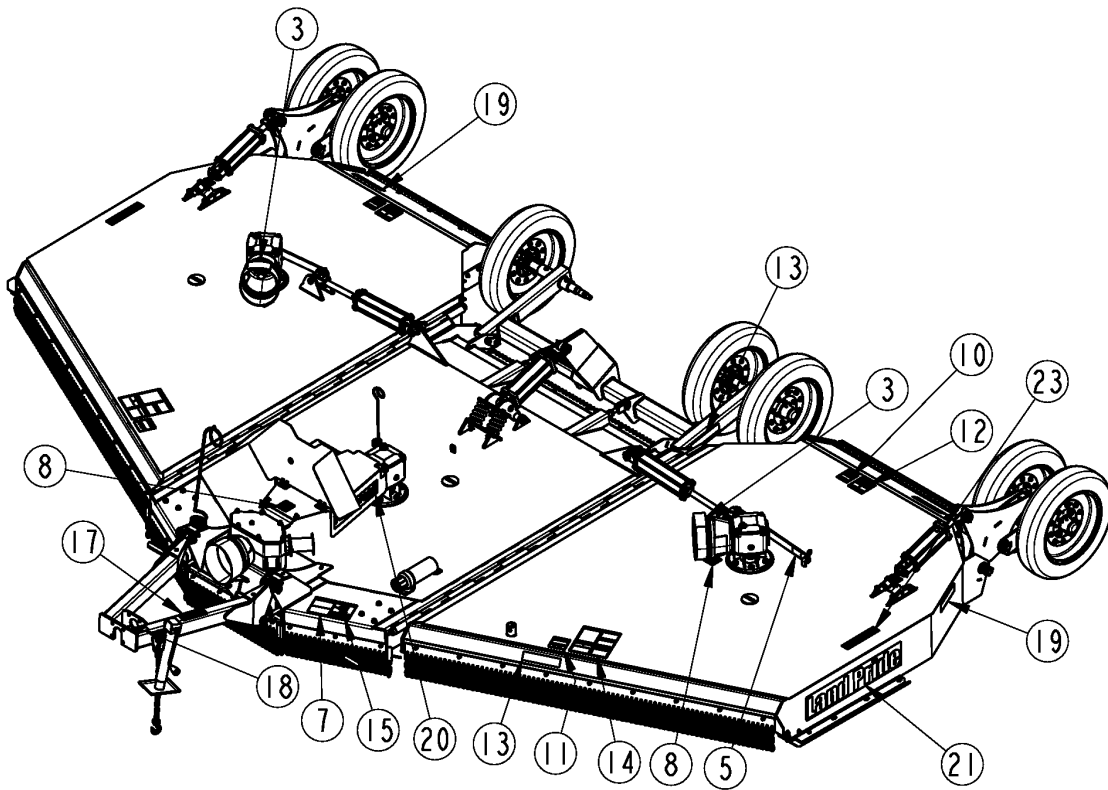
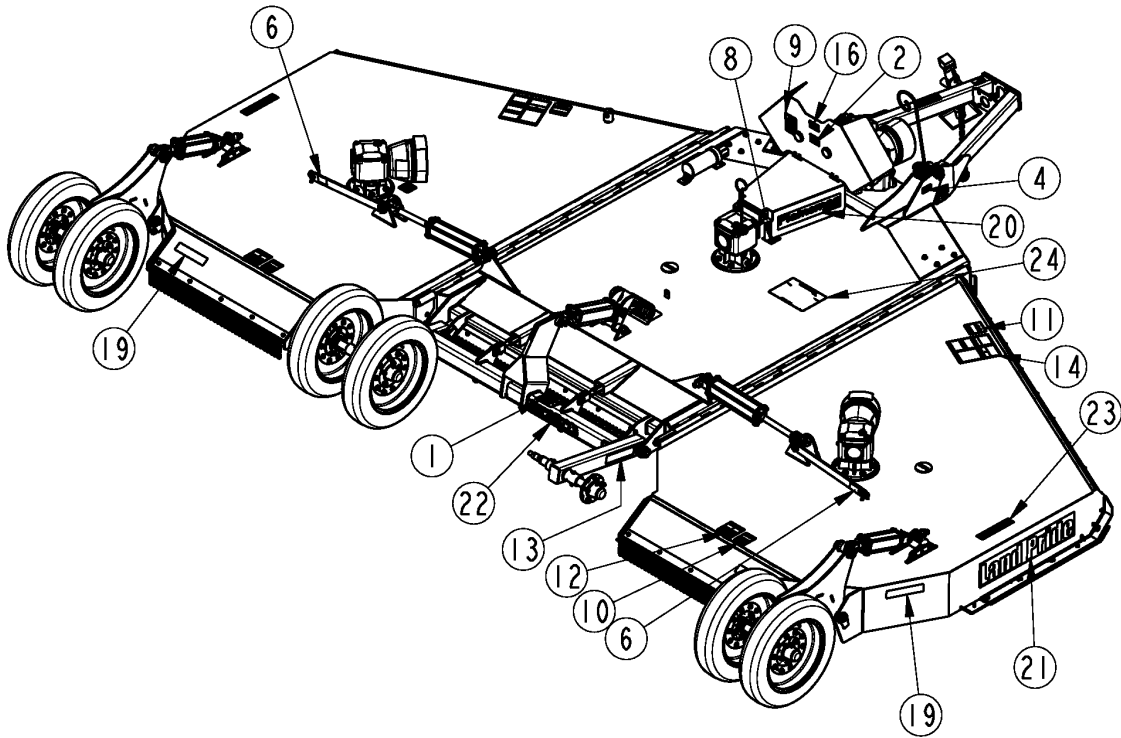
33804

**Hydraulic Cylinders W/ Mounting Components****Applies to RC3620, RCM3620**

<b>Ref</b>	<b>Part No.</b>	<b>Part Description</b>	<b>Comments</b>	<b>Revision</b>
	Dwg 33804	Drawing Image Number		
1.	318-018H	WLDMT. CYLINDER PIN		
2.	330-567D	PIN 1 OD X 5.13 USABLE		
3.	330-788H	MOUNT REPH CYL ADJ RH		
4.	330-876S	TRANSPORT BAR W/ DECALS		
5.	330-982H	MOUNT REPH CYL ADJ LH		
6.	802-106C	RHSNB 1/2-13X1 1/2 GR5		
7.	802-754C	EYE BOLT 1-8X6 1/2 LG PLT SP		
8.	803-030C	NUT HEX JAM 1-8 PLT		
9.	803-037C	NUT HEX WHIZ 1/2-13 PLT		
10.	804-027C	WASHER LOCK SPRING 1 PLT		
11.	804-029C	WASHER FLAT 1 SAE		
12.	805-088C	PIN, HAIR COTTER 3/16 WIRE DIA		
13.	805-104C	PIN COTTER 3/16 X 1 1/2 PLT		
14.	805-131C	PIN CLEVIS 1 X 4 11/16 USABLE		
15.	850-327C	CYL 3.5X12X1.25ROD (TIE ROD)	S/N 1341266+	
15.	810-362C	RPBY 850-327C	S/N 1058900 to S/N 1341265 (Obsolete) must grind 1/4" out of the radius of the lug that the base end of the cylinder attaches to if your machine is under S/N 1058900	
15.	810-838C	CYL 3X12X1.25 ROD (TIE ROD)	S/N 1058899-	
16.	810-632C	REP CYL 3X8X1.25 ROD (TIE)		
17.	810-738C	CYL REP 2.75X8X1.13 ROD (TIE)		
18.	810-818C	STRK CNTRL SPCRS 1.125 TO 1.50		
19.	810-831C	CYL REP 3.25X8X1.25 ROD (TIE)		

### Decal Placement

Applies to RC3620, RCM3620



33595



**Decal Placement****Applies to RC3620, RCM3620**

Ref	Part No.	Part Description	Comments	Revision
	Dwg 33595	Drawing Image Number		
1.	818-045C	DECAL WARNING PINCH PT/CRUSH		
2.	818-130C	DECAL WARNING 540 RPM		
2.	818-240C	DECAL WARNING 1000 RPM		
3.	818-142C	DECAL DANGER PTO DRIVELINE EN		
4.	818-190C	DECAL FLAG		
5.	818-229C	DECAL AMBER REFLECTOR		
6.	818-230C	DECAL RED REFLECTOR		
7.	818-276C	DECAL WARNING OPERATING ANGLE		
8.	818-543C	DECAL DANGER PD GUARD MISS SML		
9.	818-552C	DECAL DANGER PTO DRIVELINE		
10.	818-556C	DECAL DANGER THROWN OBJ CUTTER		
11.	818-561C	DECAL DANGER RAISED WING HAZAR		
12.	818-555C	DECAL DANGER ROTATE BLADE		
12.	818-564C	RPBY 818-555C	Obsolete	
13.	838-615C	DECAL REFLECTOR AMBER 2X9	S/N 813017+	
14.	818-830C	DECAL SAFETY COMBO SUNWEST	S/N _____ -	
14.	858-949C	DECAL CUTTER SAFETY COMBO	S/N _____ +	
15.	818-840C	DECAL DANGER ROLLOVER HAZARD		
16.	848-872C	DECAL 7 YEAR GEARBOX WARRANTY		
17.	838-094C	DECAL WARNING HYD PRESS LONG		
18.	838-588C	FOLDING CUTTER SPEED WARNING		
19.	838-614C	DECAL REFLECTOR RED 2X9	S/N 813017+	
20.	838-638C	DECAL PLAINSMAN GREEN	Beige Unit, Green Unit	
20.	848-124C	DECAL PLAINSMAN ORANGE	Orange Unit	
20.	838-587C	DECAL PLAINSMAN	Red Unit	
21.	838-959C	DECAL LANDPRIDE 30" GREEN	S/N _____ -	
21.	848-122C	DECAL LANDPRIDE 34" TAN/BROWN	S/N _____ +	
22.	838-965C	DECAL LANDPRIDE 16" BROWN/GOLD		
23.	848-774C	DECAL RC3620 GREEN	S/N _____ -	
23.	848-777C	DECAL RC3620 GOLD	S/N _____ +	
23.	848-775C	DECAL RCM3620 GREEN	S/N _____ -	
23.	848-778C	DECAL RCM3620 GOLD	S/N _____ +	
24.	848-797C	DECAL BLADE ROTATION		

***Touch-up Paints - LP***

---

Applies to RC3620, RCM3620

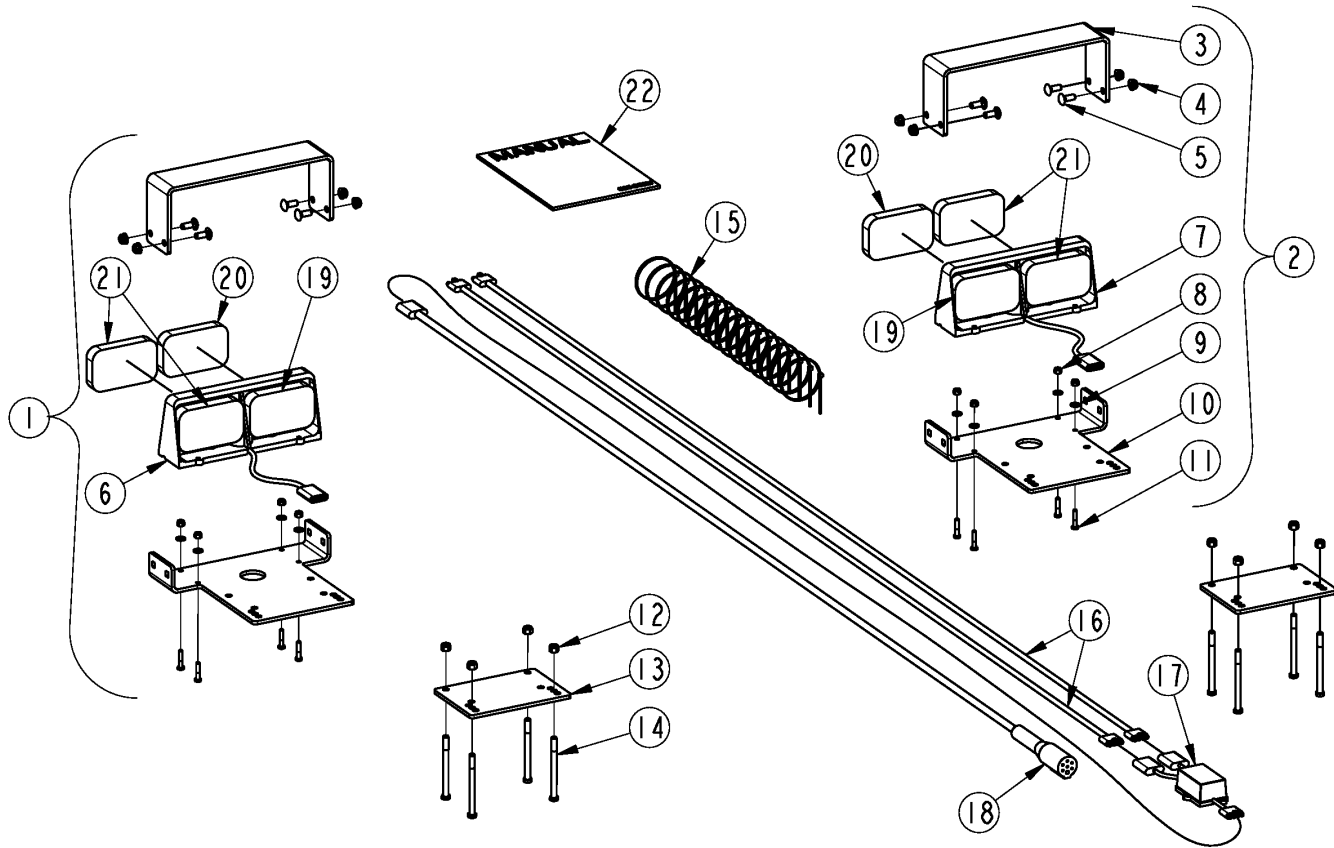
**No diagram associated with this Parts List**

***Touch-up Paints - LP*****Applies to RC3620, RCM3620**

<b>Ref</b>	<b>Part No.</b>	<b>Part Description</b>	<b>Comments</b>	<b>Revision</b>
1.	821-011C	LP BEIGE SPRAY CAN	Spray can	
1.	821-011CTU	LP BEIGE TOUCH-UP 5OZ	Touch-up bottle with brush	
1.	821-011CQT	LP BEIGE QUART	Quart can	
1.	821-011CGL	LP BEIGE GALLON	Gallon can	
2.	821-070C	GLOSS BLACK SPRAY CAN	Spray can	
2.	821-070CTU	GLOSS BLACK TOUCH-UP 5OZ	Touch-up bottle with brush	
2.	821-070CQT	GLOSS BLACK QUART	Quart can	
2.	821-070CGL	GLOSS BLACK GALLON	Gallon can	
3.	821-054C	MED. RED SPRAY TRCK/CTR	Spray can	
3.	821-054CTU	MED RED TOUCH-UP 5OZ	Touch-up bottle with brush	
3.	821-054CQT	MED RED QUART	Quart can	
3.	821-054CGL	MED RED GALLON	Gallon can	
4.	821-058C	GREEN SPRAY CUTTERS	Spray can	
4.	821-058CTU	GREEN TOUCH-UP 5OZ	Touch-up bottle with brush	
4.	821-058CQT	GREEN QUART	Quart can	
4.	821-058CGL	GREEN GALLON	Gallon can	
5.	821-066C	ORANGE SPRAY CAN	Spray can	
5.	821-066CTU	ORANGE TOUCH-UP 5OZ	Touch-up bottle with brush	
5.	821-066CQT	ORANGE QUART	Quart can	
5.	821-066CGL	ORANGE GALLON	Gallon can	
6.	821-067C	BLUE SPRAY CAN	Spray can	
6.	821-067CTU	BLUE TOUCH-UP 5OZ	Touch-up bottle with brush	
6.	821-067CQT	BLUE QUART	Quart can	
6.	821-067CGL	BLUE GALLON	Gallon can	
7.	821-080C	PAINT ALUMINUM/ZINC SPRAY CAN	Spray can	
7.	821-080CTU	PAINT ALUMINUM/ZINC TOUCH UP	Touch-up bottle with brush	
7.	821-080CQT	PAINT ALUMINUM/ZINC QUART	Quart can	
7.	821-080CGL	PAINT ALUMINUM/ZINC GALLON	Gallon can	

# Lights 3.5 Inch (LED)

Applies to RC3620, RCM3620



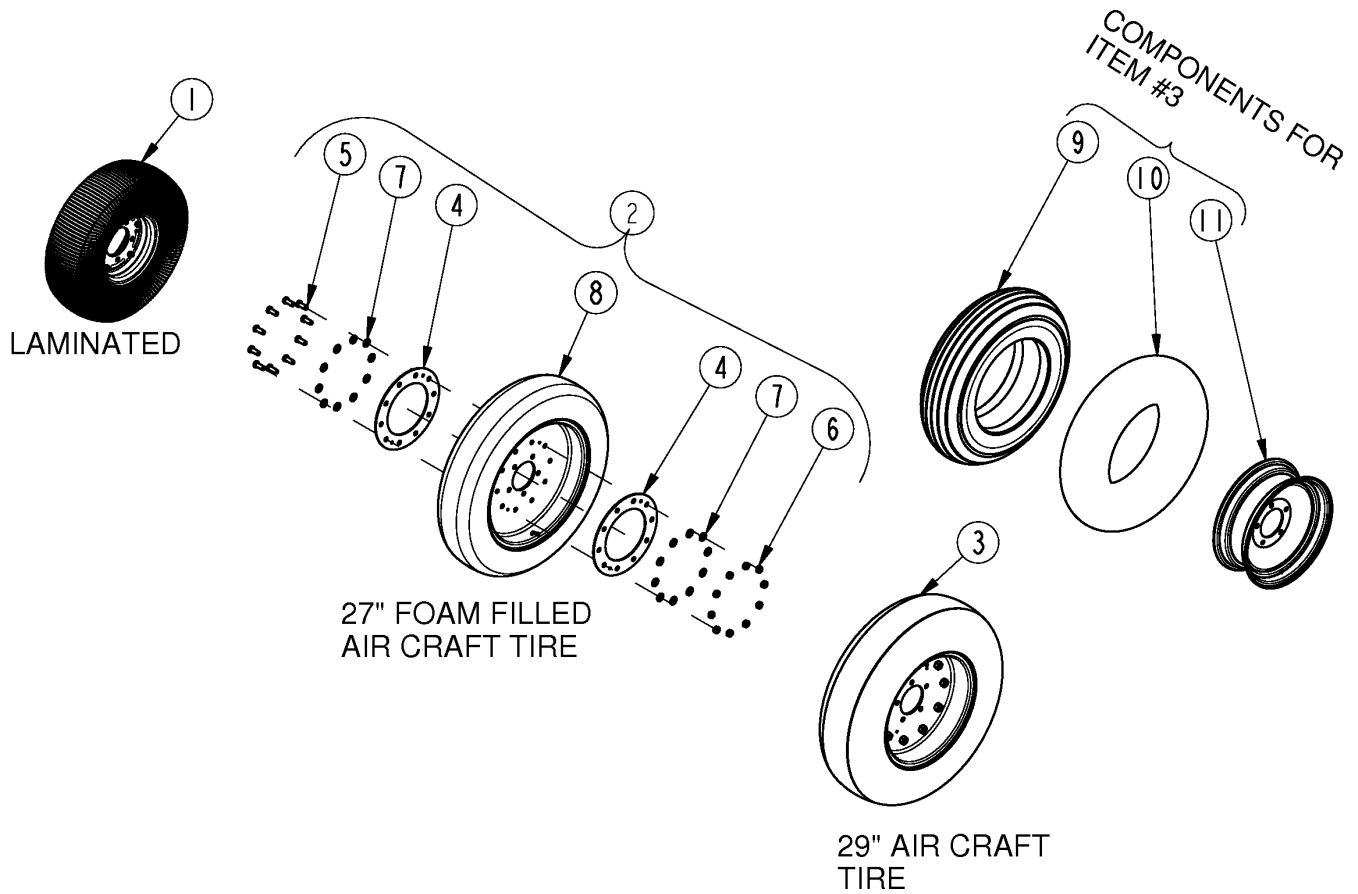
37671

**Lights 3.5 Inch (LED)****Applies to RC3620, RCM3620**

<b>Ref</b>	<b>Part No.</b>	<b>Part Description</b>	<b>Comments</b>	<b>Revision</b>
	Dwg 37671 334-581A	Image No. FOLDING CUTTER LGHT KIT 3.5 LL *	S/N 1150617- Lights were optional	
1.	331-471S	RH LIGHT ASSY	Includes Items 3, 4, 5, 6, 8, 9, 10, & 11	
2.	331-472S	LH LIGHT ASSY	Includes Items 3, 4, 5, 7, 8, 9, 10, & 11	
3.	330-966D	LIGHT GUARD		
4.	803-209C	NUT FLANGE LOCK 3/8-16 PLT		
5.	802-015C	RHSNB 3/8-16X1 GR5		
6.	891-523C	DUAL LED LIGHT RH	Includes items 19, 20, & 21	
7.	891-522C	DUAL LED LIGHT LH	Includes items 19, 20, & 21	
8.	803-255C	NUT HEX NYLOCK 1/4-20		
9.	804-007C	WASHER FLAT 1/4 SAE PLT		
10.	330-965D	LIGHT MNT		
11.	802-224C	HHCS 1/4-20X1 1/4 GR5		
12.	803-078C	NUT LOCK 3/8-16 NYLON INSERT		
13.	330-967D	LIGHT MNT CLAMP		
14.	802-318C	HHCS 3/8-16X5 GR5	S/N 1058900+	
14.	802-027C	HHCS 3/8-16X4 1/2 GR5	S/N 1058899-	
15.	800-060C	CABLE TIE .19X14.25 3DIA 50LB		
16.	891-529C	LIGHT WIRE HARNESS 8'		
17.	891-531C	ENHANCE MODULE		
18.	891-533C	LEAD WIRE HARNESS 13'		
19.	J-AC1-15-B	BLACK LENS COVER	Black lens	
20.	J-37-R	RED LED LENS MODULE	Red lens	
21.	J-37-A	AMBER LED LENS MODULE	Amber lens	
22.	334-574M	ROTARY CUTTER LIGHT KIT MANUAL		

# Tire Options

Applies to RC3620, RCM3620



35672

**Tire Options****Applies to RC3620, RCM3620**

<b>Ref</b>	<b>Part No.</b>	<b>Part Description</b>	<b>Comments</b>	<b>Revision</b>
	Dwg 35672	Drawing Image Number		
1.	814-265C	TIRE & WHL LAM. 6X9X21(5-BOLT)	21" Laminated	
1.	814-673C	TIRE & WHL LAM 6X26 (5-BOLT)	26" Laminated	
2.	330-779S	AC TIRE FF 27X7.75X15 5-BOLT		
3.	814-449C	TIRE, AC 29" 16 PLY 5 BOLT		
4.	330-340D	REINFORCING RING, AC TIRE		
5.	802-580C	HHCS 1/2-13X1 1/4 GR8		
6.	803-019C	NUT LOCK 1/2-13 PLT		
7.	804-016C	WASHER FLAT 1/2 SAE PLT		
8.	814-287C	AC TIRE FF 27X7.75X15 5-BOLT		
9.	814-450C	TIRE H29X9.0X15 USED		
10.	814-451C	TUBE FOR 29X9.0-15		
11.	814-461C	RIM 2PC 5BLT 15X6.5		



# Part Number Index

The Part Number Index is a numeric index of all part numbers included in this manual. The index shows what page(s) the part is used on.

Part Number	Page	Part Number	Page	Part Number	Page	Part Number	Page
0.121.7101.00	109, 111, 113, 117, 119, 121	142.267.2707621	61, 87	180.019.116.1	61, 65, 73, 75, 81, 87, 91, 97, 99, 105	316-096D	49, 53
0.132.7106.00	117	142.283.2489821	81, 105			318-005H	31
0.132.7107.00	109, 111, 113, 119, 121	142.286.2499821	81, 105	180.019.340	61, 65, 87, 91	318-006H	29, 31
0.139.7100.00	109, 111, 113, 117, 119, 121	142.287.2179821	81, 105	186562	127, 135, 137	318-008H	35
0.139.7101.00	109, 111, 113, 117, 119, 121	1422831989821	79, 103	19-15121	69, 71	318-018H	139
0.227.0301.00	109, 111, 113, 117, 119, 121	1422871039821	79, 103	19-15135	69, 95	318-053L	29, 31
0.227.1301.00	109, 111, 113, 117, 119, 121	146.264.024.1	63, 65, 73, 89, 91, 97	190.000.016	61, 63, 65, 87, 89, 91	318-107D	49, 53
0.227.2001.00	109, 111, 113, 117, 119, 121	146.264.082.1	61, 87	190.000.018	61, 87	318-357H	33
0.227.3002.00	109, 111, 113, 119, 121	146.284.020.1	75, 79, 81, 99, 103, 105	190.000.032	65, 91	318-358H	23
0.227.3003.00	117	148000	129, 131, 137	190.000.035	81, 105	318-441D	15
0.227.5002.00	117	150.281.5257810	81, 105	190.000.047	65, 81, 91, 105	318-476D	49, 53
0.227.5004.00	113	151.016.028.1	61, 87	190.000.098	61, 81, 87, 105	318-478D	51, 55
0.227.6000.00	109, 111, 119, 121	151.016.029.1	61, 87	190.000.099	61, 81, 87, 105	318-556H	29
0.227.6002.00	113, 117	151.016.031.1	63, 89	190.000.243	79, 81, 103, 105	318-586A	7, 9
0.227.7100.00	113	151.016.037.1	61, 65, 73, 87, 91, 97	190.000.271	81, 105	318-746D	11
0.252.7525.00	109, 111, 113, 117, 119, 121	151.016.896.1	65, 91	190.000.371	61, 87	318-834H	23
0.285.7510.00	109, 111, 113, 119, 121	151.018.016.1	75, 81, 99, 105	190.000.919	61, 87	321256	93
0.305.0300.01	107, 115	151.018.228.1	61, 65, 73, 75, 81, 87, 91, 97, 99, 105	190.000.920	81, 105	325027	67, 93
0.305.1300.00	107, 115	151.018.241.1	79, 81, 103, 105	190131	131	330-223H	29, 31
0.305.2000.00	107, 115	151.018.242.1	81, 105	190188	131	330-225A	31
0.305.3000.00	107, 115	152.170.3897810	61, 87	191800	59, 85	330-271H	23, 25, 27, 33
0.305.5006.00	107, 115	1522805477810	79, 103	194016	131	330-321H	33
0.305.6003.00	107, 115	153.160.720	61, 87	197066	131	330-332A	33
019519	57, 83	155.150.726	63, 65, 89, 91	199141	131	330-333A	23
020452	77, 101	159.280.207	81, 105	199157	131	330-334A	29
020467	77, 101	165.000.548	61, 65, 73, 75, 81, 87, 91, 97, 99, 105	1A1141	123	330-335A	21
020617	57, 59, 83, 85	166.000.589	61, 63, 65, 73, 75, 79, 81, 87, 89, 91, 97, 99, 103, 105	1D0009-1450	123	330-340D	147
03-15316	69, 71, 95	168556	77, 101	1D0205-1662	123	330-348H	21
03-15570	69, 71, 95	170.016.630.1	63, 65, 89, 91	1D1013-5	123	330-428D	53
04-011	109, 111, 113, 117, 119, 121	180.014.022	61, 65, 73, 75, 81, 87, 91, 97, 99, 105	1D1159-7	123	330-430D	55
044321	59, 67, 85, 93	180.014.240	61, 79, 81, 87, 103, 105	1D1224-7	123	330-434D	55
087276	59, 67, 85, 93	180.016.025	79, 103	1D1401-350	123	330-445D	49
097133	67, 93	180.016.130	63, 89	1D1551-16300	123	330-446D	49
097140	67, 93	180.016.130	63, 89	1M6010	125	330-447D	51
11-14988	69, 95	180.016.237	61, 87	200-001D	43, 45, 47	330-448D	49
11-15180	69, 95	180.016.238	61, 87	235005	127, 131, 137	330-449D	51
11-80005	69, 95	180.016.316	61, 87	258821	129	330-460H	17
121.026.1369.01	61, 87	180.016.780	65, 91	258827	131	330-522D	15
121.026.1370.01	61, 87	180.016.790	61, 81, 87, 105	26-15120	69, 71, 95	330-526D	15
122.580.026.1	79, 103	180.016.898	61, 87	26-16033	69, 71, 95	330-528D	15
122.580.512.1	79, 103	180.018.004	79, 103	292675	135	330-529D	15
123.360.505.01	61, 87	180.018.251	79, 81, 103, 105	294719	135	330-563D	23
123.386.184.01	81, 105	180.018.252	79, 81, 103, 105	294727	127	330-564D	23
123.460.1057.01	61, 87	180.018.393	79, 81, 103, 105	294737	137	330-567D	139
123.486.338.01	81, 105	180.018.435	81, 105	2A0006	125	330-567H	39, 41
13-10021	71	180.018.437	79, 81, 103, 105	2A0012	125	330-609S	39, 41
13-10022	71	180.018.581	81, 105	2A0016	125	330-615S	41
13-15249	71	180.019.014	61, 65, 73, 75, 81, 87, 91, 97, 99, 105	2A0024	125	330-616H	41
130556	127			2A0079-616	123	330-648S	33
130560	129, 131, 135, 137			2A0132	125	330-661D	11
134953	135			2A0208	125	330-662D	11
135995	135			2A0235-6	123	330-759H	11
141.026.357.1	61, 63, 65, 87, 89, 91			2A0236-9	123	330-759H81	11
141.028.195.1	79, 81, 103, 105			2A0308-1	123	330-759H82	11
142.260.5207621	61, 87			2A0581-1725	123	330-759H83	11
142.266.3027621	61, 87			2M5418	125	330-761H	15
				301.005	77, 101	330-761H81	15
				304011	67, 93	330-761H82	15
				304046	67, 93	330-761H83	15
				304263	57, 83	330-762H	15
				312-075D	7, 9	330-762H81	15
				312-082D	7, 9	330-762H82	15
				312-089D	7, 9	330-762H83	15
				312-737D	51, 55	330-763H	39
				312-808D	7, 9	330-779S	147
				312-942D	51, 55	330-788H	139
				312209	67, 93	330-794H	41
				312410	57, 59, 83, 85	330-796H	7, 9



## Table of Contents    Part Number Index



# Part Number Index (continued)

Part Number	Page	Part Number	Page	Part Number	Page	Part Number	Page
330-801H	11	355155	59, 67, 85, 93	8.1.1.00054	109, 111, 113,	802-900C	11
330-802H	11	356905	59, 85		117, 119, 121	803-013C	17, 19
330-803K	35	356906	59, 85	8.1.1.00109	107, 115	803-014C	19
330-804H	35	359471	59, 85	8.2.2.00555	109, 111, 113,	803-019C	39, 41, 45, 47,
330-806L	15	359474	93		117, 119, 121		147
330-807H	15	362428	93	8.4.7.00146	109, 111, 113,	803-020C	19, 127, 129, 135
330-810K	53	362430	67		117, 119, 121	803-022C	131, 137
330-812K	55	364915	67, 93	8.4.7.02265	109, 111, 113,	803-029C	43, 45, 47
330-813K	53	365305	59, 67, 85, 93		117, 119, 121	803-030C	33, 139
330-814K	53	377336	59, 85	8.5.1.01084	109, 111, 113,	803-031C	19, 33
330-815K	55	377437	67, 93		117, 119, 121	803-037C	11, 21, 23, 29,
330-817A	53	377442	93	8.5.2.00332	109, 111, 113,		31, 33, 139
330-818A	49	380371	59, 67, 85, 93		117, 119, 121	803-075C	35
330-819A	55	387768	67	8.5.2.01772	107, 115	803-078C	37, 145
330-820A	51	388957	93	8.6.5.00006	109, 111, 113,	803-123C	15
330-835D	15	389850	93		117, 119, 121	803-147C	11
330-873H	11	39-10039	71	8.6.5.00203	109, 111, 113,	803-168C	11, 17, 19, 23
330-873H81	11	390257	93		117, 119, 121	803-169C	39, 41
330-873H82	11	391350	77, 101	8.6.6.00088	107, 115	803-170C	7, 9
330-873H83	11	391351	77, 101	8.6.6.00201	107, 115	803-177C	11
330-874H	15	391409	67	8.7.1.01107	109, 111, 113,	803-181C	23
330-874H81	15	391410	67		117, 119, 121	803-198C	15, 49, 51, 53, 55
330-874H82	15	391567	77, 101	8.7.1.02348	107, 109, 111,	803-201C	25, 27
330-874H83	15	396674	57, 59, 77, 83,		113, 115, 117,	803-209C	11, 37, 145
330-875H	15		85, 101		119, 121	803-255C	11, 37, 145
330-875H81	15	396795	57, 83	800-001C	19, 23, 25, 27, 41	803-258C	23, 25, 27, 29,
330-875H82	15	397991	59, 85	800-060C	37, 145		31, 33
330-875H83	15	399863	57, 83	800-073C	39, 41	803-263C	11
330-876S	139	399943	59, 85	800-080C	17, 33, 43, 45, 47	803-265C	35
330-882K	49	399944	59, 85	800-117C	133	803-280C	77, 101
330-884K	49	3M5410	125	801-023C	135	803-299C	11, 15
330-885K	49	464264	127	801-229C	41	803-301C	23, 25, 27, 33
330-886K	51	464265	135	802-005C	11	803-304C	21, 23, 25, 27,
330-887K	51	464266	137	802-007C	11, 15		29, 31, 33
330-938K	39, 41, 43	491742	129	802-015C	37, 49, 51, 53,	803-310C	43, 45, 47
330-965D	37, 145	491802	131		55, 145	803-381C	39, 41
330-966D	37, 145	492180	127	802-022C	15	804-007C	11, 37, 145
330-967D	37, 145	492278	127, 135	802-027C	37, 145	804-009C	11, 15
330-969H	41	492282	129	802-053C	21, 23, 25, 27,	804-010C	11, 15
330-974K	23	492338	137		29, 31, 33	804-011C	19
330-975H	23	492342	131	802-058C	11	804-013C	19, 25, 27
330-982H	139	492650	127	802-065C	11, 15	804-015C	19
331-046H	11	492652	129, 135, 137	802-070C	23	804-016C	39, 41, 147
331-047H	11	492660	127	802-074C	23, 33	804-017C	11
331-087D	19	492661	127	802-075C	25, 27	804-025C	23, 29, 31, 35
331-088D	19	492662	137	802-079C	25, 27	804-027C	19, 139
331-089D	19	492664	137	802-082C	21, 23, 29, 31,	804-028C	17, 19, 23, 33
331-120H	15	492670	135		33, 39, 41	804-029C	11, 19, 139
331-168H	39, 41	492700	135, 137	802-091C	11	804-036C	11
331-169S	39, 41	492721	129	802-096C	17, 19	804-055C	43, 45, 47
331-211H	33	492833	131	802-099C	39, 41, 45, 47	804-147C	7, 9
331-471S	37, 145	492870	129, 131	802-106C	19, 139	804-171C	23, 27, 33
331-472S	37, 145	493830	131	802-143C	17, 19	805-045C	29, 31
331-496S	41, 45	494383	129	802-155C	15, 19	805-058C	39, 41
331-543D	25, 27	494404	131	802-205C	23, 33	805-083C	29, 31, 35
331-561H	19	4M5102	125	802-224C	37, 145	805-088C	139
331-629H	19	4M5108	125	802-235C	23	805-104C	11, 139
331053	59, 85	55051-1817	69, 95	802-277C	7, 9	805-105C	23, 25, 27, 33
333645	67	5M5120	125	802-287C	11	805-109C	35
334-045A	25, 27	639558	135	802-314C	11	805-131C	11, 139
334-046H	25, 27	639560	137	802-318C	37, 145	805-246C	43, 45, 47
334-048H	25, 27	649206	129	802-377C	11	805-249C	19
334-465H	41	68810-1003	69, 71	802-416C	41	805-292C	17
334-467S	41	68810-1004	95	802-456C	11	805-548C	19
334-565V	45, 47	6M5152	125	802-466C	15	807-023C	11
334-566S	39, 47	702352	67, 93	802-580C	147	807-073C	11
334-574M	37, 145	7M5320	125	802-594C	23	807-271C	11
334-581A	37, 145	8.0.9.00143	107, 109, 111,	802-729C	29	807-372C	41
334-593H	41		113, 115, 117,	802-754C	139	810-146C	123
334-594H	41		119, 121	802-779C	43, 45, 47	810-149C	125
339107	93			802-877C	29, 31		



# Part Number Index (continued)

Part Number	Page	Part Number	Page	Part Number	Page	Part Number	Page
810-362C	123, 125, 133, 139	821-067CGL	143	890-806C	29	Dwg 37508	65, 91
810-632C	133, 135, 139	821-067CQT	143	890-836C	25, 27	Dwg 37646	25
810-738C	127, 133, 139	821-067CTU	143	890-850C	25, 27, 33	Dwg 37671	37, 145
810-818C	139	821-070C	143	890-862C	23	Dwg 37676	43
810-831C	133, 137, 139	821-070CGL	143	891-177C	39, 41	Dwg 39222	35
810-838C	129, 133, 139	821-070CQT	143	891-522C	37, 145	Dwg 39277	19
811-088C	133	821-070CTU	143	891-523C	37, 145	Dwg 39286	27
811-142C	133	821-080C	143	891-524C	19	Dwg 70721	45, 47
811-238C	133	821-080CGL	143	891-529C	37, 145	Dwg 70893	61, 87
811-309C	133	821-080CQT	143	891-531C	37, 145	Dwg 70947	71
811-337C	133	821-080CTU	143	891-533C	37, 145	Dwg 72217	131
811-356C	133	822-020C	43, 45, 47	90-24406	95	dwg23958	75, 99
811-394C	133	822-021C	43, 45, 47	90-26654	71	J-37-A	37, 145
814-265C	147	822-033C	43, 45, 47	91-25023	69	J-37-R	37, 145
814-287C	147	822-034C	43, 45, 47	92-24406	69, 95	J-AC1-15-B	37, 145
814-449C	147	826-112C	11, 93	93-24406	95	N/A	7, 9, 17, 41, 77, 101, 123, 125, 127, 135, 137
814-450C	147	826-240C	15	93-25023	69, 71	N/A	19
814-451C	147	826-247C	11, 67	94-26654	71		
814-461C	147	826-494C	15, 79, 103	96-24406	69, 95		
814-673C	147	826-495C	11, 63, 89	97-24406	95		
815-242C	43, 45, 47	826-497C	11	97-25023	69		
815-243C	43, 45, 47	826-519C	12	98-24406	69, 95		
815-381C	41	826-587C	93	98-26654	71		
815-383C	39	826-603C	67	99-24406	69, 71, 95		
815-387C	41	826-643C	11, 95	A.709.500	107, 109, 111, 113, 115, 117, 119, 121		
815-491C	47	826-644C	11, 69	A.712.500	109, 111, 113, 117, 119, 121		
815-509C	45	826-700C	11, 15	Dwg 15704	123, 125		
816-481C	11	826-708C	12, 115	Dwg 18548	93		
816-497C	43	826-709C	12, 107	Dwg 23954	79, 103		
816-835C	45, 47	826-711C	12, 117	Dwg 23955	63, 89		
817-259C	11	826-712C	15, 109, 119	Dwg 23957	73, 97		
818-045C	141	826-713C	15, 111, 121	Dwg 26557	31		
818-130C	141	826-714C	12, 113	Dwg 26568	21		
818-142C	141	826-715C	11, 57, 83	Dwg 26569	23		
818-190C	141	826-716C	15, 59, 85	Dwg 26570	29		
818-229C	141	826-793C	11, 71	Dwg 26571	33		
818-230C	141	826-816C	15, 61, 87	Dwg 26869	67		
818-240C	141	826-819C	15, 81, 105	Dwg 27884	135		
818-276C	141	826-820C	11, 65, 91	Dwg 30185	95		
818-540C	57, 59, 67, 83, 85, 93	83-26656	71	Dwg 30187	69		
818-543C	141	837-101C	12, 15	Dwg 33230	137		
818-552C	59, 67, 85, 93, 141	838-094C	141	Dwg 33587	7		
818-555C	141	838-587C	141	Dwg 33588	9		
818-556C	141	838-588C	141	Dwg 33589	17		
818-561C	141	838-614C	141	Dwg 33590	39		
818-564C	141	838-615C	141	Dwg 33591	53		
818-830C	141	838-638C	141	Dwg 33592	49		
818-840C	141	838-959C	141	Dwg 33593	55		
82-26654	71	838-965C	141	Dwg 33594	51		
820-168C	7	840-273C	12, 15	Dwg 33595	141		
820-249C	9	841-605C	133	Dwg 33596	41		
821-011C	143	841-606C	133	Dwg 33804	139		
821-011CGL	143	841-654C	133	Dwg 33805	133		
821-011CQT	143	842-460C	27	Dwg 33806	115		
821-011CTU	143	848-122C	141	Dwg 33807	107		
821-054C	143	848-124C	141	Dwg 33808	117		
821-054CGL	143	848-774C	141	Dwg 33809	109, 119		
821-054CQT	143	848-775C	141	Dwg 33810	113		
821-054CTU	143	848-777C	141	Dwg 33811	111, 121		
821-058C	143	848-778C	141	Dwg 33829	11		
821-058CGL	143	848-797C	141	Dwg 33831	15		
821-058CQT	143	848-872C	141	Dwg 33832	57, 83		
821-058CTU	143	850-327C	131, 133, 139	Dwg 33833	59, 85		
821-066C	143	851-348C	127	Dwg 33879	77, 101		
821-066CGL	143	858-949C	141	Dwg 33905	127		
821-066CQT	143	890-005C	33, 41	Dwg 35033	129		
821-066CTU	143	890-175C	49, 53	Dwg 35672	147		
821-067C	143	890-182C	17, 19	Dwg 37507	81, 105		
		890-341C	49, 53				
		890-400C	51, 55				
		890-786C	17				

***This Page Intentionally Left Blank***



Great Plains Manufacturing, Inc.

Corporate Office: P.O. Box 5060  
Salina, Kansas 67402-5060 USA

[www.landpride.com](http://www.landpride.com)

---