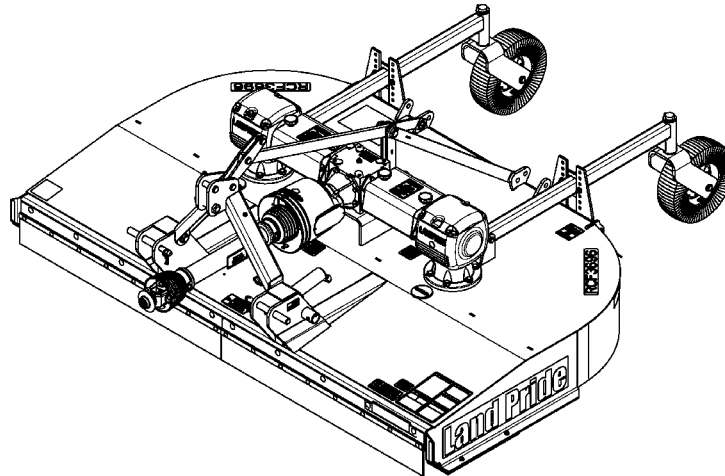
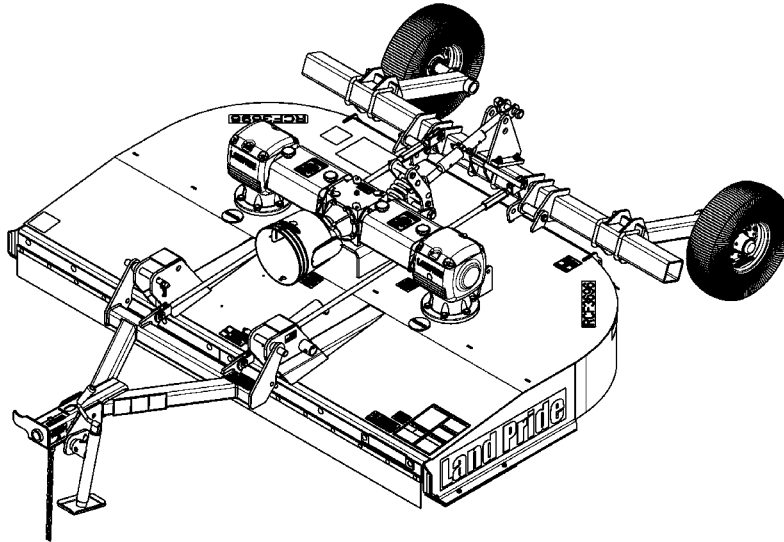


Rotary Cutter

RCF3696 & RCFM3696



33422

326-600P Parts Manual



Read the Operator's Manual entirely. When you see this symbol, the subsequent instructions and warnings are serious - follow without exception. Your life and the lives of others depend on it!

© Copyright 2020 Printed 07/17/20

Cover photo may show optional equipment not supplied with standard unit.





Table of Contents

Section 1: Introduction.....	4	Section 4: Blade Drive 540 RPM.....	70
Using This Manual.....	4	Blade Carrier CCW.....	70
Manual Replacement Information.....	4	Blade Carrier CW.....	72
Manual Revisions.....	4	Blade Drive 3-Point & Semi-Mount.....	74
Touch-up Paint.....	4	Blade Drive Pull Type W/ CV.....	76
Hardware Legend.....	5	Blade Drive Pull Type W/ Equal Angle.....	78
Replacement Hardware.....	5	Driveline (826-053C) Weasler.....	80
Serial Numbers.....	5	Driveline (826-881C) Comer.....	82
Part Number Service Coding.....	5	Driveline (826-889C) Comer.....	84
Section 2: Deck.....	6	Driveline Conv. Fixed Shaft Pull Type 540 RPM (826-151C) Eurocardan.....	86
Deck Components.....	6	Driveline CV Pull Type Cutter 540 RPM (826-053C) Walterscheid.....	88
Section 3: Hitch & Tail Wheel.....	8	Driveline Flex Coupler (826-224C) Eurocardan.....	90
Axle Lift Hydraulic or Manual 3-Point.....	8	Driveline Jackshaft (540 RPM) (826-256C) Eurocardan.....	92
Axle Lift Hydraulic or Manual Pull Type/Semi-Mount.....	10	Driveline Lift Type Cutter 540 RPM (826-255C) Eurocardan.....	94
Hitch 3-Point.....	12	Driveline Slip Clutch (1446137) Eurocardan.....	96
Hitch Pull Type Tounge S/N 1151135-.....	14	Driveline Slip Clutch 540/1000 RPM (1446016) EC.....	98
Hitch Pull Type Tounge S/N 1151136+.....	16	Driveline Stub Shaft Pull Type 540 RPM (826-225C) Eurocardan.....	100
Hub & Spindle Assembly (331-795L).....	18	Gearbox (826-718C).....	102
Hub Assembly (330-938K).....	20	Gearbox.....	104
Hydraulic Cylinder (810-384C) Cross.....	22	T-Box 540 RPM (826-356C) Comer.....	104
Hydraulic Cylinder (850-449C) Cross.....	24	Section 5: Guards.....	106
Performance Hitch.....	26	Chain Guard Dual Front.....	106
Swivel Hitch.....	28	Chain Guard Single Front.....	108
Tail Wheel 3-Point W/ 15" Lam. Tire.....	30	Guard Chain Dual Rear.....	110
Transport Axle 3-Point & Semi-Mount W/ 15" Lam. Tire.....	32	Guard Chain Single Rear.....	112
Transport Axle 3-Point & Semi-Mount W/ 21" Lam. Tire.....	34	Guard Rubber Front.....	114
Transport Axle Pull Type.....	36	Guard Rubber Rear.....	116
Section 4: Blade Drive 1000 RPM.....	38	Section 6: Decals.....	118
Blade Carrier CCW.....	38	Decal Placement 3-Point.....	118
Blade Carrier CW.....	40	Decal Placement Pull Type.....	120
Blade Drive 3-Point & Semi-Mount.....	42	Touch-up Paints - LP.....	122
Blade Drive Pull Type W/ CV.....	44	Part Number Index.....	124
Blade Drive Pull Type W/ Equal Angle.....	46		
Driveline CV Pull Type Cutter 1000 RPM (826-063C) Walterscheid.....	48		
Driveline Flex Coupler (826-224C) Eurocardan.....	50		
Driveline Jackshaft (1000 RPM) (826-259C) Eurocardan.....	52		
Driveline Lift Type Cutter 1000 RPM (826-258C) Eurocardan.....	54		
Driveline Pull Type Conv. 1000 RPM (826-223C) Eurocardan.....	56		
Driveline Slip Clutch (1406128) EC.....	58		
Driveline Slip Clutch 1000 RPM (1406116) Eurocardan.....	60		
Driveline Slip Clutch 540/1000 RPM (1446016) EC.....	62		
Driveline Stub Shaft Pull Type 1000 RPM (826-226C) Eurocardan.....	64		
Gearbox (826-424C) Comer.....	66		
Gearbox (826-718C).....	68		

© Copyright 2020. All rights reserved.

Land Pride provides this publication "as is" without warranty of any kind, either expressed or implied. While every precaution has been taken in the preparation of this manual, Land Pride assumes no responsibility for errors or omissions. Neither is any liability assumed for damages resulting from the use of the information contained herein. Land Pride reserves the right to revise and improve its products as it sees fit. This publication describes the state of this product at the time of its publication, and may not reflect the product in the future. The illustrations in this manual are not intended for safe and proper assembly or disassembly of equipment. The illustrations are intended for ordering parts only.

Land Pride is registered trademark.

All other brands and product names are trademarks or registered trademarks of their respective holders.

Printed in the United States of America.



Alphabetized Table of Contents

A	Axle Lift Hydraulic or Manual 3-Point.....8 Axle Lift Hydraulic or Manual Pull Type/Semi-Mount.... 10	G	Gearbox (826-424C) Comer.....66 Gearbox (826-718C).....68 Gearbox (826-718C).....102 Gearbox, T-Box 540 RPM (826-356C) Comer.....104 Guard Chain Dual Rear.....110 Guard Chain Single Rear.....112 Guard Rubber Front.....114 Guard Rubber Rear.....116
B	Blade Carrier CCW.....38 Blade Carrier CW.....70 Blade Carrier CW.....40 Blade Carrier CW.....72 Blade Drive 3-Point & Semi-Mount.....42 Blade Drive 3-Point & Semi-Mount.....74 Blade Drive Pull Type W/ CV.....44 Blade Drive Pull Type W/ CV.....76 Blade Drive Pull Type W/ Equal Angle.....46 Blade Drive Pull Type W/ Equal Angle.....78	H	Hitch 3-Point.....12 Hitch Pull Type Tounge S/N 1151135-.....14 Hitch Pull Type Tounge S/N 1151136+.....16 Hub & Spindle Assembly (331-795L).....18 Hub Assembly (330-938K).....20 Hydraulic Cylinder (810-384C) Cross.....22 Hydraulic Cylinder (850-449C) Cross.....24
C	Chain Guard Dual Front.....106 Chain Guard Single Front.....108	P	Performance Hitch.....26
D	Decal Placement 3-Point.....118 Decal Placement Pull Type.....120 Deck Components.....6 Driveline (826-053C) Weasler.....80 Driveline (826-881C) Comer.....82 Driveline (826-889C) Comer.....84 Driveline Conv. Fixed Shaft Pull Type 540 RPM (826-151C) Eurocardan.....86 Driveline CV Pull Type Cutter 1000 RPM (826-063C) Walterscheid.....48 Driveline CV Pull Type Cutter 540 RPM (826-053C) Walterscheid.....88 Driveline Flex Coupler (826-224C) Eurocardan.....50 Driveline Flex Coupler (826-224C) Eurocardan.....90 Driveline Jackshaft (1000 RPM) (826-259C) Eurocardan.....52 Driveline Jackshaft (540 RPM) (826-256C) Eurocardan.....92 Driveline Lift Type Cutter 1000 RPM (826-258C) Eurocardan.....54 Driveline Lift Type Cutter 540 RPM (826-255C) Eurocardan.....94 Driveline Pull Type Conv. 1000 RPM (826-223C) Eurocardan.....56 Driveline Slip Clutch (1406128) EC.....58 Driveline Slip Clutch (1446137) Eurocardan.....96 Driveline Slip Clutch 1000 RPM (1406116) Eurocardan.....60 Driveline Slip Clutch 540/1000 RPM (1446016) EC.....62 Driveline Slip Clutch 540/1000 RPM (1446016) EC.....98 Driveline Stub Shaft Pull Type 1000 RPM (826-226C) Eurocardan.....64 Driveline Stub Shaft Pull Type 540 RPM (826-225C) Eurocardan.....100	S	Swivel Hitch.....28
		T	Tail Wheel 3-Point W/ 15" Lam. Tire.....30 Touch-up Paints - LP.....122 Transport Axle 3-Point & Semi-Mount W/ 15" Lam. Tire.....32 Transport Axle 3-Point & Semi-Mount W/ 21" Lam. Tire.....34 Transport Axle Pull Type.....36

General Information

Using This Manual

This manual is divided into sections. The first section contains General Information. The remaining sections divide the machine into segments (i.e. Frames, Drives, Hydraulics, etc.) which illustrate and list all parts. A Parts Number Index is located at the back of the book.

The Land Pride parts in this manual are specially designed for this machine and should be replaced with Land Pride parts only.

The information in this manual is current at time of printing. Some parts may change to assure top performance.

Right-hand and left-hand as used in this manual are determined by facing the direction the machine will travel while in use.

Below is an example of two facing pages from a parts manual. Familiarize yourself with the type of information contained on these pages.

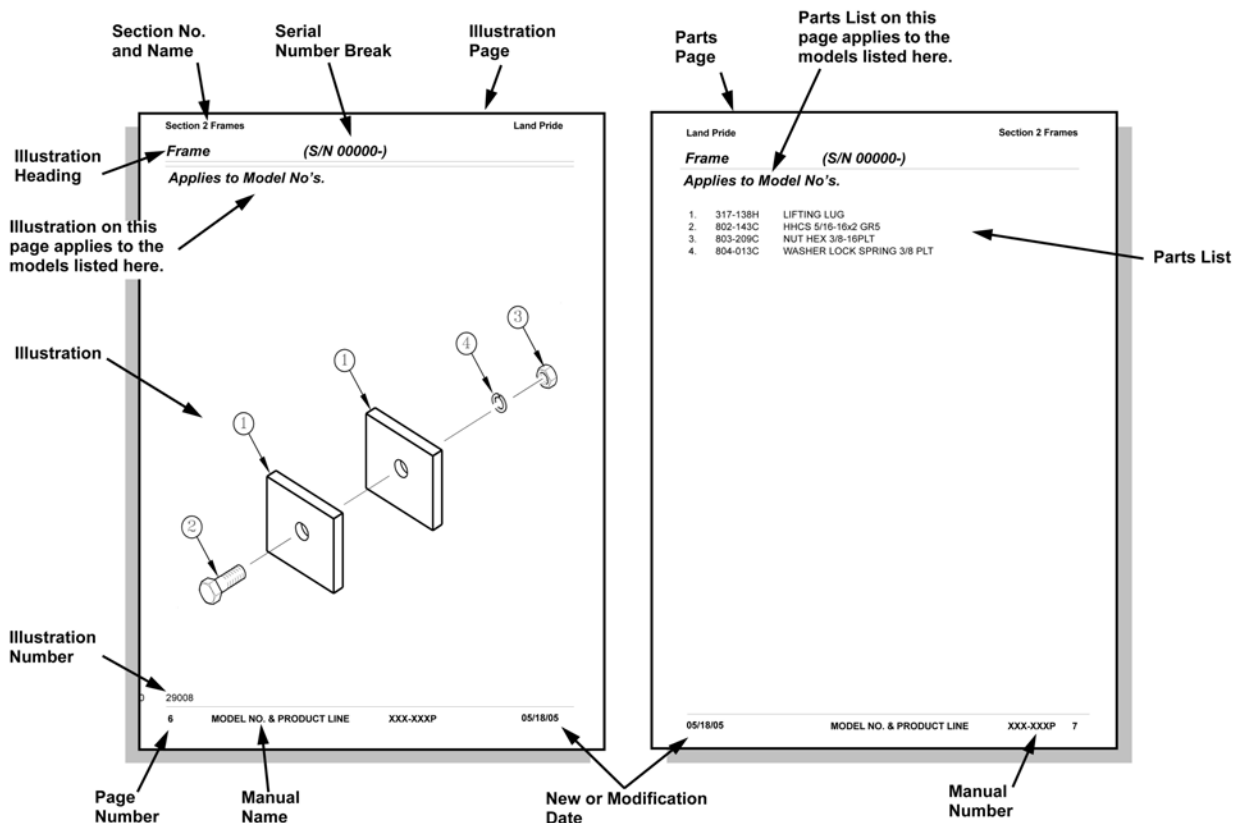
Manual Replacement Information

Replacement manuals are available. Refer to our website at www.landpride.com or e-mail us at lit@landpride.com for additional information. Our website continues to provide the most up-to-date manuals available.

Touch-up Paint

Repaint parts where paint is worn or scratched to prevent rust. Aerosol cans and touch-up bottles with brush applicator are available through your local dealer. Also available are quart and gallon size paints. Add QT or GL to end of the Aerosol P/N.

Land Pride color descriptions and part numbers are listed on the "Land Pride Touch-up Paints" page in the "Decals" section of this book. Color options vary by product.



General Information

Hardware Legend

AR	As Required
BLADE	Blade Bolt
C	Cap Screw
CP	Cotter Pin
CPHSSS	Cup Point Hex Socket Set Screw
CPSHSS	Cup Point Square Head Set Screw
CPSQHSS	Cup Point Square Head Set Screw
CRFCHMS3	Cross Recess Flat Countersunk Head Machine Screw
CRPHMS	Cross Recess Pan Head Machine Screw
CRPHTF	Cross Recess Pan Head Thread Forming
CRRHMS	Cross Recess Round Head Machine Screw
CRTHMS	Cross Recess Truss Head Machine Screw
CSNB	Countersunk Square Neck Bolt
FHMS	Flat Head Machine Screw
FTC	Full Thread Cap Screw
H	Hex Nut
HCLN	Hex Center Lock Nut
HFLCS	Hex Flange Lock Cap Screw
HFS	Hex Flange Screw
HFSLN	Hex Flange Serrated Lock Nut
HFSS	Hex Flange Serrated Screw
HHCS	Hex Head Cap Screw or Metric Bolt
HSBHCS	Hex Socket Button Head Cap Screw
HSFCHCS	Hex Socket Flat Countersunk Head Cap Screw
HSHCS	Hex Socket Head Cap Screw
HSSS	Hex Socket Head Screw
HTLN	Hex Top Lock Nut
HWHCS	Hex Washer Head Cap Screw

HWHMS	Hex Washer Head Machine Screw
HXBHCS	Hex Socket Button Head Cap Screw
J	Hex Jam Nut
JIC	37 Degree Tapered Thread
L	Helical Spring Lock Washer
LUG	Lug Bolt
NFC	National Fine Cap Screw
NPSM	National Pipe Straight Mechanical
NPTF	National Pipe Taper Fuel
P	Wide Plain Washer
PHMS	Pan Head Machine Screw
PLOW	Plow Bolt
RHMS	Round Head Machine Screw
RHSNB	Round Head Square Neck Bolt
SCREW LEVELING	Leveling Screw
SCREW THUMB	Thumb Screw
SCREW WELD	Weld Screw
SFCHMS	Slotted Flat Countersunk Head Machine Screw
SFHMS	Slotted Fillister Head Machine Screw
SP	Special
SP SCREW	Special Screw
SQHSS	Square Head Set Screw
SRHMS	Slotted Round Head Machine Screw
SSS	Socket Set Screw
STCS	Self Tapping Cap Screw
STHMS	Slotted Truss Head Machine Screw
WHEEL	Wheel Studs and Hub Long Bolts
WING	Wing Bolt

Replacement Hardware

The **Hardware Legend** above lists hardware abbreviations used in the parts list. All bolts and nuts are Grade 5 unless otherwise noted. The use of improper grades of hardware can result in personal injury, damage to equipment, or loss of property.

Colored Replacement Parts

Land Pride offers replacement parts in factory standard colors and also on select models in Green, Orange, Red and Blue. Because of the variety of colors available, special attention must be given to the part number to prevent ordering the wrong replacement part.

A suffix number corresponding to one of the colors below must be added at the end of Land Pride's part number when ordering a replacement part with that color.

81 Green 83 Red
82 Orange 84 Blue

For example, if you are ordering a replacement part with part number 555-555C and the part you need is red, then add the suffix 83 to the end of the number to make the part number read 555-555C83. Parts ordered without a suffix number will be supplied in factory standard colors.

Black Replacement Parts

Some parts are factory standard black and some must be special ordered black. If your part is special ordered black, a second part number with the additional suffix number 85 on the end will be available. In this situation you must order that part with the suffix number for it to be black. Parts that are factory standard black will not have the suffix number.

Part Number Service Coding

Within the parts list some part numbers are coded for revisions and interchangeability. See notations in revision column.

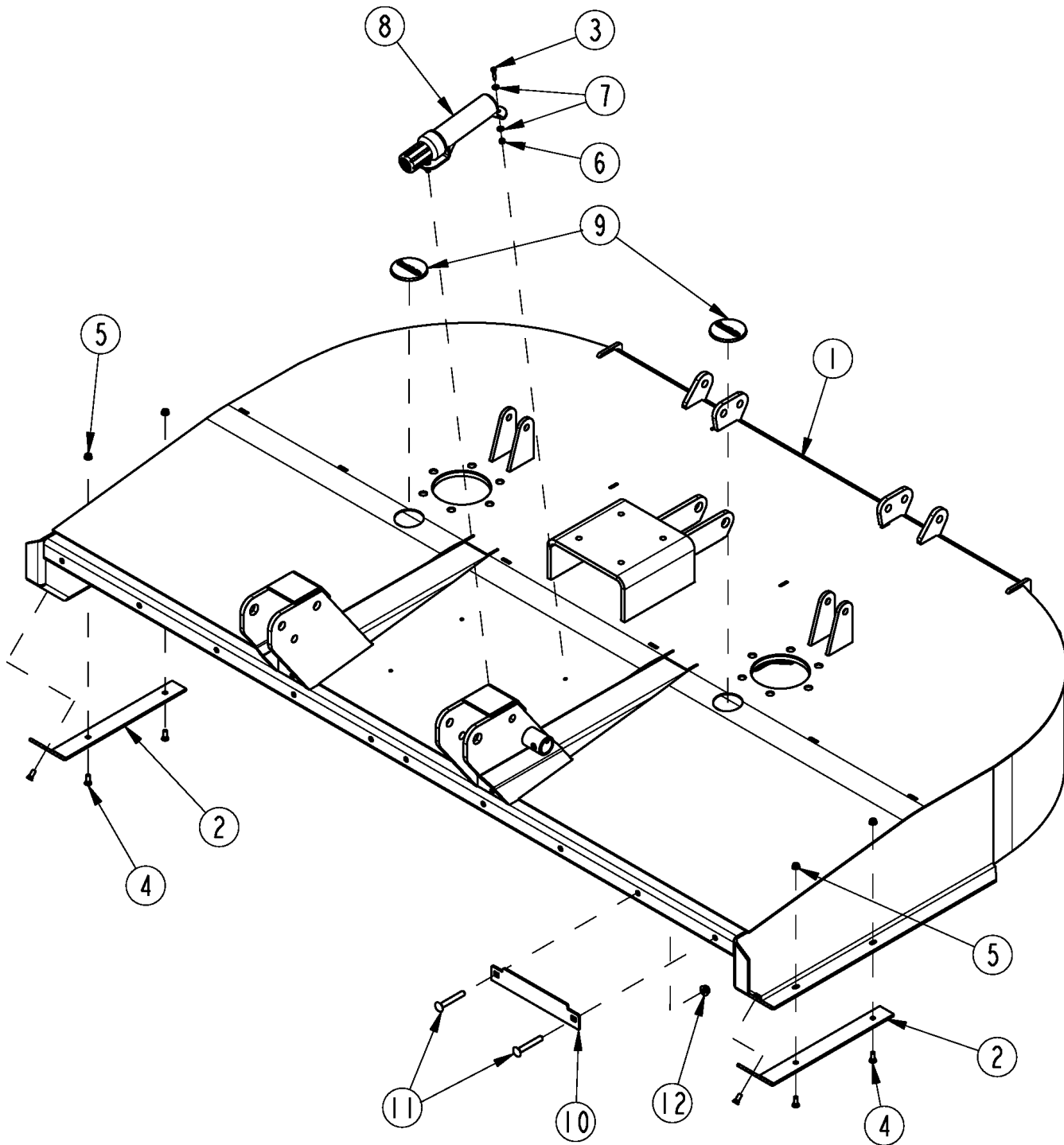
Serial Numbers

Always use the serial and model number when ordering parts. Refer to the Operator's Manual for serial number plate location.

- (S/N 20001+) Includes serial numbers 20001 and above (to the latest number)
- (S/N 10001 to 20000) Includes serial numbers between and including 10001 and 20000
- (S/N 10000-) Includes serial numbers 10000 and below (to the earliest number)

Deck Components

Applies to RCF3696, RCFM3696



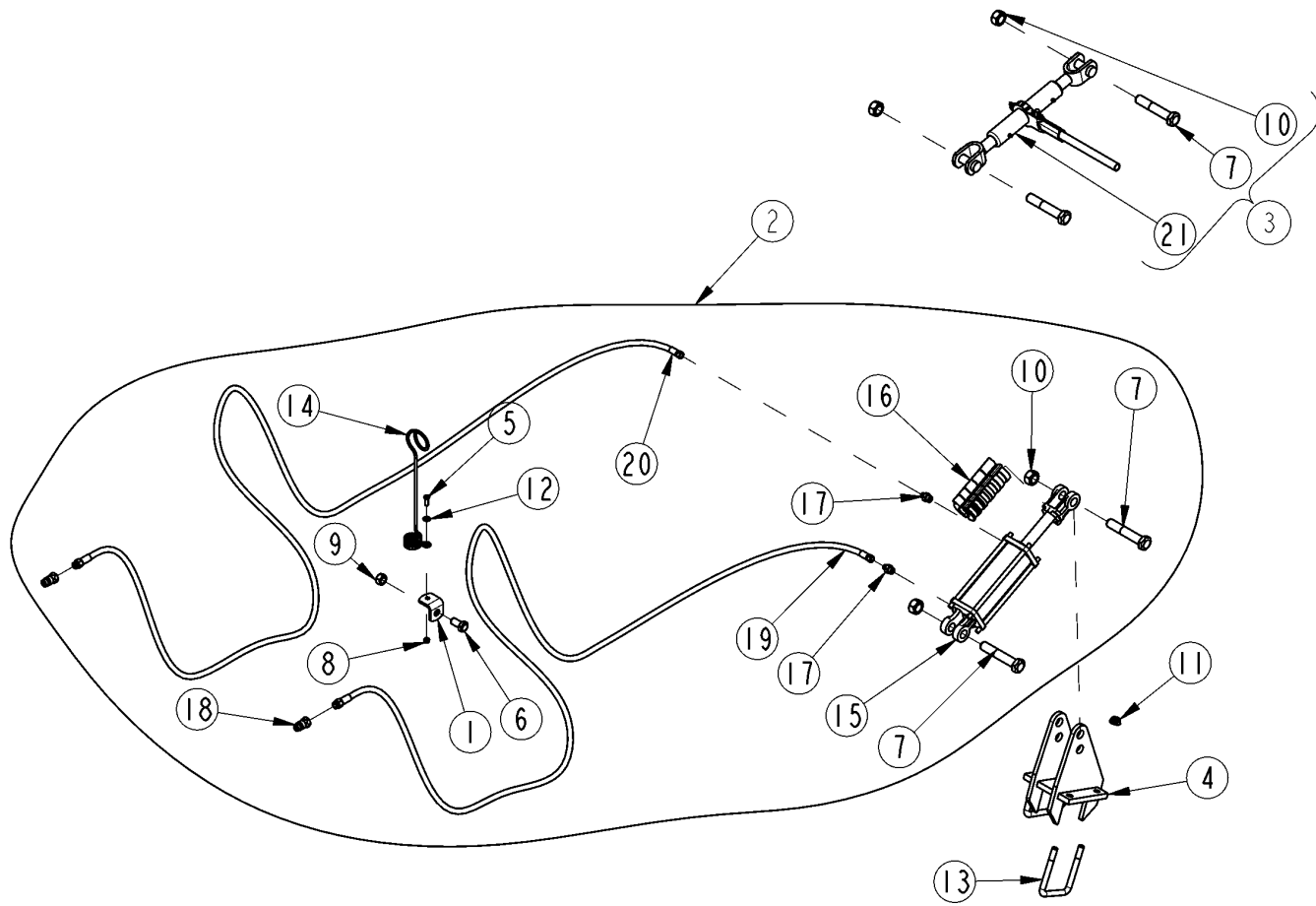
33423

Deck Components**Applies to RCF3696, RCFM3696**

Ref	Part No.	Part Description	Comments	Revision
	Dwg 33423	Drawing Image Number		
1.	326-428H	3696 DECK WELDMENT		
1.	326-428h81	3696 DECK WELDMENT GREEN		
1.	326-428h82	3696 DECK WELDMENT ORANGE		
1.	326-428h83	3696 DECK WELDMENT RED		
2.	326-479D	SKID SHOE		
3.	802-224C	HHCS 1/4-20X1 1/4 GR5		
4.	802-603C	PLOW 3/8-16X1 GR5		
5.	803-198C	NUT HEX WHIZ 3/8-16 PLT		
6.	803-255C	NUT HEX NYLOCK 1/4-20		
7.	804-007C	WASHER FLAT 1/4 SAE PLT		
8.	816-504C	MANUAL STORAGE CONTAINER		
9.	840-273C	PLUG LP 3" ID RUBBER		
10.	332-014D	RCF REFLECTOR BRACKET	S/N 813017+	
11.	802-585C	RHSNB 1/2-13X3 1/2 GR5 PLT	S/N 813017+	
12.	803-037C	NUT HEX WHIZ 1/2-13 PLT	S/N 813017+	

Axle Lift Hydraulic or Manual 3-Point

Applies to RCF3696, RCFM3696

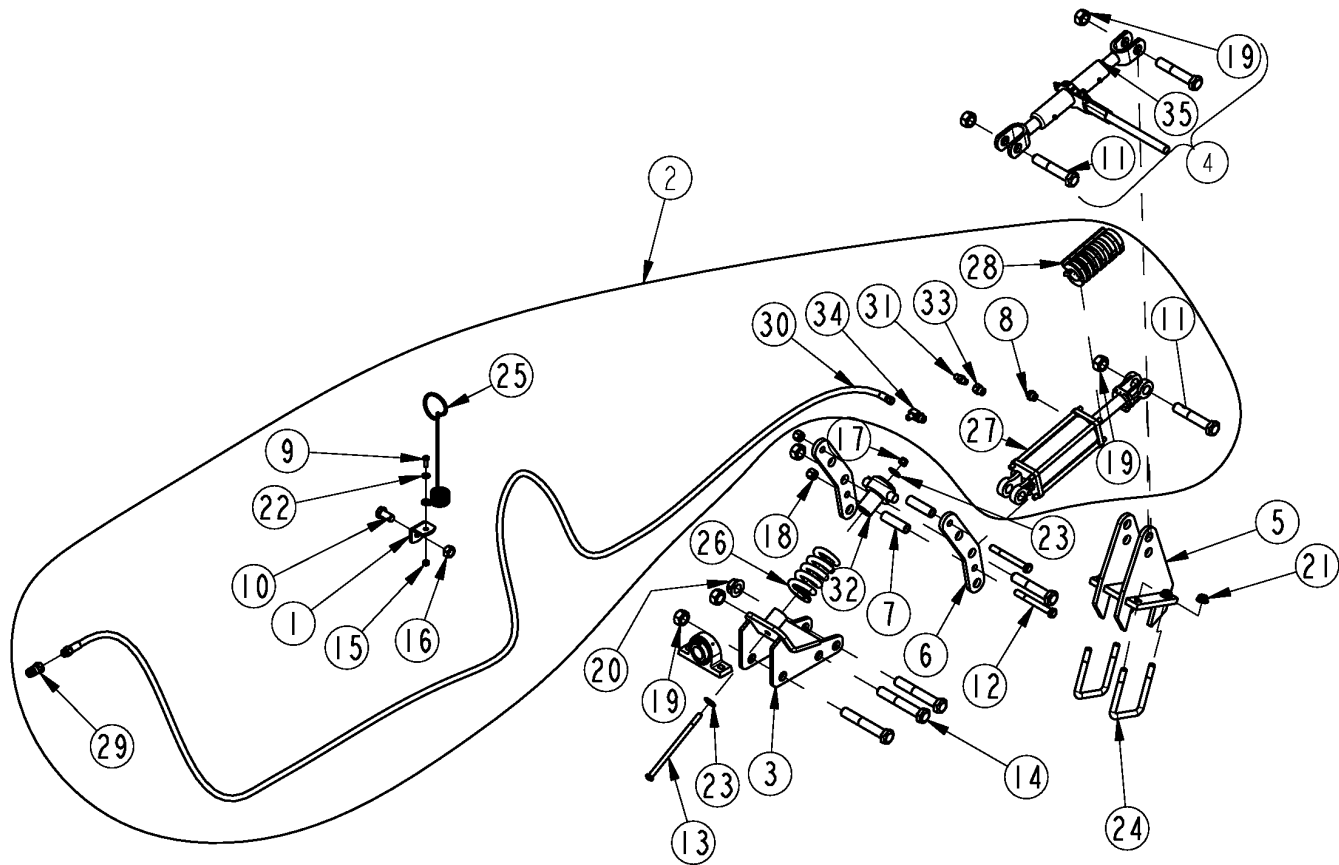


Axle Lift Hydraulic or Manual 3-Point**Applies to RCF3696, RCFM3696**

Ref	Part No.	Part Description	Comments	Revision
	Dwg 35175	Drawing Image Number		
1.	312-729D	HOSE HOLDER BRACKET		
2.	326-494A	HYDRAULIC LIFT - 3-PNT		
3.	326-508A	RATCHET JACK BUNDLE		
4.	326-564H	AXLE LUG 96"	15" Laminated Tire	
4.	326-500H	AXLE LUG	21" Laminated Tire	
5.	802-017C	HHCS 3/8-16X1 GR5		
6.	802-184C	HHCS 3/4-10X1 1/2 GR5		
7.	802-205C	HHCS 1-8X5 1/2 GR5		
8.	803-013C	NUT LOCK 3/8-16 PLT		
9.	803-026C	NUT LOCK 3/4-10 PLT		
10.	803-168C	NUT HEX TOP LOCK 1-8 PLT		
11.	803-263C	NUT HEX FLANGE LOCK 5/8-11 PLT		
12.	804-012C	WASHER FLAT 3/8 SAE PLT		
13.	806-184C	U-BOLT 5/8-11 X 4 1/32 X 5 1/2		
14.	807-023C	SPRING HOSE LOOP		
15.	850-449C	CYL 3X6X1.25 ROD (TIE ROD)	S/N 1506433+	
15.	810-384C	RPBY 850-449C	S/N 1506432-	
16.	810-818C	STRK CNTRL SPCRS 1.125 TO 1.50		
17.	811-133C	AD 9/16MJIC 3/4MORB		
18.	811-394C	CP 3/4FORB MALE QD POPPET TYPE		
19.	811-676C	HH3/8R1 144 3/4MORB 9/16FJIC		
20.	811-676C	HH3/8R1 144 3/4MORB 9/16FJIC		
21.	890-637C	RATCHET JACK 16.25 - 22.25		

Axle Lift Hydraulic or Manual Pull Type/Semi-Mount

Applies to RCF3696, RCFM3696



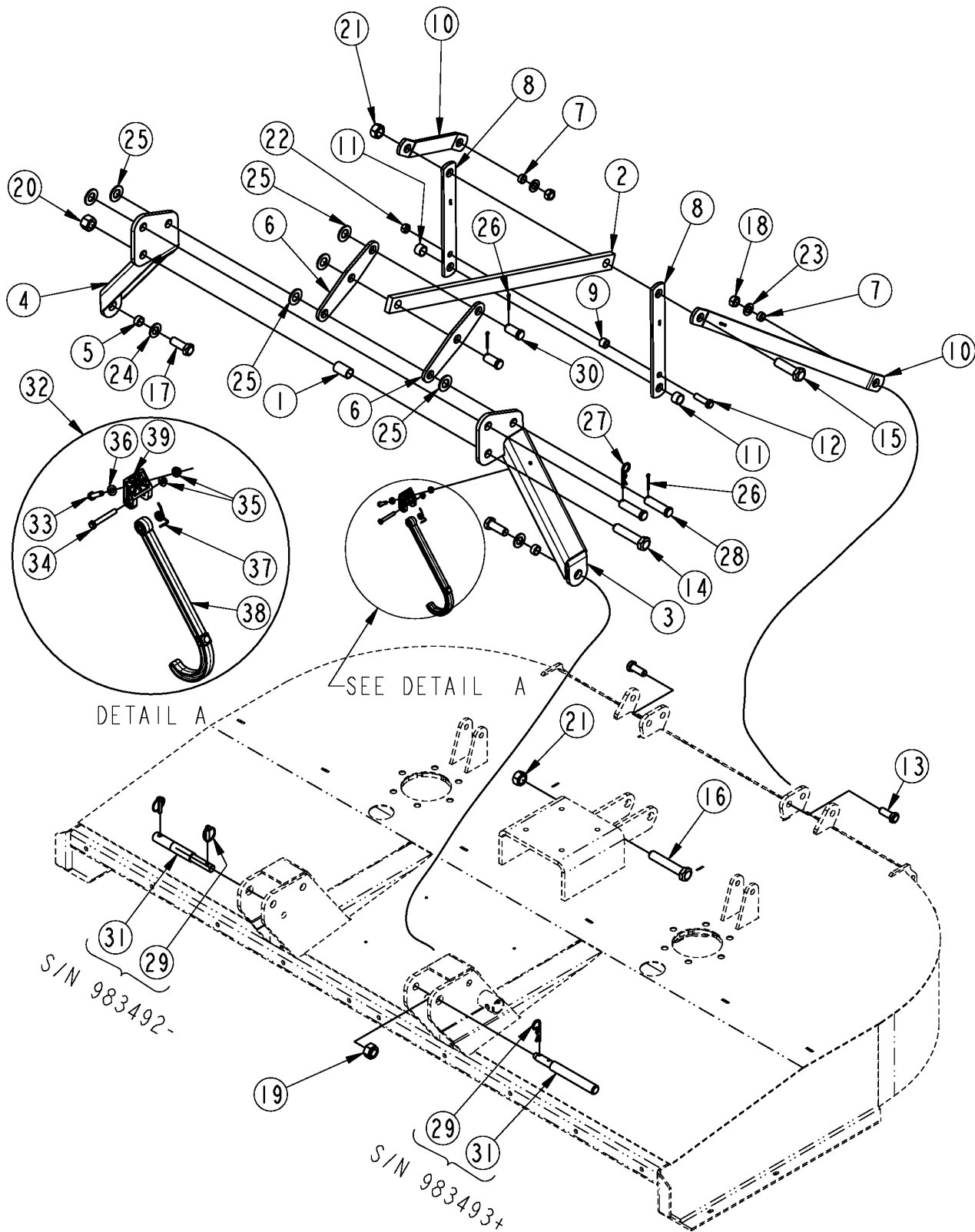
33453

Axle Lift Hydraulic or Manual Pull Type/Semi-Mount**Applies to RCF3696, RCFM3696**

Ref	Part No.	Part Description	Comments	Revision
	Dwg 33453	Drawing Image Number		
1.	312-729D	HOSE HOLDER BRACKET		
2.	326-491A	HYDRAULIC LIFT		
3.	326-492H	SPRING SHOCK	Semi Mount Unit	
3.	326-587H	SPRING SHOCK 10PT	Pull Type Unit	
4.	326-508A	RATCHET JACK BUNDLE		
5.	326-564H	AXLE LUG 96"		
6.	326-912D	TRUNNION ARM	Semi Mount Unit	
6.	326-988D	TRUNNION ARM 10PT	Pull Type Unit	
7.	330-294D	SPACER TRUNNION ARM		
8.	800-306C	FILL PLUG VENTED 3/4-16 PLT		
9.	802-017C	HHCS 3/8-16X1 GR5		
10.	802-184C	HHCS 3/4-10X1 1/2 GR5		
11.	802-205C	HHCS 1-8X5 1/2 GR5		
12.	802-254C	HHCS 5/8-11X5 1/2 GR5		
13.	802-269C	HHCS 1/2-13X9 GR5		
14.	802-762C	HHCS 1-8X6 1/2 GR8		
15.	803-013C	NUT LOCK 3/8-16 PLT		
16.	803-026C	NUT LOCK 3/4-10 PLT		
17.	803-147C	NUT HEX NYLOCK 1/2-13		
18.	803-148C	NUT HEX NYLOCK 5/8-11 PLT		
19.	803-168C	NUT HEX TOP LOCK 1-8 PLT		
20.	803-258C	NUT HEX FLG LOCK 1-8 GR B PLT	S/N _____ +	
20.	803-168C	NUT HEX TOP LOCK 1-8 PLT	S/N _____ -	
21.	803-263C	NUT HEX FLANGE LOCK 5/8-11 PLT		
22.	804-012C	WASHER FLAT 3/8 SAE PLT		
23.	804-017C	WASHER FLAT 1/2 USS PLT		
24.	806-184C	U-BOLT 5/8-11 X 4 1/32 X 5 1/2		
25.	807-023C	SPRING HOSE LOOP		
26.	807-271C	SPRING COMP 3.20OD .63W 5.5L		
27.	850-449C	CYL 3X6X1.25 ROD (TIE ROD)	S/N 1506433+	
27.	810-384C	RPBY 850-449C	S/N 1506432-	
28.	810-818C	STRK CNTRL SPCRS 1.125 TO 1.50		
29.	811-394C	CP 3/4FORB MALE QD POPPET TYPE		
30.	811-633C	HH3/8R1 162 3/4MORB 9/16 FJIC	S/N 749047+	
30.	811-676C	HH3/8R1 144 3/4MORB 9/16FJIC	S/N 749046-	
31.	811-694C	ORAD 1/32 9/16MORB 9/16MJIC	S/N 835072-	
32.	812-388C	SWIVEL CAST		
33.	841-103C	AD 3/4MORB 9/16FORB	S/N 835072-	
34.	841-284C	OREL 1/16 9/16MJIC 3/4MORB	S/N 835073+	
35.	890-637C	RATCHET JACK 16.25 - 22.25		

Hitch 3-Point

Applies to RCF3696, RCFM3696



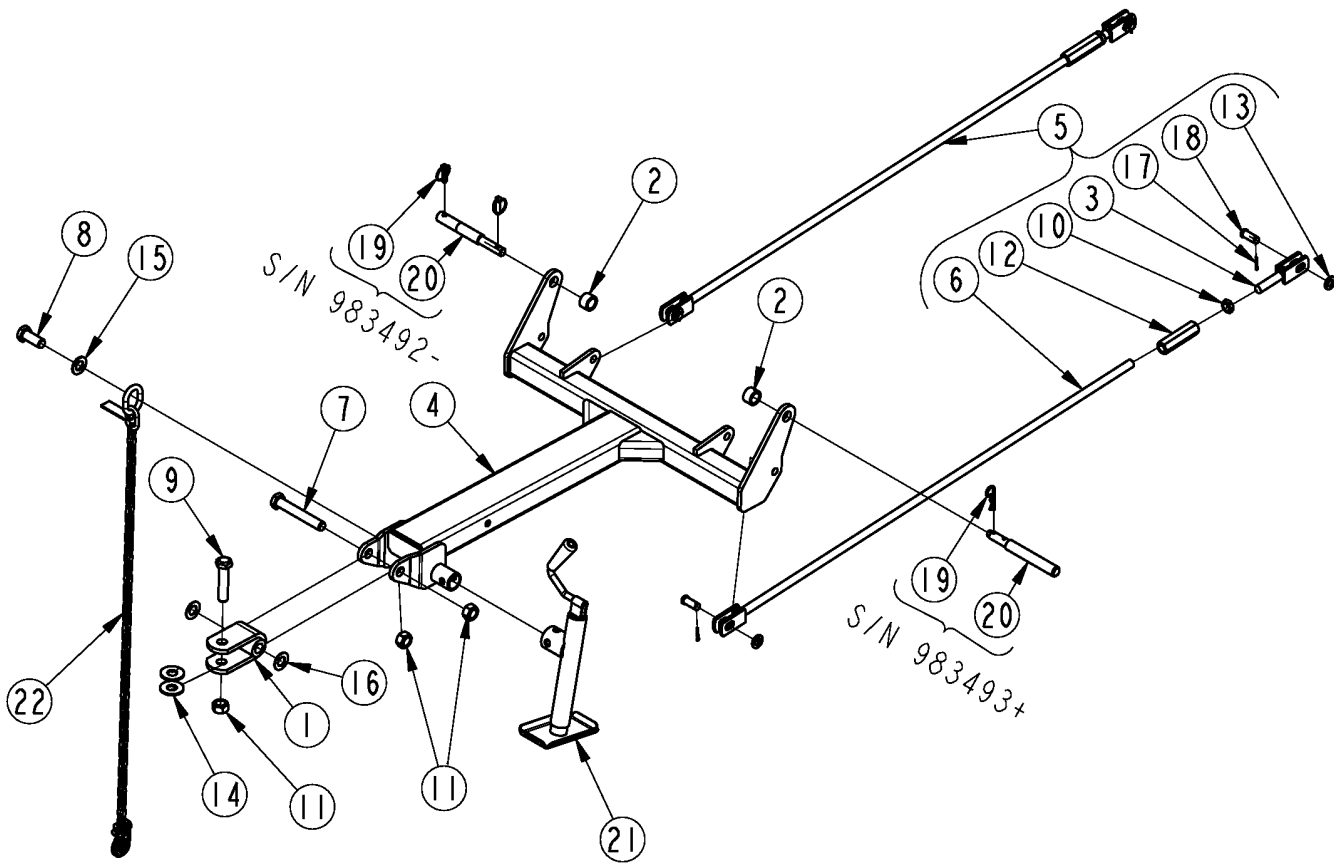
33424

Hitch 3-Point**Applies to RCF3696, RCFM3696**

Ref	Part No.	Part Description	Comments	Revision
	Dwg 33424	Drawing Image Number		
1.	312-821D	BSHG 1 1/4ODX1 1/32IDX2 1/16LG		
2.	312-931D	REAR BRACE STRAIGHT LONG		
3.	326-530H	A-FRAME LH		
4.	326-531H	A-FRAME RH		
5.	326-591D	HITCH MOUNT BSHG		
6.	326-891D	REAR BRACE SHORT		
7.	326-916D	BSHG 1OD X 11GWLX.44		
8.	326-917D	REAR BRACE STRAIGHT		
9.	326-002D	TUBE 1 OD X 11/16 LG. X 5/32w		
10.	326-947D	REAR BRACE FORMED		
11.	326-982D	TUBE RND 1 1/4ODX12GWX.84		
12.	802-057C	HHCS 5/8-11X2 1/4 GR5		
13.	802-064C	HHCS 3/4-10X2 GR5		
14.	802-098C	HHCS 1-8X4 1/2 GR5		
15.	802-169C	HHCS 1-8X3 1/2 GR5		
16.	802-205C	HHCS 1-8X5 1/2 GR5		
17.	802-908C	HHCS 7/8-9X2 1/2 GR5		
18.	803-026C	NUT LOCK 3/4-10 PLT		
19.	803-028C	NUT NY-LOK 7/8-9 PLT		
20.	803-038C	NUT HEX 1-8 NYLON INSERT PLT		
21.	803-168C	NUT HEX TOP LOCK 1-8 PLT		
22.	803-271C	NUT HEX TOP LOCK 5/8-11 PLT		
23.	804-025C	WASHER FLAT 3/4 SAE PLT		
24.	804-026C	WASHER FLAT 7/8 SAE PLT		
25.	804-029C	WASHER FLAT 1 SAE		
26.	805-017C	PIN COTTER 3/16 X 1 3/4 PLT		
27.	805-088C	PIN, HAIR COTTER 3/16 WIRE DIA		
28.	805-090C	PIN CLEVIS 1 X 3 3/16 LG		
29.	805-088C	PIN, HAIR COTTER 3/16 WIRE DIA	S/N 983493+	
29.	805-103C	PIN LINCH 7/16 X 1 3/4	S/N 983492-	
30.	805-137C	PIN CLEVIS 1 X 2 PLT		
31.	805-485C	PIN, HITCH 3PT CAT 1&2	S/N 983493+	
31.	805-274C	PIN HITCH CAT.I-II	S/N 983492-	
32.	327-143S	DRIVELINE HOLDER W/HARDWARE	S/N 945241+	
33.	802-010C	HHCS 5/16-18X1 1/4 GR5	S/N 945241+	
34.	802-138C	HHCS 5/16-18X2 1/4 GR5	S/N 945241+	
35.	803-177C	NUT HEX LOCK 5/16-18 FLG.	S/N 945241+	
36.	804-036C	WASHER FLAT 5/16 SAE PLT	S/N 945241+	
37.	807-350C	SPRING TORSION DRIVELINE HLDER	S/N 945241+	
38.	837-062C	DRIVELINE HOOK	S/N 945241+	
39.	837-063C	MOUNT DRIVELINE HOOK	S/N 945241+	

Hitch Pull Type Tounge S/N 1151135-

Applies to RCF3696, RCFM3696



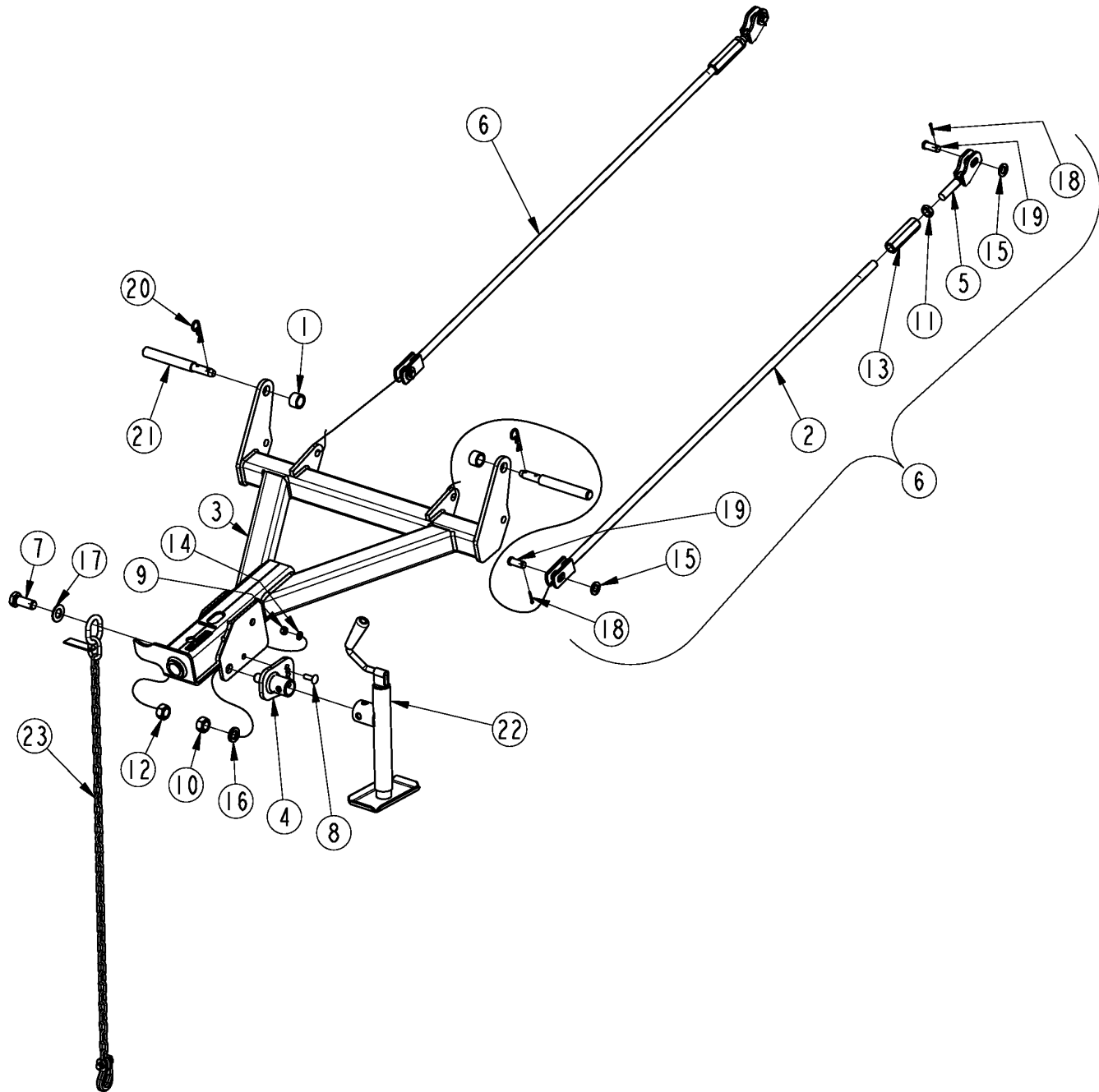
33827

Hitch Pull Type Tounge S/N 1151135-**Applies to RCF3696, RCFM3696**

Ref	Part No.	Part Description	Comments	Revision
	Dwg 33827	Drawing Image Number		
1.	312-421H	CLEVIS WELDMENT		
2.	312-733D	TUBE 1 5/8 OD X 7/32 WL X1 LG.		
3.	318-008H	WLDMT. LEVEL ROD SHORT	For 7/8" leveling rod	
3.	330-404H	LEVEL ROD SHORT 1"	For 1" leveling rod	
4.	326-495H	TONGUE WELDMENT 30/3696-10		
5.	326-556K	LEVEL ROD ASSY.	7/8" leveling rod kit	
5.	326-934K	LEVEL ROD ASY, SHORT	1" leveling rod kit	
6.	326-557H	LEVEL ROD LONG	7/8" leveling rod	
6.	326-933H	1" LEVEL ROD, SHORT	1" leveling rod	
7.	802-074C	HHCS 1-8X6 1/2 GR5		
8.	802-096C	HHCS 1-8X2 1/2 GR5		
9.	802-098C	HHCS 1-8X4 1/2 GR5		
10.	803-075C	NUT HEX JAM 7/8-9	For 7/8" leveling rod	
10.	803-030C	NUT HEX JAM 1-8 PLT	For 1" leveling rod	
11.	803-168C	NUT HEX TOP LOCK 1-8 PLT		
12.	803-265C	NUT HEX COUPLER 7/8-9 x 5	For 7/8" leveling rod	
12.	803-375C	NUT HEX COUPLER 1-8 X 5	For 1" leveling rod	
13.	804-025C	WASHER FLAT 3/4 SAE PLT	For 7/8" & 1" leveling rod	
14.	804-028C	WASHER FLAT 1 USS PLT		
15.	804-029C	WASHER FLAT 1 SAE		
16.	804-125C	WASHER BELLEVILLE 1ID		
17.	805-045C	PIN COTTER 5/32 X 1 1/4 LG	For 7/8" leveling rod	
17.	805-109C	PIN COTTER 1/8 X 1 1/4 PLT	For 1" leveling rod	
18.	805-083C	PIN CLEVIS 3/4 X 1 1/2	For 7/8" & 1" leveling rod	
19.	805-088C	PIN, HAIR COTTER 3/16 WIRE DIA	S/N 983493+	
19.	805-103C	PIN LINCH 7/16 X 1 3/4	S/N 983492-	
20.	805-485C	PIN, HITCH 3PT CAT 1&2	S/N 983493+	
20.	805-274C	PIN HITCH CAT.I-II	S/N 983492-	
21.	890-118C	SCREW JACK 2000# 14-24 TOP-WND		
22.	891-246C	AG SAFETY CHAIN 6400 LB		

Hitch Pull Type Tounge S/N 1151136+

Applies to RCF3696, RCFM3696



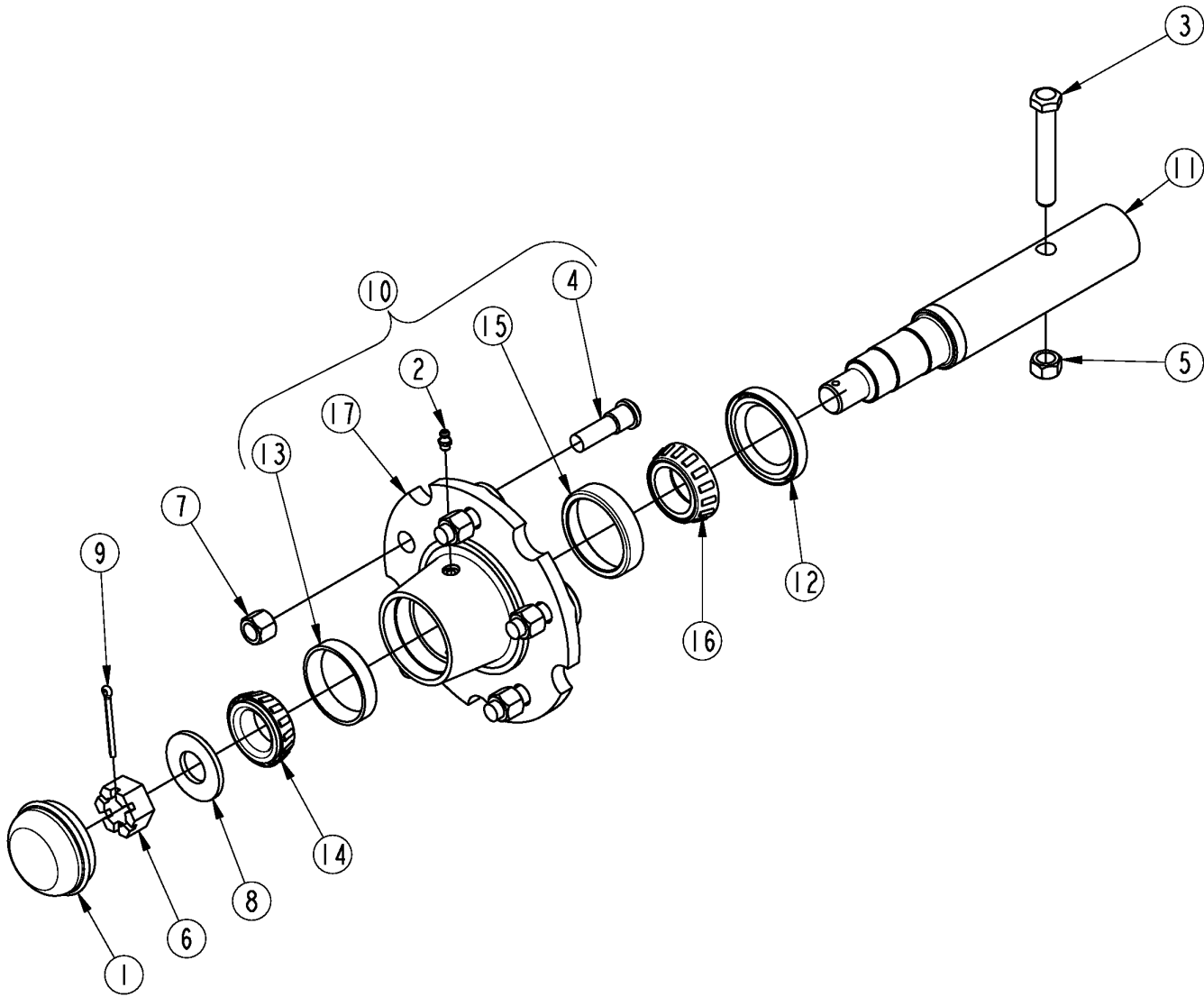
70102

Hitch Pull Type Tounge S/N 1151136+**Applies to RCF3696, RCFM3696**

Ref	Part No.	Part Description	Comments	Revision
	Dwg 70102	Image No.		
1.	312-733D	TUBE 1 5/8 OD X 7/32 WL X1 LG.		
2.	326-557H	LEVEL ROD LONG	7/8" Leveling rod	
2.	326-933H	1" LEVEL ROD, SHORT	1" Leveling rod	
3.	326-889H	TONGUE		
4.	326-891H	ADJUSTABLE JACK MOUNT		
5.	318-008H	WLDMT. LEVEL ROD SHORT	For 7/8" leveling rod	
5.	330-404H	LEVEL ROD SHORT 1"	For 1" leveling rod	
6.	326-556K	LEVEL ROD ASSY.	7/8" Leveling rod kit	
6.	326-934K	LEVEL ROD ASY, SHORT	1" Leveling rod kit	
7.	802-096C	HHCS 1-8X2 1/2 GR5		
8.	802-106C	RHSNB 1/2-13X1 1/2 GR5		
9.	803-020C	NUT HEX 1/2-13 PLT		
10.	803-031C	NUT HEX 1-8 PLT		
11.	803-075C	NUT HEX JAM 7/8-9	For 7/8" leveling rod	
11.	803-030C	NUT HEX JAM 1-8 PLT	For 1" leveling rod	
12.	803-168C	NUT HEX TOP LOCK 1-8 PLT		
13.	803-265C	NUT HEX COUPLER 7/8-9X5	For 7/8" leveling rod	
13.	803-375C	NUT HEX COUPLER 1-8 X 5	For 1" leveling rod	
14.	804-015C	WASHER LOCK SPRING 1/2 PLT		
15.	804-025C	WASHER FLAT 3/4 SAE PLT		
16.	804-027C	WASHER LOCK SPRING 1 PLT		
17.	804-029C	WASHER FLAT 1 SAE		
18.	805-045C	PIN COTTER 5/32 X 1 1/4 LG	For 7/8" leveling rod	
18.	805-109C	PIN COTTER 1/8 X 1 1/4 PLT	For 1" leveling rod	
19.	805-083C	PIN CLVS .75X1.50 USBL HT		
20.	890-118C	SCREW JACK 2000# 14-24 TOP-WND		
21.	891-246C	AG SAFETY CHAIN 6400 LB		

Hub & Spindle Assembly (331-795L)

Applies to RCF3696, RCFM3696



72662

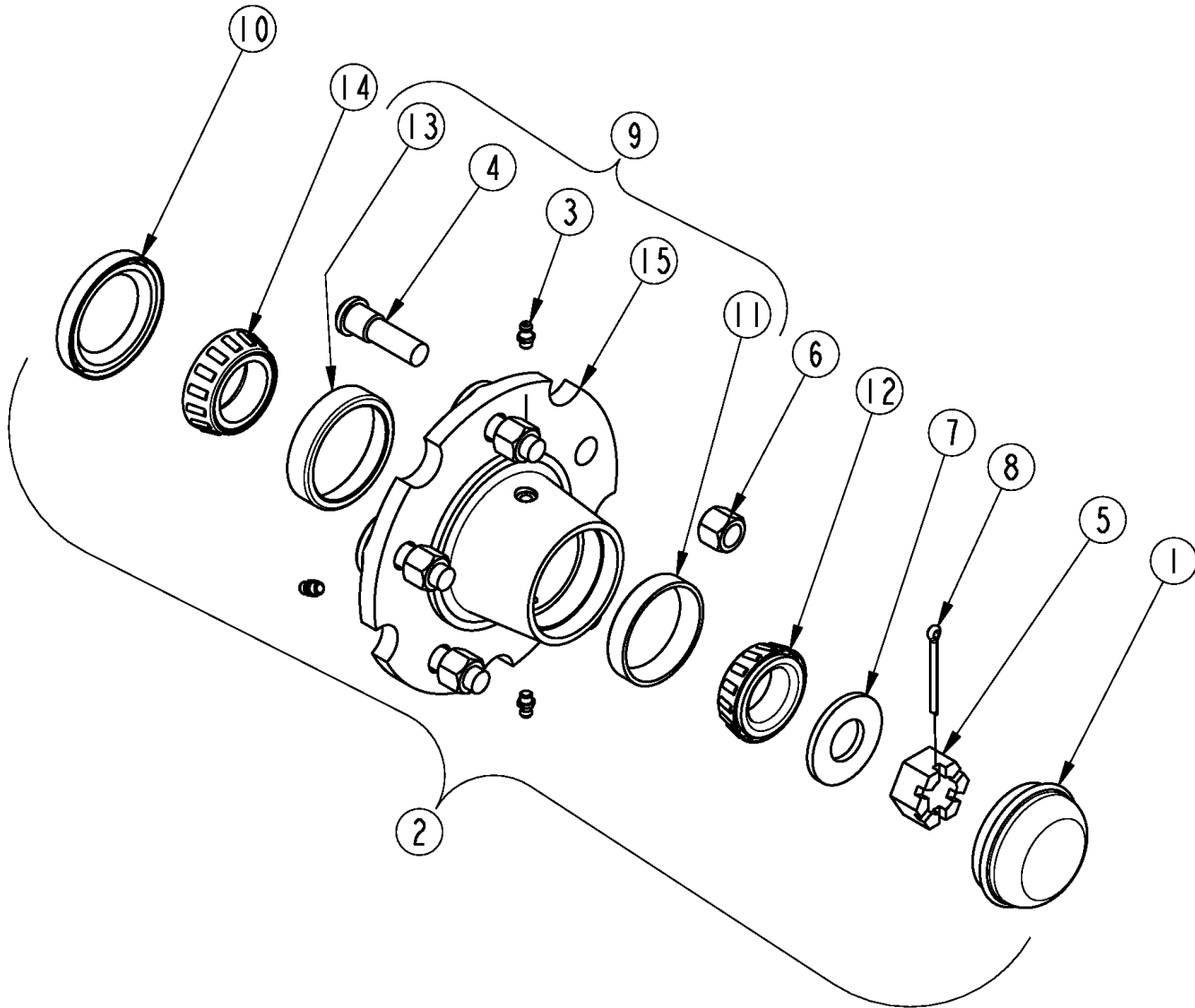
Hub & Spindle Assembly (331-795L)

Applies to RCF3696, RCFM3696

Ref	Part No.	Part Description	Comments	Revision
	Dwg 72662 331-795L	Image No. SPINDLE AND HUB ASSY *		
1.	200-001D	HUB GREASE CAP		
2.	800-080C	GREASE ZERK 1/4-28 THD FORMING		
3.	802-099C	HHCS 1/2-13X3 1/4 GR5		
4.	802-779C	HUB STUD 1/2-20X1.88 GR5		
5.	803-019C	NUT LOCK 1/2-13 PLT		
6.	803-029C	NUT HEX SLOTTED 7/8-14 PLT		
7.	803-310C	NUT HEX 1/2-20 X 5/8 HIGH		
8.	804-055C	WASHER SPINDLE - 7/8		
9.	805-246C	PIN COTTER 5/32 X 1 3/4 LG		
10.	815-243C	HUB 5-BOLT W/CUPS/STUDS		
11.	815-491C	SINGLE AXLE SPINDLE, WING		
12.	816-497C	SEAL 1.75ID CR17617		
13.	822-020C	BRG CUP LM-67010		
14.	822-021C	BRG CONE 1.25ID LM-67048		
15.	822-033C	BRG CUP LM-48510		
16.	822-034C	BRG CONE LM-48548		
17.	HT250	MACHINED 5-BOLT HUB		

Hub Assembly (330-938K)

Applies to RCF3696, RCFM3696



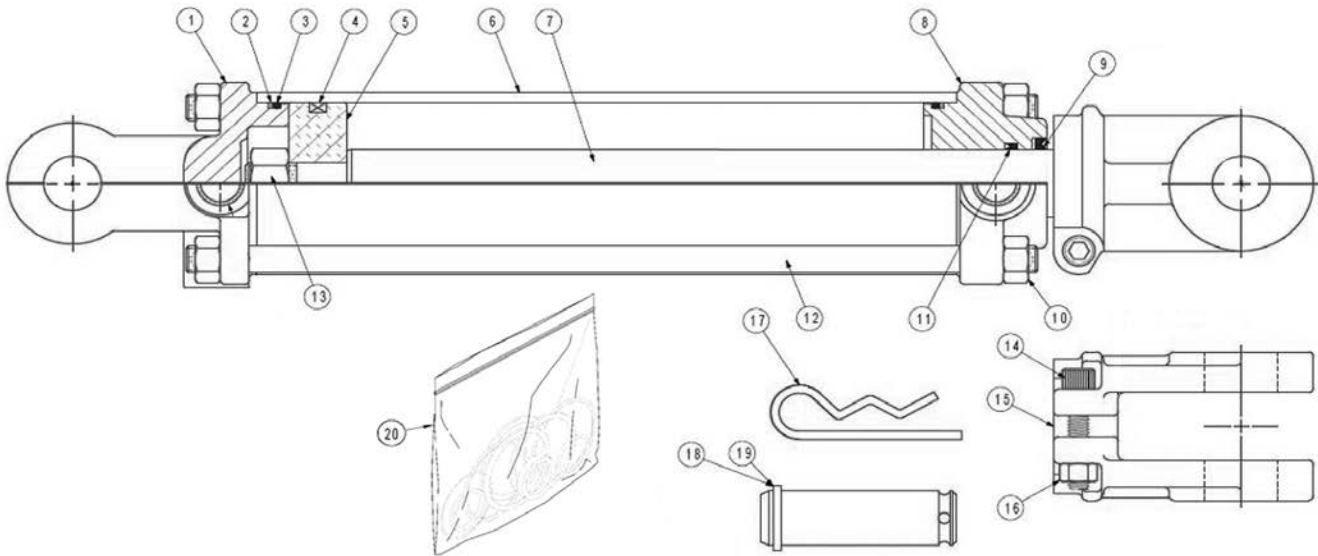
37676

Hub Assembly (330-938K)**Applies to RCF3696, RCFM3696**

Ref	Part No.	Part Description	Comments	Revision
	Dwg 37676 330-938K	Image No. HUB 5 BOLT COMPLETE *		
1.	200-001D	HUB GREASE CAP		
2.	330-938K	HUB 5 BOLT COMPLETE		
3.	800-080C	GREASE ZERK 1/4-28 THD FORMING		
4.	802-779C	HUB STUD 1/2-20X1.88 GR5		
5.	803-029C	NUT HEX SLOTTED 7/8-14 PLT		
6.	803-310C	NUT HEX 1/2-20 X 5/8 HIGH		
7.	804-055C	WASHER SPINDLE - 7/8		
8.	805-246C	PIN COTTER 5/32 X 1 3/4 LG		
9.	815-243C	HUB 5-BOLT W/CUPS/STUDS		
10.	816-497C	SEAL 1.75ID CR17617		
11.	822-020C	BRG CUP LM-67010		
12.	822-021C	BRG CONE 1.25ID LM-67048		
13.	822-033C	BRG CUP LM-48510		
14.	822-034C	BRG CONE LM-48548		
15.	815-242C	HUB 5-BOLT CASTING		

Hydraulic Cylinder (810-384C) Cross

Applies to RCF3696, RCFM3696



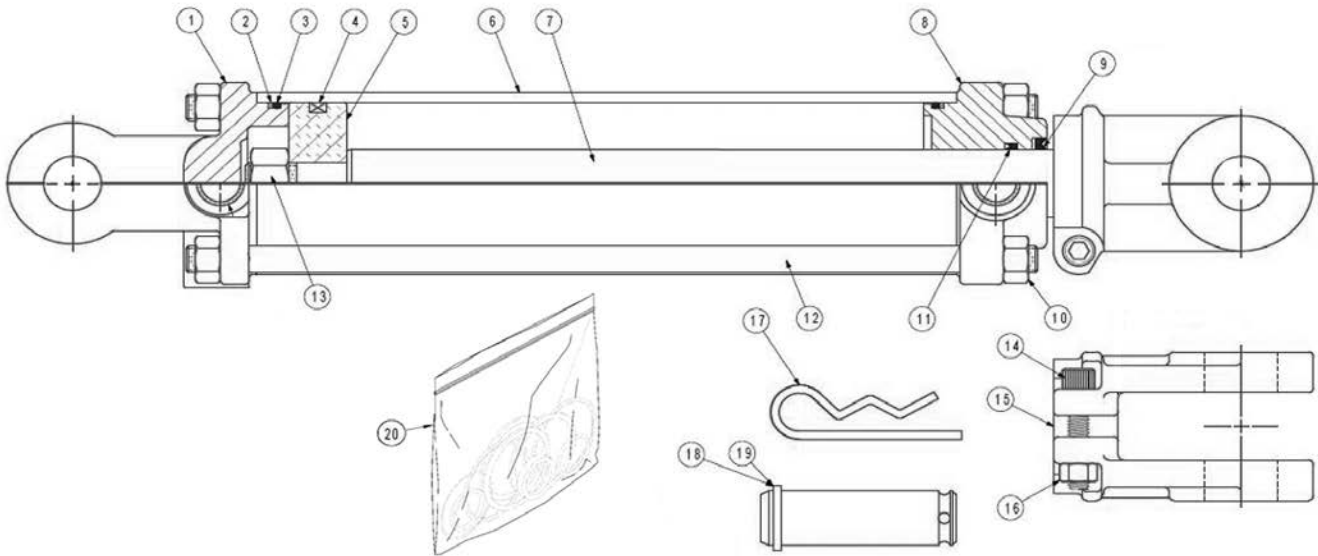
72940

Hydraulic Cylinder (810-384C) Cross**Applies to RCF3696, RCFM3696**

Ref	Part No.	Part Description	Comments	Revision
	Dwg 810-384C	Image No. 72940 RPBY 850-449C *		
1.	1D1205-8	CROSS, BASE CLEVIS		
2.	N/A	CROSS BACK UP	Only found in seal kit item 20	
3.	N/A	CROSS O-RING	Only found in seal kit item 20	
4.	N/A	CROSS CROWN SEAL	Only found in seal kit item 20	
5.	1D1401-300	CROSS PISTON 3 BORE CYLINDER		
6.	1D0007-850	CROSS, TUBE		
7.	1D0206-1075	CROSS, ROD		
8.	1D1157-17	CROSS HEAD 3 BORE CYLINDER		
9.	N/A	WIPER SEAL CROSS	Only found in seal kit item 20	
10.	2A0235-8	CROSS NUT, TIE ROD		
11.	N/A	CROSS U-CUP	Only found in seal kit item 20	
12.	2A0580-1100	CROSS TIE ROD		
13.	2A0246-12	CROSS NUT, PISTON		
14.	2A0079-616	CROSS SCREW, CAP		
15.	1D1003-5	CROSS ROD CLEVIS		
16.	2A0235-6	CROSS NUT, CLEVIS & TIE ROD		
17.	805-032C	PIN HAIR COTTER .148 WIRE		
18.	1D1551-16275	CROSS CLEVIS PIN 2.75"USABLE		
19.	1D1551-16300	CROSS CLEVIS PIN 3"USABLE		
20.	810-009C	CYL SEAL KIT 3 (CROSS)		

Hydraulic Cylinder (850-449C) Cross

Applies to RCF3696, RCFM3696



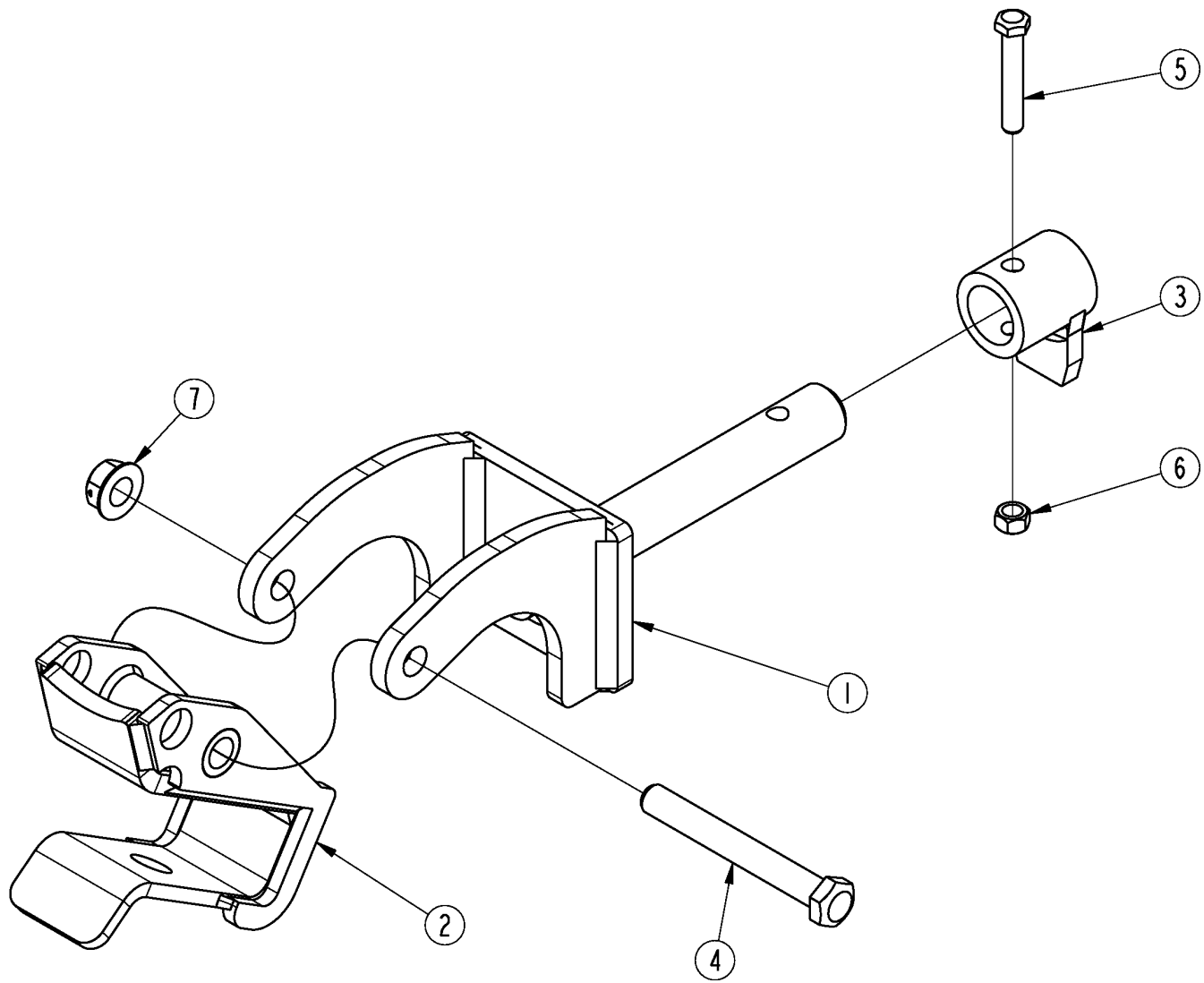
74608

Hydraulic Cylinder (850-449C) Cross**Applies to RCF3696, RCFM3696**

Ref	Part No.	Part Description	Comments	Revision
	Dwg 850-449C	Image No. 74608 CYL 3X6X1.25 ROD (TIE ROD) *		
1.	4C5853	CROSS BASE CLEVIS		
2.	N/A	CROSS BACK UP	Only found in seal kit item 20	
3.	N/A	CROSS O-RING	Only found in seal kit item 20	
4.	N/A	CROSS CROWN SEAL	Only found in seal kit item 20	
5.	4C4360	CROSS PISTON		
6.	1D0007-812	CROSS TUBE		
7.	4C2649	CROSS ROD		
8.	4C2444	CROSS HEAD		
9.	N/A	WIPER SEAL CROSS	Only found in seal kit item 20	
10.	2A0235-8	CROSS NUT, TIE ROD		
11.	N/A	CROSS U-CUP	Only found in seal kit item 20	
12.	2A0580-1075	CROSS TIE ROD		
13.	2A0246-12	CROSS NUT, PISTON		
14.	2A0079-616	CROSS SCREW, CAP		
15.	1D1013-5	CROSS ROD CLEVIS		
16.	2A0235-6	CROSS NUT, CLEVIS & TIE ROD		
17.	805-032C	PIN HAIR COTTER .148 WIRE		
18.	1D1551-16275	CROSS CLEVIS PIN 2.75"USABLE		
19.	1D1551-16300	CROSS CLEVIS PIN 3"USABLE		
20.	850-357C	CROSS SEAL KIT		

Performance Hitch

Applies to RCF3696, RCFM3696



70104

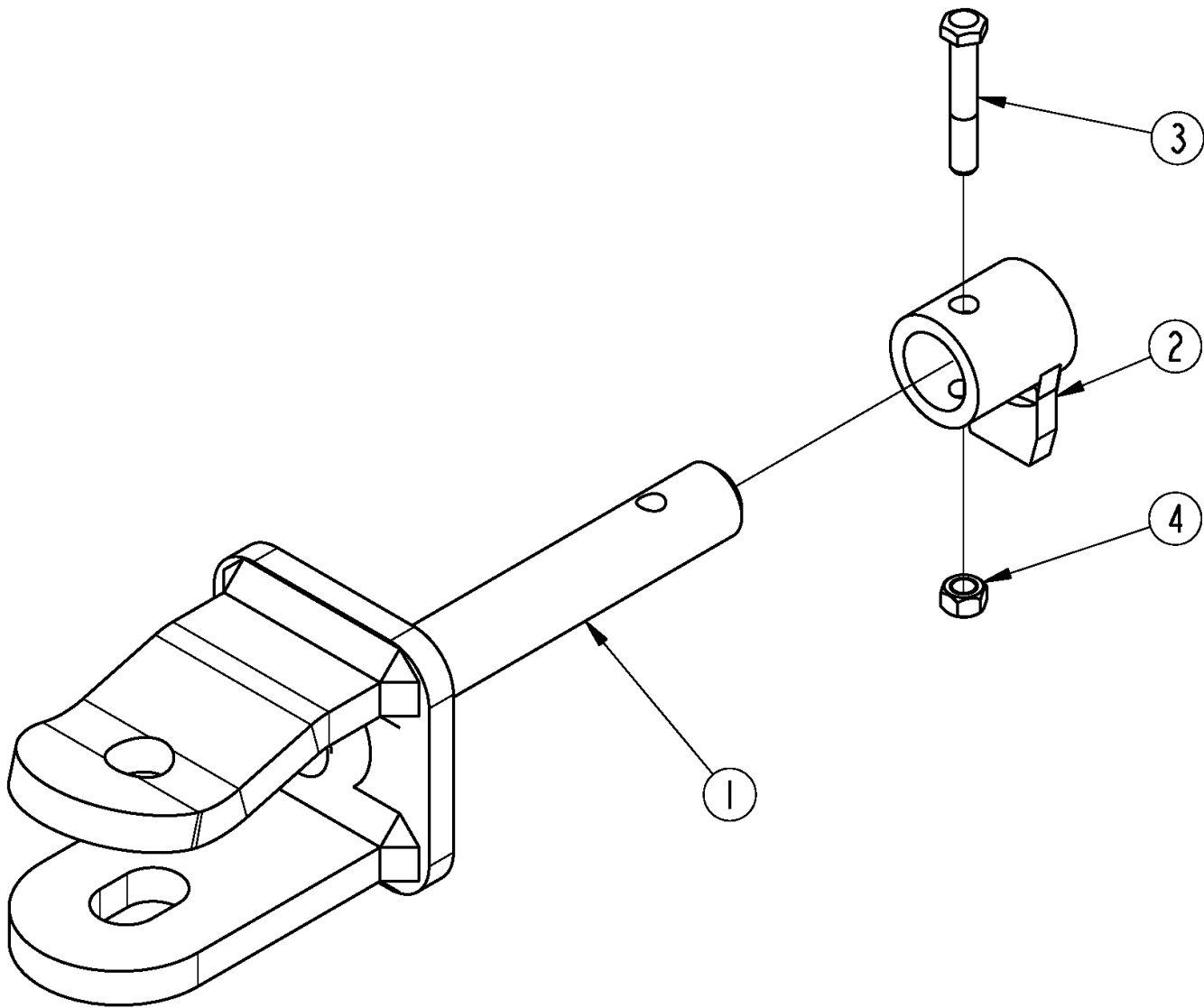
Performance Hitch

Applies to RCF3696, RCFM3696

Ref	Part No.	Part Description	Comments	Revision
	Dwg 70104 334-007A	Drawing Image Number (LPH) PERFORMANCE HTCH SLF LVL *		
1.	334-049H	HITCH SELF LEVELING 1.5D SHFT		
2.	334-050H	HITCH CLEVIS SELF LEVELING		
3.	334-066H	BSHG HITCH LOCK/STOP 1.56 ID		
4.	802-070C	HHCS 3/4-10X6 GR5		
5.	802-365C	HHCS 1/2-13X3 GR8		
6.	803-019C	NUT LOCK 1/2-13 PLT		
7.	803-181C	NUT HEX FLANGE LOCK 3/4-10 PLT		

Swivel Hitch

Applies to RCF3696, RCFM3696



70103

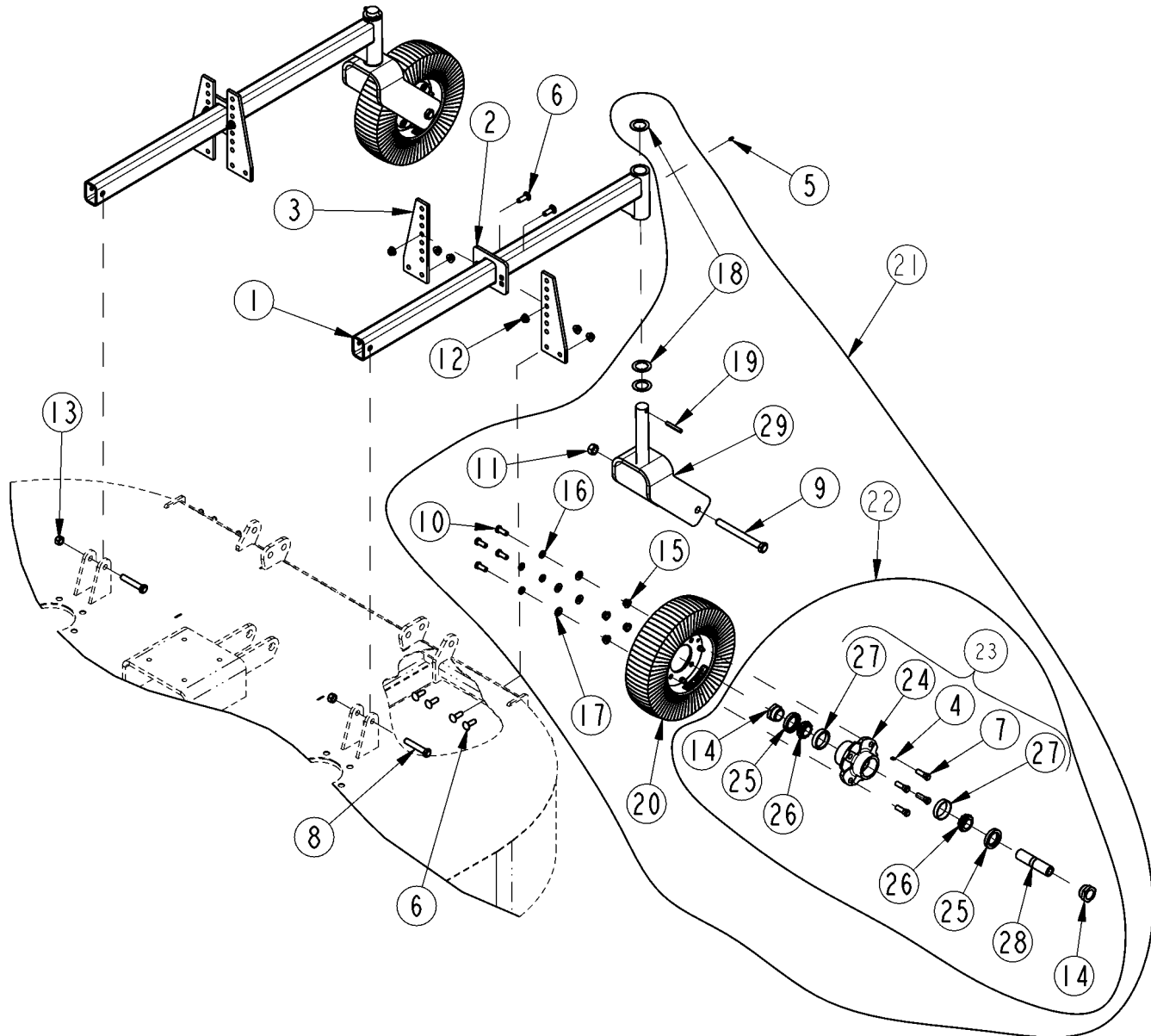
Swivel Hitch

Applies to RCF3696, RCFM3696

Ref	Part No.	Part Description	Comments	Revision
	Dwg 70103 334-006A	Drawing Image Number SWIVEL CLEVIS *		
1.	334-004H	SWIVEL CLEVIS STRAIGHT		
2.	334-066H	BSHG HITCH LOCK/STOP 1.56 ID		
3.	802-365C	HHCS 1/2-13X3 GR8		
4.	803-019C	NUT LOCK 1/2-13 PLT		

Tail Wheel 3-Point W/ 15" Lam. Tire

Applies to RCF3696, RCFM3696



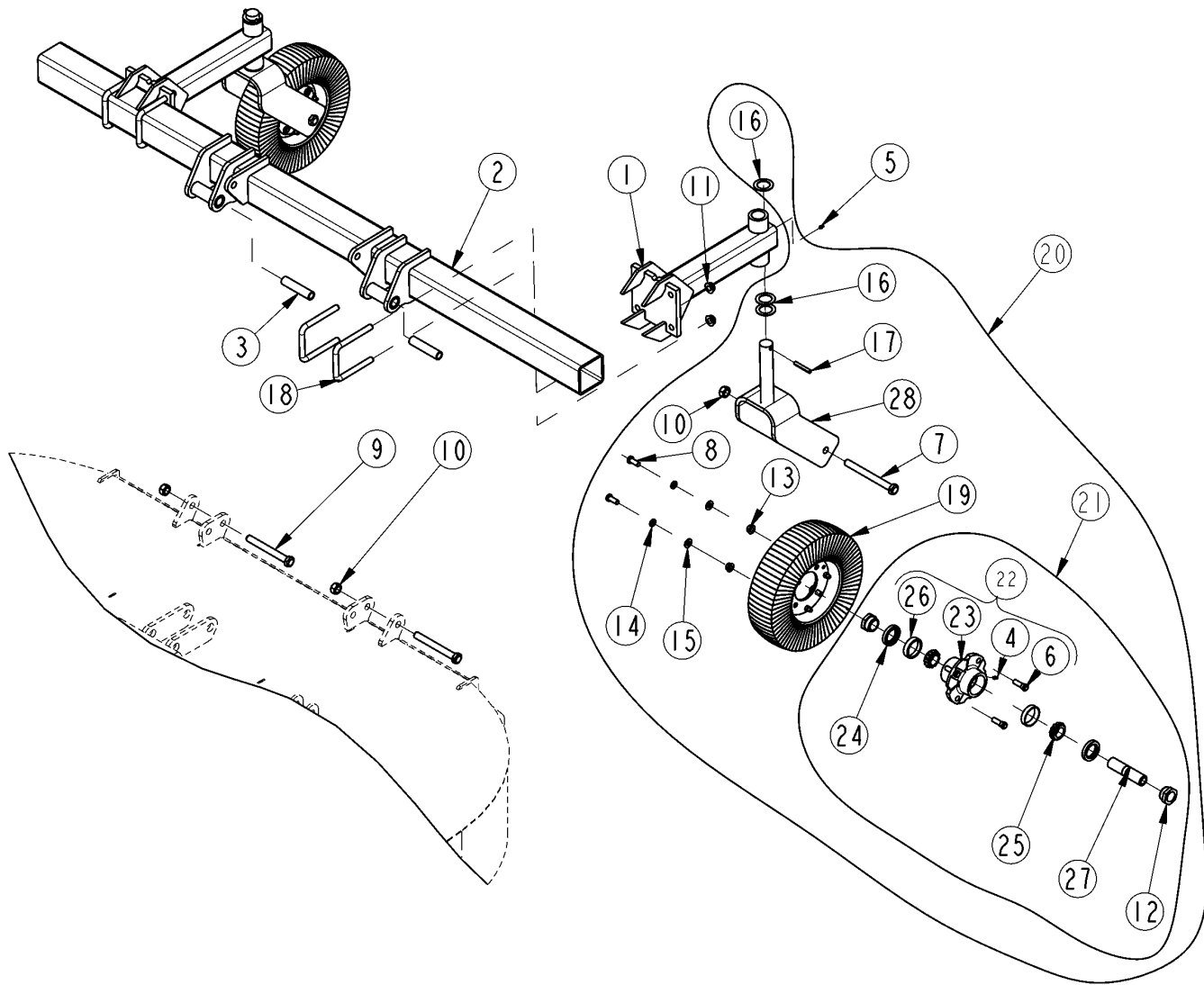
33425

Tail Wheel 3-Point W/ 15" Lam. Tire**Applies to RCF3696, RCFM3696**

Ref	Part No.	Part Description	Comments	Revision
	Dwg 33425	Drawing Image Number		
1.	326-606H	TAILWHEEL BEAM WELDMENT INTRM.		
2.	312-616D	TAILWHEEL ARM ADJUST PLATE		
3.	312-811D	TAILWHEEL BEAM MOUNTING BRKT.		
4.	800-001C	GREASE ZERK STRAIGHT 1/4-28		
5.	800-080C	GREASE ZERK 1/4-28 THD FORMING		
6.	802-106C	RHSNB 1/2-13X1 1/2 GR5		
7.	802-135C	HUB STUD 1/2-20X1 5/8 GR5	As Required	
8.	802-162C	HHCS 5/8-11X3 1/2 GR5		
9.	802-280C	HHCS 3/4-10X7 1/2 GR5		
10.	802-326C	HHCS 1/2-20X1 1/4 GR5		
11.	803-026C	NUT LOCK 3/4-10 PLT		
12.	803-037C	NUT HEX WHIZ 1/2-13 PLT		
13.	803-271C	NUT HEX TOP LOCK 5/8-11 PLT		
14.	803-289C	NUT HEX 1 1/4-7(MACHINED)PLAIN		
15.	803-308C	NUT HEX FLG/LK 1/2-20 PLT GR G	As Required	
16.	804-015C	WASHER LOCK SPRING 1/2 PLT	As Required	
17.	804-016C	WASHER FLAT 1/2 SAE PLT	As Required	
18.	804-066C	WASHER MACH 2.25 X 1.50 X 14GA		
19.	805-255C	PIN ROLL 3/8 X 2 1/2 PLT		
20.	814-058C	TIRE & WHEEL LAMINATED 4.0 X 8		
21.	814-161C	LAM 4X8 TR-WL-HUB-YOKE 25 SER.		
22.	815-092C	HUB & SPINDLE ASSY 4 BOLT		
23.	815-230C	HUB 4 BLT W/CUPS, ZERK & STUDS		
24.	815-231C	HUB 4BLT DUCTILE(USE 815-230C)		
25.	816-286C	OIL SEAL DBL LIP 2.441 BORE		
26.	822-091C	BRG 1.25ID CONE 15123		
27.	822-092C	BRG CUP 2.44OD 15245		
28.	827-036C	BUSHING TW 1.25ODX.78IDX5 1/4		
29.	890-961C	RC25 TAILWHEEL YOKE		

Transport Axle 3-Point & Semi-Mount W/ 15" Lam. Tire

Applies to RCF3696, RCFM3696



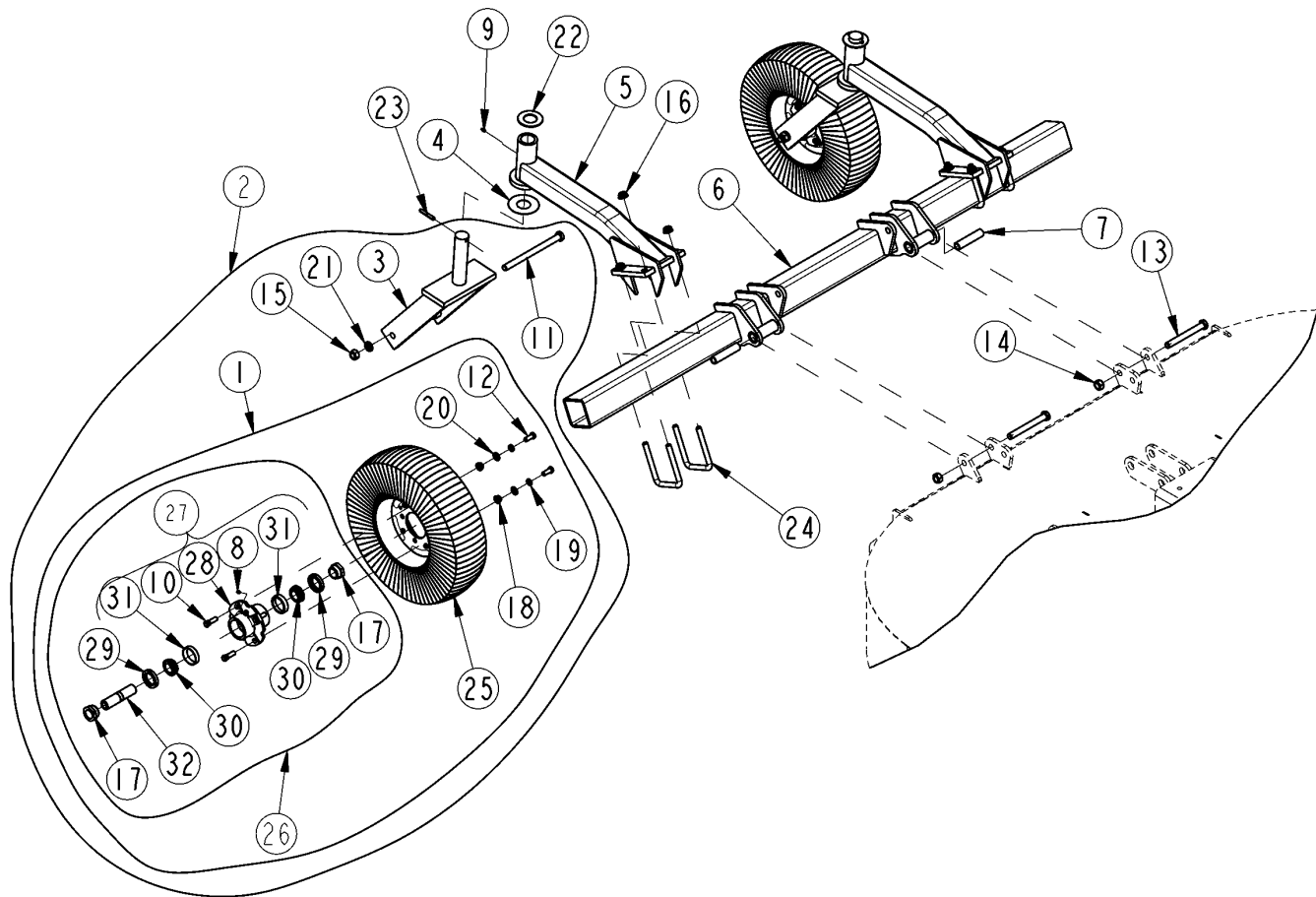
33356

Transport Axle 3-Point & Semi-Mount W/ 15" Lam. Tire**Applies to RCF3696, RCFM3696**

Ref	Part No.	Part Description	Comments	Revision
	Dwg 33356	Drawing Image Number		
1.	326-488H	3-PNT TAILWHEEL MOUNT		
2.	326-559H	AXLE 96"		
3.	326-968D	PIVOT SPACER BUSHING		
4.	800-001C	GREASE ZERK STRAIGHT 1/4-28		
5.	800-080C	GREASE ZERK 1/4-28 THD FORMING		
6.	802-135C	HUB STUD 1/2-20X1 5/8 GR5	As Required	
7.	802-280C	HHCS 3/4-10X7 1/2 GR5		
8.	802-326C	HHCS 1/2-20X1 1/4 GR5	As Required	
9.	802-360C	HHCS 3/4-10X6 1/2 GR5		
10.	803-026C	NUT LOCK 3/4-10 PLT		
11.	803-263C	NUT HEX FLANGE LOCK 5/8-11 PLT		
12.	803-289C	NUT HEX 1 1/4-7(MACHINED)PLAIN		
13.	803-308C	NUT HEX FLG/LK 1/2-20 PLT GR G	As Required	
14.	804-015C	WASHER LOCK SPRING 1/2 PLT	As Required	
15.	804-016C	WASHER FLAT 1/2 SAE PLT	As Required	
16.	804-066C	WASHER MACH 2.25 X 1.50 X 14GA		
17.	805-255C	PIN ROLL 3/8 X 2 1/2 PLT		
18.	806-184C	U-BOLT 5/8-11 X 4 1/32 X 5 1/2		
19.	814-058C	TIRE & WHEEL LAMINATED 4.0 X 8		
20.	814-161C	LAM 4X8 TR-WL-HUB-YOKE 25 SER.		
21.	815-092C	HUB & SPINDLE ASSY 4 BOLT		
22.	815-230C	HUB 4 BLT W/CUPS, ZERK & STUDS		
23.	815-231C	HUB 4BLT DUCTILE(USE 815-230C)		
24.	816-286C	OIL SEAL DBL LIP 2.441 BORE		
25.	822-091C	BRG 1.25ID CONE 15123		
26.	822-092C	BRG CUP 2.44OD 15245		
27.	827-036C	BUSHING TW 1.25ODX.78IDX5 1/4		
28.	890-961C	RC25 TAILWHEEL YOKE		

Transport Axle 3-Point & Semi-Mount W/ 21" Lam. Tire

Applies to RCF3696, RCFM3696



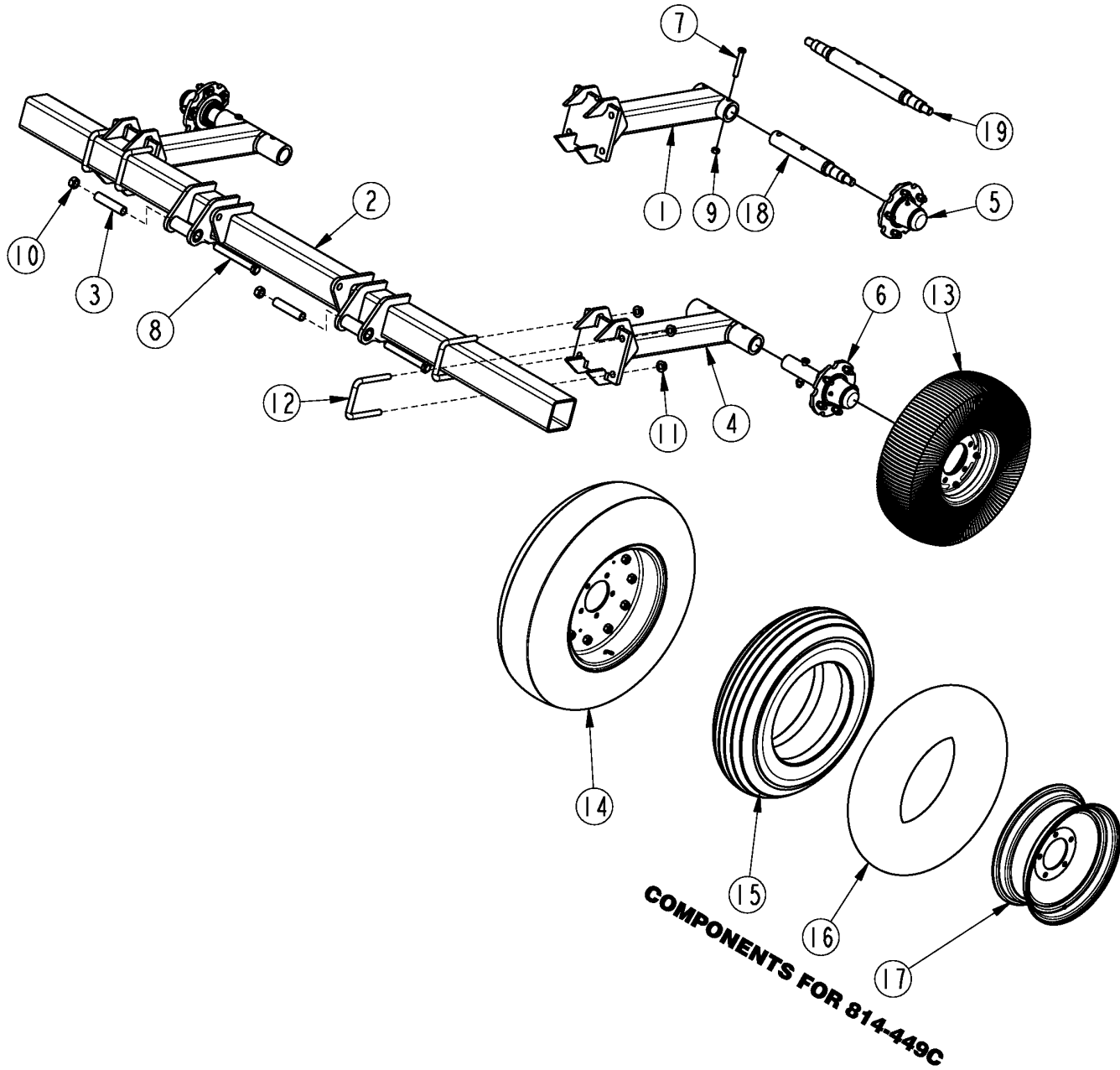
33357

Transport Axle 3-Point & Semi-Mount W/ 21" Lam. Tire**Applies to RCF3696, RCFM3696**

Ref	Part No.	Part Description	Comments	Revision
	Dwg 33357	Drawing Image Number		
1.	312-067K	RC35 TAILWHEEL ASSY-21		
2.	312-084L	RC 35 TW & YOKE ASSY		
3.	312-100H	RC35 YOKE WLDMT		
4.	312-231D	TAILWHEEL WASHER		
5.	326-496H	SEMI-MOUNT TAILWHEEL ARM		
6.	326-559H	AXLE 96"		
7.	326-968D	PIVOT SPACER BUSHING		
8.	800-001C	GREASE ZERK STRAIGHT 1/4-28		
9.	800-080C	GREASE ZERK 1/4-28 THD FORMING		
10.	802-135C	HUB STUD 1/2-20X1 5/8 GR5	As Required	
11.	802-272C	HHCS 3/4-10X10 GR5		
12.	802-326C	HHCS 1/2-20X1 1/4 GR5	As Required	
13.	802-360C	HHCS 3/4-10X6 1/2 GR5		
14.	803-026C	NUT LOCK 3/4-10 PLT		
15.	803-027C	NUT HEX 3/4-10 PLT		
16.	803-263C	NUT HEX FLANGE LOCK 5/8-11 PLT		
17.	803-289C	NUT HEX 1 1/4-7(MACHINED)PLAIN		
18.	803-308C	NUT HEX FLG/LK 1/2-20 PLT GR G	As Required	
19.	804-015C	WASHER LOCK SPRING 1/2 PLT	As Required	
20.	804-016C	WASHER FLAT 1/2 SAE PLT	As Required	
21.	804-023C	WASHER LOCK SPRING 3/4 PLT		
22.	804-074C	WASHER MACH 3.25 X 1.75 X 10GA		
23.	805-255C	PIN ROLL 3/8 X 2 1/2 PLT		
24.	806-184C	U-BOLT 5/8-11 X 4 1/32 X 5 1/2		
25.	814-059C	TIRE & WHEEL LAM. 6X9X21(TALL)		
26.	815-092C	HUB & SPINDLE ASSY 4 BOLT		
27.	815-230C	HUB 4 BLT W/CUPS, ZERK & STUDS		
28.	815-231C	HUB 4BLT DUCTILE(USE 815-230C)		
29.	816-286C	OIL SEAL DBL LIP 2.441 BORE		
30.	822-091C	BRG 1.25ID CONE 15123		
31.	822-092C	BRG CUP 2.44OD 15245		
32.	827-036C	BUSHING TW 1.25ODX.78IDX5 1/4		

Transport Axle Pull Type

Applies to RCF3696, RCFM3696

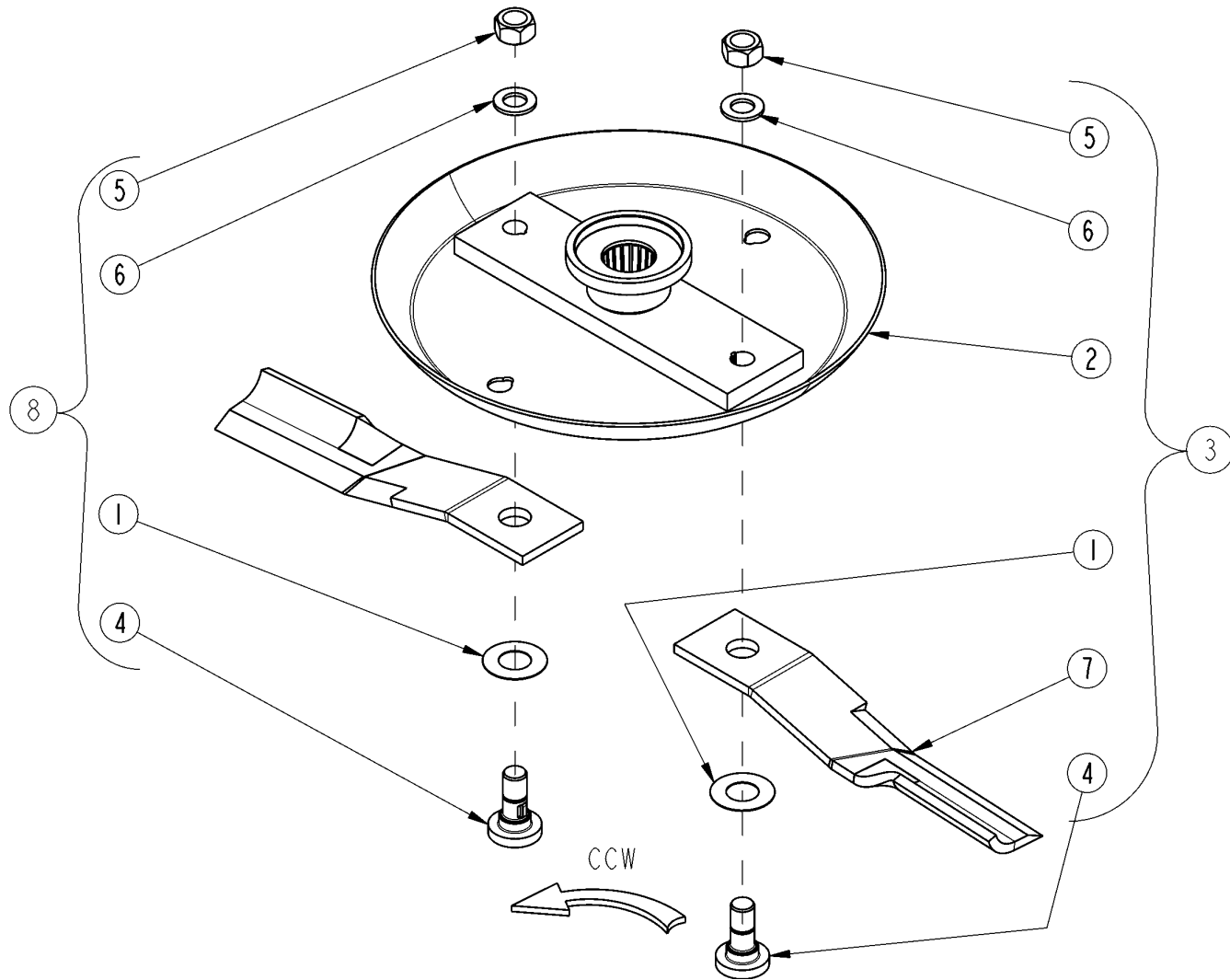


Transport Axle Pull Type**Applies to RCF3696, RCFM3696**

Ref	Part No.	Part Description	Comments	Revision
	Dwg 33426	Drawing Image Number		
1.	326-489H	PULL TAILWHEEL	S/N _____ -	
2.	326-559H	AXLE 96"		
3.	326-968D	PIVOT SPACER BUSHING		
4.	327-245H	PULL TAILWHEEL	S/N _____ +	
5.	330-938K	HUB 5 BOLT COMPLETE	S/N _____ -	
6.	331-795L	SPINDLE AND HUB ASSY	S/N _____ +	
7.	802-099C	HHCS 1/2-13X3 1/4 GR5		
8.	802-360C	HHCS 3/4-10X6 1/2 GR5		
9.	803-019C	NUT LOCK 1/2-13 PLT		
10.	803-026C	NUT LOCK 3/4-10 PLT		
11.	803-263C	NUT HEX FLANGE LOCK 5/8-11 PLT		
12.	806-184C	U-BOLT 5/8-11 X 4 1/32 X 5 1/2		
13.	814-265C	TIRE & WHL LAM. 6X9X21(5-BOLT)		
14.	814-444C	RPBY 814-478C	Foam Filled	
14.	814-478C	NEW TIRE FF 25.5X8-14 20PLY		
14.	814-449C	TIRE, AC 29" 16 PLY 5 BOLT		
15.	814-450C	TIRE H29X9.0X15 USED		
16.	814-451C	TUBE FOR 29X9.0-15		
17.	814-461C	RIM 2PC 5BLT 15X6.5		
18.	815-401C	SPINDLE, SINGLE BOLT-ON 7/8-14	S/N _____ -	
19.	815-402C	SPINDLE, DUAL BOLT-ON 7/8-14	S/N _____ -	

Blade Carrier CCW

Applies to RCFM3696



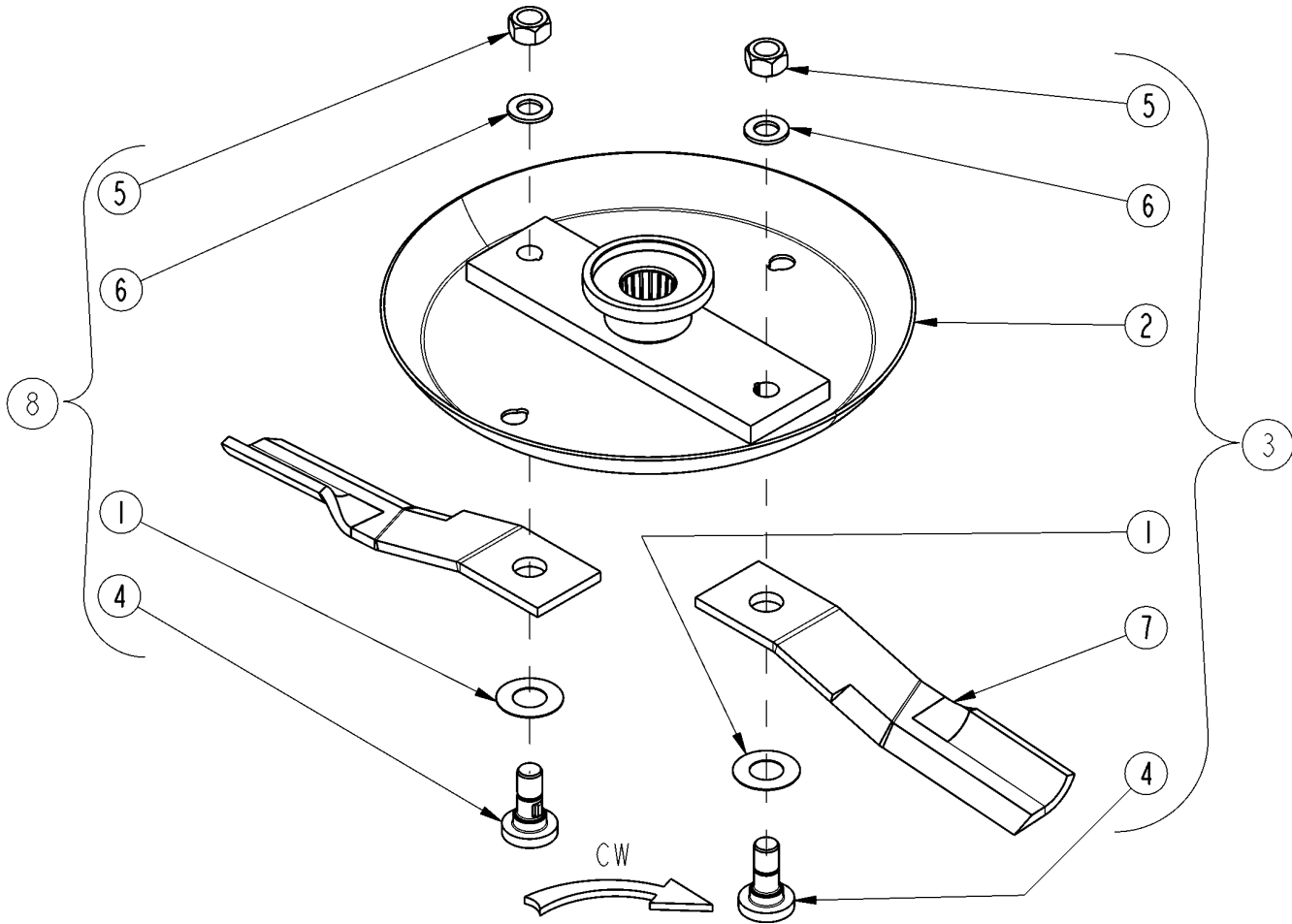
33427

Blade Carrier CCW**Applies to RCFM3696**

Ref	Part No.	Part Description	Comments	Revision
	Dwg 33427 326-433S	Drawing Image Number ASSY CCW BLADE CARRIER *		
1.	312-082D	RPBY 312-808D QTY 2	As Required S/N 776426-	
1.	312-075D	BLADE SPACER 16 GA. .064 THICK	As Required S/N 776426-	
1.	312-089D	BLADE SPACER 20 GA. .04 THICK	As Required S/N 776426-	
1.	312-808D	BLADE SPACER 24 GA. .03 THICK	As Required S/N 776426-	
2.	326-430H	3696 DISHPAN		
3.	N/A	ASSY CCW BLADE CARRIER		
4.	802-277C	BLD BLT 1 1/8-12X3.44 W/.25KEY		
5.	803-170C	NUT HEX TOP LOCK 1 1/8-12 PLT.		
6.	804-147C	WASHER FLAT 1" HARDENED		
7.	820-195C	CUTTER BLADE 1/2X4X20 1/2 CCW		
8.	318-586A	BLADE BOLT KIT	Item 1 not included	

Blade Carrier CW

Applies to RCFM3696



33428

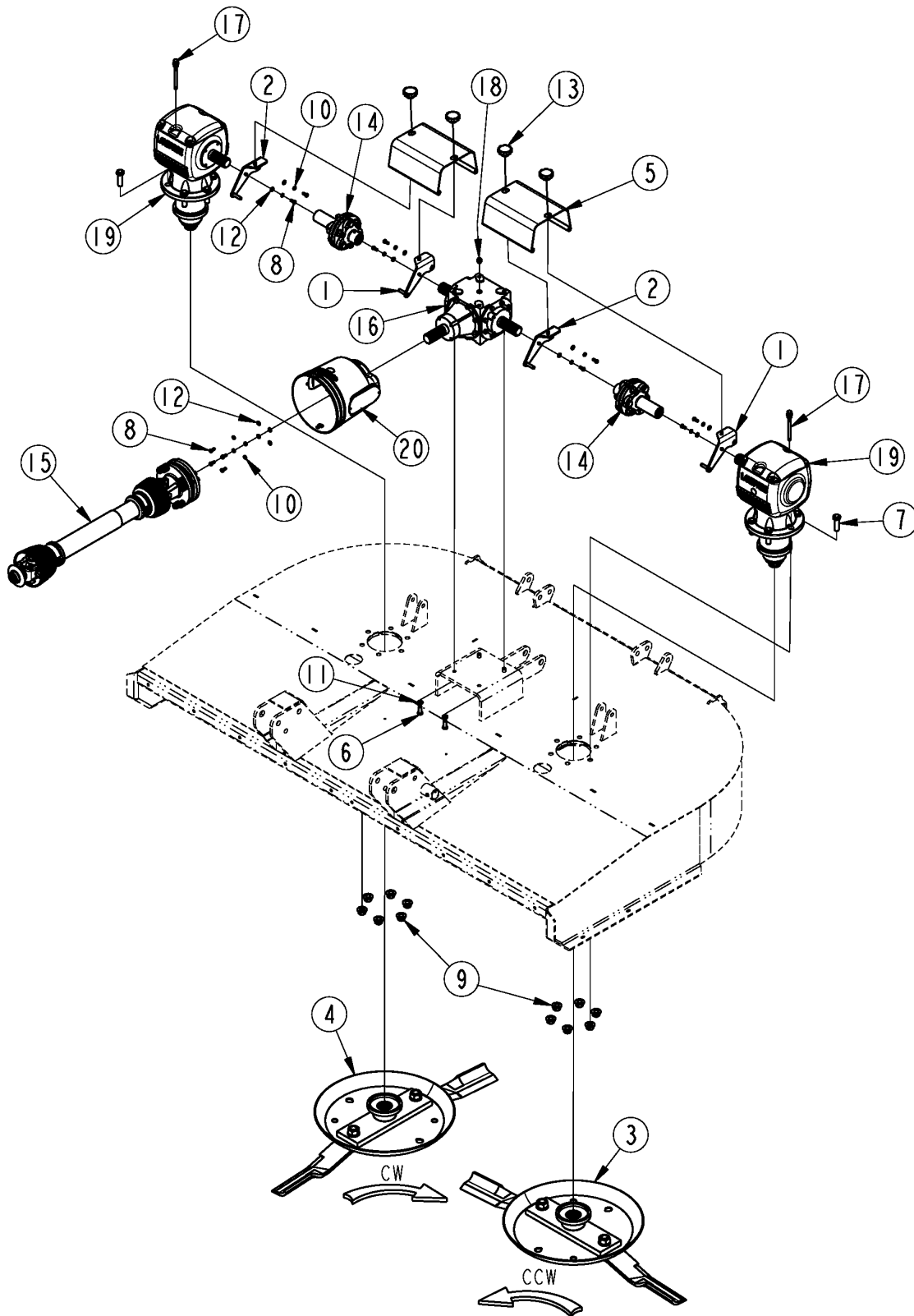
Blade Carrier CW

Applies to RCFM3696

Ref	Part No.	Part Description	Comments	Revision
	Dwg 33428	Drawing Image Number		
1.	312-082D	RPBY 312-808D QTY 2	As Required S/N 776426-	
1.	312-075D	BLADE SPACER 16 GA. .064 THICK	As Required S/N 776426-	
1.	312-089D	BLADE SPACER 20 GA. .04 THICK	As Required S/N 776426-	
1.	312-808D	BLADE SPACER 24 GA. .03 THICK	As Required S/N 776426-	
2.	326-430H	3696 DISHPAN		
3.	N/A	ASSY CW BLADE CARRIER		
4.	802-277C	BLD BLT 1 1/8-12X3.44 W/.25KEY		
5.	803-170C	NUT HEX TOP LOCK 1 1/8-12 PLT.		
6.	804-147C	WASHER FLAT 1" HARDENED		
7.	820-196C	CUTTER BLADE 1/2X4X20 1/2 CW		
8.	318-586A	BLADE BOLT KIT	Item 1 not included	

Blade Drive 3-Point & Semi-Mount

Applies to RCFM3696



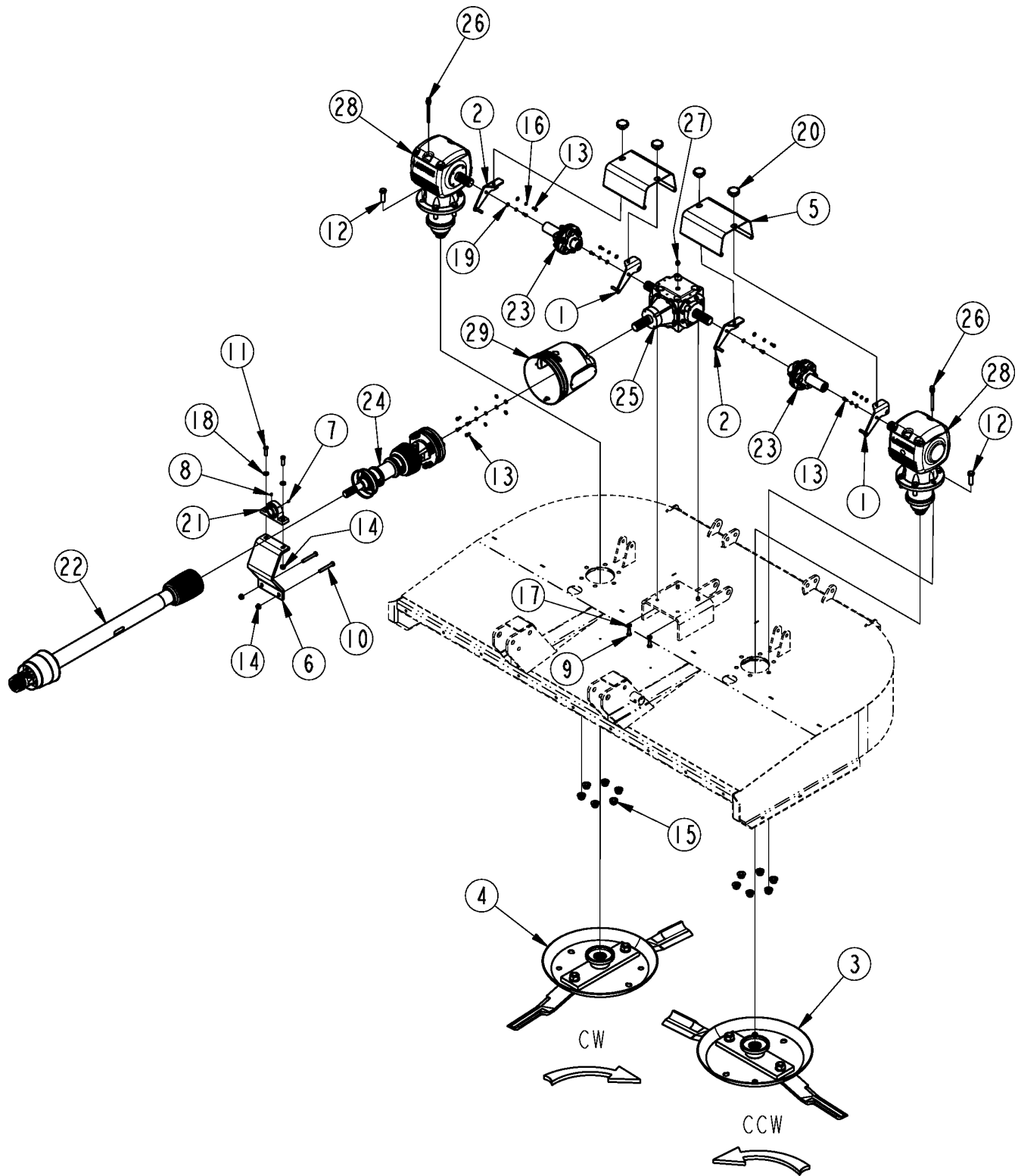
33429

Blade Drive 3-Point & Semi-Mount**Applies to RCFM3696**

Ref	Part No.	Part Description	Comments	Revision
	Dwg 33429	Drawing Image Number		
1.	312-508H	SHIELD BRACKET WELDMENT		
2.	312-509H	SHIELD BRACKET WELDMENT		
3.		SEE BLADE CARRIER CCW FOR COMPONENTS		
4.		SEE BLADE CARRIER CW FOR COMPONENTS		
5.	326-941D	OUTER SHIELD 96		
6.	802-034C	HHCS 1/2-13X1 1/4 GR5		
7.	802-212C	HHCS 3/4-10X2 1/2 GR5		
7.	802-065C	RPBY 802-212C		
8.	802-314C	HHCS M8X1.25X20 GR8.8	S/N _____+	
8.	802-007C	HHCS 5/16-18X3/4 GR5	S/N _____-	
9.	803-299C	NUT HEX FLG TOP LK 3/4-10 PLT		
10.	804-009C	WASHER LOCK SPRING 5/16 PLT		
11.	804-015C	WASHER LOCK SPRING 1/2 PLT		
12.	804-036C	WASHER FLAT 5/16 SAE PLT		
13.	817-259C	KNOB 3/8-16 FEMALE THD 2 3/8OD		
14.	826-224C	FLEX COUPLER 1 3/4-20 (9.21)		
15.	826-255C	RPBY 826-889C	Obsolete (S/N 1365113-)	
15.	826-258C	PTO STD.W/2-PLATE SC CAT4 1000	RCFM3696	
16.	826-356C	T-BOX 1.75-20 1:1.35	RCF3696	
16.	826-424C	T-BOX 1.75-20 1.35:1	RCFM3696	
17.	826-486C	COMER U0.125.7003.00 DIPSTICK		
18.	826-503C	COMER VENT 8.6.7.00161		
19.	826-718C	GBOX RCF36 1.75-20 1:1.77 STD		
20.	837-101C	LAND PRIDE CONE		
20.	826-648C	LARGE SHAFT CONE W ACCESS DOOR	This cone has been replaced with 837-101C	

Blade Drive Pull Type W/ CV

Applies to RCFM3696



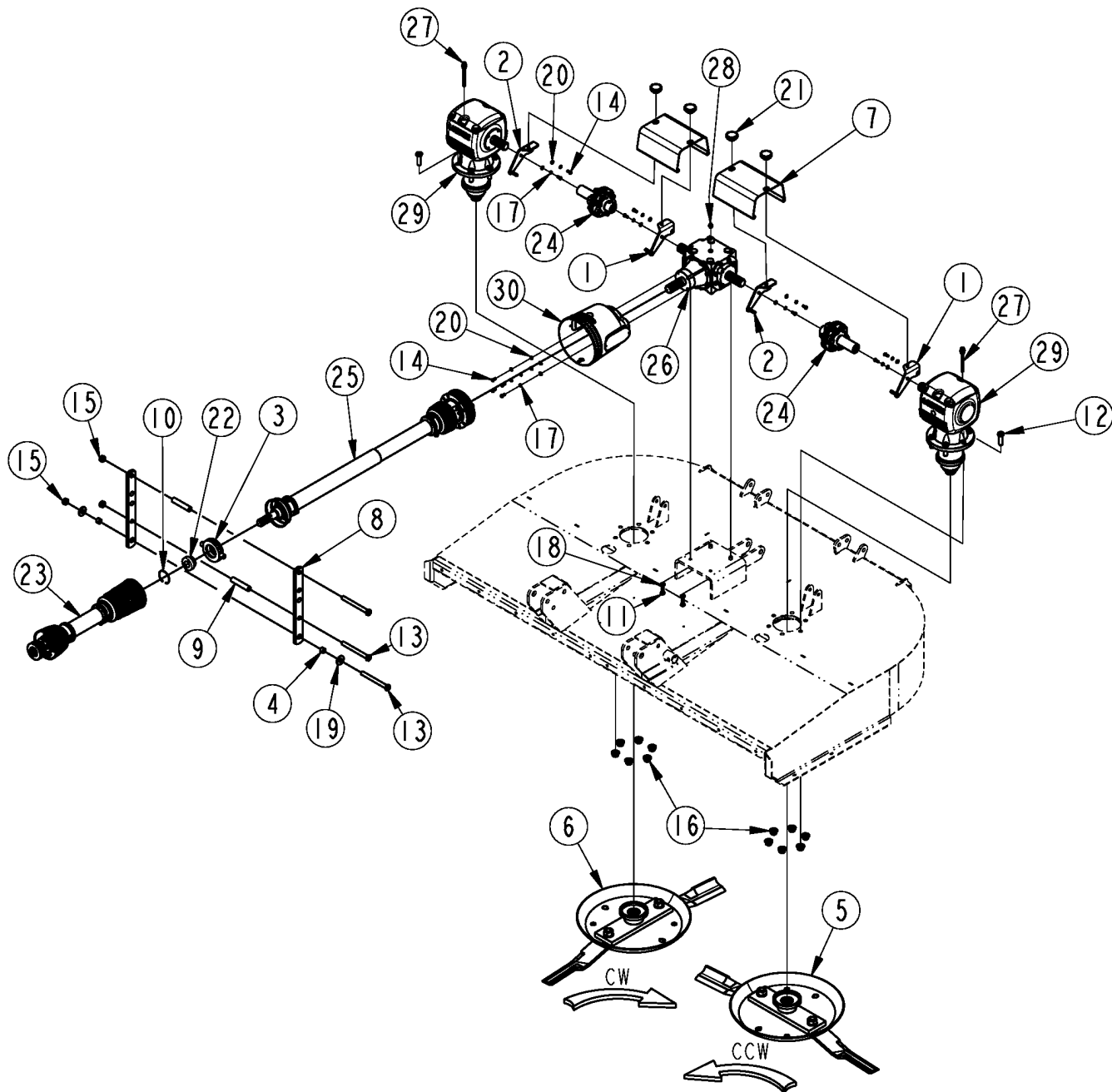
35174

Blade Drive Pull Type W/ CV**Applies to RCFM3696**

Ref	Part No.	Part Description	Comments	Revision
	Dwg 35174	Drawing Image Number		
1.	312-508H	SHIELD BRACKET WELDMENT		
2.	312-509H	SHIELD BRACKET WELDMENT		
3.		SEE BLADE CARRIER CCW FOR COMPONENTS		
4.		SEE BLADE CARRIER CW FOR COMPONENTS		
5.	326-941D	OUTER SHIELD 96		
6.	327-228D	PILLOW BLOCK BEARING SUPPORT		
7.	800-080C	GREASE ZERK 1/4-28 THD FORMING		
8.	801-035C	SCREW SET 5/16-18 SKT KP X 3/8		
9.	802-034C	HHCS 1/2-13X1 1/4 GR5		
10.	802-042C	HHCS 1/2-13X3 3/4 GR5		
11.	802-082C	HHCS 1/2-13X1 3/4 GR5		
12.	802-212C	HHCS 3/4-10X2 1/2 GR5		
12.	802-065C	RPBY 802-212C		
13.	802-314C	HHCS M8X1.25X20 GR8.8	S/N _____ +	
13.	802-007C	HHCS 5/16-18X3/4 GR5	S/N _____ -	
14.	803-037C	NUT HEX WHIZ 1/2-13 PLT		
15.	803-299C	NUT HEX FLG TOP LK 3/4-10 PLT		
16.	804-009C	WASHER LOCK SPRING 5/16 PLT		
17.	804-015C	WASHER LOCK SPRING 1/2 PLT		
18.	804-016C	WASHER FLAT 1/2 SAE PLT		
19.	804-036C	WASHER FLAT 5/16 SAE PLT		
20.	817-259C	KNOB 3/8-16 FEMALE THD 2 3/8OD		
21.	822-094C	BRG PB 1.37ID		
22.	826-053C	PTO CV 2400 X 60 540 RPM	RCF3696	
22.	826-063C	PTO CV 2400 X 60 1000 RPM	RCFM3696	
23.	826-224C	FLEX COUPLER 1 3/4-20 (9.21)		
24.	826-225C	RPBY 826-881C	(Obsolete) RCF3696	
24.	826-226C	PTO W/STUB SHAFT/SC 1000 1 3/4	RCFM3696	
25.	826-356C	T-BOX 1.75-20 1:1.35	RCF3696	
25.	826-424C	T-BOX 1.75-20 1.35:1	RCFM3696	
26.	826-486C	COMER U0.125.7003.00 DIPSTICK		
27.	826-503C	COMER VENT 8.6.7.00161 3/8MNPT		
28.	826-718C	GBOX RCF36 1.75-20 1:1.77 STD		
29.	837-101C	LAND PRIDE CONE		
29.	826-648C	LARGE SHAFT CONE W ACCESS DOOR	This cone has been replaced with 837-101C	

Blade Drive Pull Type W/ Equal Angle

Applies to RCFM3696



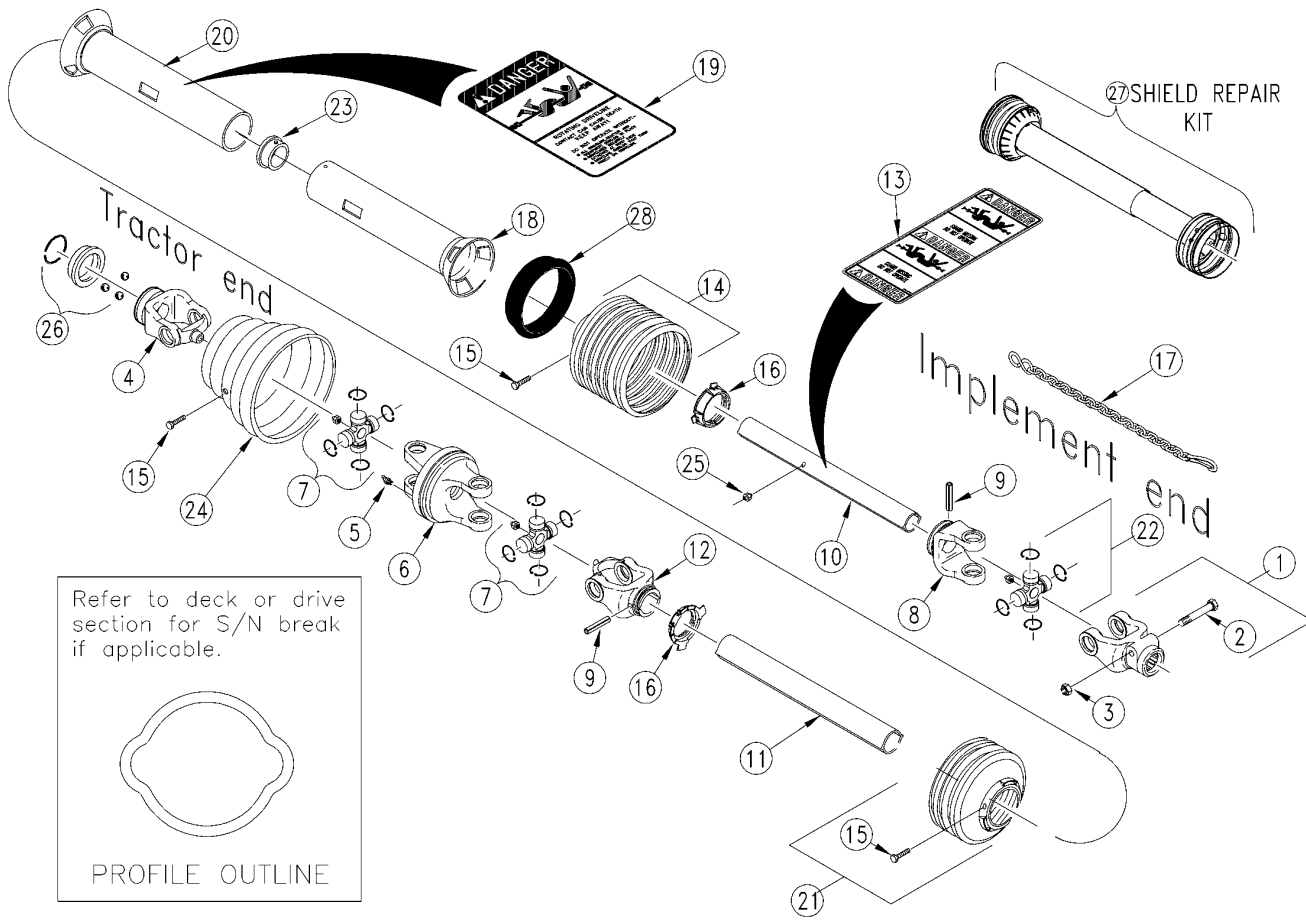
33430

Blade Drive Pull Type W/ Equal Angle**Applies to RCFM3696**

Ref	Part No.	Part Description	Comments	Revision
	Dwg 33430	Drawing Image Number		
1.	312-508H	SHIELD BRACKET WELDMENT		
2.	312-509H	SHIELD BRACKET WELDMENT		
3.	312-999D	CASTING TRUNION MACHINED		
4.	326-002D	TUBE 1 OD X 11/16 LG. X 5/32w		
5.		SEE BLADE CARRIER CCW FOR COMPONENTS		
6.		SEE BLADE CARRIER CW FOR COMPONENTS		
7.	326-941D	OUTER SHIELD 96		
8.	327-571D	TRUNION SUPPORT	S/N _____+	
8.	312-833D	SUPPORT UPRIGHT TRUNION	S/N _____-	
9.	327-593D	TRUNION SPACER	S/N _____+	
9.	312-715D	PIPE 1/2 SCH. 40 X 4 15/16	S/N _____-	
10.	800-069C	SNAP RING INT 2.835		
11.	802-034C	HHCS 1/2-13X1 1/4 GR5		
12.	802-212C	HHCS 3/4-10X2 1/2 GR5		
12.	802-065C	RPBY 802-212C		
13.	802-280C	HHCS 3/4-10X7 1/2 GR5	S/N _____+	
13.	802-146C	HHCS 5/8-11X7 1/2 GR5	S/N _____-	
13.	802-260C	HHCS 1/2-13X7 GR5	S/N _____-	
14.	802-314C	HHCS M8X1.25X20 GR8.8	S/N _____+	
14.	802-007C	HHCS 5/16-18X3/4 GR5	S/N _____-	
15.	803-026C	NUT LOCK 3/4-10 PLT	S/N _____+	
15.	803-019C	NUT LOCK 1/2-13 PLT	S/N _____-	
15.	803-021C	NUT HEX 5/8-11 PLT	S/N _____-	
16.	803-299C	NUT HEX FLG TOP LK 3/4-10 PLT		
17.	804-009C	WASHER LOCK SPRING 5/16 PLT		
18.	804-015C	WASHER LOCK SPRING 1/2 PLT		
19.	804-024C	WASHER FLAT 3/4 USS PLT	S/N _____+	
19.	804-021C	WASHER FLAT 5/8 SAE PLT	S/N _____-	
19.	804-022C	WASHER LOCK SPRING 5/8 PLT	S/N _____-	
20.	804-036C	WASHER FLAT 5/16 SAE PLT		
21.	817-259C	KNOB 3/8-16 FEMALE THD 2 3/8OD		
22.	822-100C	BRG INS 1.37IDX2.83OD LOCK		
23.	826-151C	RPBY 826-892C	S/N 1457365- RCF3696 (Obsolete)	
23.	826-892C	DRVLN C4 20F 1.38-6 QD	S/N 1457366+	
23.	826-223C	PTO CAT. 4 X 22 FIXED 1000	RCFM3696	
24.	826-224C	FLEX COUPLER 1 3/4-20 (9.21)		
25.	826-256C	PTO J/S.W/4-PLATE SC CAT4 540	RCF3696	
25.	826-259C	PTO J/S.W/2-PLATE SC CAT4 1000	RCFM3696	
26.	826-356C	T-BOX 1.75-20 1:1.35	RCF3696	
26.	826-424C	T-BOX 1.75-20 1.35:1	RCFM3696	
27.	826-486C	COMER U0.125.7003.00 DIPSTICK		
28.	826-503C	COMER VENT 8.6.7.00161		
29.	826-718C	GBOX RCF36 1.75-20 1:1.77 STD		
30.	837-101C	LAND PRIDE CONE		
30.	826-648C	LARGE SHAFT CONE W ACCESS DOOR	This cone has been replaced with 837-101C	

Driveline CV Pull Type Cutter 1000 RPM (826-063C) Walterscheid

Applies to RCFM3696

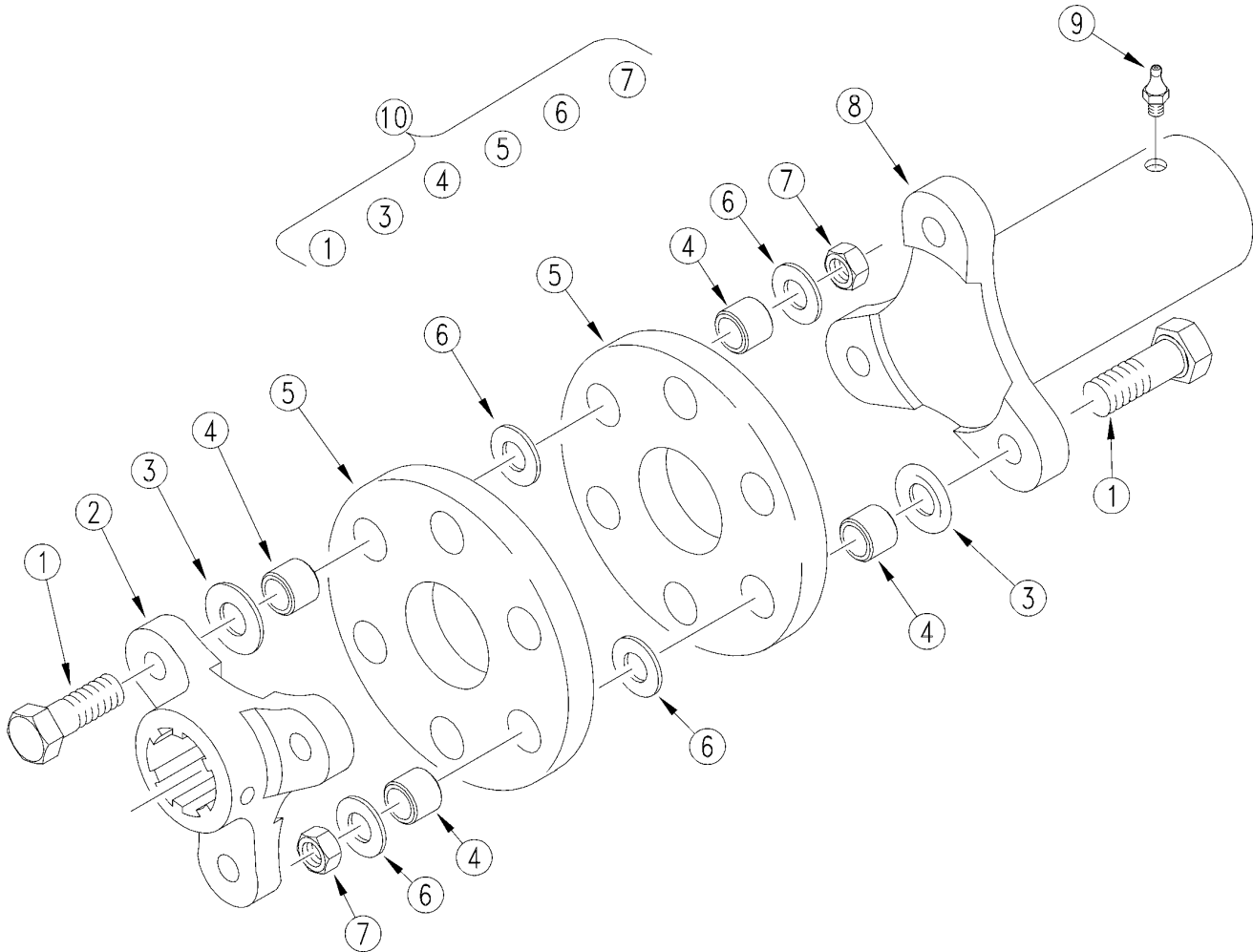


Driveline CV Pull Type Cutter 1000 RPM (826-063C) Walterscheid**Applies to RCFM3696**

Ref	Part No.	Part Description	Comments	Revision
	Dwg 10452 826-063C	Drawing Image Number PTO CV 2400 X 60 1000 RPM *		
1.	320684	WS YOKE 1 3/8-21 SPL		
2.	020469	WS BOLT M12 X 75		
3.	301.008	COSMO SELF LOCK NUT M12		
3.	010490	RPBY 301.008	Obsolete	
4.	695581	WS YOKE 1 3/8-21 ASGE		
5.	020672	WS GREASE ZERK		
6.	365722	WS DOUBLE YOKE		
7.	342221	WS CROSS & BEARING KIT		
8.	019519	WS INBOARD YOKE		
9.	020617	WS SPRING PIN 10 X 20		
10.	383084	WS PROFILE & SLEEVE		
11.	321245	WS INNER PROFILE 16 GA		
12.	134713	WS INBOARD YOKE 1B		
13.	383334	WALTERSCHEID DNGR DECAL-STEEL		
14.	377341	WS SHIELD CONE 11 RIB		
15.	365305	WALTERSCHEID SCREW		
16.	087276	WS BEARING RING - SC25		
17.	044321	WALTERSCHEID SAFETY CHAIN	S/N 928934-	
18.	384064	WS INNER SHIELD TUBE-ROUND		
19.	383333	WALTERSCHEID DANGER DECAL-SHLD		
20.	388434	RPBY 371649	Obsolete	
21.	172758	WS SHIELD CONE 3 RIB		
22.	312410	WS CROSS BEARING KIT		
23.	355155	WS SUPPORT BEARING		
24.	386083	WS CV CONE & BEARING ASSY		
25.	380371	WS ZERK		
26.	390404	WS ASGE COLLAR KIT		
27.	826-589C	SHIELD KIT, 826-063C		
28.	359471	WS REINFORCING COLLAR		

Driveline Flex Coupler (826-224C) Eurocardan

Applies to RCFM3696



16886

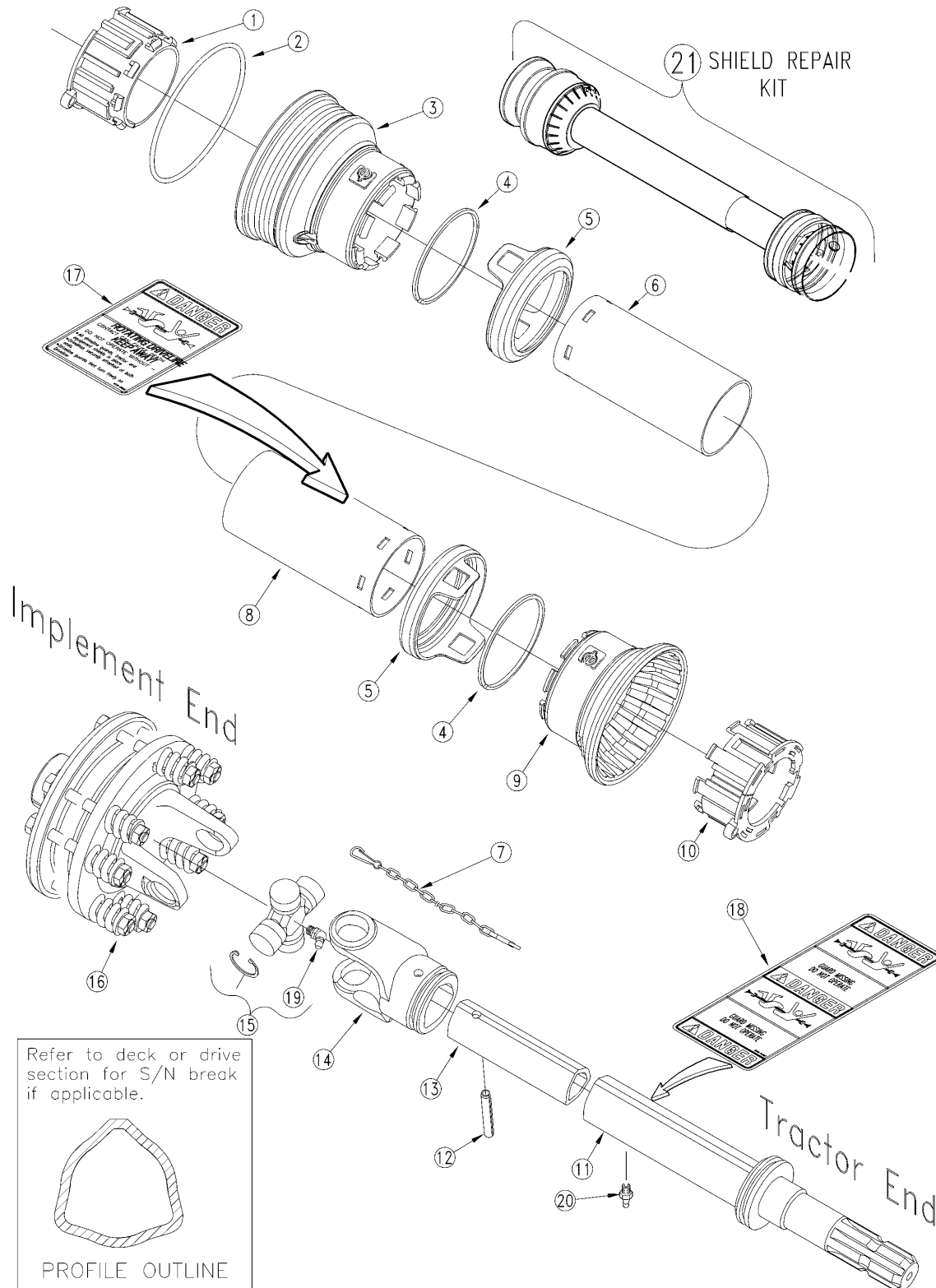
Driveline Flex Coupler (826-224C) Eurocardan

Applies to RCFM3696

Ref	Part No.	Part Description	Comments	Revision
	Dwg 16886	Drawing Image Number		
	826-224C	FLEX COUPLER 1 3/4-20 (9.21)		
1.		EC BOLT	Only sold in kit #10	
2.	1705278	EC SPIDER 1 3/4-20 W/TAP HOLE	1 3/4-20	
3.		EC WSH. BD. 35mm O.D/16.5mm I.D	Only sold in kit #10	
4.		EC BOLT BUSHING	Only sold in kit #10	
5.	1785273	EC RUBBER DISC	Can be ordered seperately & in kit #10	
6.		EC WASHER 29.8mm O.D/17.2mm I.D	Only sold in kit #10	
7.		EC NUT	Only sold in kit #10	
8.	1005220	EC SPIDER TUBE		
9.	6560208	EC GREASE ZERK M8 STRAIGHT	S/N 639636-	
10.	312-608A	FLEX COUPLER KIT	Includes items 1, 3, 4, 5, 6 & 7	

Driveline Jackshaft (1000 RPM) (826-259C) Eurcardan

Applies to RCFM3696



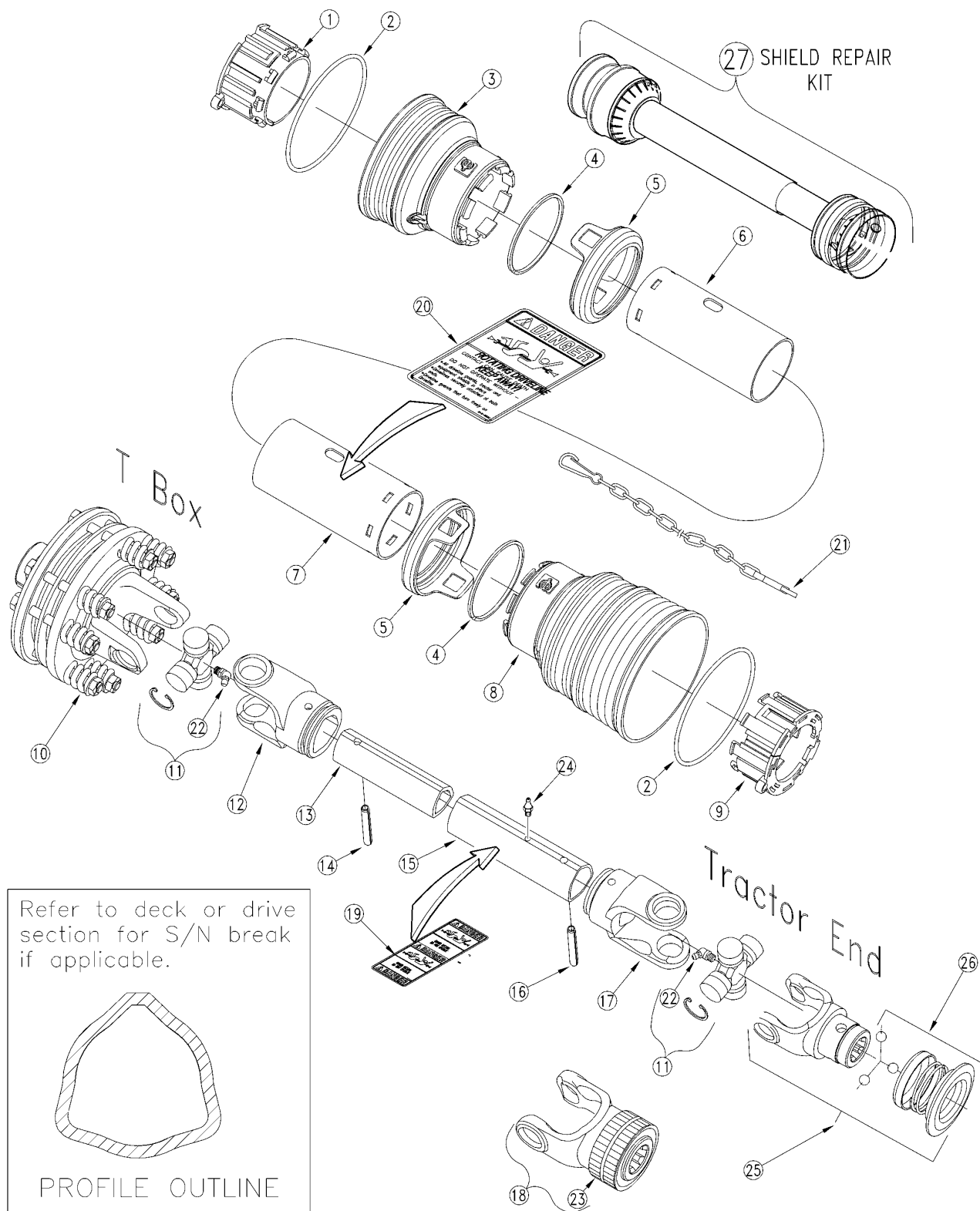
16173

Driveline Jackshaft (1000 RPM) (826-259C) Eurcardan**Applies to RCFM3696**

Ref	Part No.	Part Description	Comments	Revision
	Dwg 16173	Drawing Image Number		
	826-259C	PTO J/S.W/2-PLATE SC CAT4 1000		
1.	1786711	EC TUBE BEARING (INNER TUBE)		
2.	1215733	EC STIFFENING RING		
3.	1885702	EC SHORT CONE		
4.	1215735	EC STOP RING		
5.	1885709	EC SAFETY SLEEVE		
6.	1877305	EC INNER TUBE SHIELD	S/N 670486+	
6.	1877066	RPBY 1877305	S/N 670485-	
7.	044321	DRIVELINE SHIELD SAFETY CHAIN	S/N 928934-	
8.	1876305	EC OUTER TUBE SHIELD	S/N 670486+	
8.	1876066	RPBY 1876305	S/N 670485-	
9.	1885705	EC EXTRA SHORT CONE (FOR MX)		
10.	1786710	EC TUBE BEARING (OUTER TUBE)		
11.	1896315N327	EC OUTER TUBE ASSEMBLY	S/N 670486+	
11.	1896071N327	RPBY 1896315N327	S/N 670485-	
12.	6331070	EC 10X70 ROLL PIN		
13.	1526070	EC INNER TUBE (1526084) 840MM		
14.	1706029	EC INNER TUBE YOKE		
15.	1006020	EC CROSS ASSEMBLY		
16.	1406128	EC TORQUE LIMITER, (FD 2)		
16.	1406028	RPBY 1406128		
17.	818-552C	DECAL DANGER PTO DRIVELINE		
18.	818-540C	DECAL DANGER GUARD MISS PTO		
19.	6560508	EC GREASE ZERK 8X1 45 DEG.		
20.	6561306	EC GREASE ZERK M6X1 EXTRA SHRT	S/N 670486+	
21.	826-571C	SHIELD KIT, 826-259C		

Driveline Lift Type Cutter 1000 RPM (826-258C) Eurocardan

Applies to RCFM3696



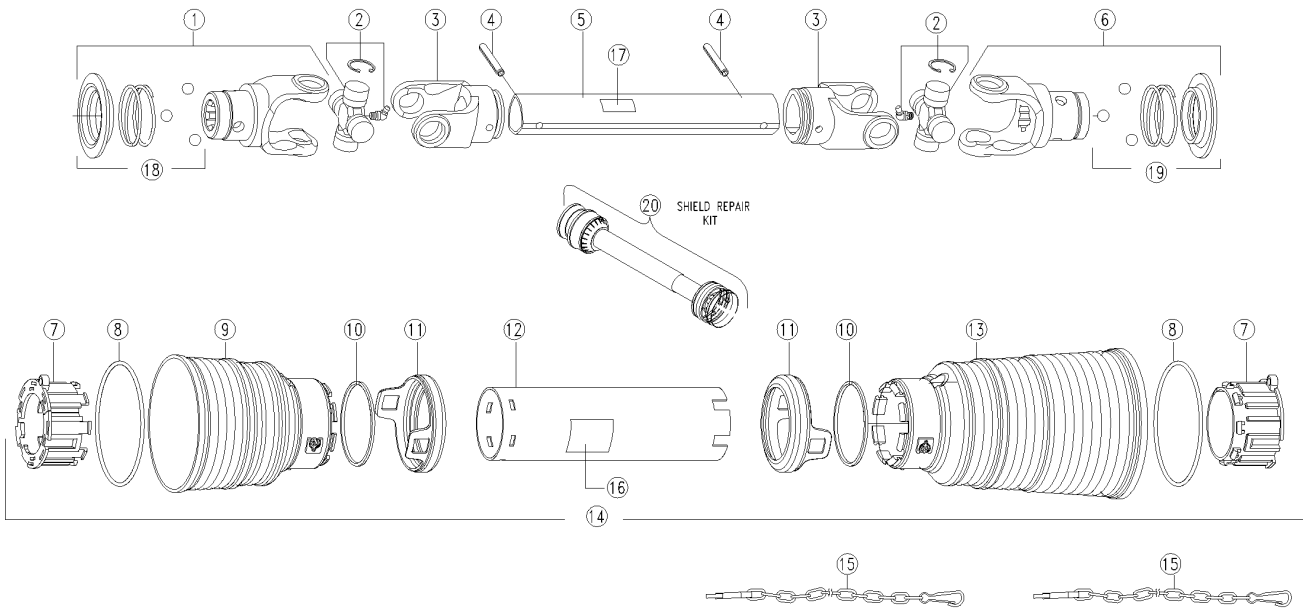
22283

Driveline Lift Type Cutter 1000 RPM (826-258C) Eurocardan**Applies to RCFM3696**

Ref	Part No.	Part Description	Comments	Revision
	Dwg 22283	Drawing Image Number		
	826-258C	PTO STD.W/2-PLATE SC CAT4 1000		
1.	1786711	EC TUBE BEARING (INNER TUBE)		
2.	1215733	EC STIFFENING RING		
3.	1885702	EC SHORT CONE		
4.	1215735	EC STOP RING		
5.	1885709	EC SAFETY SLEEVE		
6.	1877052	EC INNER TUBE SHEILD		
7.	1876052	EC OUTER TUBE SHEILD		
8.	1885703	EC STANDARD CONE		
9.	1786710	EC TUBE BEARING (OUTER TUBE)		
10.	1406116	EC CLUTCH FD2/6 1 3/4" Z20		
10.	1406016	RPBY 1406116		
11.	1006020	EC CROSS ASSEMBLY		
12.	1706029	EC INNER TUBE YOKE		
13.	1526062	EC INNER TUBE (1526084) 620MM		
14.	6331070	EC 10X70 ROLL PIN		
15.	1528062	EC OUTER TUBE (1528084) 620MM		
16.	6331080	EC 10X80-DIN-1481 O/TUBE R/PIN		
17.	1706027	EC OUTER TUBE YOKE		
18.	1016015	EC YOKE ASSEMBLY (TRACT. END)	1 3/8-21	
19.	818-540C	DECAL DANGER GUARD MISS PTO		
20.	818-552C	DECAL DANGER PTO DRIVELINE		
21.	044321	DRIVELINE SHIELD SAFETY CHAIN	S/N 928934-	
22.	6560508	EC GREASE ZERK 8X1 45 DEG.		
23.	1004220	EC TWIST COLLAR KIT (TRT. END)		
24.	6560006	EC GREASE ZERK M6X1 STRAIGHT		
25.	1016017	EC YOKE ASSEMBLY (TRACTOR END)	1 3/8-21	
26.	1004225	EC PULL COLLAR KIT		
27.	826-569C	SHIELD KIT, 826-255C &826-258C		

Driveline Pull Type Conv. 1000 RPM (826-223C) Eurocardan

Applies to RCFM3696



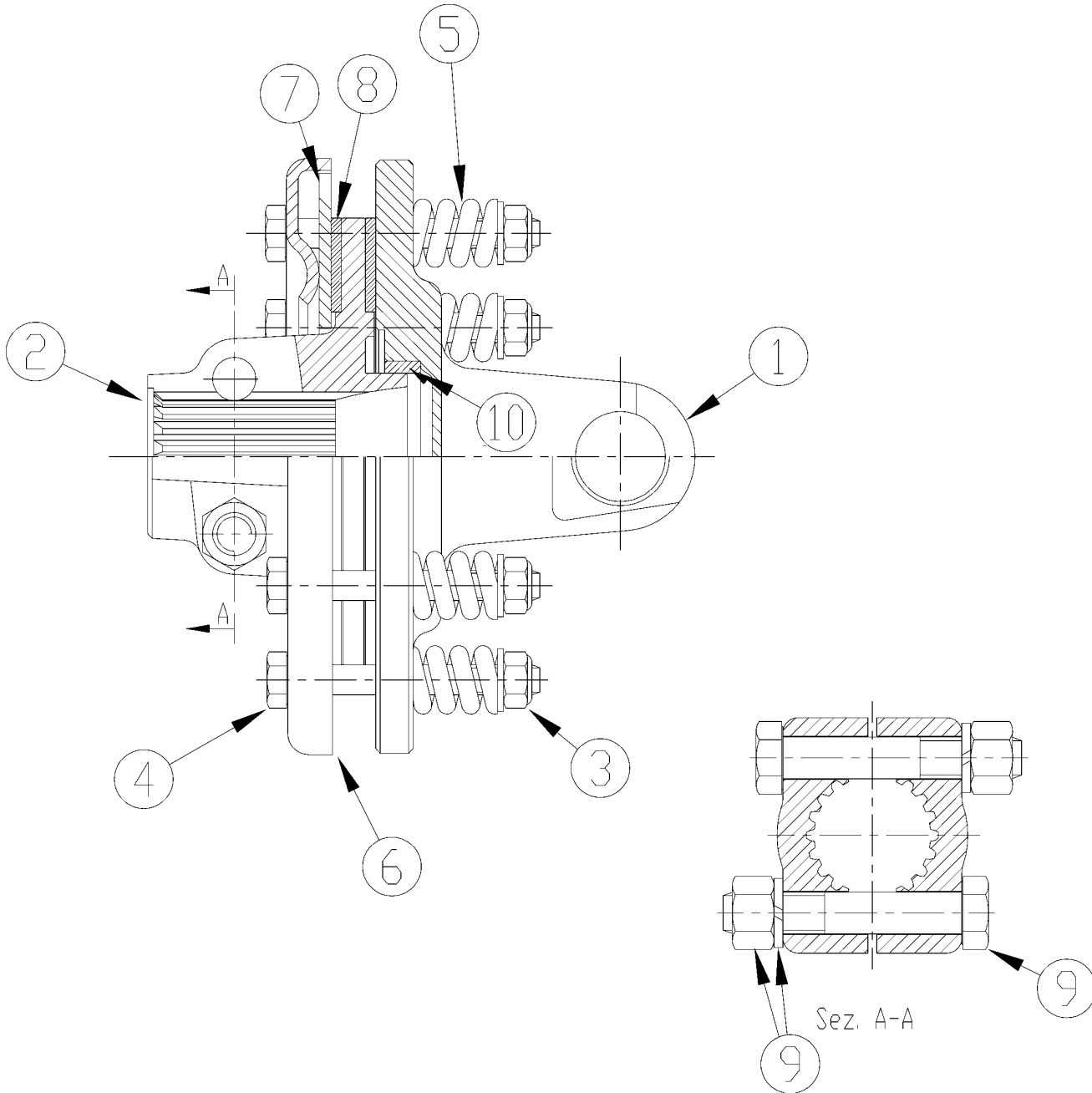
6370a

Driveline Pull Type Conv. 1000 RPM (826-223C) Eurocardan**Applies to RCFM3696**

Ref	Part No.	Part Description	Comments	Revision
	Dwg 16370a 826-223C	Drawing Image Number PTO CAT. 4 X 22 FIXED 1000 *		
1.	1016013	EC YOKE ASSEMBLY		
2.	1006020	EC CROSS ASSEMBLY		
3.	1706027	EC OUTER TUBE YOKE		
4.	6331080	EC 10X80-DIN-1481 O/TUBE R/PIN		
5.	1528044D	EC OUTER TUBE		
6.	1016013	EC YOKE ASSEMBLY		
7.	1786710	EC TUBE BRG (OUTER TUBE)		
8.	1215733	EC STIFFENING RING		
9.	1885703	EC STANDARD CONE		
10.	1215735	EC STOP RING		
11.	1885709	EC SAFETY SLEEVE		
12.	1876034D	EC OUTER TUBE (1876094) 340MM		
13.	1885704	EC LONG CONE		
14.	91SL6034D	EC COMPLETE PROTECTION		
15.	044321	DRIVELINE SHIELD SAFETY CHAIN	S/N 928934-	
16.	818-552C	DECAL DANGER PTO DRIVELINE		
17.	818-540C	DECAL DANGER GUARD MISS PTO		
18.	1004227	EC PULL COLLAR KIT EVOLUTION		
19.	1004227	EC PULL COLLAR KIT EVOLUTION		
20.	826-568C	SHIELD KIT, 826-223C		

Driveline Slip Clutch (1406128) EC

Applies to RCFM3696



30197

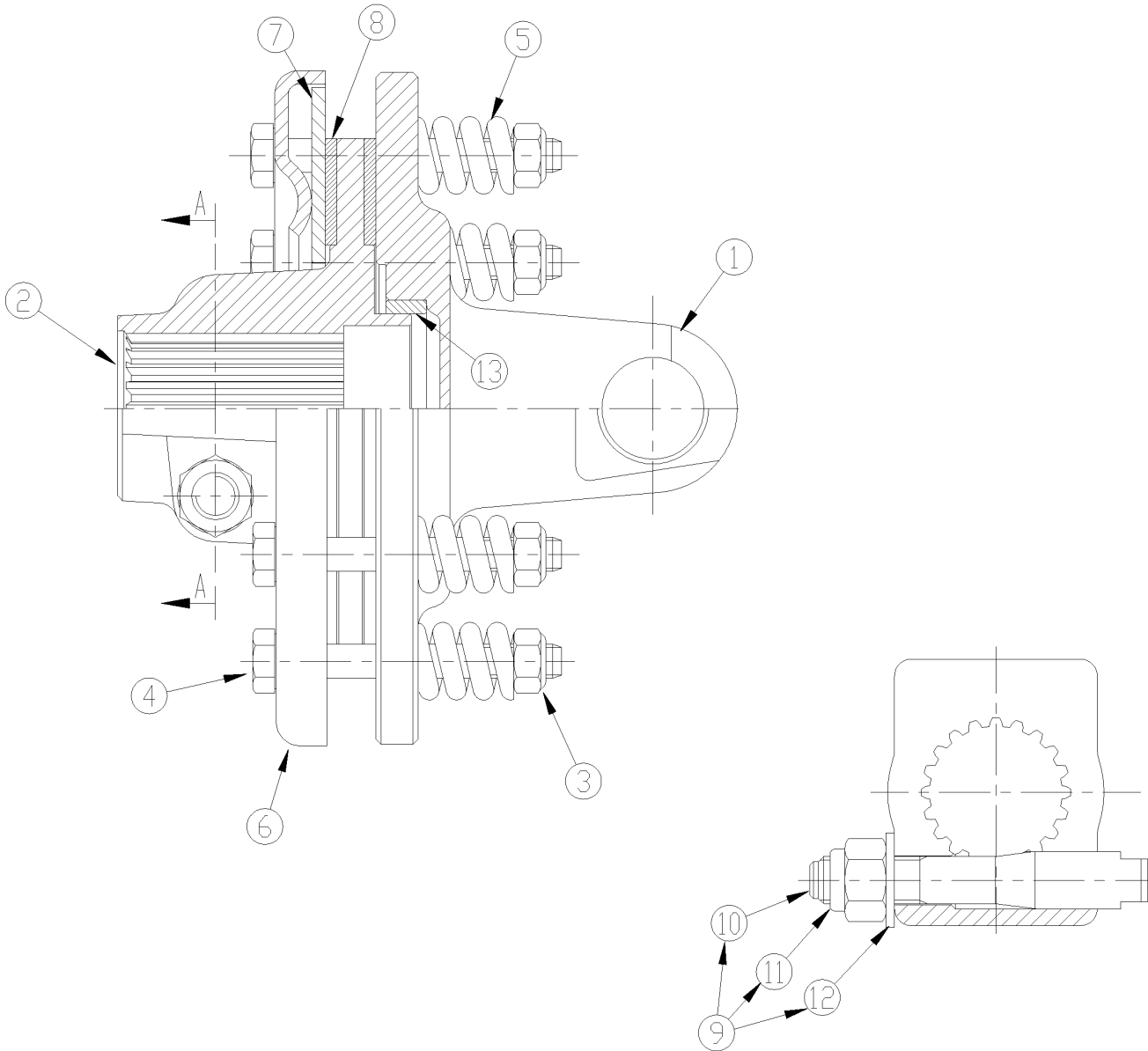
Driveline Slip Clutch (1406128) EC

Applies to RCFM3696

Ref	Part No.	Part Description	Comments	Revision
	Dwg 30197 1406128	Drawing Image Number EC TORQUE LIMITER, (FD 2) *		
1.	1706033	EC CLUTCH YOKE W/FLANGE		
2.	1706314	FD2 HUB 1 3/4 WITH FLANGE		
3.	803-279C	NUT HEX M10X1.5 PLT		
4.	6001085	RPBY 6131085	Obsolete	
5.	1215010	EC SPRING		
6.	1138007	EC PRESSURE DISK		
7.	1138008	EC INNER DISK		
8.	1808010	EC CLUTCH LINING RING		
9.	6761480	EC BOLT, NUT & WASHER KIT		
10.	1705009	EC CLUTCH BUSHING		

Driveline Slip Clutch 1000 RPM (1406116) Eurocardan

Applies to RCFM3696



33826

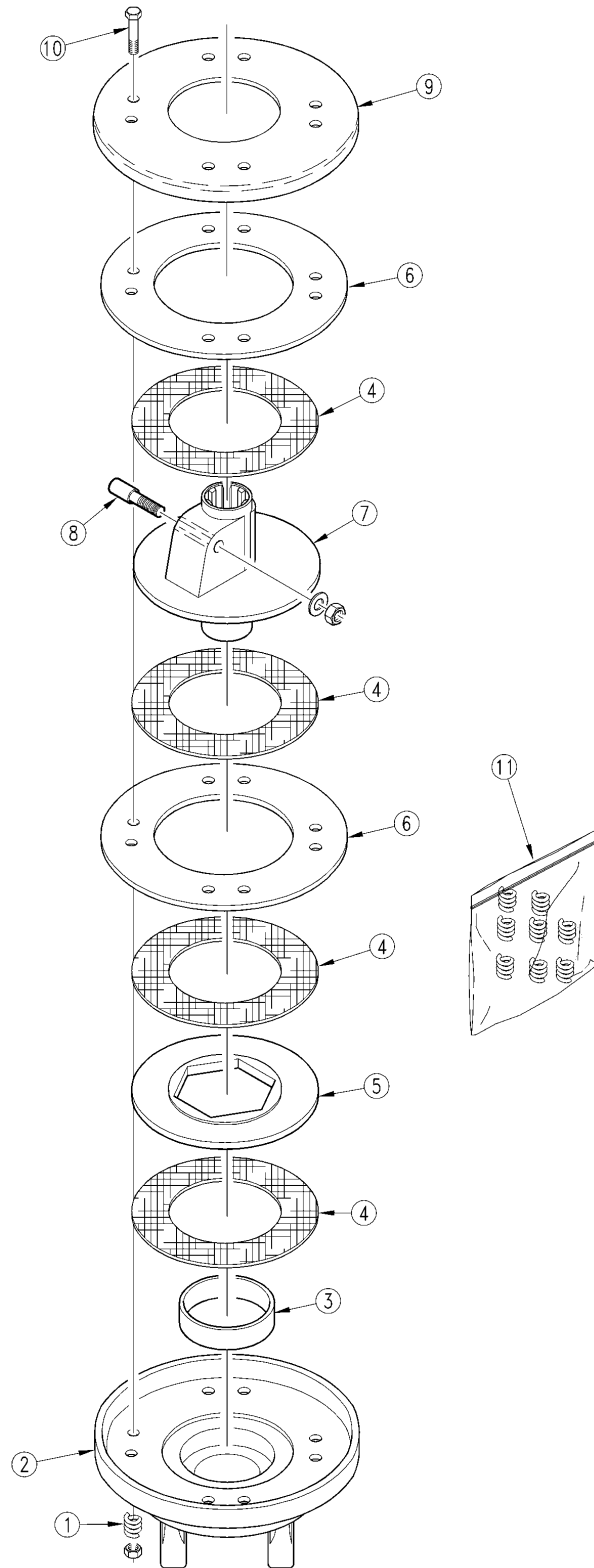
Driveline Slip Clutch 1000 RPM (1406116) Eurocardan

Applies to RCFM3696

Ref	Part No.	Part Description	Comments	Revision
	Dwg 33826 1406116	Drawing Image Number EC CLUTCH FD2/6 1 3/4" Z20 *		
1.	1707033	EC FD2-4/6 FLANGE WITH YOKE		
2.	1708017	EC HUB WITH FLANGE		
3.	803-279C	NUT HEX M10X1.5 PLT		
4.	6001085	RPBY 6131085	Obsolete	
5.	1215010	EC SPRING		
6.	1138007	EC PRESSURE DISK		
7.	1138008	EC INNER DISK		
8.	1808010	EC CLUTCH LINING RING		
9.	6821484	CONICAL DOG KIT		
10.	1236039	RPBY 6821484		
11.	6410614	EC SELF LOCK SCREW NUT (M14)		
12.	6412014	EC WASHER (D14)		
13.	1705009	EC CLUTCH BUSHING		

Driveline Slip Clutch 540/1000 RPM (1446016) EC

Applies to RCFM3696



15521

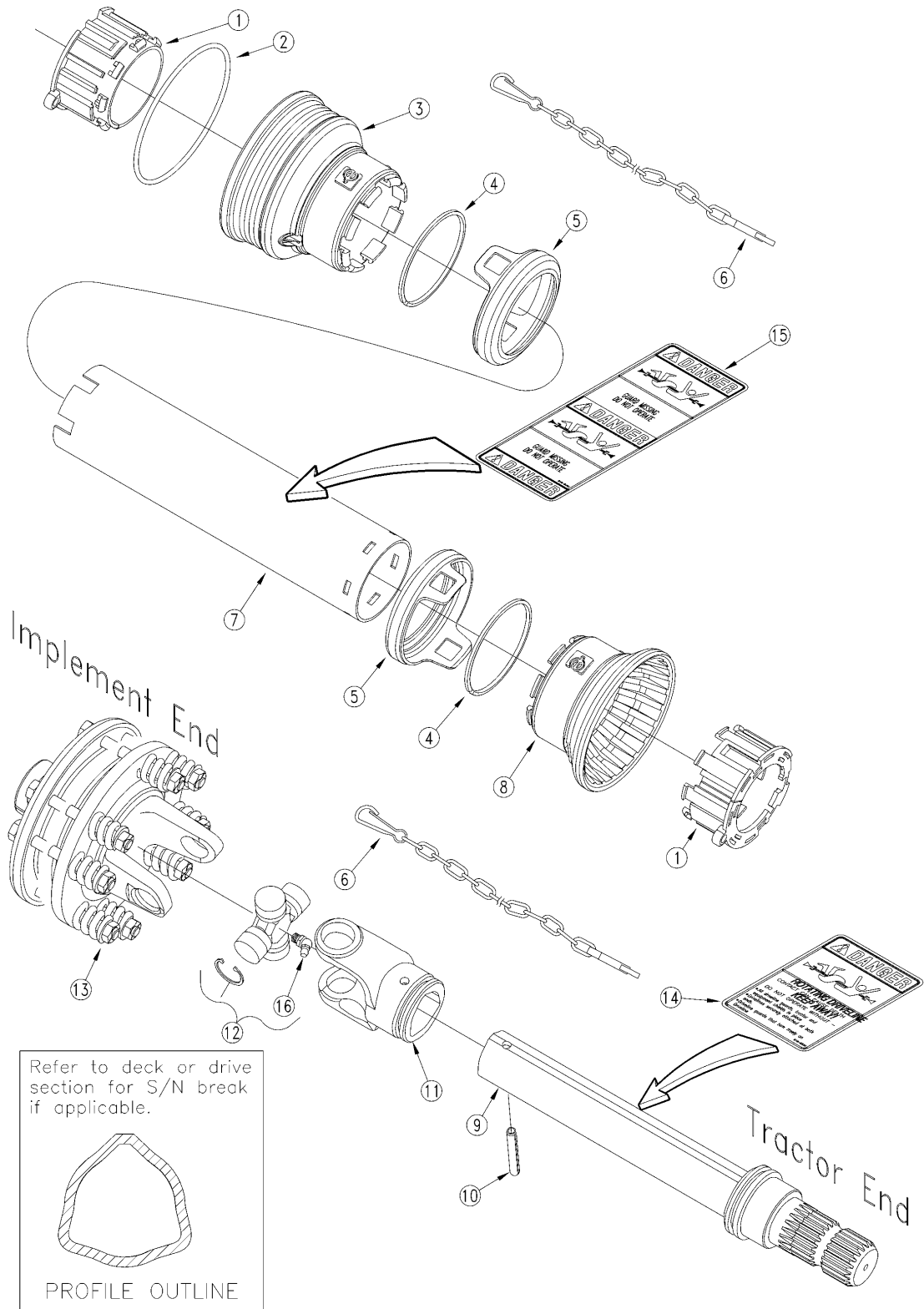
Driveline Slip Clutch 540/1000 RPM (1446016) EC

Applies to RCFM3696

Ref	Part No.	Part Description	Comments	Revision
	dwg15521	Drawing Image Number		
	1446016	EC CLUTCH FD4/6 1 3/4 20 SPL *		
1.	1215012	RPBY 330-297A		
2.	1706033	EC CLUTCH YOKE W/FLANGE		
3.	1705009	EC CLUTCH BUSHING		
4.	1808010	EC CLUTCH LINING RING		
5.	1708034	EC CLUTCH MIDDLE DISK		
6.	1138008	EC INNER DISK		
7.	1708016	EC HUB WITH FLANGE		
8.	6821484	EC CONICAL DOG KIT REPLACEMENT	Includes nut and washer	
9.	1138007	EC PRESSURE DISK		
10.	6691010	EC BOLT & SCREW NUT KIT REPL.		
11.	330-297A	SV KIT, EC SLIP CLUTCH SPRING	Contains 8 Springs	

Driveline Stub Shaft Pull Type 1000 RPM (826-226C) Eurocardan

Applies to RCFM3696



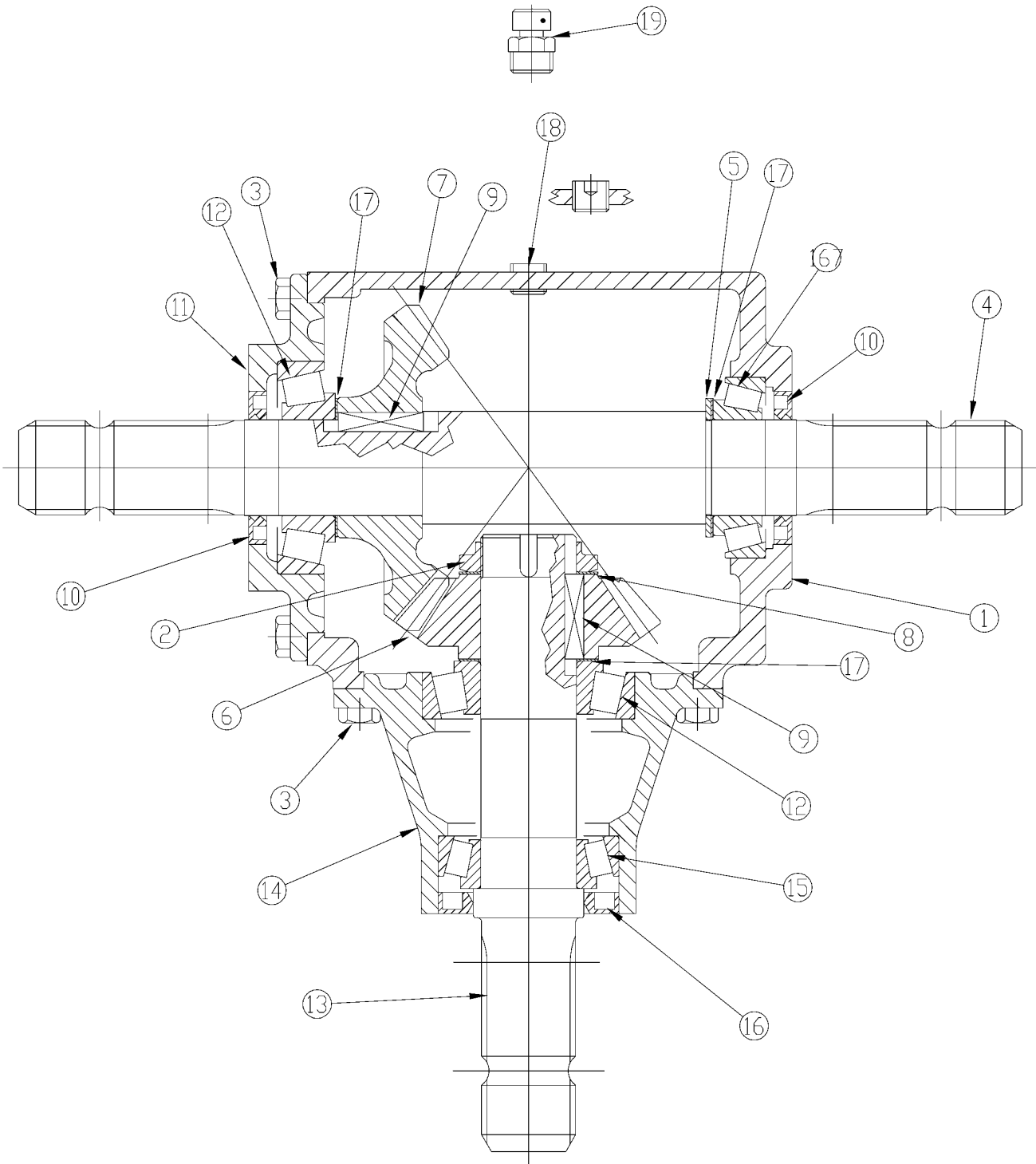
15995

Driveline Stub Shaft Pull Type 1000 RPM (826-226C) Eurocardan**Applies to RCFM3696**

Ref	Part No.	Part Description	Comments	Revision
	Dwg 15995 826-226C	Drawing Image Number PTO W/STUB SHAFT/SC 1000 1 3/4 *		
1.	1786710	EC TUBE BEARING (OUTER TUBE)		
2.	1215733	EC STIFFENING RING		
3.	1885702	EC SHORT CONE		
4.	1215735	EC STOP RING		
5.	1885709	EC SAFETY SLEEVE		
6.	044321	DRIVELINE SHIELD SAFETY CHAIN	S/N 928934-	
7.	1876025D	EC OUTER TUBE SHEILD		
8.	1885705	EC EXTRA SHORT CONE (FOR MX)		
9.	1896030S821	EC OUTER TUBE ASSY (HRDND)		Rev. 2
9.	1896030D821	EC OUTER TUBE ASSY		Rev. 1
10.	6331080	EC 10X80-DIN-1481 O/TUBE R/PIN		
11.	1706027	EC OUTER TUBE YOKE		
12.	1006020	EC CROSS ASSEMBLY		
13.	1406116	EC CLUTCH FD2/6 1 3/4" Z20		
13.	1406016	RPBY 1406116		
14.	818-552C	DECAL DANGER PTO DRIVELINE		
15.	818-540C	DECAL DANGER GUARD MISS PTO		
16.	6560508	EC GREASE ZERK 8X1 45 DEG.		

Gearbox (826-424C) Comer

Applies to RCFM3696



22348

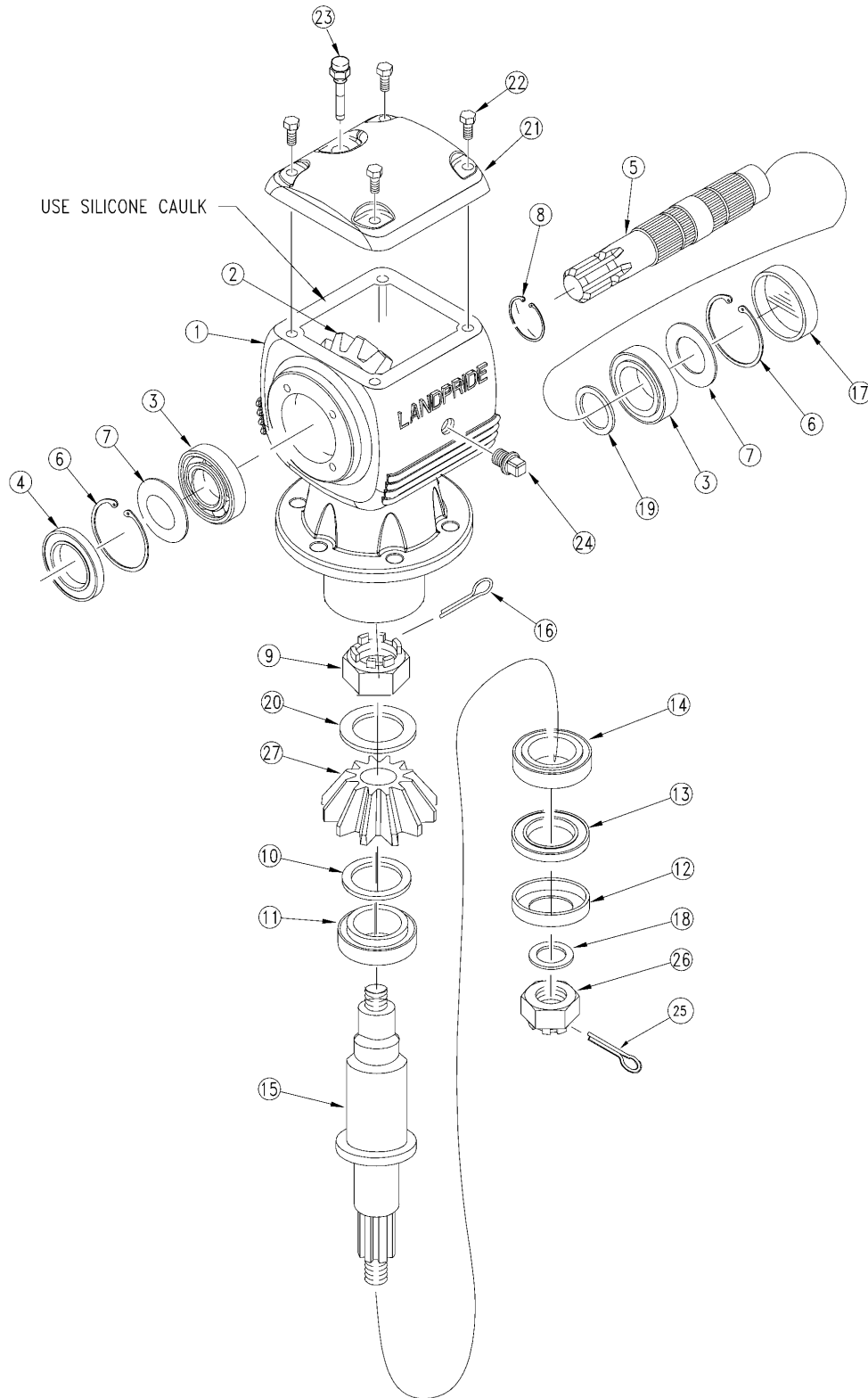
Gearbox (826-424C) Comer**Applies to RCFM3696**

Ref	Part No.	Part Description	Comments	Revision
	Dwg 22348	Drawing Image Number		
	826-424C	T-BOX 1.75-20 1.35:1		
		*		
1.	0.279.0305.00	CO CASING		
2.	0.278.7104.00	CO NUT LOCK M45 X 1.5		
3.	8.1.1.00501	CO BOLT M10X22 HHB		
4.	0.279.3016.00	CO THROUGH SHAFT 1 3/4" Z20		
5.	0.252.7525.00	CO SHIM 45.3X2.5		
6.	0.279.5001.00	CO GEAR PINION Z20 M5.7		
7.	0.279.6001.00	CO GEAR CROWN Z27 M5.7		
8.	0.252.7510.00	CO SHIM (45.3X65.3X1)		
9.	8.4.1.00978	CO PARALLEL KEY B 14 X 9 X 40		
10.	8.7.1.02686	CO DUST LIP 45 X 72 X 8		
11.	0.279.1315.00	CO COVER		
12.	8.0.9.00107	CO RL BRG 30309 (45X100X27.25)		
13.	0.279.2013.00	CO INPUT SHAFT 1 3/4" Z20		
14.	0.279.1313.00	CO EXTENSION		
15.	8.0.9.00125	CO BEARING 32209		
16.	8.7.3.02685	CO OIL SEAL 52 X 85 X 10		
17.	A252.500	CO SHIM 65.3MM RTA25		
18.	8.6.6.00201	CO PLUG 3/8 GAS		
19.	8.6.7.00161	CO OIL FILLER PLUG 3/8		
		*		

Notes: Oil Type 80-90W Capacity 5.5 Pints

Gearbox (826-718C)

Applies to RCFM3696



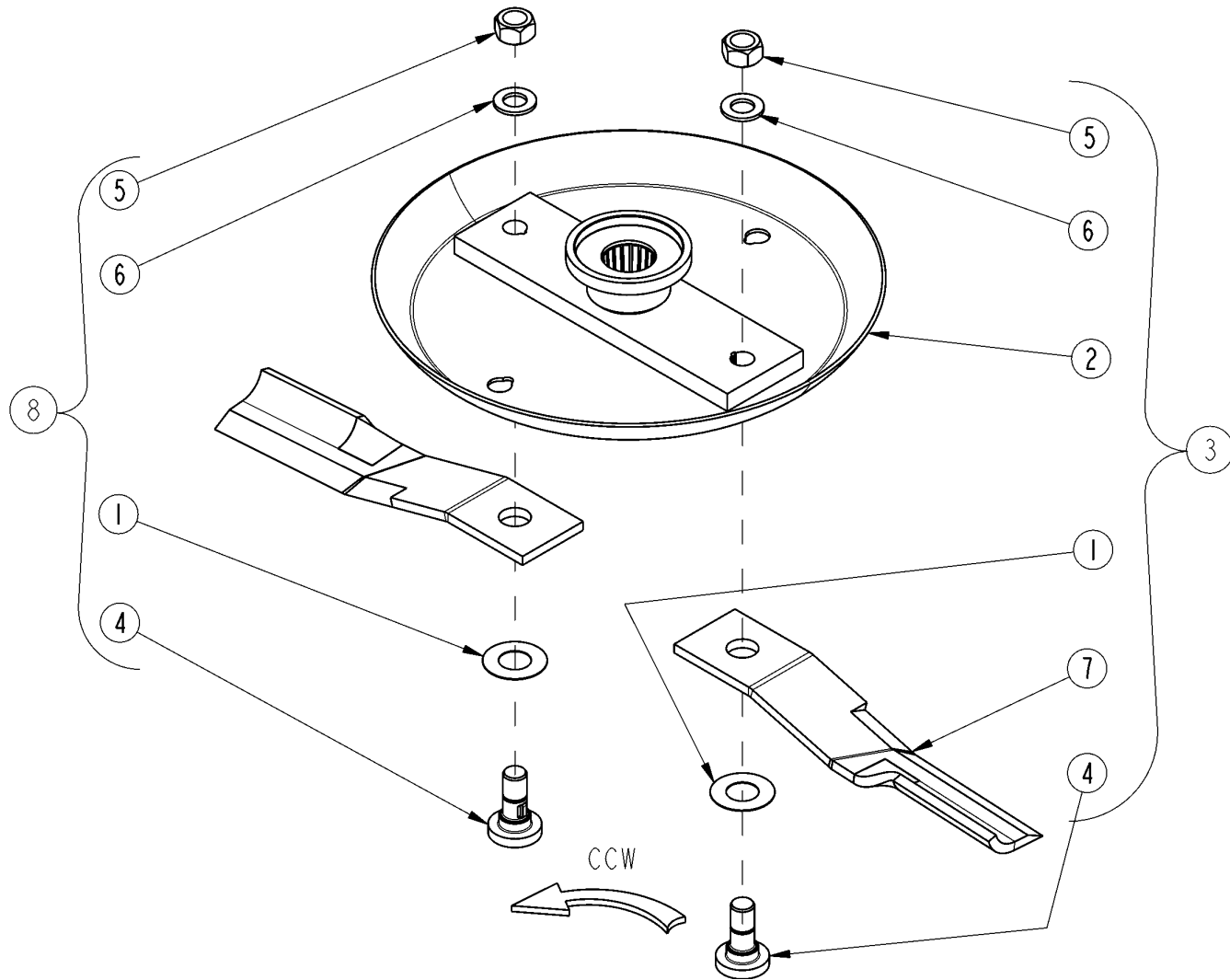
33448

Gearbox (826-718C)**Applies to RCFM3696**

Ref	Part No.	Part Description	Comments	Revision
	Dwg 33448	Drawing Image Number		
	826-718C	GBOX RCF36 1.75-20 1:1.77 STD *		
1.	U0.125.0531.00	CO CASTING & MACHINING		
2.	U0.125.6007.00	CO GEAR CROWN Z23 M7.7		
3.	8.0.9.00143	CO BRG 30209 TAPPERED		
4.	8.7.3.00331	CO OIL SEAL 45 X 85 X 10 SL		
5.	U0.125.2000.03	CO 1 3/4" Z20 INPUT SHAFT		
6.	8.5.2.00332	CO SNAP RING UNI 7437		
7.	A.709.500	COMER SHIM KIT		
8.	8.5.1.00533	CO SNAP RING 50 UNI7435		
9.	0.132.7107.00	CO NUT M40X1.5		
10.	A.712.500	COMER SHIM KIT		
11.	8.0.9.01090	CO BRG 32210 TAPPERED		
12.	1.181.7101.00	CO SEAL PROTECTOR		
13.	8.7.1.02349	CO OIL SEAL 60X110X12 SL		
14.	8.0.9.00079	CO BRG 30212 TAPPERED		
15.	U0.125.3005.00	CO OUTPUT SHAFT		
16.	8.4.7.02265	CO COTTER PIN B 5X60		
17.	0.121.7101.00	CO CAP		
18.	0.288.7101.00	CO BLANK WASHER		
19.	0.252.7525.00	CO SHIM 45.3X2.5		
20.	0.285.7510.00	CO SHIM 40.3 X 61.7 X 1		
21.	U0.125.1303.00	CO TOP COVER		
22.	8.1.1.00501	CO BOLT M10X22 HHB		
23.	826-486C	COMER U0.125.7003.00 DIPSTICK		
24.	8.6.5.00006	CO OIL PLUG 3/8		
25.	8.4.7.01045	CO COTTER PIN B6X70 SLD-SPRTLY		
26.	8.2.2.00560	CO CASTLE NUT M36X3		
27.	U0.125.5007.00	CO GEAR PINION Z13 M7.7		

Blade Carrier CCW

Applies to RCF3696



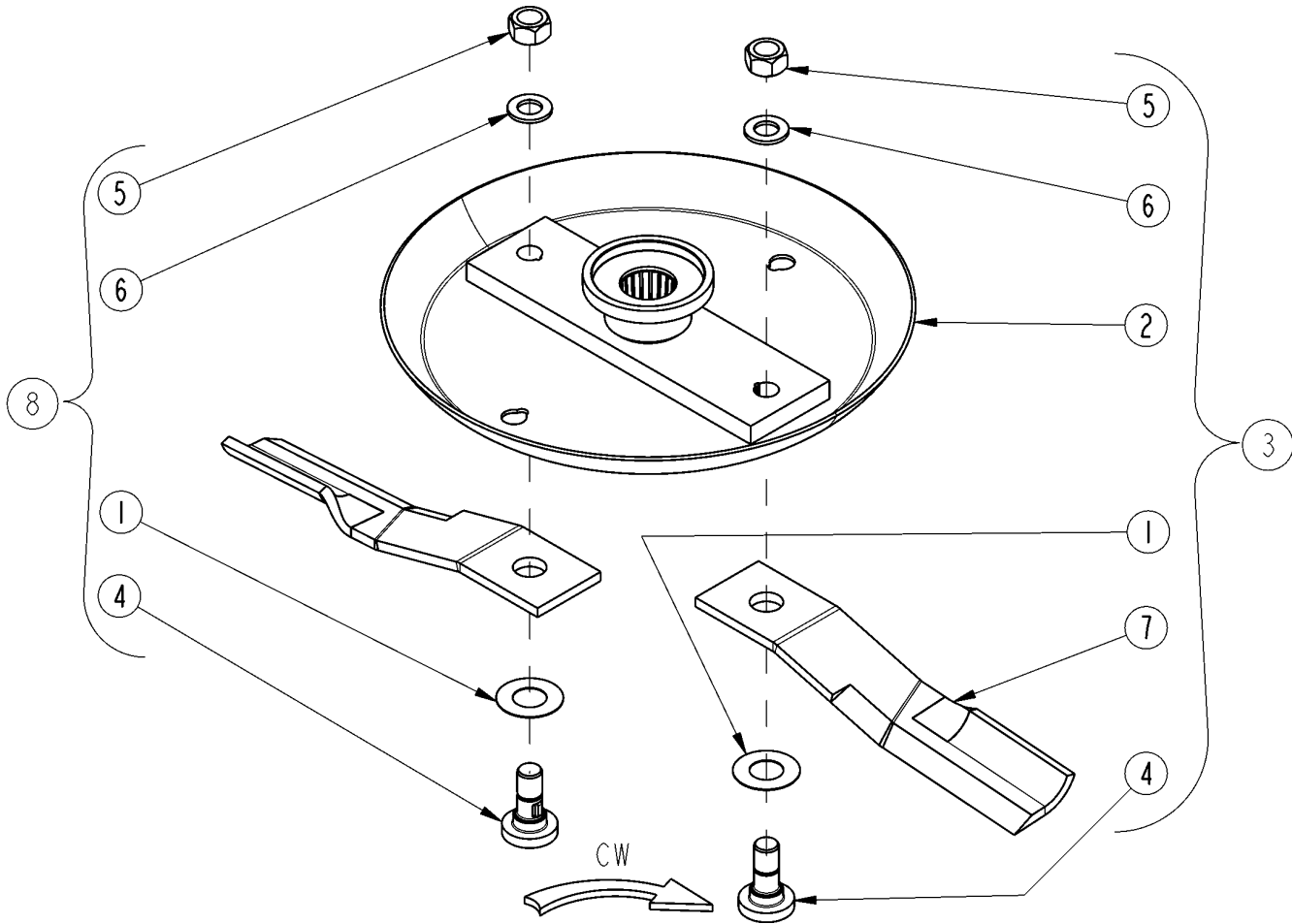
33427

Blade Carrier CCW**Applies to RCF3696**

Ref	Part No.	Part Description	Comments	Revision
	Dwg 33427 326-433S	Drawing Image Number ASSY CCW BLADE CARRIER *		
1.	312-082D	RPBY 312-808D QTY 2	As Required S/N 776426-	
1.	312-075D	BLADE SPACER 16 GA. .064 THICK	As Required S/N 776426-	
1.	312-089D	BLADE SPACER 20 GA. .04 THICK	As Required S/N 776426-	
1.	312-808D	BLADE SPACER 24 GA. .03 THICK	As Required S/N 776426-	
2.	326-430H	3696 DISHPAN		
3.	N/A	ASSY CCW BLADE CARRIER		
4.	802-277C	BLD BLT 1 1/8-12X3.44 W/.25KEY		
5.	803-170C	NUT HEX TOP LOCK 1 1/8-12 PLT.		
6.	804-147C	WASHER FLAT 1" HARDENED		
7.	820-195C	CUTTER BLADE 1/2X4X20 1/2 CCW		
8.	318-586A	BLADE BOLT KIT	Item 1 not included	

Blade Carrier CW

Applies to RCF3696



33428

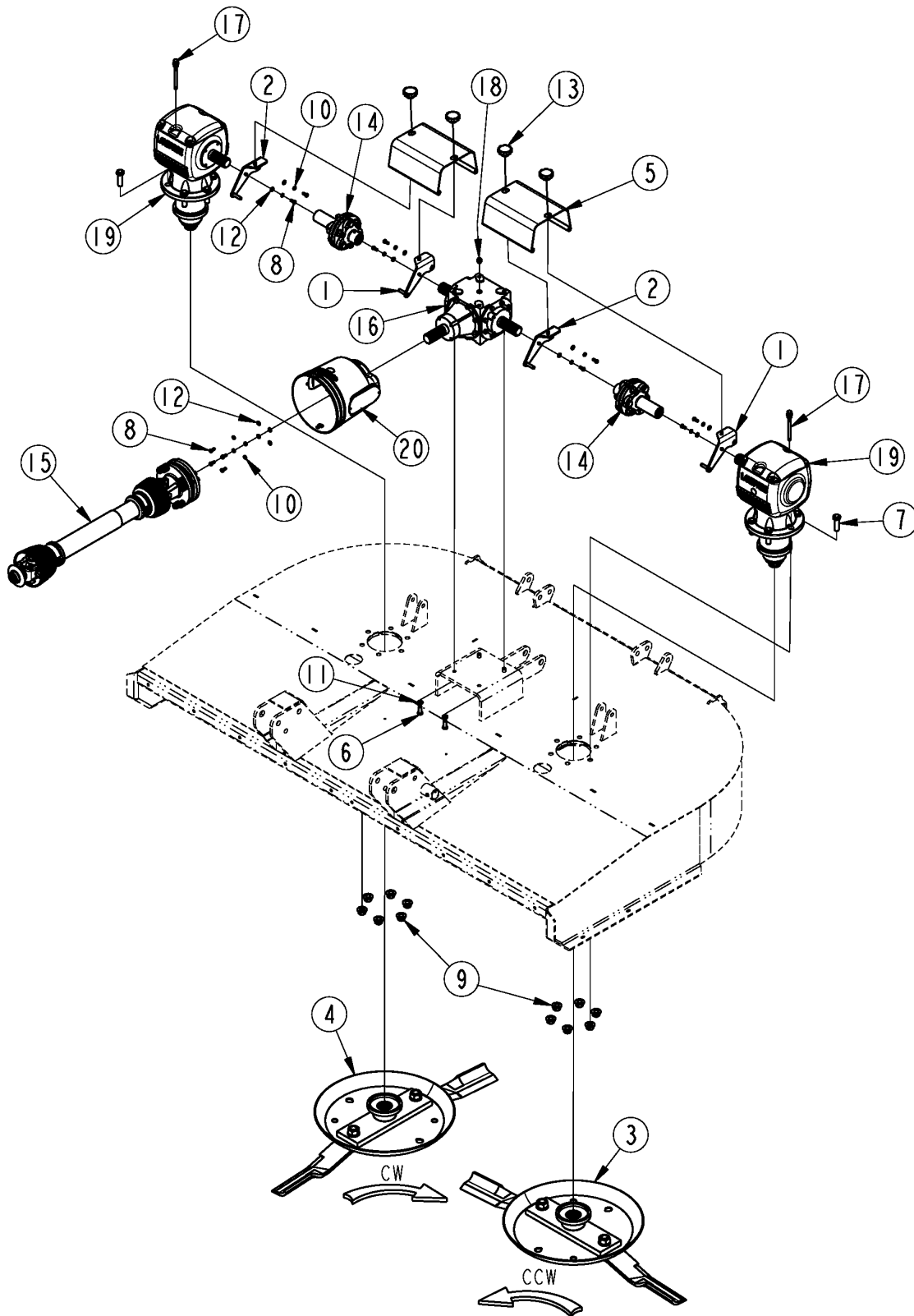
Blade Carrier CW

Applies to RCF3696

Ref	Part No.	Part Description	Comments	Revision
	Dwg 33428	Drawing Image Number		
1.	312-082D	RPBY 312-808D QTY 2	As Required S/N 776426-	
1.	312-075D	BLADE SPACER 16 GA. .064 THICK	As Required S/N 776426-	
1.	312-089D	BLADE SPACER 20 GA. .04 THICK	As Required S/N 776426-	
1.	312-808D	BLADE SPACER 24 GA. .03 THICK	As Required S/N 776426-	
2.	326-430H	3696 DISHPAN		
3.	N/A	ASSY CW BLADE CARRIER		
4.	802-277C	BLD BLT 1 1/8-12X3.44 W/.25KEY		
5.	803-170C	NUT HEX TOP LOCK 1 1/8-12 PLT.		
6.	804-147C	WASHER FLAT 1" HARDENED		
7.	820-196C	CUTTER BLADE 1/2X4X20 1/2 CW		
8.	318-586A	BLADE BOLT KIT	Item 1 not included	

Blade Drive 3-Point & Semi-Mount

Applies to RCF3696



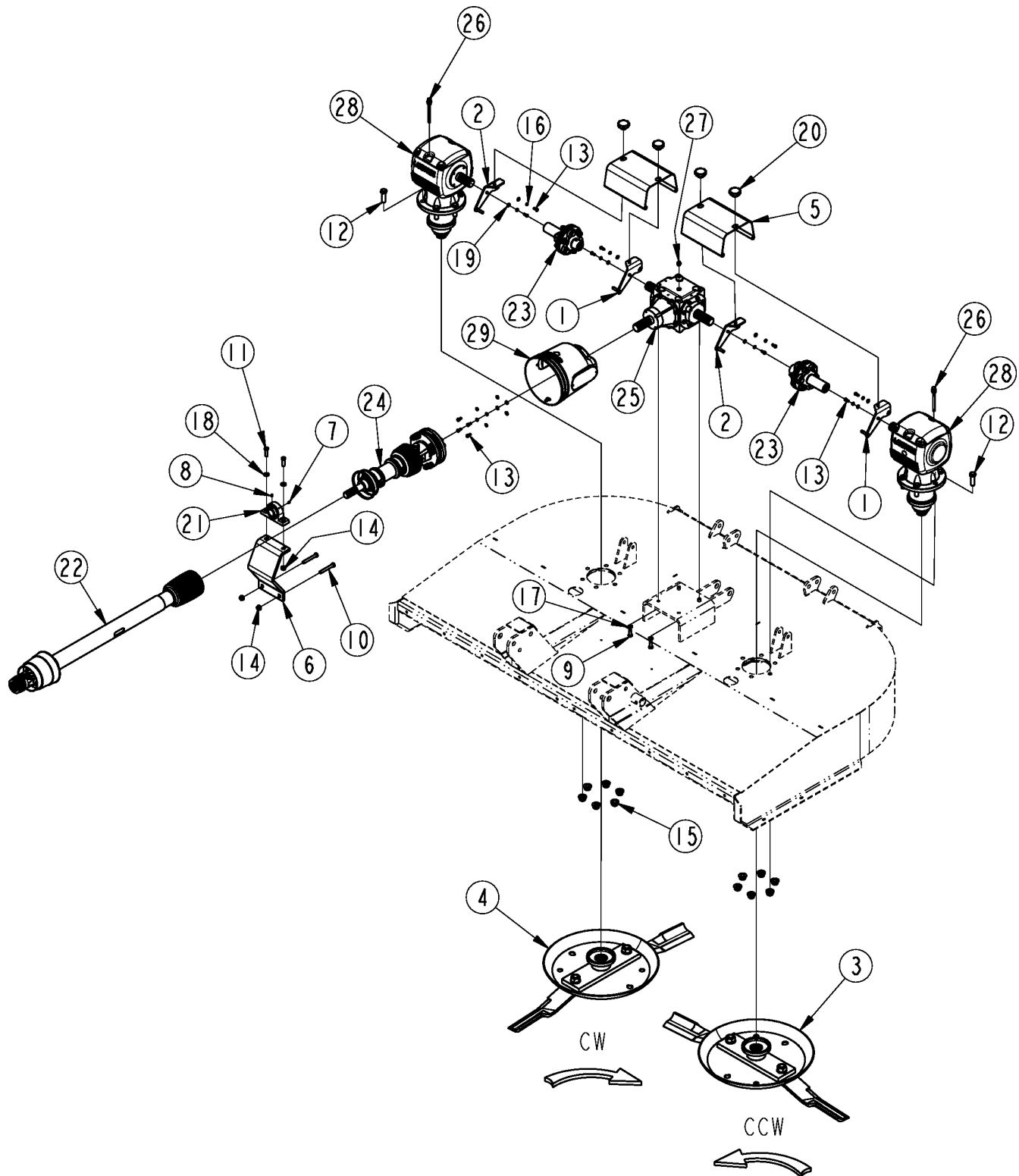
33429

Blade Drive 3-Point & Semi-Mount**Applies to RCF3696**

Ref	Part No.	Part Description	Comments	Revision
	Dwg 33429	Drawing Image Number		
1.	312-508H	SHIELD BRACKET WELDMENT		
2.	312-509H	SHIELD BRACKET WELDMENT		
3.		SEE BLADE CARRIER CCW FOR COMPONENTS		
4.		SEE BLADE CARRIER CW FOR COMPONENTS		
5.	326-941D	OUTER SHIELD 96		
6.	802-034C	HHCS 1/2-13X1 1/4 GR5		
7.	802-212C	HHCS 3/4-10X2 1/2 GR5		
7.	802-065C	RPBY 802-212C		
8.	802-314C	HHCS M8X1.25X20 GR8.8	S/N _____+	
8.	802-007C	HHCS 5/16-18X3/4 GR5	S/N _____-	
9.	803-299C	NUT HEX FLG TOP LK 3/4-10 PLT		
10.	804-009C	WASHER LOCK SPRING 5/16 PLT		
11.	804-015C	WASHER LOCK SPRING 1/2 PLT		
12.	804-036C	WASHER FLAT 5/16 SAE PLT		
13.	817-259C	KNOB 3/8-16 FEMALE THD 2 3/8OD		
14.	826-224C	FLEX COUPLER 1 3/4-20 (9.21)		
15.	826-255C	RPBY 826-889C	Obsolete (S/N 1365113-)	
15.	826-258C	PTO STD.W/2-PLATE SC CAT4 1000	RCFM3696	
16.	826-356C	T-BOX 1.75-20 1:1.35	RCF3696	
16.	826-424C	T-BOX 1.75-20 1.35:1	RCFM3696	
17.	826-486C	COMER U0.125.7003.00 DIPSTICK		
18.	826-503C	COMER VENT 8.6.7.00161		
19.	826-718C	GBOX RCF36 1.75-20 1:1.77 STD		
20.	837-101C	LAND PRIDE CONE		
20.	826-648C	LARGE SHAFT CONE W ACCESS DOOR	This cone has been replaced with 837-101C	

Blade Drive Pull Type W/ CV

Applies to RCF3696



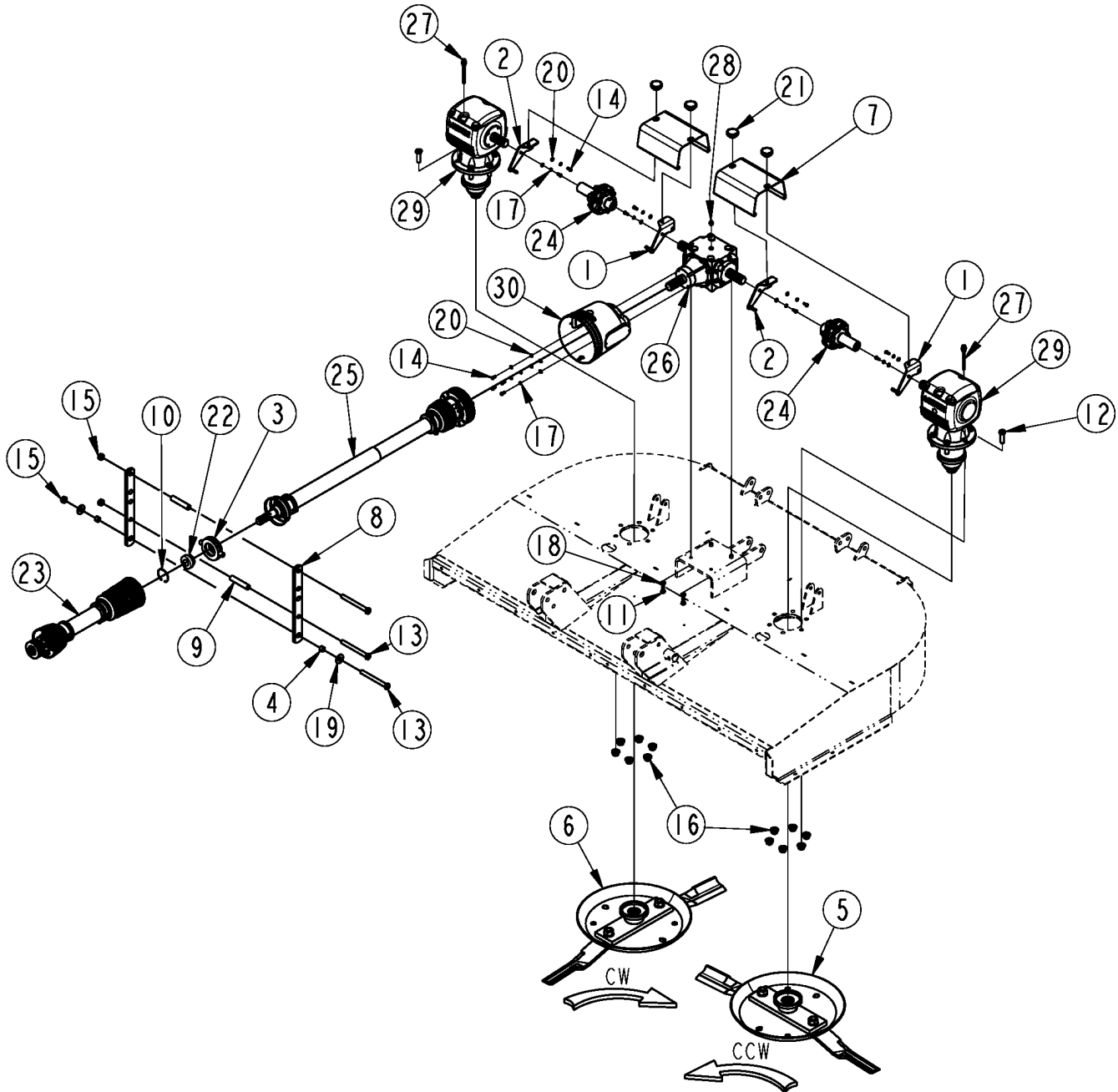
35174

Blade Drive Pull Type W/ CV**Applies to RCF3696**

Ref	Part No.	Part Description	Comments	Revision
	Dwg 35174	Drawing Image Number		
1.	312-508H	SHIELD BRACKET WELDMENT		
2.	312-509H	SHIELD BRACKET WELDMENT		
3.		SEE BLADE CARRIER CCW FOR COMPONENTS		
4.		SEE BLADE CARRIER CW FOR COMPONENTS		
5.	326-941D	OUTER SHIELD 96		
6.	327-228D	PILLOW BLOCK BEARING SUPPORT		
7.	800-080C	GREASE ZERK 1/4-28 THD FORMING		
8.	801-035C	SCREW SET 5/16-18 SKT KP X 3/8		
9.	802-034C	HHCS 1/2-13X1 1/4 GR5		
10.	802-042C	HHCS 1/2-13X3 3/4 GR5		
11.	802-082C	HHCS 1/2-13X1 3/4 GR5		
12.	802-212C	HHCS 3/4-10X2 1/2 GR5		
12.	802-065C	RPBY 802-212C		
13.	802-314C	HHCS M8X1.25X20 GR8.8	S/N _____ +	
13.	802-007C	HHCS 5/16-18X3/4 GR5	S/N _____ -	
14.	803-037C	NUT HEX WHIZ 1/2-13 PLT		
15.	803-299C	NUT HEX FLG TOP LK 3/4-10 PLT		
16.	804-009C	WASHER LOCK SPRING 5/16 PLT		
17.	804-015C	WASHER LOCK SPRING 1/2 PLT		
18.	804-016C	WASHER FLAT 1/2 SAE PLT		
19.	804-036C	WASHER FLAT 5/16 SAE PLT		
20.	817-259C	KNOB 3/8-16 FEMALE THD 2 3/8OD		
21.	822-094C	BRG PB 1.37ID		
22.	826-053C	PTO CV 2400 X 60 540 RPM	RCF3696	
22.	826-063C	PTO CV 2400 X 60 1000 RPM	RCFM3696	
23.	826-224C	FLEX COUPLER 1 3/4-20 (9.21)		
24.	826-225C	RPBY 826-881C	(Obsolete) RCF3696	
24.	826-226C	PTO W/STUB SHAFT/SC 1000 1 3/4	RCFM3696	
25.	826-356C	T-BOX 1.75-20 1:1.35	RCF3696	
25.	826-424C	T-BOX 1.75-20 1.35:1	RCFM3696	
26.	826-486C	COMER U0.125.7003.00 DIPSTICK		
27.	826-503C	COMER VENT 8.6.7.00161 3/8MNPT		
28.	826-718C	GBOX RCF36 1.75-20 1:1.77 STD		
29.	837-101C	LAND PRIDE CONE		
29.	826-648C	LARGE SHAFT CONE W ACCESS DOOR	This cone has been replaced with 837-101C	

Blade Drive Pull Type W/ Equal Angle

Applies to RCF3696



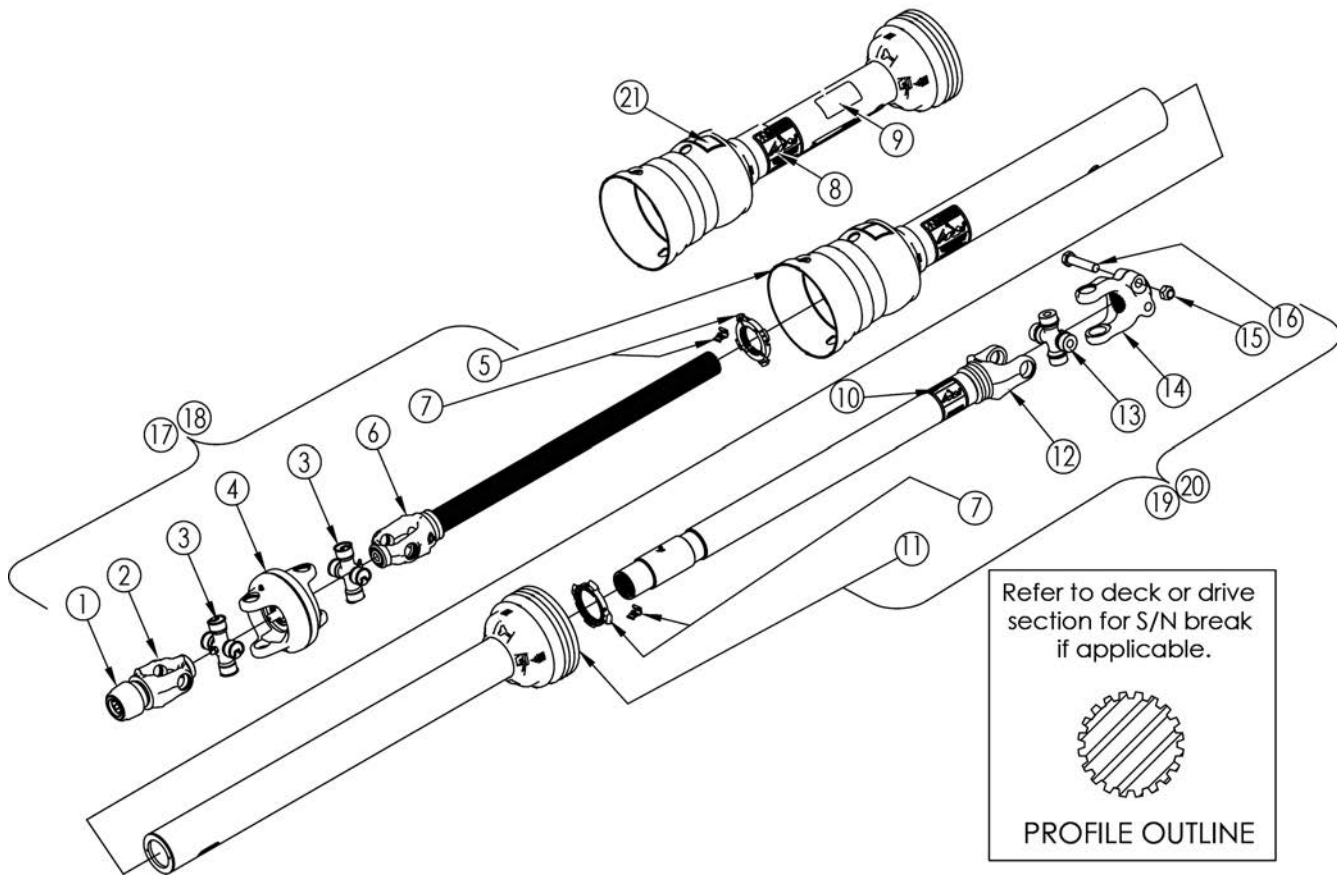
33430

Blade Drive Pull Type W/ Equal Angle**Applies to RCF3696**

Ref	Part No.	Part Description	Comments	Revision
	Dwg 33430	Drawing Image Number		
1.	312-508H	SHIELD BRACKET WELDMENT		
2.	312-509H	SHIELD BRACKET WELDMENT		
3.	312-999D	CASTING TRUNION MACHINED		
4.	326-002D	TUBE 1 OD X 11/16 LG. X 5/32w		
5.		SEE BLADE CARRIER CCW FOR COMPONENTS		
6.		SEE BLADE CARRIER CW FOR COMPONENTS		
7.	326-941D	OUTER SHIELD 96		
8.	327-571D	TRUNNION SUPPORT	S/N _____+	
8.	312-833D	SUPPORT UPRIGHT TRUNION	S/N _____-	
9.	327-593D	TRUNION SPACER	S/N _____+	
9.	312-715D	PIPE 1/2 SCH. 40 X 4 15/16	S/N _____-	
10.	800-069C	SNAP RING INT 2.835		
11.	802-034C	HHCS 1/2-13X1 1/4 GR5		
12.	802-212C	HHCS 3/4-10X2 1/2 GR5		
12.	802-065C	RPBY 802-212C		
13.	802-280C	HHCS 3/4-10X7 1/2 GR5	S/N _____+	
13.	802-146C	HHCS 5/8-11X7 1/2 GR5	S/N _____-	
13.	802-260C	HHCS 1/2-13X7 GR5	S/N _____-	
14.	802-314C	HHCS M8X1.25X20 GR8.8	S/N _____+	
14.	802-007C	HHCS 5/16-18X3/4 GR5	S/N _____-	
15.	803-026C	NUT LOCK 3/4-10 PLT	S/N _____+	
15.	803-019C	NUT LOCK 1/2-13 PLT	S/N _____-	
15.	803-021C	NUT HEX 5/8-11 PLT	S/N _____-	
16.	803-299C	NUT HEX FLG TOP LK 3/4-10 PLT		
17.	804-009C	WASHER LOCK SPRING 5/16 PLT		
18.	804-015C	WASHER LOCK SPRING 1/2 PLT		
19.	804-024C	WASHER FLAT 3/4 USS PLT	S/N _____+	
19.	804-021C	WASHER FLAT 5/8 SAE PLT	S/N _____-	
19.	804-022C	WASHER LOCK SPRING 5/8 PLT	S/N _____-	
20.	804-036C	WASHER FLAT 5/16 SAE PLT		
21.	817-259C	KNOB 3/8-16 FEMALE THD 2 3/8OD		
22.	822-100C	BRG INS 1.37IDX2.83OD LOCK		
23.	826-151C	RPBY 826-892C	S/N 1457365- RCF3696 (Obsolete)	
23.	826-892C	DRVLN C4 20F 1.38-6 QD	S/N 1457366+	
23.	826-223C	PTO CAT. 4 X 22 FIXED 1000	RCFM3696	
24.	826-224C	FLEX COUPLER 1 3/4-20 (9.21)		
25.	826-256C	PTO J/S.W/4-PLATE SC CAT4 540	RCF3696	
25.	826-259C	PTO J/S.W/2-PLATE SC CAT4 1000	RCFM3696	
26.	826-356C	T-BOX 1.75-20 1:1.35	RCF3696	
26.	826-424C	T-BOX 1.75-20 1.35:1	RCFM3696	
27.	826-486C	COMER U0.125.7003.00 DIPSTICK		
28.	826-503C	COMER VENT 8.6.7.00161		
29.	826-718C	GBOX RCF36 1.75-20 1:1.77 STD		
30.	837-101C	LAND PRIDE CONE		
30.	826-648C	LARGE SHAFT CONE W ACCESS DOOR	This cone has been replaced with 837-101C	

Driveline (826-053C) Weasler

Applies to RCF3696



72998

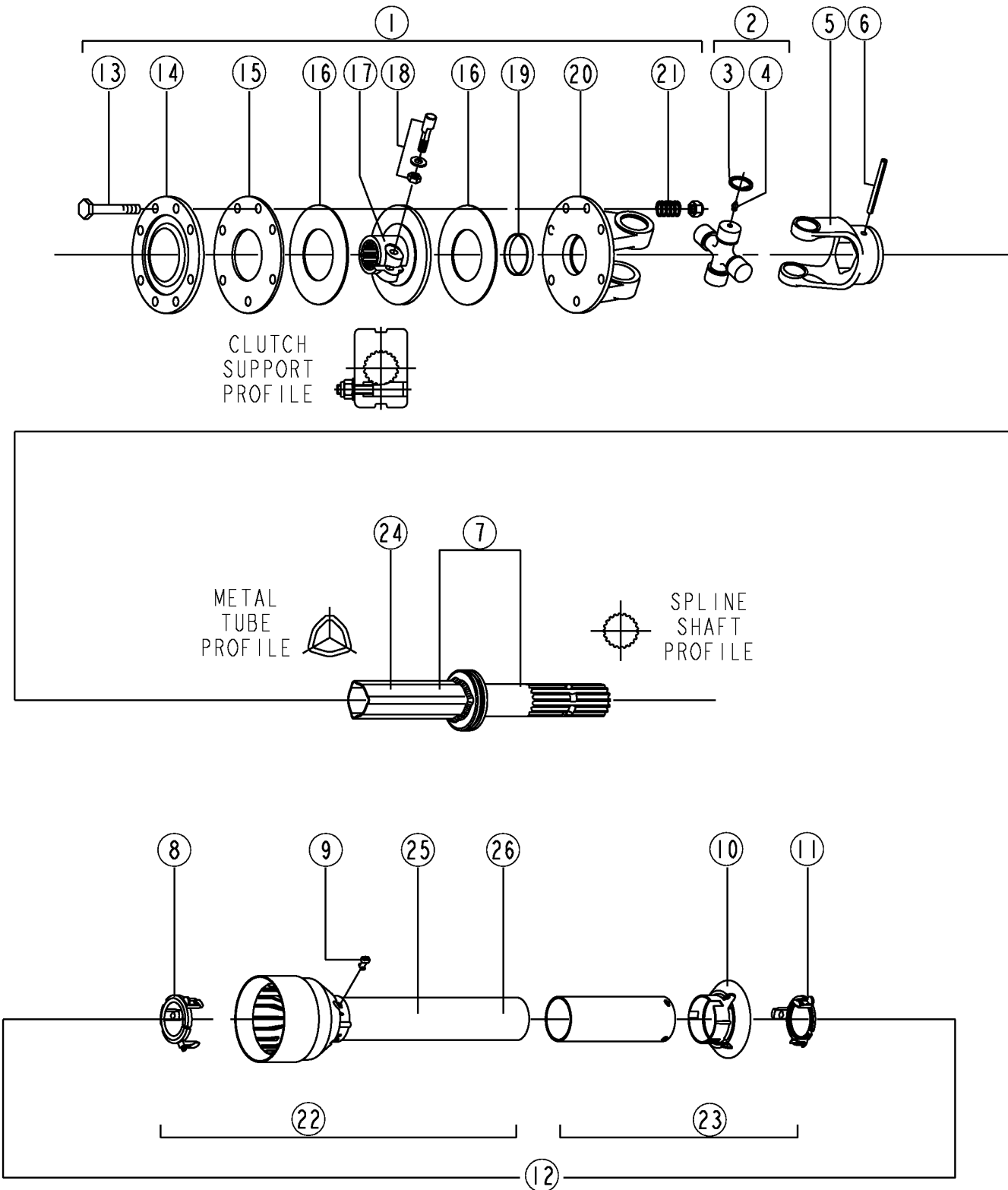
Driveline (826-053C) Weasler

Applies to RCF3696

Ref	Part No.	Part Description	Comments	Revision
	Dwg 72998 826-053C	Image No. DRVLN C4 44 1.38-6 CV *		
1.	26-15120	WE SSL/AUTO-LOK REPAIR KIT		
2.	86810-1008	WE WWCV AUTO-LOK YOKE ASM		
3.	03-15450	WE AB6/AW22/CAT 4 80DEG CROSS		
4.	26-15159	WE WWCV CENTER HOUSING		
5.	97-27741	WE OUTER GUARD		
6.	99-27741	WE WWCV YOKE & SHAFT		
7.	19-15126	WEASLER GUARD REPAIR KIT		
8.	13-10021	WE SAFETY SIGN		
9.	13-15250	WE DECAL, LAND PRIDE		
10.	13-10022	WE SAFETY SIGN		
11.	96-27741	WE INNER GUARD		
12.	98-27741	WE YOKE, TUBE & SLIP SLEEVE		
13.	03-10326	WE 35RBL CROSS KIT		
14.	35021-1425	WE YOKE, 35		
15.	11-30017	WE LOCKNUT, 1/2-13 FLG		
16.	11-20414	WE BOLT, 1/2-13 X 3.00 LG.,FLG		
17.	93-27741	WE JOINT & SHAFT HALF, GUARDED		
18.	95-27741	WE JOINT & SHAFT HALF		
19.	92-27741	WE JOINT & TUBE HALF GUARDED		
20.	94-27741	WE JOINT & TUBE HALF		
21.	N/A	WE GUARD SET		

Driveline (826-881C) Comer

Applies to RCF3696



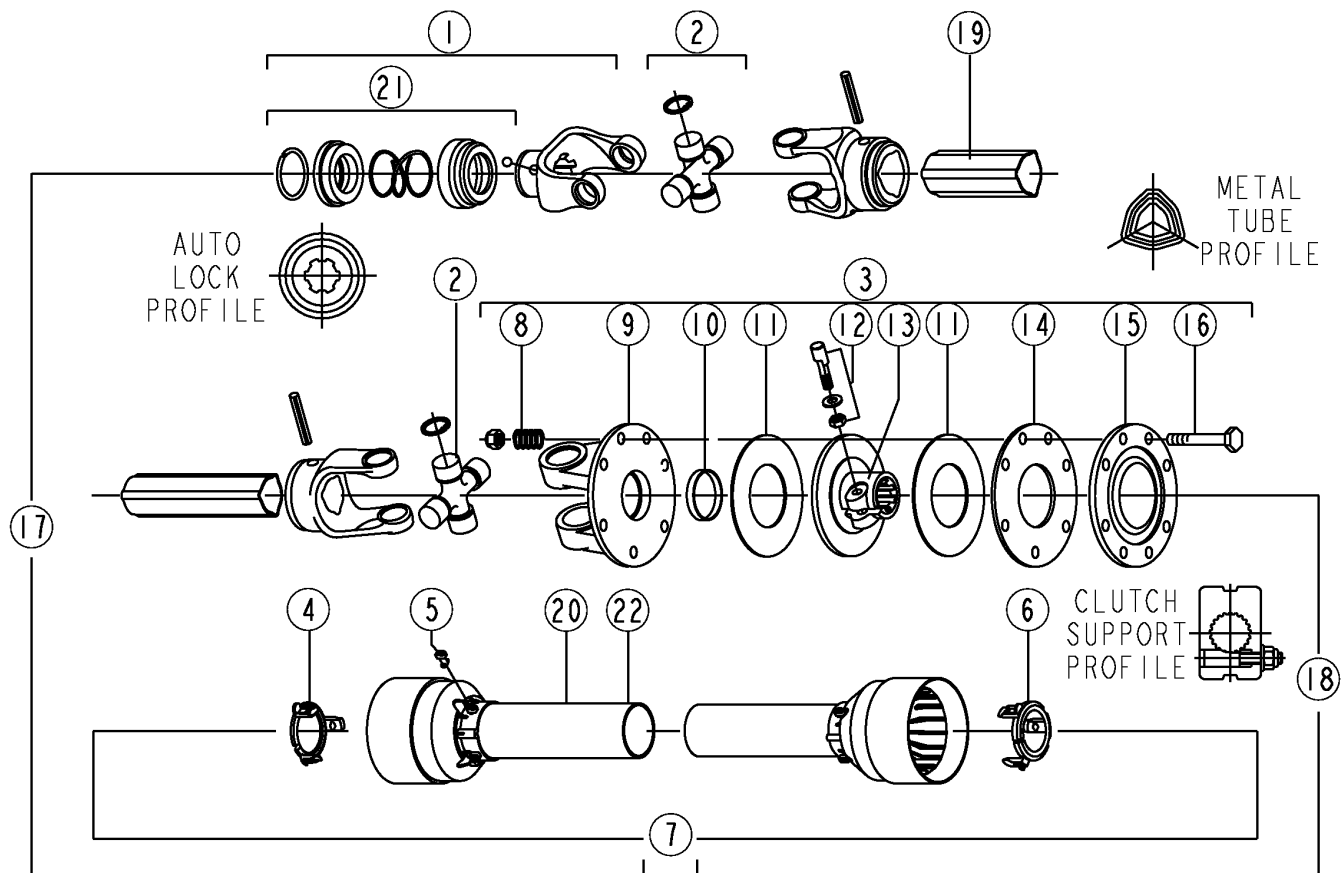
72988

Driveline (826-881C) Comer**Applies to RCF3696**

Ref	Part No.	Part Description	Comments	Revision
	Dwg 72988 826-881C	Image No. DRVLN C4 20F 1.38-21 JS CLTCH *		
1.	1462620191	RPBY 146.262.019.1	Obsolete	
2.	180016780	RPBY 180.016.780	Obsolete	
3.	190000032	RPBY 190.000.032	Obsolete	
4.	190000047	RPBY 190.000.047	Obsolete	
5.	1510162521	RPBY 151.016.252.1	Obsolete	
6.	190000018	RPBY 190.000.018	Obsolete	
7.	1222609352	RPBY 122.260.935.2	Obsolete	
8.	180016237	RPBY 180.016.237	Obsolete	
9.	180014240	RPBY 180.014.240	Obsolete	
10.	180016946	RPBY 180.016.946	Obsolete	
11.	180016238	RPBY 180.016.238	Obsolete	
12.	1422605517621	RPBY 142.260.5517621	Obsolete	
13.	165000549	RPBY 165.000.549	Obsolete	
14.	1800191161	RPBY 180.019.116.1	Obsolete	
15.	180019014	RPBY 180.019.014	Obsolete	
16.	180019018	RPBY 180.019.018	Obsolete	
17.	1510163441	RPBY 151.016.344.1	Obsolete	
18.	165000589	RPBY 165.000.589	Obsolete	
19.	180019019	RPBY 180.019.019	Obsolete	
20.	1510160371	RPBY 151.016.037.1	Obsolete	
21.	180014022	RPBY 180.014.022	Obsolete	
22.	1422663287621	RPBY 142.266.3287621	Obsolete	
23.	1422673017621	RPBY 142.267.3017621	Obsolete	
24.	190000098	RPBY 190.000.098	Obsolete	
25.	190000099	RPBY 190.000.099	Obsolete	
26.	190000995	CO LABEL WITH CUSTOMER CODE	Obsolete	

Driveline (826-889C) Comer

Applies to RCF3696



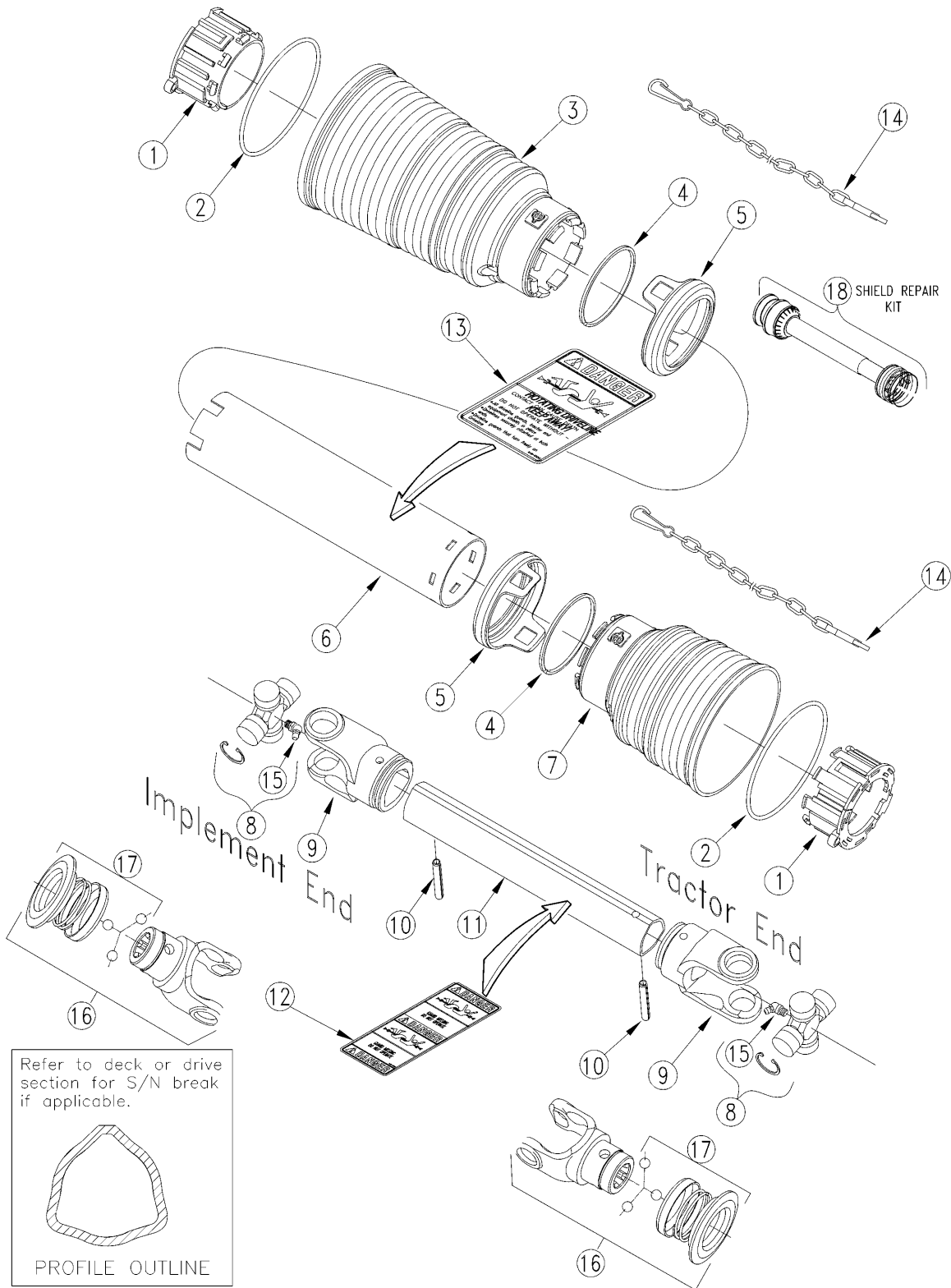
73011

Driveline (826-889C) Comer**Applies to RCF3696**

Ref	Part No.	Part Description	Comments	Revision
	Dwg 73011 826-889C	Image No. DRVLN C4 31 1.38-6 QD CLTCH *	S/N 1365114+	
1.	1410265441	RPBY 141.026.544.1	Obsolete	
2.	180016130	RPBY 180.016.130	Obso;ete	
3.	1462620191	RPBY 146.262.019.1	Obsolete	
4.	8180016237	RPBY 180.016.237	Obsolete	
5.	8180014240	RPBY 180.014.240	Obsolete	
6.	8180016238	RPBY 180.016.238	Obsolete	
7.	1422605477621	RPBY 142.260.5477621	Obsolete	
8.	180014022	RPBY 180.014.022	Obsolete	
9.	1510160371	RPBY 151.016.037.1	Obsolete	
10.	180019019	RPBY 180.019.019	Obsolete	
11.	180019018	RPBY 180.019.018	Obsolete	
12.	165000589	RPBY 165.000.589	Obsolete	
13.	1510163441	RPBY 151.016.344.1	Obsolete	
14.	180019014	RPBY 180.019.014	Obsolete	
15.	1800191161	RPBY 180.019.116.1	Obsolete	
16.	165000549	RPBY 165.000.549	Obsolete	
17.	812336053611	RPBY 8123.360.536.11	Obsolete	
18.	8123460110411	RPBY 8123.460.110411	Obsolete	
19.	190000098	RPBY 190.000.098	Obsolete	
20.	190000099	RPBY 190.000.099	Obsolete	
21.	165000628	RPBY 165.000.628	Obsolete	
22.	1900001010	RPBY 190.000.1010	Obsolete	

Driveline Conv. Fixed Shaft Pull Type 540 RPM (826-151C) Eurocardan

Applies to RCF3696



16610

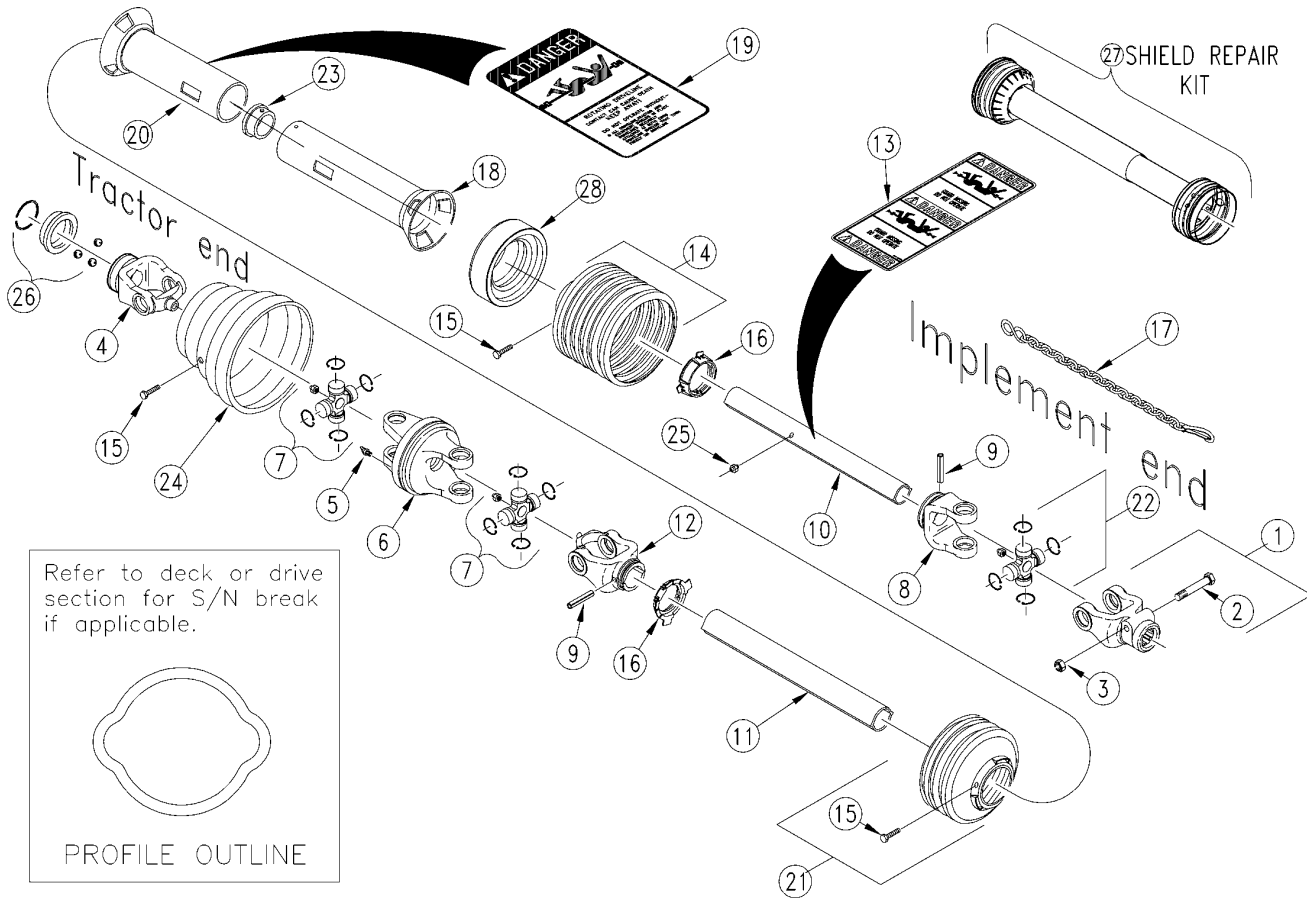
Driveline Conv. Fixed Shaft Pull Type 540 RPM (826-151C) Eurocardan

Applies to RCF3696

Ref	Part No.	Part Description	Comments	Revision
	Dwg 16610 826-151C	Drawing Image Number RPBY 826-892C *	Obsolete	
1.	1786710	EC TUBE BEARING (OUTER TUBE)		
2.	1215733	EC STIFFENING RING		
3.	1885704	EC LONG CONE		
4.	1215735	EC STOP RING		
5.	1885709	EC SAFETY SLEEVE		
6.	1876030D	EC OUTER TUBE SHIELD		
7.	1885703	EC STANDARD CONE		
8.	1006020	EC CROSS ASSEMBLY		
9.	1706027	EC OUTER TUBE YOKE		
10.	6331080	EC 10X80-DIN-1481 O/TUBE R/PIN		
11.	1528040D	EC OUTER TUBE		
12.	818-540C	DECAL DANGER GUARD MISS PTO		
13.	818-552C	DECAL DANGER PTO DRIVELINE		
14.	044321	DRIVELINE SHIELD SAFETY CHAIN	S/N 928934-	
15.	6560508	EC GREASE ZERK 8X1 45 DEG.		
16.	1016012	YOKE ASSEMBLY PULL TYPE		
17.	1004225	EC PULL COLLAR KIT		
18.	826-578C	SHIELD KIT, 826-151C		

Driveline CV Pull Type Cutter 540 RPM (826-053C) Walterscheid

Applies to RCF3696

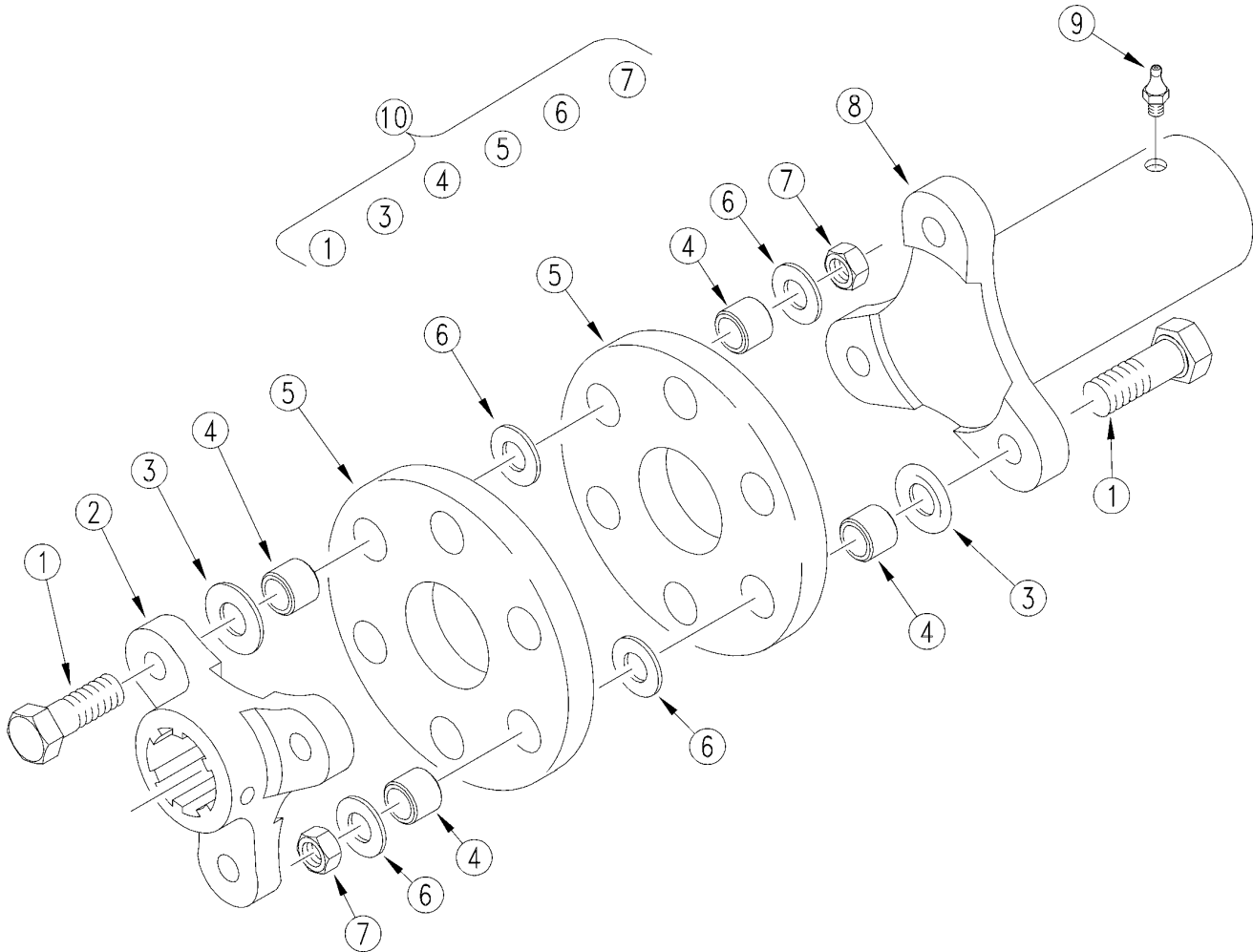


Driveline CV Pull Type Cutter 540 RPM (826-053C) Walterscheid**Applies to RCF3696**

Ref	Part No.	Part Description	Comments	Revision
	Dwg 30279 826-053C	Drawing Image Number DRVLN C4 44 1.38-6 CV *		
1.	320684	WS YOKE 1 3/8-21 SPL		
2.	020469	WS BOLT M12 X 75		
3.	301.008	COSMO SELF LOCK NUT M12		
3.	010490	RPBY 301.008	Obsolete	
4.	695580	WS YOKE 1 3/8-6 ASGE		
5.	020672	WS GREASE ZERK		
6.	365722	WS DOUBLE YOKE		
7.	342221	WS CROSS & BEARING KIT		
8.	019519	WS INBOARD YOKE		
9.	020616	WS SPRING PIN 10 X 75		
10.	382647	WS PROFILE & SLEEVE		
11.	095758	WS INNER PROFILE 16 GA		
12.	134713	WS INBOARD YOKE 1B		
13.	818-540C	DECAL DANGER GUARD MISS PTO		
14.	377341	WS SHIELD CONE 11 RIB		
15.	365305	WALTERSCHEID SCREW		
16.	087276	WS BEARING RING - SC25		
17.	044321	WALTERSCHEID SAFETY CHAIN	S/N 928934-	
18.	382437	WS INNER SHIELD TUBE ROUND		
19.	383333	WALTERSCHEID DANGER DECAL-SHLD		
20.	383128	WS OUTER SHIELD TUBE OVL.		
21.	172758	WS SHIELD CONE 3 RIB		
22.	312410	WS CROSS BEARING KIT		
23.	355155	WS SUPPORT BEARING		
24.	386083	WS CV CONE & BEARING ASSY		
25.	380371	WS ZERK		
26.	381908	WS QUICK DISCONNECT KIT		
27.	826-590C	SHIELD KIT, 826-053C		
28.	359471	WS REINFORCING COLLAR		

Driveline Flex Coupler (826-224C) Eurocardan

Applies to RCF3696



16886

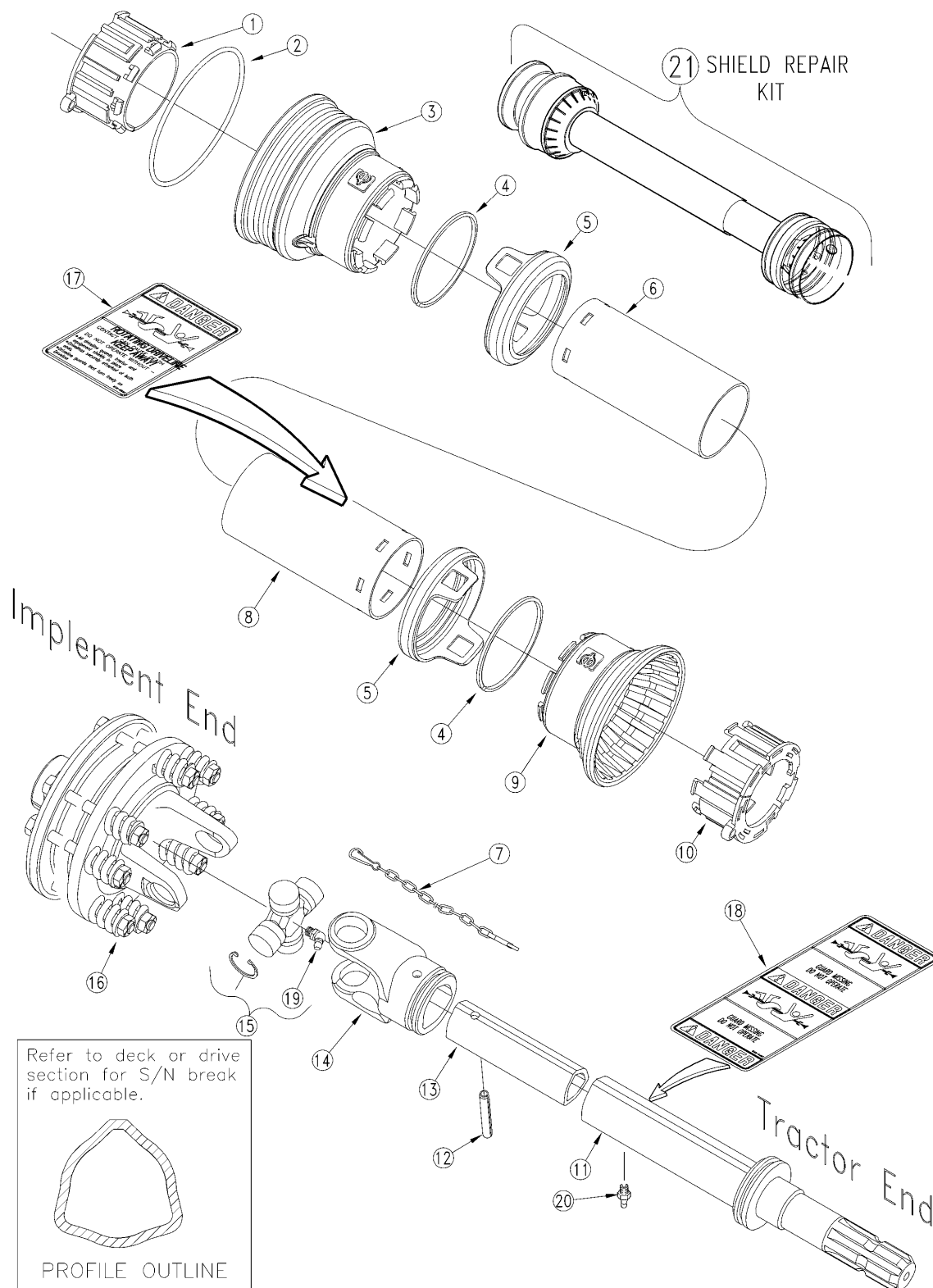
Driveline Flex Coupler (826-224C) Eurocardan

Applies to RCF3696

Ref	Part No.	Part Description	Comments	Revision
	Dwg 16886	Drawing Image Number		
	826-224C	FLEX COUPLER 1 3/4-20 (9.21)		
1.		EC BOLT	Only sold in kit #10	
2.	1705278	EC SPIDER 1 3/4-20 W/TAP HOLE	1 3/4-20	
3.		EC WSH. BD. 35mm O.D/16.5mm I.D	Only sold in kit #10	
4.		EC BOLT BUSHING	Only sold in kit #10	
5.	1785273	EC RUBBER DISC	Can be ordered seperately & in kit #10	
6.		EC WASHER 29.8mm O.D/17.2mm I.D	Only sold in kit #10	
7.		EC NUT	Only sold in kit #10	
8.	1005220	EC SPIDER TUBE		
9.	6560208	EC GREASE ZERK M8 STRAIGHT	S/N 639636-	
10.	312-608A	FLEX COUPLER KIT	Includes items 1, 3, 4, 5, 6 & 7	

Driveline Jackshaft (540 RPM) (826-256C) Eurcardan

Applies to RCF3696



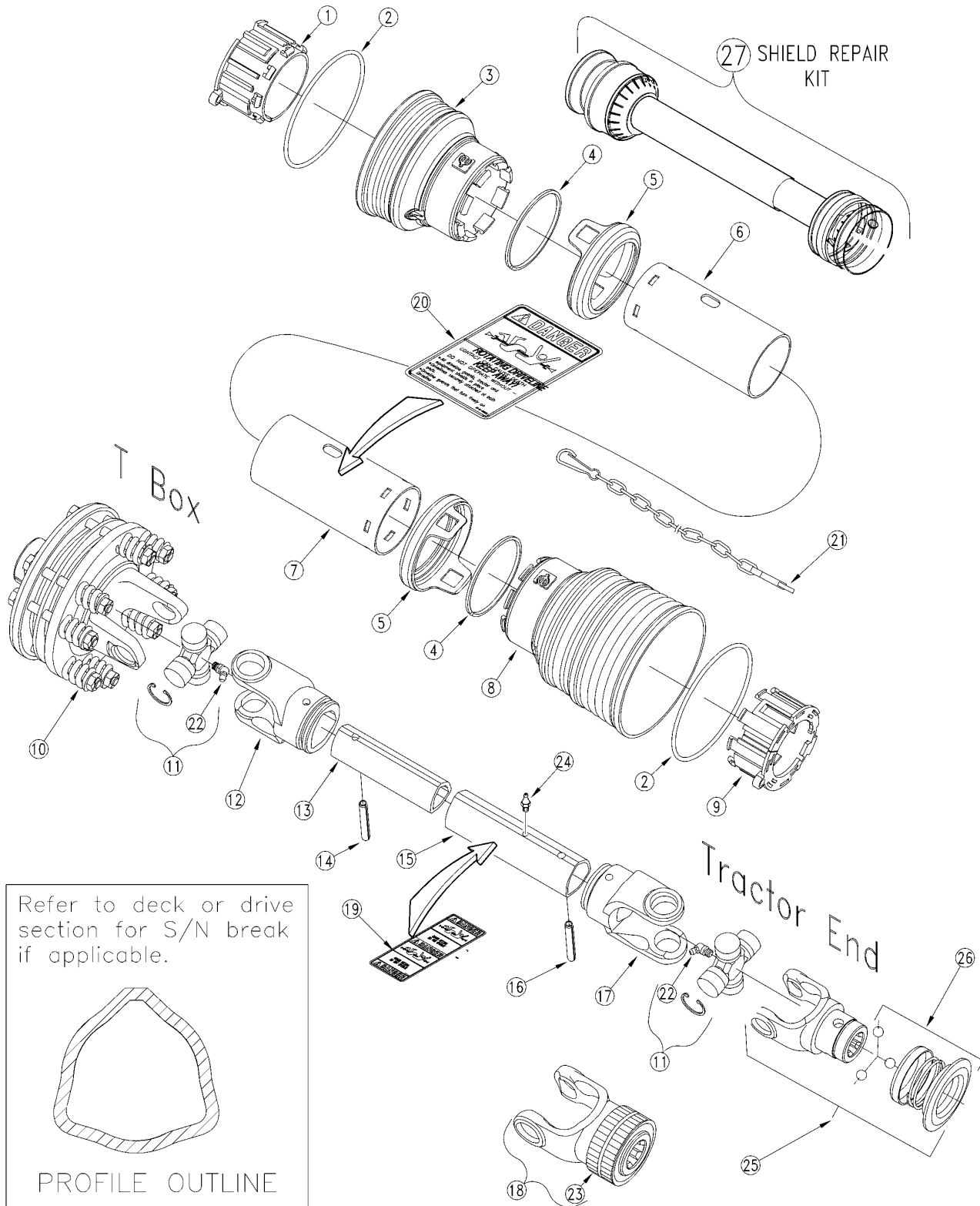
16173

Driveline Jackshaft (540 RPM) (826-256C) Eurcardan**Applies to RCF3696**

Ref	Part No.	Part Description	Comments	Revision
	Dwg 16173	Drawing Image Number		
	826-256C	PTO J/S.W/4-PLATE SC CAT4 540		
1.	1786711	EC TUBE BEARING (INNER TUBE)		
2.	1215733	EC STIFFENING RING		
3.	1885702	EC SHORT CONE		
4.	1215735	EC STOP RING		
5.	1885709	EC SAFETY SLEEVE		
6.	1877304	EC INNER TUBE SHIELD	S/N 670486+	
6.	1877064	RPBY 1877304	S/N 670485-	
7.	044321	DRIVELINE SHIELD SAFETY CHAIN	S/N 928934-	
8.	1876304	EC OUTER TUBE SHIELD	S/N 670486+	
8.	1876064	RPBY 1876304	S/N 670485-	
9.	1885705	EC EXTRA SHORT CONE (FOR MX)		
10.	1786710	EC TUBE BEARING (OUTER TUBE)		
11.	1896314N327	EC OUTER TUBE ASSEMBLY	S/N 670486+	
11.	1896069N327	RPBY 1896314N327	S/N 670485-	
12.	6331070	EC 10X70 ROLL PIN		
13.	1526070	EC INNER TUBE (1526084) 840MM		
14.	1706029	EC INNER TUBE YOKE		
15.	1006020	EC CROSS ASSEMBLY		
16.	1446137	EC TORQUE LIMITER, (FD 4)		
16.	1446037	RPBY 1446137		
17.	818-552C	DECAL DANGER PTO DRIVELINE		
18.	818-540C	DECAL DANGER GUARD MISS PTO		
19.	6560508	EC GREASE ZERK 8X1 45 DEG.		
20.	6561306	EC GREASE ZERK M6X1 EXTRA SHRT	S/N 670486+	
21.	826-570C	SHIELD KIT, 826-256C		

Driveline Lift Type Cutter 540 RPM (826-255C) Eurocardan

Applies to RCF3696



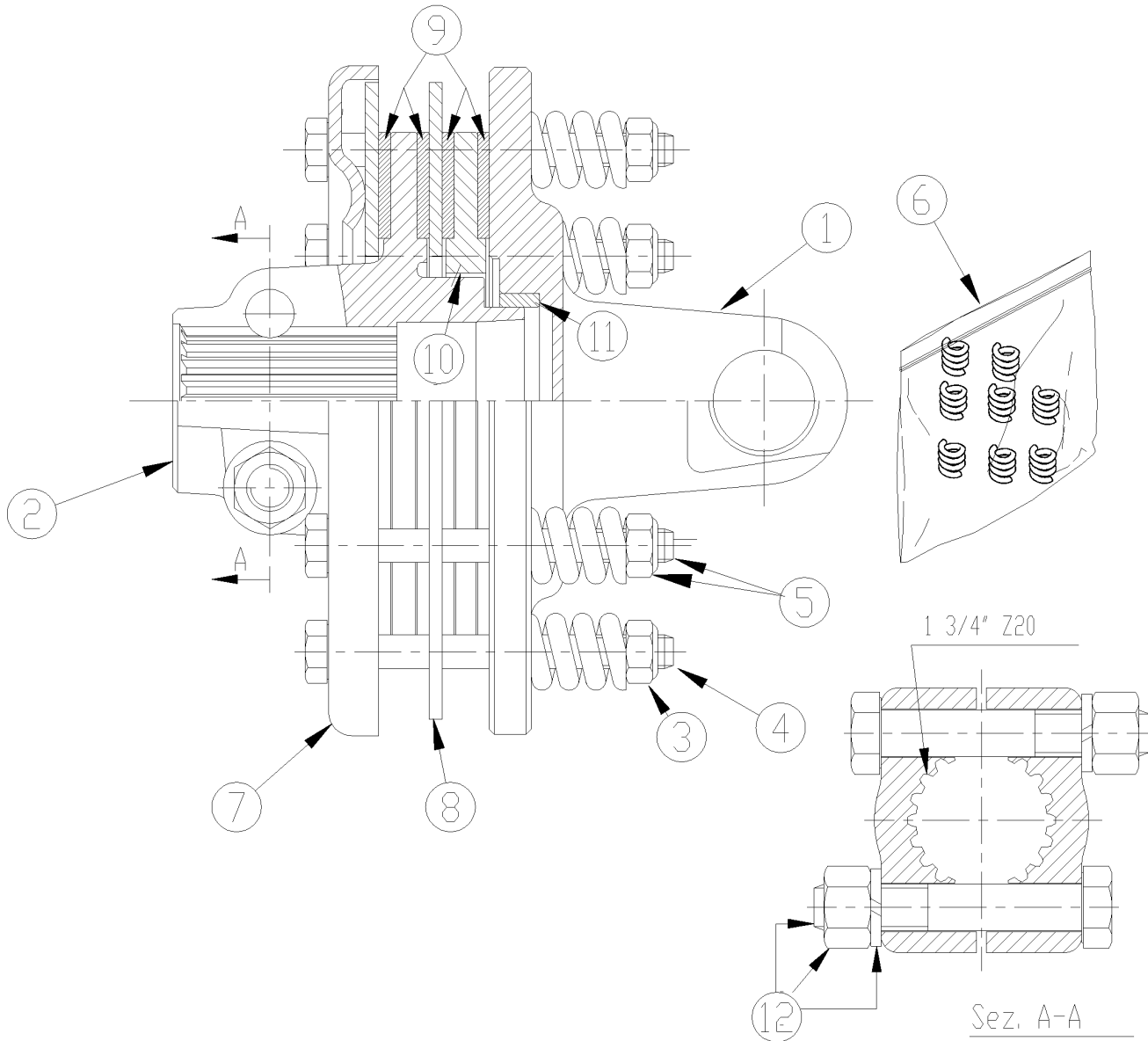
22283

Driveline Lift Type Cutter 540 RPM (826-255C) Eurocardan**Applies to RCF3696**

Ref	Part No.	Part Description	Comments	Revision
	Dwg 22283 826-255C	Drawing Image Number RPBY 826-889C *	Obsolete (S/N 1365113-)	
1.	1786711	EC TUBE BEARING (INNER TUBE)		
2.	1215733	EC STIFFENING RING		
3.	1885702	EC SHORT CONE		
4.	1215735	EC STOP RING		
5.	1885709	EC SAFETY SLEEVE		
6.	1877052	EC INNER TUBE SHEILD		
7.	1876052	EC OUTER TUBE SHEILD		
8.	1885703	EC STANDARD CONE		
9.	1786710	EC TUBE BEARING (OUTER TUBE)		
10.	1446016	EC CLUTCH FD4/6 1 3/4 20 SPL		
11.	1006020	EC CROSS ASSEMBLY		
12.	1706029	EC INNER TUBE YOKE		
13.	1526062	EC INNER TUBE (1526084) 620MM		
14.	6331070	EC 10X70 ROLL PIN		
15.	1528084	EC 840MM OUT. STOCK LENGTH TB.		
16.	6331080	EC 10X80-DIN-1481 O/TUBE R/PIN		
17.	1706027	EC OUTER TUBE YOKE		
18.	1016012	YOKE ASSEMBLY PULL TYPE		
18.	1016010	RPBY 1016012		
19.	818-540C	DECAL DANGER GUARD MISS PTO		
20.	818-552C	DECAL DANGER PTO DRIVELINE		
21.	044321	DRIVELINE SHIELD SAFETY CHAIN	S/N 928934-	
22.	6560508	EC GREASE ZERK 8X1 45 DEG.		
23.	1004220	EC TWIST COLLAR KIT (TRT. END)	Shown	
23.	1004225	EC PULL COLLAR KIT		
24.	6560006	EC GREASE ZERK M6X1 STRAIGHT		
25.	1016013	EC YOKE ASSEMBLY		
26.	1004225	EC PULL COLLAR KIT		
27.	826-569C	SHIELD KIT, 826-255C &826-258C		

Driveline Slip Clutch (1446137) Eurocardan

Applies to RCF3696



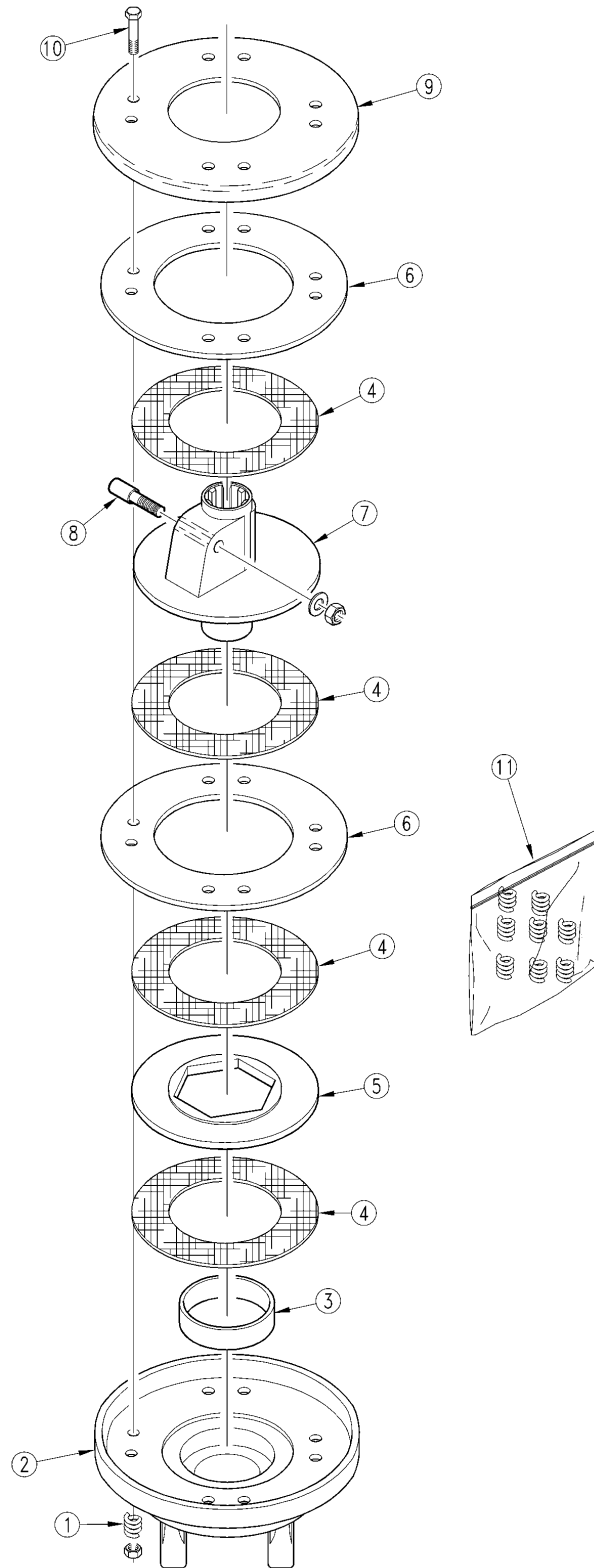
Driveline Slip Clutch (1446137) Eurocardan

Applies to RCF3696

Ref	Part No.	Part Description	Comments	Revision
	Dwg 30198	Drawing Image Number		
	1446137	EC TORQUE LIMITER, (FD 4) *		
1.	1706033	EC CLUTCH YOKE W/FLANGE		
2.	1706313	EC HUB WITH FLANGE		
3.	803-279C	NUT HEX M10X1.5 PLT		
4.	6001010	EC BOLT (M10X100)		
5.	6691010	EC BOLT & SCREW NUT KIT REPL.		
6.	330-297A	SV KIT, EC SLIP CLUTCH SPRING		
7.	1138007	EC PRESSURE DISK		
8.	1138008	EC INNER DISK		
9.	1808010	EC CLUTCH LINING RING		
10.	1708034	EC CLUTCH MIDDLE DISK		
11.	1705009	EC CLUTCH BUSHING		
12.	6761480	EC BOLT, NUT & WASHER KIT		

Driveline Slip Clutch 540/1000 RPM (1446016) EC

Applies to RCF3696



15521

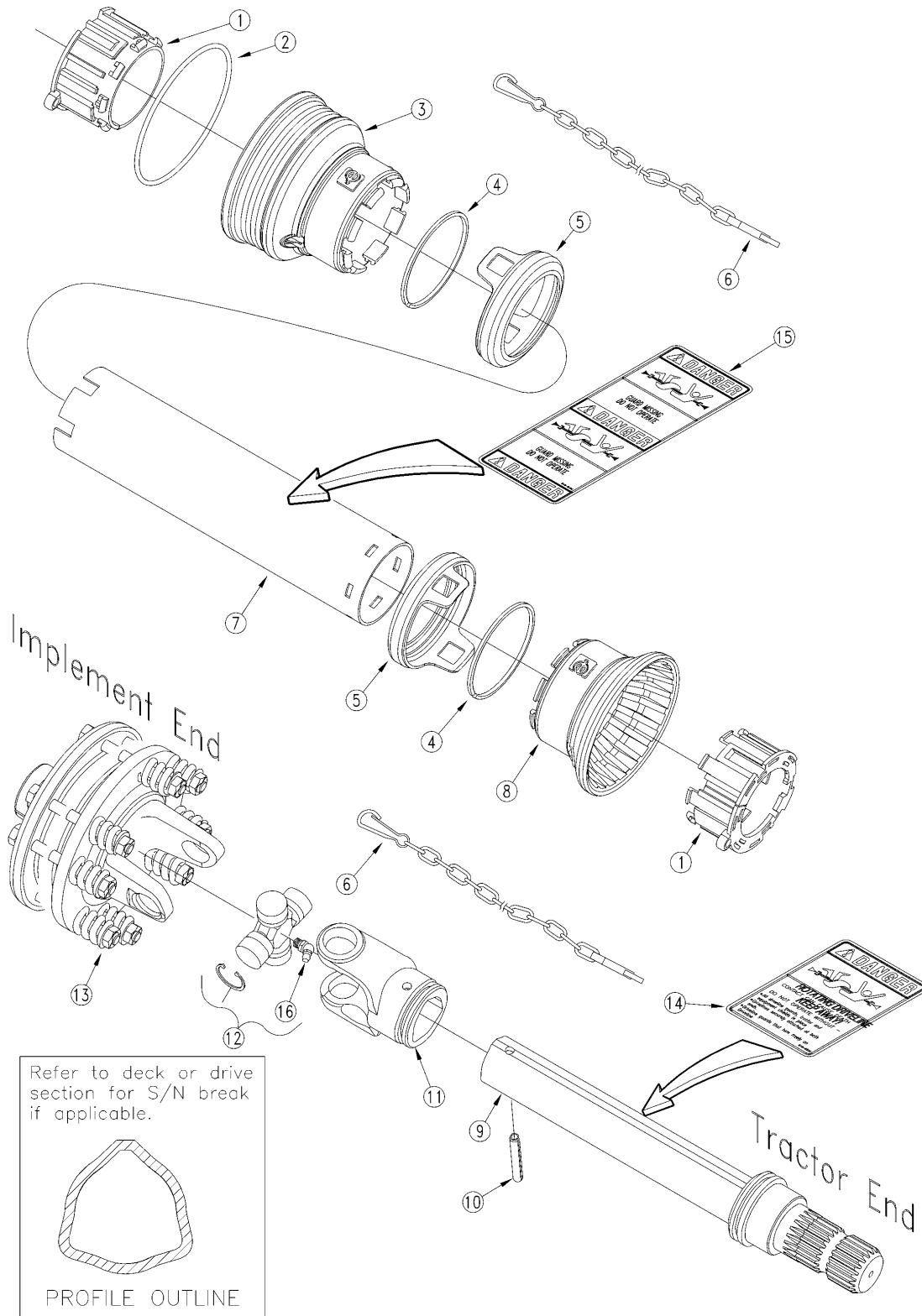
Driveline Slip Clutch 540/1000 RPM (1446016) EC

Applies to RCF3696

Ref	Part No.	Part Description	Comments	Revision
	dwg15521	Drawing Image Number		
	1446016	EC CLUTCH FD4/6 1 3/4 20 SPL *		
1.	1215012	RPBY 330-297A		
2.	1706033	EC CLUTCH YOKE W/FLANGE		
3.	1705009	EC CLUTCH BUSHING		
4.	1808010	EC CLUTCH LINING RING		
5.	1708034	EC CLUTCH MIDDLE DISK		
6.	1138008	EC INNER DISK		
7.	1708016	EC HUB WITH FLANGE		
8.	6821484	EC CONICAL DOG KIT REPLACEMENT	Includes nut and washer	
9.	1138007	EC PRESSURE DISK		
10.	6691010	EC BOLT & SCREW NUT KIT REPL.		
11.	330-297A	SV KIT, EC SLIP CLUTCH SPRING	Contains 8 Springs	

Driveline Stub Shaft Pull Type 540 RPM (826-225C) Eurocardan

Applies to RCF3696



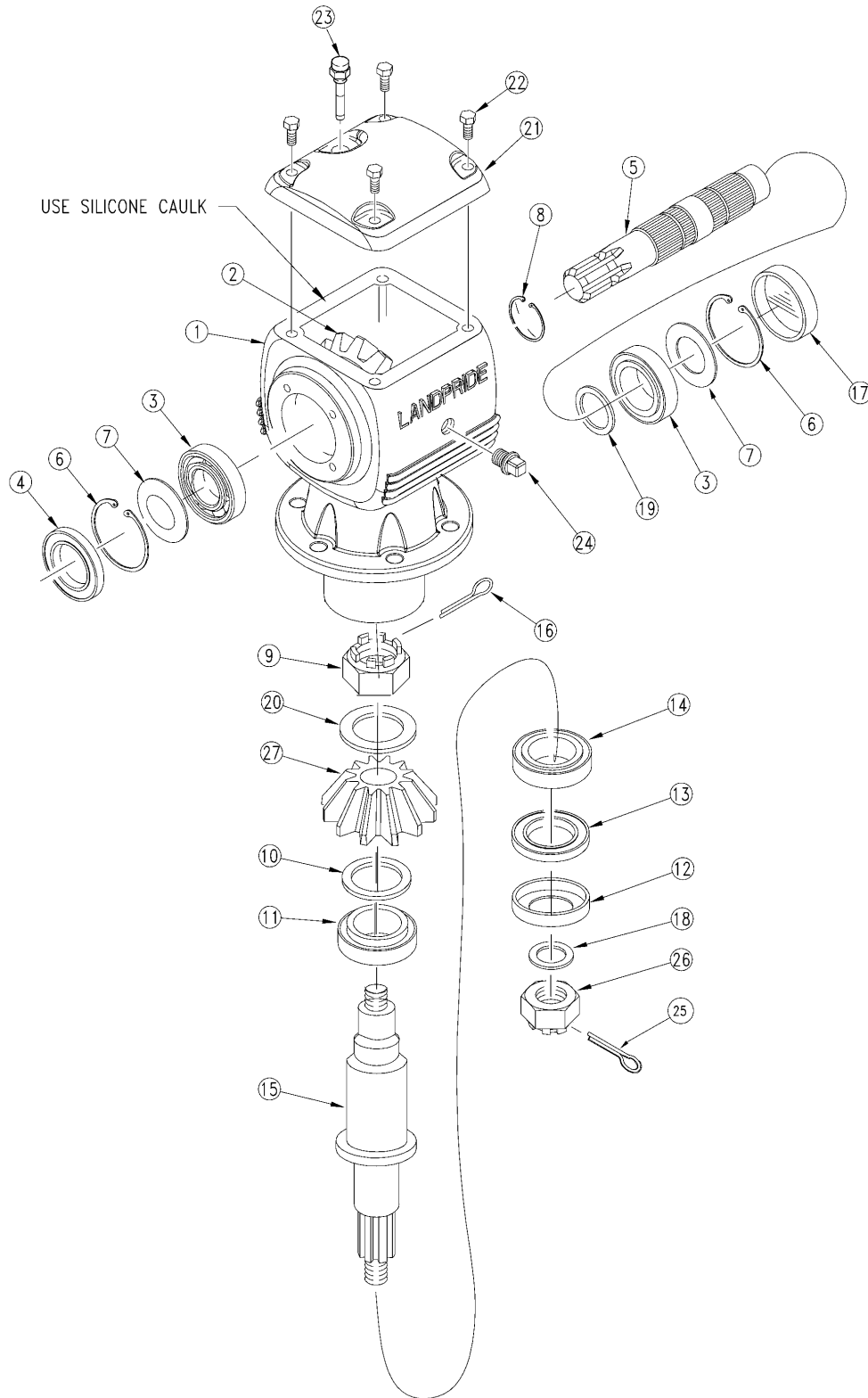
15995

Driveline Stub Shaft Pull Type 540 RPM (826-225C) Eurocardan**Applies to RCF3696**

Ref	Part No.	Part Description	Comments	Revision
	Dwg 15995 826-225C	Drawing Image Number RPBY 826-881C *	Obsolete	
1.	1786710	EC TUBE BEARING (OUTER TUBE)		
2.	1215733	EC STIFFENING RING		
3.	1885702	EC SHORT CONE		
4.	1215735	EC STOP RING		
5.	1885709	EC SAFETY SLEEVE		
6.	044321	DRIVELINE SHIELD SAFETY CHAIN	S/N 928934-	
7.	1876023D	EC OUTER TUBE SHEILD		
8.	1885705	EC EXTRA SHORT CONE (FOR MX)		
9.	1896028S821	EC OUTER TUBE ASSY (HRDND)		Rev. 2
9.	1896028D821	EC OUTER TUBE ASSY		Rev. 1
10.	6331080	EC 10X80-DIN-1481 O/TUBE R/PIN		
11.	1706027	EC OUTER TUBE YOKE		
12.	1006020	EC CROSS ASSEMBLY		
13.	1446137	EC TORQUE LIMITER, (FD 4)		
13.	1446037	RPBY 1446137		
14.	818-552C	DECAL DANGER PTO DRIVELINE		
15.	818-540C	DECAL DANGER GUARD MISS PTO		
16.	6560508	EC GREASE ZERK 8X1 45 DEG.		

Gearbox (826-718C)

Applies to RCF3696



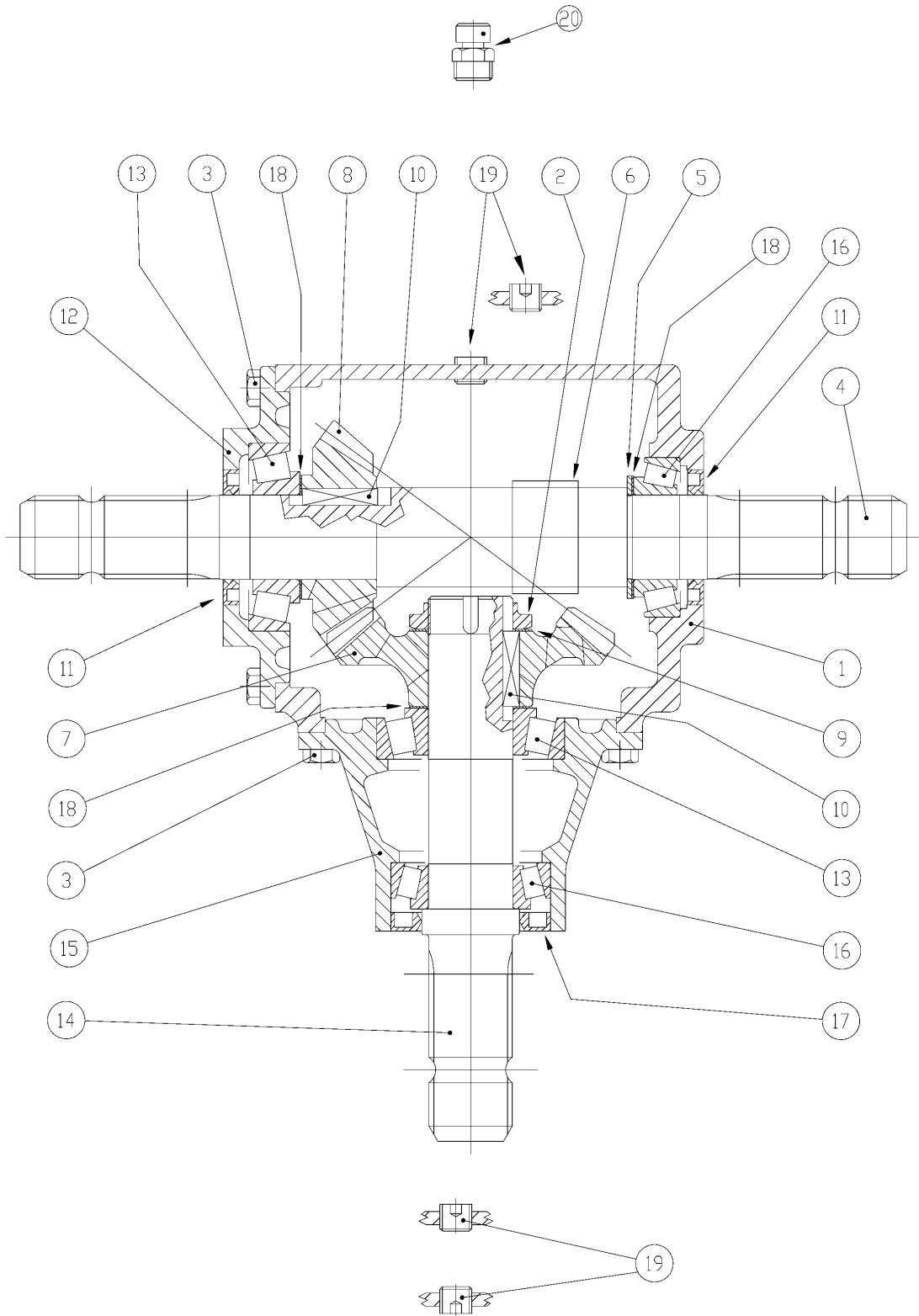
33448

Gearbox (826-718C)**Applies to RCF3696**

Ref	Part No.	Part Description	Comments	Revision
	Dwg 33448	Drawing Image Number		
	826-718C	GBOX RCF36 1.75-20 1:1.77 STD *		
1.	U0.125.0531.00	CO CASTING & MACHINING		
2.	U0.125.6007.00	CO GEAR CROWN Z23 M7.7		
3.	8.0.9.00143	CO BRG 30209 TAPPERED		
4.	8.7.3.00331	CO OIL SEAL 45 X 85 X 10 SL		
5.	U0.125.2000.03	CO 1 3/4" Z20 INPUT SHAFT		
6.	8.5.2.00332	CO SNAP RING UNI 7437		
7.	A.709.500	COMER SHIM KIT		
8.	8.5.1.00533	CO SNAP RING 50 UNI7435		
9.	0.132.7107.00	CO NUT M40X1.5		
10.	A.712.500	COMER SHIM KIT		
11.	8.0.9.01090	CO BRG 32210 TAPPERED		
12.	1.181.7101.00	CO SEAL PROTECTOR		
13.	8.7.1.02349	CO OIL SEAL 60X110X12 SL		
14.	8.0.9.00079	CO BRG 30212 TAPPERED		
15.	U0.125.3005.00	CO OUTPUT SHAFT		
16.	8.4.7.02265	CO COTTER PIN B 5X60		
17.	0.121.7101.00	CO CAP		
18.	0.288.7101.00	CO BLANK WASHER		
19.	0.252.7525.00	CO SHIM 45.3X2.5		
20.	0.285.7510.00	CO SHIM 40.3 X 61.7 X 1		
21.	U0.125.1303.00	CO TOP COVER		
22.	8.1.1.00501	CO BOLT M10X22 HHB		
23.	826-486C	COMER U0.125.7003.00 DIPSTICK		
24.	8.6.5.00006	CO OIL PLUG 3/8		
25.	8.4.7.01045	CO COTTER PIN B6X70 SLD-SPRTLY		
26.	8.2.2.00560	CO CASTLE NUT M36X3		
27.	U0.125.5007.00	CO GEAR PINION Z13 M7.7		

Gearbox, T-Box 540 RPM (826-356C) Comer

Applies to RCF3696



22346

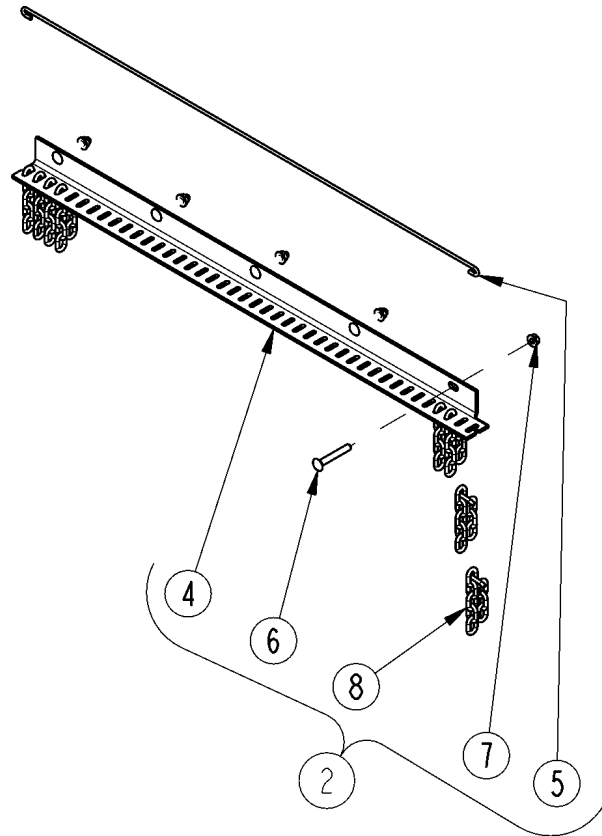
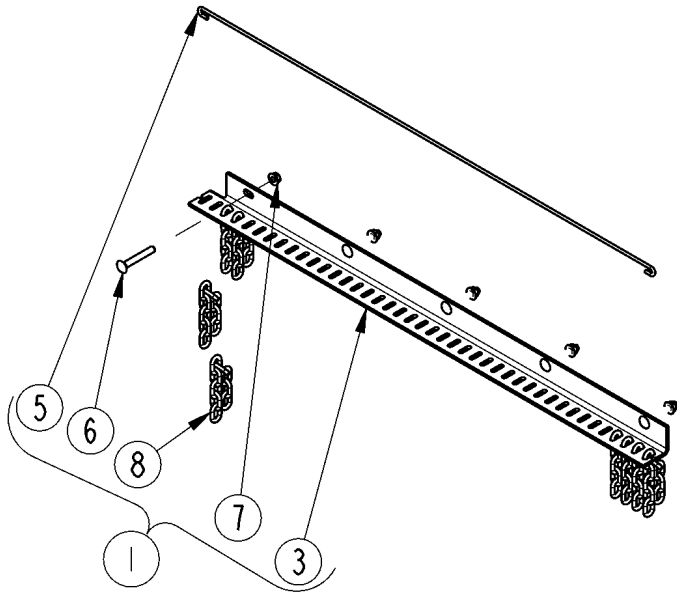
Gearbox, T-Box 540 RPM (826-356C) Comer**Applies to RCF3696**

Ref	Part No.	Part Description	Comments	Revision
	Dwg 22346	Drawing Image Number		
	826-356C	T-BOX 1.75-20 1:1.35		
		*		
1.	0.279.0305.00	CO CASING		
2.	0.278.7104.00	CO NUT LOCK M45 X 1.5		
3.	8.1.1.00501	CO BOLT M10X22 HHB		
4.	0.279.3016.00	CO THROUGH SHAFT 1 3/4" Z20		
5.	0.252.7525.00	CO SHIM 45.3X2.5		
6.	0.124.7135.00	CO LABEL		
7.	0.279.6001.00	CO GEAR CROWN Z27 M5.7		
8.	0.279.5001.00	CO GEAR PINION Z20 M5.7		
9.	0.252.7510.00	CO SHIM (45.3X65.3X1)		
10.	8.4.1.00978	CO PARALLEL KEY B 14 X 9 X 40		
11.	8.7.1.02686	CO DUST LIP 45 X 72 X 8		
12.	0.279.1315.00	CO COVER		
13.	8.0.9.00107	CO RL BRG 30309 (45X100X27.25)		
14.	0.279.2013.00	CO INPUT SHAFT 1 3/4" Z20		
15.	0.279.1313.00	CO EXTENSION		
16.	8.0.9.00125	CO BEARING 32209		
17.	8.7.3.02685	CO OIL SEAL 52 X 85 X 10		
18.	A252.500	CO SHIM 65.3MM RTA25		
19.	8.6.6.00201	CO PLUG 3/8 GAS		
20.	8.6.7.00161	CO OIL FILLER PLUG 3/8		
		*		

Notes: Oil Type 80-90W Capacity 4.5 Pints

Chain Guard Dual Front

Applies to RCF3696, RCFM3696



33431

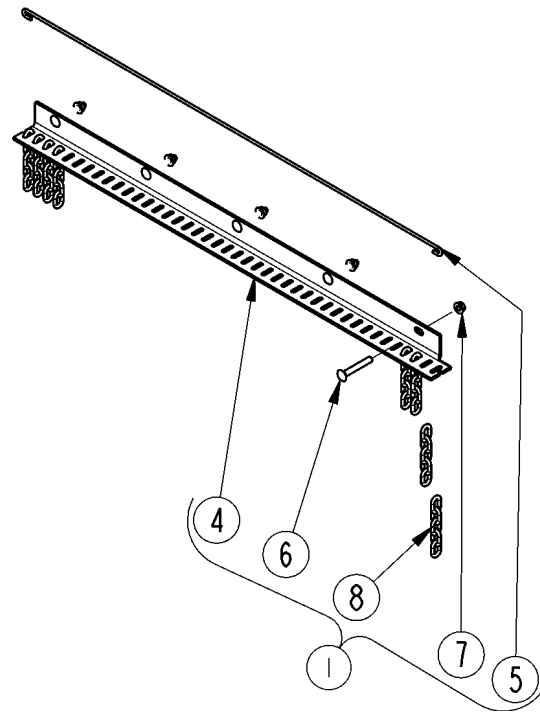
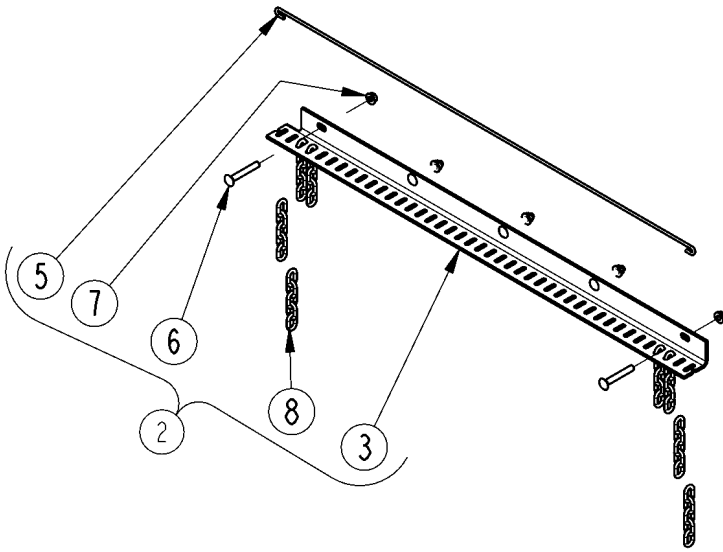
Chain Guard Dual Front

Applies to RCF3696, RCFM3696

Ref	Part No.	Part Description	Comments	Revision
	Dwg 33431 326-542A	Drawing Image Number FRONT DOUBLE CHAIN GUARD 96" *		
1.	326-539K	FRONT DOUBLE CHAIN GUARD RH		
2.	326-540K	FRONT DOUBLE CHAIN GUARD LH		
3.	326-949D	FRONT CHAIN GUARD RH		
4.	326-950D	FRONT CHAIN GUARD LH		
5.	326-954D	ROUND ROD 1/4 X 53		
6.	802-585C	RHSNB 1/2-13X3 1/2 GR5 PLT		
7.	803-037C	NUT HEX WHIZ 1/2-13 PLT		
8.	891-212C	CHAIN WELD 5/16 PRF X 9-LINK		

Chain Guard Single Front

Applies to RCF3696, RCFM3696



33432

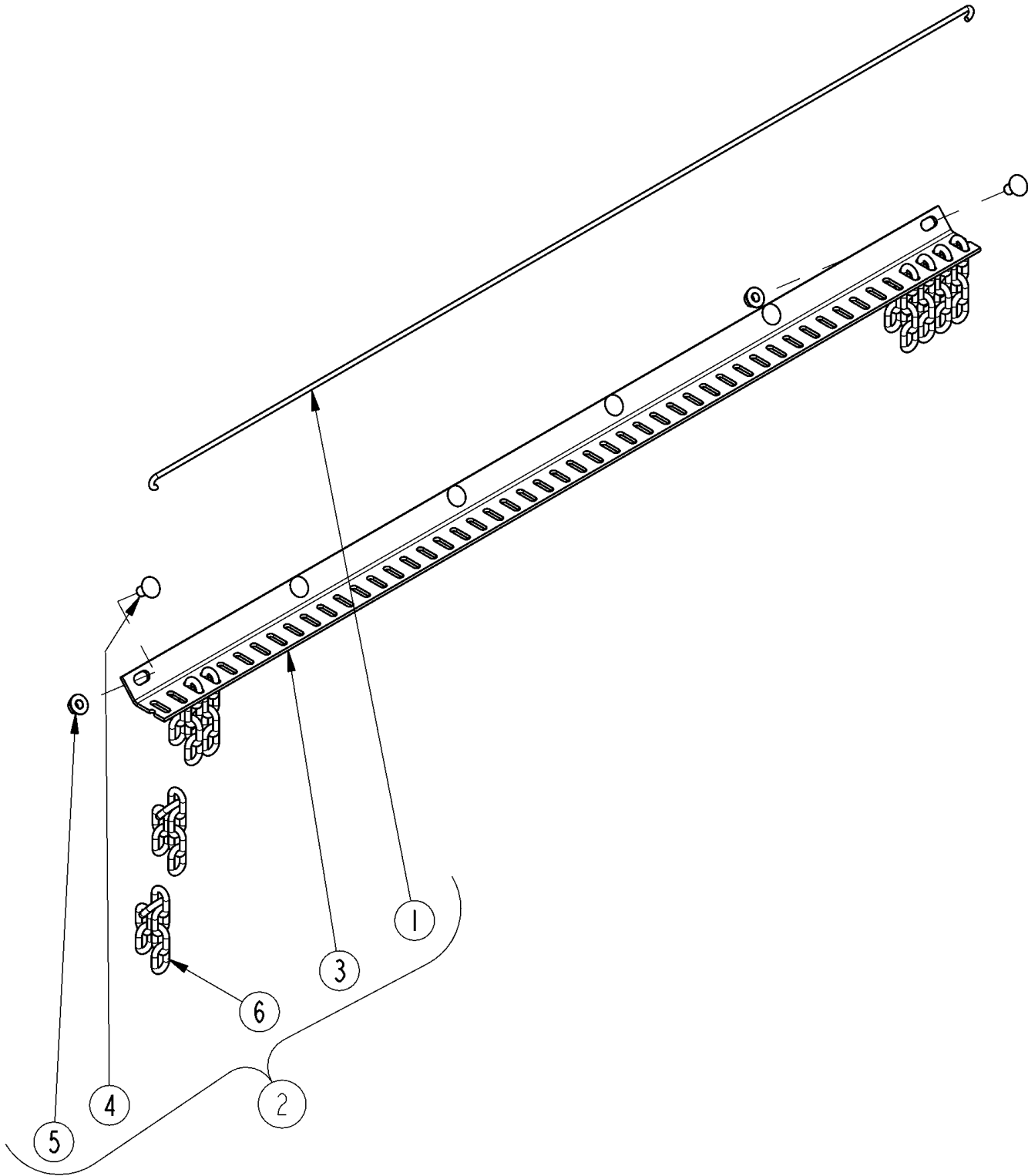
Chain Guard Single Front

Applies to RCF3696, RCFM3696

Ref	Part No.	Part Description	Comments	Revision
	Dwg 33432 326-541A	Drawing Image Number FRONT SINGLE CHAIN GUARD 96" *		
1.	326-537K	FRONT SINGLE CHAIN GUARD LH 96		
2.	326-538K	FRONT SINGLE CHAIN GUARD RH 96		
3.	326-949D	FRONT CHAIN GUARD RH		
4.	326-950D	FRONT CHAIN GUARD LH		
5.	326-954D	ROUND ROD 1/4 X 53		
6.	802-585C	RHSNB 1/2-13X3 1/2 GR5 PLT		
7.	803-037C	NUT HEX WHIZ 1/2-13 PLT		
8.	890-341C	CHAIN WELD 5/16 PROOF X 5 LINK		

Guard Chain Dual Rear

Applies to RCF3696, RCFM3696



33413

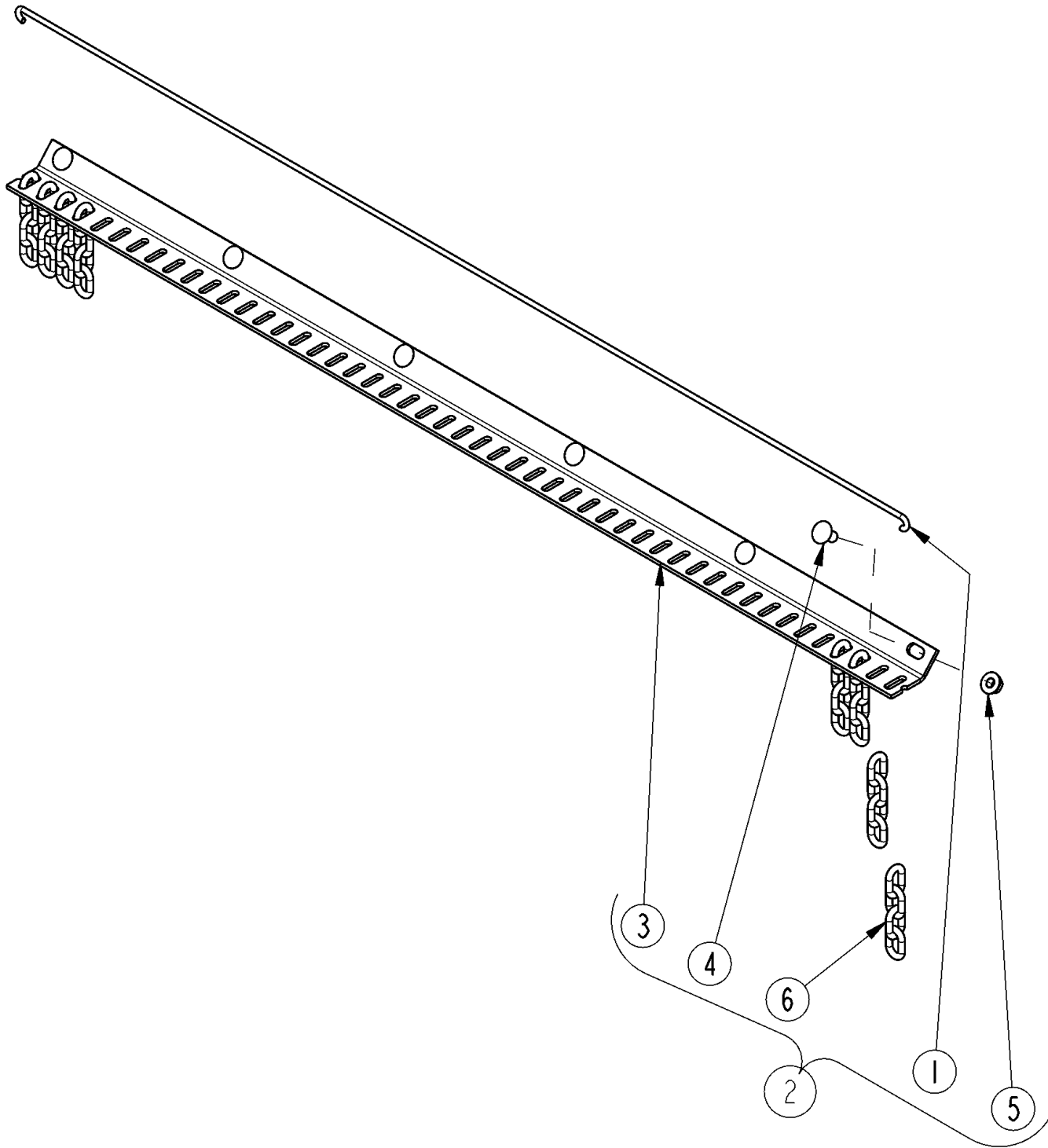
Guard Chain Dual Rear

Applies to RCF3696, RCFM3696

Ref	Part No.	Part Description	Comments	Revision
	Dwg 33413	Drawing Image Number		
1.	312-942D	RPBY 318-478D		
1.	318-478D	ROUND ROD .25 X 59		
2.	326-536A	REAR DOUBLE CHAIN GUARD 96"		
3.	326-948D	REAR CHAIN GUARD BRACKET		
4.	802-183C	RHSNB 1/2-13X1 GR5		
5.	803-037C	NUT HEX WHIZ 1/2-13 PLT		
6.	890-393C	CHAIN WELD 5/16 PROOF X 7-LINK		

Guard Chain Single Rear

Applies to RCF3696, RCFM3696



33364

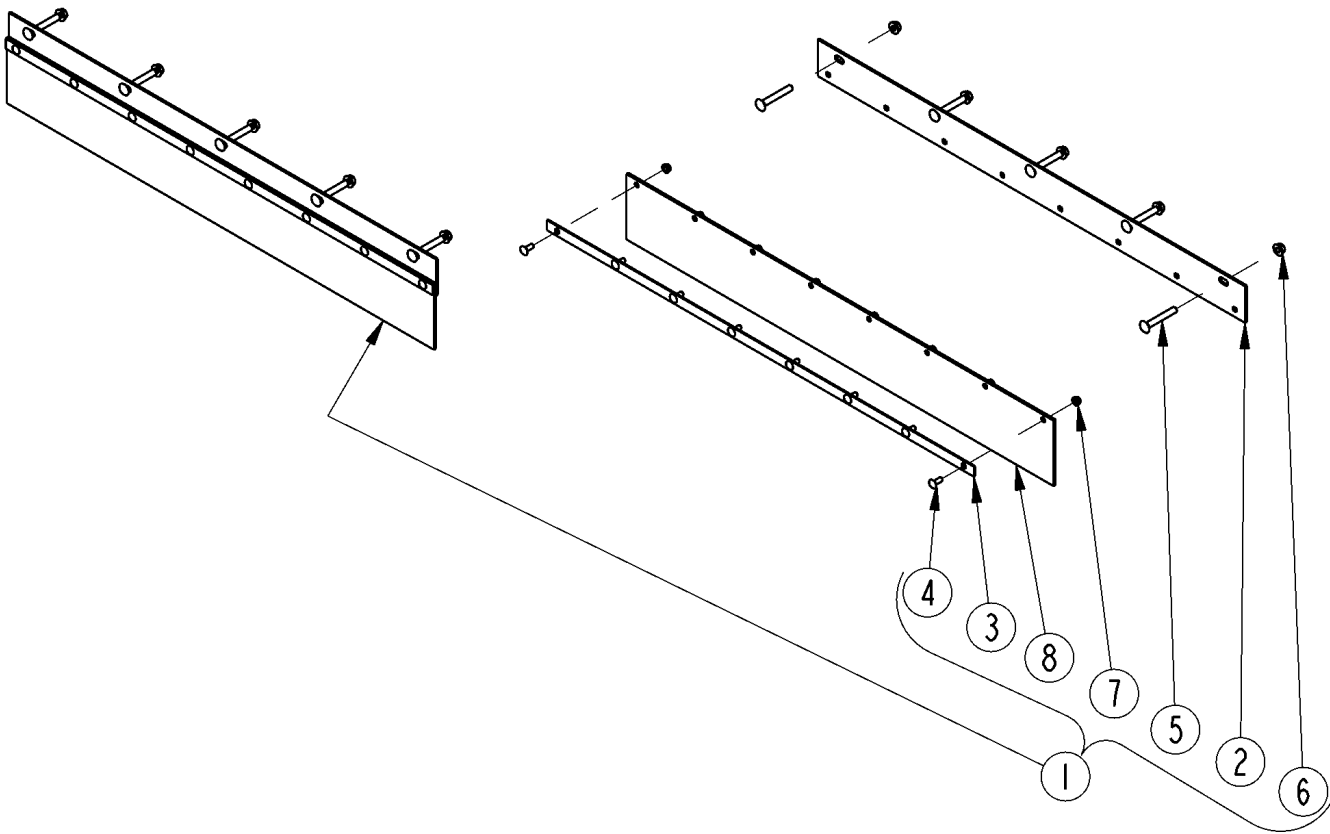
Guard Chain Single Rear

Applies to RCF3696, RCFM3696

Ref	Part No.	Part Description	Comments	Revision
	Dwg 33364	Drawing Image Number		
1.	312-942D	RPBY 318-478D		
1.	318-478D	ROUND ROD .25 X 59		
2.	326-535A	REAR SINGLE CHAIN GUARD 96"		
3.	326-948D	REAR CHAIN GUARD BRACKET		
4.	802-183C	RHSNB 1/2-13X1 GR5		
5.	803-037C	NUT HEX WHIZ 1/2-13 PLT		
6.	890-400C	CHAIN WELD 5/16 PROOF X 4 LINK		

Guard Rubber Front

Applies to RCF3696, RCFM3696



33433

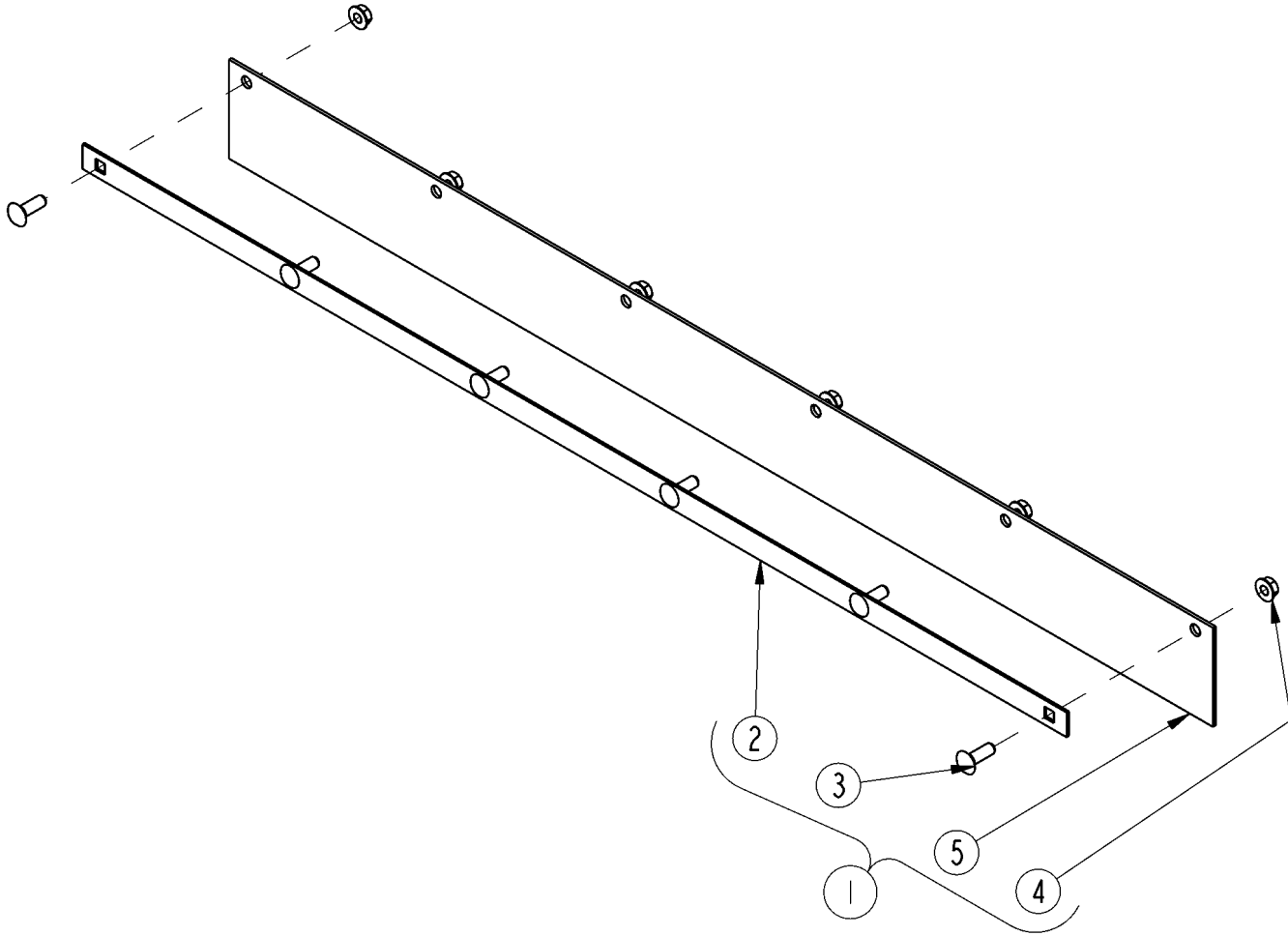
Guard Rubber Front

Applies to RCF3696, RCFM3696

Ref	Part No.	Part Description	Comments	Revision
	Dwg 33433 326-543A	Drawing Image Number FRONT RUBBER GUARD 96" *		
1.	326-544K	FRONT RUBBER GUARD		
2.	326-951D	FRONT DEFLECTOR BRACKET		
3.	326-952D	DEFLECTOR SUPPORT FLAT		
4.	802-015C	RHSNB 3/8-16X1 GR5		
5.	802-585C	RHSNB 1/2-13X3 1/2 GR5 PLT		
6.	803-037C	NUT HEX WHIZ 1/2-13 PLT		
7.	803-198C	NUT HEX WHIZ 3/8-16 PLT		
8.	816-714C	RUBBER DEFLECTOR		

Guard Rubber Rear

Applies to RCF3696, RCFM3696



33365

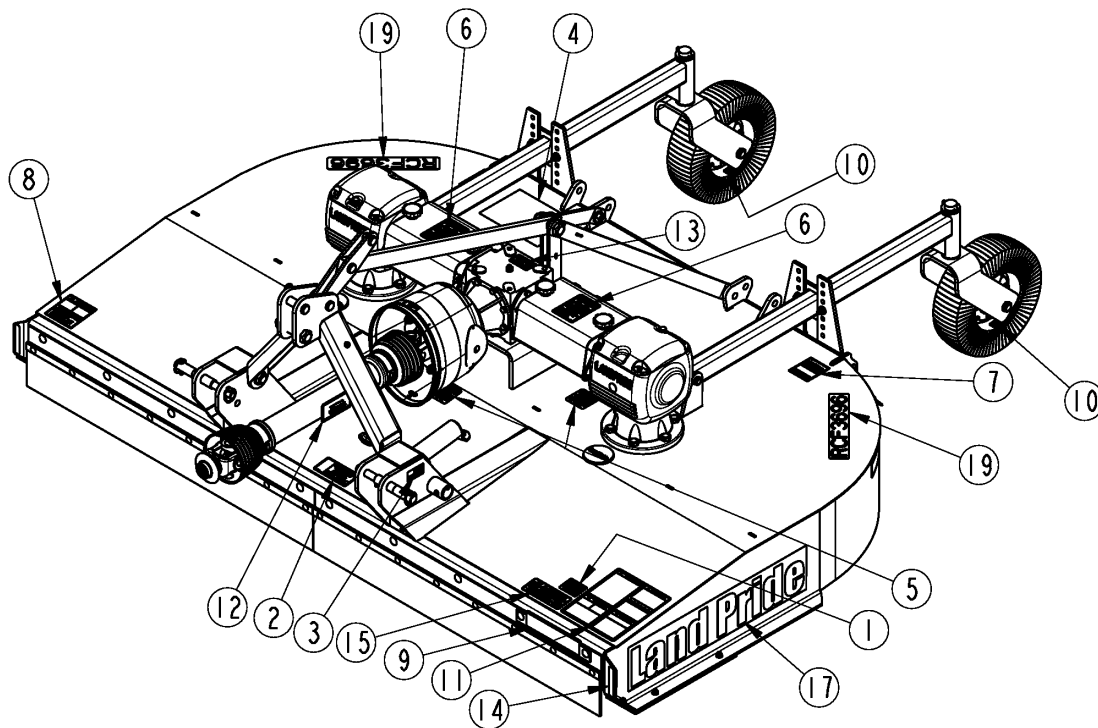
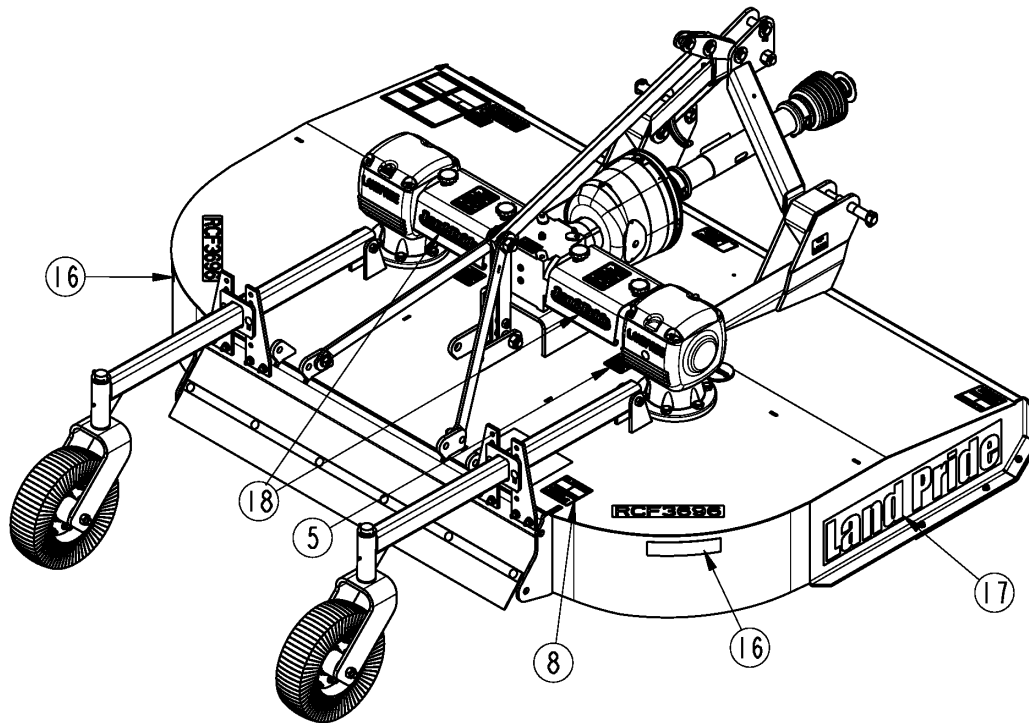
Guard Rubber Rear

Applies to RCF3696, RCFM3696

Ref	Part No.	Part Description	Comments	Revision
	Dwg 33365	Drawing Image Number		
1.	326-545A	REAR RUBBER GUARD 96"		
2.	326-953D	DEFLECTOR SUPPORT FLAT		
3.	802-106C	RHSNB 1/2-13X1 1/2 GR5		
4.	803-037C	NUT HEX WHIZ 1/2-13 PLT		
5.	816-715C	RUBBER DEFLECTOR		

Decal Placement 3-Point

Applies to RCF3696, RCFM3696



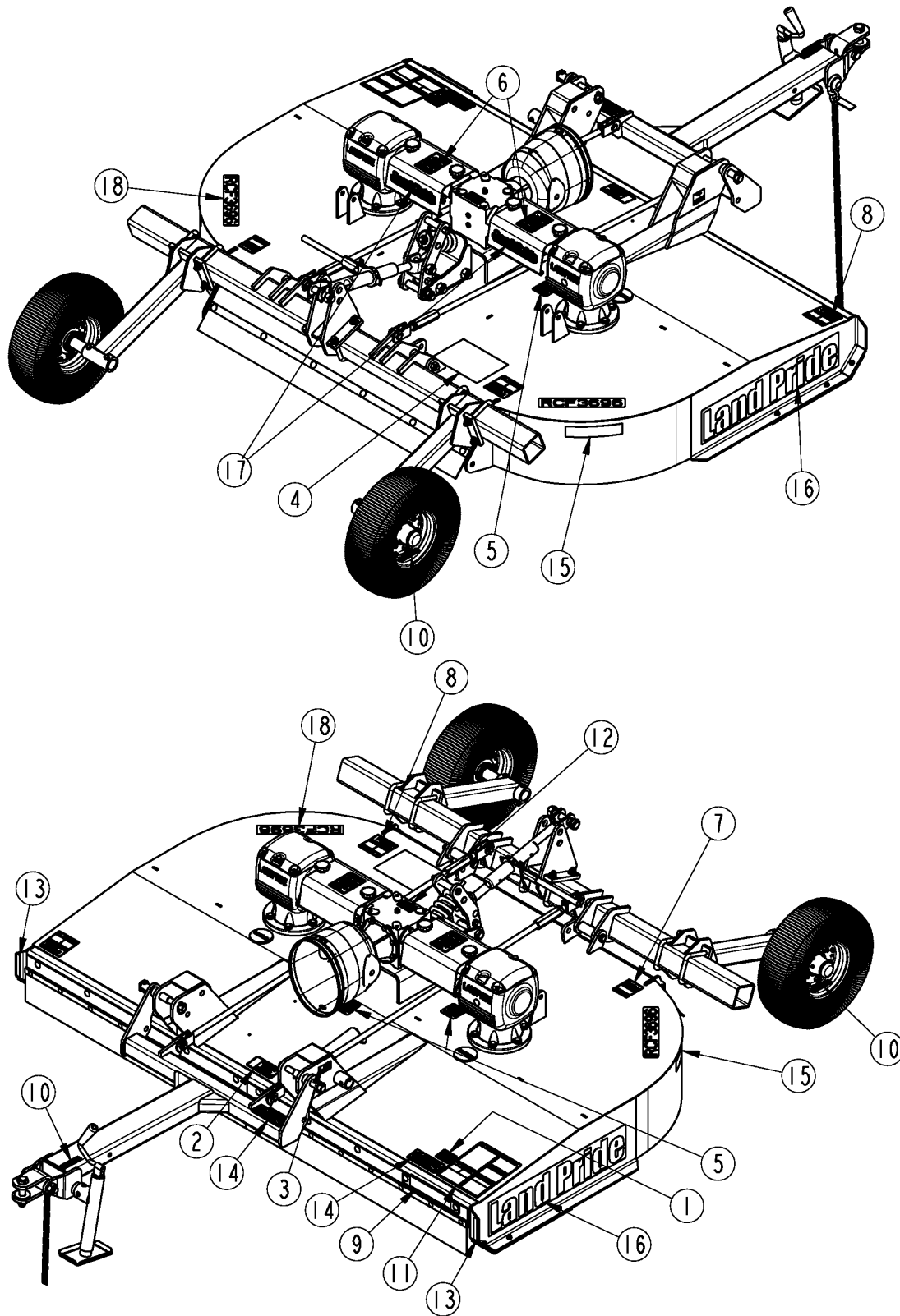
33434

Decal Placement 3-Point**Applies to RCF3696, RCFM3696**

Ref	Part No.	Part Description	Comments	Revision
	Dwg 33434	Drawing Image Number		
1.	818-130C	DECAL WARNING 540 RPM	RCF3696	
1.	818-240C	DECAL CAUTION 1000 RPM	RCFM3696	
2.	818-142C	DECAL DANGER PTO DRIVELINE EN		
3.	N/A			
4.	818-225C	DECAL RC120 BLADE ROTATION		
5.	818-543C	DECAL DANGER PD GUARD MISS SML		
6.	818-552C	DECAL DANGER PTO DRIVELINE		
7.	818-556C	DECAL DANGER THROWN OBJ CUTTER		
8.	818-555C	DECAL DANGER ROTATE BLADE		
8.	818-564C	RPBY 818-555C	Obsolete	
9.	838-615C	DECAL REFLECTOR AMBER 2X9	S/N 813017+	
10.	818-681C	DECAL NOTICE - 20 MPH MAX		
11.	818-830C	DECAL SAFETY COMBO SUNWEST	S/N 1538230-	
11.	844-190C	DECAL SINGLE DECK SAFETY COMBO	S/N 1538231+	
12.	818-842C	DECAL DRIVELINE 826-255C		
13.	818-862C	DECAL 5 YEAR GEARBOX WARRANTY		
14.	838-062C	DECAL AMBER NARROW REFLECTOR		
15.	838-094C	DECAL WARNING HYD PRESS LONG		
16.	838-614C	DECAL REFLECTOR RED 2X9		
17.	838-959C	DECAL LANDPRIDE 30" GREEN	S/N _____ -	
17.	848-128C	DECAL LANDPRIDE 25-GOLD	S/N _____ +	
18.	848-159C	DECAL LANDPRIDE 10" BROWN/GOLD		
19.	848-711C	DECAL RCF3696 - GREEN	S/N _____ -	
19.	848-712C	DECAL RCF3696 - GOLD	S/N _____ +	
19.	848-715C	DECAL RCFM3696 - GREEN	S/N _____ -	
19.	848-716C	DECAL RCFM3696 - GOLD	S/N _____ +	

Decal Placement Pull Type

Applies to RCF3696, RCFM3696



33435

Decal Placement Pull Type**Applies to RCF3696, RCFM3696**

Ref	Part No.	Part Description	Comments	Revision
	Dwg 33435	Drawing Image Number		
1.	818-130C	DECAL WARNING 540 RPM	RCF3696	
1.	818-240C	DECAL CAUTION 1000 RPM	RCFM3696	
2.	818-142C	DECAL DANGER PTO DRIVELINE EN		
3.	N/A			
4.	818-225C	DECAL RC120 BLADE ROTATION		
5.	818-543C	DECAL DANGER PD GUARD MISS SML		
6.	818-552C	DECAL DANGER PTO DRIVELINE		
7.	818-556C	DECAL DANGER THROWN OBJ CUTTER		
8.	818-555C	DECAL DANGER ROTATE BLADE		
8.	818-564C	RPBY 818-555C	Obsolete	
9.	838-615C	DECAL REFLECTOR AMBER 2X9	S/N 813017+	
10.	818-681C	DECAL NOTICE - 20 MPH MAX		
11.	818-830C	DECAL SAFETY COMBO SUNWEST	S/N 1538230-	
11.	844-190C	DECAL SINGLE DECK SAFETY COMBO	S/N 1538231+	
12.	818-862C	DECAL 5 YEAR GEARBOX WARRANTY		
13.	838-062C	DECAL AMBER NARROW REFLECTOR		
14.	838-094C	DECAL WARNING HYD PRESS LONG		
15.	838-614C	DECAL REFLECTOR RED 2X9		
16.	838-959C	DECAL LANDPRIDE 30" GREEN	S/N _____ -	
16.	848-128C	DECAL LANDPRIDE 25" GOLD	S/N _____ +	
17.	848-159C	DECAL LANDPRIDE 10" BROWN/GOLD		
18.	848-711C	DECAL RCF3696 - GREEN	S/N _____ -	
18.	848-712C	DECAL RCF3696 - GOLD	S/N _____ +	
18.	848-715C	DECAL RCFM3696 - GREEN	S/N _____ -	
18.	848-716C	DECAL RCFM3696 - GOLD	S/N _____ +	

Touch-up Paints - LP

Applies to RCF3696, RCFM3696

No diagram associated with this Parts List

Touch-up Paints - LP**Applies to RCF3696, RCFM3696**

Ref	Part No.	Part Description	Comments	Revision
1.	821-011C	LP BEIGE SPRAY CAN	Spray can	
1.	821-011CTU	LP BEIGE TOUCH-UP 5OZ	Touch-up bottle with brush	
1.	821-011CQT	LP BEIGE QUART	Quart can	
1.	821-011CGL	LP BEIGE GALLON	Gallon can	
2.	821-070C	GLOSS BLACK SPRAY CAN	Spray can	
2.	821-070CTU	GLOSS BLACK TOUCH-UP 5OZ	Touch-up bottle with brush	
2.	821-070CQT	GLOSS BLACK QUART	Quart can	
2.	821-070CGL	GLOSS BLACK GALLON	Gallon can	
3.	821-054C	MED. RED SPRAY TRCK/CTR	Spray can	
3.	821-054CTU	MED RED TOUCH-UP 5OZ	Touch-up bottle with brush	
3.	821-054CQT	MED RED QUART	Quart can	
3.	821-054CGL	MED RED GALLON	Gallon can	
4.	821-058C	GREEN SPRAY CUTTERS	Spray can	
4.	821-058CTU	GREEN TOUCH-UP 5OZ	Touch-up bottle with brush	
4.	821-058CQT	GREEN QUART	Quart can	
4.	821-058CGL	GREEN GALLON	Gallon can	
5.	821-066C	ORANGE SPRAY CAN	Spray can	
5.	821-066CTU	ORANGE TOUCH-UP 5OZ	Touch-up bottle with brush	
5.	821-066CQT	ORANGE QUART	Quart can	
5.	821-066CGL	ORANGE GALLON	Gallon can	
6.	821-067C	BLUE SPRAY CAN	Spray can	
6.	821-067CTU	BLUE TOUCH-UP 5OZ	Touch-up bottle with brush	
6.	821-067CQT	BLUE QUART	Quart can	
6.	821-067CGL	BLUE GALLON	Gallon can	
7.	821-080C	PAINT ALUMINUM/ZINC SPRAY CAN	Spray can	
7.	821-080CTU	PAINT ALUMINUM/ZINC TOUCH UP	Touch-up bottle with brush	
7.	821-080CQT	PAINT ALUMINUM/ZINC QUART	Quart can	
7.	821-080CGL	PAINT ALUMINUM/ZINC GALLON	Gallon can	



Part Number Index

The Part Number Index is a numeric index of all part numbers included in this manual. The index shows what page(s) the part is used on.

Part Number	Page	Part Number	Page	Part Number	Page	Part Number	Page
0.121.7101.00	69, 103	1510162521	83	190000018	83	326-495H	15
0.124.7135.00	105	1510163441	83, 85	190000032	83	326-496H	35
0.132.7107.00	69, 103	1526062	55, 95	190000047	83	326-500H	9
0.252.7510.00	67, 105	1526070	53, 93	190000098	83, 85	326-508A	9, 11
0.252.7525.00	67, 69, 103, 105	1528040D	87	190000099	83, 85	326-530H	13
0.278.7104.00	67, 105	1528044D	57	1900001010	85	326-531H	13
0.279.0305.00	67, 105	1528062	55	190000995	83	326-535A	113
0.279.1313.00	67, 105	1528084	95	1D0007-812	25	326-536A	111
0.279.1315.00	67, 105	165000549	83, 85	1D0007-850	23	326-537K	109
0.279.2013.00	67, 105	165000589	83, 85	1D0206-1075	23	326-538K	109
0.279.3016.00	67, 105	165000628	85	1D1003-5	23	326-539K	107
0.279.5001.00	67, 105	1705009	59, 61, 63, 97, 99	1D1013-5	25	326-540K	107
0.279.6001.00	67, 105	1705278	51, 91	1D1157-17	23	326-541A	109
0.285.7510.00	69, 103	1706027	55, 57, 65, 87, 95, 101	1D1205-8	23	326-542A	107
0.288.7101.00	69, 103	1706029	53, 55, 93, 95	1D1401-300	23	326-543A	115
010490	49, 89	1706033	59, 63, 97, 99	1D1551-16275	23, 25	326-544K	115
019519	49, 89	1706313	97	1D1551-16300	23, 25	326-545A	117
020469	49, 89	1706314	59	200-001D	19, 21	326-556K	15, 17
020616	89	1707033	61	26-15120	81	326-557H	15, 17
020617	49	1708016	63, 99	26-15159	81	326-559H	33, 35, 37
020672	49, 89	1708017	61	2A0079-616	23, 25	326-564H	9, 11
03-10326	81	1708034	63, 97, 99	2A0235-6	23, 25	326-587H	11
03-15450	81	172758	49, 89	2A0235-8	23, 25	326-591D	13
044321	49, 53, 55, 57, 65, 87, 89, 93, 95, 101	1785273	51, 91	2A0246-12	23, 25	326-606H	31
087276	49, 89	1786710	53, 55, 57, 65, 87, 93, 95, 101	2A0580-1075	25	326-889H	17
095758	89	1786711	53, 55, 93, 95	2A0580-1100	23	326-891D	13
1.181.7101.00	69, 103	180014022	83, 85	301.008	49, 89	326-891H	17
1004220	55, 95	180014240	83	312-067K	35	326-912D	11
1004225	55, 87, 95	180016130	85	312-075D	39, 41, 71, 73	326-916D	13
1004227	57	180016237	83	312-082D	39, 41, 71, 73	326-917D	13
1005220	51, 91	180016238	83	312-084L	35	326-933H	15, 17
1006020	53, 55, 57, 65, 87, 93, 95, 101	180016780	83	312-089D	39, 41, 71, 73	326-934K	15, 17
1016010	95	180016946	83	312-100H	35	326-941D	43, 45, 47, 75, 77, 79
1016012	87, 95	180019014	83, 85	312-231D	35	326-947D	13
1016013	57, 95	180019018	83, 85	312-421H	15	326-948D	111, 113
1016015	55	180019019	83, 85	312-508H	43, 45, 47, 75, 77, 79	326-949D	107, 109
1016017	55	1800191161	83, 85	312-509H	43, 45, 47, 75, 77, 79	326-950D	107, 109
11-20414	81	1808010	59, 61, 63, 97, 99	312-608A	51, 91	326-951D	115
11-30017	81	1876023D	101	312-616D	31	326-952D	115
1138007	59, 61, 63, 97, 99	1876025D	65	312-715D	47, 79	326-953D	117
1138008	59, 61, 63, 97, 99	1876030D	87	312-729D	9, 11	326-954D	107, 109
1215010	59, 61	1876034D	57	312-733D	15, 17	326-968D	33, 35, 37
1215012	63, 99	1876052	55, 95	312-808D	39, 41, 71, 73	326-982D	13
1215733	53, 55, 57, 65, 87, 93, 95, 101	1876064	93	312-811D	31	326-988D	11
1215735	53, 55, 57, 65, 87, 93, 95, 101	1876066	53	312-821D	13	327-143S	13
1222609352	83	1876304	93	312-833D	47, 79	327-228D	45, 77
1236039	61	1876305	53	312-931D	13	327-245H	37
13-10021	81	1877052	55, 95	312-942D	111, 113	327-571D	47, 79
13-10022	81	1877064	93	312-999D	47, 79	327-593D	47, 79
13-15250	81	1877066	53	312410	49, 89	330-294D	11
134713	49, 89	1877304	93	318-008H	15, 17	330-297A	63, 97, 99
1406016	55, 65	1877305	53	318-478D	111, 113	330-404H	15, 17
1406028	53	1885702	53, 55, 65, 93, 95, 101	318-586A	39, 41, 71, 73	330-938K	21, 37
1406116	55, 61, 65	1885703	55, 57, 87, 95	320684	49, 89	331-795L	19, 37
1406128	53, 59	1885704	57, 87	321245	49	332-014D	7
1410265441	85	1885705	53, 65, 93, 101	326-002D	13, 47, 79	334-004H	29
1422605477621	85	1885709	53, 55, 57, 65, 87, 93, 95, 101	326-428H	7	334-006A	29
1422605517621	83	1896028D821	101	326-428h81	7	334-007A	27
1422663287621	83	1896030D821	65	326-428h82	7	334-049H	27
1422673017621	83	1896030S821	65	326-428h83	7	334-050H	27
1446016	63, 95, 99	1896069N327	93	326-430H	39, 41, 71, 73	334-066H	27, 29
1446037	93, 101	1896071N327	53	326-433S	39, 71	342221	49, 89
1446137	93, 97, 101	1896314N327	93	326-479D	7	35021-1425	81
1462620191	83, 85	1896315N327	53	326-488H	33	355155	49, 89
1510160371	83, 85	19-15126	81	326-489H	37	359471	49, 89
				326-491A	11	365305	49, 89
				326-492H	11	365722	49, 89
				326-494A	9	377341	49, 89
						380371	49, 89

Table of Contents Part Number Index



Part Number Index (continued)

Part Number	Page	Part Number	Page	Part Number	Page	Part Number	Page
381908	89	802-082C	45, 77	804-012C	9, 11	816-714C	115
382437	89	802-096C	15, 17	804-015C	17, 31, 33, 35,	816-715C	117
382647	89	802-098C	13, 15		43, 45, 47, 75,	817-259C	43, 45, 47, 75,
383084	49	802-099C	19, 37		77, 79		77, 79
383128	89	802-106C	17, 31, 117	804-016C	31, 33, 35, 45, 77	818-130C	119, 121
383333	49, 89	802-135C	31, 33, 35	804-017C	11	818-142C	119, 121
383334	49	802-138C	13	804-021C	47, 79	818-225C	119, 121
384064	49	802-146C	47, 79	804-022C	47, 79	818-240C	119, 121
386083	49, 89	802-162C	31	804-023C	35	818-540C	53, 55, 57, 65,
388434	49	802-169C	13	804-024C	47, 79		87, 89, 93, 95,
390404	49	802-183C	111, 113	804-025C	13, 15, 17		101
4C2444	25	802-184C	9, 11	804-026C	13	818-543C	119, 121
4C2649	25	802-205C	9, 11, 13	804-027C	17	818-552C	53, 55, 57, 65,
4C4360	25	802-212C	43, 45, 47, 75,	804-028C	15		87, 93, 95, 101,
4C5853	25		77, 79	804-029C	13, 15, 17		119, 121
6001010	97	802-224C	7	804-036C	13, 43, 45, 47,	818-555C	119, 121
6001085	59, 61	802-254C	11		75, 77, 79	818-556C	119, 121
6331070	53, 55, 93, 95	802-260C	47, 79	804-055C	19, 21	818-564C	119, 121
6331080	55, 57, 65, 87,	802-269C	11	804-066C	31, 33	818-681C	119, 121
	95, 101	802-272C	35	804-074C	35	818-830C	119, 121
6410614	61	802-277C	39, 41, 71, 73	804-125C	15	818-842C	119
6412014	61	802-280C	31, 33, 47, 79	804-147C	39, 41, 71, 73	818-862C	119, 121
6560006	55, 95	802-314C	43, 45, 47, 75,	805-017C	13	8180014240	85
6560208	51, 91		77, 79	805-032C	23, 25	8180016237	85
6560508	53, 55, 65, 87,	802-326C	31, 33, 35	805-045C	15, 17	8180016238	85
	93, 95, 101	802-360C	33, 35, 37	805-083C	15, 17	820-195C	39, 71
6561306	53, 93	802-365C	27, 29	805-088C	13, 15	820-196C	41, 73
6691010	63, 97, 99	802-585C	7, 107, 109, 115	805-090C	13	821-011C	123
6761480	59, 97	802-603C	7	805-103C	13, 15	821-011CGL	123
6821484	61, 63, 99	802-762C	11	805-109C	15, 17	821-011CQT	123
695580	89	802-779C	19, 21	805-137C	13	821-011CTU	123
695581	49	802-908C	13	805-246C	19, 21	821-054C	123
8.0.9.00079	69, 103	803-013C	9, 11	805-255C	31, 33, 35	821-054CGL	123
8.0.9.00107	67, 105	803-019C	19, 27, 29, 37,	805-274C	13, 15	821-054CQT	123
8.0.9.00125	67, 105		47, 79	805-485C	13, 15	821-054CTU	123
8.0.9.00143	69, 103	803-020C	17	806-184C	9, 11, 33, 35, 37	821-058C	123
8.0.9.01090	69, 103	803-021C	47, 79	807-023C	9, 11	821-058CGL	123
8.1.1.00501	67, 69, 103, 105	803-026C	9, 11, 13, 31, 33,	807-271C	11	821-058CQT	123
8.2.2.00560	69, 103		35, 37, 47, 79	807-350C	13	821-058CTU	123
8.4.1.00978	67, 105	803-027C	35	810-009C	23	821-066C	123
8.4.7.01045	69, 103	803-028C	13	810-384C	9, 11, 23	821-066CGL	123
8.4.7.02265	69, 103	803-029C	19, 21	810-818C	9, 11	821-066CQT	123
8.5.1.00533	69, 103	803-030C	15, 17	811-133C	9	821-066CTU	123
8.5.2.00332	69, 103	803-031C	17	811-394C	9, 11	821-067C	123
8.6.5.00006	69, 103	803-037C	7, 31, 45, 77,	811-633C	11	821-067CGL	123
8.6.6.00201	67, 105		107, 109, 111,	811-676C	9, 11	821-067CQT	123
8.6.7.00161	67, 105		113, 115, 117	811-694C	11	821-067CTU	123
8.7.1.02349	69, 103	803-038C	13	812-388C	11	821-070C	123
8.7.1.02686	67, 105	803-075C	15, 17	812336053611	85	821-070CGL	123
8.7.3.00331	69, 103	803-147C	11	8123460110411	85	821-070CQT	123
8.7.3.02685	67, 105	803-148C	11	814-058C	31, 33	821-070CTU	123
800-001C	31, 33, 35	803-168C	9, 11, 13, 15, 17	814-059C	35	821-080C	123
800-069C	47, 79	803-170C	39, 41, 71, 73	814-161C	31, 33	821-080CGL	123
800-080C	19, 21, 31, 33,	803-177C	13	814-265C	37	821-080CQT	123
	35, 45, 77	803-181C	27	814-444C	37	821-080CTU	123
800-306C	11	803-198C	7, 115	814-449C	37	822-020C	19, 21
801-035C	45, 77	803-255C	7	814-450C	37	822-021C	19, 21
802-007C	43, 45, 47, 75,	803-258C	11	814-451C	37	822-033C	19, 21
	77, 79	803-263C	9, 11, 33, 35, 37	814-461C	37	822-034C	19, 21
802-010C	13	803-265C	15, 17	814-478C	37	822-091C	31, 33, 35
802-015C	115	803-271C	13, 31	815-092C	31, 33, 35	822-092C	31, 33, 35
802-017C	9, 11	803-279C	59, 61, 97	815-230C	31, 33, 35	822-094C	45, 77
802-034C	43, 45, 47, 75,	803-289C	31, 33, 35	815-231C	31, 33, 35	822-100C	47, 79
	77, 79	803-299C	43, 45, 47, 75,	815-242C	21	826-053C	45, 77, 81, 89
			77, 79	815-243C	19, 21	826-063C	45, 49, 77
802-042C	45, 77	803-308C	31, 33, 35	815-401C	37	826-151C	47, 79, 87
802-057C	13	803-310C	19, 21	815-402C	37	826-223C	47, 57, 79
802-064C	13	803-375C	15, 17	815-491C	19	826-224C	43, 45, 47, 51,
802-065C	43, 45, 47, 75,	804-007C	7	816-286C	31, 33, 35		75, 77, 79, 91
	77, 79	804-009C	43, 45, 47, 75,	816-497C	19, 21	826-225C	45, 77, 101
802-070C	27		77, 79	816-504C	7	826-226C	45, 65, 77
802-074C	15						



Part Number Index (continued)

<u>Part Number</u>	<u>Page</u>	<u>Part Number</u>	<u>Page</u>
826-255C	43, 75, 95	Dwg 15995	65, 101
826-256C	47, 79, 93	Dwg 16173	53, 93
826-258C	43, 55, 75	Dwg 16370a	57
826-259C	47, 53, 79	Dwg 16610	87
826-356C	43, 45, 47, 75, 77, 79, 105	Dwg 16886	51, 91
826-424C	43, 45, 47, 67, 75, 77, 79	Dwg 22283	55, 95
826-486C	43, 45, 47, 69, 75, 77, 79, 103	Dwg 22346	105
826-503C	43, 45, 47, 75, 77, 79	Dwg 22348	67
826-568C	57	Dwg 30197	59
826-569C	55, 95	Dwg 30198	97
826-570C	93	Dwg 30279	89
826-571C	53	Dwg 33356	33
826-578C	87	Dwg 33357	35
826-589C	49	Dwg 33364	113
826-590C	89	Dwg 33365	117
826-648C	43, 45, 47, 75, 77, 79	Dwg 33413	111
826-718C	43, 45, 47, 69, 75, 77, 79, 103	Dwg 33423	7
826-881C	83	Dwg 33424	13
826-889C	85	Dwg 33425	31
826-892C	47, 79	Dwg 33426	37
827-036C	31, 33, 35	Dwg 33427	39, 71
837-062C	13	Dwg 33428	41, 73
837-063C	13	Dwg 33429	43, 75
837-101C	43, 45, 47, 75, 77, 79	Dwg 33430	47, 79
838-062C	119, 121	Dwg 33431	107
838-094C	119, 121	Dwg 33432	109
838-614C	119, 121	Dwg 33433	115
838-615C	119, 121	Dwg 33434	119
838-959C	119, 121	Dwg 33435	121
840-273C	7	Dwg 33448	69, 103
841-103C	11	Dwg 33453	11
841-284C	11	Dwg 33826	61
844-190C	119, 121	Dwg 33827	15
848-128C	119, 121	Dwg 35174	45, 77
848-159C	119, 121	Dwg 35175	9
848-711C	119, 121	Dwg 37676	21
848-712C	119, 121	Dwg 70102	17
848-715C	119, 121	Dwg 70103	29
848-716C	119, 121	Dwg 70104	27
850-357C	25	Dwg 72662	19
850-449C	9, 11, 25	Dwg 72988	83
86810-1008	81	Dwg 72998	81
890-118C	15, 17	Dwg 73011	85
890-341C	109	dwg15521	63, 99
890-393C	111	HT250	19
890-400C	113	N/A	23, 25, 39, 41, 71, 73, 81, 119, 121
890-637C	9, 11	U0.125.0531.00	69, 103
890-961C	31, 33	U0.125.1303.00	69, 103
891-212C	107	U0.125.2000.03	69, 103
891-246C	15, 17	U0.125.3005.00	69, 103
91SL6034D	57	U0.125.5007.00	69, 103
92-27741	81	U0.125.6007.00	69, 103
93-27741	81		
94-27741	81		
95-27741	81		
96-27741	81		
97-27741	81		
98-27741	81		
99-27741	81		
A.709.500	69, 103		
A.712.500	69, 103		
A252.500	67, 105		
Dwg	23, 25		
Dwg 10452	49		

This Page Intentionally Left Blank



Great Plains Manufacturing, Inc.

Corporate Office: P.O. Box 5060
Salina, Kansas 67402-5060 USA

www.landpride.com
