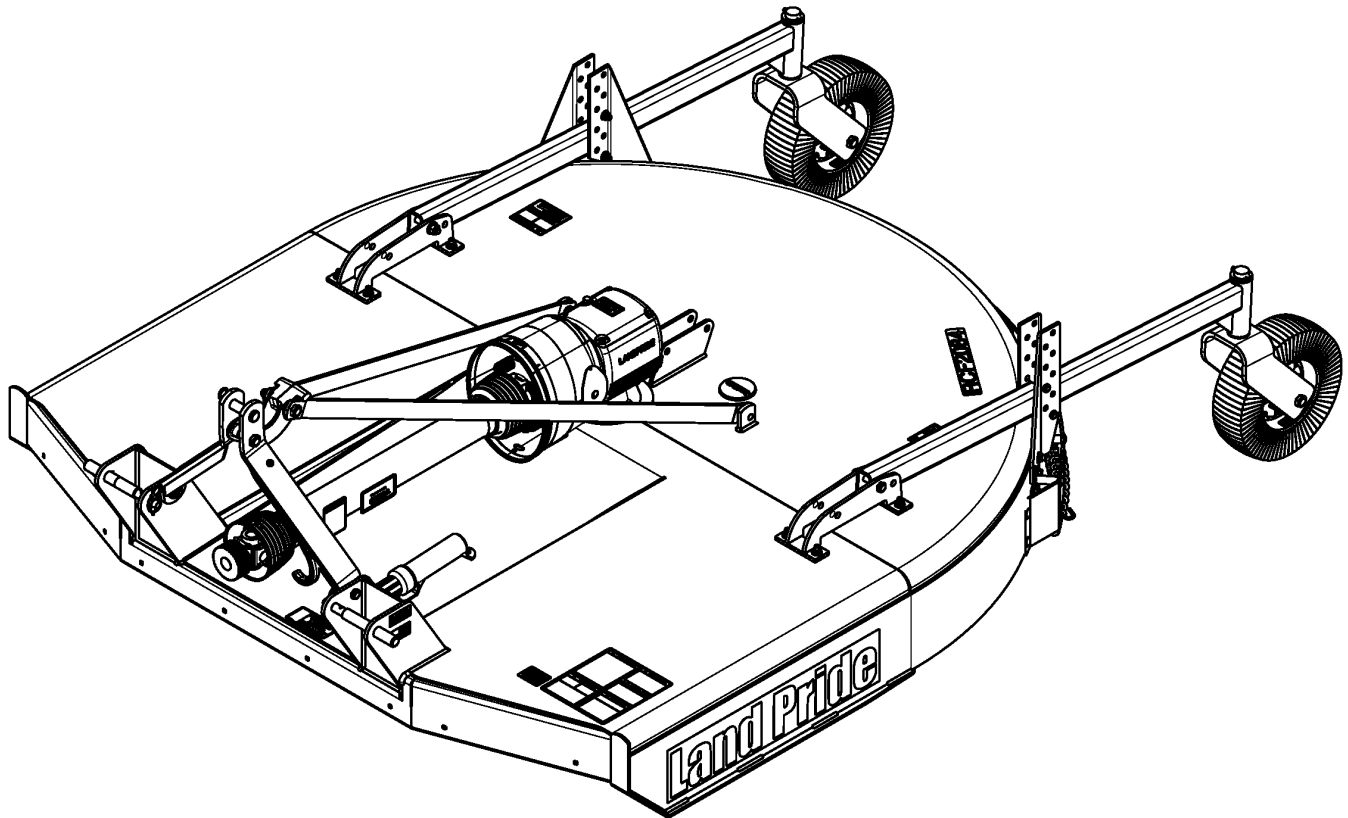


Rotary Cutter

RCF2084



30895

326-461P Parts Manual



Read the Operator's Manual entirely. When you see this symbol, the subsequent instructions and warnings are serious - follow without exception. Your life and the lives of others depend on it!

© Copyright 2020 Printed 07/14/20

Cover photo may show optional equipment not supplied with standard unit.





Table of Contents

Section 1: Introduction.....	4
Using This Manual.....	4
Manual Replacement Information.....	4
Manual Revisions.....	4
Touch-up Paint.....	4
Hardware Legend.....	5
Replacement Hardware.....	5
Serial Numbers.....	5
Part Number Service Coding.....	5
Section 2: Deck.....	6
Deck Components.....	6
Gauge Wheel Mount Dual.....	8
Gauge Wheel Mount Single.....	10
Guard Chain Single Front.....	12
Guard Chain Single Rear S/N 1151354-.....	14
Guard Rubber Front.....	16
Hitch 3-Point 945302-.....	18
Hitch 3-Point 945303+.....	20
Section 3: Blade Drive.....	22
Blade Carrier.....	22
Blade Drive.....	24
Driveline w/ 2 Plate Slip Clutch (826-510C).....	26
Driveline w/ 4 Plate Slip Clutch (826-510C).....	28
Gearbox (826-376C).....	30
Section 4: Options & Accessories.....	32
Skid Shoe Kit.....	32
Section 5: Decals.....	34
Decal Placement.....	34
Touch-up Paints - LP.....	36
Part Number Index.....	38

© Copyright 2020. All rights reserved.

Land Pride provides this publication “as is” without warranty of any kind, either expressed or implied. While every precaution has been taken in the preparation of this manual, Land Pride assumes no responsibility for errors or omissions. Neither is any liability assumed for damages resulting from the use of the information contained herein. Land Pride reserves the right to revise and improve its products as it sees fit. This publication describes the state of this product at the time of its publication, and may not reflect the product in the future. The illustrations in this manual are not intended for safe and proper assembly or disassembly of equipment. The illustrations are intended for ordering parts only.

Land Pride is registered trademark.

All other brands and product names are trademarks or registered trademarks of their respective holders.

Printed in the United States of America.



Alphabetized Table of Contents

B

Blade Carrier.....	22
Blade Drive.....	24

D

Decal Placement.....	34
Deck Components.....	6
Driveline w/ 2 Plate Slip Clutch (826-510C).....	26
Driveline w/ 4 Plate Slip Clutch (826-510C).....	28

G

Gauge Wheel Mount Dual.....	8
Gauge Wheel Mount Single.....	10
Gearbox (826-376C).....	30
Guard Chain Single Front.....	12
Guard Chain Single Rear S/N 1151354-.....	14
Guard Rubber Front.....	16

H

Hitch 3-Point 945302-.....	18
Hitch 3-Point 945303+.....	20

S

Skid Shoe Kit.....	32
--------------------	----

T

Touch-up Paints - LP.....	36
---------------------------	----

General Information

Using This Manual

This manual is divided into sections. The first section contains General Information. The remaining sections divide the machine into segments (i.e. Frames, Drives, Hydraulics, etc.) which illustrate and list all parts. A Parts Number Index is located at the back of the book.

The Land Pride parts in this manual are specially designed for this machine and should be replaced with Land Pride parts only.

The information in this manual is current at time of printing. Some parts may change to assure top performance.

Right-hand and left-hand as used in this manual are determined by facing the direction the machine will travel while in use.

Below is an example of two facing pages from a parts manual. Familiarize yourself with the type of information contained on these pages.

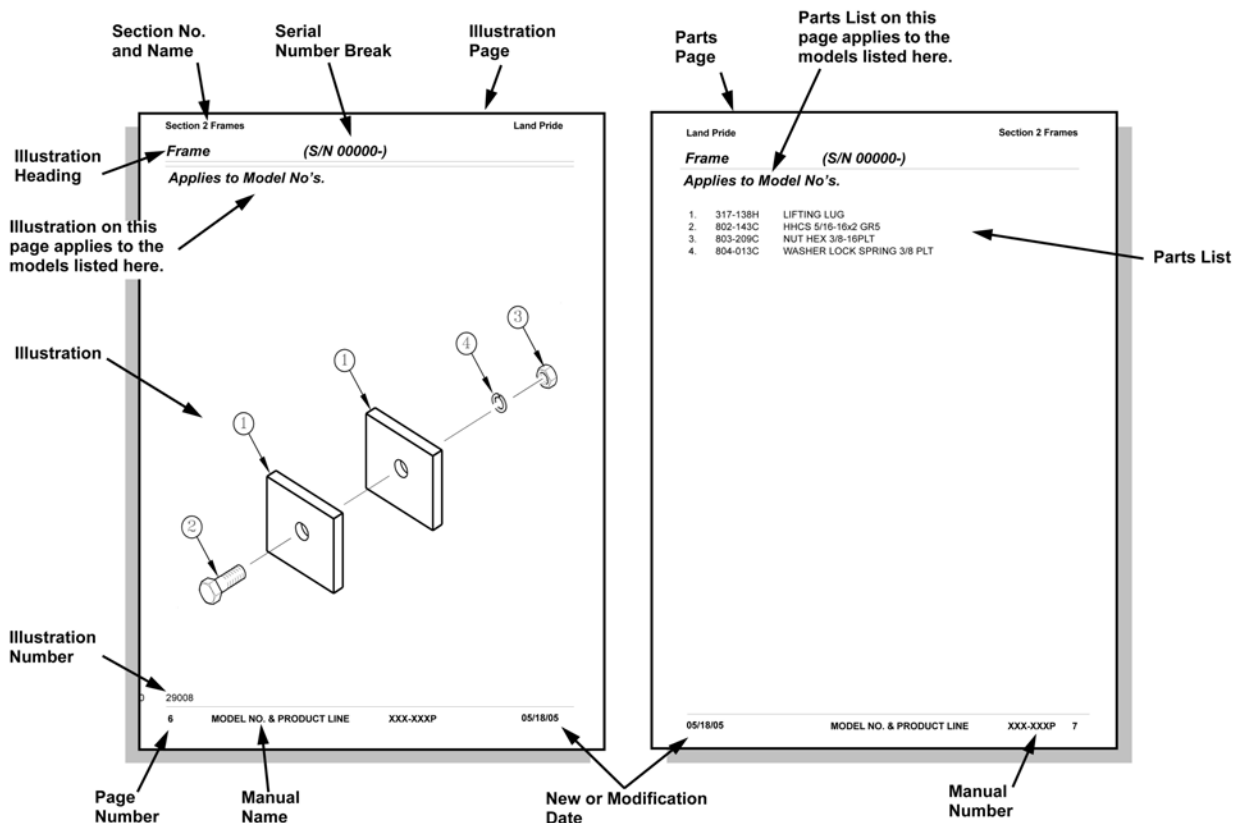
Manual Replacement Information

Replacement manuals are available. Refer to our website at www.landpride.com or e-mail us at lit@landpride.com for additional information. Our website continues to provide the most up-to-date manuals available.

Touch-up Paint

Repaint parts where paint is worn or scratched to prevent rust. Aerosol cans and touch-up bottles with brush applicator are available through your local dealer. Also available are quart and gallon size paints. Add QT or GL to end of the Aerosol P/N.

Land Pride color descriptions and part numbers are listed on the "Land Pride Touch-up Paints" page in the "Decals" section of this book. Color options vary by product.



General Information

Hardware Legend

AR	As Required
BLADE	Blade Bolt
C	Cap Screw
CP	Cotter Pin
CPHSSS	Cup Point Hex Socket Set Screw
CPSHSS	Cup Point Square Head Set Screw
CPSQHSS	Cup Point Square Head Set Screw
CRFCHMS3	Cross Recess Flat Countersunk Head Machine Screw
CRPHMS	Cross Recess Pan Head Machine Screw
CRPHTF	Cross Recess Pan Head Thread Forming
CRRHMS	Cross Recess Round Head Machine Screw
CRTHMS	Cross Recess Truss Head Machine Screw
CSNB	Countersunk Square Neck Bolt
FHMS	Flat Head Machine Screw
FTC	Full Thread Cap Screw
H	Hex Nut
HCLN	Hex Center Lock Nut
HFLCS	Hex Flange Lock Cap Screw
HFS	Hex Flange Screw
HFSLN	Hex Flange Serrated Lock Nut
HFSS	Hex Flange Serrated Screw
HHCS	Hex Head Cap Screw or Metric Bolt
HSBHCS	Hex Socket Button Head Cap Screw
HSFCHCS	Hex Socket Flat Countersunk Head Cap Screw
HSHCS	Hex Socket Head Cap Screw
HSSS	Hex Socket Head Screw
HTLN	Hex Top Lock Nut
HWHCS	Hex Washer Head Cap Screw

HWHMS	Hex Washer Head Machine Screw
HXBHCS	Hex Socket Button Head Cap Screw
J	Hex Jam Nut
JIC	37 Degree Tapered Thread
L	Helical Spring Lock Washer
LUG	Lug Bolt
NFC	National Fine Cap Screw
NPSM	National Pipe Straight Mechanical
NPTF	National Pipe Taper Fuel
P	Wide Plain Washer
PHMS	Pan Head Machine Screw
PLOW	Plow Bolt
RHMS	Round Head Machine Screw
RHSNB	Round Head Square Neck Bolt
SCREW LEVELING	Leveling Screw
SCREW THUMB	Thumb Screw
SCREW WELD	Weld Screw
SFCHMS	Slotted Flat Countersunk Head Machine Screw
SFHMS	Slotted Fillister Head Machine Screw
SP	Special
SP SCREW	Special Screw
SQHSS	Square Head Set Screw
SRHMS	Slotted Round Head Machine Screw
SSS	Socket Set Screw
STCS	Self Tapping Cap Screw
STHMS	Slotted Truss Head Machine Screw
WHEEL	Wheel Studs and Hub Long Bolts
WING	Wing Bolt

Replacement Hardware

The **Hardware Legend** above lists hardware abbreviations used in the parts list. All bolts and nuts are Grade 5 unless otherwise noted. The use of improper grades of hardware can result in personal injury, damage to equipment, or loss of property.

Colored Replacement Parts

Land Pride offers replacement parts in factory standard colors and also on select models in Green, Orange, Red and Blue. Because of the variety of colors available, special attention must be given to the part number to prevent ordering the wrong replacement part.

A suffix number corresponding to one of the colors below must be added at the end of Land Pride's part number when ordering a replacement part with that color.

81 Green 83 Red
82 Orange 84 Blue

For example, if you are ordering a replacement part with part number 555-555C and the part you need is red, then add the suffix 83 to the end of the number to make the part number read 555-555C83. Parts ordered without a suffix number will be supplied in factory standard colors.

Black Replacement Parts

Some parts are factory standard black and some must be special ordered black. If your part is special ordered black, a second part number with the additional suffix number 85 on the end will be available. In this situation you must order that part with the suffix number for it to be black. Parts that are factory standard black will not have the suffix number.

Part Number Service Coding

Within the parts list some part numbers are coded for revisions and interchangeability. See notations in revision column.

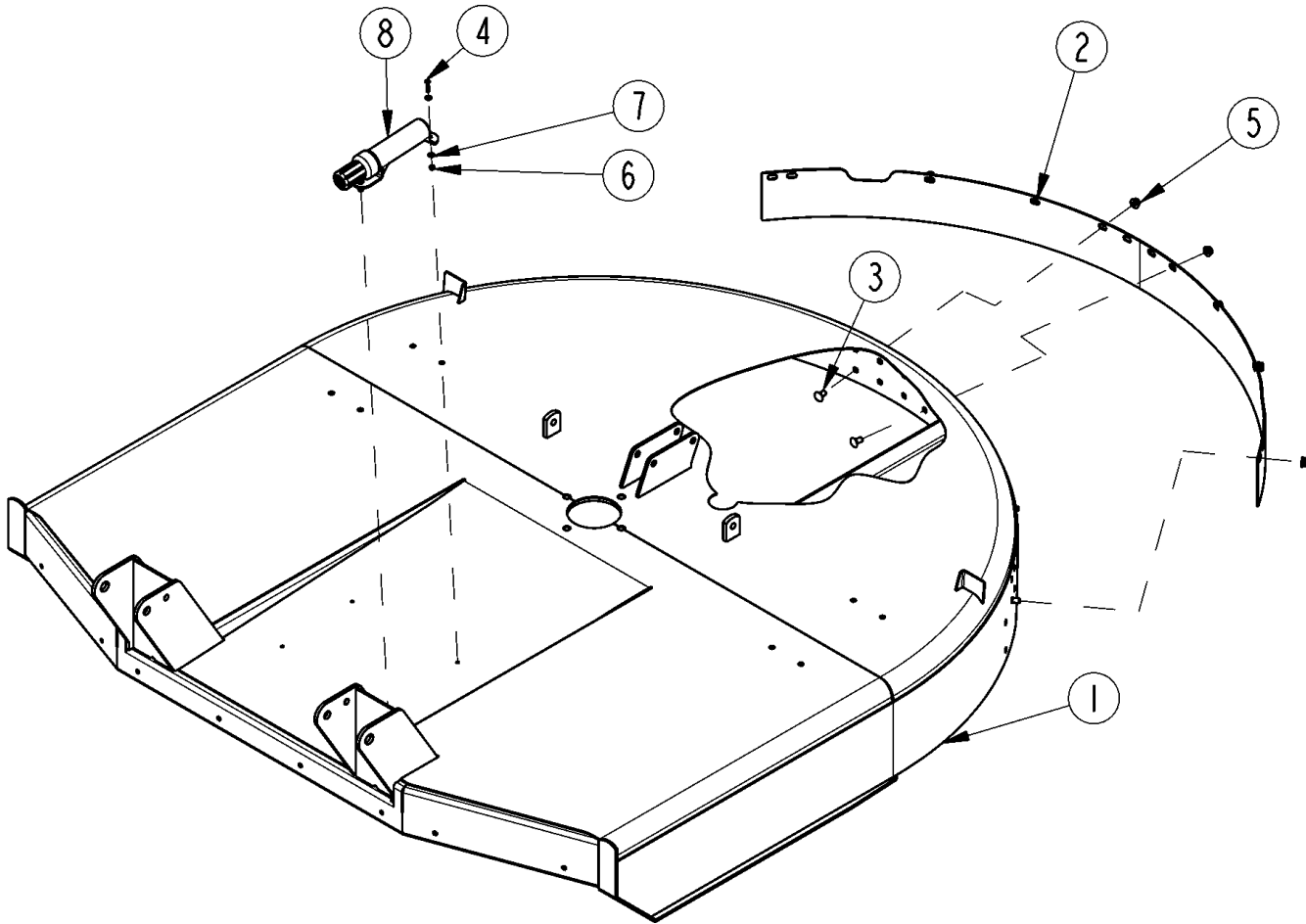
Serial Numbers

Always use the serial and model number when ordering parts. Refer to the Operator's Manual for serial number plate location.

- (S/N 20001+) Includes serial numbers 20001 and above (to the latest number)
- (S/N 10001 to 20000) Includes serial numbers between and including 10001 and 20000
- (S/N 10000-) Includes serial numbers 10000 and below (to the earliest number)

Deck Components

Applies to RCF2084



30858

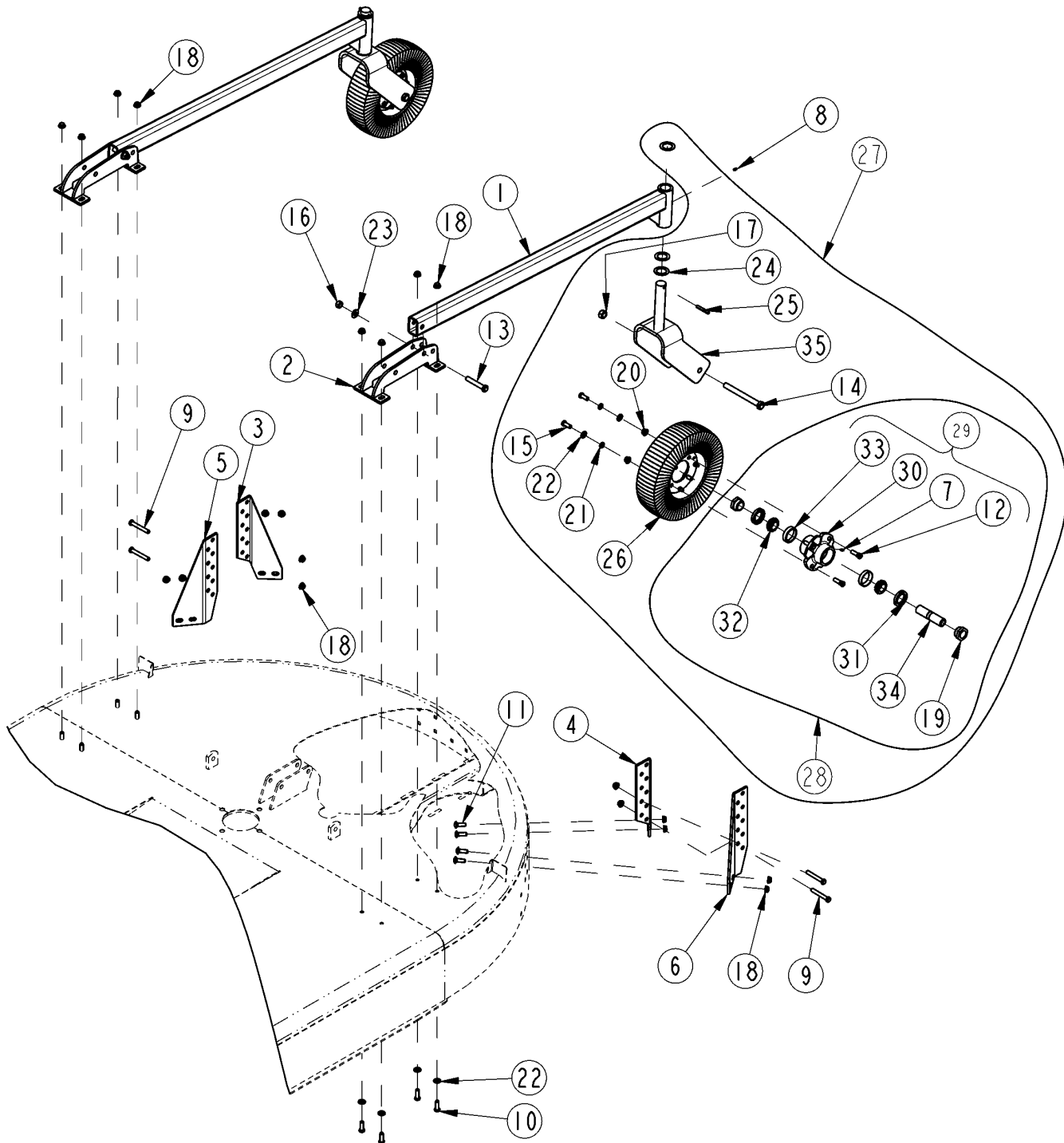
Deck Components

Applies to RCF2084

Ref	Part No.	Part Description	Comments	Revision
	dwg30858	Drawing Image Number		
1.	326-169H	RCF2084 DECK WELDMENT		
1.	326-169H81	RCF2084 DECK WELDMENT GREEN		
1.	326-169H82	RCF2084 DECK WELDMENT ORANGE		
1.	326-169H83	RCF2084 DECK WELDMENT RED		
2.	326-327D	REAR BAND DEFLECTOR		
3.	802-183C	RHSNB 1/2-13X1 GR5		
4.	802-224C	HHCS 1/4-20X1 1/4 GR5		
5.	803-037C	NUT HEX WHIZ 1/2-13 PLT		
6.	803-255C	NUT HEX NYLOCK 1/4-20		
7.	804-007C	WASHER FLAT 1/4 SAE PLT		
8.	816-504C	MANUAL STORAGE CONTAINER		

Gauge Wheel Mount Dual

Applies to RCF2084



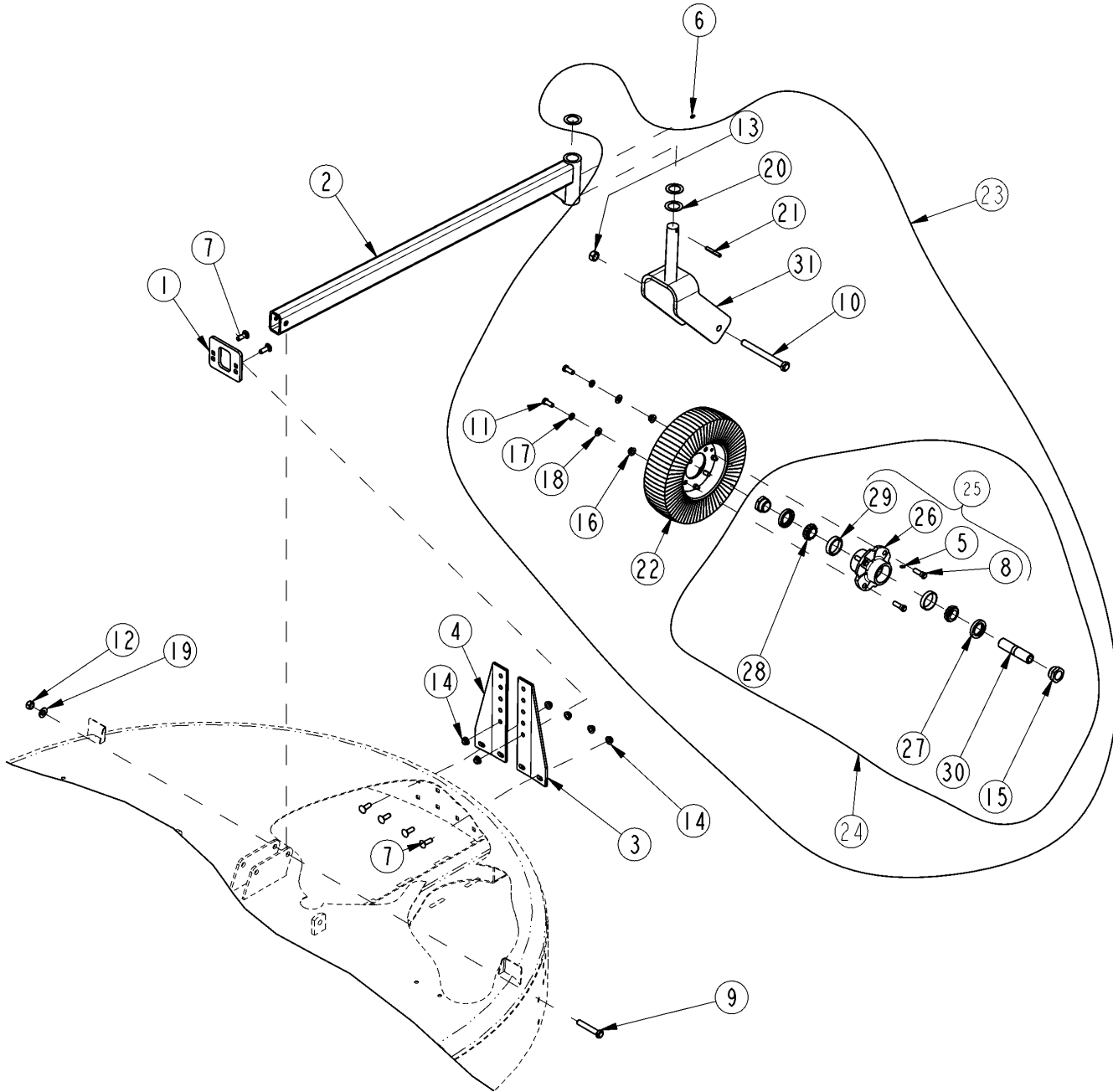
30894

Gauge Wheel Mount Dual**Applies to RCF2084**

Ref	Part No.	Part Description	Comments	Revision
	dwg30894	Drawing Image Number		
1.	312-879H	WELDMENT TAILWHEEL BEAM		
2.	326-035H	DUAL TAILWHEEL BRKT. WELDMENT		
3.	326-294D	ADJ. BRACKET INNER R.H.		
4.	326-295D	ADJ. BRACKET INNER L.H.		
5.	326-296D	ADJ. BRACKET OUTER R.H.		
6.	326-297D	ADJ. BRACKET OUTER L.H.		
7.	800-001C	GREASE ZERK STRAIGHT 1/4-28		
8.	800-080C	GREASE ZERK 1/4-28 THD FORMING		
9.	802-041C	HHCS 1/2-13X3 1/2 GR5		
10.	802-091C	HHCS 1/2-13X1 1/2 GR5		
11.	802-106C	RHSNB 1/2-13X1 1/2 GR5		
12.	802-135C	HUB STUD 1/2-20X1 5/8 GR5		
13.	802-153C	HHCS 5/8-11X3 3/4 GR5		
14.	802-280C	HHCS 3/4-10X7 1/2 GR5		
15.	802-326C	HHCS 1/2-20X1 1/4 GR5		
16.	803-024C	NUT LOCK 5/8-11 PLT		
17.	803-026C	NUT LOCK 3/4-10 PLT		
18.	803-169C	NUT HEX FLG LOCK 1/2-13 PLT		
19.	803-289C	NUT HEX 1 1/4-7(MACHINED)PLAIN		
20.	803-308C	NUT HEX FLG/LK 1/2-20 PLT GR G		
21.	804-015C	WASHER LOCK SPRING 1/2 PLT		
22.	804-016C	WASHER FLAT 1/2 SAE PLT		
23.	804-021C	WASHER FLAT 5/8 SAE PLT		
24.	804-066C	WASHER MACH 2.25 X 1.50 X 14GA		
25.	805-255C	PIN ROLL 3/8 X 2 1/2 PLT		
26.	814-058C	TIRE & WHEEL LAMINATED 4.0 X 8		
27.	814-161C	LAM 4X8 TR-WL-HUB-YOKE 25 SER.		
28.	815-092C	HUB & SPINDLE ASSY 4 BOLT		
29.	815-230C	HUB 4 BLT W/CUPS, ZERK & STUDS		
30.	N/A	HUB 4BLT DUCTILE(USE 815-230C)		
31.	816-286C	OIL SEAL DBL LIP 2.441 BORE		
32.	822-091C	BRG 1.25ID CONE 15123		
33.	822-092C	BRG CUP 2.44OD 15245		
34.	827-036C	BUSHING TW 1.25ODX.78IDX5 1/4		
35.	890-961C	RC25 TAILWHEEL YOKE		

Gauge Wheel Mount Single

Applies to RCF2084



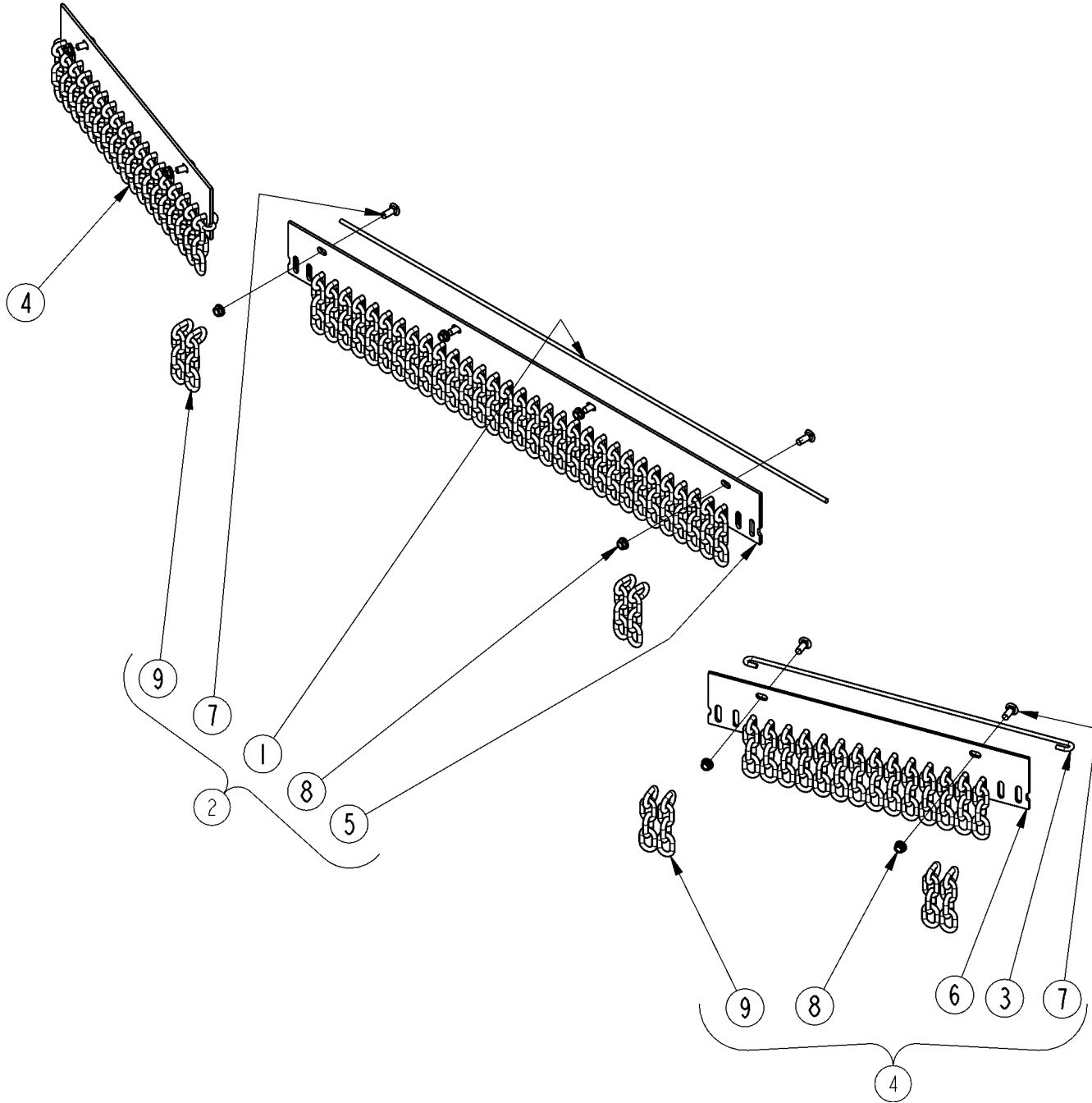
30893

Gauge Wheel Mount Single**Applies to RCF2084**

Ref	Part No.	Part Description	Comments	Revision
	dwg30893	Drawing Image Number		
1.	312-616D	TAILWHEEL ARM ADJUST PLATE		
2.	312-879H	WELDMENT TAILWHEEL BEAM		
3.	326-365D	TAILWHEEL VERT. SUPPORT LH		
4.	326-366D	TAILWHEEL VERT. SUPPORT RH		
5.	800-001C	GREASE ZERK STRAIGHT 1/4-28		
6.	800-080C	GREASE ZERK 1/4-28 THD FORMING		
7.	802-106C	RHSNB 1/2-13X1 1/2 GR5		
8.	802-135C	HUB STUD 1/2-20X1 5/8 GR5		
9.	802-153C	HHCS 5/8-11X3 3/4 GR5		
10.	802-280C	HHCS 3/4-10X7 1/2 GR5		
11.	802-326C	HHCS 1/2-20X1 1/4 GR5	Optional	
12.	803-024C	NUT LOCK 5/8-11 PLT		
13.	803-026C	NUT LOCK 3/4-10 PLT		
14.	803-169C	NUT HEX FLG LOCK 1/2-13 PLT		
15.	803-289C	NUT HEX 1 1/4-7(MACHINED)PLAIN		
16.	803-308C	NUT HEX FLG/LK 1/2-20 PLT GR G		
17.	804-015C	WASHER LOCK SPRING 1/2 PLT	Optional	
18.	804-016C	WASHER FLAT 1/2 SAE PLT	Optional	
19.	804-021C	WASHER FLAT 5/8 SAE PLT		
20.	804-066C	WASHER MACH 2.25 X 1.50 X 14GA		
21.	805-255C	PIN ROLL 3/8 X 2 1/2 PLT		
22.	814-058C	TIRE & WHEEL LAMINATED 4.0 X 8		
23.	814-161C	LAM 4X8 TR-WL-HUB-YOKE 25 SER.		
24.	815-092C	HUB & SPINDLE ASSY 4 BOLT		
25.	815-230C	HUB 4 BLT W/CUPS, ZERK & STUDS		
26.	N/A	HUB 4BLT DUCTILE(USE 815-230C)		
27.	816-286C	OIL SEAL DBL LIP 2.441 BORE		
28.	822-091C	BRG 1.25ID CONE 15123		
29.	822-092C	BRG CUP 2.44OD 15245		
30.	827-036C	BUSHING TW 1.25ODX.78IDX5 1/4		
31.	890-961C	RC25 TAILWHEEL YOKE		

Guard Chain Single Front

Applies to RCF2084



24764

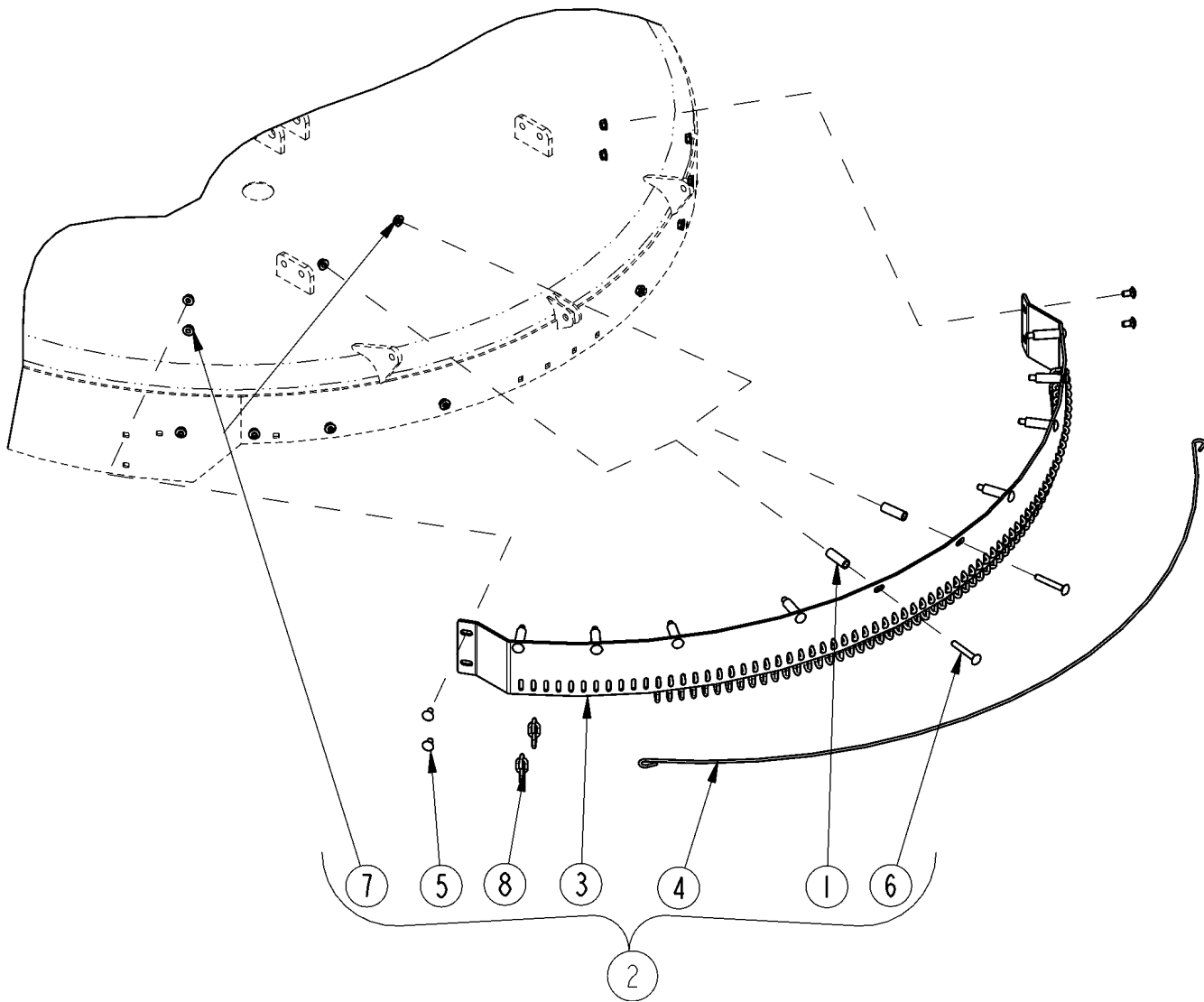
Guard Chain Single Front

Applies to RCF2084

Ref	Part No.	Part Description	Comments	Revision
	dwg24764	Drawing Image Number		
	312-869A	FRONT CHAIN GUARD ASSEMBLY *		
1.	312-737D	ROD 1/4 X 43 PLTD.		
2.	312-870K	FRONT CHAIN GUARD ASSY		
3.	318-337D	ROUND ROD 1/4 X 25		
4.	326-034K	SIDE CHAIN GUARD ASSY		
5.	326-323D	FRONT CHAIN GUARD		
6.	326-362D	SIDE CHAIN GUARD		
7.	802-015C	RHSNB 3/8-16X1 GR5		
8.	803-198C	NUT HEX WHIZ 3/8-16 PLT		
9.	890-400C	CHAIN WELD 5/16 PROOF X 4 LINK		

Guard Chain Single Rear S/N 1151354-

Applies to RCF2084



30702

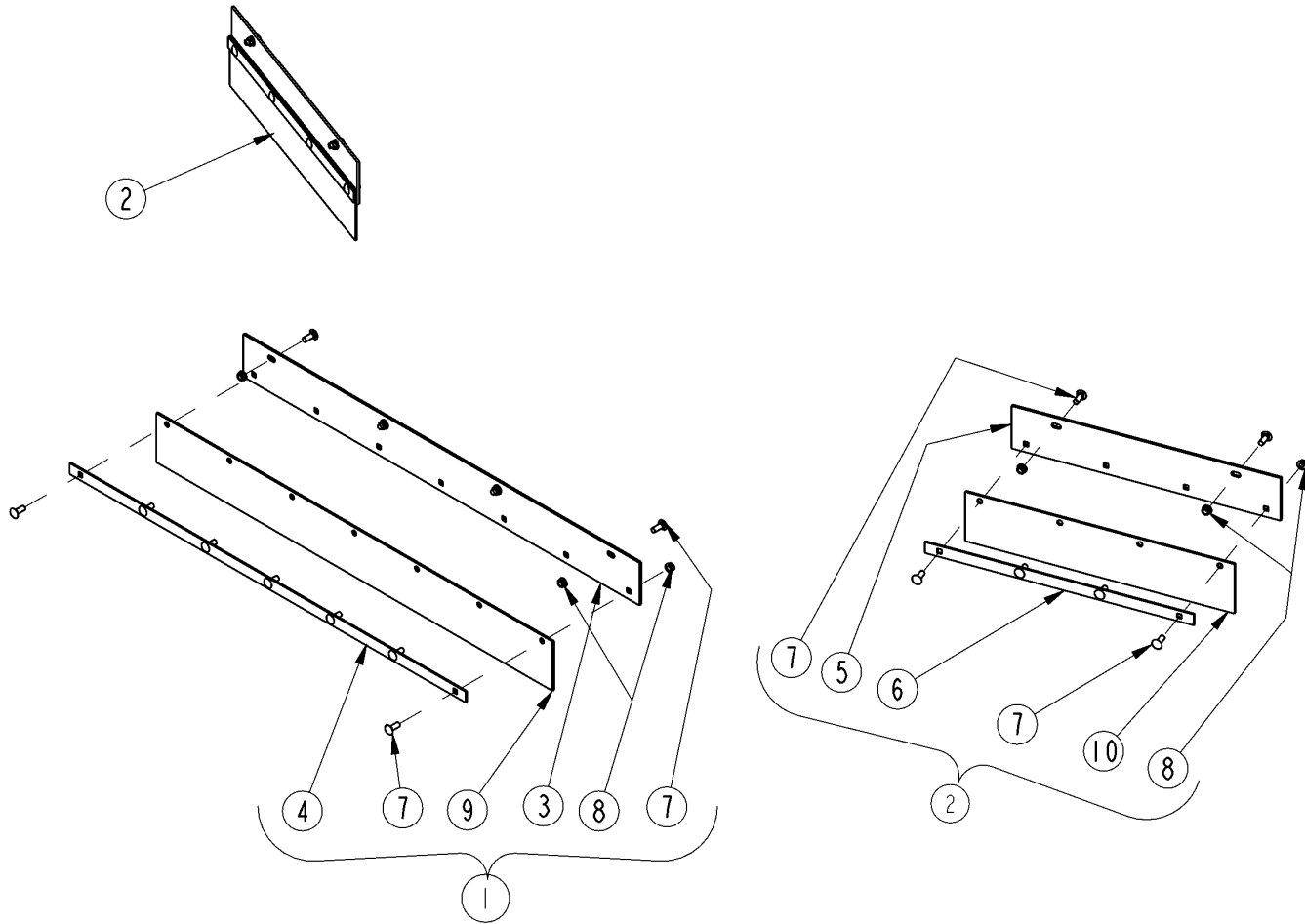
Guard Chain Single Rear S/N 1151354-

Applies to RCF2084

Ref	Part No.	Part Description	Comments	Revision
	dwg30702	Drawing Image Number		
1.	312-948D	DEFLECTOR SPACER		
2.	326-219A	REAR CHAIN GUARD ASY RCF84		
3.	326-549D	CHAIN GUARD BRACKET REAR 84		
4.	326-570D	CHAIN ROD 1/4 X 89.92		
5.	802-183C	RHSNB 1/2-13X1 GR5		
6.	802-941C	RHSNB 1/2-13X3 3/4 GR5 PLT	S/N 722604+	
6.	802-585C	RHSNB 1/2-13X3 1/2 GR5 PLT	S/N 722603-	
7.	803-037C	NUT HEX WHIZ 1/2-13 PLT		
8.	890-485C	CHAIN WELD 5/16 PROOF X 3 LINK		

Guard Rubber Front

Applies to RCF2084



24765

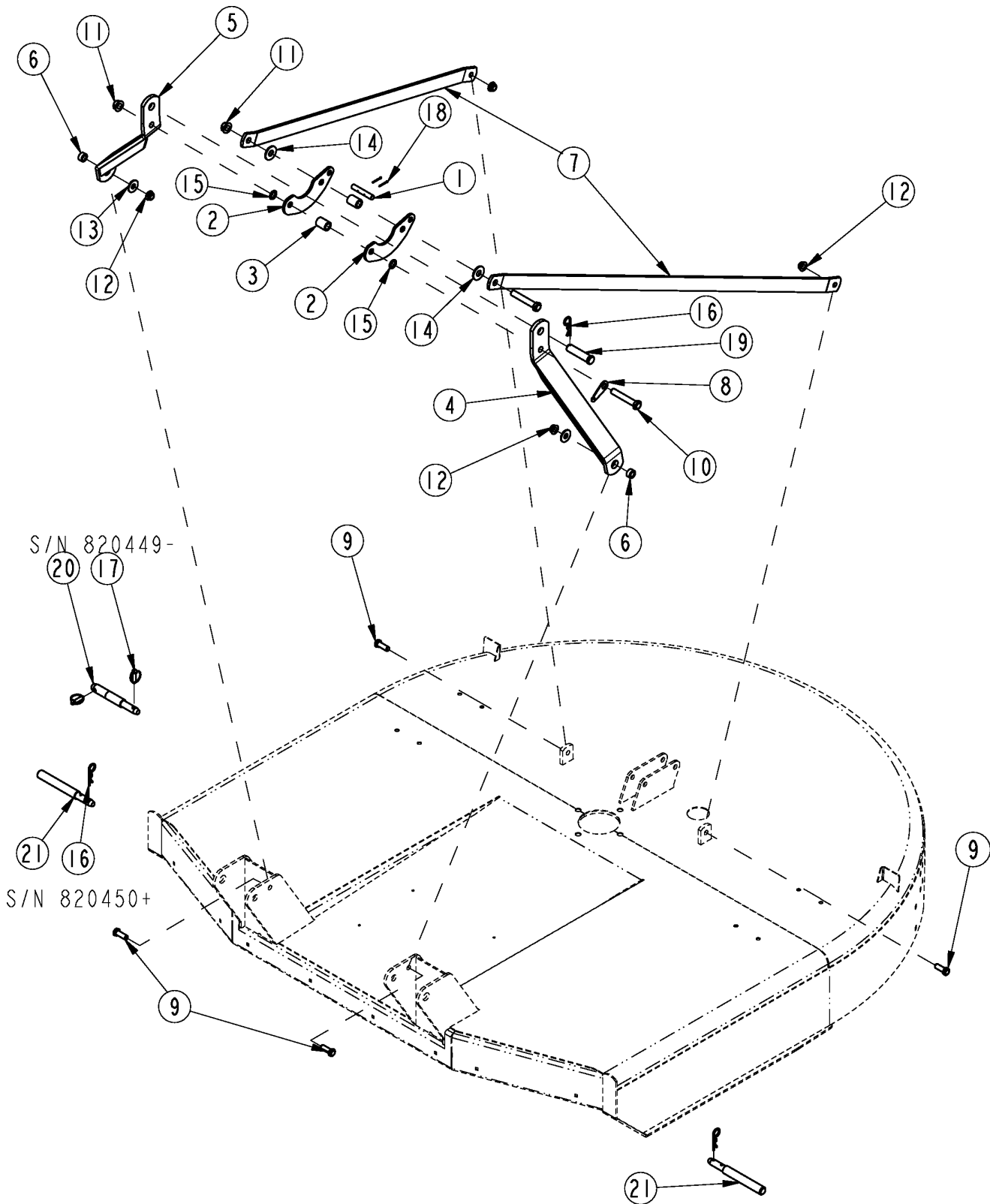
Guard Rubber Front

Applies to RCF2084

Ref	Part No.	Part Description	Comments	Revision
	dwg24765	Drawing Image Number		
	312-866A	1884 FRONT RUBBER COMPLETE *		
1.	312-867K	FRONT RUBBER DEFLECTOR ASSY		
2.	326-033K	SIDE RUBBER DEFLECTOR ASSY		
3.	326-321D	FRONT DEFLECTOR BRACKET		
4.	326-322D	DEFLECTOR SUPPORT FLAT		
5.	326-360D	SIDE DEFLECTOR BRACKET		
6.	326-361D	SIDE DEFLECTOR SUPPORT FLAT		
7.	802-015C	RHSNB 3/8-16X1 GR5		
8.	803-198C	NUT HEX WHIZ 3/8-16 PLT		
9.	816-526C	RUBBER DEFLECTOR		
10.	816-538C	SIDE RUBBER DEFLECTOR		

Hitch 3-Point 945302-

Applies to RCF2084



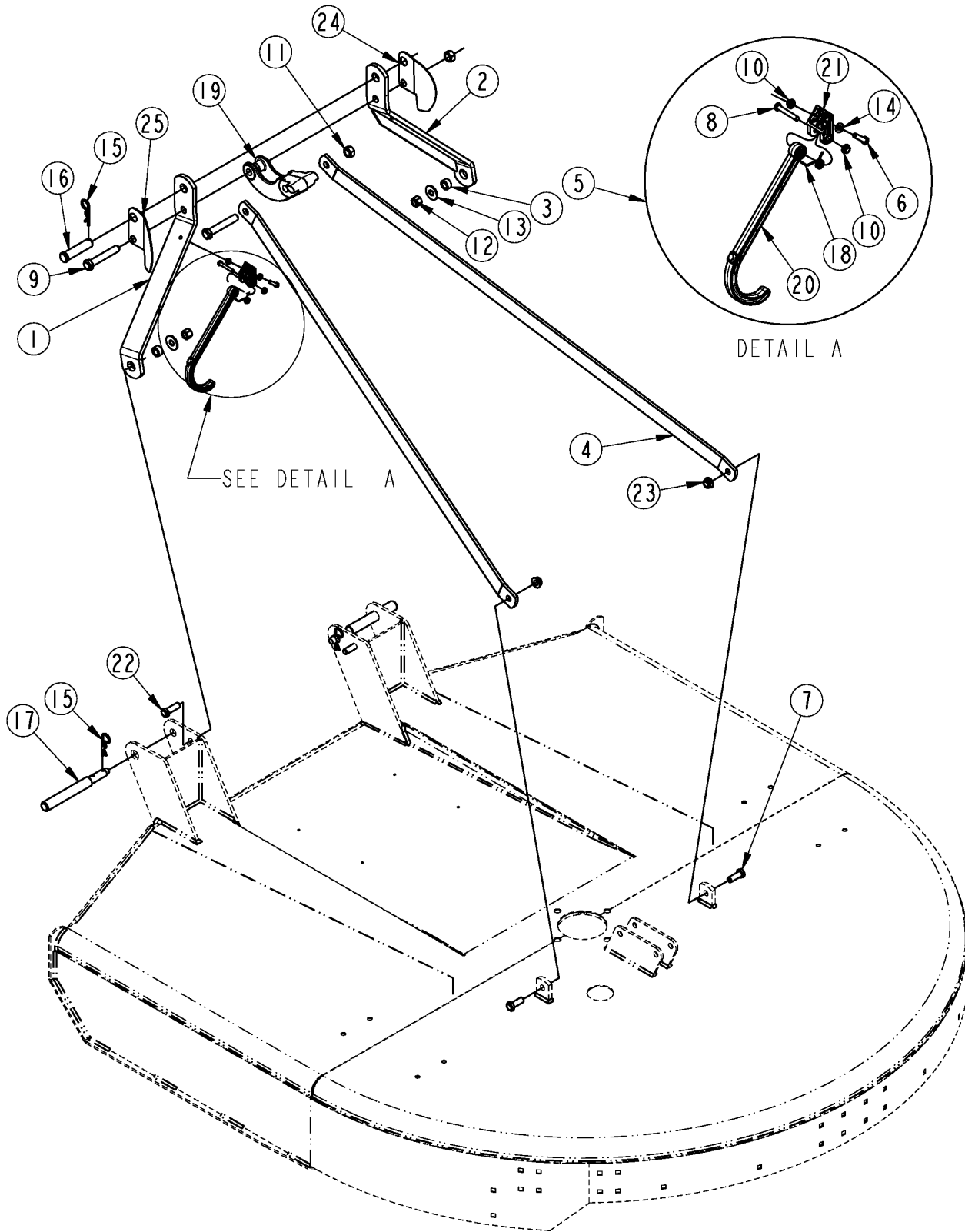
30863

Hitch 3-Point 945302-**Applies to RCF2084**

Ref	Part No.	Part Description	Comments	Revision
	dwg30863	Drawing Image Number		
1.	326-188D	PIN, STOP		
2.	326-320D	REAR BRACE HINGE		
3.	326-329D	SPACER 1 1/4ODX13/16IDX1 5/8		
4.	326-389H	LH UPPER HITCH STRAP WLDMT		
5.	326-390H	RH UPPER HITCH STRAP WLDMT		
6.	326-546D	BSH 1.12ODX.69IDX.55L		
7.	326-574D	REAR BRACE 84		
8.	326-822D	DRIVELINE CHAIN CLIP		
9.	802-053C	HHCS 5/8-11X1 3/4 GR5		
10.	802-192C	HHCS 3/4-10X4 1/2 GR5		
11.	803-181C	NUT HEX FLANGE LOCK 3/4-10 PLT		
12.	803-263C	NUT HEX FLANGE LOCK 5/8-11 PLT		
13.	804-019C	WASHER FLAT 5/8 USS PLT		
14.	804-024C	WASHER FLAT 3/4 USS PLT		
15.	804-156C	WASHER MACH 1 1/4X3/4X14GA		
16.	805-088C	PIN, HAIR COTTER 3/16 WIRE DIA		
17.	805-103C	PIN LINCH 7/16 X 1 3/4	S/N 820449-	
18.	805-109C	PIN COTTER 1/8 X 1 1/4 PLT		
19.	805-124C	PIN CLEVIS 1 X 3 11/16 GR5 PLT		
20.	805-227C	PIN HITCH CATEGORY I-II	S/N 820449-	
21.	805-485C	PIN HTCH C1-C2 10.18 L	S/N 820450+	

Hitch 3-Point 945303+

Applies to RCF2084



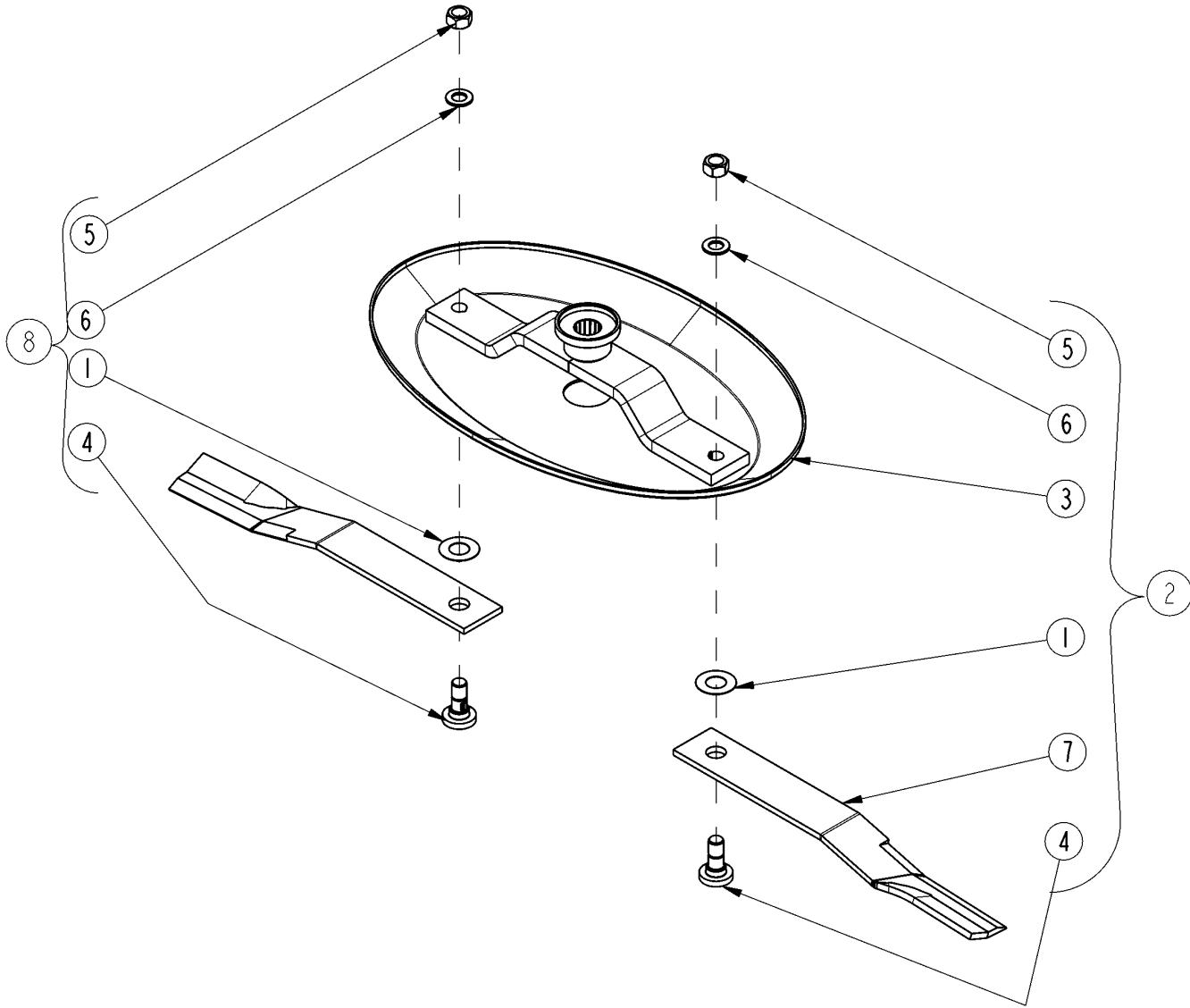
37991

Hitch 3-Point 945303+**Applies to RCF2084**

Ref	Part No.	Part Description	Comments	Revision
	Dwg 37991	Drawing Image Number		
1.	326-389H	LH UPPER HITCH STRAP WLDMT		
2.	326-390H	RH UPPER HITCH STRAP WLDMT		
3.	326-546D	BSH 1.12ODX.69IDX.55L		
4.	326-574D	REAR BRACE 84		
5.	327-143S	DRIVELINE HOLDER W/HARDWARE		
6.	802-010C	HHCS 5/16-18X1 1/4 GR5		
7.	802-053C	HHCS 5/8-11X1 3/4 GR5		
8.	802-138C	HHCS 5/16-18X2 1/4 GR5		
9.	802-192C	HHCS 3/4-10X4 1/2 GR5		
10.	803-177C	NUT HEX FLG TP LK 5/16-18ZNYCR		
11.	803-077C	RPBY 803-026C	Obsolete (S/N 979509+)	
11.	803-181C	NUT HEX FLANGE LOCK 3/4-10 PLT	S/N 979508-	
12.	803-263C	NUT HEX FLANGE LOCK 5/8-11 PLT		
13.	804-019C	WASHER FLAT 5/8 USS PLT		
14.	804-036C	WASHER FLAT 5/16 SAE PLT		
15.	805-088C	PIN, HAIR COTTER 3/16 WIRE DIA		
16.	805-124C	PIN CLVS 1.0X3.69 USBL GR5		
17.	805-485C	PIN HTCH C1-C2 10.18 L		
18.	807-350C	SPRING TORSION DRVLN HLDER		
19.	812-500C	FLOAT TOP HITCH CAST DUCTILE		
20.	837-062C	DRIVELINE HOOK		
21.	837-063C	MOUNT DRIVELINE HOOK		
22.	802-055C	HHCS 5/8-11X2 GR5		
23.	803-263C	NUT HEX FLANGE LOCK 5/8-11 PLT		
24.	327-781D	SHIELD UPPER RH W/1" HOLE	S/N 1315597+ Include decal 858-148C see decal placement	
25.	327-782D	SHIELD UPPER LH W/1" HOLE	S/N 1315597+ Include decal 858-148C see decal placement	

Blade Carrier

Applies to RCF2084



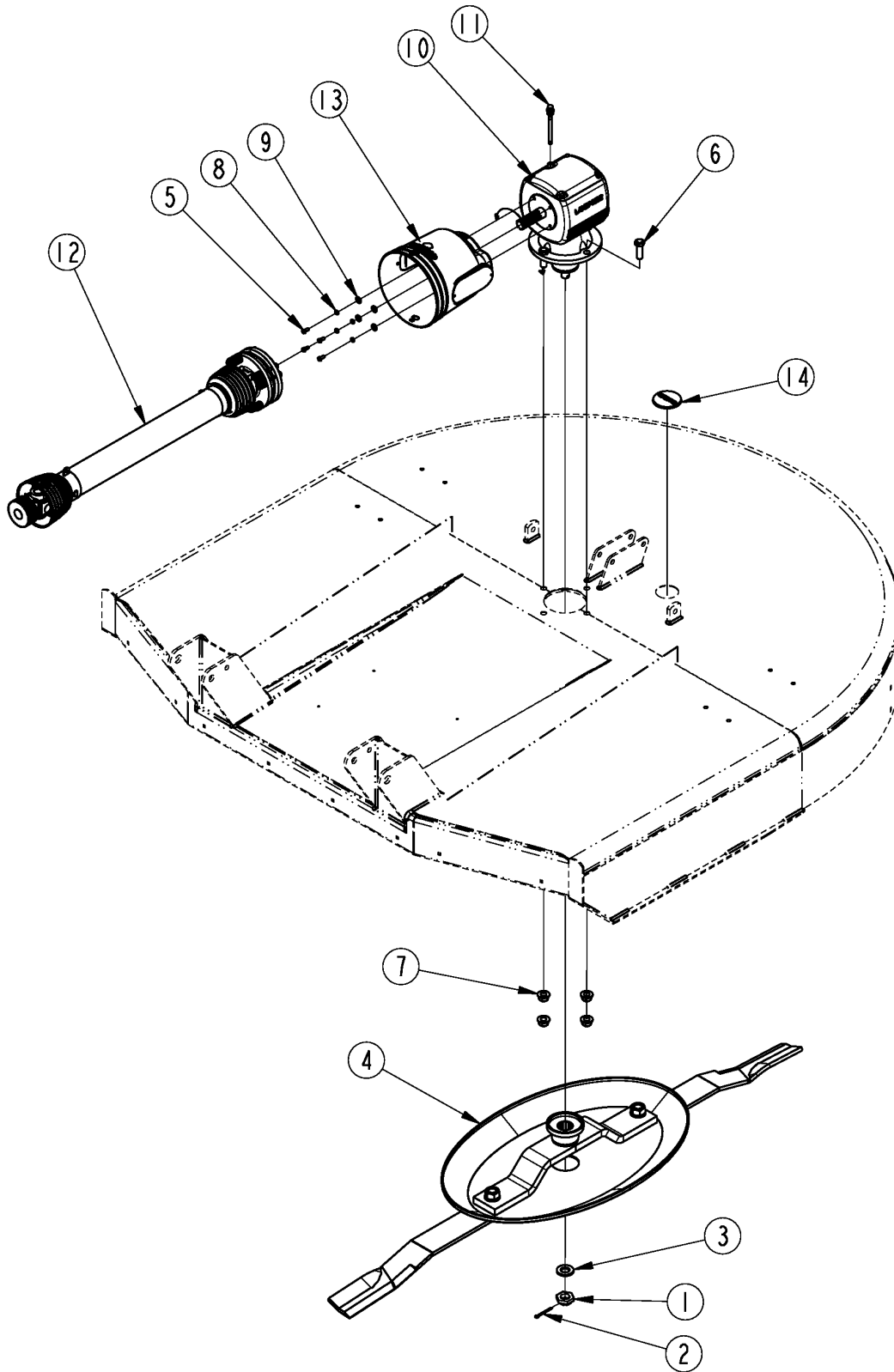
30864

Blade Carrier**Applies to RCF2084**

Ref	Part No.	Part Description	Comments	Revision
	Dwg 30864	Drawing Image Number		
1.	312-082D	RPBY 312-808D QTY 2	As Required S/N 776426-	
1.	312-075D	BLADE SPACER 16 GA. .064 Thick	As Required S/N 776426-	
1.	312-089D	BLADE SPACER 20 GA. .04 Thick	As Required S/N 776426-	
1.	312-808D	BLADE SPACER 24 GA. .03 Thick		
2.	N/A	RCR1884 BLADE CARRIER ASSY		
3.	312-388H	27 OVAL DISHPAN WELDMNT(OMNI)		
4.	802-277C	BLD BLT 1 1/8-12X3.44 W/.25KEY		
5.	803-170C	NUT HEX TOP LOCK 1 1/8-12 PLT.		
6.	804-147C	WASHER FLAT 1" HARDENED		
7.	820-138C	CUTTER BLADE 1/2 X 4 X 31 CCW		
8.	318-586A	BLADE BOLT KIT	Item 1 not included	

Blade Drive

Applies to RCF2084



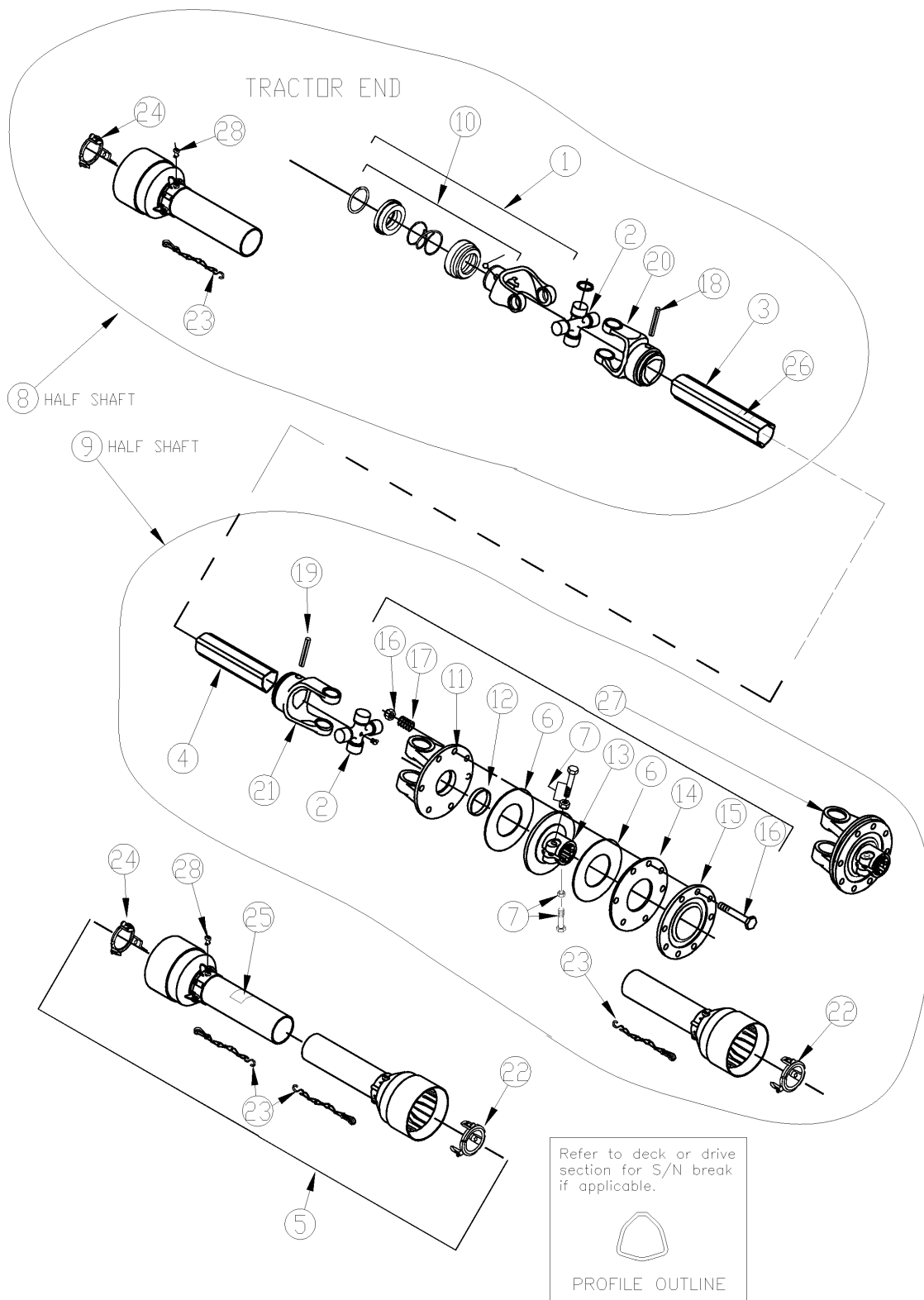
30865

Blade Drive**Applies to RCF2084**

Ref	Part No.	Part Description	Comments	Revision
	Dwg 30865	Drawing Image Number		
1.	8.2.2.00555	CO NUT, CASTLE M30 X 2		
2.	8.4.7.00146	CO COTTER PIN B6 X 60		
3.	0.139.7101.00	CO BLANK WASHER		
4.		SEE BLADE CARRIER FOR COMPONENTS		
5.	802-007C	HHCS 5/16-18X3/4 GR5		
6.	802-065C	HHCS 3/4-10X2 1/4 GR5		
7.	803-299C	NUT HEX FLG TOP LK 3/4-10 PLT		
8.	804-009C	WASHER LOCK SPRING 5/16 PLT		
9.	804-010C	WASHER FLAT 5/16 USS PLT		
10.	826-376C	GBOX RC25 1.38-6 1:1.44 STD.		
11.	826-490C	COMER U0.210.7100.00 DIPSTICK		
12.	826-510C	PTO CAT. 4 X 48.42 SLIP CLUTCH		
13.	837-101C	LAND PRIDE CONE		
13.	826-648C	LARGE SHAFT CONE W ACCESS DOOR	This cone has been replaced with 837-101C	
14.	840-273C	PLUG LP 3" ID RUBBER		

Driveline w/ 2 Plate Slip Clutch (826-510C)

Applies to RCF2084



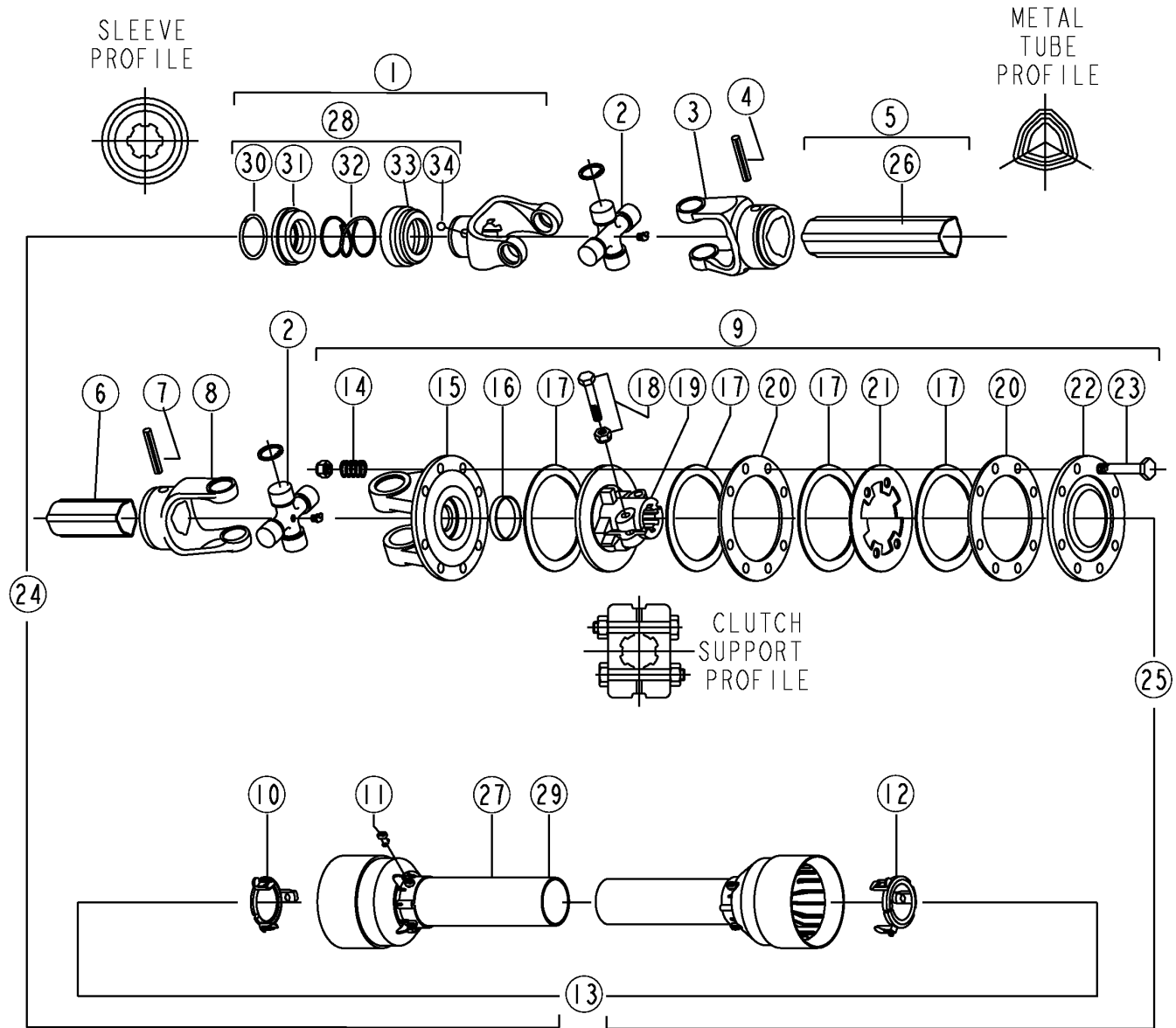
24771

Driveline w/ 2 Plate Slip Clutch (826-510C)**Applies to RCF2084**

Ref	Part No.	Part Description	Comments	Revision
	dwg24771	Drawing Image Number		
	826-510C	PTO CAT. 4 X 48.42 SLIP CLUTCH *		
1.	141.025.363.1	CO COMPLETE COLLAR YOKE C12		
2.	180.015.130	COMER CROSS JOURNAL SET		
3.	152.150.2140710	CO COMPLETE OUTER TUBE		
4.	153.150.114	CO INNER TUBE		
5.	142.250.3707521	CO COMP. GUARD W/INST. MANUAL		
6.	180.019.018	COMER LINING RING		
7.	165.000.502	COMER NUT & BOLT M12X1.25X65		
8.	123.350.175.11	CO HALF FEMALE SHAFT W/GUARD		
9.	8123.450.326.11	CO HALF MALE SHAFT W/GUARD	S/N _____+	
9.	N/A	CO HALF MALE SHAFT W/GUARD	S/N _____-	
10.	165.000.628	COMER COLLOR KIT 1-3/8 YOKE		
11.	151.015.038.1	CO FLANGED YOKE		
12.	180.019.019	COMER BUSH		
13.	146.252.011.1	CO COMPLETE DISC CLUTCH F22		
13.	151.018.018.1	RPBY 146.252.011.1		
14.	180.019.014	COMER INNER PLATE		
15.	180.019.116.1	COMER PRESSURE PLATE		
16.	165.000.549	CO BOLT M10X85 & NUT		
17.	180.019.017	CO SPRING		
18.	190.000.016	COMER ROLL PIN, INNER TUBE		
19.	190.000.394	COMER ROLL PIN FOR INNER TUBE		
20.	151.015.011.1	RPBY 151.015.011		
20.	151.015.011	COMER OUTER YOKE		
21.	151.015.012.1	CO INNER YOKE		
22.	180.015.289	CO GUARD RETAIN. COLLAR I.T.		
23.	044321	DRIVELINE SHIELD SAFETY CHAIN	S/N 928934-	
24.	180.015.288	CO GUARD RETAIN. COLLAR O.T.		
25.	190.000.099	COMER DANGER LABEL GUARD OUTER		
26.	190.000.098	COMER DANGER LABEL OUTER TUBE		
27.	146.252.011.1	CO COMPLETE DISC CLUTCH F22		
28.	8180.014.240	COMER BOLT		

Driveline w/ 4 Plate Slip Clutch (826-510C)

Applies to RCF2084

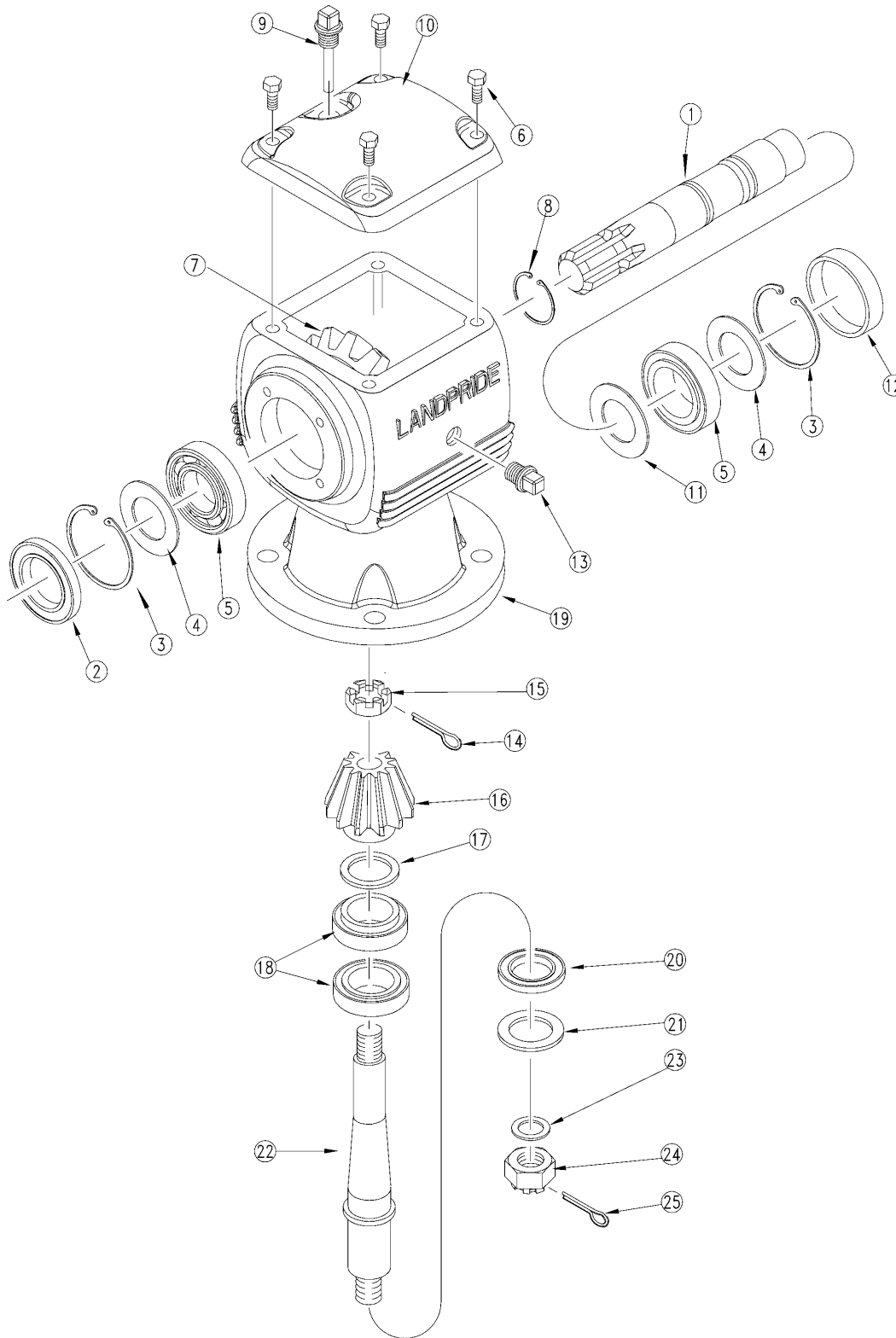


Driveline w/ 4 Plate Slip Clutch (826-510C)**Applies to RCF2084**

Ref	Part No.	Part Description	Comments	Revision
	Dwg 72993 826-510C	Image No. DRVLN C4 48 1.38-6 QD CLTCH *		
1.	141.025.363.1	CO COMPLETE COLLAR YOKE C12		
2.	180.015.130	COMER CROSS JOURNAL SET		
3.	N/A	COMER OUTER YOKE		
4.	N/A	COMER ROLL PIN, INNER TUBE		
5.	N/A	CO COMPLETE OUTER TUBE		
6.	N/A	CO INNER TUBE		
7.	N/A	COMER ROLL PIN FOR INNER TUBE		
8.	N/A	CO INNER YOKE		
9.	146.254.015.11	CO DISC CLUTCH F42 (11350 NM)		
10.	180.015.288	CO GUARD RETAIN. COLLAR O.T.		
11.	180.014.240	COMER BOLT		
12.	180.015.289	CO GUARD RETAIN. COLLAR I.T.		
13.	142.250.3707521	CO COMP. GUARD W/INST. MANUAL		
14.	180.014.022	COMER SPRING		
15.	151.015.038.1	CO FLANGED YOKE		
16.	180.019.019	COMER BUSH		
17.	180.019.340	COMER LINING RING		
18.	165.000.502	COMER NUT & BOLT M12X1.25X65		
19.	151.019.011.1	CO CLUTCH SUPPORT F42		
20.	180.019.014	COMER INNER PLATE		
21.	180.019.115	COMER INTERMEDIATE PLATE		
22.	180.019.116.1	COMER PRESSURE PLATE		
23.	165.000.548	COMER BOLT WITH NUT M10X100		
24.	8123.350.175.11	CO HALF FEMALE SFT W/GUARDING		
25.	8123.450.326.11	CO HALF MALE SHAFT W/GUARD		
26.	190.000.098	COMER DANGER LABEL OUTER TUBE		
27.	190.000.099	COMER DANGER LABEL GUARD OUTER		
28.	165.000.628	COMER COLLAR KIT 1 3/8 YOKE		
29.	190.000.856	CO LABEL W/ CUSTOMER CODE		
30.	190.000.451	COMER OUTER CIRCLIP		
31.	151.016.486	COMER SLIDING SLEEVE COLLER		
32.	180.016.487	COMER SPRING		
33.	180.016.483	COMER FIXED SLEEVE		
34.	190.000.078	COMER BALL 1/2"		

Gearbox (826-376C)

Applies to RCF2084



21186

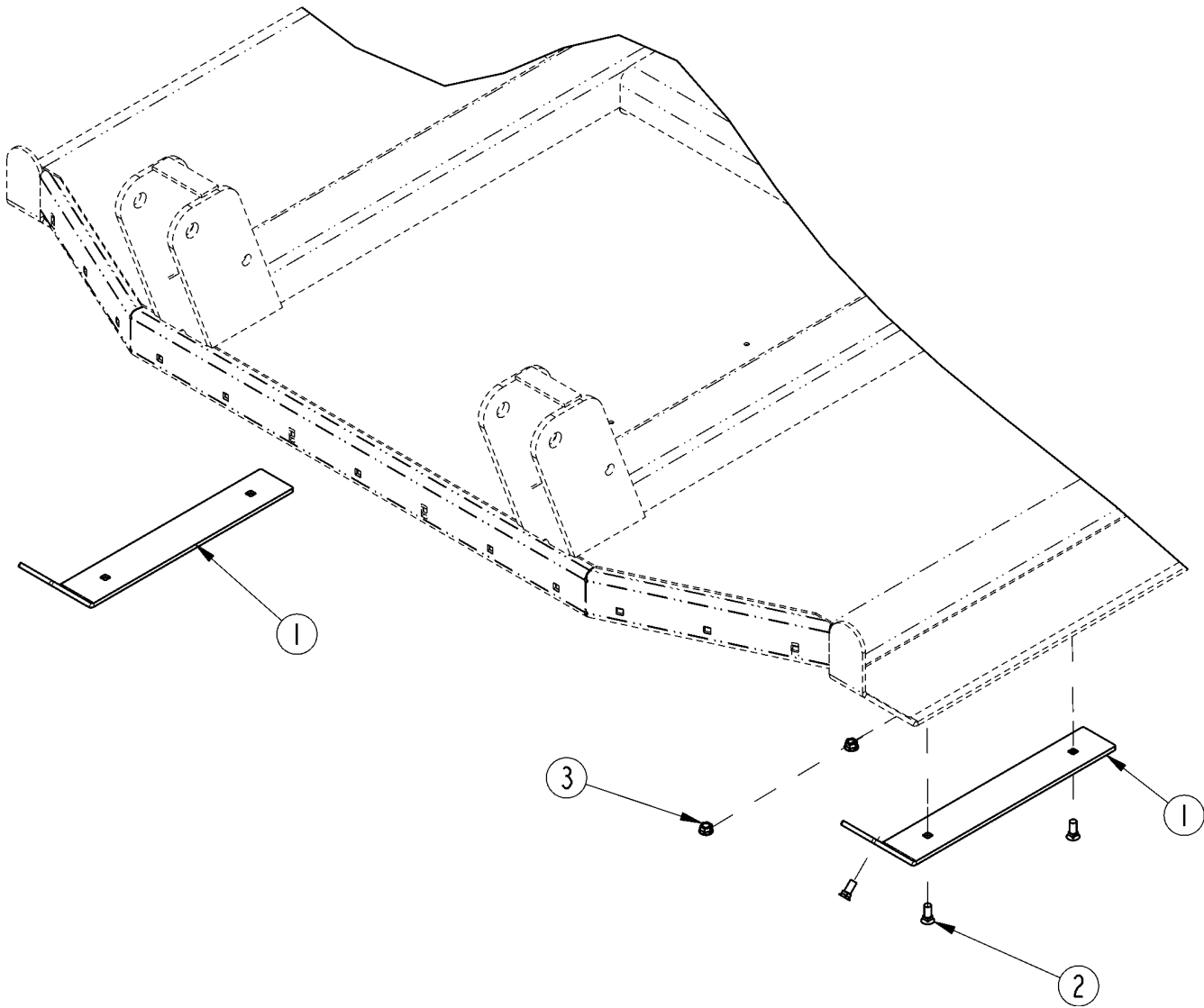
Gearbox (826-376C)**Applies to RCF2084**

Ref	Part No.	Part Description	Comments	Revision
	Dwg 21186 826-376C	Drawing Image Number GBOX RC25 1.38-6 1:1.47 STD. *		
1.	0.210.2000.00	CO INPUT SHAFT 1.38-6		
2.	8.7.3.00331	CO OIL SEAL 45 X 85 X 10		
3.	8.5.2.00332	CO SNAP RING UNI 7437		
4.	0.709.7500.00	CO SHIM 84.7		
5.	8.0.9.00143	CO BEARING 30209 RTA25		
6.	8.1.1.00501	CO BOLT M10X22 HHB		
7.	0.210.6001.00	CO GEAR CROWN Z23 M6		
8.	8.5.1.00533	CO SNAP RING 50 UNI7435		
9.	826-490C	COMER U0.210.7100.00 DIPSTICK		
10.	0.210.1300.00	CO COVER		
11.	0.252.7525.00	CO SHIM 45.3X2.5		
12.	0.121.7101.00	CO CAP		
13.	8.6.6.00201	CO PLUG 3/8 GAS		
14.	8.4.7.02265	CO COTTER PIN B 5X60		
15.	0.132.7106.00	CO NUT M30 X 1.5		
16.	0.210.5001.00	CO PINION Z16 M6		
17.	0.712.7500.00	CO SHIM 50.3X70.3		
18.	04-011	ITG BEARING ASSEMBLY		
19.	0.210.0300.00	CO CASTING & MACHINE		
20.	8.7.1.01107	CO SEAL (50x90x10)		
21.	0.139.7100.00	CO SEAL RETAINER		
22.	0.210.3001.00	CO OUTPUT SHAFT		
23.	0.139.7101.00	CO BLANK WASHER		
24.	8.2.2.00555	CO NUT, CASTLE M30 X 2		
25.	8.4.7.00146	CO COTTER PIN B6 X 60 *		

Notes: Oil Type 80-90W Capacity 6.5 Pints

Skid Shoe Kit

Applies to RCF2084



25895

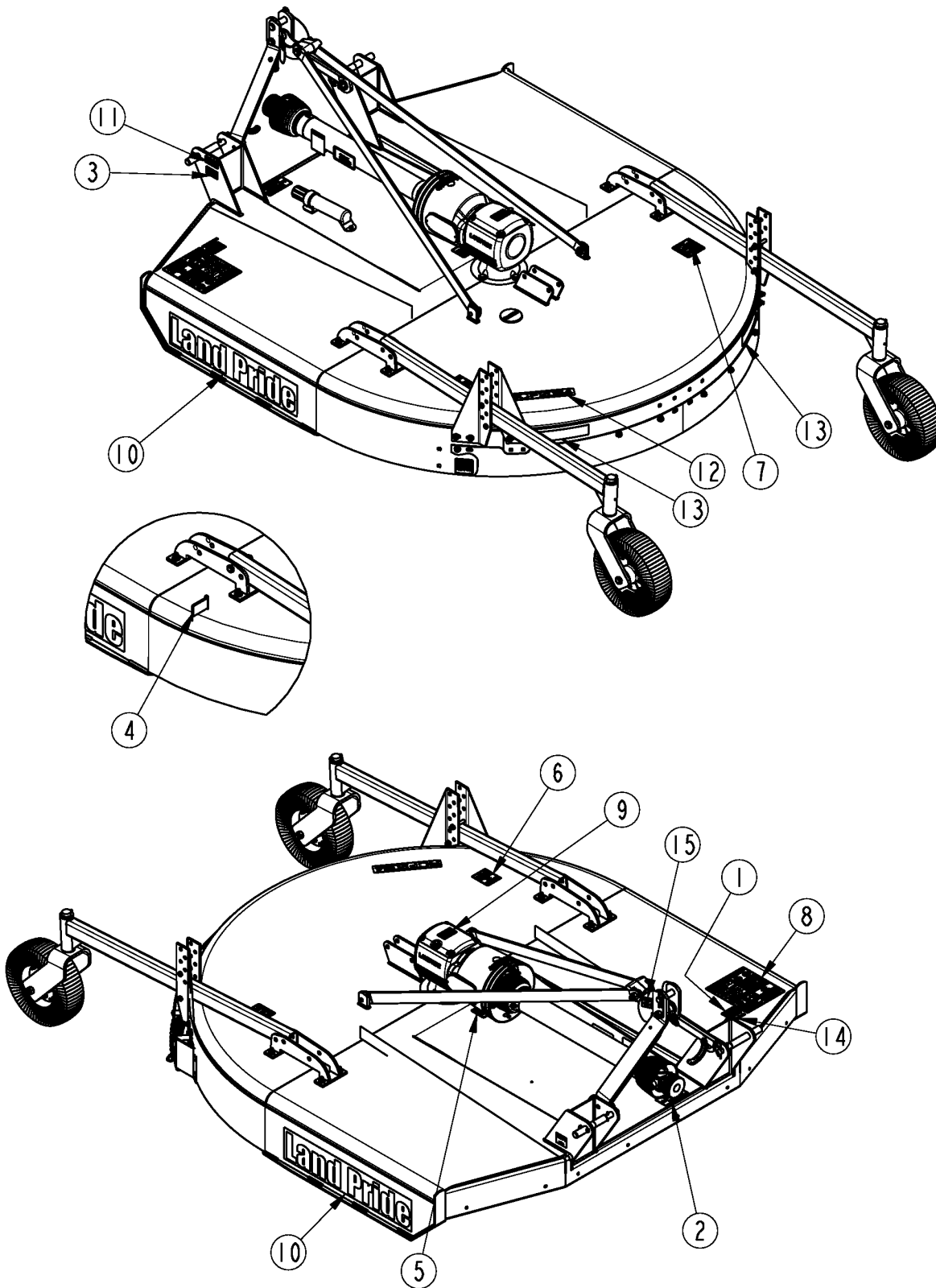
Skid Shoe Kit

Applies to RCF2084

Ref	Part No.	Part Description	Comments	Revision
	dwg25895	Drawing Image Number		
	326-120A	RCR18 SKID SHOE KIT		
		*		
1.	326-221D	SKID SHOE RCR18		
2.	802-603C	PLOW 3/8-16X1 GR5		
3.	803-198C	NUT HEX WHIZ 3/8-16 PLT		

Decal Placement

Applies to RCF2084



30866

Decal Placement**Applies to RCF2084**

Ref	Part No.	Part Description	Comments	Revision
	Dwg 30866	Drawing Image Number		
1.	818-130C	DECAL WARNING 540 RPM		
2.	818-142C	DECAL DANGER PTO DRIVELINE EN		
3.	N/A			
4.	818-230C	DECAL RED REFLECTOR	S/N 875171-	
5.	818-543C	DECAL DANGER PD GUARD MISS SML		
6.	818-556C	DECAL DANGER THROWN OBJ CUTTER		
7.	818-555C	DECAL DANGER ROTATE BLADE		
7.	818-564C	RPBY 818-555C	Obsolete	
8.	818-830C	DECAL SAFETY COMBO SUNWEST	S/N 1538230-	
8.	844-190C	DECAL SINGLE DECK SAFETY COMBO	S/N 1538231+	
9.	818-862C	DECAL 5 YEAR GEARBOX WARRANTY		
10.	838-959C	DECAL LANDPRIDE 30" GREEN	S/N _____ -	
10.	848-122C	DECAL LANDPRIDE 34" TAN/BROWN	S/N _____ +	
11.	838-517C	DECAL QUICK HITCH SYSTEM		
12.	848-472C	DECAL RCF2084-GOLD		
12.	848-473C	RPBY 848-472C	Obsolete	
13.	838-614C	DECAL REFLECTOR RED 2X9	S/N 813017+	
14.	NA	DECAL. PROP65 VINYL	Removed on Single Deck Cutters	
15.	858-148C	DECAL PIC--PINCH POINT	S/N 1315597+	

Touch-up Paints - LP

Applies to RCF2084

No diagram associated with this Parts List

Touch-up Paints - LP**Applies to RCF2084**

Ref	Part No.	Part Description	Comments	Revision
1.	821-011C	LP BEIGE SPRAY CAN	Spray can	
1.	821-011CTU	LP BEIGE TOUCH-UP 5OZ	Touch-up bottle with brush	
1.	821-011CQT	LP BEIGE QUART	Quart can	
1.	821-011CGL	LP BEIGE GALLON	Gallon can	
2.	821-070C	GLOSS BLACK SPRAY CAN	Spray can	
2.	821-070CTU	GLOSS BLACK TOUCH-UP 5OZ	Touch-up bottle with brush	
2.	821-070CQT	GLOSS BLACK QUART	Quart can	
2.	821-070CGL	GLOSS BLACK GALLON	Gallon can	
3.	821-054C	MED. RED SPRAY TRCK/CTR	Spray can	
3.	821-054CTU	MED RED TOUCH-UP 5OZ	Touch-up bottle with brush	
3.	821-054CQT	MED RED QUART	Quart can	
3.	821-054CGL	MED RED GALLON	Gallon can	
4.	821-058C	GREEN SPRAY CUTTERS	Spray can	
4.	821-058CTU	GREEN TOUCH-UP 5OZ	Touch-up bottle with brush	
4.	821-058CQT	GREEN QUART	Quart can	
4.	821-058CGL	GREEN GALLON	Gallon can	
5.	821-066C	ORANGE SPRAY CAN	Spray can	
5.	821-066CTU	ORANGE TOUCH-UP 5OZ	Touch-up bottle with brush	
5.	821-066CQT	ORANGE QUART	Quart can	
5.	821-066CGL	ORANGE GALLON	Gallon can	
6.	821-067C	BLUE SPRAY CAN	Spray can	
6.	821-067CTU	BLUE TOUCH-UP 5OZ	Touch-up bottle with brush	
6.	821-067CQT	BLUE QUART	Quart can	
6.	821-067CGL	BLUE GALLON	Gallon can	
7.	821-080C	PAINT ALUMINUM/ZINC SPRAY CAN	Spray can	
7.	821-080CTU	PAINT ALUMINUM/ZINC TOUCH UP	Touch-up bottle with brush	
7.	821-080CQT	PAINT ALUMINUM/ZINC QUART	Quart can	
7.	821-080CGL	PAINT ALUMINUM/ZINC GALLON	Gallon can	



Part Number Index

The Part Number Index is a numeric index of all part numbers included in this manual. The index shows what page(s) the part is used on.

Part Number	Page	Part Number	Page	Part Number	Page	Part Number	Page
0.121.7101.00	31	326-034K	13	803-037C	7, 15	821-067C	37
0.132.7106.00	31	326-035H	9	803-077C	21	821-067CGL	37
0.139.7100.00	31	326-120A	33	803-169C	9, 11	821-067CQT	37
0.139.7101.00	25, 31	326-169H	7	803-170C	23	821-067CTU	37
0.210.0300.00	31	326-169H81	7	803-177C	21	821-070C	37
0.210.1300.00	31	326-169H82	7	803-181C	19, 21	821-070CGL	37
0.210.2000.00	31	326-169H83	7	803-198C	13, 17, 33	821-070CQT	37
0.210.3001.00	31	326-188D	19	803-255C	7	821-070CTU	37
0.210.5001.00	31	326-219A	15	803-263C	19, 21	821-080C	37
0.210.6001.00	31	326-221D	33	803-289C	9, 11	821-080CGL	37
0.252.7525.00	31	326-294D	9	803-299C	25	821-080CQT	37
0.709.7500.00	31	326-295D	9	803-308C	9, 11	821-080CTU	37
0.712.7500.00	31	326-296D	9	804-007C	7	822-091C	9, 11
04-011	31	326-297D	9	804-009C	25	822-092C	9, 11
044321	27	326-320D	19	804-010C	25	826-376C	25, 31
123.350.175.11	27	326-321D	17	804-015C	9, 11	826-490C	25, 31
141.025.363.1	27, 29	326-322D	17	804-016C	9, 11	826-510C	25, 27, 29
142.250.3707521	27, 29	326-323D	13	804-019C	19, 21	826-648C	25
146.252.011.1	27	326-327D	7	804-021C	9, 11	827-036C	9, 11
146.254.015.11	29	326-329D	19	804-024C	19	837-062C	21
151.015.011	27	326-360D	17	804-036C	21	837-063C	21
151.015.011.1	27	326-361D	17	804-066C	9, 11	837-101C	25
151.015.012.1	27	326-362D	13	804-147C	23	838-517C	35
151.015.038.1	27, 29	326-365D	11	804-156C	19	838-614C	35
151.016.486	29	326-366D	11	805-088C	19, 21	838-959C	35
151.018.018.1	27	326-389H	19, 21	805-103C	19	840-273C	25
151.019.011.1	29	326-390H	19, 21	805-109C	19	844-190C	35
152.150.2140710	27	326-546D	19, 21	805-124C	19, 21	848-122C	35
153.150.114	27	326-549D	15	805-227C	19	848-472C	35
165.000.502	27, 29	326-570D	15	805-255C	9, 11	848-473C	35
165.000.548	29	326-574D	19, 21	805-485C	19, 21	858-148C	35
165.000.549	27	326-822D	19	807-350C	21	890-400C	13
165.000.628	27, 29	327-143S	21	812-500C	21	890-485C	15
180.014.022	29	327-781D	21	8123.350.175.11	29	890-961C	9, 11
180.014.240	29	327-782D	21	8123.450.326.11	27, 29	Dwg 21186	31
180.015.130	27, 29	8.0.9.00143	31	814-058C	9, 11	Dwg 30864	23
180.015.288	27, 29	8.1.1.00501	31	814-161C	9, 11	Dwg 30865	25
180.015.289	27, 29	8.2.2.00555	25, 31	815-092C	9, 11	Dwg 30866	35
180.016.483	29	8.4.7.00146	25, 31	815-230C	9, 11	Dwg 37991	21
180.016.487	29	8.4.7.02265	31	816-286C	9, 11	Dwg 72993	29
180.019.014	27, 29	8.5.1.00533	31	816-504C	7	dwg24764	13
180.019.017	27	8.5.2.00332	31	816-526C	17	dwg24765	17
180.019.018	27	8.6.6.00201	31	816-538C	17	dwg24771	27
180.019.019	27, 29	8.7.1.01107	31	818-130C	35	dwg25895	33
180.019.115	29	8.7.3.00331	31	818-142C	35	dwg30702	15
180.019.116.1	27, 29	800-001C	9, 11	818-230C	35	dwg30858	7
180.019.340	29	800-080C	9, 11	818-543C	35	dwg30863	19
190.000.016	27	802-007C	25	818-555C	35	dwg30893	11
190.000.078	29	802-010C	21	818-556C	35	dwg30894	9
190.000.098	27, 29	802-015C	13, 17	818-564C	35	N/A	9, 11, 23, 27, 29,
190.000.099	27, 29	802-041C	9	818-830C	35		35
190.000.394	27	802-053C	19, 21	818-862C	35	NA	35
190.000.451	29	802-055C	21	8180.014.240	27		
190.000.856	29	802-065C	25	820-138C	23		
312-075D	23	802-091C	9	821-011C	37		
312-082D	23	802-106C	9, 11	821-011CGL	37		
312-089D	23	802-135C	9, 11	821-011CQT	37		
312-388H	23	802-138C	21	821-011CTU	37		
312-616D	11	802-153C	9, 11	821-054C	37		
312-737D	13	802-183C	7, 15	821-054CGL	37		
312-808D	23	802-192C	19, 21	821-054CQT	37		
312-866A	17	802-224C	7	821-054CTU	37		
312-867K	17	802-277C	23	821-058C	37		
312-869A	13	802-280C	9, 11	821-058CGL	37		
312-870K	13	802-326C	9, 11	821-058CQT	37		
312-879H	9, 11	802-585C	15	821-058CTU	37		
312-948D	15	802-603C	33	821-066C	37		
318-337D	13	802-941C	15	821-066CGL	37		
318-586A	23	803-024C	9, 11	821-066CQT	37		
326-033K	17	803-026C	9, 11	821-066CTU	37		

This Page Intentionally Left Blank



Great Plains Manufacturing, Inc.

Corporate Office: P.O. Box 5060
Salina, Kansas 67402-5060 USA

www.landpride.com
