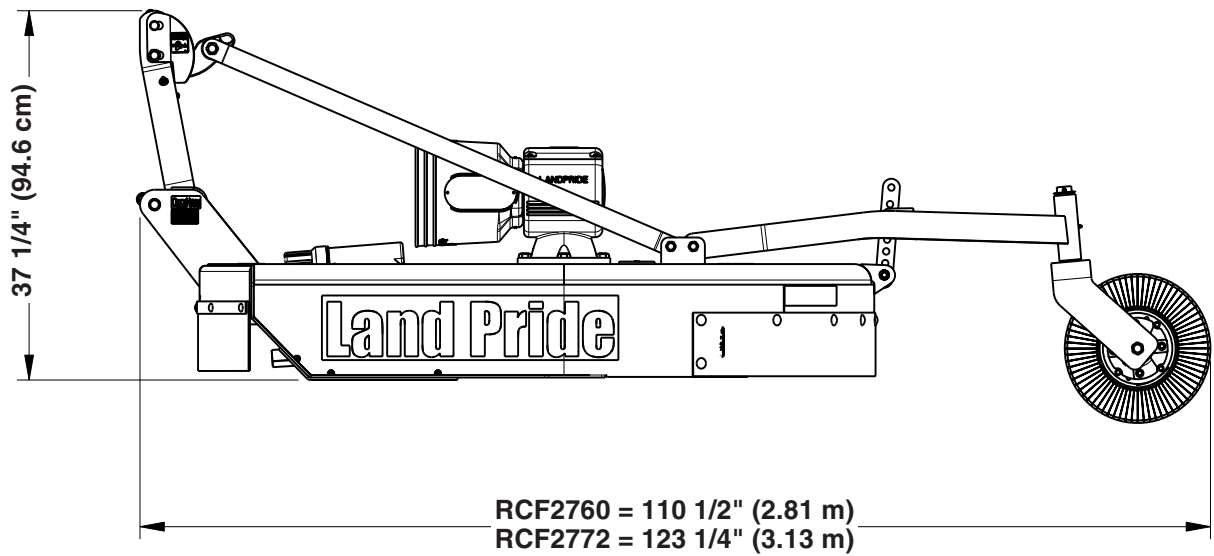
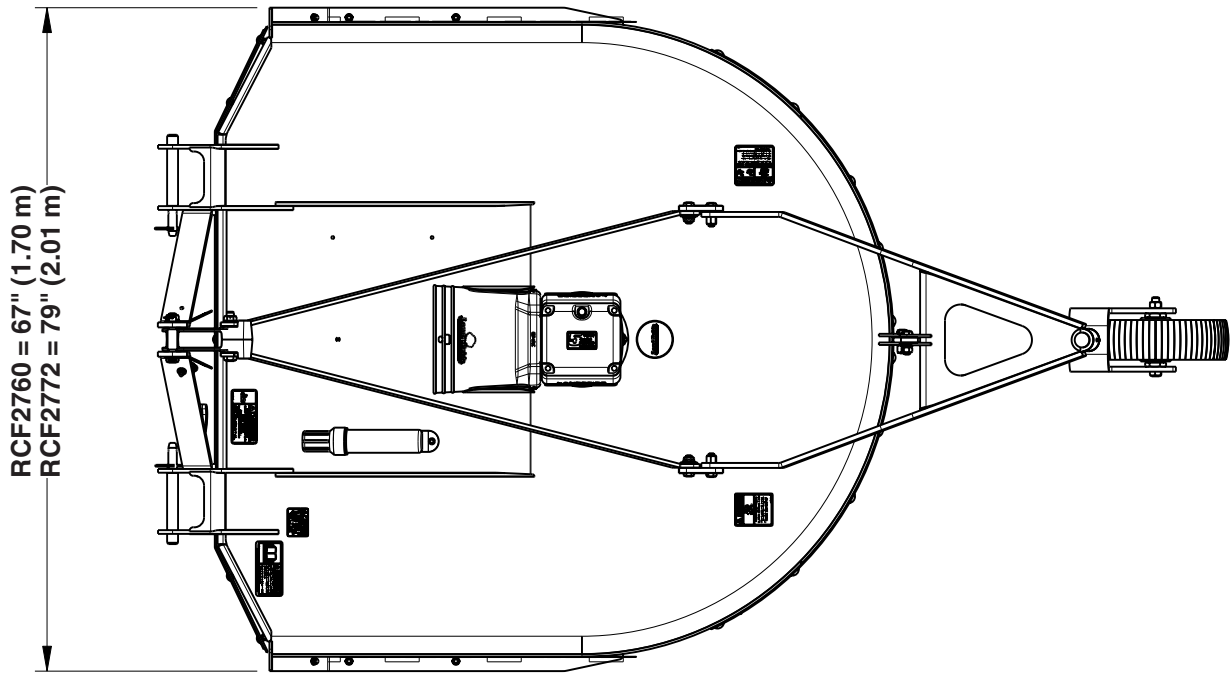


RCF2760 & RCF2772 Models

Specifications & Capacities		
Model Numbers	RCF2760	RCF2772
Machine Weight	955 lbs (433.2 kg)	1,072 lbs (486.3 kg)
	With front and rear Single Chain Guards	
Hitch	Category I or II with floating top linkage, Quick Hitch ready	
Cutting Width	60" (1.52 m)	72" (1.83 m)
Overall Width	67" (1.70 m)	79" (2.01 m)
Overall Length	109" (2.77 m)	121 3/4" (3.09 m)
Deck Height (Bottom of Deck to Bottom of Skid Shoe)	11 1/4" (28.6 cm)	
Cutting Height	1 1/2" - 12" (3.8 cm - 30.5 cm)	
Cutting Capacity	3" (7.6 cm) Diameter	
Recommended Tractor hp	35-130 hp (26.1-96.9 kw)	
Power Take-Off Speed	540 rpm	
Gearbox	540 rpm power take-off driven gearbox, 1:1.44 speed-up beveled gears, cast iron housing, 1 3/8" (3.5 cm) - 6 spline input shaft and 2" (5.1 cm) output shaft	
Gearbox Lubricant	EP 80-90W oil	
Gearbox oil Capacity	7 pints (3.31 L)	
Deck Construction	All welded deck	
Deck Material Thickness	10 Gauge (3.4 mm)	
Side Skirt Material Thickness	1/4" (6 mm)	
Skid Construction	Replaceable bolt on skid shoes	
Stump Jumper	3/16" x 24" (0.5 cm x 61.0 cm) Round Pan	3/16" x 30 1/2" (0.5 cm x 77.5 cm) Round Pan
Blades (2)	1/2" x 4" x 25" (1.3 cm x 10.2 cm x 63.5 cm) Heat treated alloy steel free-swinging high lift	1/2" x 4" x 29" (1.3 cm x 10.2 cm x 73.7 cm) Heat treated alloy steel free-swinging high lift
Blade Bolts	Keyed with harden flat washers & locknuts.	
Blade Tip Speed	12,384 FPM (62.9 mps)	14,861 FPM (75.5 mps)
Driveline	ASAE Category 4	
Driveline Protection	4 plate slip clutch	
Tailwheel Mount Assembly	Welded A-arm and caster fork with 360 degree swivel	
Tailwheel	4.00" x 8" x 15" (10.2 cm x 20.3 cm x 38.1 cm) Laminated tire with cast iron hub and tapered roller bearings	
Front Guard	Optional: Rubber Belting or Single Chain Guard	
Rear Guard	Single Chain Guard	



30964