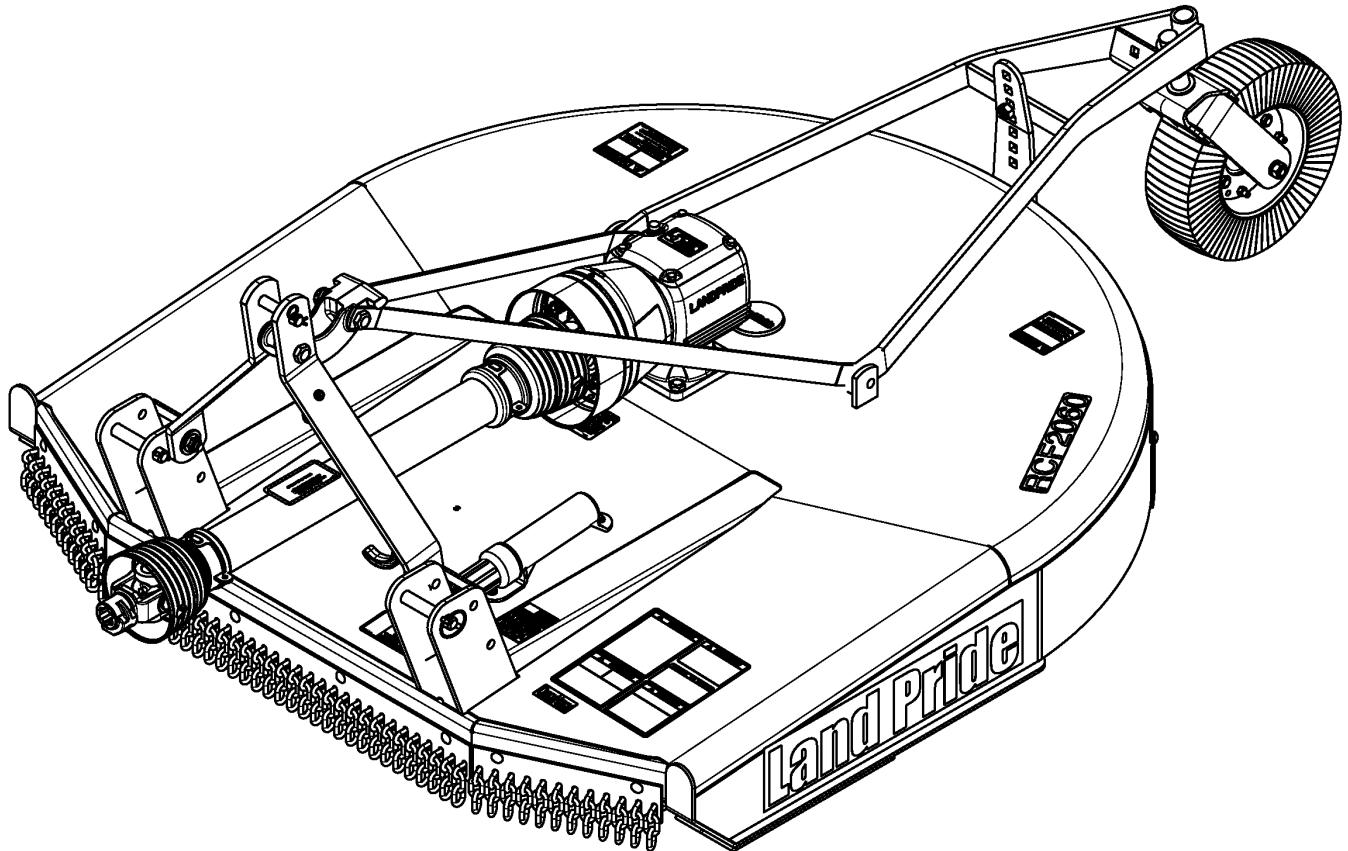


Rotary Cutter

RCF2060 & RCF2072



30912

326-459P **Parts Manual**



Read the Operator's Manual entirely. When you see this symbol, the subsequent instructions and warnings are serious - follow without exception. Your life and the lives of others depend on it!

© Copyright 2020 Printed 07/14/20

Cover photo may show optional equipment not supplied with standard unit.





Table of Contents

Section 1: Introduction.....	4
Using This Manual.....	4
Manual Replacement Information.....	4
Manual Revisions.....	4
Touch-up Paint.....	4
Hardware Legend.....	5
Replacement Hardware.....	5
Serial Numbers.....	5
Part Number Service Coding.....	5
Section 2: Deck.....	6
Deck Components RCF2060.....	6
Deck Components RCF2072.....	8
Front Chain Guard.....	10
Front Rubber Guard.....	12
Hitch and Gauge Wheel Mount 961386-.....	14
Hitch and Gauge Wheel Mount 961387+.....	16
Rear Chain Guard.....	20
Rear Rubber Guard.....	22
Tail Wheel and Yoke.....	24
Section 3: Blade Drive.....	26
Blade Carrier.....	26
Blade Drive.....	28
Driveline (826-656C & 312-728A) Comer.....	30
Driveline (826-657C & 312-026A) Comer.....	32
Driveline (826-660C & 312-732A) Comer.....	34
Driveline (826-661C & 312-025A) Comer.....	36
Gearbox (826-383C).....	38
Gearbox (826-384C).....	40
Section 4: Options & Accessories.....	42
Skid Shoe Kit.....	42
Section 5: Decals.....	44
Decal Placement.....	44
Touch-up Paints - LP.....	46
Part Number Index.....	48

© Copyright 2020. All rights reserved.

Land Pride provides this publication “as is” without warranty of any kind, either expressed or implied. While every precaution has been taken in the preparation of this manual, Land Pride assumes no responsibility for errors or omissions. Neither is any liability assumed for damages resulting from the use of the information contained herein. Land Pride reserves the right to revise and improve its products as it sees fit. This publication describes the state of this product at the time of its publication, and may not reflect the product in the future. The illustrations in this manual are not intended for safe and proper assembly or disassembly of equipment. The illustrations are intended for ordering parts only.

Land Pride is registered trademark.

All other brands and product names are trademarks or registered trademarks of their respective holders.

Printed in the United States of America.



Alphabetized Table of Contents

B	
Blade Carrier.....	26
Blade Drive.....	28
D	
Decal Placement.....	44
Deck Components RCF2060.....	6
Deck Components RCF2072.....	8
Driveline (826-656C & 312-728A) Comer.....	30
Driveline (826-657C & 312-026A) Comer.....	32
Driveline (826-660C & 312-732A) Comer.....	34
Driveline (826-661C & 312-025A) Comer.....	36
F	
Front Chain Guard.....	10
Front Rubber Guard.....	12
G	
Gearbox (826-383C).....	38
Gearbox (826-384C).....	40
H	
Hitch and Gauge Wheel Mount 961386-.....	14
Hitch and Gauge Wheel Mount 961387+.....	16
R	
Rear Chain Guard.....	20
Rear Rubber Guard.....	22
S	
Skid Shoe Kit.....	42
T	
Tail Wheel and Yoke.....	24
Touch-up Paints - LP.....	46

General Information

Using This Manual

This manual is divided into sections. The first section contains General Information. The remaining sections divide the machine into segments (i.e. Frames, Drives, Hydraulics, etc.) which illustrate and list all parts. A Parts Number Index is located at the back of the book.

The Land Pride parts in this manual are specially designed for this machine and should be replaced with Land Pride parts only.

The information in this manual is current at time of printing. Some parts may change to assure top performance.

Right-hand and left-hand as used in this manual are determined by facing the direction the machine will travel while in use.

Below is an example of two facing pages from a parts manual. Familiarize yourself with the type of information contained on these pages.

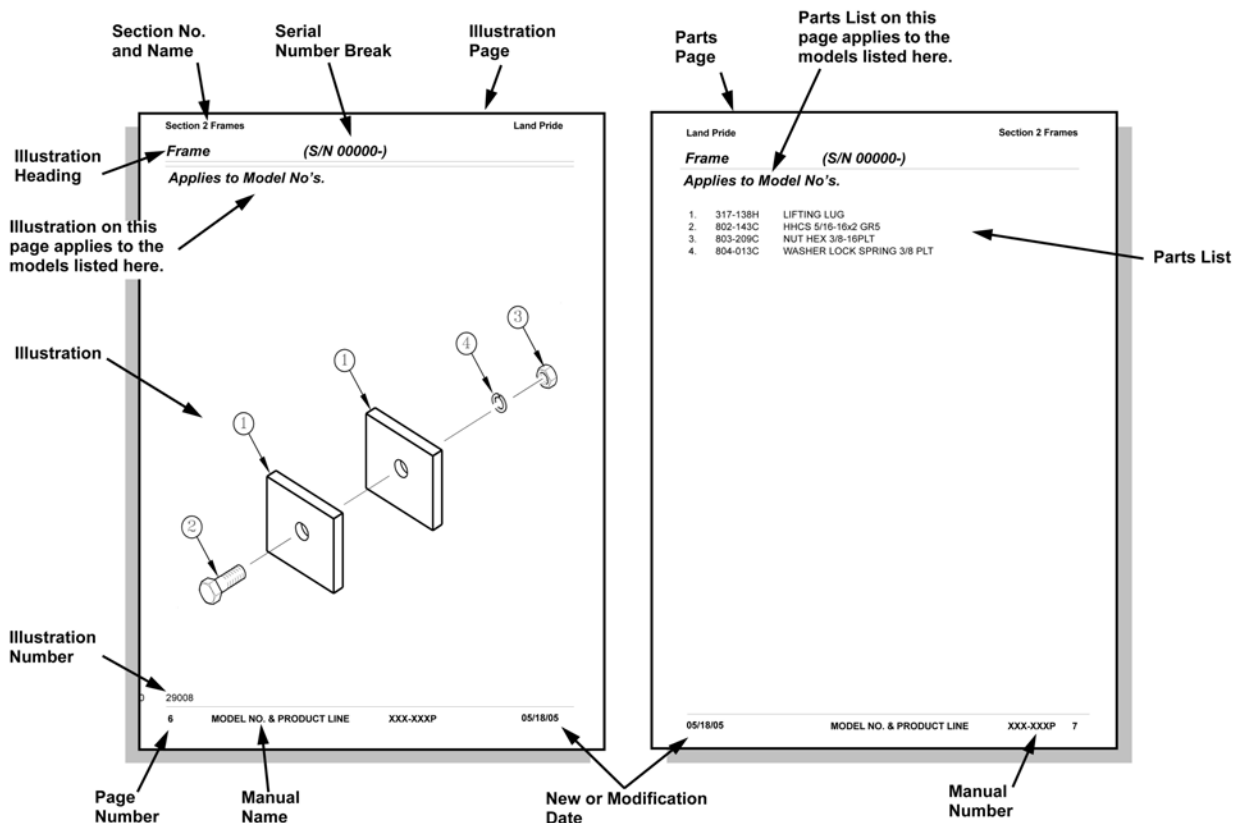
Manual Replacement Information

Replacement manuals are available. Refer to our website at www.landpride.com or e-mail us at lit@landpride.com for additional information. Our website continues to provide the most up-to-date manuals available.

Touch-up Paint

Repaint parts where paint is worn or scratched to prevent rust. Aerosol cans and touch-up bottles with brush applicator are available through your local dealer. Also available are quart and gallon size paints. Add QT or GL to end of the Aerosol P/N.

Land Pride color descriptions and part numbers are listed on the "Land Pride Touch-up Paints" page in the "Decals" section of this book. Color options vary by product.



General Information

Hardware Legend

AR	As Required
BLADE	Blade Bolt
C	Cap Screw
CP	Cotter Pin
CPHSSS	Cup Point Hex Socket Set Screw
CPSHSS	Cup Point Square Head Set Screw
CPSQHSS	Cup Point Square Head Set Screw
CRFCHMS3	Cross Recess Flat Countersunk Head Machine Screw
CRPHMS	Cross Recess Pan Head Machine Screw
CRPHTF	Cross Recess Pan Head Thread Forming
CRRHMS	Cross Recess Round Head Machine Screw
CRTHMS	Cross Recess Truss Head Machine Screw
CSNB	Countersunk Square Neck Bolt
FHMS	Flat Head Machine Screw
FTC	Full Thread Cap Screw
H	Hex Nut
HCLN	Hex Center Lock Nut
HFLCS	Hex Flange Lock Cap Screw
HFS	Hex Flange Screw
HFSLN	Hex Flange Serrated Lock Nut
HFSS	Hex Flange Serrated Screw
HHCS	Hex Head Cap Screw or Metric Bolt
HSBHCS	Hex Socket Button Head Cap Screw
HSFCHCS	Hex Socket Flat Countersunk Head Cap Screw
HSHCS	Hex Socket Head Cap Screw
HSSS	Hex Socket Head Screw
HTLN	Hex Top Lock Nut
HWHCS	Hex Washer Head Cap Screw

HWHMS	Hex Washer Head Machine Screw
HXBHCS	Hex Socket Button Head Cap Screw
J	Hex Jam Nut
JIC	37 Degree Tapered Thread
L	Helical Spring Lock Washer
LUG	Lug Bolt
NFC	National Fine Cap Screw
NPSM	National Pipe Straight Mechanical
NPTF	National Pipe Taper Fuel
P	Wide Plain Washer
PHMS	Pan Head Machine Screw
PLOW	Plow Bolt
RHMS	Round Head Machine Screw
RHSNB	Round Head Square Neck Bolt
SCREW LEVELING	Leveling Screw
SCREW THUMB	Thumb Screw
SCREW WELD	Weld Screw
SFCHMS	Slotted Flat Countersunk Head Machine Screw
SFHMS	Slotted Fillister Head Machine Screw
SP	Special
SP SCREW	Special Screw
SQHSS	Square Head Set Screw
SRHMS	Slotted Round Head Machine Screw
SSS	Socket Set Screw
STCS	Self Tapping Cap Screw
STHMS	Slotted Truss Head Machine Screw
WHEEL	Wheel Studs and Hub Long Bolts
WING	Wing Bolt

Replacement Hardware

The **Hardware Legend** above lists hardware abbreviations used in the parts list. All bolts and nuts are Grade 5 unless otherwise noted. The use of improper grades of hardware can result in personal injury, damage to equipment, or loss of property.

Colored Replacement Parts

Land Pride offers replacement parts in factory standard colors and also on select models in Green, Orange, Red and Blue. Because of the variety of colors available, special attention must be given to the part number to prevent ordering the wrong replacement part.

A suffix number corresponding to one of the colors below must be added at the end of Land Pride's part number when ordering a replacement part with that color.

81 Green 83 Red
82 Orange 84 Blue

For example, if you are ordering a replacement part with part number 555-555C and the part you need is red, then add the suffix 83 to the end of the number to make the part number read 555-555C83. Parts ordered without a suffix number will be supplied in factory standard colors.

Black Replacement Parts

Some parts are factory standard black and some must be special ordered black. If your part is special ordered black, a second part number with the additional suffix number 85 on the end will be available. In this situation you must order that part with the suffix number for it to be black. Parts that are factory standard black will not have the suffix number.

Part Number Service Coding

Within the parts list some part numbers are coded for revisions and interchangeability. See notations in revision column.

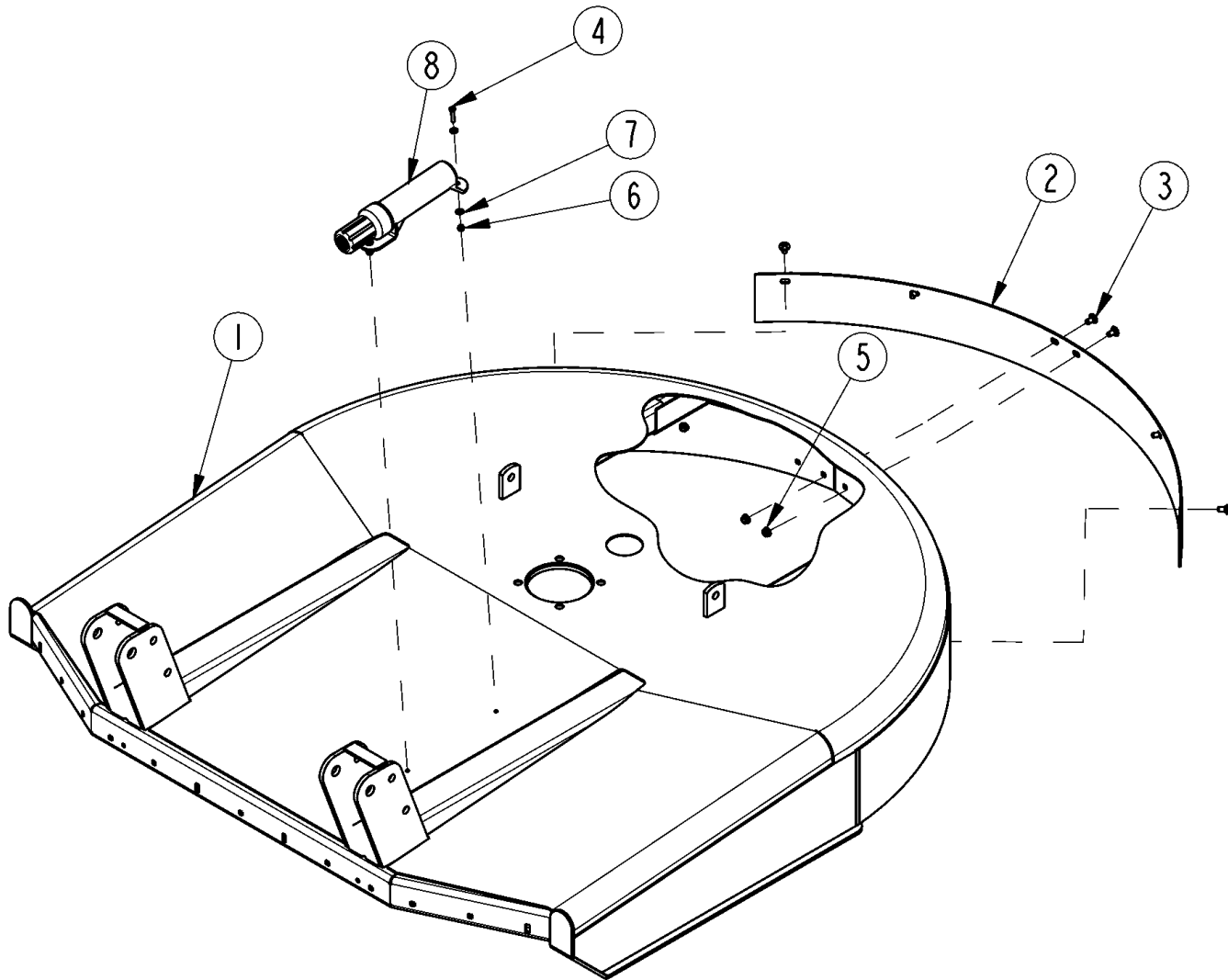
Serial Numbers

Always use the serial and model number when ordering parts. Refer to the Operator's Manual for serial number plate location.

- (S/N 20001+) Includes serial numbers 20001 and above (to the latest number)
- (S/N 10001 to 20000) Includes serial numbers between and including 10001 and 20000
- (S/N 10000-) Includes serial numbers 10000 and below (to the earliest number)

Deck Components RCF2060

Applies to RCF2060



30913

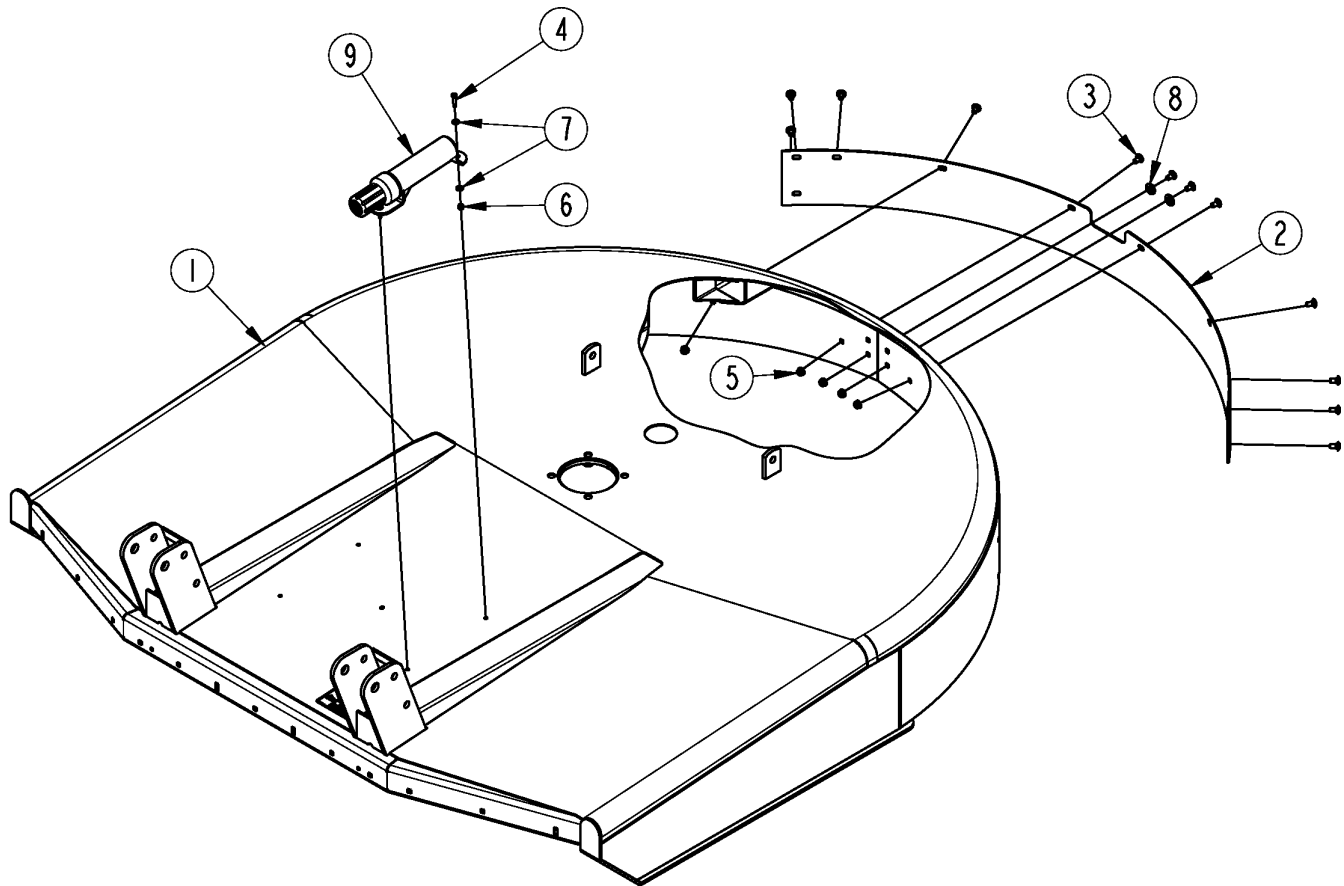
Deck Components RCF2060

Applies to RCF2060

Ref	Part No.	Part Description	Comments	Revision
	Dwg 30913	Drawing Image Number		
1.	326-149H	RCF2060 SMOOTH TOP WLDMT	BEIGE UNIT	
1.	326-149H81	RCF2060 DECK SMOOTH TOP GREEN	GREEN UNIT	
1.	326-149H82	RCF2060 DECK SMOOTH TOP ORANGE	ORANGE UNIT	
1.	326-149H83	RCF2060 DECK SMOOTH TOP RED	RED UNIT	
1.	326-149H84	RCF2060 DECK SMOOTH TOP BLUE	BLUE UNIT	
2.	326-231D	REAR BAND DEFLECTOR	RCF2060	
3.	802-149C	RHSNB 3/8-16X3/4 GR5		
4.	802-224C	HHCS 1/4-20X1 1/4 GR5		
5.	803-198C	NUT HEX WHIZ 3/8-16 PLT		
6.	803-255C	NUT HEX NYLOCK 1/4-20		
7.	804-007C	WASHER FLAT 1/4 SAE PLT		
8.	816-504C	MANUAL STORAGE CONTAINER		

Deck Components RCF2072

Applies to RCF2072



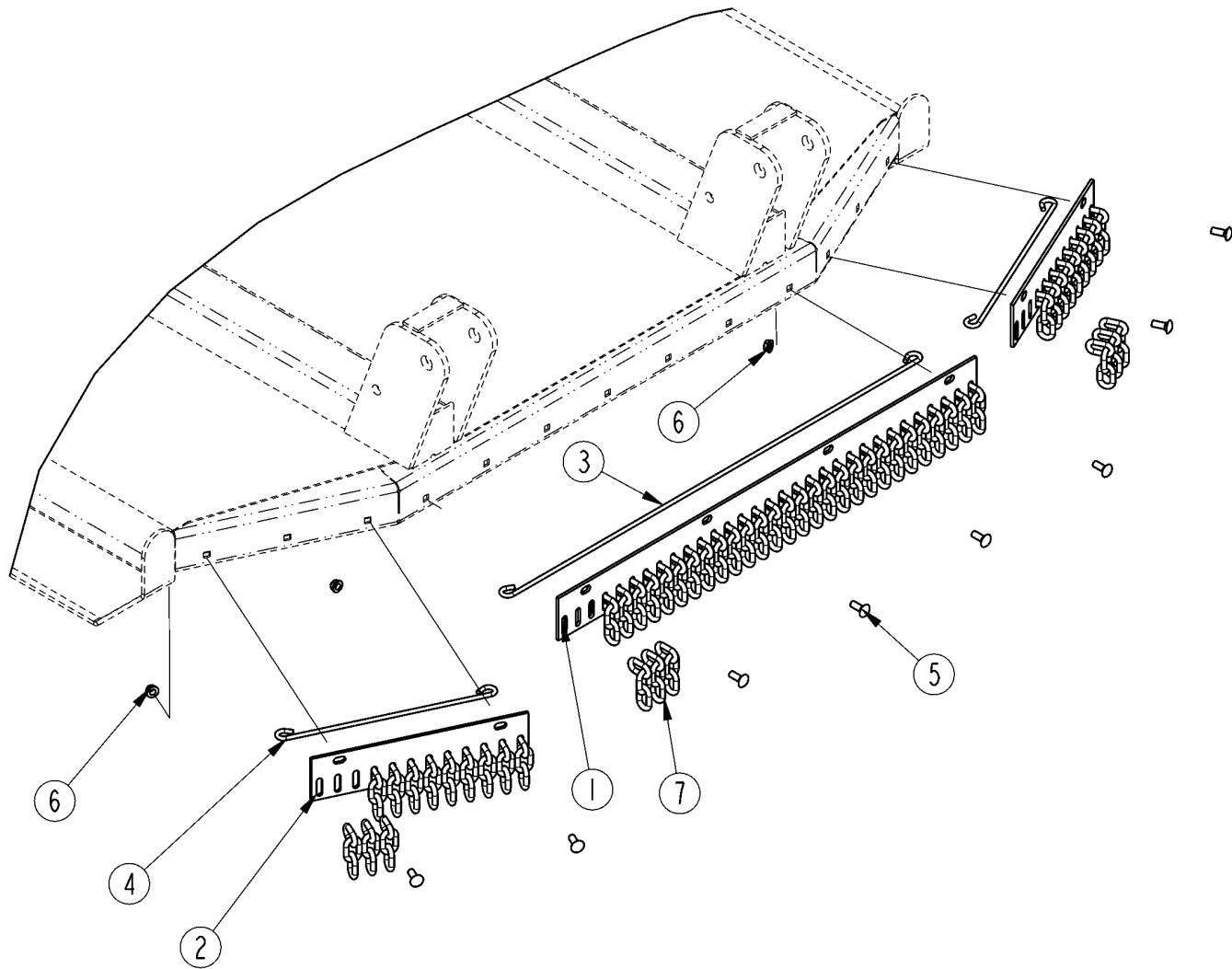
39845

Deck Components RCF2072**Applies to RCF2072**

Ref	Part No.	Part Description	Comments	Revision
	Dwg 39845	Drawing Image Number		
1.	326-141H	RCF2072 DECK SMOOTH TOP	BEIGE UNIT	
1.	326-141H81	RCF2072 DECK SMOOTH TOP GREEN	GREEN UNIT	
1.	326-141H82	RCF2072 DECK SMOOTH TOP ORANGE	ORANGE UNIT	
1.	326-141H83	RCF2072 DECK SMOOTH TOP RED	RED UNIT	
1.	326-141H84	RCF2072 DECK SMOOTH TOP BLUE	BLUE UNIT	
2.	327-589D	REAR BAND DEFLECTOR RCR/F 72"	S/N 1082157+	
2.	326-242D	REAR BAND DEFLECTOR	S/N 1082156-	
3.	802-149C	RHSNB 3/8-16X3/4 GR5		
4.	802-224C	HHCS 1/4-20X1 1/4 GR5		
5.	803-198C	NUT HEX WHIZ 3/8-16 PLT		
6.	803-255C	NUT HEX NYLOCK 1/4-20		
7.	804-007C	WASHER FLAT 1/4 SAE PLT		
8.	804-016C	WASHER FLAT 1/2 SAE PLT	S/N 1082157+	
9.	816-504C	MANUAL STORAGE CONTAINER		

Front Chain Guard

Applies to RCF2060, RCF2072



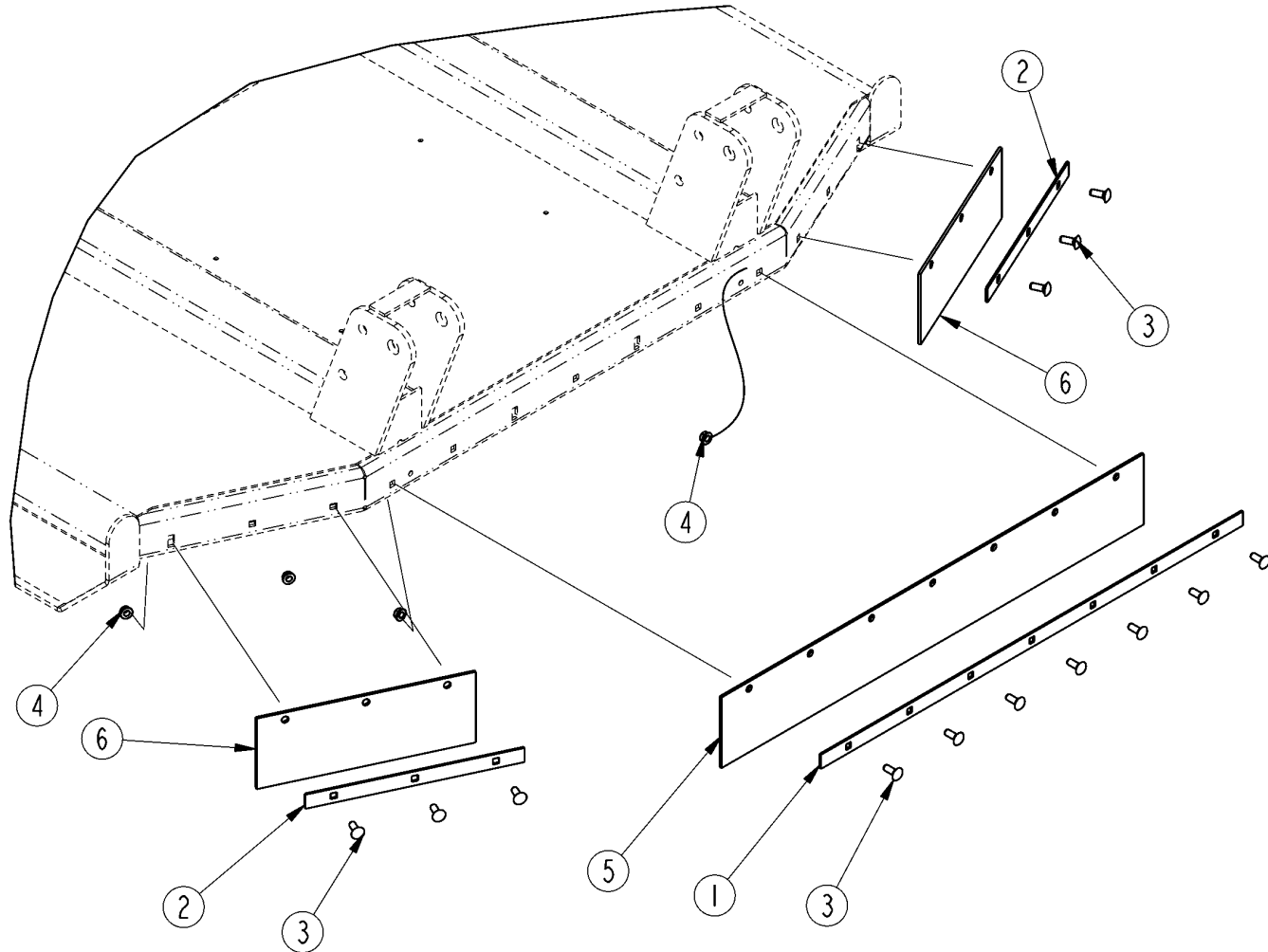
21411

Front Chain Guard**Applies to RCF2060, RCF2072**

Ref	Part No.	Part Description	Comments	Revision
	dwg21411	Drawing Image Number		
	312-845A	FRONT CHAIN GUARD COMPLETE RCR1860		
	312-847A	FRONT CHAIN GUARD COMPLETE RCR1872		
		*		
1.	326-219D	FRONT CHAIN GUARD BRKT. CTR.		
2.	326-220D	FRONT CHAIN GUARD BRKT. OUT.	RCR1860 RCF2060	
2.	326-222D	FRONT CHAIN GUARD BRKT. OUT.	RCR1872 RCF2072	
3.	326-223D	ROUND ROD .25 X 37.50		
4.	326-224D	ROUND ROD .25 X 16.50	RCR1860 RCF2060	
4.	318-142D	ROUND ROD 1/4 X 21	RCR1872 RCF2072	
5.	802-015C	RHSNB 3/8-16X1 GR5		
6.	803-198C	NUT HEX WHIZ 3/8-16 PLT		
7.	890-485C	CHAIN WELD 5/16 PROOF X 3 LINK	RCR1860 RCF2060	
7.	890-341C	CHAIN WELD 5/16 PROOF X 5 LINK	RCR1872 RCF2072	

Front Rubber Guard

Applies to RCF2060, RCF2072



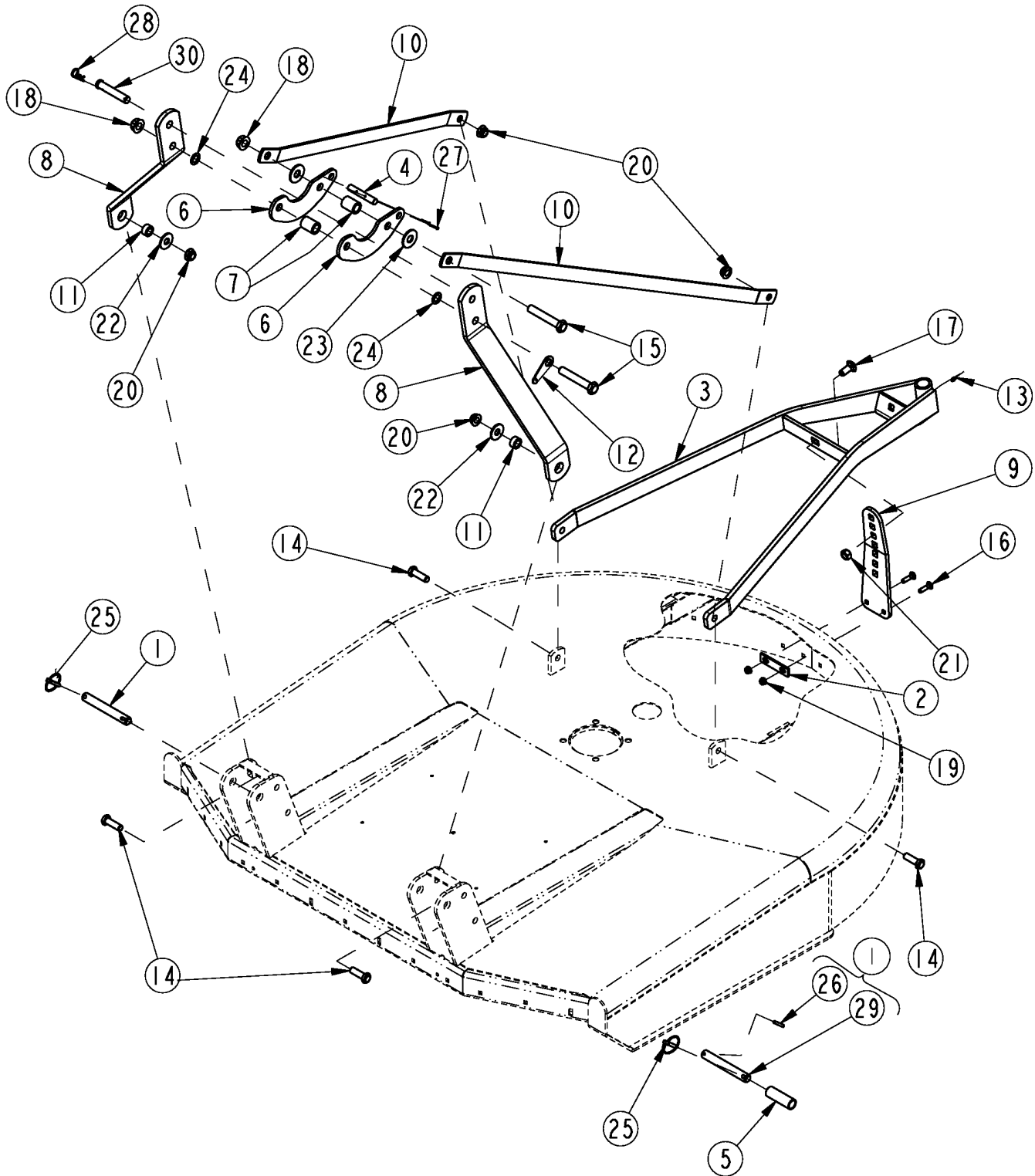
21413

Front Rubber Guard**Applies to RCF2060, RCF2072**

Ref	Part No.	Part Description	Comments	Revision
	dwg21413	Drawing Image Number		
	312-844A	FRONT RUBBER COMPLETE	RCR1860 RCF2060	
	312-846A	FRONT RUBBER COMPLETE	RCR1872 RCF2072	
		*		
1.	326-214D	FLAT STRAP		
2.	326-215D	FLAT STRAP	RCR1860 RCF2060	
2.	326-218D	FLAT STRAP	RCR1872 RCF2072	
3.	802-015C	RHSNB 3/8-16X1 GR5		
4.	803-198C	NUT HEX WHIZ 3/8-16 PLT		
5.	816-437C	RUBBER DEFLECTOR	RCR1860 RCF2060	
5.	816-440C	RUBBER DEFLECTOR	RCR1872 RCF2072	
6.	816-438C	RUBBER DEFLECTOR	RCR1860 RCF2060	
6.	816-439C	RUBBER DEFLECTOR	RCR1872 RCF2072	

Hitch and Gauge Wheel Mount 961386-

Applies to RCF2060, RCF2072



30914

Hitch and Gauge Wheel Mount 961386-**Applies to RCF2060, RCF2072**

Ref	Part No.	Part Description	Comments	Revision
	Dwg 30914	Drawing Image Number		
1.	303-017S	LOWER HITCH PIN 7/8 X 5 5/8		
2.	312-851D	GAUGE WHEEL SUPPORT FLAT		
3.	326-146H	WLDMT. GAUGE WHEEL MAINFRAME		
4.	326-188D	PIN, STOP		
5.	326-236D	BSH 1-1/8X7/8X3-3/8	Optional Bushing not Supplied W/ Unit	
6.	326-320D	REAR BRACE HINGE		
7.	326-329D	SPACER 1 1/4ODX13/16IDX1 5/8		
8.	326-429D	STRAP UPPER 3PT.		
9.	326-452D	TAILWHEEL ADJ BRKT FORMED		
10.	326-454D	REAR BRACE RCF2060	RCF2060	
10.	326-430D	REAR BRACE RCF2072	RCF2072	
11.	326-546D	BSH 1.12ODX.69IDX.55L		
12.	326-822D	DRIVELINE CHAIN CLIP		
13.	800-080C	GREASE ZERK 1/4-28 THD FORMING		
14.	802-055C	HHCS 5/8-11X2 GR5		
15.	802-192C	HHCS 3/4-10X4 1/2 GR5		
16.	802-453C	RHSNB 3/8-16X1 1/2 GR5		
17.	802-464C	RHSNB 5/8-11X1 1/2 GR5 PLT		
18.	803-181C	NUT HEX FLANGE LOCK 3/4-10 PLT		
19.	803-198C	NUT HEX WHIZ 3/8-16 PLT		
20.	803-263C	NUT HEX FLANGE LOCK 5/8-11 PLT		
21.	803-271C	NUT HEX TOP LOCK 5/8-11 PLT		
22.	804-019C	WASHER FLAT 5/8 USS PLT		
23.	804-024C	WASHER FLAT 3/4 USS PLT		
24.	804-156C	WASHER MACH 1 1/4X3/4X14GA		
25.	805-015C	PIN LINCH 5/16 X 1 3/4		
26.	805-041C	PIN ROLL 1/4X1 3/4		
27.	805-109C	PIN COTTER 1/8 X 1 1/4 PLT		
28.	805-143C	PIN HAIR COTTER .120 PLT		
29.	805-207C	PIN 7/8 OD X 4 15/32 USABLE		
30.	805-228C	PIN CLVS .75X3.94 USBL		

Hitch and Gauge Wheel Mount 961387+**Applies to RCF2060, RCF2072**

Ref	Part No.	Part Description	Comments	Revision
	Dwg 37990	Drawing Image Number		
1.	303-017S	LOWER HITCH PIN 7/8 X 5 5/8		
2.	312-851D	GAUGE WHEEL SUPPORT FLAT		
3.	326-236D	BSH 1-1/8X7/8X3-3/8	Optional Not Supplied With Unit	
4.	326-429D	STRAP UPPER 3PT.	Beige	
4.	326-429D81	STRAP UPPER 3PT. GREEN	S/N 992246+	
4.	326-429D82	STRAP UPPER 3PT. ORANGE	S/N 992246+	
4.	326-429D83	STRAP UPPER 3PT. RED	S/N 992246+	
4.	326-429D84	STRAP UPPER 3PT. BLUE	S/N 992246+	
4.	326-429D85	STRAP UPPER 3PT. BLACK	S/N 992245-	
5.	326-452D	TAILWHEEL ADJ BRKT FORMED		
6.	326-454D	REAR BRACE RCF2060	Beige	
6.	326-454D81	REAR BRACE RCF2060 GREEN	S/N 992246+	
6.	326-454D82	REAR BRACE RCF2060 ORANGE	S/N 992246+	
6.	326-454D83	REAR BRACE RCF2060 RED	S/N 992246+	
6.	326-454D84	REAR BRACE RCF2060 BLUE	S/N 992246+	
6.	326-454D85	REAR BRACE RCF2060 BLACK	S/N 992245-	
6.	326-430D	REAR BRACE RCF2072	Beige	
6.	326-430D81	REAR BRACE RCF2072 GREEN	S/N 992246+	
6.	326-430D82	REAR BRACE RCF2072 ORANGE	S/N 992246+	
6.	326-430D83	REAR BRACE RCF2072 RED	S/N 992246+	
6.	326-430D84	REAR BRACE RCF2072 BLUE	S/N 992246+	
6.	326-430D85	REAR BRACE RCF2072 BLACK	S/N 992245-	
7.	326-546D	BSH 1.12ODX.69IDX.55L		
8.	327-182S	DRIVELINE HANGER W/HARDWARE	(S/N 1056298+) (RCF2072 S/N 1074545+)	
8.	327-143S	DRIVELINE HOLDER W/HARDWARE	(S/N 1056297-) (RCF2072 S/N 1074545-)	
9.	327-187H	WLDMT. GAUGE WHEEL MAINFRAME	(For RCF2060 S/N 1181911+) (For RCF2072 S/N 1181885+)	
9.	326-146H	WLDMT. GAUGE WHEEL MAINFRAME	(For RCF2060 S/N 1181910-) (For RCF2072 S/N 1181884-)	
10.	800-080C	GREASE ZERK 1/4-28 THD FORMING		
11.	802-012C	HHCS 5/16-18X1 1/2 GR5	(S/N 1056298+) (RCF2072 S/N 1074545+)	
11.	802-010C	HHCS 5/16-18X1 1/4 GR5	(S/N 1056297-) (RCF2072 S/N 1074545-)	
12.	802-055C	HHCS 5/8-11X2 GR5		
13.	802-138C	HHCS 5/16-18X2 1/4 GR5		
14.	802-192C	HHCS 3/4-10X4 1/2 GR5	S/N 998062+	
14.	802-068C	HHCS 3/4-10X4 GR5	S/N 998061-	
15.	802-453C	RHSNB 3/8-16X1 1/2 GR5		
16.	802-464C	RHSNB 5/8-11X1 1/2 GR5 PLT		
17.	803-077C	RPBY 803-026C	Obsolete (S/N 979509+)	
17.	803-181C	NUT HEX FLANGE LOCK 3/4-10 PLT	S/N 979508-	
18.	803-148C	NUT HEX NYLOCK 5/8-11 PLT		
19.	803-177C	NUT HEX FLG TP LK 5/16-18ZNYCR		
20.	803-198C	NUT HEX WHIZ 3/8-16 PLT		
21.	803-263C	NUT HEX FLANGE LOCK 5/8-11 PLT		
22.	803-271C	NUT HEX TOP LOCK 5/8-11 PLT		
23.	804-010C	WASHER FLAT 5/16 USS PLT	(S/N 1056298+) (RCF2072 S/N 1074545+)	
24.	804-019C	WASHER FLAT 5/8 USS PLT		
25.	804-036C	WASHER FLAT 5/16 SAE PLT		
26.	805-015C	PIN LINCH 5/16 X 1 3/4		
27.	805-041C	PIN ROLL 1/4X1 3/4		
28.	805-143C	PIN HAIR COTTER .120 PLT		
29.	805-207C	PIN CLVS HDLS .88X4.45 USBL		

Hitch and Gauge Wheel Mount 961387+ (continued)

Applies to RCF2060, RCF2072

Ref	Part No.	Part Description	Comments	Revision
30.	805-228C	PIN CLVS .75X3.94 USBL		
31.	807-350C	SPRING TORSION DRVLN HLDER		
32.	812-500C	FLOAT TOP HITCH CAST DUCTILE		
33.	837-062C	DRIVELINE HOOK		
34.	837-063C	MOUNT DRIVELINE HOOK		
35.	327-763D	SHIELD UPPER RH	S/N 1341733+ Include decal 858-148C see decal placement	
36.	327-764D	SHIELD UPPER LH	S/N 1341733+ Include decal 858-148C see decal placement	

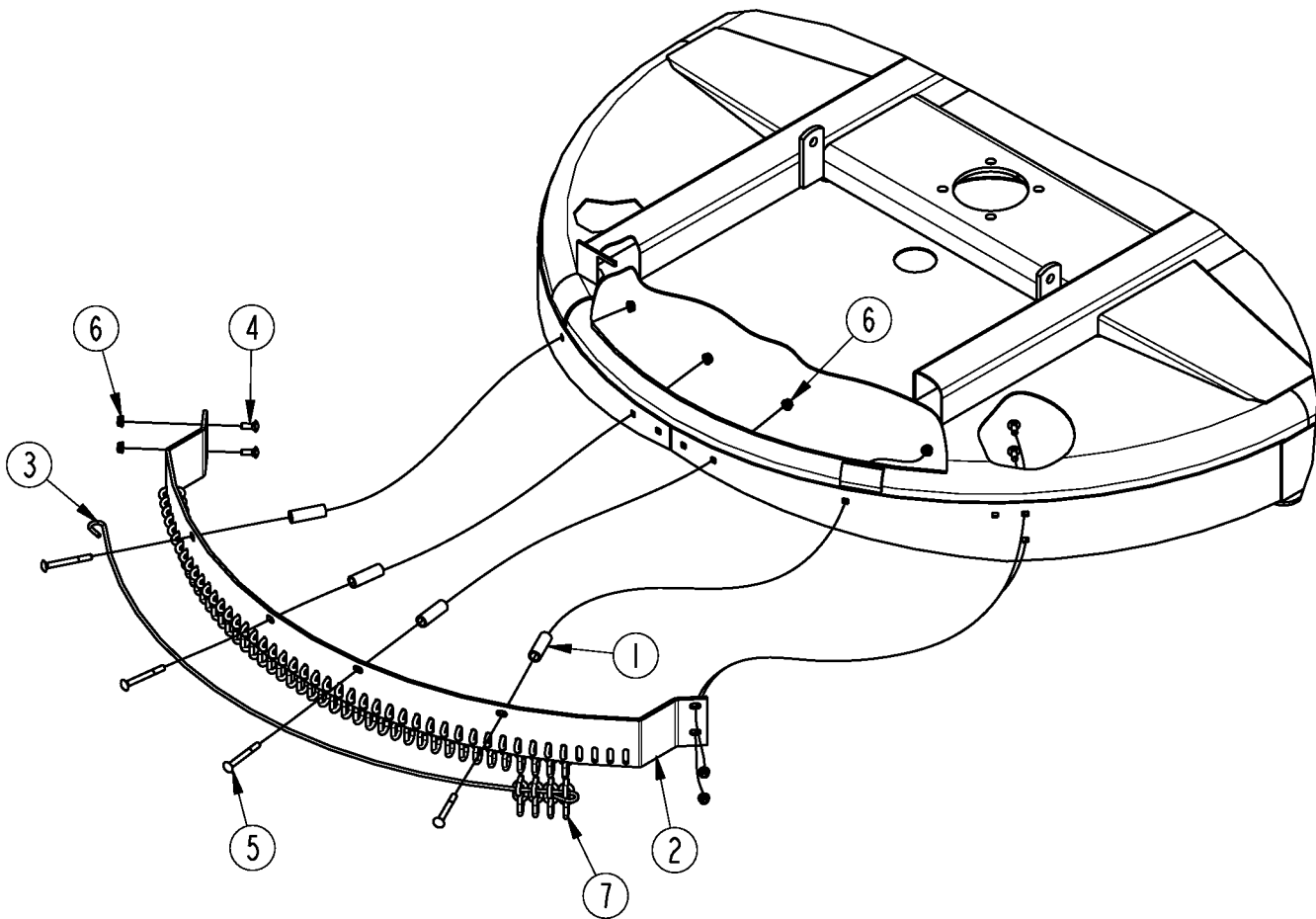
Hitch and Gauge Wheel Mount 961387+ (continued)

Applies to RCF2060, RCF2072

This Page Intentionally Left Blank

Rear Chain Guard

Applies to RCF2060, RCF2072



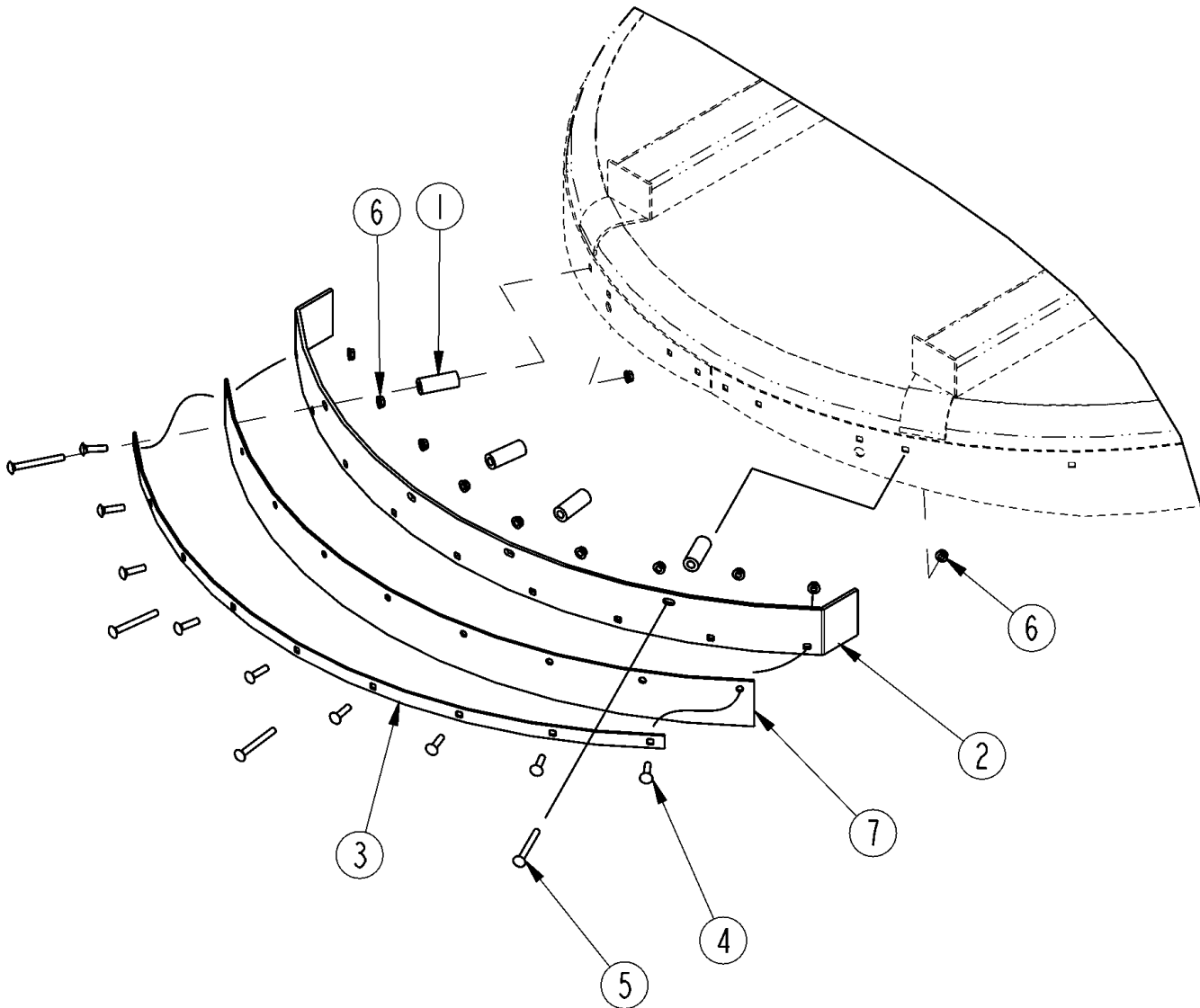
21410

Rear Chain Guard**Applies to RCF2060, RCF2072**

Ref	Part No.	Part Description	Comments	Revision
	Dwg 21410	Drawing Image Number		
	312-834A	REAR CHAIN GUARD COMPLETE	RCR1860 & RCF2060	
	312-842A	REAR CHAIN GUARD COMPLETE *	RCR1872 & (RCF2072 S/N 428178+)	
1.	312-948D	DEFLECTOR SPACER		
2.	326-181D	REAR CHAINGUARD BRACKET	RCR1860 RCF2060 (Part redesigned at S/N 1073428+ for RCR1860 and S/N 1073557+ for RCF2060)	
2.	326-212D	REAR CHAIN GUARD BRACKET	RCR1872 & (RCF2072 S/N 428178+) (Part redesigned at S/N 1074064+ for RCR1872 and S/N 1073989+ for RCF2072)	
2.	326-186D	REAR CHAINGUARD BRACKET	RCR1872 S/N 428177-	
3.	326-182D	CHAIN ROD 1/4 X 56	RCR1860 & RCF2060	
3.	326-213D	CHAIN ROD 1/4 X 65	RCR1872 & RCF2072	
4.	802-015C	RHSNB 3/8-16X1 GR5	S/N_____+	
5.	802-647C	RHSNB 3/8-16X3 1/2 GR5		
6.	803-198C	NUT HEX WHIZ 3/8-16 PLT		
7.	890-485C	CHAIN WELD 5/16 PROOF X 3 LINKS		

Rear Rubber Guard

Applies to RCF2060, RCF2072



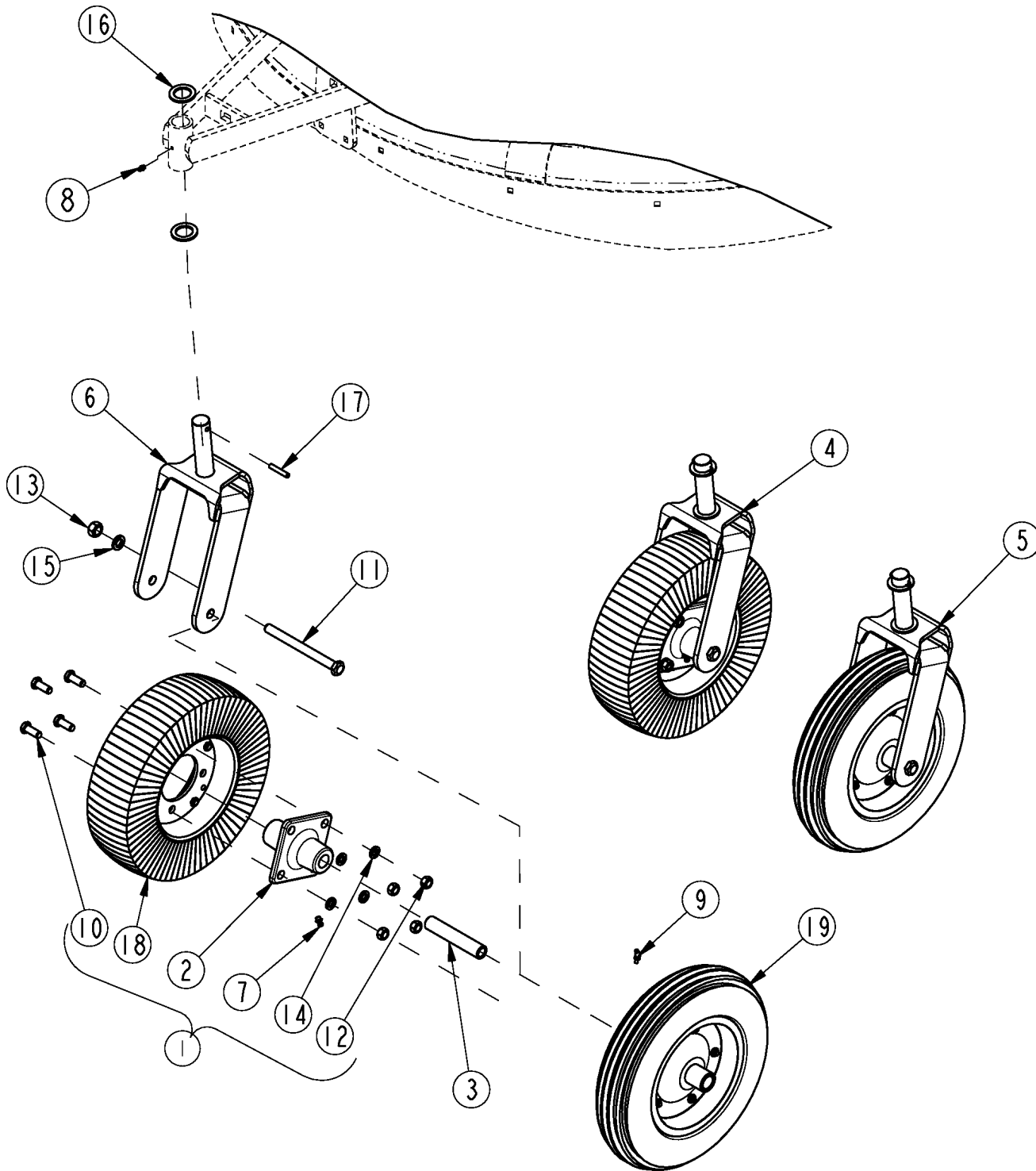
21412

Rear Rubber Guard**Applies to RCF2060, RCF2072**

Ref	Part No.	Part Description	Comments	Revision
	Dwg 21412	Drawing Image Number		
	312-652A	RCR1860 REAR RUBBER ASSY.		
	312-651A	RCR1872 REAR RUBBER ASSY. *		
1.	312-948D	DEFLECTOR SPACER		
2.	312-952D	REAR RUBBER DEF. RCR15 & 1660	RCR1860 RCF2060	
2.	312-949D	REAR RUBBER DEF. RCR15 & 1672	RCR1872 RCF2072	
3.	312-953D	DEFLECTOR STRAP RCR15 & 1660	RCR1860 RCF2060	
3.	312-950D	DEFLECTOR STRAP RCR15 & 1672	RCR1872 RCF2072	
4.	802-453C	RHSNB 3/8-16X1 1/2 GR5		
5.	802-647C	RHSNB 3/8-16X3 1/2 GR5		
6.	803-198C	NUT HEX WHIZ 3/8-16 PLT		
7.	816-310C	RUBBER DEFLECTOR RCR15 & 1660	RCR1860 RCF2060	
7.	816-309C	RUBBER DEFLECTOR RCR15 & 1672	RCR1872 RCF2072	

Tail Wheel and Yoke

Applies to RCF2060, RCF2072



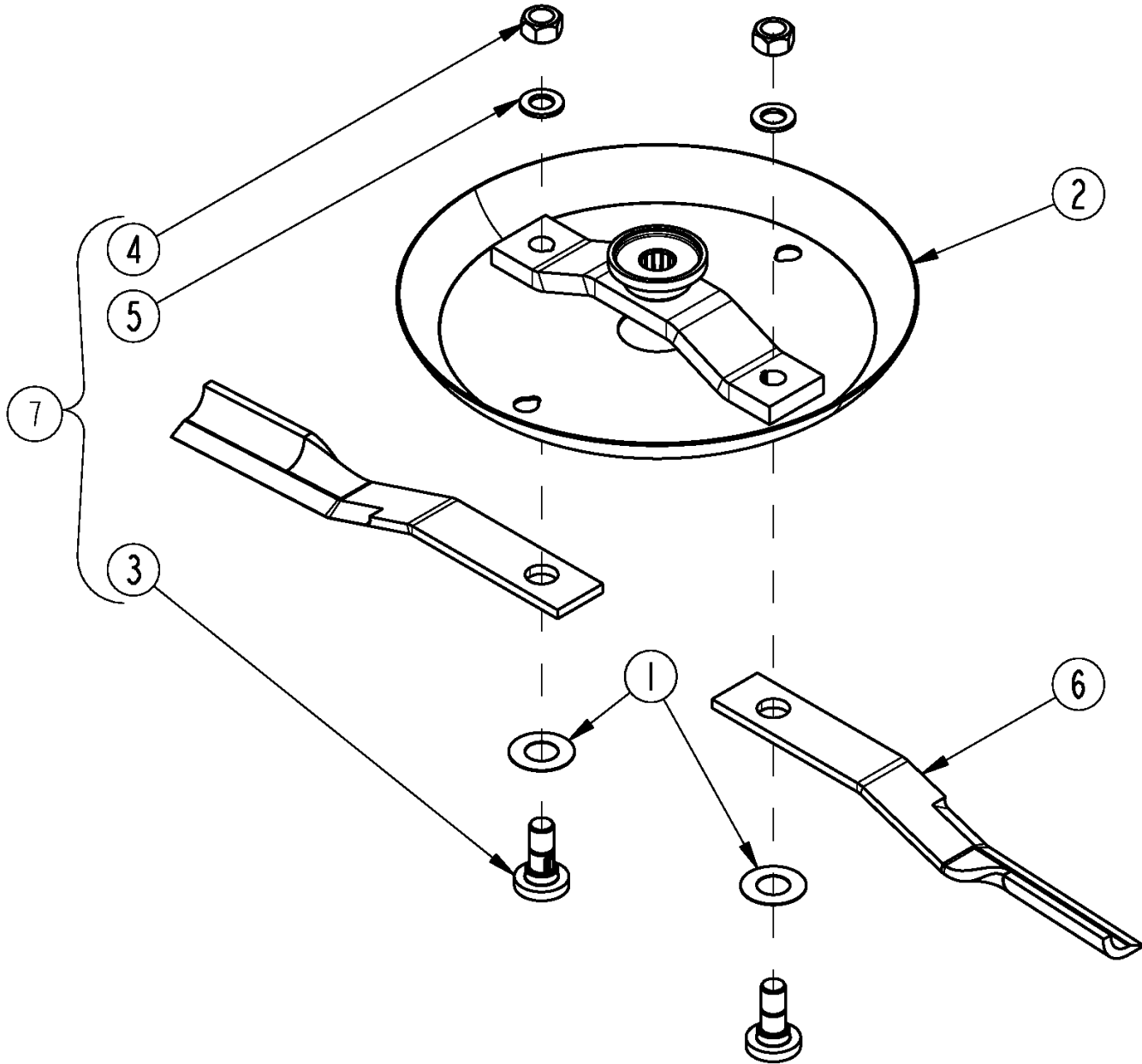
21414

Tail Wheel and Yoke**Applies to RCF2060, RCF2072**

Ref	Part No.	Part Description	Comments	Revision
	dwg21414	Drawing Image Number		
1.	312-008S	TAILWHEEL HUB AND WHEEL ASSY		
2.	312-020D	TAILWHEEL HUB		
3.	312-021D	TUBE 1 OD X 5/32 WL X 5 3/8 LG		
4.	312-553A	LAMINATED TIRE/WHEEL & YOKE		
5.	312-554A	RUBBER TIRE/WHEEL & YOKE		
6.	326-668H	WMT, TAILWHEEL	S/N 810210+	
6.	312-561H	RPBY 326-668H	S/N 810209-	
7.	09-014	ZERK, M8X1 GREASE	S/N 674390+	
7.	800-080C	GREASE ZERK 1/4-28 THD FORMING	S/N 674389-	
8.	800-080C	GREASE ZERK 1/4-28 THD FORMING		
9.	800-316C	GREASE ZERK 1/4-28 X 45-DEG LG		
10.	802-034C	HHCS 1/2-13X1 1/4 GR5		
11.	802-262C	HHCS 5/8-11X7 GR5		
12.	803-020C	NUT HEX 1/2-13 PLT		
13.	803-021C	NUT HEX 5/8-11 PLT		
14.	804-015C	WASHER LOCK SPRING 1/2 PLT		
15.	804-022C	WASHER LOCK SPRING 5/8 PLT		
16.	804-062C	WASHER MACH 1.88 X 1.25 X 10GA		
17.	805-177C	PIN ROLL 5/16 X 1 3/4 PLT		
18.	814-058C	TIRE & WHEEL LAMINATED 4.0 X 8		
19.	814-065C	WHL&SOLID RBR TIRE 4 X 16		

Blade Carrier

Applies to RCF2060, RCF2072



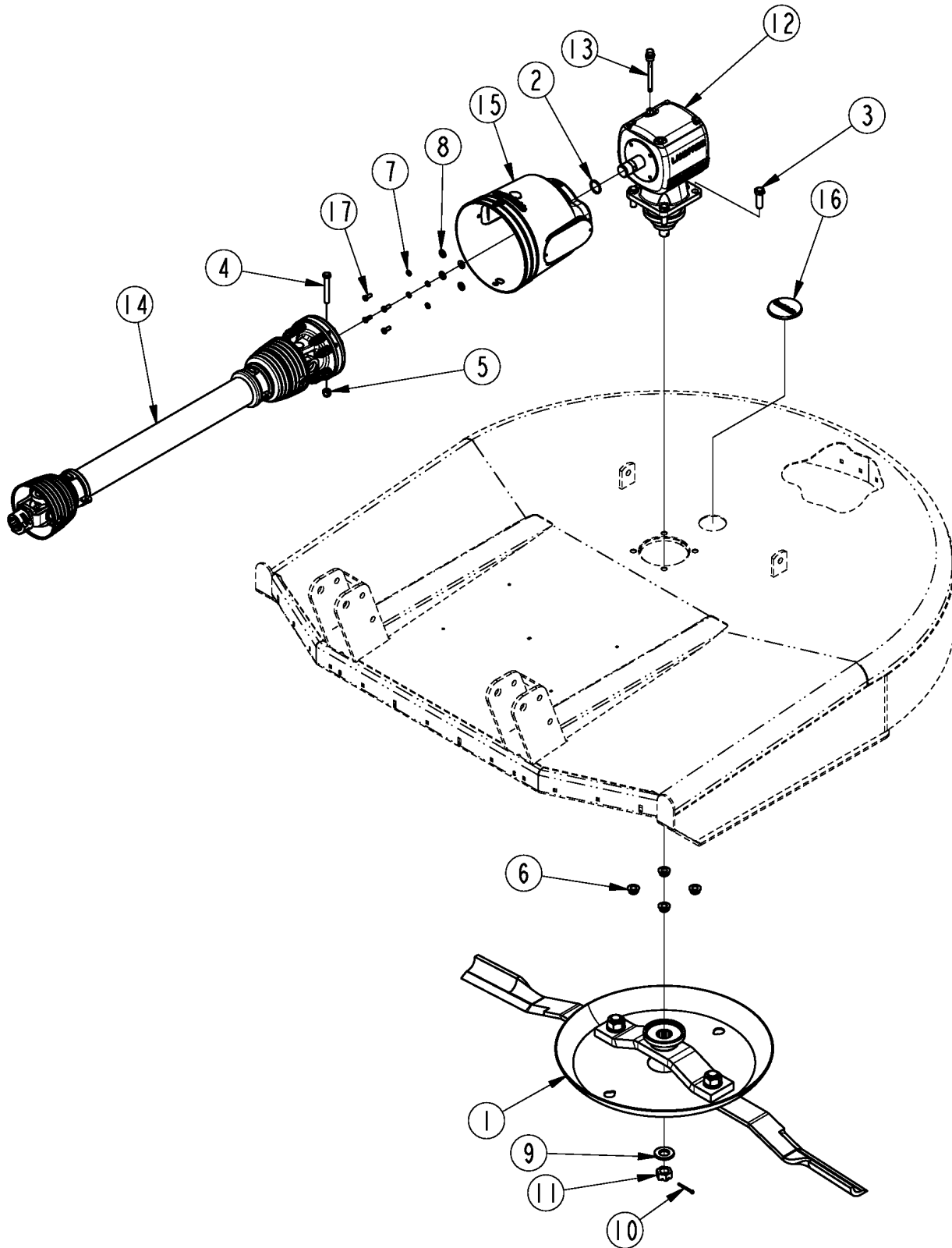
30270

Blade Carrier**Applies to RCF2060, RCF2072**

Ref	Part No.	Part Description	Comments	Revision
	Dwg 30270	Drawing Image Number		
1.	312-082D	RPBY 312-808D QTY 2	As Required S/N 776426-	
1.	312-075D	BLADE SPACER 16 GA. .064 THICK	As Required S/N 776426-	
1.	312-089D	BLADE SPACER 20 GA. .0.04 THICK	As Required S/N 776426-	
1.	312-808D	BLADE SPACER 24GA. .0.03 THICK	As Required S/N 776426-	
2.	312-815H	15 DISHPAN WLDMT SM.HUB(COMER)	RCF2060	
2.	326-804H	30RND DSHPN WMT 19C/C S-HB-CO	S/N 1055651+ RCF2072	
2.	312-841H	WLDMT 15" DISHPAN SM. HUB COME	S/N 1055650- RCF2072	
3.	802-277C	BLADE BOL 1 1/8-12X3 7/16 W/KY		
4.	803-170C	NUT HEX TOP LOCK 1 1/8-12 PLT.		
5.	804-147C	WASHER FLAT 1" HARDENED		
6.	820-198C	CUTTER BLADE 1/2 X3X25 CCW	60" Unit	
6.	820-566C	CUTTER BLADE 1/2X3X29 CCW	S/N 1055651+ 72" Unit	
6.	820-199C	CUTTER BLADE 1/2 X3X31 CCW	S/N 1055650- 72" Unit	
7.	318-586A	BLADE BOLT KIT	Item 1 not included	

Blade Drive

Applies to RCF2060, RCF2072



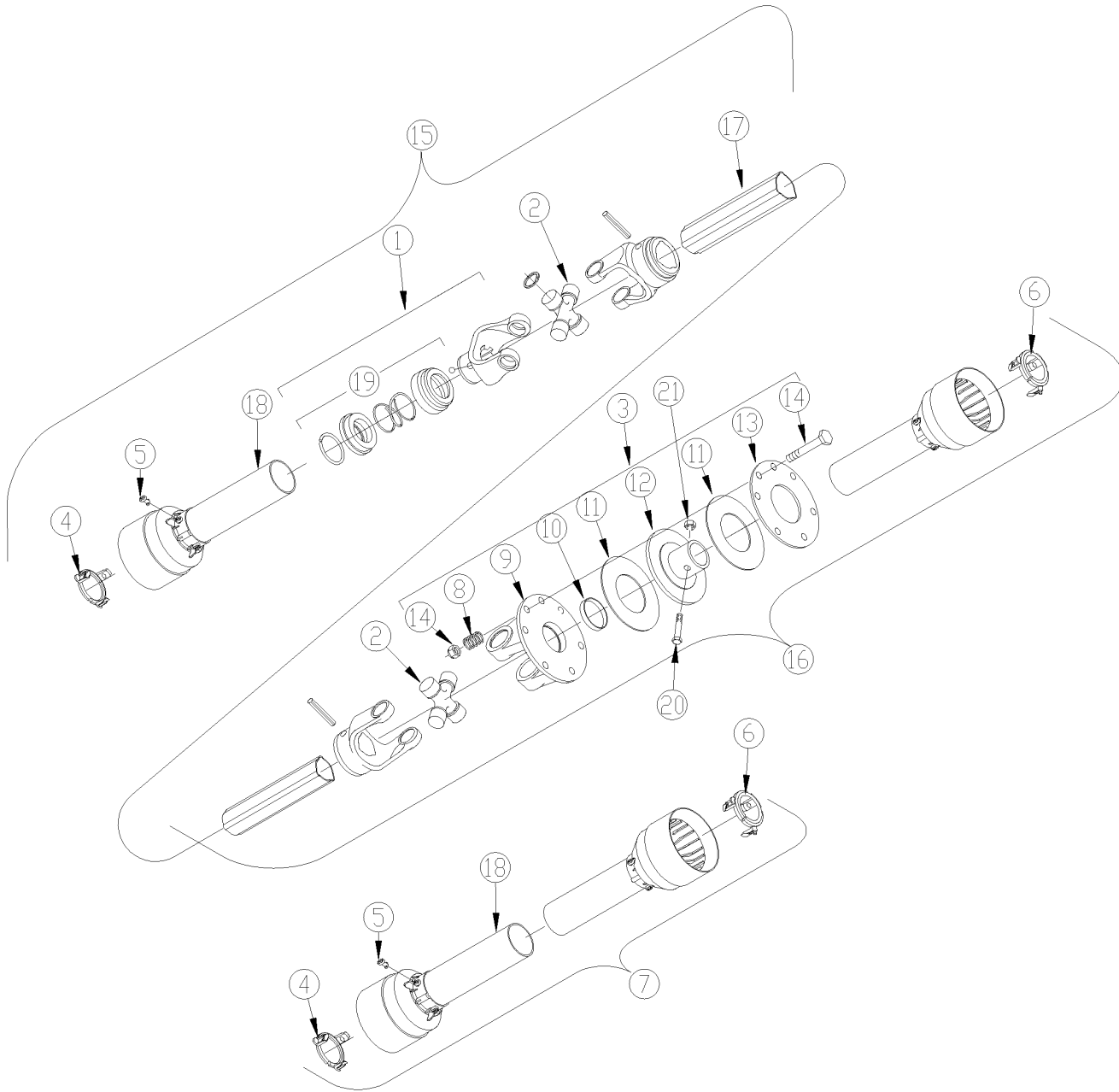
30915

Blade Drive**Applies to RCF2060, RCF2072**

Ref	Part No.	Part Description	Comments	Revision
	Dwg 30915	Drawing Image Number		
1.		SEE BLADE CARRIER FOR COMPONENTS	RCF2060	
1.		SEE BLADE CARRIER FOR COMPONENTS	RCF2072	
2.	800-079C	SNAP RING EXT 1 3/8 5100-137		
3.	802-055C	HHCS 5/8-11X2 GR5		
4.	802-265C	HHCS 1/2-13X3 1/2 GR8	Slip Clutch Driveline	
4.	802-264C	HHCS 1/2-13X3 1/2 GR2	Shear Bolt Driveline	
5.	803-147C	NUT HEX NYLOCK 1/2-13	S/N 758940+ (Nut & jam nut combination was used at S/N 758939 and below)	
6.	803-263C	NUT HEX FLANGE LOCK 5/8-11 PLT		
7.	804-009C	WASHER LOCK SPRING 5/16 PLT		
8.	804-010C	WASHER FLAT 5/16 USS PLT		
9.	804-070C	FLAT WASHER 1 SPECIAL		
10.	805-017C	PIN COTTER 3/16 X 1 3/4 PLT		
11.	8.2.2.00515	CO NUT, CASTLE M24 X 2		
12.	826-383C	GBOX RC16 1.38 RD.1:1.93 STD.	RCF2060	
12.	826-384C	GBOX RC16 1.38 RD.1:1.47 STD.	RCF2072	
13.	826-491C	COMER U0.209.7101.00 DIPSTICK		
14.	312-026A	DRIVELINE CAT.3 X 38 CLUTCH	RCF2060	
14.	826-657C	RPBY 312-026A	RCF2060 (Obsolete)	
14.	312-025A	DRIVELINE CAT.3 X 38 S/B	RCF2060	
14.	826-661C	RPBY 312-025A	RCF2060 (Obsolete)	
14.	312-728A	DRIVELINE CAT.3 X 43 CLUTCH	RCF2072	
14.	826-656C	RPBY 312-728A	RCF2072 (Obsolete)	
14.	312-732A	DRIVELINE CAT.3 X 43 SB	RCF2072	
14.	826-660C	RPBY 312-732A	RCF2072 (Obsolete)	
15.	837-101C	LAND PRIDE CONE		
15.	826-240C	SMALL SHAFT CONE W ACCESS DOOR	This cone has been replaced with 837-101C	
16.	840-273C	PLUG LP 3" ID RUBBER		
17.	842-243C	HHCS M8X1.25X20 GR8.8 THD-LCK		
17.	801-238C	RPBY 842-243C	S/N 781788+	
17.	802-314C	HHCS M8X1.25X20 GR8.8	S/N 781787-	

Driveline (826-656C & 312-728A) Comer

Applies to RCF2072



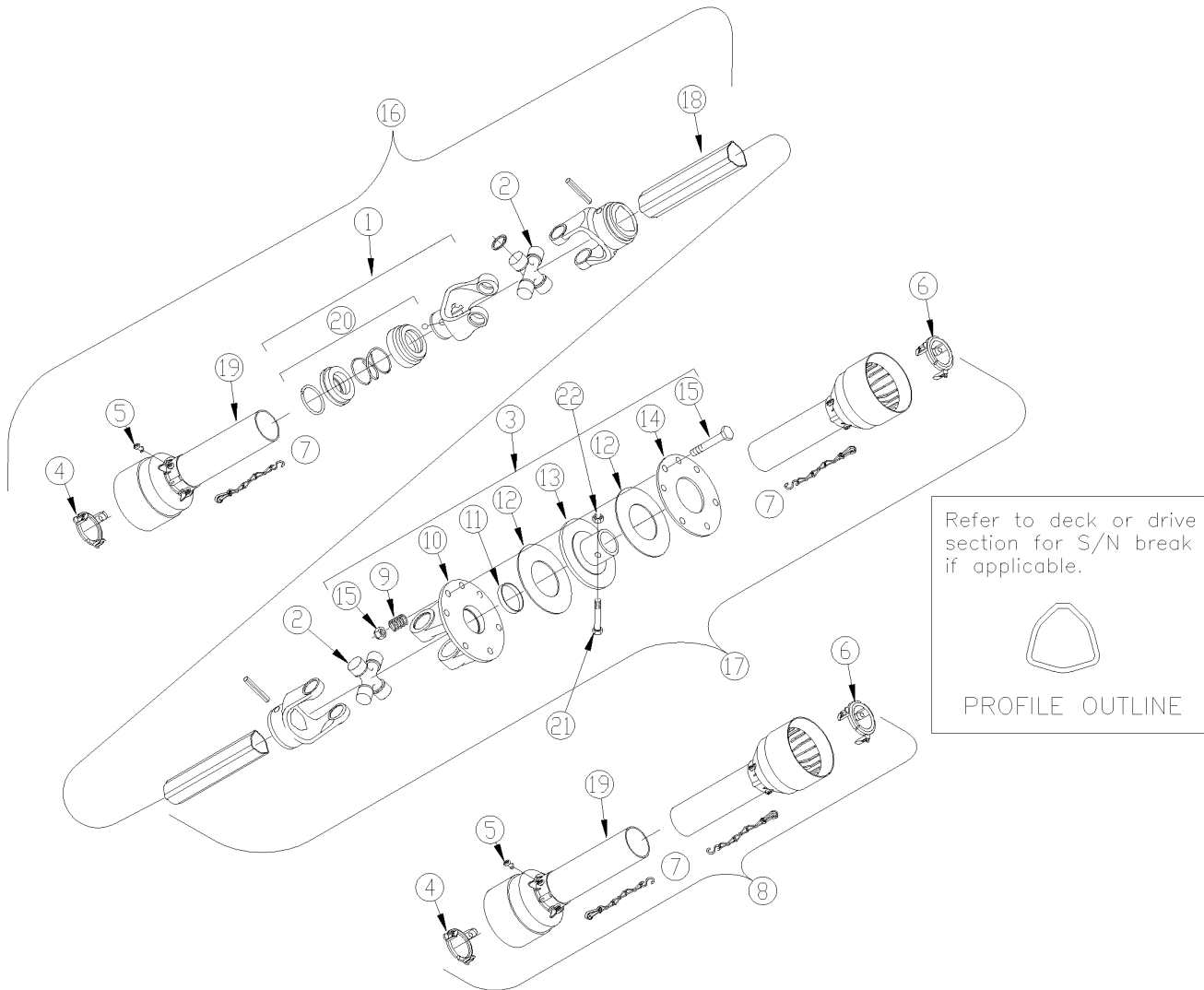
30205

Driveline (826-656C & 312-728A) Comer**Applies to RCF2072**

Ref	Part No.	Part Description	Comments	Revision
	Dwg 30205	Drawing Image Number		
	312-728A	DRIVELINE CAT.3 X 43 CLUTCH		
	826-656C	RPBY 312-728A	Obsolete	
		*		
1.	141.024.430.1	CO COMPLETE COLLAR YOKE C12		
2.	180.014.130	CO CROSS JOURNAL SET		
3.	8146.241.040.1	CO FRICTION CLUTCH		
4.	8180.014.233	RPBY 180.014.233	Obsolete	
5.	8180.014.240	COMER BOLT		
6.	8180.014.232	RPBY 180.014.232	Obsolete	
7.	81422404827421	CO COMPLETE GRD W/ INSTR MNL		
8.	180.014.022	COMER SPRING		
9.	151.014.232.1	CO FLANGED YOKE		
10.	180.015.020	COMER BUSH		
11.	180.015.019	COMER LINING RING		
12.	151.014.542.1	CO HUB F10		
13.	180.015.021.1	CO PRESSURE PLATE		
14.	165.000.501	COMER NUT & BOLT M10X80		
15.	8123.340.347.11	CO FEMALE HALF SHFT W/ GRDNG		
16.	8123.440.693.11	CO MALE HALF SHFT W/ GRDNG		
17.	190.000.098	COMER DANGER LABEL OUTER TUBE		
18.	190.000.099	COMER DANGER LABEL GUARD OUTER		
19.	165.000.628	COMER COLLOR KIT 1-3/8 YOKE		
20.	802-265C	HHCS 1/2-13X3 1/2 GR8		
21.	803-147C	NUT HEX NYLOCK 1/2-13		

Driveline (826-657C & 312-026A) Comer

Applies to RCF2060



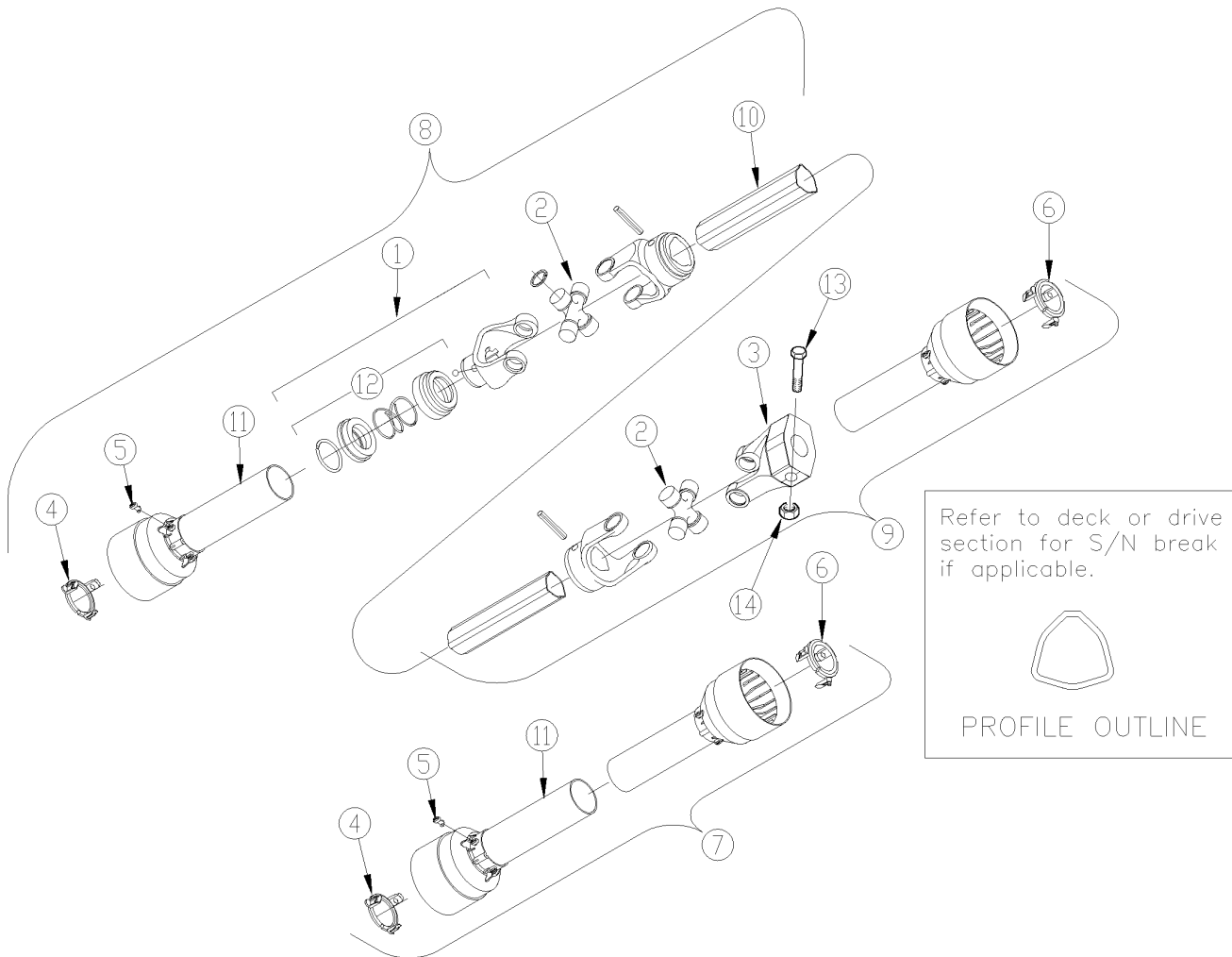
30203

Driveline (826-657C & 312-026A) Comer**Applies to RCF2060**

Ref	Part No.	Part Description	Comments	Revision
	Dwg 30203 826-657C	Drawing Image Number RPBY 312-026A *	Obsolete	
1.	141.024.430.1	CO COMPLETE COLLAR YOKE C12		
2.	180.014.130	CO CROSS JOURNAL SET		
3.	8146.241.040.1	CO FRICTION CLUTCH		
4.	8180.014.233	RPBY 180.014.233	Obsolete	
5.	8180.014.240	COMER BOLT		
6.	8180.014.232	RPBY 180.014.232	Obsolete	
7.	044321	DRIVELINE SHIELD SAFETY CHAIN	S/N 946472-	
8.	1422404527421	CO COMPLETE GRD W/ INSTR MNL		
9.	180.014.022	COMER SPRING		
10.	151.014.232.1	CO FLANGED YOKE		
11.	180.015.020	COMER BUSH		
12.	180.015.019	COMER LINING RING		
13.	151.014.542.1	CO HUB F10		
14.	180.015.021.1	CO PRESSURE PLATE		
15.	165.000.501	COMER NUT & BOLT M10X80		
16.	8123.340.277.11	CO FEMALE HALF SHFT W/ GRDNG		
17.	8123.440.666.11	CO MALE HALF SHFT W/ GRDNG		
18.	190.000.098	COMER DANGER LABEL OUTER TUBE		
19.	190.000.099	COMER DANGER LABEL GUARD OUTER		
20.	165.000.628	COMER COLLOR KIT 1-3/8 YOKE		
21.	802-265C	HHCS 1/2-13X3 1/2 GR8		
22.	803-147C	NUT HEX NYLOCK 1/2-13		

Driveline (826-660C & 312-732A) Comer

Applies to RCF2072

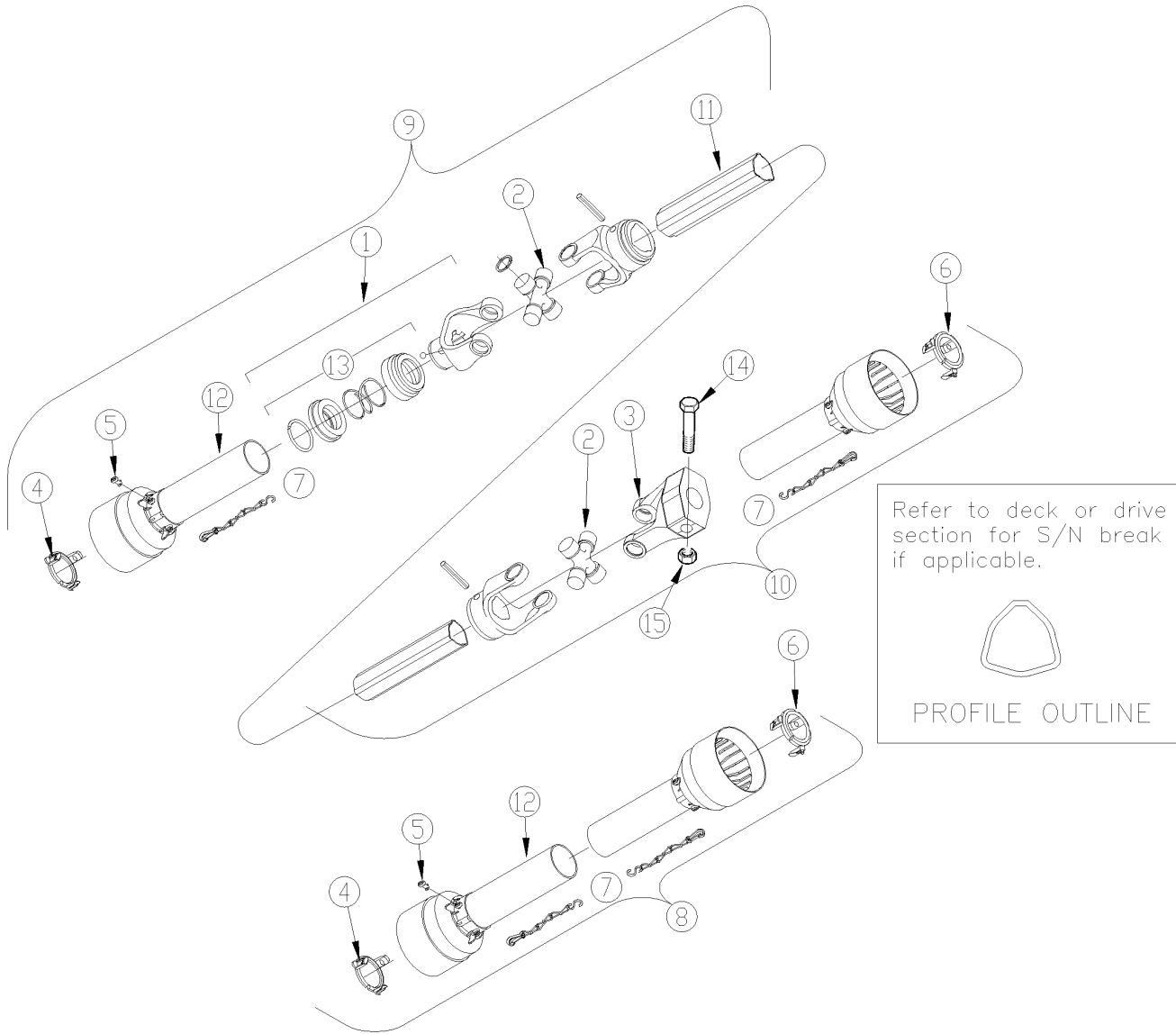


Driveline (826-660C & 312-732A) Comer**Applies to RCF2072**

Ref	Part No.	Part Description	Comments	Revision
	Dwg 30206 826-660C	Drawing Image Number RPBY 312-732A *	Obsolete	
1.	141.024.430.1	CO COMPLETE COLLAR YOKE C12		
2.	180.014.130	CO CROSS JOURNAL SET		
3.	8141.024.538.1	CO YOKE		
4.	8180.014.233	RPBY 180.014.233	Obsolete	
5.	8180.014.240	COMER BOLT		
6.	8180.014.232	RPBY 180.014.232	Obsolete	
7.	8142.2404957421	CO GUARD W/INSTRUCTION MANUAL		
8.	8123.340.366.11	CO HALF FEMALE SFT W/GUARDING		
9.	8123.440.719.11	CO HALF MALE SFT W/GUARDING		
10.	190.000.098	COMER DANGER LABEL OUTER TUBE		
11.	190.000.099	COMER DANGER LABEL GUARD OUTER		
12.	165.000.628	COMER COLLOR KIT 1-3/8 YOKE		
13.	802-264C	HHCS 1/2-13X3 1/2 GR2		
14.	803-147C	NUT HEX NYLOCK 1/2-13		

Driveline (826-661C & 312-025A) Comer

Applies to RCF2060



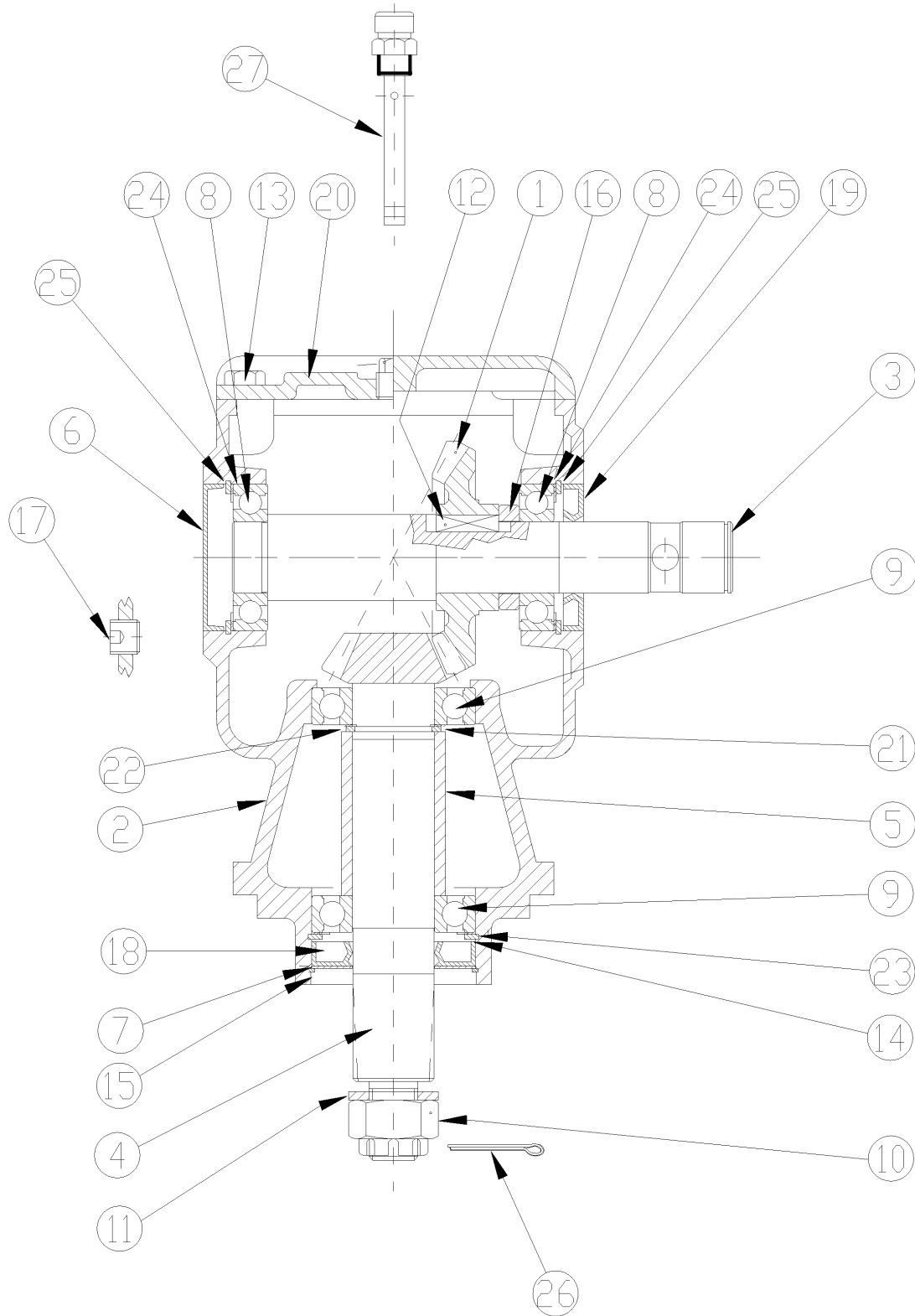
30204

Driveline (826-661C & 312-025A) Comer**Applies to RCF2060**

Ref	Part No.	Part Description	Comments	Revision
	Dwg 30204 826-661C	Drawing Image Number RPBY 312-025A *	Obsolete	
1.	141.024.430.1	CO COMPLETE COLLAR YOKE C12		
2.	180.014.130	CO CROSS JOURNAL SET		
3.	8141.024.538.1	CO YOKE		
4.	8180.014.233	RPBY 180.014.233	Obsolete	
5.	8180.014.240	COMER BOLT		
6.	8180.014.232	RPBY 180.014.232	Obsolete	
7.	044321	DRIVELINE SHIELD SAFETY CHAIN	S/N 946472-	
8.	142.240.4637421	CO GUARD W/INSTRUCTION MANUAL		
8.	1422404637421	RPBY 142.240.4637421		
9.	8123.340.277.11	CO FEMALE HALF SHFT W/ GRDNG		
10.	8123.440.667.11	CO MALE HALF SHFT W/ GRDNG		
11.	190.000.098	COMER DANGER LABEL OUTER TUBE		
12.	190.000.099	COMER DANGER LABEL GUARD OUTER		
13.	165.000.628	COMER COLLOR KIT 1- 3/8 YOKE		
14.	802-264C	HHCS 1/2-13X3 1/2 GR2		
15.	803-147C	NUT HEX NYLOCK 1/2-13		

Gearbox (826-383C)

Applies to RCF2060



21448

Gearbox (826-383C)**Applies to RCF2060**

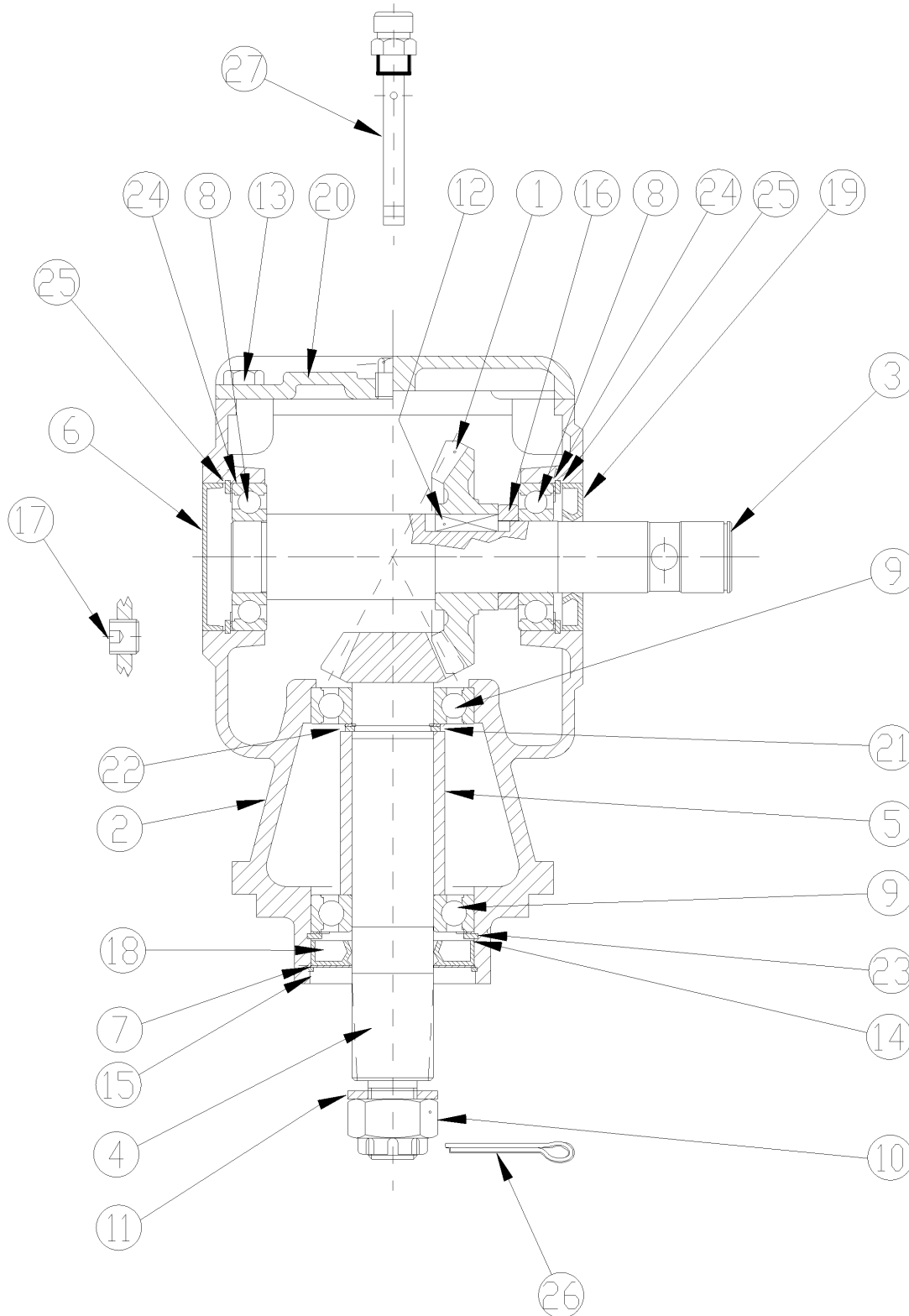
Ref	Part No.	Part Description	Comments	Revision
	Dwg 21448	Drawing Image Number		
	826-383C	Gearbox		
1.	0.135.5000.00	CO GEAR Z23 M5		
2.	0.209.0300.00	CO CASTING		
3.	0.209.2000.00	CO INPUT SHAFT 1.38 SMOOTH		
4.	0.135.6008.00	CO PINION Z12 M5		
5.	0.135.7105.00	CO SPACER		
6.	8.7.0.00744	CO CAP 72 X 10		
7.	1.135.7100.00	CO WASHER PROTECTIVE		
8.	822-166C	BEARING BALL 6207		
9.	822-188C	BALL BEARING 6208		
10.	8.2.2.00515	CO NUT, CASTLE M24 X 2		
11.	8.3.2.00409	CO FLAT WASHER 25 X 44 X 4		
12.	8.4.1.00993	CO PARALLEL KEY B 10 X 8 X 30		
13.	8.1.1.00501	CO BOLT M10X22 HHB		
14.	8.5.2.00030	CO SNAP RING 80 UNI 7437		
15.	8.5.3.00955	CO SNAP RING SB 81		
16.	0.209.7100.00	CO SPACER		
17.	8.6.6.00201	CO PLUG 3/8 GAS		
18.	8.7.1.00748	CO DOUBLE LIP SEAL 40X80X12		
19.	8.7.3.00055	CO OIL SEAL 35 X 72 X 10		
20.	0.209.1300.00	CO COVER		
21.	A244.501	CO SHIM 40.3 X 51.5 826-067C		
22.	8.5.1.00680	CO SNAP RING 40 UNI 7436		
23.	0.267.7500.00	CO SHIM 79.9		
24.	A.248.500	COMER SHIM KIT 71.7		
25.	8.5.2.00131	CO SNAP RING INT 72 UN17437		
26.	8.4.7.00516	CO COTTER PIN B5 X 50		
27.	0.209.7101.00	CO 3/8 GAS OIL LEVEL BREATHER		

*

Notes: Oil Type 80-90W Capacity 4.5 Pints

Gearbox (826-384C)

Applies to RCF2072



21449

Gearbox (826-384C)**Applies to RCF2072**

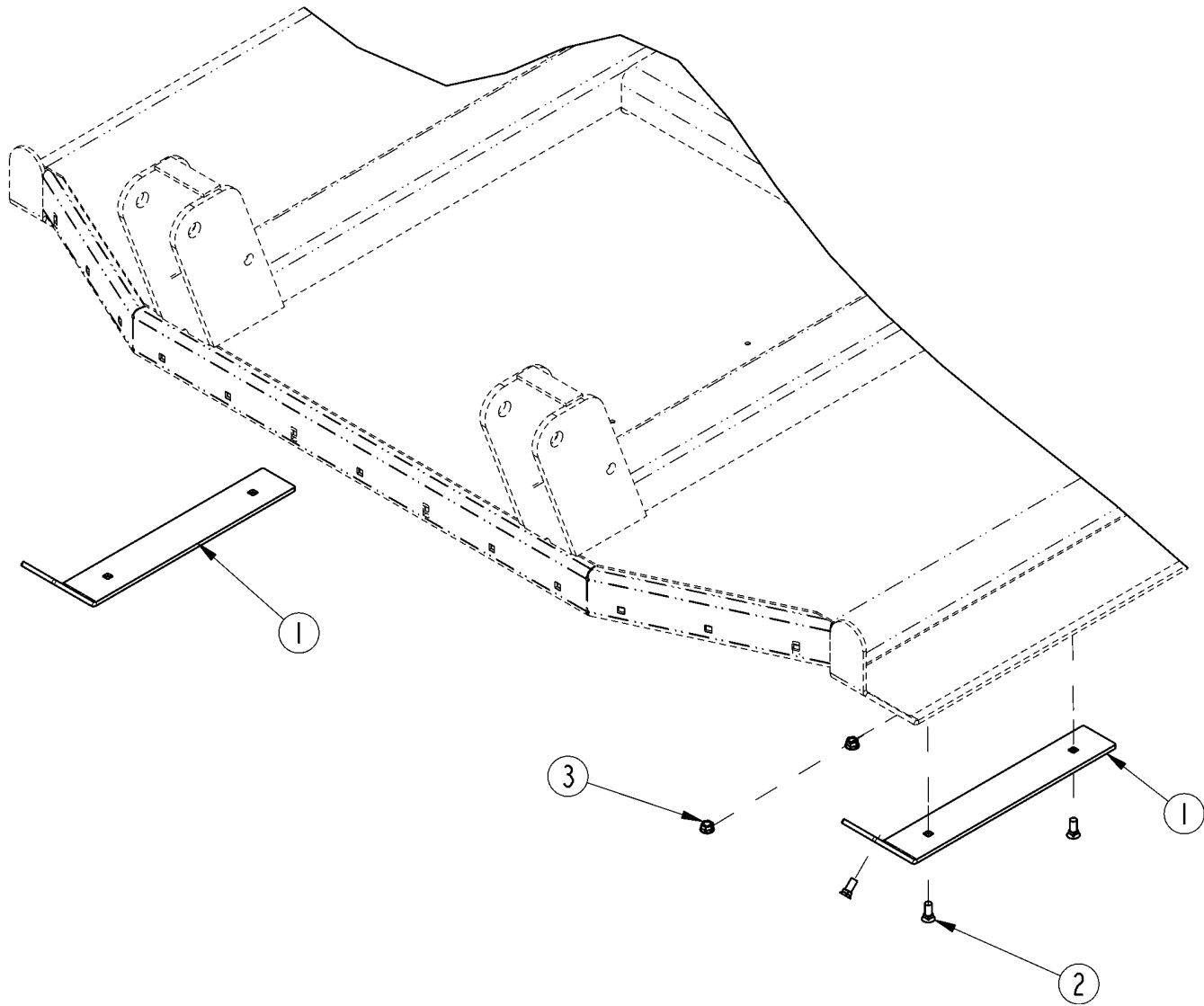
Ref	Part No.	Part Description	Comments	Revision
	dwg21449	Drawing Image Number		
	826-384C	Gearbox		
1.	0.131.5000.00	CO CROWN GEAR Z22 M5		
2.	0.209.0300.00	CO CASTING		
3.	0.209.2000.00	CO INPUT SHAFT 1.38 SMOOTH		
4.	0.135.6201.00	CO PINION Z15 M5		
5.	0.135.7105.00	CO SPACER		
6.	8.7.0.00744	CO CAP 72 X 10		
7.	1.135.7100.00	CO WASHER PROTECTIVE		
8.	822-166C	BEARING BALL 6207		
9.	822-188C	BALL BEARING 6208		
10.	8.2.2.00515	CO NUT, CASTLE M24 X 2		
11.	8.3.2.00409	CO FLAT WASHER 25 X 44 X 4		
12.	8.4.1.00993	CO PARALLEL KEY B 10 X 8 X 30		
13.	8.1.1.00501	CO BOLT M10X22 HHB		
14.	8.5.2.00030	CO SNAP RING 80 UNI 7437		
15.	8.5.3.00955	CO SNAP RING SB 81		
16.	0.209.7100.00	CO SPACER		
17.	8.6.6.00201	CO PLUG 3/8 GAS		
18.	8.7.1.00748	CO DOUBLE LIP SEAL 40X80X12		
19.	8.7.3.00055	CO OIL SEAL 35 X 72 X 10		
20.	0.209.1300.00	CO COVER		
21.	A244.501	CO SHIM 40.3 X 51.5		
22.	8.5.1.00680	CO SNAP RING 40 UNI 7436		
23.	0.267.7500.00	CO SHIM 79.9		
24.	A.248.500	COMER SHIM KIT 71.7		
25.	8.5.2.00131	CO SNAP RING INT 72 UN17437		
26.	8.4.7.00516	CO COTTER PIN B5 X 50		
27.	0.209.7101.00	CO 3/8 GAS OIL LEVEL BREATHER		

*

Notes: Oil Type 80-90W Capacity 4 Pints

Skid Shoe Kit

Applies to RCF2060, RCF2072



25895

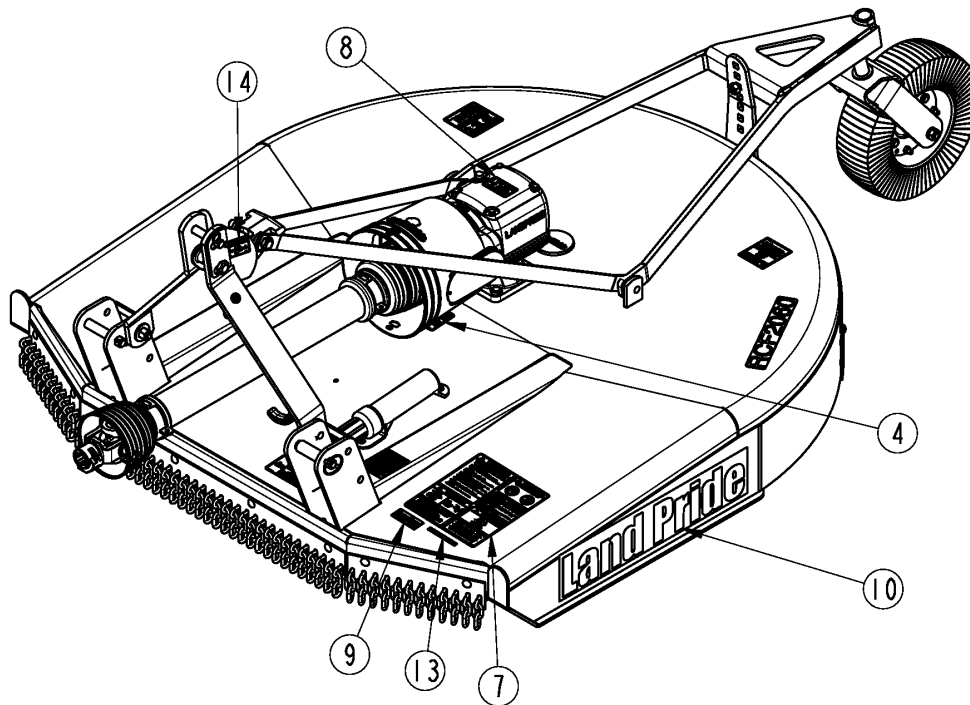
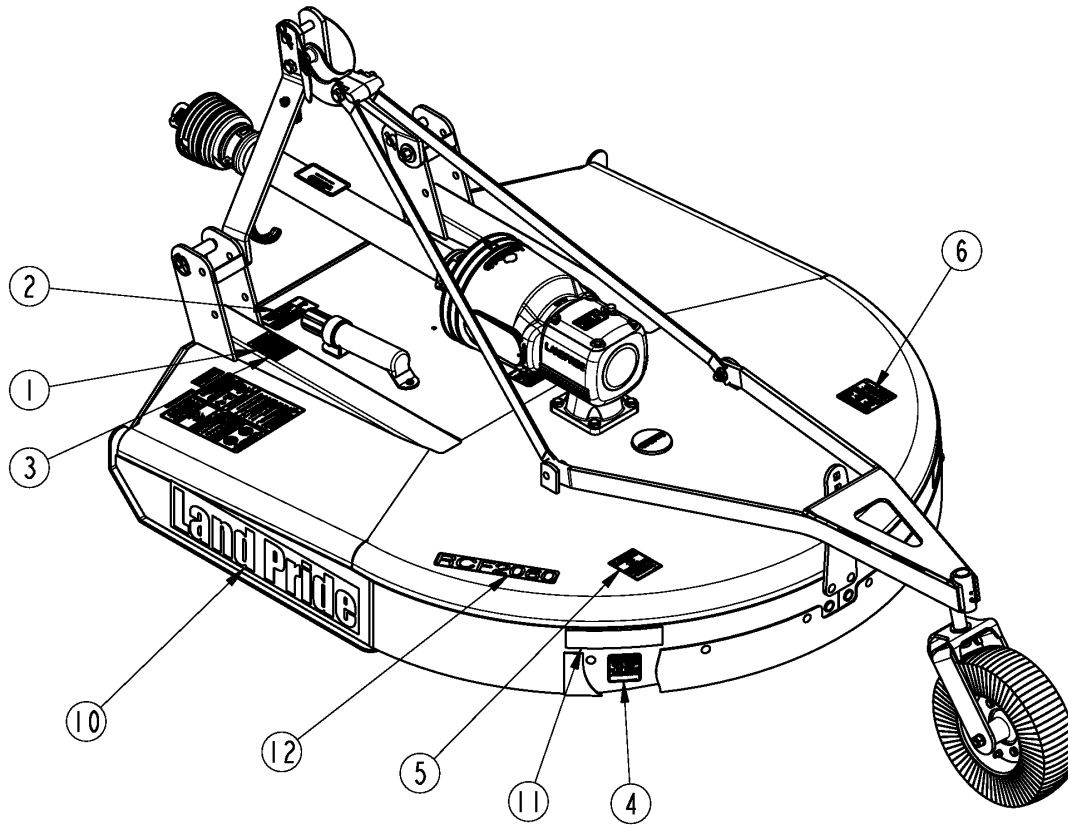
Skid Shoe Kit

Applies to RCF2060, RCF2072

Ref	Part No.	Part Description	Comments	Revision
	dwg25895 326-120A	Drawing Image Number RCR18 SKID SHOE KIT	RCR1860 S/N 571874+ RCR1872 S/N 571210+ & RCR1884 S/N 563801+RCF2060 & RCF2072 Accessory Order Thru Parts Department	
		*		
1.	326-221D	SKID SHOE RCR18		
2.	802-603C	PLOW 3/8-16X1 GR5		
3.	803-198C	NUT HEX WHIZ 3/8-16 PLT		

Decal Placement

Applies to RCF2060, RCF2072



30916

Decal Placement**Applies to RCF2060, RCF2072**

Ref	Part No.	Part Description	Comments	Revision
	Dwg 30916	Drawing Image Number		
1.	818-130C	DECAL WARNING 540 RPM		
2.	818-142C	DECAL DANGER PTO DRIVELINE EN		
3.	N/A			
4.	818-543C	DECAL DANGER PD GUARD MISS SML		
5.	818-556C	DECAL DANGER THROWN OBJ CUTTER		
6.	818-555C	DECAL DANGER ROTATE BLADE		
6.	818-564C	RPBY 818-555C	Obsolete	
7.	818-830C	DECAL SAFETY COMBO SUNWEST	S/N 1560524-	
7.	844-190C	DECAL SINGLE DECK SAFETY COMBO	S/N 1560525+	
8.	818-862C	DECAL 5 YEAR GEARBOX WARRANTY		
9.	838-517C	DECAL QUICK HITCH SYSTEM		
10.	848-631C	DECAL LANDPRIDE 24" GREEN	S/N _____ -	
10.	848-128C	DECAL LANDPRIDE 25-GOLD	S/N _____ +	
11.	838-614C	DECAL REFLECTOR RED 2X9		
12.	848-483C	DECAL RCF2060-GOLD		
12.	848-484C	RPBY 848-483C	Obsolete	
12.	848-485C	DECAL RCF2072-GOLD		
12.	848-486C	RPBY 848-485C	Obsolete	
13.	NA	DECAL, PROP65 VINYL	Removed on Single deck cutters	
14.	858-148C	DECAL PIC--PINCH POINT	S/N 1341733+	

Touch-up Paints - LP

Applies to RCF2060, RCF2072

No diagram associated with this Parts List

Touch-up Paints - LP**Applies to RCF2060, RCF2072**

Ref	Part No.	Part Description	Comments	Revision
1.	821-011C	LP BEIGE SPRAY CAN	Spray can	
1.	821-011CTU	LP BEIGE TOUCH-UP 5OZ	Touch-up bottle with brush	
1.	821-011CQT	LP BEIGE QUART	Quart can	
1.	821-011CGL	LP BEIGE GALLON	Gallon can	
2.	821-070C	GLOSS BLACK SPRAY CAN	Spray can	
2.	821-070CTU	GLOSS BLACK TOUCH-UP 5OZ	Touch-up bottle with brush	
2.	821-070CQT	GLOSS BLACK QUART	Quart can	
2.	821-070CGL	GLOSS BLACK GALLON	Gallon can	
3.	821-054C	MED. RED SPRAY TRCK/CTR	Spray can	
3.	821-054CTU	MED RED TOUCH-UP 5OZ	Touch-up bottle with brush	
3.	821-054CQT	MED RED QUART	Quart can	
3.	821-054CGL	MED RED GALLON	Gallon can	
4.	821-058C	GREEN SPRAY CUTTERS	Spray can	
4.	821-058CTU	GREEN TOUCH-UP 5OZ	Touch-up bottle with brush	
4.	821-058CQT	GREEN QUART	Quart can	
4.	821-058CGL	GREEN GALLON	Gallon can	
5.	821-066C	ORANGE SPRAY CAN	Spray can	
5.	821-066CTU	ORANGE TOUCH-UP 5OZ	Touch-up bottle with brush	
5.	821-066CQT	ORANGE QUART	Quart can	
5.	821-066CGL	ORANGE GALLON	Gallon can	
6.	821-067C	BLUE SPRAY CAN	Spray can	
6.	821-067CTU	BLUE TOUCH-UP 5OZ	Touch-up bottle with brush	
6.	821-067CQT	BLUE QUART	Quart can	
6.	821-067CGL	BLUE GALLON	Gallon can	
7.	821-080C	PAINT ALUMINUM/ZINC SPRAY CAN	Spray can	
7.	821-080CTU	PAINT ALUMINUM/ZINC TOUCH UP	Touch-up bottle with brush	
7.	821-080CQT	PAINT ALUMINUM/ZINC QUART	Quart can	
7.	821-080CGL	PAINT ALUMINUM/ZINC GALLON	Gallon can	



Part Number Index

The Part Number Index is a numeric index of all part numbers included in this manual. The index shows what page(s) the part is used on.

Part Number	Page	Part Number	Page	Part Number	Page	Part Number	Page
0.131.5000.00	41	326-149H81	7	802-010C	17	816-437C	13
0.135.5000.00	39	326-149H82	7	802-012C	17	816-438C	13
0.135.6008.00	39	326-149H83	7	802-015C	11, 13, 21	816-439C	13
0.135.6201.00	41	326-149H84	7	802-034C	25	816-440C	13
0.135.7105.00	39, 41	326-181D	21	802-055C	15, 17, 29	816-504C	7, 9
0.209.0300.00	39, 41	326-182D	21	802-068C	17	818-130C	45
0.209.1300.00	39, 41	326-186D	21	802-138C	17	818-142C	45
0.209.2000.00	39, 41	326-188D	15	802-149C	7, 9	818-543C	45
0.209.7100.00	39, 41	326-212D	21	802-192C	15, 17	818-555C	45
0.209.7101.00	39, 41	326-213D	21	802-224C	7, 9	818-556C	45
0.267.7500.00	39, 41	326-214D	13	802-262C	25	818-564C	45
044321	33, 37	326-215D	13	802-264C	29, 35, 37	818-830C	45
09-014	25	326-218D	13	802-265C	29, 31, 33	818-862C	45
1.135.7100.00	39, 41	326-219D	11	802-277C	27	8180.014.232	31, 33, 35, 37
141.024.430.1	31, 33, 35, 37	326-220D	11	802-314C	29	8180.014.233	31, 33, 35, 37
142.240.4637421	37	326-221D	43	802-453C	15, 17, 23	8180.014.240	31, 33, 35, 37
1422404527421	33	326-222D	11	802-464C	15, 17	820-198C	27
1422404637421	37	326-223D	11	802-603C	43	820-199C	27
151.014.232.1	31, 33	326-224D	11	802-647C	21, 23	820-566C	27
151.014.542.1	31, 33	326-231D	7	803-020C	25	821-011C	47
165.000.501	31, 33	326-236D	15, 17	803-021C	25	821-011CGL	47
165.000.628	31, 33, 35, 37	326-242D	9	803-077C	17	821-011CQT	47
180.014.022	31, 33	326-320D	15	803-147C	29, 31, 33, 35, 37	821-011CTU	47
180.014.130	31, 33, 35, 37	326-329D	15	803-148C	17	821-054C	47
180.015.019	31, 33	326-429D	15, 17	803-170C	27	821-054CGL	47
180.015.020	31, 33	326-429D81	17	803-177C	17	821-054CQT	47
180.015.021.1	31, 33	326-429D82	17	803-181C	15, 17	821-054CTU	47
190.000.098	31, 33, 35, 37	326-429D83	17	803-198C	7, 9, 11, 13, 15, 17, 21, 23, 43	821-058C	47
190.000.099	31, 33, 35, 37	326-429D84	17	803-255C	7, 9	821-058CGL	47
303-017S	15, 17	326-429D85	17	803-263C	15, 17, 29	821-058CTU	47
312-008S	25	326-430D	15, 17	803-271C	15, 17	821-066C	47
312-020D	25	326-430D81	17	804-007C	7, 9	821-066CGL	47
312-021D	25	326-430D82	17	804-009C	29	821-066CQT	47
312-025A	29	326-430D83	17	804-010C	17, 29	821-066CTU	47
312-026A	29	326-430D84	17	804-015C	25	821-067C	47
312-075D	27	326-430D85	17	804-016C	9	821-067CGL	47
312-082D	27	326-452D	15, 17	804-019C	15, 17	821-067CQT	47
312-089D	27	326-454D	15, 17	804-022C	25	821-067CTU	47
312-553A	25	326-454D81	17	804-024C	15	821-070C	47
312-554A	25	326-454D82	17	804-036C	17	821-070CGL	47
312-561H	25	326-454D83	17	804-062C	25	821-070CQT	47
312-651A	23	326-454D84	17	804-070C	29	821-070CTU	47
312-652A	23	326-454D85	17	804-147C	27	821-080C	47
312-728A	29, 31	326-546D	15, 17	804-156C	15	821-080CGL	47
312-732A	29	326-668H	25	805-015C	15, 17	821-080CQT	47
312-808D	27	326-804H	27	805-017C	29	821-080CTU	47
312-815H	27	326-822D	15	805-041C	15, 17	822-166C	39, 41
312-834A	21	327-143S	17	805-109C	15	822-188C	39, 41
312-841H	27	327-182S	17	805-143C	15, 17	826-240C	29
312-842A	21	327-187H	17	805-177C	25	826-383C	29, 39
312-844A	13	327-589D	9	805-207C	15, 17	826-384C	29, 41
312-845A	11	327-763D	18	805-228C	15, 18	826-491C	29
312-846A	13	327-764D	18	807-350C	18	826-656C	29, 31
312-847A	11	8.1.1.00501	39, 41	812-500C	18	826-657C	29, 33
312-851D	15, 17	8.2.2.00515	29, 39, 41	8123.340.277.11	33, 37	826-660C	29, 35
312-948D	21, 23	8.3.2.00409	39, 41	8123.340.347.11	31	826-661C	29, 37
312-949D	23	8.4.1.00993	39, 41	8123.340.366.11	35	837-062C	18
312-950D	23	8.4.7.00516	39, 41	8123.440.666.11	33	837-063C	18
312-952D	23	8.5.1.00680	39, 41	8123.440.667.11	37	837-101C	29
312-953D	23	8.5.2.00030	39, 41	8123.440.693.11	31	838-517C	45
318-142D	11	8.5.2.00131	39, 41	8123.440.719.11	35	838-614C	45
318-586A	27	8.5.3.00955	39, 41	814-058C	25	840-273C	29
326-120A	43	8.6.6.00201	39, 41	814-065C	25	842-243C	29
326-141H	9	8.7.0.00744	39, 41	8141.024.538.1	35, 37	844-190C	45
326-141H81	9	8.7.1.00748	39, 41	8142.240.4957421	35	848-128C	45
326-141H82	9	8.7.3.00055	39, 41	81422404827421	31	848-483C	45
326-141H83	9	800-079C	29	8146.241.040.1	31, 33	848-484C	45
326-141H84	9	800-080C	15, 17, 25	816-309C	23	848-485C	45
326-146H	15, 17	800-316C	25	816-310C	23	848-486C	45
326-149H	7	801-238C	29				



Part Number Index (continued)

<u>Part Number</u>	<u>Page</u>
848-631C	45
858-148C	45
890-341C	11
890-485C	11, 21
A.248.500	39, 41
A244.501	39, 41
Dwg 21410	21
Dwg 21412	23
Dwg 21448	39
Dwg 30203	33
Dwg 30204	37
Dwg 30205	31
Dwg 30206	35
Dwg 30270	27
Dwg 30913	7
Dwg 30914	15
Dwg 30915	29
Dwg 30916	45
Dwg 37990	17
Dwg 39845	9
dwg21411	11
dwg21413	13
dwg21414	25
dwg21449	41
dwg25895	43
N/A	45
NA	45



Great Plains Manufacturing, Inc.

Corporate Office: P.O. Box 5060
Salina, Kansas 67402-5060 USA

www.landpride.com
