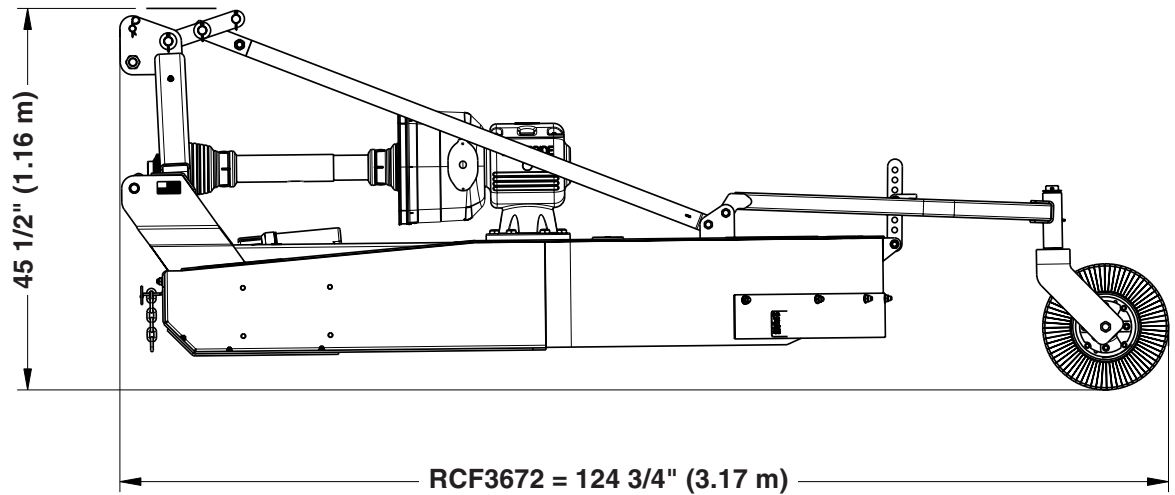
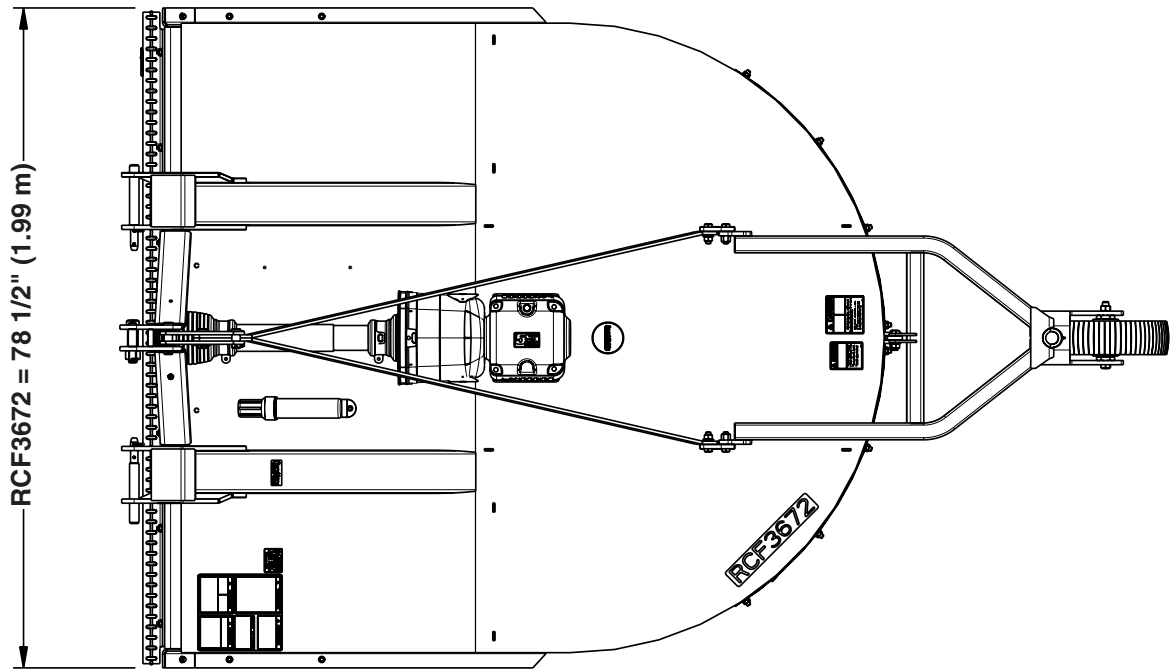


RCF3672 Model

Specifications & Capacities	
Model Numbers	RCF3672
Machine weight	1337 lbs (606.5 kg)
	With front and rear single chain guards
Hitch	Category I or II with floating clevis top link, quick hitch adaptable
Cutting width	72" (1.83 m)
Overall width	78 1/2" (1.99 m)
Overall length	124 3/4" (3.17 m)
Deck height (Bottom of deck to bottom of skid shoe)	13 3/8" (34.0 cm)
Cutting height	2" to 12" (5.1 cm to 30.5 cm)
Cutting capacity	4" (10.2 cm) Diameter
Recommended tractor hp	60-190 hp (44.7-141.7 kw)
Power take-off speed	540 rpm
Gearbox	1:1.48 Speed-up beveled gears, Cast iron housing, 1 3/4" (4.4 cm) - 20 spline input shaft and 2 3/8" (6.0 cm) output shaft
Gearbox lubricant	EP 80-90W oil
Gearbox oil capacity	10 pints (4.73 L)
Deck construction	All welded deck
Deck material thickness	3/16" (5 mm)
Side skirt material thickness	1/4" (6 mm)
Skid construction	Replaceable bolt on skid shoes
Stump jumper	Round pan 3/16" x 30 7/16" (5 mm x 77.3 cm) with blade holder bar
Blades (2)	1/2" x 4" (1.3 cm x 10.2 cm) Heat treated alloy steel Free-swinging high lift - low friction
Blade bolts	Keyed with harden flat washers & locknuts.
Blade tip speed	14,861 fpm (75.5 mps)
Driveline	ASAE Category 5 with 4-plate slip clutch
Driveline protection	Center bolt 4 plate slip clutch
Tailwheel mount assembly	Welded A-arm and caster fork with 360 degree swivel
Tailwheel	4" x 8" x 15" Laminated tire with cast iron hub
Front guard (optional)	Rubber belting or single chain guard or double chain guard
Rear guard (optional)	Single chain guard or double chain guard



30604