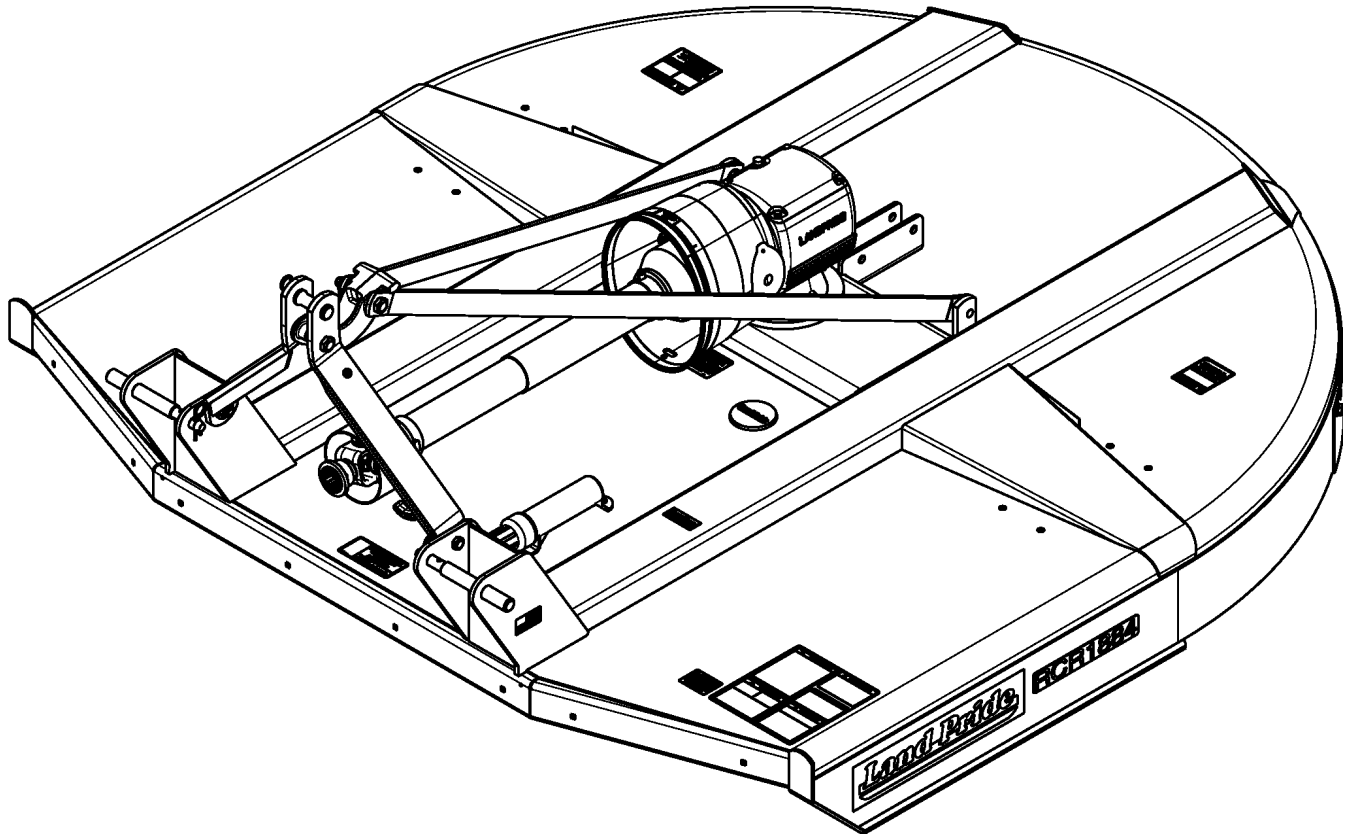


# Rotary Cutter

RCR1884



24584

## 312-880P Parts Manual



Read the Operator's Manual entirely. When you see this symbol, the subsequent instructions and warnings are serious - follow without exception. Your life and the lives of others depend on it!

© Copyright 2020 Printed 07/13/20

Cover photo may show optional equipment not supplied with standard unit.





# Table of Contents

---

<b>Section 1: Introduction.....</b>	<b>4</b>
Using This Manual.....	4
Manual Replacement Information.....	4
Manual Revisions.....	4
Touch-up Paint.....	4
Hardware Legend.....	5
Replacement Hardware.....	5
Serial Numbers.....	5
Part Number Service Coding.....	5
<b>Section 2: Deck.....</b>	<b>6</b>
Deck and Rear Deflector.....	6
Driveline Hanger (327-143S).....	8
Gauge Wheel Dual.....	10
Gauge Wheel Single.....	12
Hitch Components S/N 945302-.....	14
Hitch Components S/N 945303+.....	16
Manual Tube.....	18
<b>Section 3: Blade Drive.....</b>	<b>20</b>
Blade Drive.....	20
Driveline w/ 2 Plate Slip Clutch (826-510C).....	22
Driveline w/ 4 Plate Slip Clutch (826-510C).....	24
Gearbox (826-376C).....	26
<b>Section 4: Guards.....</b>	<b>28</b>
Guard Chain Rear.....	28
Guard Chain Single Front.....	30
Guard Rubber Front.....	32
<b>Section 5: Options &amp; Accessories.....</b>	<b>34</b>
Skid Shoe Kit.....	34
<b>Section 6: Decals.....</b>	<b>36</b>
Decal Placement.....	36
Touch-up Paints - LP.....	38
<b>Part Number Index.....</b>	<b>40</b>

© Copyright 2020. All rights reserved.

Land Pride provides this publication “as is” without warranty of any kind, either expressed or implied. While every precaution has been taken in the preparation of this manual, Land Pride assumes no responsibility for errors or omissions. Neither is any liability assumed for damages resulting from the use of the information contained herein. Land Pride reserves the right to revise and improve its products as it sees fit. This publication describes the state of this product at the time of its publication, and may not reflect the product in the future. The illustrations in this manual are not intended for safe and proper assembly or disassembly of equipment. The illustrations are intended for ordering parts only.

Land Pride is registered trademark.

All other brands and product names are trademarks or registered trademarks of their respective holders.

*Printed in the United States of America.*



## Alphabetized Table of Contents

---

<b>B</b>	
Blade Drive.....	20
<b>D</b>	
Decal Placement.....	36
Deck and Rear Deflector.....	6
Driveline Hanger (327-143S).....	8
Driveline w/ 2 Plate Slip Clutch (826-510C).....	22
Driveline w/ 4 Plate Slip Clutch (826-510C).....	24
<b>G</b>	
Gauge Wheel Dual.....	10
Gauge Wheel Single.....	12
Gearbox (826-376C).....	26
Guard Chain Rear.....	28
Guard Chain Single Front.....	30
Guard Rubber Front.....	32
<b>H</b>	
Hitch Components S/N 945302-.....	14
Hitch Components S/N 945303+.....	16
<b>M</b>	
Manual Tube.....	18
<b>S</b>	
Skid Shoe Kit.....	34
<b>T</b>	
Touch-up Paints - LP.....	38

# General Information

## Using This Manual

This manual is divided into sections. The first section contains General Information. The remaining sections divide the machine into segments (i.e. Frames, Drives, Hydraulics, etc.) which illustrate and list all parts. A Parts Number Index is located at the back of the book.

The Land Pride parts in this manual are specially designed for this machine and should be replaced with Land Pride parts only.

The information in this manual is current at time of printing. Some parts may change to assure top performance.

Right-hand and left-hand as used in this manual are determined by facing the direction the machine will travel while in use.

Below is an example of two facing pages from a parts manual. Familiarize yourself with the type of information contained on these pages.

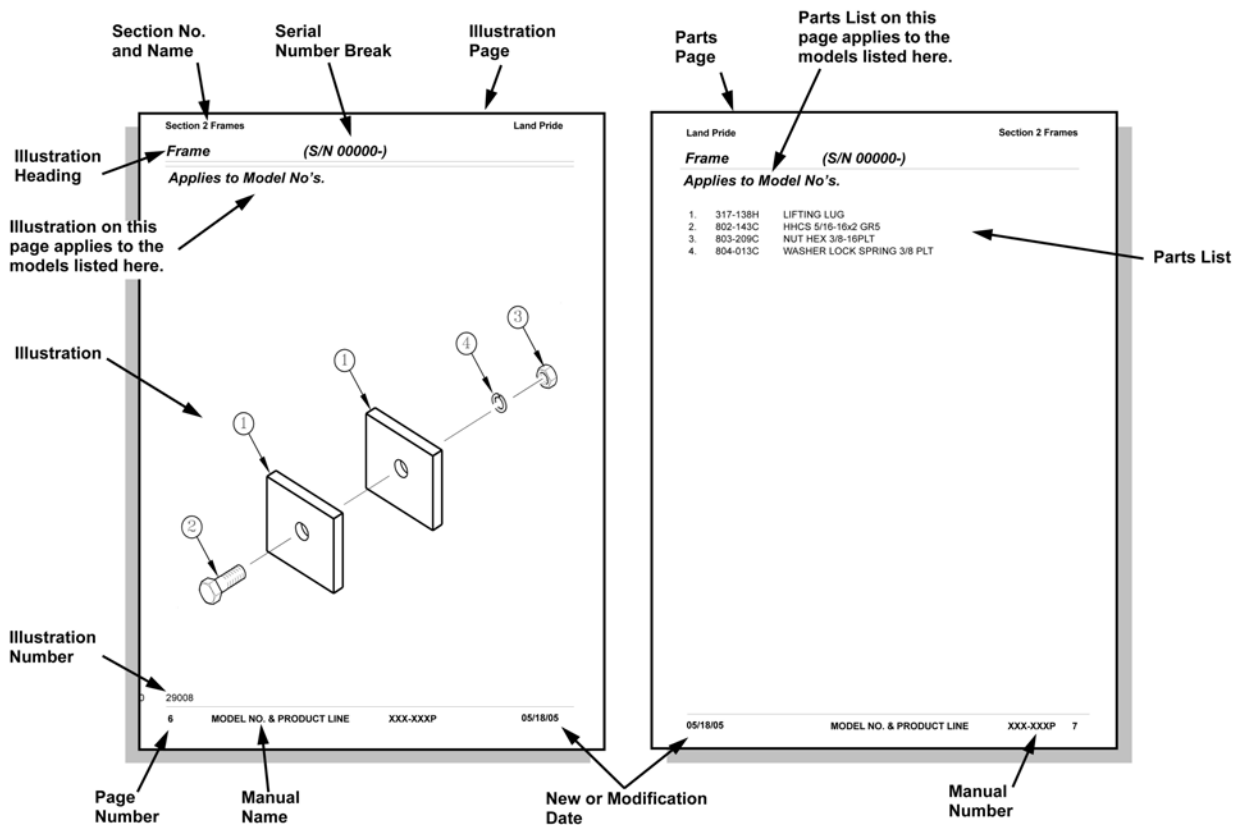
## Manual Replacement Information

Replacement manuals are available. Refer to our website at [www.landpride.com](http://www.landpride.com) or e-mail us at [lit@landpride.com](mailto:lit@landpride.com) for additional information. Our website continues to provide the most up-to-date manuals available.

## Touch-up Paint

Repaint parts where paint is worn or scratched to prevent rust. Aerosol cans and touch-up bottles with brush applicator are available through your local dealer. Also available are quart and gallon size paints. Add QT or GL to end of the Aerosol P/N.

Land Pride color descriptions and part numbers are listed on the "Land Pride Touch-up Paints" page in the "Decals" section of this book. Color options vary by product.



## General Information

### Hardware Legend

<b>AR</b>	As Required
<b>BLADE</b>	Blade Bolt
<b>C</b>	Cap Screw
<b>CP</b>	Cotter Pin
<b>CPHSSS</b>	Cup Point Hex Socket Set Screw
<b>CPSHSS</b>	Cup Point Square Head Set Screw
<b>CPSQHSS</b>	Cup Point Square Head Set Screw
<b>CRFCHMS3</b>	Cross Recess Flat Countersunk Head Machine Screw
<b>CRPHMS</b>	Cross Recess Pan Head Machine Screw
<b>CRPHTF</b>	Cross Recess Pan Head Thread Forming
<b>CRRHMS</b>	Cross Recess Round Head Machine Screw
<b>CRTHMS</b>	Cross Recess Truss Head Machine Screw
<b>CSNB</b>	Countersunk Square Neck Bolt
<b>FHMS</b>	Flat Head Machine Screw
<b>FTC</b>	Full Thread Cap Screw
<b>H</b>	Hex Nut
<b>HCLN</b>	Hex Center Lock Nut
<b>HFLCS</b>	Hex Flange Lock Cap Screw
<b>HFS</b>	Hex Flange Screw
<b>HFSLN</b>	Hex Flange Serrated Lock Nut
<b>HFSS</b>	Hex Flange Serrated Screw
<b>HHCS</b>	Hex Head Cap Screw or Metric Bolt
<b>HSBHCS</b>	Hex Socket Button Head Cap Screw
<b>HSFCHCS</b>	Hex Socket Flat Countersunk Head Cap Screw
<b>HSHCS</b>	Hex Socket Head Cap Screw
<b>HSSS</b>	Hex Socket Head Screw
<b>HTLN</b>	Hex Top Lock Nut
<b>HWHCS</b>	Hex Washer Head Cap Screw

<b>HWHMS</b>	Hex Washer Head Machine Screw
<b>HXBHCS</b>	Hex Socket Button Head Cap Screw
<b>J</b>	Hex Jam Nut
<b>JIC</b>	37 Degree Tapered Thread
<b>L</b>	Helical Spring Lock Washer
<b>LUG</b>	Lug Bolt
<b>NFC</b>	National Fine Cap Screw
<b>NPSM</b>	National Pipe Straight Mechanical
<b>NPTF</b>	National Pipe Taper Fuel
<b>P</b>	Wide Plain Washer
<b>PHMS</b>	Pan Head Machine Screw
<b>PLOW</b>	Plow Bolt
<b>RHMS</b>	Round Head Machine Screw
<b>RHSNB</b>	Round Head Square Neck Bolt
<b>SCREW LEVELING</b>	Leveling Screw
<b>SCREW THUMB</b>	Thumb Screw
<b>SCREW WELD</b>	Weld Screw
<b>SFCHMS</b>	Slotted Flat Countersunk Head Machine Screw
<b>SFHMS</b>	Slotted Fillister Head Machine Screw
<b>SP</b>	Special
<b>SP SCREW</b>	Special Screw
<b>SQHSS</b>	Square Head Set Screw
<b>SRHMS</b>	Slotted Round Head Machine Screw
<b>SSS</b>	Socket Set Screw
<b>STCS</b>	Self Tapping Cap Screw
<b>STHMS</b>	Slotted Truss Head Machine Screw
<b>WHEEL</b>	Wheel Studs and Hub Long Bolts
<b>WING</b>	Wing Bolt

### Replacement Hardware

The **Hardware Legend** above lists hardware abbreviations used in the parts list. All bolts and nuts are Grade 5 unless otherwise noted. The use of improper grades of hardware can result in personal injury, damage to equipment, or loss of property.

### Colored Replacement Parts

Land Pride offers replacement parts in factory standard colors and also on select models in Green, Orange, Red and Blue. Because of the variety of colors available, special attention must be given to the part number to prevent ordering the wrong replacement part.

A suffix number corresponding to one of the colors below must be added at the end of Land Pride's part number when ordering a replacement part with that color.

**81 . . . . . Green      83 . . . . . Red**  
**82 . . . . . Orange    84 . . . . . Blue**

For example, if you are ordering a replacement part with part number 555-555C and the part you need is red, then add the suffix 83 to the end of the number to make the part number read 555-555C83. Parts ordered without a suffix number will be supplied in factory standard colors.

### Black Replacement Parts

Some parts are factory standard black and some must be special ordered black. If your part is special ordered black, a second part number with the additional suffix number 85 on the end will be available. In this situation you must order that part with the suffix number for it to be black. Parts that are factory standard black will not have the suffix number.

### Part Number Service Coding

Within the parts list some part numbers are coded for revisions and interchangeability. See notations in revision column.

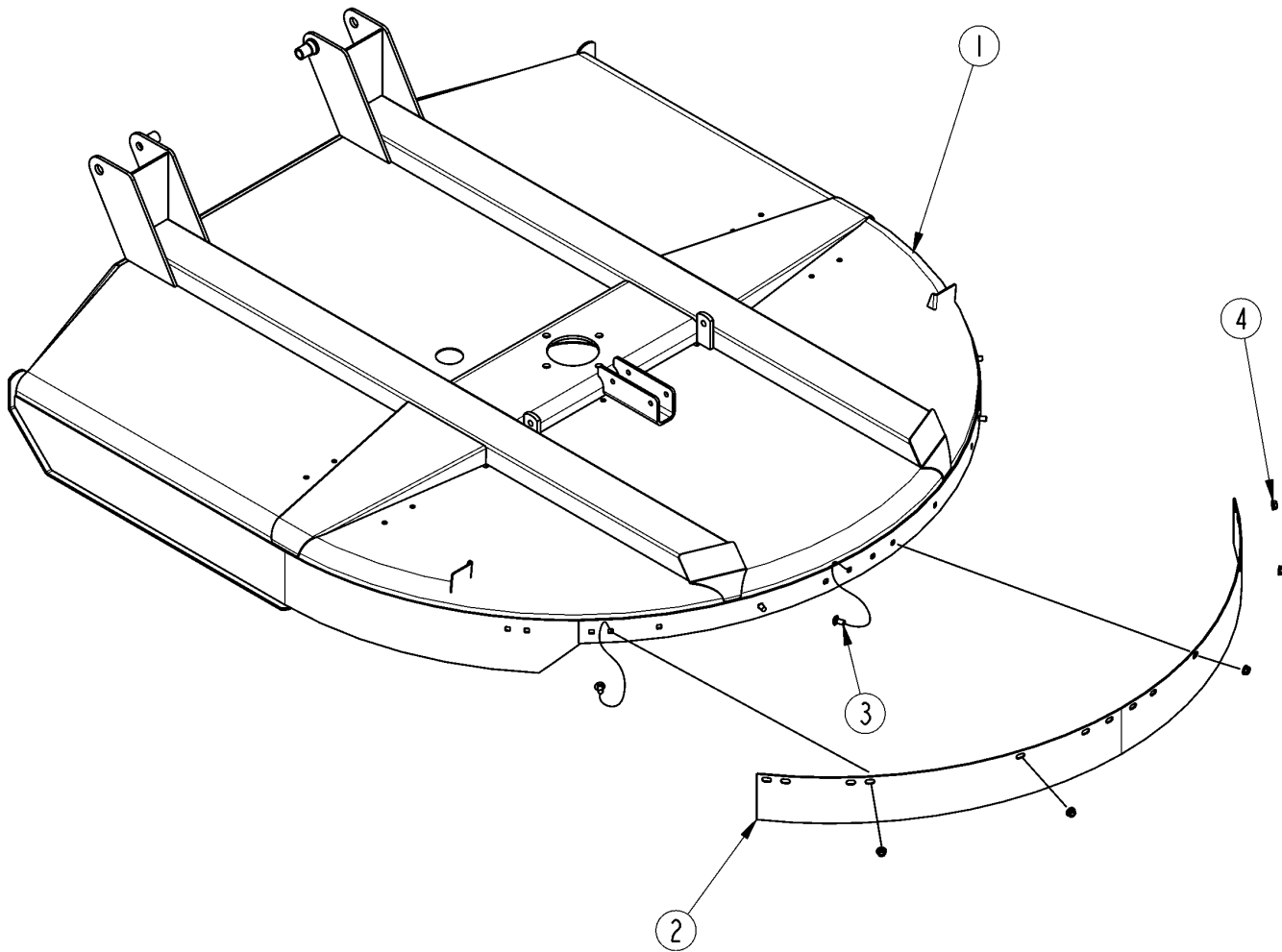
### Serial Numbers

Always use the serial and model number when ordering parts. Refer to the Operator's Manual for serial number plate location.

- |                      |  |
|----------------------|--|
| (S/N 20001+)         | Includes serial numbers 20001 and above (to the latest number)   |
| (S/N 10001 to 20000) | Includes serial numbers between and including 10001 and 20000    |
| (S/N 10000-)         | Includes serial numbers 10000 and below (to the earliest number) |

# Deck and Rear Deflector

Applies to RCR1884



24761

***Deck and Rear Deflector***

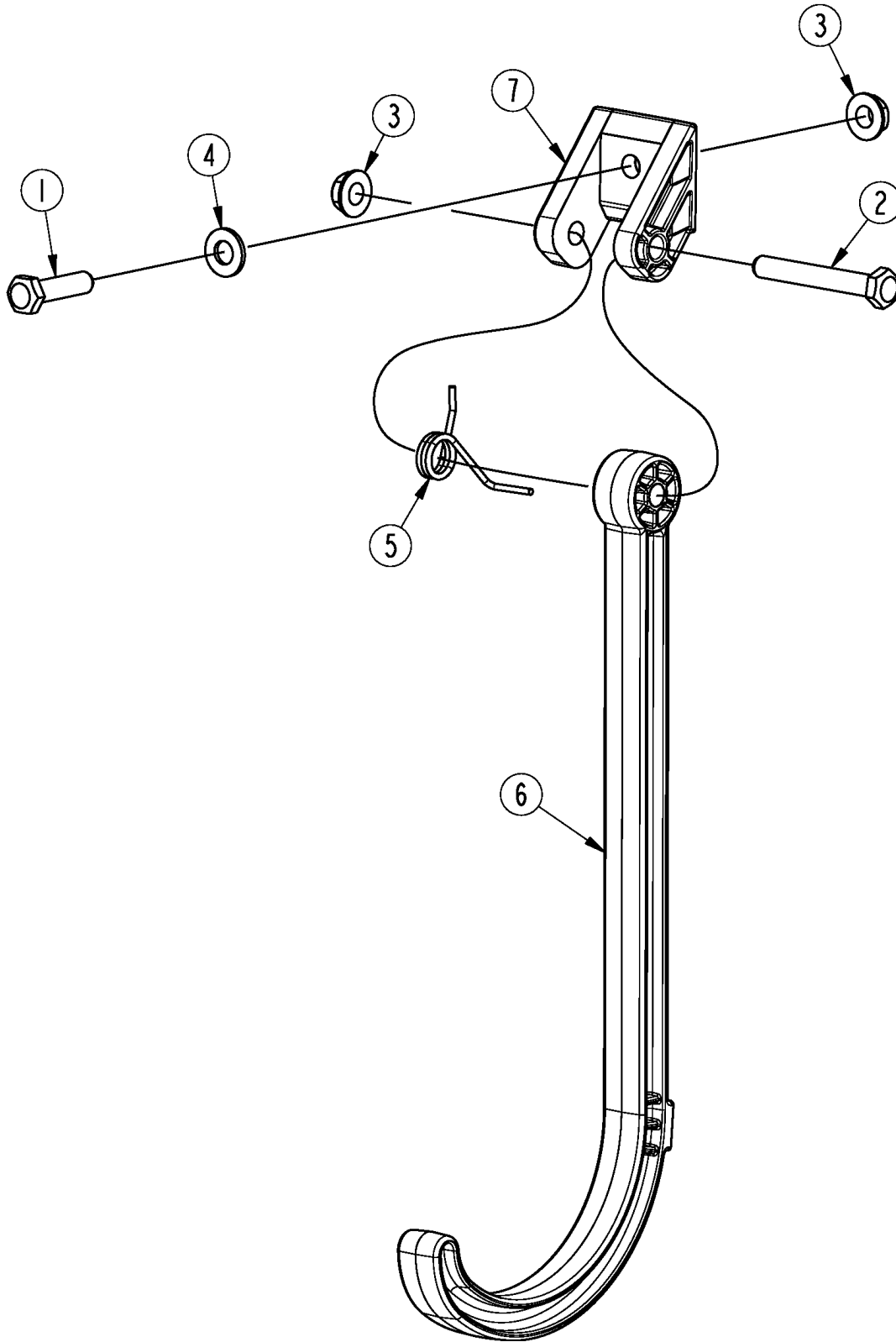
---

**Applies to RCR1884**

<b>Ref</b>	<b>Part No.</b>	<b>Part Description</b>	<b>Comments</b>	<b>Revision</b>
	dwg24761	Drawing Image Number		
1.	326-019H	1884 DECK WELDMENT		
1.	326-019H81	1884 DECK WELDMENT GREEN		
1.	326-019H82	1884 DECK WELDMENT ORANGE		
1.	326-019H83	1884 DECK WELDMENT RED		
2.	326-327D	REAR BAND DEFLECTOR		
3.	802-183C	RHSNB 1/2-13X1 GR5		
4.	803-037C	NUT HEX WHIZ 1/2-13 PLT		

# Driveline Hanger (327-143S)

Applies to RCR1884



72257



**Driveline Hanger (327-143S)**

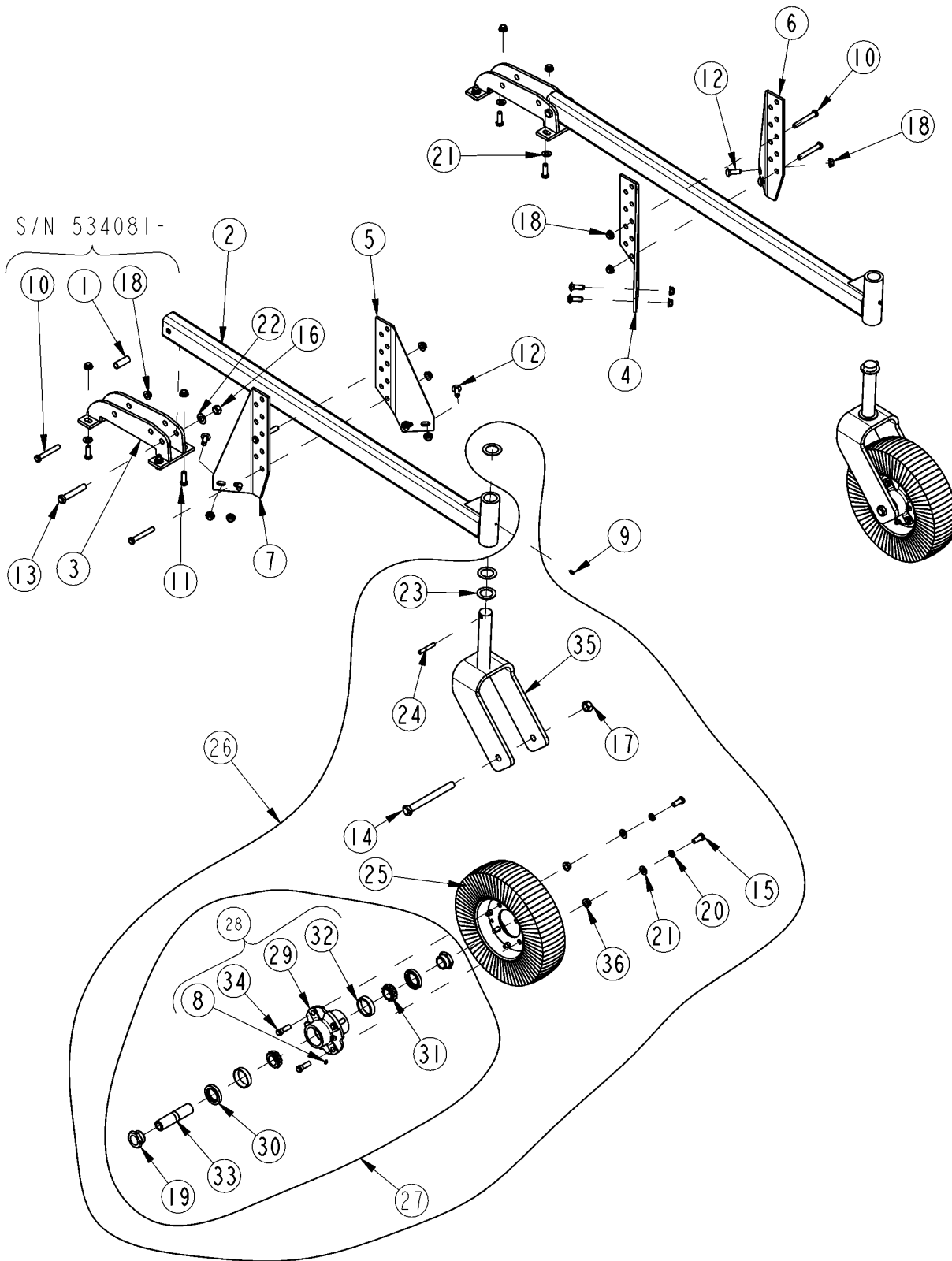
---

**Applies to RCR1884**

<b>Ref</b>	<b>Part No.</b>	<b>Part Description</b>	<b>Comments</b>	<b>Revision</b>
	Dwg 72257 327-143S	Image No. DRIVELINE HOLDER W/HARDWARE *	Complete assembly	
1.	802-010C	HHCS 5/16-18X1 1/4 GR5		
2.	802-138C	HHCS 5/16-18X2 1/4 GR5		
3.	803-177C	NUT HEX FLG TP LK 5/16-18ZN		
4.	804-036C	WASHER FLAT 5/16 SAE PLT		
5.	807-350C	SPRING TORSION DRVLN HLDER		
6.	837-062C	DRIVELINE HOOK		
7.	837-063C	MOUNT DRIVELINE HOOK		

# Gauge Wheel Dual

Applies to RCR1884



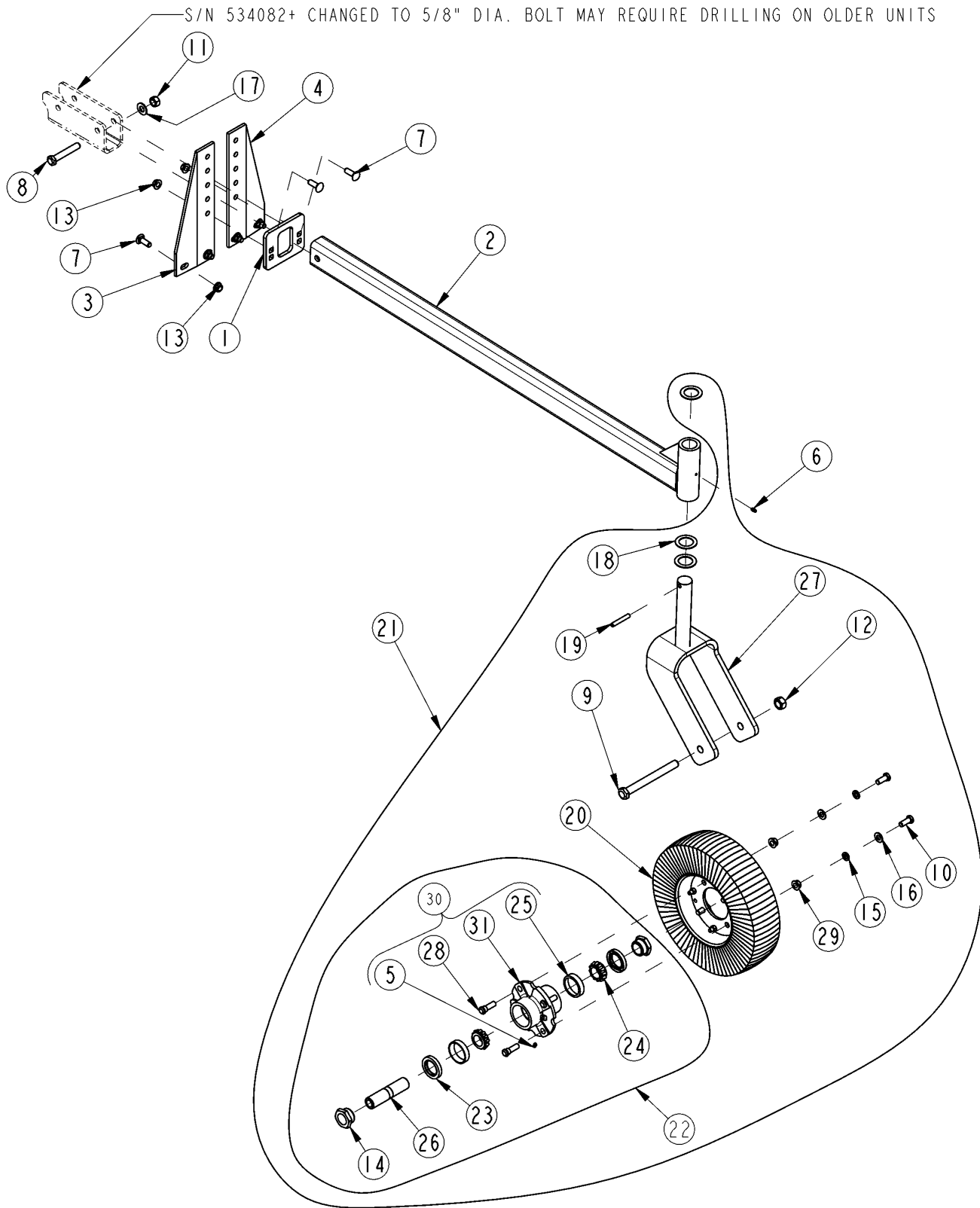
24769

**Gauge Wheel Dual****Applies to RCR1884**

Ref	Part No.	Part Description	Comments	Revision
	dwg24769	Drawing Image Number		
1.	312-629D	SPACER TUBE 3/4 OD X 2 1/32		
2.	312-879H	WELDMENT TAILWHEEL BEAM	S/N 534082+ Changed To 5/8" Dia. Bolt May Require Drilling On Older Units	
3.	326-035H	DUAL TAILWHEEL BRKT. WELDMENT	S/N 534082+ Changed To 5/8" Dia. Bolt May Require Drilling On Older Units	
4.	326-294D	ADJ. BRACKET INNER R.H.		
5.	326-295D	ADJ. BRACKET INNER L.H.		
6.	326-296D	ADJ. BRACKET OUTER R.H.		
7.	326-297D	ADJ. BRACKET OUTER L.H.		
8.	800-001C	GREASE ZERK STRAIGHT 1/4-28		
9.	800-080C	GREASE ZERK 1/4-28 THD FORMING		
10.	802-041C	HHCS 1/2-13X3 1/2 GR5		
11.	802-091C	HHCS 1/2-13X1 1/2 GR5		
12.	802-106C	RHSNB 1/2-13X1 1/2 GR5		
13.	802-153C	HHCS 5/8-11X3 3/4 GR5	S/N 534082+	
13.	802-041C	HHCS 1/2-13X3 1/2 GR5	S/N 534081-	
14.	802-280C	HHCS 3/4-10X7 1/2 GR5		
15.	802-326C	HHCS 1/2-20X1 1/4 GR5		
16.	803-024C	NUT LOCK 5/8-11 PLT	S/N 534082+	
16.	803-169C	NUT HEX FLG. LOCK 1/2-13 PLT.	S/N 534081-	
17.	803-026C	NUT LOCK 3/4-10 PLT		
18.	803-169C	NUT HEX FLG. LOCK 1/2-13 PLT.		
19.	803-289C	NUT HEX 1 1/4-7(MACHINED)PLAIN		
20.	804-015C	WASHER LOCK SPRING 1/2 PLT		
21.	804-016C	WASHER FLAT 1/2 SAE PLT		
22.	804-021C	WASHER FLAT 5/8 SAE PLT	S/N 534082+	
23.	804-066C	WASHER MACH 2.25 X 1.50 X 14GA		
24.	805-255C	PIN ROLL 3/8 X 2 1/2 PLT		
25.	814-058C	TIRE & WHEEL LAMINATED 4.0 X 8		
26.	814-161C	LAM 4X8 TR-WL-HUB-YOKE 25 SER.		
27.	815-092C	HUB & SPINDLE ASSY 4 BOLT		
28.	815-230C	HUB 4 BLT W/CUPS, ZERK & STUDS		
29.	N/A	HUB 4BLT DUCTILE(USE 815-230C)		
30.	816-286C	OIL SEAL DBL LIP 2.441 BORE		
31.	822-091C	BRG 1.25ID CONE 15123		
32.	822-092C	BRG CUP 2.44OD 15245		
33.	827-036C	BUSHING TW 1.25ODX.78IDX5 1/4		
34.	802-135C	HUB STUD 1/2-20X1 5/8 GR5		
35.	890-961C	RC25 TAILWHEEL YOKE		
36.	803-308C	NUT HEX FLG/LK 1/2-20 PLT GR G		

# Gauge Wheel Single

Applies to RCR1884



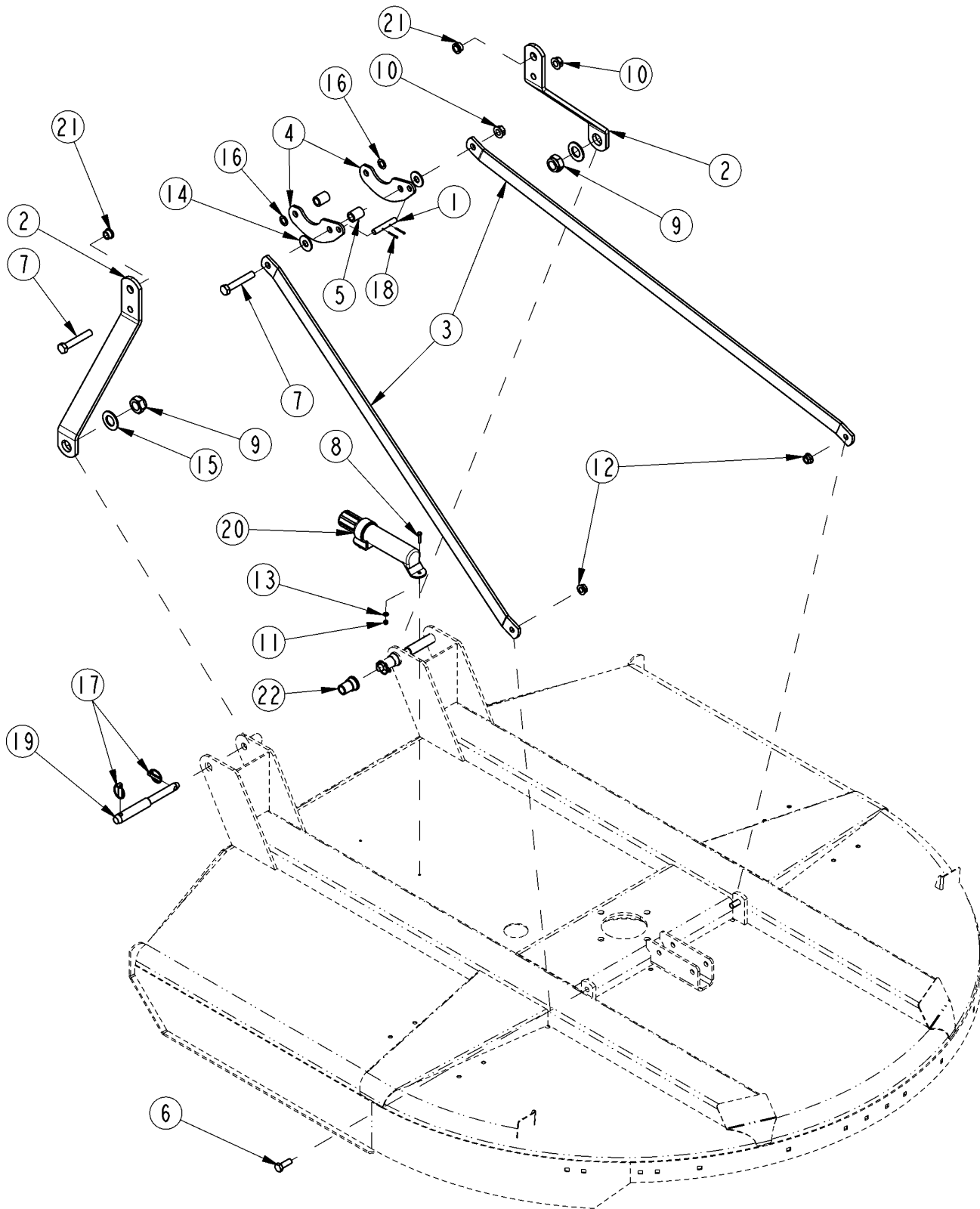
24768

**Gauge Wheel Single****Applies to RCR1884**

Ref	Part No.	Part Description	Comments	Revision
	dwg24768	Drawing Image Number		
1.	312-616D	TAILWHEEL ARM ADJUST PLATE		
2.	312-879H	WELDMENT TAILWHEEL BEAM	S/N 534082+ Changed To 5/8" Dia. Bolt May Require Drilling On Older Units	
3.	326-365D	TAILWHEEL VERT. SUPPORT LH		
4.	326-366D	TAILWHEEL VERT. SUPPORT RH		
5.	800-001C	GREASE ZERK STRAIGHT 1/4-28		
6.	800-080C	GREASE ZERK 1/4-28 THD FORMING		
7.	802-106C	RHSNB 1/2-13X1 1/2 GR5		
8.	802-153C	HHCS 5/8-11X3 3/4 GR5	S/N 534082+	
8.	802-041C	HHCS 1/2-13X3 1/2 GR5	S/N 534081-	
9.	802-280C	HHCS 3/4-10X7 1/2 GR5		
10.	802-326C	HHCS 1/2-20X1 1/4 GR5		
11.	803-024C	NUT LOCK 5/8-11 PLT	S/N 534082+	
11.	803-169C	NUT HEX FLG. LOCK 1/2-13 PLT.	S/N 534081-	
12.	803-026C	NUT LOCK 3/4-10 PLT		
13.	803-169C	NUT HEX FLG. LOCK 1/2-13 PLT.		
14.	803-289C	NUT HEX 1 1/4-7(MACHINED)PLAIN		
15.	804-015C	WASHER LOCK SPRING 1/2 PLT		
16.	804-016C	WASHER FLAT 1/2 SAE PLT		
17.	804-021C	WASHER FLAT 5/8 SAE PLT	S/N 534082+	
18.	804-066C	WASHER MACH 2.25 X 1.50 X 14GA		
19.	805-255C	PIN ROLL 3/8 X 2 1/2 PLT		
20.	814-058C	TIRE & WHEEL LAMINATED 4.0 X 8		
21.	814-161C	LAM 4X8 TR-WL-HUB-YOKE 25 SER.		
22.	815-092C	HUB & SPINDLE ASSY 4 BOLT		
23.	816-286C	OIL SEAL DBL LIP 2.441 BORE		
24.	822-091C	BRG 1.25ID CONE 15123		
25.	822-092C	BRG CUP 2.44OD 15245		
26.	827-036C	BUSHING TW 1.25ODX.78IDX5 1/4		
27.	890-961C	RC25 TAILWHEEL YOKE		
28.	802-135C	HUB STUD 1/2-20X1 5/8 GR5		
29.	803-308C	NUT HEX FLG/LK 1/2-20 PLT GR G		
30.	815-230C	HUB 4 BLT W/CUPS, ZERK & STUDS		
31.	N/A	HUB 4BLT DUCTILE(USE 815-230C)		

**Hitch Components S/N 945302-**

Applies to RCR1884



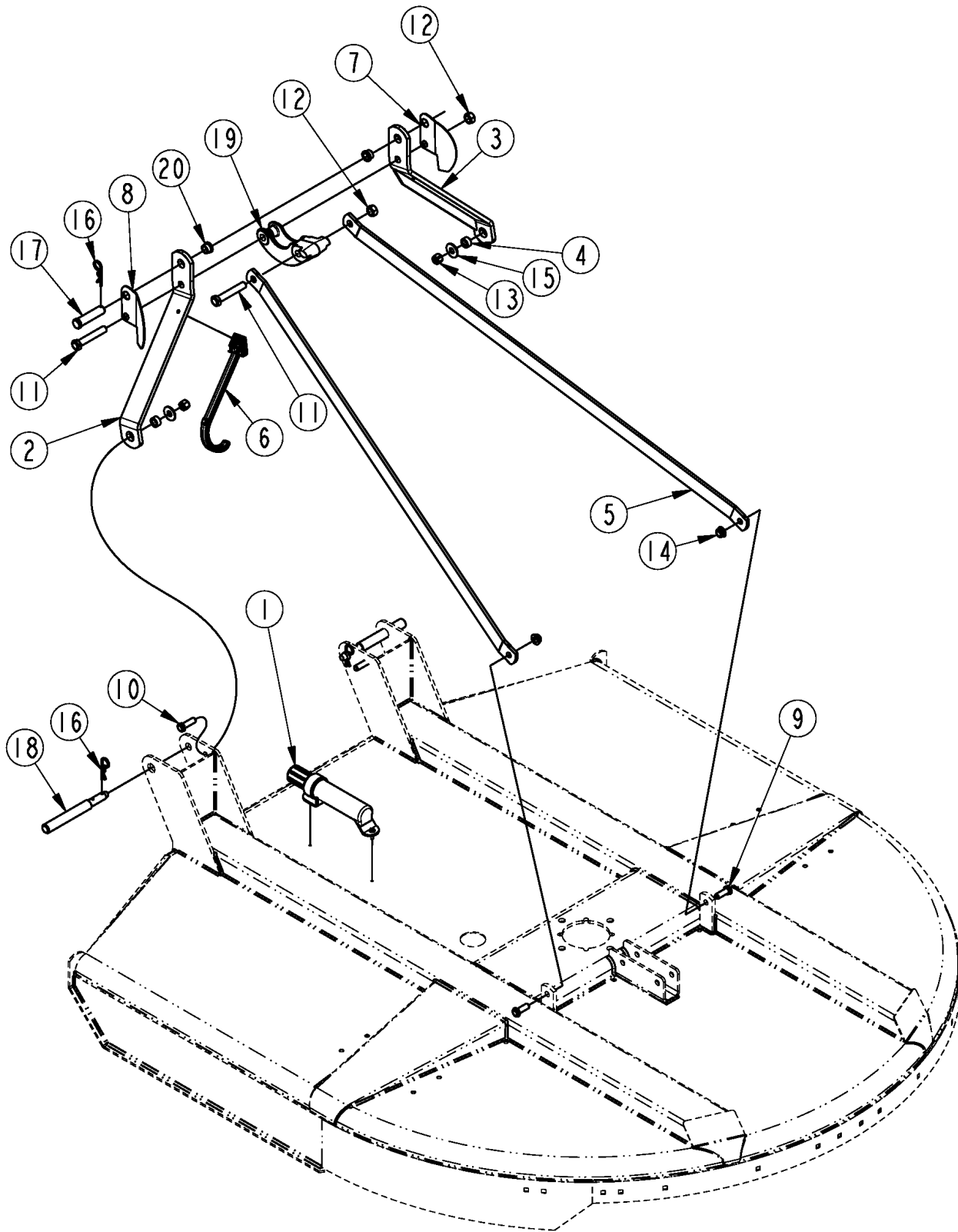
24762

**Hitch Components S/N 945302-****Applies to RCR1884**

<b>Ref</b>	<b>Part No.</b>	<b>Part Description</b>	<b>Comments</b>	<b>Revision</b>
	dwg24762	Drawing Image Number		
1.	326-188D	PIN, STOP		
2.	326-317D	HITCH STRAP		
3.	326-319D	REAR BRACE		
4.	326-320D	REAR BRACE HINGE		
5.	326-329D	SPACER 1 1/4ODX25/32IDX1 5/8		
6.	802-053C	HHCS 5/8-11X1 3/4 GR5		
7.	802-192C	HHCS 3/4-10X4 1/2 GR5		
8.	802-224C	HHCS 1/4-20X1 1/4 GR5	S/N 543370+	
9.	803-180C	NUT HEX 1 1/4-12 PLT TOP LOCK		
10.	803-181C	NUT HEX FLANGE LOCK 3/4-10 PLT		
11.	803-255C	NUT HEX NYLOCK 1/4-20	S/N 543370+	
12.	803-263C	NUT HEX FLANGE LOCK 5/8-11 PLT		
13.	804-007C	WASHER FLAT 1/4 SAE PLT	S/N 543370+	
14.	804-024C	WASHER FLAT 3/4 USS PLT		
15.	804-039C	WASHER FLAT 1 1/4 SAE PLT		
16.	804-156C	WASHER MACH 1 1/4X3/4X14GA		
17.	805-103C	PIN LINCH 7/16 X 1 3/4		
18.	805-109C	PIN COTTER 1/8 X 1 1/4 PLT		
19.	805-388C	PIN HITCH CAT. I-II		
20.	816-504C	MANUAL STORAGE CONTAINER	S/N 543370+	
21.	827-071C	BUSHING STEP 1.25ODX.765IDX.70	Optional Does Not Come W/ Unit	
22.	326-328D	HITCH MOUNT STUB	Welding Required	

# Hitch Components S/N 945303+

Applies to RCR1884



37985

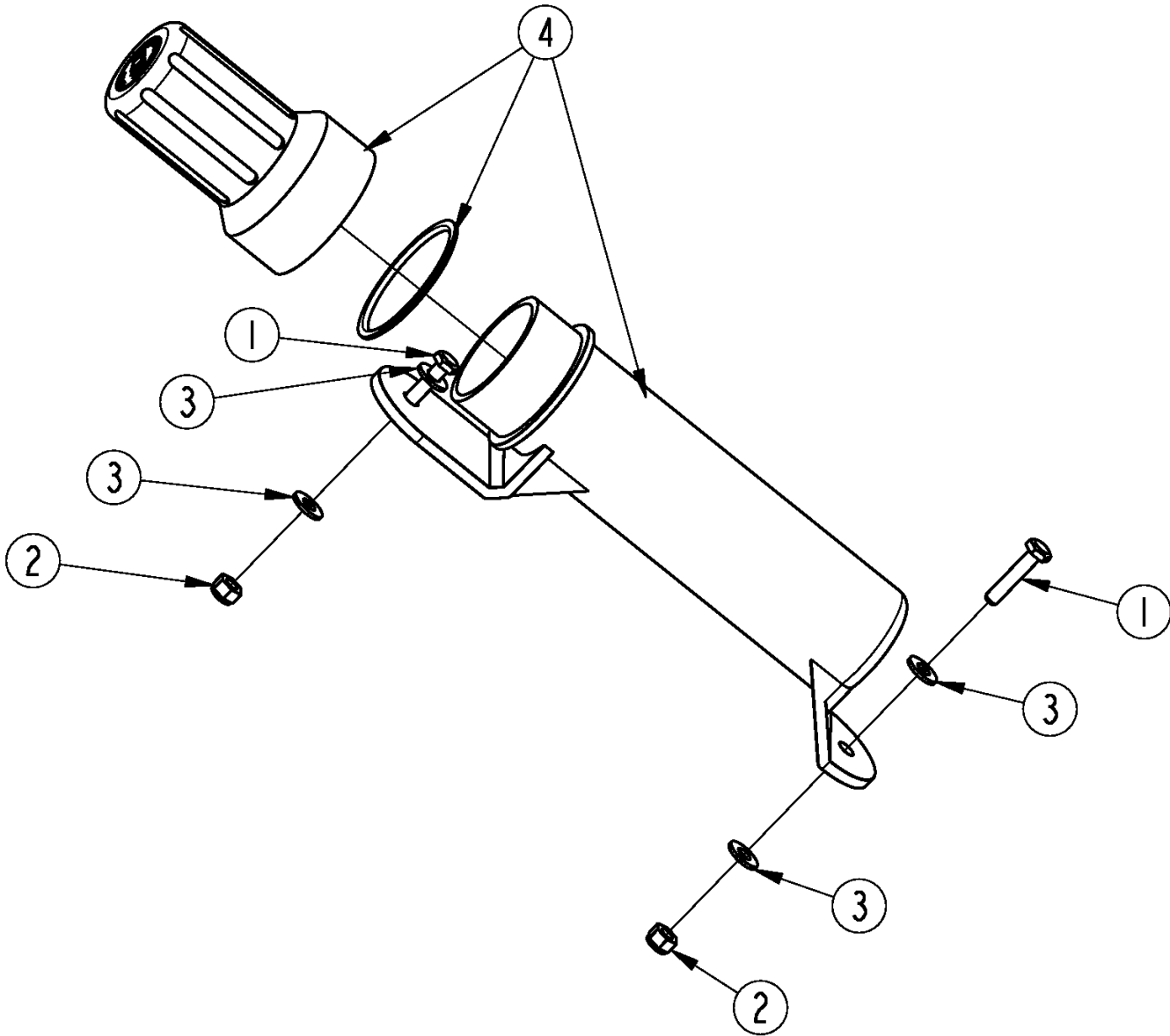


**Hitch Components S/N 945303+****Applies to RCR1884**

<b>Ref</b>	<b>Part No.</b>	<b>Part Description</b>	<b>Comments</b>	<b>Revision</b>
	Dwg 37985	Drawing Image Number		
1.	326-095S	MANUAL CONTAINER KIT, 1 1/4		
2.	326-389H	LH UPPER HITCH STRAP WLDMT		
3.	326-390H	RH UPPER HITCH STRAP WLDMT		
4.	326-546D	BSH 1.12ODX.69IDX.55L		
5.	326-574D	REAR BRACE 84		
6.	327-143S	DRIVELINE HOLDER W/HARDWARE		
7.	327-781D	SHIELD UPPER RH W/1" HOLE	S/N 1315597+ Include decal 858-148C see decal placement	
8.	327-782D	SHIELD UPPER LH W/1" HOLE	S/N 1315597+ Include decal 858-148C see decal placement	
9.	802-053C	HHCS 5/8-11X1 3/4 GR5		
10.	802-055C	HHCS 5/8-11X2 GR5		
11.	802-192C	HHCS 3/4-10X4 1/2 GR5		
12.	803-026C			
12.	803-077C	RPBY 803-026C	Obsolete (S/N 979509+)	
12.	803-181C	NUT HEX FLANGE LOCK 3/4-10 PLT	S/N 979508-	
13.	803-148C	NUT HEX NYLOCK 5/8-11 PLT		
14.	803-263C	NUT HEX FLANGE LOCK 5/8-11 PLT		
15.	804-019C	WASHER FLAT 5/8 USS PLT		
16.	805-088C	PIN, HAIR COTTER 3/16 WIRE DIA		
17.	805-124C	PIN CLVS 1.0X3.69 USBL GR5		
18.	805-485C	PIN HTCH C1-C2 10.18 L		
19.	812-500C	FLOAT TOP HITCH CAST DUCTILE		
20.	827-071C	BUSHING STEP 1.25ODX.765IDX.70	Optional Does Not Come W/ Unit	

# Manual Tube

Applies to RCR1884



39163

**Manual Tube**

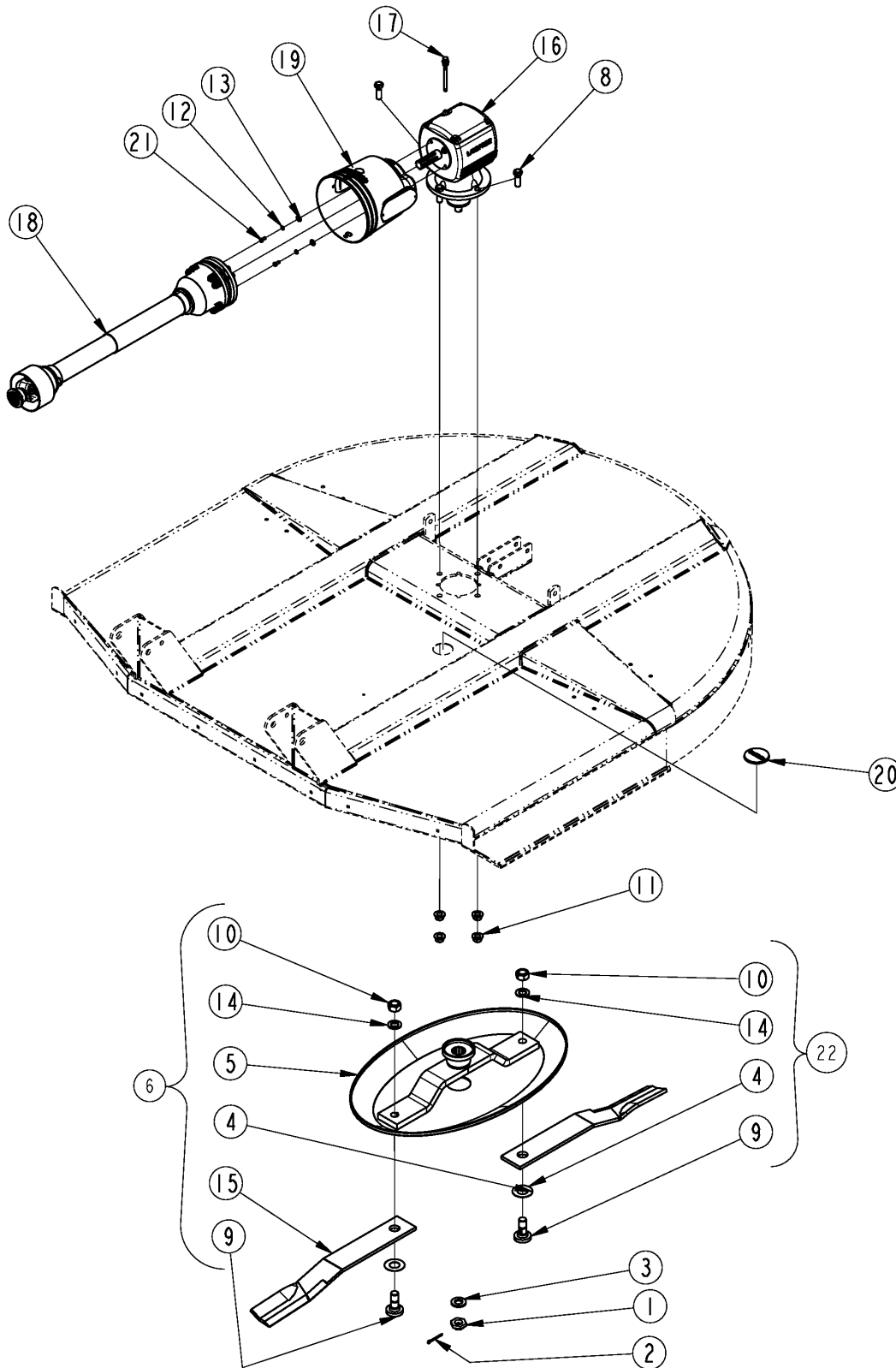
---

**Applies to RCR1884**

<b>Ref</b>	<b>Part No.</b>	<b>Part Description</b>	<b>Comments</b>	<b>Revision</b>
	Dwg 39163 326-095S	Image No. MANUAL CONTAINER KIT, 1 1/4 *	Complete assembly	
1.	802-224C	HHCS 1/4-20X1 1/4 GR5		
2.	803-255C	NUT HEX NYLOCK 1/4-20		
3.	804-007C	WASHER FLAT 1/4 SAE PLT		
4.	816-504C	MANUAL STORAGE CONTAINER		

# Blade Drive

Applies to RCR1884



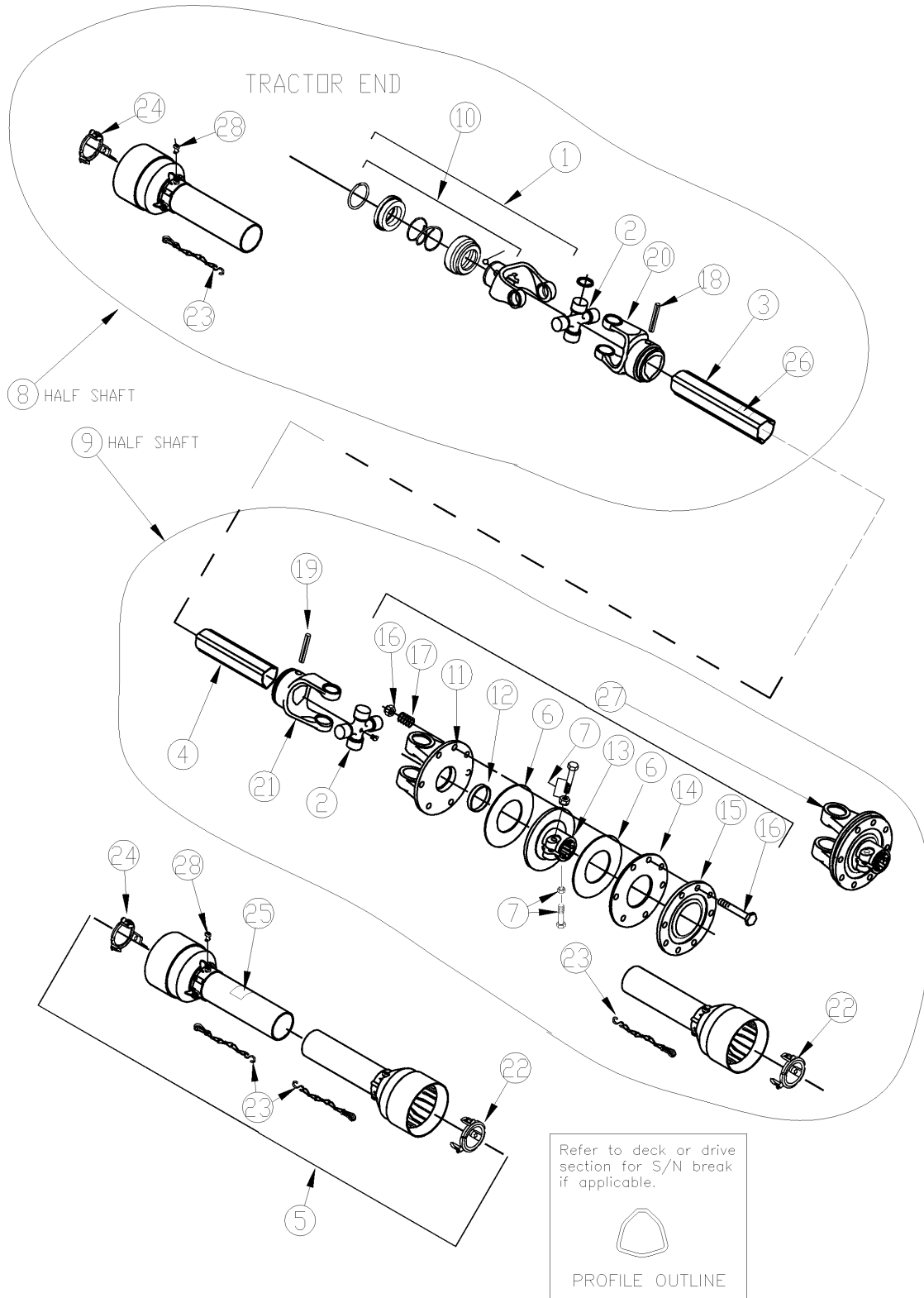
24763

**Blade Drive****Applies to RCR1884**

Ref	Part No.	Part Description	Comments	Revision
	Dwg 24763	Drawing Image Number		
1.	8.2.2.00555	CO NUT, CASTLE M30 X 2		
2.	8.4.7.00146	CO COTTER PIN B6 X 60		
3.	0.139.7101.00	CO BLANK WASHER		
4.	312-075D	BLADE SPACER 16 GA .06 thick	As Required S/N 776426-	
	312-082D	RPBY 312-808D QTY 2	As Required S/N 776426-	
4.	312-089D	BLADE SPACER 20 GA .04 thick	As Required S/N 776426-	
4.	312-808D	BLADE SPACER 24GA .03 thick	As Required S/N 776426-	
5.	312-388H	27 OVAL DISHPAN WELDMNT(OMNI)		
6.	N/A	RCR1884 BLADE CARRIER ASSY		
8.	802-065C	HHCS 3/4-10X2 1/4 GR5	S/N 558465+	
8.	802-064C	HHCS 3/4-10X2 GR5	S/N 558464-	
9.	802-277C	BLADE BOL 1 1/8-12X3 7/16 W/KY		
10.	803-170C	NUT HEX TOP LOCK 1 1/8-12 PLT.		
11.	803-299C	NUT HEX FLG TOP LK 3/4-10 PLT		
12.	804-009C	WASHER LOCK SPRING 5/16 PLT		
13.	804-010C	WASHER FLAT 5/16 USS PLT		
14.	804-147C	WASHER FLAT 1" HARDENED		
15.	820-138C	CUTTER BLADE 1/2 X 4 X 31 CCW		
16.	826-376C	GBOX RC25 1.38-6 1:1.47 STD.		
17.	826-490C	COMER U0.210.7100.00 DIPSTICK		
18.	826-510C	PTO CAT. 4 X 48.42 SLIP CLUTCH		
19.	837-101C	LAND PRIDE CONE		
19.	826-648C	LARGE SHAFT CONE W ACCESS DOOR	Replaced with 837-101C	
20.	840-273C	PLUG LP 3" ID RUBBER		
21.	842-243C	HHCS M8X1.25X20 GR8.8 THD-LCK		
21.	802-314C	RPBY 842-243C		
22.	318-586A	BLADE BOLT KIT	Item 4 not included	

# Driveline w/ 2 Plate Slip Clutch (826-510C)

Applies to RCR1884



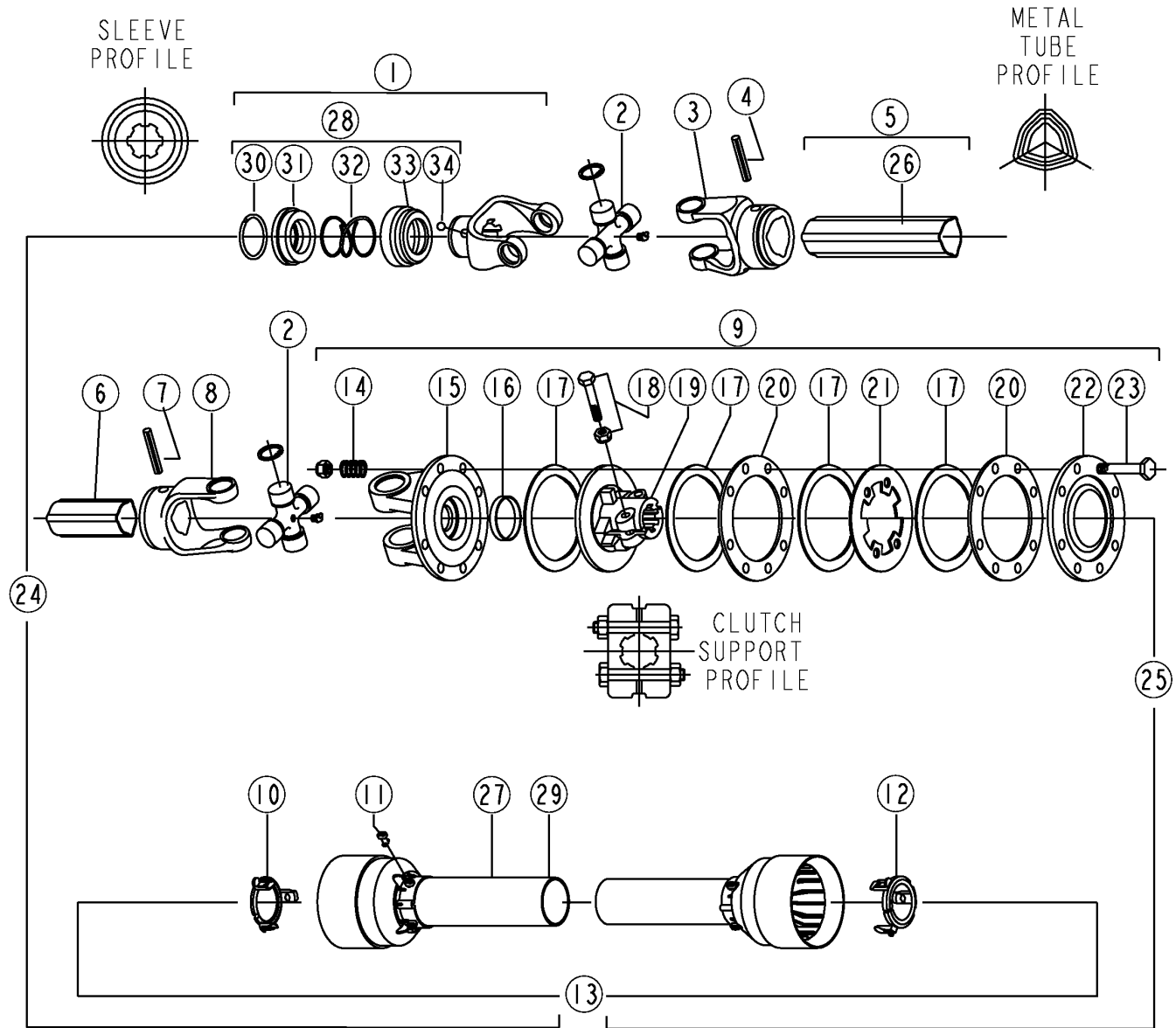
24771

**Driveline w/ 2 Plate Slip Clutch (826-510C)****Applies to RCR1884**

Ref	Part No.	Part Description	Comments	Revision
	dwg24771	Drawing Image Number		
	826-510C	PTO CAT. 4 X 48.42 SLIP CLUTCH *		
1.	141.025.363.1	CO COMPLETE COLLAR YOKE C12		
2.	180.015.130	COMER CROSS JOURNAL SET		
3.	152.150.2140710	CO COMPLETE OUTER TUBE		
4.	153.150.114	CO INNER TUBE		
5.	142.250.3707521	CO COMP. GUARD W/INST. MANUAL		
6.	180.019.018	COMER LINING RING		
7.	165.000.502	COMER NUT & BOLT M12X1.25X65		
8.	123.350.175.11	CO HALF FEMALE SHAFT W/GUARD		
9.	8123.450.326.11	CO HALF MALE SHAFT W/GUARD	S/N _____+	
9.	N/A	CO HALF MALE SHAFT W/GUARD	S/N _____-	
10.	165.000.628	COMER COLLOR KIT 1-3/8 YOKE		
11.	151.015.038.1	CO FLANGED YOKE		
12.	180.019.019	COMER BUSH		
13.	146.252.011.1	CO COMPLETE DISC CLUTCH F22		
13.	151.018.018.1	RPBY 146.252.011.1		
14.	180.019.014	COMER INNER PLATE		
15.	180.019.116.1	COMER PRESSURE PLATE		
16.	165.000.549	CO BOLT M10X85 & NUT		
17.	180.019.017	CO SPRING		
18.	190.000.016	COMER ROLL PIN, INNER TUBE		
19.	190.000.394	COMER ROLL PIN FOR INNER TUBE		
20.	151.015.011.1	RPBY 151.015.011		
20.	151.015.011	COMER OUTER YOKE		
21.	151.015.012.1	CO INNER YOKE		
22.	180.015.289	CO GUARD RETAIN. COLLAR I.T.		
23.	044321	DRIVELINE SHIELD SAFETY CHAIN	S/N 928934-	
24.	180.015.288	CO GUARD RETAIN. COLLAR O.T.		
25.	190.000.099	COMER DANGER LABEL GUARD OUTER		
26.	190.000.098	COMER DANGER LABEL OUTER TUBE		
27.	146.252.011.1	CO COMPLETE DISC CLUTCH F22		
28.	8180.014.240	COMER BOLT		

# Driveline w/ 4 Plate Slip Clutch (826-510C)

Applies to RCR1884



72993

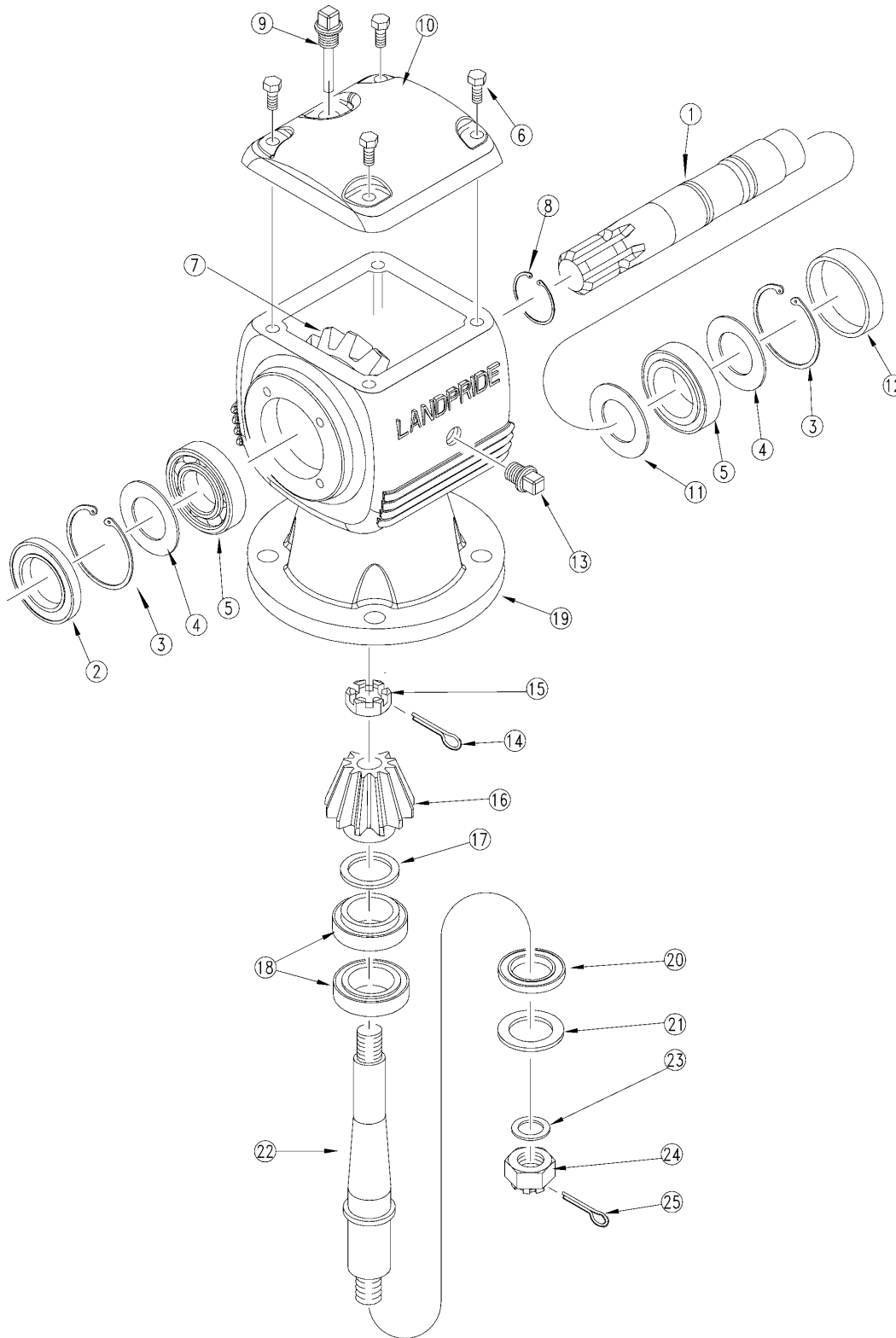


**Driveline w/ 4 Plate Slip Clutch (826-510C)****Applies to RCR1884**

<b>Ref</b>	<b>Part No.</b>	<b>Part Description</b>	<b>Comments</b>	<b>Revision</b>
	Dwg 72993 826-510C	Image No. DRVLN C4 48 1.38-6 QD CLTCH *		
1.	141.025.363.1	CO COMPLETE COLLAR YOKE C12		
2.	180.015.130	COMER CROSS JOURNAL SET		
3.	N/A	COMER OUTER YOKE		
4.	N/A	COMER ROLL PIN, INNER TUBE		
5.	N/A	CO COMPLETE OUTER TUBE		
6.	N/A	CO INNER TUBE		
7.	N/A	COMER ROLL PIN FOR INNER TUBE		
8.	N/A	CO INNER YOKE		
9.	146.254.015.11	CO DISC CLUTCH F42 (11350 NM)		
10.	180.015.288	CO GUARD RETAIN. COLLAR O.T.		
11.	180.014.240	COMER BOLT		
12.	180.015.289	CO GUARD RETAIN. COLLAR I.T.		
13.	142.250.3707521	CO COMP. GUARD W/INST. MANUAL		
14.	180.014.022	COMER SPRING		
15.	151.015.038.1	CO FLANGED YOKE		
16.	180.019.019	COMER BUSH		
17.	180.019.340	COMER LINING RING		
18.	165.000.502	COMER NUT & BOLT M12X1.25X65		
19.	151.019.011.1	CO CLUTCH SUPPORT F42		
20.	180.019.014	COMER INNER PLATE		
21.	180.019.115	COMER INTERMEDIATE PLATE		
22.	180.019.116.1	COMER PRESSURE PLATE		
23.	165.000.548	COMER BOLT WITH NUT M10X100		
24.	8123.350.175.11	CO HALF FEMALE SFT W/GUARDING		
25.	8123.450.326.11	CO HALF MALE SHAFT W/GUARD		
26.	190.000.098	COMER DANGER LABEL OUTER TUBE		
27.	190.000.099	COMER DANGER LABEL GUARD OUTER		
28.	165.000.628	COMER COLLAR KIT 1 3/8 YOKE		
29.	190.000.856	CO LABEL W/ CUSTOMER CODE		
30.	190.000.451	COMER OUTER CIRCLIP		
31.	151.016.486	COMER SLIDING SLEEVE COLLER		
32.	180.016.487	COMER SPRING		
33.	180.016.483	COMER FIXED SLEEVE		
34.	190.000.078	COMER BALL 1/2"		

# Gearbox (826-376C)

Applies to RCR1884



21186

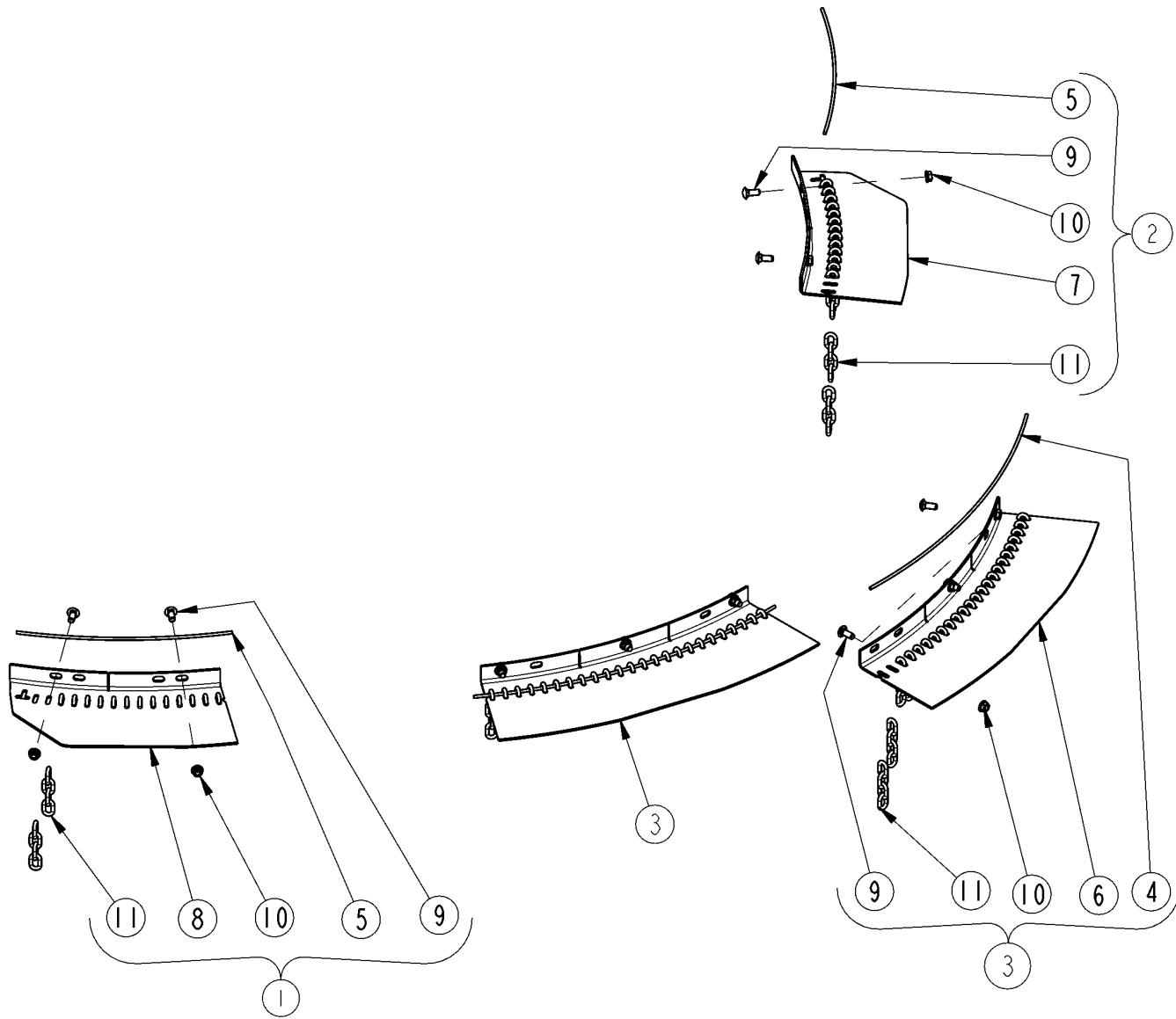
**Gearbox (826-376C)****Applies to RCR1884**

Ref	Part No.	Part Description	Comments	Revision
	Dwg 21186 826-376C	Drawing Image Number GBOX RC25 1.38-6 1:1.47 STD. *		
1.	0.210.2000.00	CO INPUT SHAFT 1.38-6		
2.	8.7.3.00331	CO OIL SEAL 45 X 85 X 10		
3.	8.5.2.00332	CO SNAP RING UNI 7437		
4.	0.709.7500.00	CO SHIM 84.7		
5.	8.0.9.00143	CO BEARING 30209 RTA25		
6.	8.1.1.00501	CO BOLT M10X22 HHB		
7.	0.210.6001.00	CO GEAR CROWN Z23 M6		
8.	8.5.1.00533	CO SNAP RING 50 UNI7435		
9.	826-490C	COMER U0.210.7100.00 DIPSTICK		
10.	0.210.1300.00	CO COVER		
11.	0.252.7525.00	CO SHIM 45.3X2.5		
12.	0.121.7101.00	CO CAP		
13.	8.6.6.00201	CO PLUG 3/8 GAS		
14.	8.4.7.02265	CO COTTER PIN B 5X60		
15.	0.132.7106.00	CO NUT M30 X 1.5		
16.	0.210.5001.00	CO PINION Z16 M6		
17.	0.712.7500.00	CO SHIM 50.3X70.3		
18.	04-011	ITG BEARING ASSEMBLY		
19.	0.210.0300.00	CO CASTING & MACHINE		
20.	8.7.1.01107	CO SEAL (50x90x10)		
21.	0.139.7100.00	CO SEAL RETAINER		
22.	0.210.3001.00	CO OUTPUT SHAFT		
23.	0.139.7101.00	CO BLANK WASHER		
24.	8.2.2.00555	CO NUT, CASTLE M30 X 2		
25.	8.4.7.00146	CO COTTER PIN B6 X 60 *		

Notes: Oil Type 80-90W Capacity 6.5 Pints

# Guard Chain Rear

Applies to RCR1884



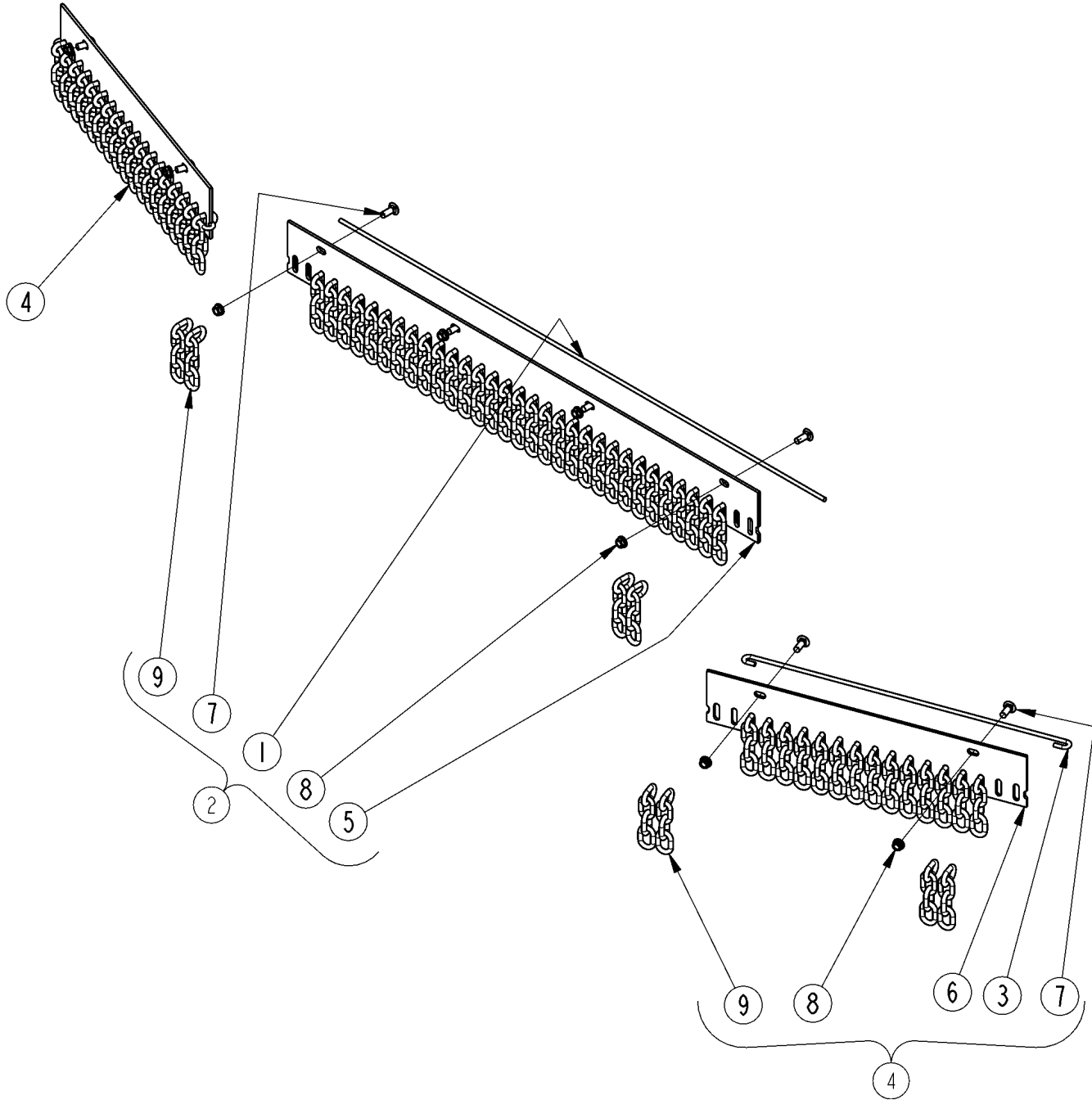
24766

**Guard Chain Rear****Applies to RCR1884**

<b>Ref</b>	<b>Part No.</b>	<b>Part Description</b>	<b>Comments</b>	<b>Revision</b>
	Dwg 24766	Drawing Image Number		
	312-872A	REAR CHAIN GUARD ASSEMBLY *		
1.	312-873K	1884 LH REAR CHN GUARD ASSY		
2.	312-874K	1884 RH REAR CHN GUARD ASSY		
3.	312-875K	1884 CTR REAR CHN GUARD ASSY		
4.	312-891D	ROUND ROD 1/4 X 30 1/2		
5.	318-141D	RPBY 318-618D		
5.	318-618D	ROUND ROD .25 X 21		
6.	326-324D	REAR CTR CHAIN GUARD		
7.	326-325D	REAR RH CHAIN GUARD		
8.	326-326D	REAR LH CHAIN GUARD		
9.	802-214C	RHSNB 1/2-13X1 1/4 GR5		
10.	803-037C	NUT HEX WHIZ 1/2-13 PLT		
11.	890-400C	CHAIN WELD 5/16 PROOF X 4 LINK		

# Guard Chain Single Front

Applies to RCR1884



24764

## **Guard Chain Single Front**

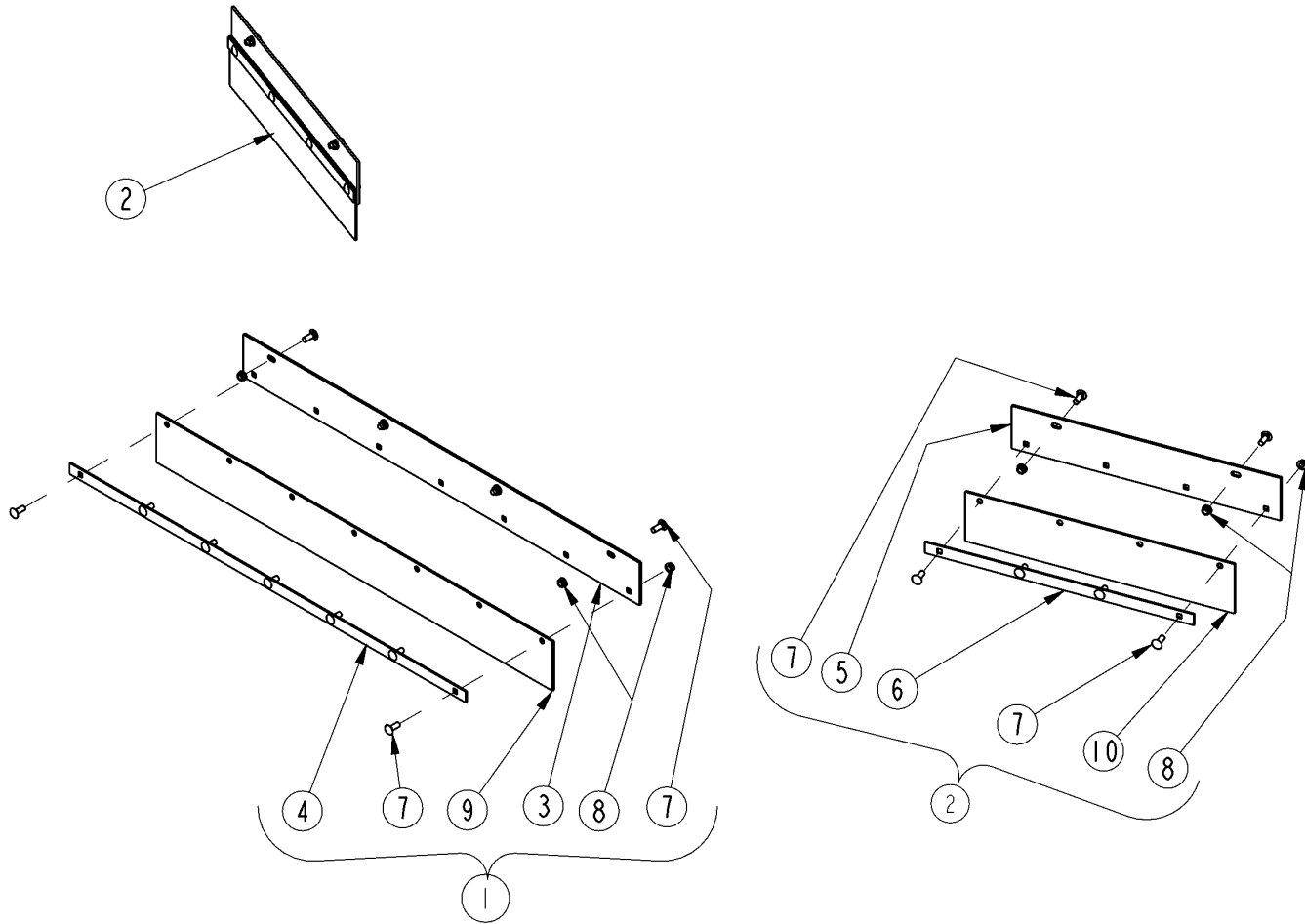
---

### **Applies to RCR1884**

<b>Ref</b>	<b>Part No.</b>	<b>Part Description</b>	<b>Comments</b>	<b>Revision</b>
	dwg24764	Drawing Image Number		
	312-869A	FRONT CHAIN GUARD ASSEMBLY *		
1.	312-737D	ROD 1/4 X 43 PLTD.		
2.	312-870K	FRONT CHAIN GUARD ASSY		
3.	318-337D	ROUND ROD 1/4 X 25		
4.	326-034K	SIDE CHAIN GUARD ASSY		
5.	326-323D	FRONT CHAIN GUARD		
6.	326-362D	SIDE CHAIN GUARD		
7.	802-015C	RHSNB 3/8-16X1 GR5		
8.	803-198C	NUT HEX WHIZ 3/8-16 PLT		
9.	890-400C	CHAIN WELD 5/16 PROOF X 4 LINK		

# Guard Rubber Front

Applies to RCR1884



24765



**Guard Rubber Front**

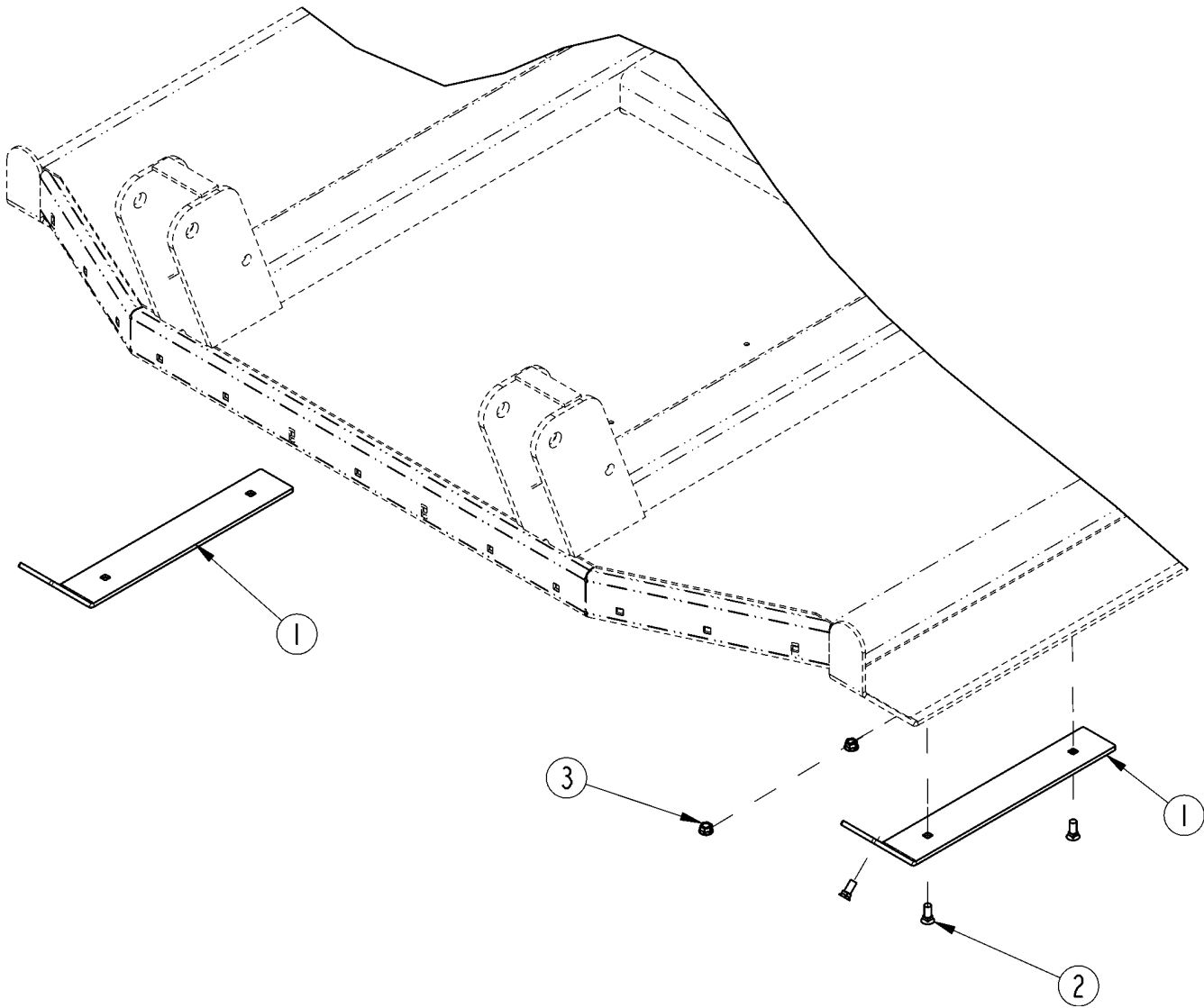
---

**Applies to RCR1884**

<b>Ref</b>	<b>Part No.</b>	<b>Part Description</b>	<b>Comments</b>	<b>Revision</b>
	dwg24765	Drawing Image Number		
	312-866A	1884 FRONT RUBBER COMPLETE *		
1.	312-867K	FRONT RUBBER DEFLECTOR ASSY		
2.	326-033K	SIDE RUBBER DEFLECTOR ASSY		
3.	326-321D	FRONT DEFLECTOR BRACKET		
4.	326-322D	DEFLECTOR SUPPORT FLAT		
5.	326-360D	SIDE DEFLECTOR BRACKET		
6.	326-361D	SIDE DEFLECTOR SUPPORT FLAT		
7.	802-015C	RHSNB 3/8-16X1 GR5		
8.	803-198C	NUT HEX WHIZ 3/8-16 PLT		
9.	816-526C	RUBBER DEFLECTOR		
10.	816-538C	SIDE RUBBER DEFLECTOR		

# Skid Shoe Kit

Applies to RCR1884



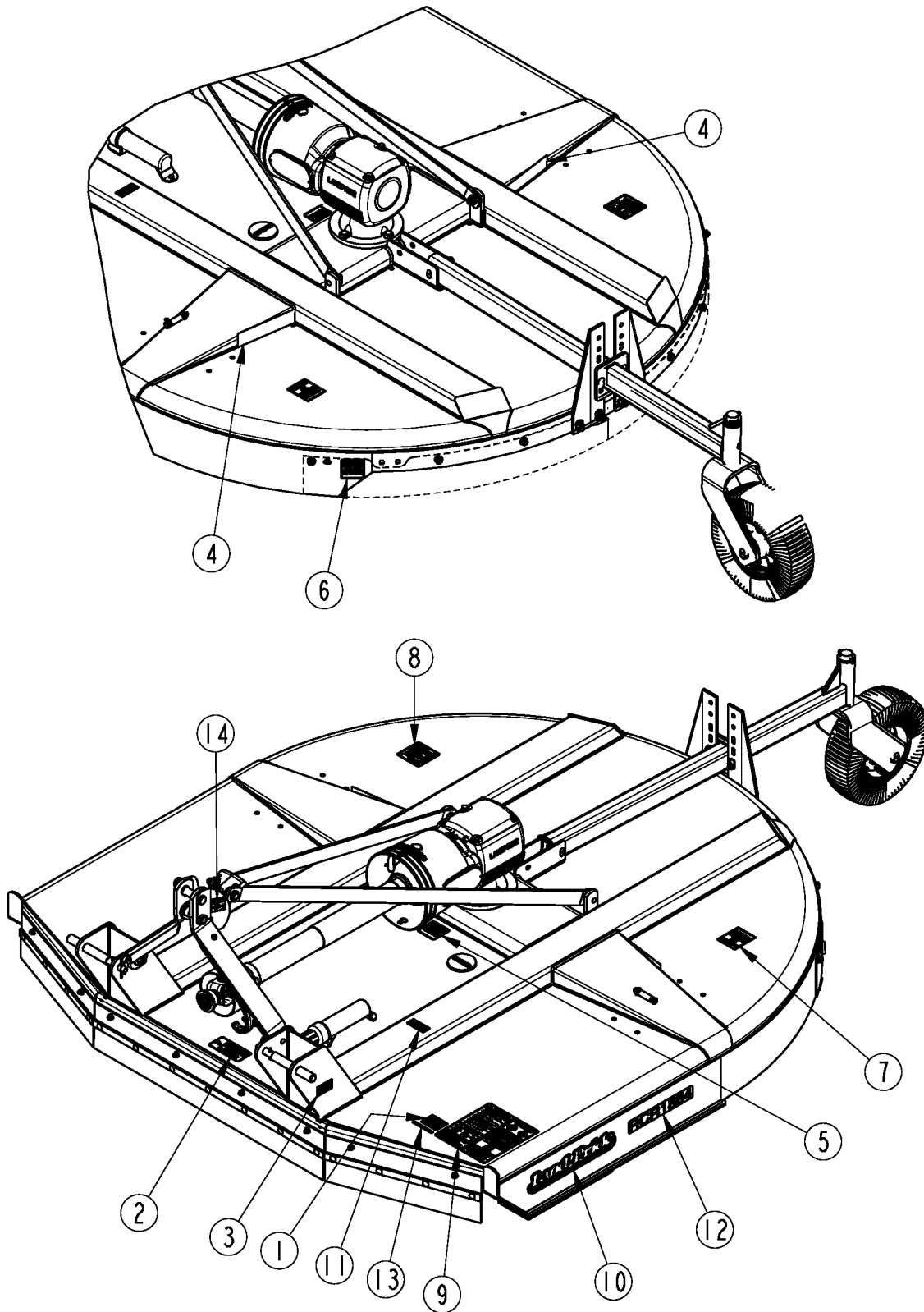
25895

**Skid Shoe Kit****Applies to RCR1884**

<b>Ref</b>	<b>Part No.</b>	<b>Part Description</b>	<b>Comments</b>	<b>Revision</b>
	dwg25895 326-120A	Drawing Image Number RCR18 SKID SHOE KIT	RCR1860 S/N 571874+ RCR1872 S/N 571210+ & RCR1884 S/N 563801+RCF2060 & RCF2072 Accessory Order Thru Parts Department	
		*		
1.	326-221D	SKID SHOE RCR18		
2.	802-603C	PLOW 3/8-16X1 GR5		
3.	803-198C	NUT HEX WHIZ 3/8-16 PLT		

# Decal Placement

Applies to RCR1884



24770

***Decal Placement*****Applies to RCR1884**

<b>Ref</b>	<b>Part No.</b>	<b>Part Description</b>	<b>Comments</b>	<b>Revision</b>
	Dwg 24770	Drawing Image Number		
1.	818-130C	DECAL WARNING 540 RPM		
2.	818-142C	DECAL DANGER PTO DRIVELINE EN		
3.	N/A			
4.	838-614C	DECAL REFLECTOR RED 2X9	S/N 813017+	
4.	818-230C	DECAL RED REFLECTOR	S/N 813016-	
5.	818-543C	DECAL DANGER PD GUARD MISS SML		
6.	818-543C	DECAL DANGER PD GUARD MISS SML		
7.	818-556C	DECAL DANGER THROWN OBJ CUTTER		
8.	818-555C	DECAL DANGER ROTATE BLADE		
8.	818-564C	RPBY 818-555C	Obsolete	
9.	818-830C	DECAL SAFETY COMBO SUNWEST	S/N 1538230-	
9.	844-190C	DECAL SINGLE DECK SAFETY COMBO	S/N 1538231+	
10.	818-903C	RPBY 838-965C	Beige Unit	
10.	838-965C	DECAL LANDPRIDE 16" BROWN/GOLD	Orange, Red & Green Unit	
11.	838-517C	DECAL QUICK HITCH SYSTEM		
12.	838-895C	DECAL RCR1884-GOLD		
12.	848-121C	RPBY 838-895C	Obsolete	
13.	NA	DECAL. PROP65 VINYL	Removed on Single deck cutters	
14.	858-148C	DECAL PIC--PINCH POINT	S/N 1315597+	

***Touch-up Paints - LP***

---

Applies to RCR1884

**No diagram associated with this Parts List**

**Touch-up Paints - LP****Applies to RCR1884**

<b>Ref</b>	<b>Part No.</b>	<b>Part Description</b>	<b>Comments</b>	<b>Revision</b>
1.	821-011C	LP BEIGE SPRAY CAN	Spray can	
1.	821-011CTU	LP BEIGE TOUCH-UP 5OZ	Touch-up bottle with brush	
1.	821-011CQT	LP BEIGE QUART	Quart can	
1.	821-011CGL	LP BEIGE GALLON	Gallon can	
2.	821-070C	GLOSS BLACK SPRAY CAN	Spray can	
2.	821-070CTU	GLOSS BLACK TOUCH-UP 5OZ	Touch-up bottle with brush	
2.	821-070CQT	GLOSS BLACK QUART	Quart can	
2.	821-070CGL	GLOSS BLACK GALLON	Gallon can	
3.	821-054C	MED. RED SPRAY TRCK/CTR	Spray can	
3.	821-054CTU	MED RED TOUCH-UP 5OZ	Touch-up bottle with brush	
3.	821-054CQT	MED RED QUART	Quart can	
3.	821-054CGL	MED RED GALLON	Gallon can	
4.	821-058C	GREEN SPRAY CUTTERS	Spray can	
4.	821-058CTU	GREEN TOUCH-UP 5OZ	Touch-up bottle with brush	
4.	821-058CQT	GREEN QUART	Quart can	
4.	821-058CGL	GREEN GALLON	Gallon can	
5.	821-066C	ORANGE SPRAY CAN	Spray can	
5.	821-066CTU	ORANGE TOUCH-UP 5OZ	Touch-up bottle with brush	
5.	821-066CQT	ORANGE QUART	Quart can	
5.	821-066CGL	ORANGE GALLON	Gallon can	
6.	821-067C	BLUE SPRAY CAN	Spray can	
6.	821-067CTU	BLUE TOUCH-UP 5OZ	Touch-up bottle with brush	
6.	821-067CQT	BLUE QUART	Quart can	
6.	821-067CGL	BLUE GALLON	Gallon can	
7.	821-080C	PAINT ALUMINUM/ZINC SPRAY CAN	Spray can	
7.	821-080CTU	PAINT ALUMINUM/ZINC TOUCH UP	Touch-up bottle with brush	
7.	821-080CQT	PAINT ALUMINUM/ZINC QUART	Quart can	
7.	821-080CGL	PAINT ALUMINUM/ZINC GALLON	Gallon can	



# Part Number Index

The Part Number Index is a numeric index of all part numbers included in this manual. The index shows what page(s) the part is used on.

Part Number	Page	Part Number	Page	Part Number	Page	Part Number	Page
0.121.7101.00	27	312-879H	11, 13	802-192C	15, 17	821-011CTU	39
0.132.7106.00	27	312-891D	29	802-214C	29	821-054C	39
0.139.7100.00	27	318-141D	29	802-224C	15, 19	821-054CGL	39
0.139.7101.00	21, 27	318-337D	31	802-277C	21	821-054CQT	39
0.210.0300.00	27	318-586A	21	802-280C	11, 13	821-054CTU	39
0.210.1300.00	27	318-618D	29	802-314C	21	821-058C	39
0.210.2000.00	27	326-019H	7	802-326C	11, 13	821-058CGL	39
0.210.3001.00	27	326-019H81	7	802-603C	35	821-058CQT	39
0.210.5001.00	27	326-019H82	7	803-024C	11, 13	821-058CTU	39
0.210.6001.00	27	326-019H83	7	803-026C	11, 13, 17	821-066C	39
0.252.7525.00	27	326-033K	33	803-037C	7, 29	821-066CGL	39
0.709.7500.00	27	326-034K	31	803-077C	17	821-066CQT	39
0.712.7500.00	27	326-035H	11	803-148C	17	821-066CTU	39
04-011	27	326-095S	17, 19	803-169C	11, 13	821-067C	39
044321	23	326-120A	35	803-170C	21	821-067CGL	39
123.350.175.11	23	326-188D	15	803-177C	9	821-067CQT	39
141.025.363.1	23, 25	326-221D	35	803-180C	15	821-067CTU	39
142.250.3707521	23, 25	326-294D	11	803-181C	15, 17	821-070C	39
146.252.011.1	23	326-295D	11	803-198C	31, 33, 35	821-070CGL	39
146.254.015.11	25	326-296D	11	803-255C	15, 19	821-070CQT	39
151.015.011	23	326-297D	11	803-263C	15, 17	821-070CTU	39
151.015.011.1	23	326-317D	15	803-289C	11, 13	821-080C	39
151.015.012.1	23	326-319D	15	803-299C	21	821-080CGL	39
151.015.038.1	23, 25	326-320D	15	803-308C	11, 13	821-080CQT	39
151.016.486	25	326-321D	33	804-007C	15, 19	821-080CTU	39
151.018.018.1	23	326-322D	33	804-009C	21	822-091C	11, 13
151.019.011.1	25	326-323D	31	804-010C	21	822-092C	11, 13
152.150.2140710	23	326-324D	29	804-015C	11, 13	826-376C	21, 27
153.150.114	23	326-325D	29	804-016C	11, 13	826-490C	21, 27
165.000.502	23, 25	326-326D	29	804-019C	17	826-510C	21, 23, 25
165.000.548	25	326-327D	7	804-021C	11, 13	826-648C	21
165.000.549	23	326-328D	15	804-024C	15	827-036C	11, 13
165.000.628	23, 25	326-329D	15	804-036C	9	827-071C	15, 17
180.014.022	25	326-360D	33	804-039C	15	837-062C	9
180.014.240	25	326-361D	33	804-066C	11, 13	837-063C	9
180.015.130	23, 25	326-362D	31	804-147C	21	837-101C	21
180.015.288	23, 25	326-365D	13	804-156C	15	838-517C	37
180.015.289	23, 25	326-366D	13	805-088C	17	838-614C	37
180.016.483	25	326-389H	17	805-103C	15	838-895C	37
180.016.487	25	326-390H	17	805-109C	15	838-965C	37
180.019.014	23, 25	326-546D	17	805-124C	17	840-273C	21
180.019.017	23	326-574D	17	805-255C	11, 13	842-243C	21
180.019.018	23	327-143S	9, 17	805-388C	15	844-190C	37
180.019.019	23, 25	327-781D	17	805-485C	17	848-121C	37
180.019.115	25	327-782D	17	807-350C	9	858-148C	37
180.019.116.1	23, 25	8.0.9.00143	27	812-500C	17	890-400C	29, 31
180.019.340	25	8.1.1.00501	27	8123.350.175.11	25	890-961C	11, 13
190.000.016	23	8.2.2.00555	21, 27	8123.450.326.11	23, 25	Dwg 21186	27
190.000.078	25	8.4.7.00146	21, 27	814-058C	11, 13	Dwg 24763	21
190.000.098	23, 25	8.4.7.02265	27	814-161C	11, 13	Dwg 24766	29
190.000.099	23, 25	8.5.1.00533	27	815-092C	11, 13	Dwg 24770	37
190.000.394	23	8.5.2.00332	27	815-230C	11, 13	Dwg 37985	17
190.000.451	25	8.6.6.00201	27	816-286C	11, 13	Dwg 39163	19
190.000.856	25	8.7.1.01107	27	816-504C	15, 19	Dwg 72257	9
312-075D	21	8.7.3.00331	27	816-526C	33	Dwg 72993	25
312-082D	21	800-001C	11, 13	816-538C	33	dwg24761	7
312-089D	21	800-080C	11, 13	818-130C	37	dwg24762	15
312-388H	21	802-010C	9	818-142C	37	dwg24764	31
312-616D	13	802-015C	31, 33	818-230C	37	dwg24765	33
312-629D	11	802-041C	11, 13	818-543C	37	dwg24768	13
312-737D	31	802-053C	15, 17	818-555C	37	dwg24769	11
312-808D	21	802-055C	17	818-556C	37	dwg24771	23
312-866A	33	802-064C	21	818-564C	37	dwg25895	35
312-867K	33	802-065C	21	818-830C	37	N/A	11, 13, 21, 23, 25, 37
312-869A	31	802-091C	11	818-903C	37	NA	37
312-870K	31	802-106C	11, 13	8180.014.240	23		
312-872A	29	802-135C	11, 13	820-138C	21		
312-873K	29	802-138C	9	821-011C	39		
312-874K	29	802-153C	11, 13	821-011CGL	39		
312-875K	29	802-183C	7	821-011CQT	39		



***This Page Intentionally Left Blank***



Great Plains Manufacturing, Inc.

Corporate Office: P.O. Box 5060  
Salina, Kansas 67402-5060 USA

[www.landpride.com](http://www.landpride.com)

---