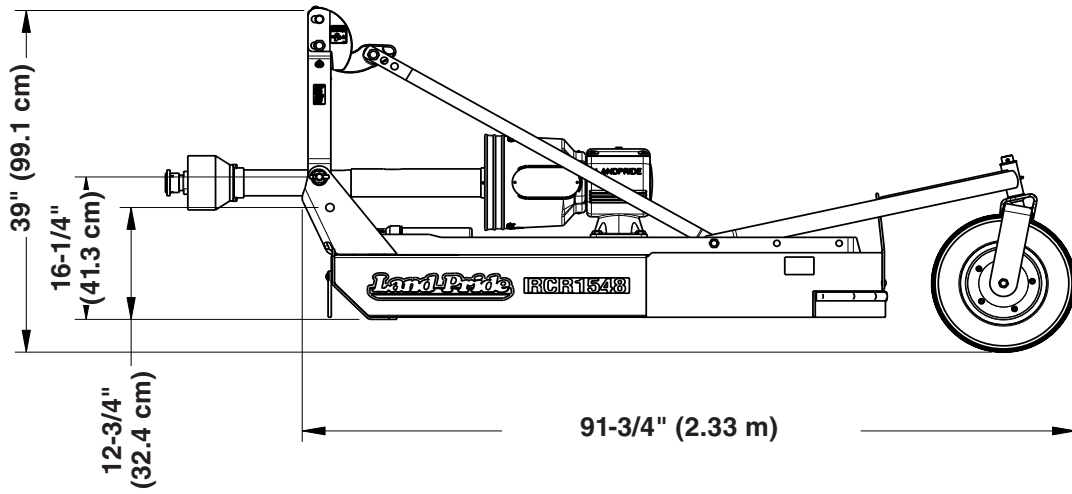
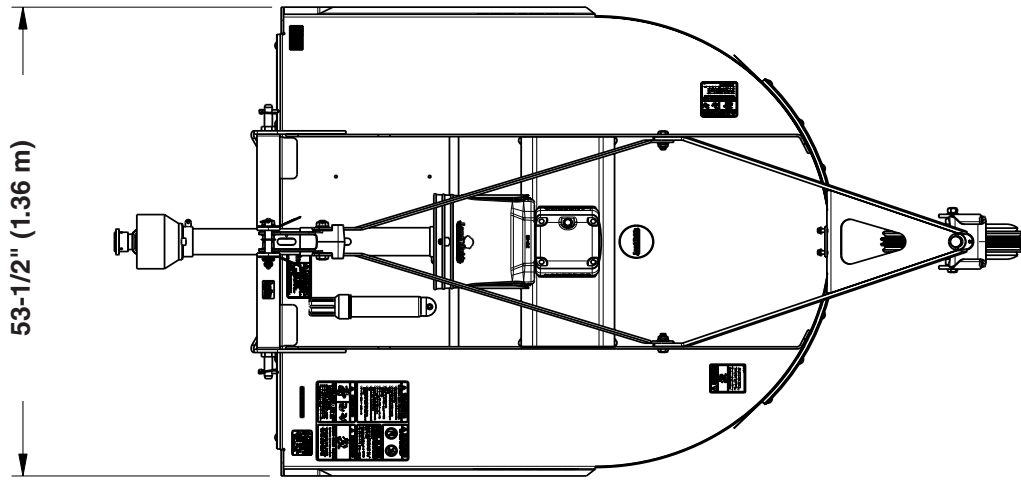


RCR1548 Rotary Cutters

Specifications & Capacities	
Implement weight (with front guard)	424 lbs (192.3 kg)
Hitch	Category 1 & Category 1 limited, Quick Hitch ready
Cutting width	47 1/2" (1.21 m)
Overall width	53 1/2" (1.36 m)
Overall length (including tailwheel)	91 3/4" (2.33 m)
Deck height (Bottom of deck to bottom of skid shoe)	7 1/4" (18.4 cm)
Cutting height	1 3/4" - 11 1/2" (4.4 cm - 29.2 cm)
Cutting capacity	2" (5.1 cm) (Grass, weeds & light brush)
Recommended tractor hp	20-60 hp (15-45 kw)
Power take-off speed	540 rpm
Gearbox hp rating	65 hp (37.3 kw)
Gearbox with speed up beveled gears	540 input rpm gearbox 1:1.93 Cast iron housing
Gearbox oil capacity & lubrication	4.5 Pints (2.13 L) of gear lube 80-90w EP
Deck construction	One piece reinforced deck
Deck material thickness	12 Gauge (2.7 mm)
Skids shoes	1/4" X 2" (6 mm x 5.1 cm) Weld-on
Stump jumper	Round pan 10 ga. x 24" (61.0 cm)
Blades (2)	1/2" x 3" (1.3 cm x 7.6 cm) Heat treated alloy steel Free-swinging blades
Blade bolts	Keyed with harden flat washer and locknut
Blade tip speed	13,090 fpm (66.5 mps)
Driveline	ASAE Category 3
Driveline protection	Standard 1/2" (13 mm) center shearbolt protection Optional - Center bolt 2 plate slip clutch
Tailwheel	4" x 16" Solid rubber tire
Safety guards (Optional)	Rubber (front and rear)



30246