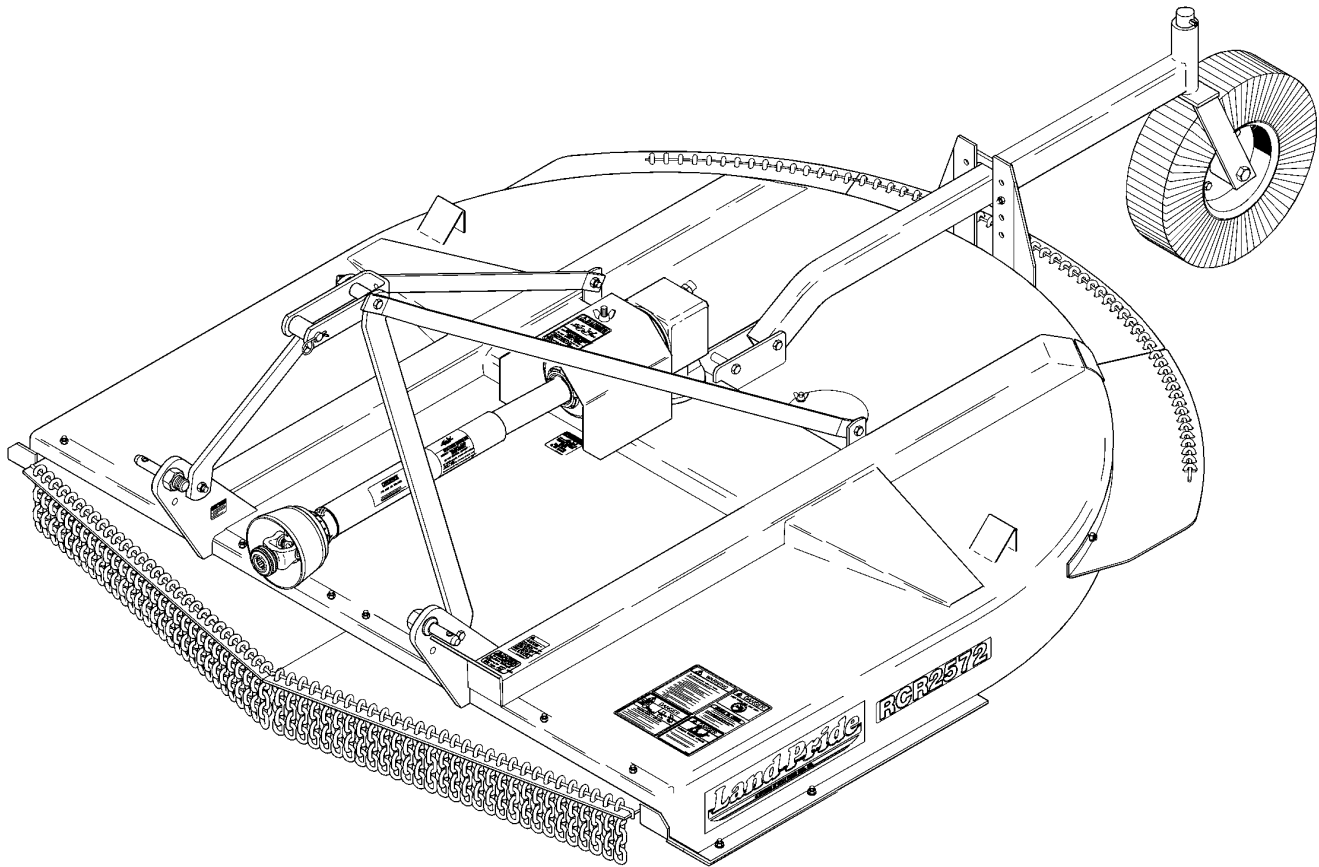


Rotary Cutter

**RCR2560, RCR2572, RCR2584 & RCR2684 S/N
1180233-**



13453

312-459P Parts Manual



Read the Operator's Manual entirely. When you see this symbol, the subsequent instructions and warnings are serious - follow without exception. Your life and the lives of others depend on it!

© Copyright 2019 Printed 07/16/19

Cover photo may show optional equipment not supplied with standard unit.





Table of Contents

Section 1: Introduction.....4
 Using This Manual.....4
 Manual Replacement Information.....4
 Manual Revisions.....4
 Touch-up Paint.....4
 Hardware Legend.....5
 Replacement Hardware.....5
 Serial Numbers.....5
 Part Number Service Coding.....5

Section 2: Decks.....6
 Check Chain Kit.....6
 Driveline & Bearing Support.....8
 Hitch 3-Point Quick S/N 584254-.....10
 Hitch 3-Point Quick S/N 584255+.....12
 Hitch A-Frame S/N 584254-.....14
 Hydraulic Lift.....16
 Hydraulic Lift S/N.....18
 RCR2560 & RCR2572 Deck.....20
 RCR2584 & RCR2684 Deck.....24
 Rear Axle.....28
 Tailwheel.....30
 Tailwheel Dual.....32
 Tailwheel Single.....34
 Tongue.....36

Section 3: Guards.....38
 Guard Front Chain.....38
 Guard Front Rubber.....40
 Guard Front Safety Chain.....42
 Guard Front Safety Rubber.....44
 Guard Rear Chain.....46
 Guard Rear Safety Chain.....48

Section 4: Drivelines.....50
 Driveline (826-146C) EC New Shields.....50
 Driveline (826-146C) EC Old Shields.....52
 Driveline (826-147C) EC New Shields.....54
 Driveline (826-147C) EC Old Shields.....56
 Driveline Fixed Shaft (826-151C) EC New Shielding.....58
 Driveline Fixed Shaft (826-151C) EC Old Shielding.....60
 Driveline Jackshaft (826-152C) EC New Shielding.....62
 Driveline Jackshaft (826-152C) EC Old Shielding.....64
 Driveline Lift Type Cutter (826-150C) EC New Shielding...66
 Driveline Lift Type Cutter (826-150C) EC Old Shielding....68
 Driveline Slip Clutch (1466030).....70
 Driveline Slip Clutch (1466030).....72
 Driveline W/ Slip Clutch (826-673C).....74

Section 5: Gearboxes.....76
 Gearbox (826-035C) ITG (S/N 160730 to 191029).....76
 Gearbox (826-035C) OMNI (S/N 160729-).....78
 Gearbox (826-035C) OMNI (S/N 191030+).....80

Gearbox (826-038C) OMNI.....82
 Gearbox (826-377C) Comer.....84

Section 6: Hydraulics.....86
 Hydraulic Cylinder (810-200C) Midway.....86
 Hydraulic Cylinder (810-200C) Red Lion.....88

Section 7: Labels.....90
 Label Placement.....90
 Label Placement.....92
 Land Pride Touch-up Paints.....94

Part Number Index.....96

© Copyright 2019. All rights reserved.

Land Pride provides this publication "as is" without warranty of any kind, either expressed or implied. While every precaution has been taken in the preparation of this manual, Land Pride assumes no responsibility for errors or omissions. Neither is any liability assumed for damages resulting from the use of the information contained herein. Land Pride reserves the right to revise and improve its products as it sees fit. This publication describes the state of this product at the time of its publication, and may not reflect the product in the future. The illustrations in this manual are not intended for safe and proper assembly or disassembly of equipment. The illustrations are intended for ordering parts only.

Land Pride is registered trademark.

All other brands and product names are trademarks or registered trademarks of their respective holders.

Printed in the United States of America.



Alphabetized Table of Contents

C	Tongue.....	36
	Check Chain Kit.....	6
D		
	Driveline & Bearing Support.....	8
	Driveline (826-146C) EC New Shields.....	50
	Driveline (826-146C) EC Old Shields.....	52
	Driveline (826-147C) EC New Shields.....	54
	Driveline (826-147C) EC Old Shields.....	56
	Driveline Fixed Shaft (826-151C) EC New Shielding....	58
	Driveline Fixed Shaft (826-151C) EC Old Shielding....	60
	Driveline Jackshaft (826-152C) EC New Shielding.....	62
	Driveline Jackshaft (826-152C) EC Old Shielding.....	64
	Driveline Lift Type Cutter (826-150C) EC New Shielding.....	66
	Driveline Lift Type Cutter (826-150C) EC Old Shielding.....	68
	Driveline Slip Clutch (1466030).....	70
	Driveline Slip Clutch (1466030).....	72
	Driveline W/ Slip Clutch (826-673C).....	74
G		
	Gearbox (826-035C) ITG (S/N 160730 to 191029).....	76
	Gearbox (826-035C) OMNI (S/N 160729-).....	78
	Gearbox (826-035C) OMNI (S/N 191030+).....	80
	Gearbox (826-038C) OMNI.....	82
	Gearbox (826-377C) Comer.....	84
	Guard Front Chain.....	38
	Guard Front Rubber.....	40
	Guard Front Safety Chain.....	42
	Guard Front Safety Rubber.....	44
	Guard Rear Chain.....	46
	Guard Rear Safety Chain.....	48
H		
	Hitch 3-Point Quick S/N 584254-.....	10
	Hitch 3-Point Quick S/N 584255+.....	12
	Hitch A-Frame S/N 584254-.....	14
	Hydraulic Cylinder (810-200C) Midway.....	86
	Hydraulic Cylinder (810-200C) Red Lion.....	88
	Hydraulic Lift.....	16
	Hydraulic Lift S/N.....	18
L		
	Label Placement.....	90
	Label Placement.....	92
	Land Pride Touch-up Paints.....	94
R		
	RCR2560 & RCR2572 Deck.....	20
	RCR2584 & RCR2684 Deck.....	24
	Rear Axle.....	28
T		
	Tailwheel.....	30
	Tailwheel Dual.....	32
	Tailwheel Single.....	34

General Information

Using This Manual

This manual is divided into sections. The first section contains General Information. The remaining sections divide the machine into segments (i.e. Frames, Drives, Hydraulics, etc.) which illustrate and list all parts. A Parts Number Index is located at the back of the book.

The Land Pride parts in this manual are specially designed for this machine and should be replaced with Land Pride parts only.

The information in this manual is current at time of printing. Some parts may change to assure top performance.

Right-hand and left-hand as used in this manual are determined by facing the direction the machine will travel while in use.

Below is an example of two facing pages from a parts manual. Familiarize yourself with the type of information contained on these pages.

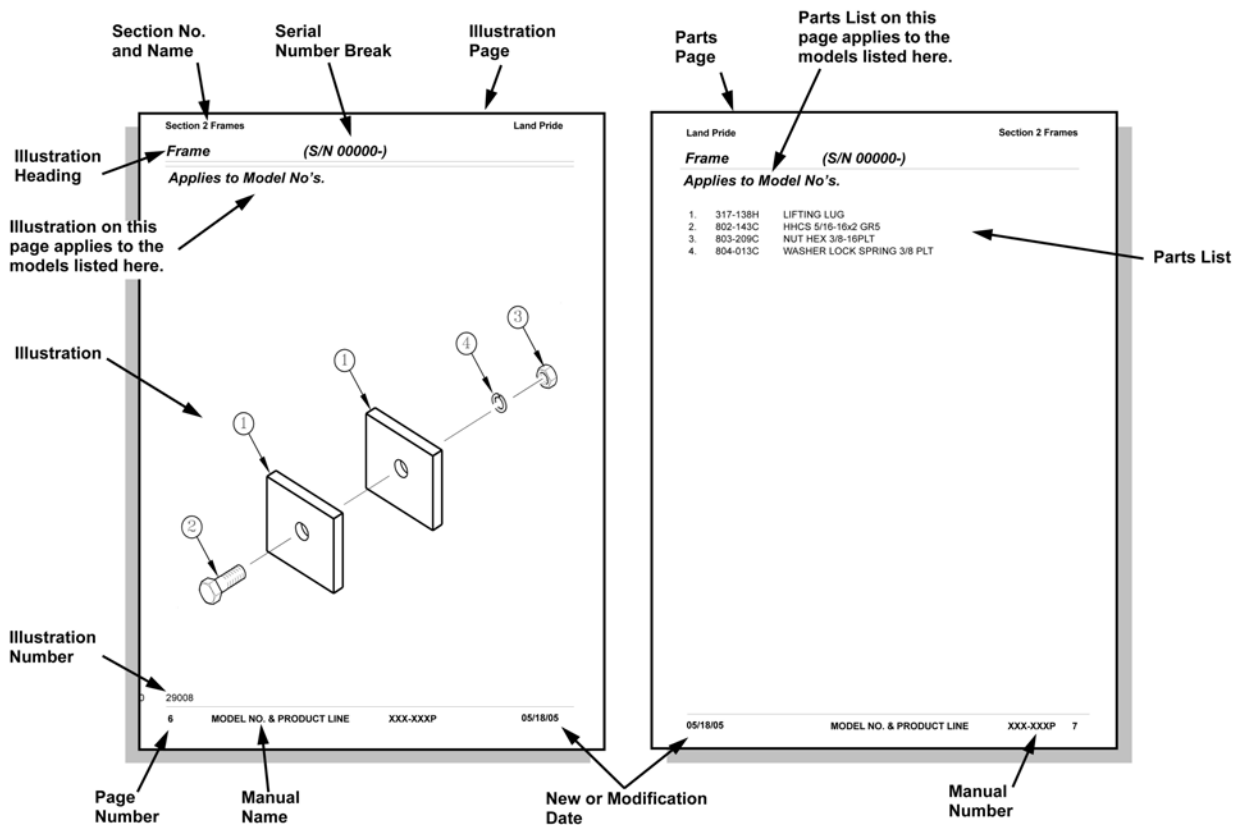
Manual Replacement Information

Replacement manuals are available. Refer to our website at www.landpride.com or e-mail us at lit@landpride.com for additional information. Our website continues to provide the most up-to-date manuals available.

Touch-up Paint

Repaint parts where paint is worn or scratched to prevent rust. Aerosol cans and touch-up bottles with brush applicator are available through your local dealer. Also available are quart and gallon size paints. Add QT or GL to end of the Aerosol P/N.

Land Pride color descriptions and part numbers are listed on the "Land Pride Touch-up Paints" page in the "Decals" section of this book. Color options vary by product.



General Information

Hardware Legend

AR	As Required
BLADE	Blade Bolt
C	Cap Screw
CP	Cotter Pin
CPHSSS	Cup Point Hex Socket Set Screw
CPSHSS	Cup Point Square Head Set Screw
CPSQHSS	Cup Point Square Head Set Screw
CRFCHMS3	Cross Recess Flat Countersunk Head Machine Screw
CRPHMS	Cross Recess Pan Head Machine Screw
CRPHTF	Cross Recess Pan Head Thread Forming
CRRHMS	Cross Recess Round Head Machine Screw
CRTHMS	Cross Recess Truss Head Machine Screw
CSNB	Countersunk Square Neck Bolt
FHMS	Flat Head Machine Screw
FTC	Full Thread Cap Screw
H	Hex Nut
HCLN	Hex Center Lock Nut
HFLCS	Hex Flange Lock Cap Screw
HFS	Hex Flange Screw
HFSLN	Hex Flange Serrated Lock Nut
HFSS	Hex Flange Serrated Screw
HHCS	Hex Head Cap Screw or Metric Bolt
HSBHCS	Hex Socket Button Head Cap Screw
HSFCHCS	Hex Socket Flat Countersunk Head Cap Screw
HSHCS	Hex Socket Head Cap Screw
HSSS	Hex Socket Head Screw
HTLN	Hex Top Lock Nut
HWHCS	Hex Washer Head Cap Screw

HWHMS	Hex Washer Head Machine Screw
HXBHCS	Hex Socket Button Head Cap Screw
J	Hex Jam Nut
JIC	37 Degree Tapered Thread
L	Helical Spring Lock Washer
LUG	Lug Bolt
NFC	National Fine Cap Screw
NPSM	National Pipe Straight Mechanical
NPTF	National Pipe Taper Fuel
P	Wide Plain Washer
PHMS	Pan Head Machine Screw
PLOW	Plow Bolt
RHMS	Round Head Machine Screw
RHSNB	Round Head Square Neck Bolt
SCREW LEVELING	Leveling Screw
SCREW THUMB	Thumb Screw
SCREW WELD	Weld Screw
SFCHMS	Slotted Flat Countersunk Head Machine Screw
SFHMS	Slotted Fillister Head Machine Screw
SP	Special
SP SCREW	Special Screw
SQHSS	Square Head Set Screw
SRHMS	Slotted Round Head Machine Screw
SSS	Socket Set Screw
STCS	Self Tapping Cap Screw
STHMS	Slotted Truss Head Machine Screw
WHEEL	Wheel Studs and Hub Long Bolts
WING	Wing Bolt

Replacement Hardware

The **Hardware Legend** above lists hardware abbreviations used in the parts list. All bolts and nuts are Grade 5 unless otherwise noted. The use of improper grades of hardware can result in personal injury, damage to equipment, or loss of property.

Colored Replacement Parts

Land Pride offers replacement parts in factory standard colors and also on select models in Green, Orange, Red and Blue. Because of the variety of colors available, special attention must be given to the part number to prevent ordering the wrong replacement part.

A suffix number corresponding to one of the colors below must be added at the end of Land Pride's part number when ordering a replacement part with that color.

- | | |
|----------------------------|--------------------------|
| 81 Green | 83 Red |
| 82 Orange | 84 Blue |

For example, if you are ordering a replacement part with part number 555-555C and the part you need is red, then add the suffix 83 to the end of the number to make the part number read 555-555C83. Parts ordered without a suffix number will be supplied in factory standard colors.

Black Replacement Parts

Some parts are factory standard black and some must be special ordered black. If your part is special ordered black, a second part number with the additional suffix number 85 on the end will be available. In this situation you must order that part with the suffix number for it to be black. Parts that are factory standard black will not have the suffix number.

Part Number Service Coding

Within the parts list some part numbers are coded for revisions and interchangeability. See notations in revision column.

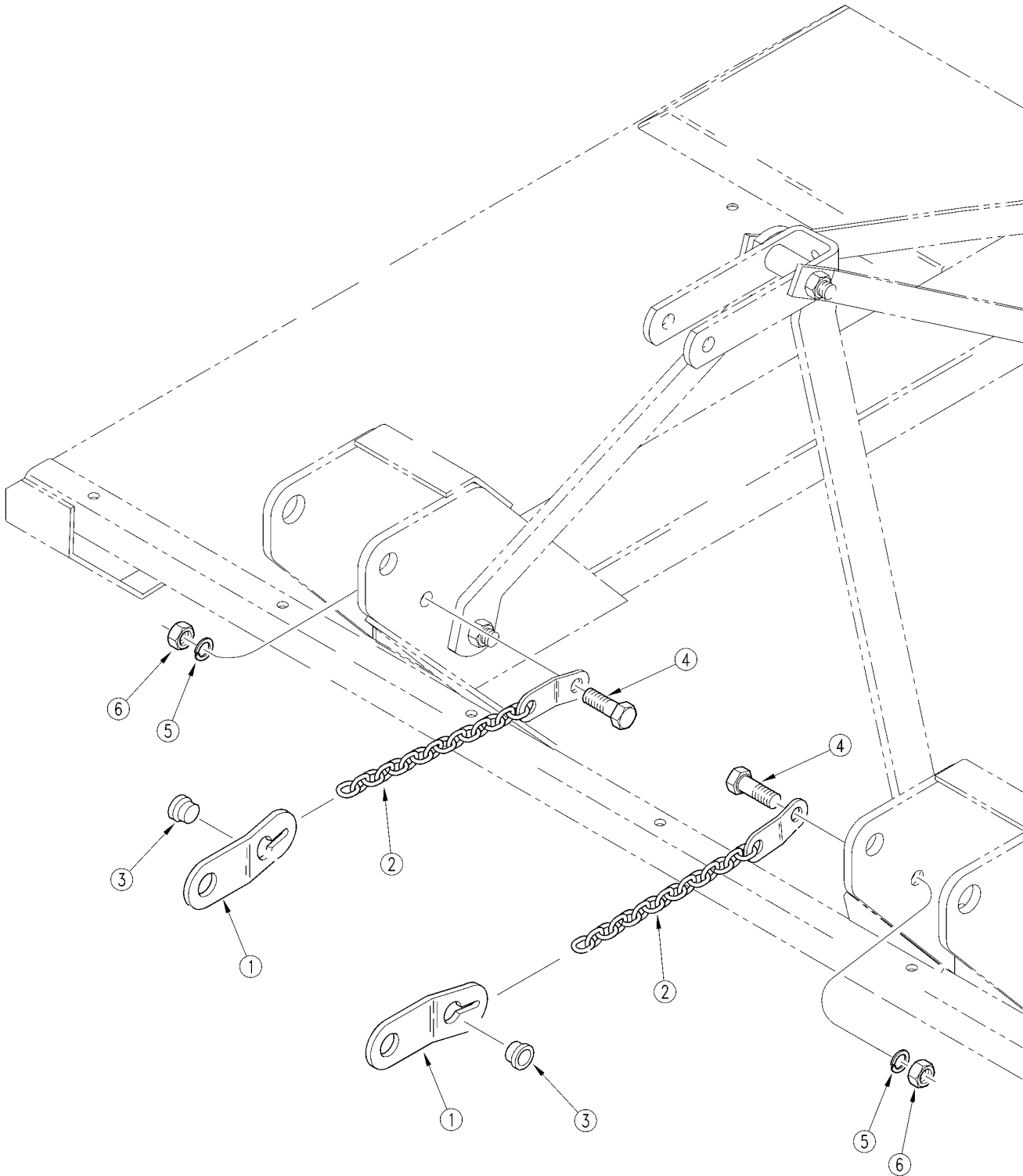
Serial Numbers

Always use the serial and model number when ordering parts. Refer to the Operator's Manual for serial number plate location.

- | | |
|----------------------|--|
| (S/N 20001+) | Includes serial numbers 20001 and above (to the latest number) |
| (S/N 10001 to 20000) | Includes serial numbers between and including 10001 and 20000 |
| (S/N 10000-) | Includes serial numbers 10000 and below (to the earliest number) |

Check Chain Kit

Applies to RCR2560, RCR2572, RCR2584, RCR2684 S/N 1180233-



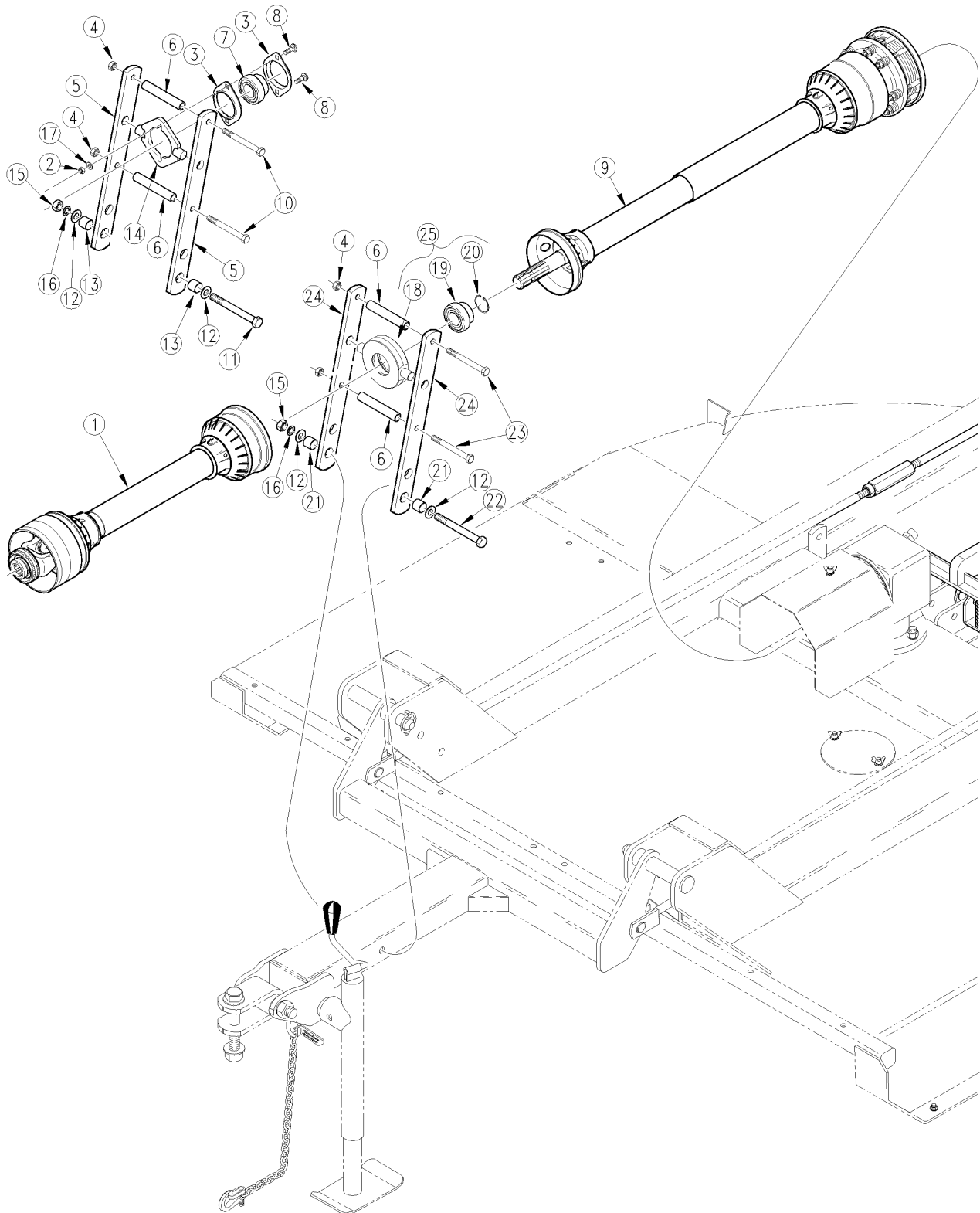
14378

Check Chain Kit**Applies to RCR2560, RCR2572, RCR2584, RCR2684 S/N 1180233-**

Ref	Part No.	Part Description	Comments	Revision
	dwg14378	Drawing Image Number		
1.	312-136D	CHECK CHAIN MT - TRACTOR	For Use With 1/4" Chain	
1.	327-397D	CHECK CHAIN MNT-TRACTOR	For Use With 3/8" Chain	
2.	312-062H	CHECK CHAIN WLDM'T	With 3/8" Chain	
3.	817-057C	PLUG CAP 1 3/8 X 3/4	For Use With 1/4" Chain	
3.	837-027C	CAP PLUG, POLY	For Use With 3/8" Chain	
4.	802-184C	HHCS 3/4-10X1 1/2 GR5		
5.	804-023C	WASHER LOCK SPRING 3/4 PLT		
6.	803-027C	NUT HEX 3/4-10 PLT		

Driveline & Bearing Support

Applies to RCR2584, RCR2684 S/N 1180233-



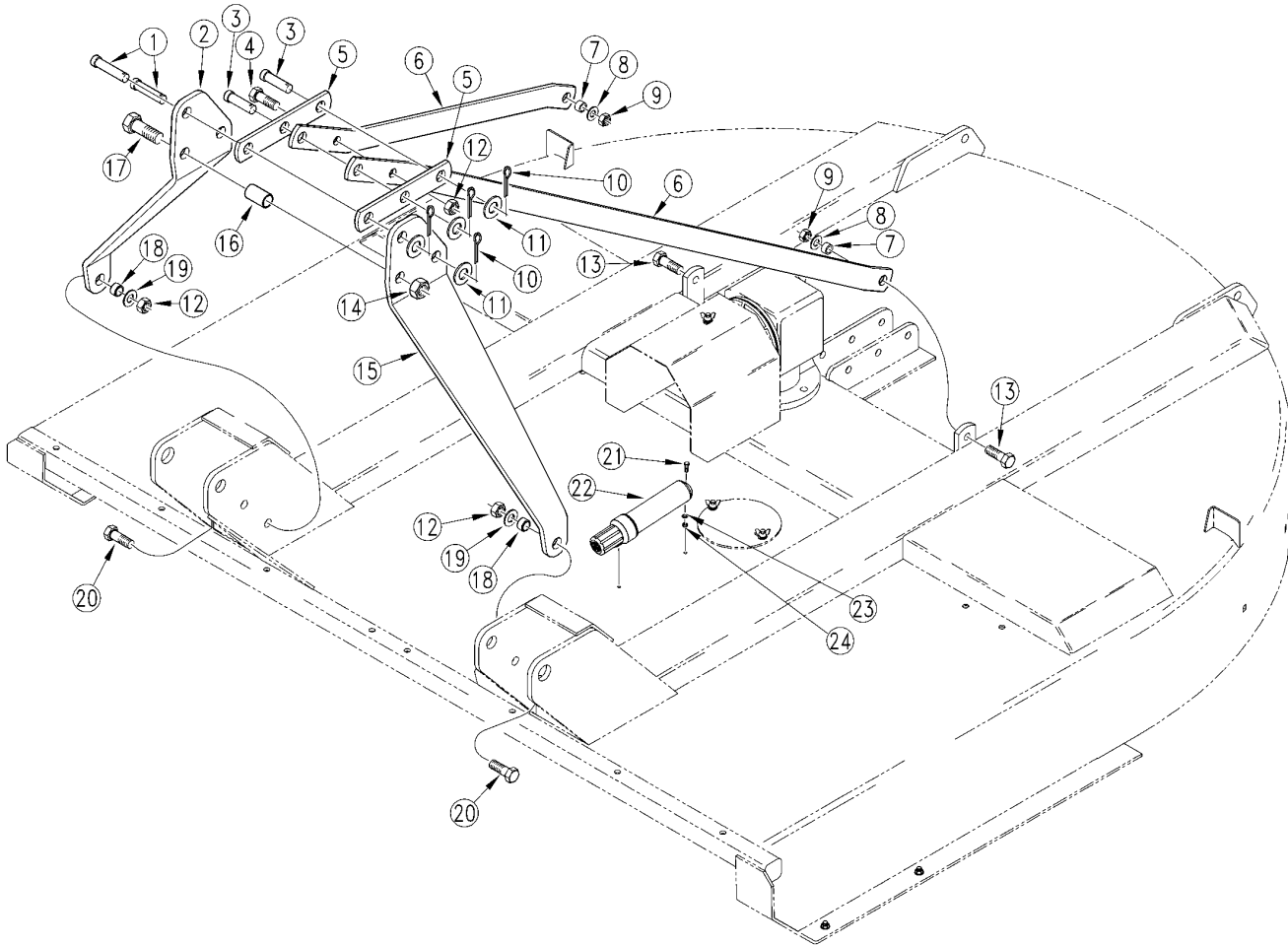
14040

Driveline & Bearing Support**Applies to RCR2584, RCR2684 S/N 1180233-**

Ref	Part No.	Part Description	Comments	Revision
	dwg14040	Drawing Image Number		
1.	826-151C	PTO CAT. 4 X 20.5 FIXED		
2.	803-013C	NUT LOCK 3/8-16 PLT		
3.	822-099C	FLANGETTE 72 MST PLATED		
4.	803-019C	NUT LOCK 1/2-13 PLT		
5.	312-714D	BEARING SUPPORT		
6.	312-715D	PIPE 1/2 SCH. 40 X 4 15/16		
7.	822-098C	BRG 1 3/8 B X 72MM OD W/COLLAR		
8.	802-015C	RHSNB 3/8-16X1 GR5		
9.	826-152C	PTO CAT. 4 X 49.21 JACKSHAFT		
10.	802-260C	HHCS 1/2-13X7 GR5		
11.	802-146C	HHCS 5/8-11X7 1/2 GR5		
12.	804-021C	WASHER FLAT 5/8 SAE PLT		
13.	312-716D	TUBE 1 OD X 9/16 LG. X 5/32WL		
14.	312-422H	RPBY 312-681S		
15.	803-021C	NUT HEX 5/8-11 PLT		
16.	804-022C	WASHER LOCK SPRING 5/8 PLT		
17.	804-012C	WASHER FLAT 3/8 SAE PLT	(S/N 292594-)	
18.	312-999D	BEARING FLANGE	(S/N 292595+)	
19.	822-100C	BRG 1 3/8 B X 72MM OD W/COLLAR	(S/N 292595+)	
20.	800-069C	SNAP RING INT 2.835	(S/N 292595+)	
21.	326-002D	TUBE 1 OD X 11/16 LG. X 5/32w	(S/N 292595+)	
22.	802-146C	HHCS 5/8-11X7 1/2 GR5	(S/N 292595+)	
23.	802-260C	HHCS 1/2-13X7 GR5	(S/N 292595+)	
24.	312-833D	BEARING SUPPORT	(S/N 292595+)	
25.	312-681S	BEARING FLANGE ASSY.	Includes items 18, 19 & 20	

Hitch 3-Point Quick S/N 584254-

Applies to RCR2584, RCR2684 S/N 1180233-



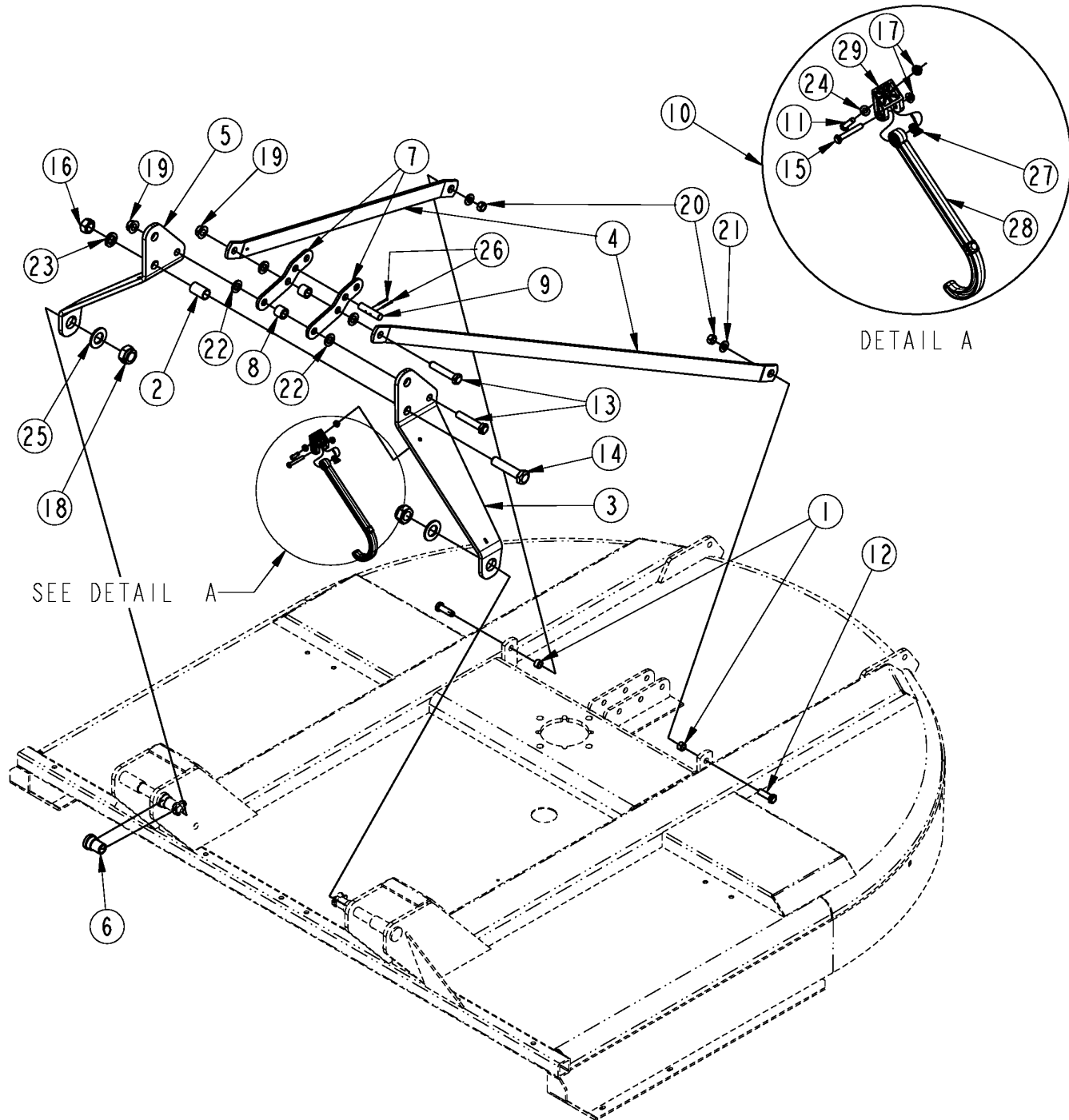
16440

Hitch 3-Point Quick S/N 584254-**Applies to RCR2584, RCR2684 S/N 1180233-**

Ref	Part No.	Part Description	Comments	Revision
	dwg16440	Drawing Image Number		
1.	805-090C	PIN CLEVIS 1 X 3 3/16 LG		
2.	312-813D	A-FRAME HITCH RH.		
3.	805-137C	PIN CLEVIS 1 X 2 PLT		
4.	802-184C	HHCS 3/4-10X1 1/2 GR5		
5.	312-822D	REAR BRACE SHORT		
6.	312-829D	REAR BRACE LONG		
7.	300-312D	CAT 0 SPACER		
8.	804-021C	WASHER FLAT 5/8 SAE PLT		
9.	803-271C	NUT HEX TOP LOCK 5/8-11 PLT		
10.	805-017C	PIN COTTER 3/16 X 1 3/4 PLT		
11.	804-029C	WASHER FLAT 1 SAE		
12.	803-026C	NUT LOCK 3/4-10 PLT		
13.	802-055C	HHCS 5/8-11X2 GR5		
14.	803-168C	NUT HEX TOP LOCK 1-8 PLT		
15.	312-814D	A-FRAME HITCH LH.		
16.	312-821D	BUSHING 1 1/4ODX1 1/32IDX2LG		
17.	802-073C	HHCS 1-8X4 GR5		
18.	890-352C	BUSHING 1 OD X 3/4 ID X 5/8 LG		
19.	804-025C	WASHER FLAT 3/4 SAE PLT		
20.	802-065C	HHCS 3/4-10X2 1/4 GR5		
21.	802-005C	HHCS 1/4-20X1 GR5	(S/N 538584+)	
22.	816-504C	MANUAL STORAGE CONTAINER	(S/N 538584+)	
23.	804-007C	WASHER FLAT 1/4 SAE PLT	(S/N 538584+)	
24.	803-255C	NUT HEX 1-8 LH PLT	(S/N 538584+)	

Hitch 3-Point Quick S/N 584255+

Applies to RCR2684 S/N 1180233-



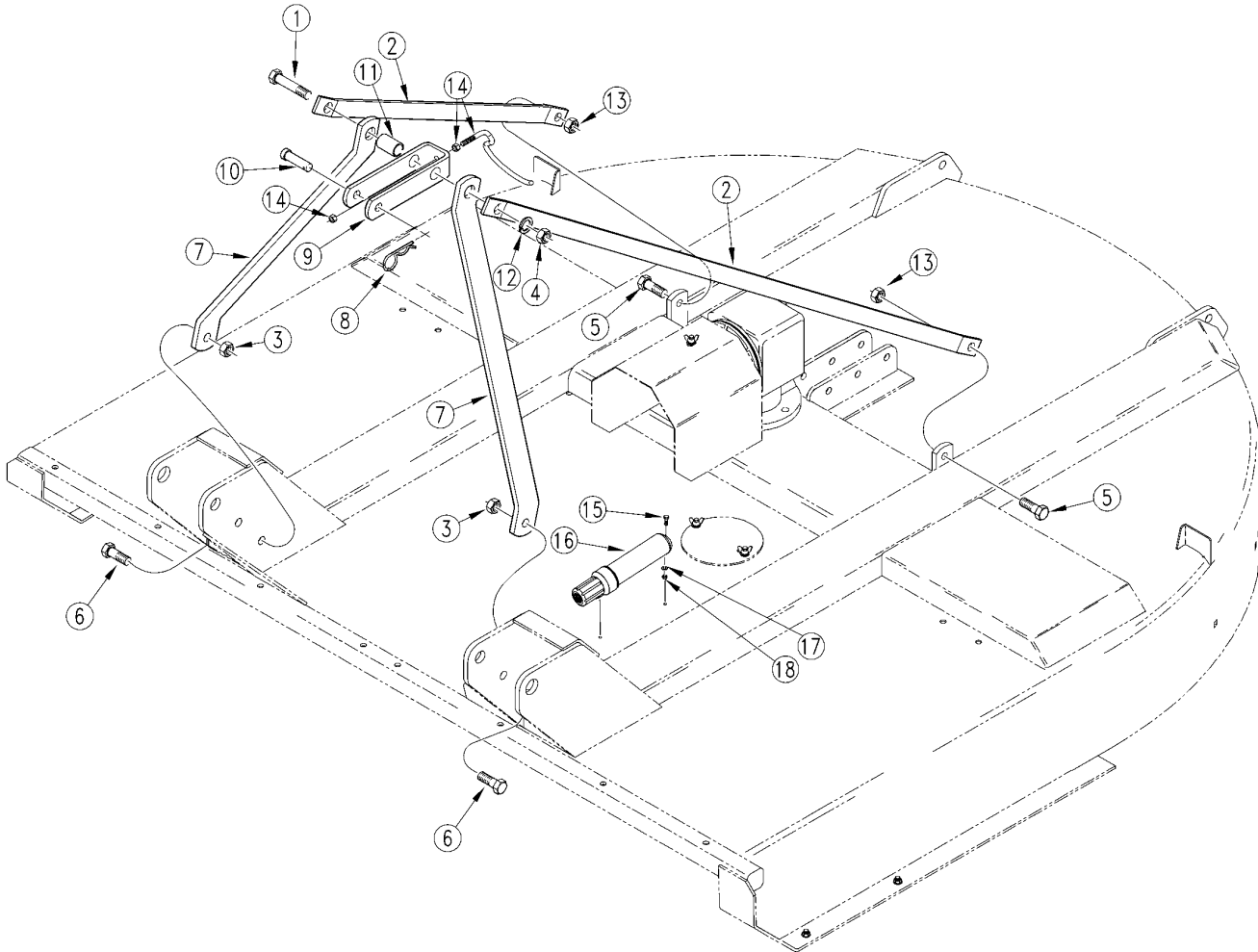
26623

Hitch 3-Point Quick S/N 584255+**Applies to RCR2684 S/N 1180233-**

Ref	Part No.	Part Description	Comments	Revision
	dwg26623	Drawing Image Number		
1.	300-312D	CAT 0 SPACER		
2.	312-821D	BSHG 1 1/4ODX1 1/32IDX2 1/16LG		
3.	326-193D	HITCH STRAP LH		
4.	326-194D	REAR BRACE		
5.	326-196D	HITCH STRAP RH		
6.	326-201D	HITCH MOUNT STUB	Welding Required	
7.	326-206D	REAR BRACE HINGE		
8.	326-207D	SPACER 1 1/4ODX13/16IDX1 1/32		
9.	326-208D	PIN, STOP		
10.	327-143S	DRIVELINE HOLDER W/ HARDWARE	S/N 945241+	
11.	802-010C	HHCS 5/16-18X1 1/4 GR5	S/N 945241+	
12.	802-055C	HHCS 5/8-11X2 GR5		
13.	802-068C	HHCS 3/4-10X4 GR5		
14.	802-098C	HHCS 1-8X4 1/2 GR5		
15.	802-138C	HHCS 5/16-18X2 1/4 GR5	S/N 945241+	
16.	803-031C	NUT HEX 1-8 PLT		
17.	803-177C	NUT HEX LOCK 5/16-18 FLG.	S/N 945241+	
18.	803-180C	NUT HEX 1 1/4-12 PLT TOP LOCK		
19.	803-181C	NUT HEX FLANGE LOCK 3/4-10 PLT		
20.	803-271C	NUT HEX TOP LOCK 5/8-11 PLT		
21.	804-021C	WASHER FLAT 5/8 SAE PLT		
22.	804-025C	WASHER FLAT 3/4 SAE PLT		
23.	804-027C	WASHER LOCK SPRING 1 PLT		
24.	804-036C	WASHER FLAT 5/16 SAE PLT	S/N 945241+	
25.	804-039C	WASHER FLAT 1 1/4 SAE PLT		
26.	805-109C	PIN COTTER 1/8 X 1 1/4 PLT		
27.	807-350C	SPRING TORSION DRIVELINE HLDER	S/N 945241+	
28.	837-062C	DRIVELINE HOOK	S/N 945241+	
29.	837-063C	MOUNT DRIVELINE HOOK	S/N 945241+	

Hitch A-Frame S/N 584254-

Applies to RCR2584, RCR2684 S/N 1180233-



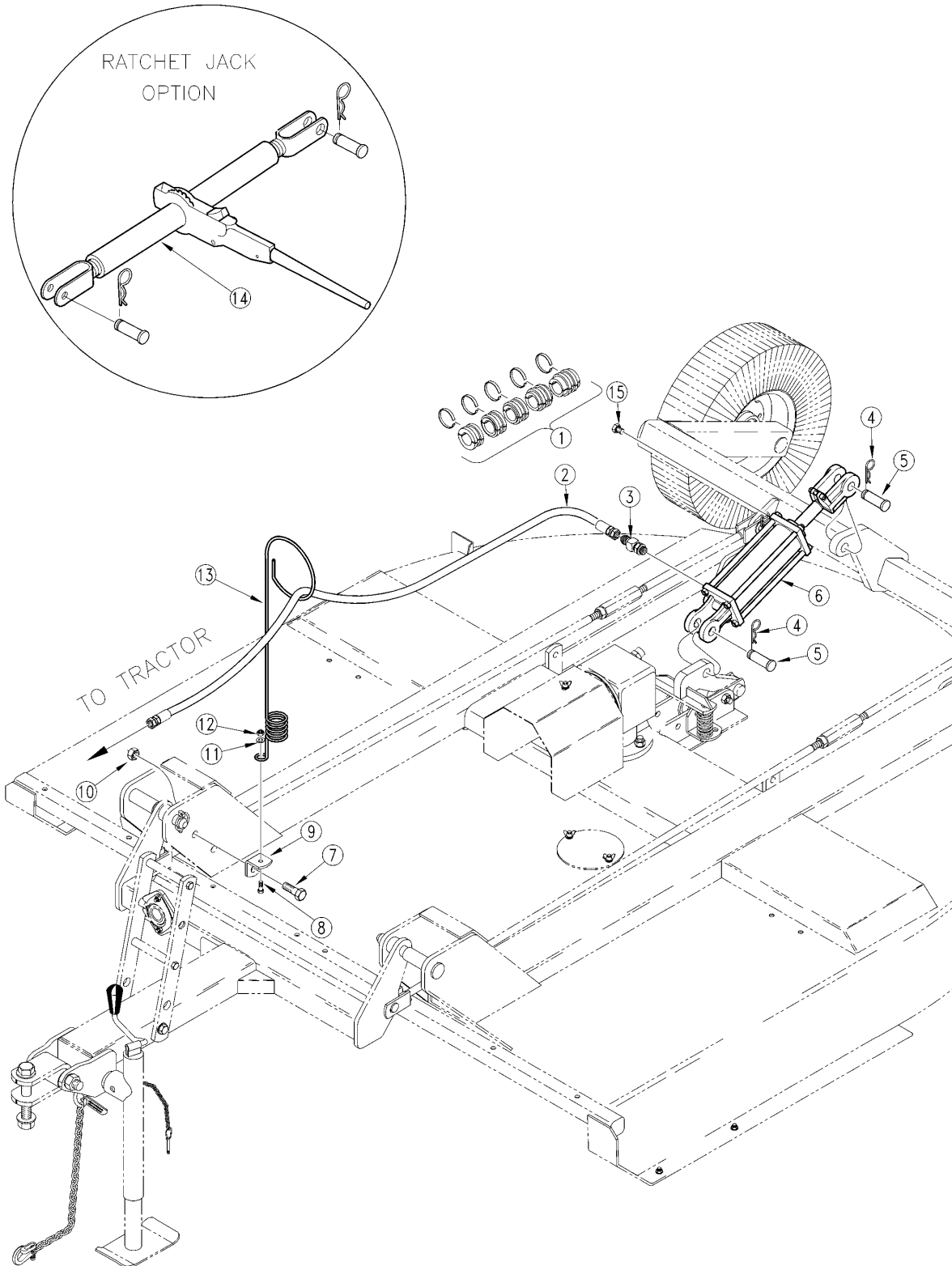
14031

Hitch A-Frame S/N 584254-**Applies to RCR2584, RCR2684 S/N 1180233-**

Ref	Part No.	Part Description	Comments	Revision
	dwg14031	Drawing Image Number		
1.	802-074C	HHCS 1-8X6 1/2 GR5		
2.	312-685D	REAR BRACE		
3.	803-026C	NUT LOCK 3/4-10 PLT		
4.	803-031C	NUT HEX 1-8 PLT		
5.	802-051C	HHCS 5/8-11X1 1/2 GR5		
6.	802-064C	HHCS 3/4-10X2 GR5		
7.	312-684D	A-FRAME FLAT		
8.	805-088C	PIN, HAIR COTTER 3/16 WIRE DIA		
9.	312-699D	PIVOTING UPPER HITCH		
10.	805-090C	PIN CLEVIS 1 X 3 3/16 LG		
11.	312-694D	TUBE 1 5/16 OD X 3 1/8 LG.		
12.	804-027C	WASHER LOCK SPRING 1 PLT		
13.	803-024C	NUT LOCK 5/8-11 PLT		
14.	800-320C	DRIVELINE HOOK HANGER W/HRDWR	(S/N 317416+)	
15.	802-005C	HHCS 1/4-20X1 GR5	(S/N 538584+)	
16.	816-504C	MANUAL STORAGE CONTAINER	(S/N 538584+)	
17.	804-007C	WASHER FLAT 1/4 SAE PLT	(S/N 538584+)	
18.	803-255C	NUT HEX NYLOCK 1/4-20	(S/N 538584+)	

Hydraulic Lift

Applies to RCR2584



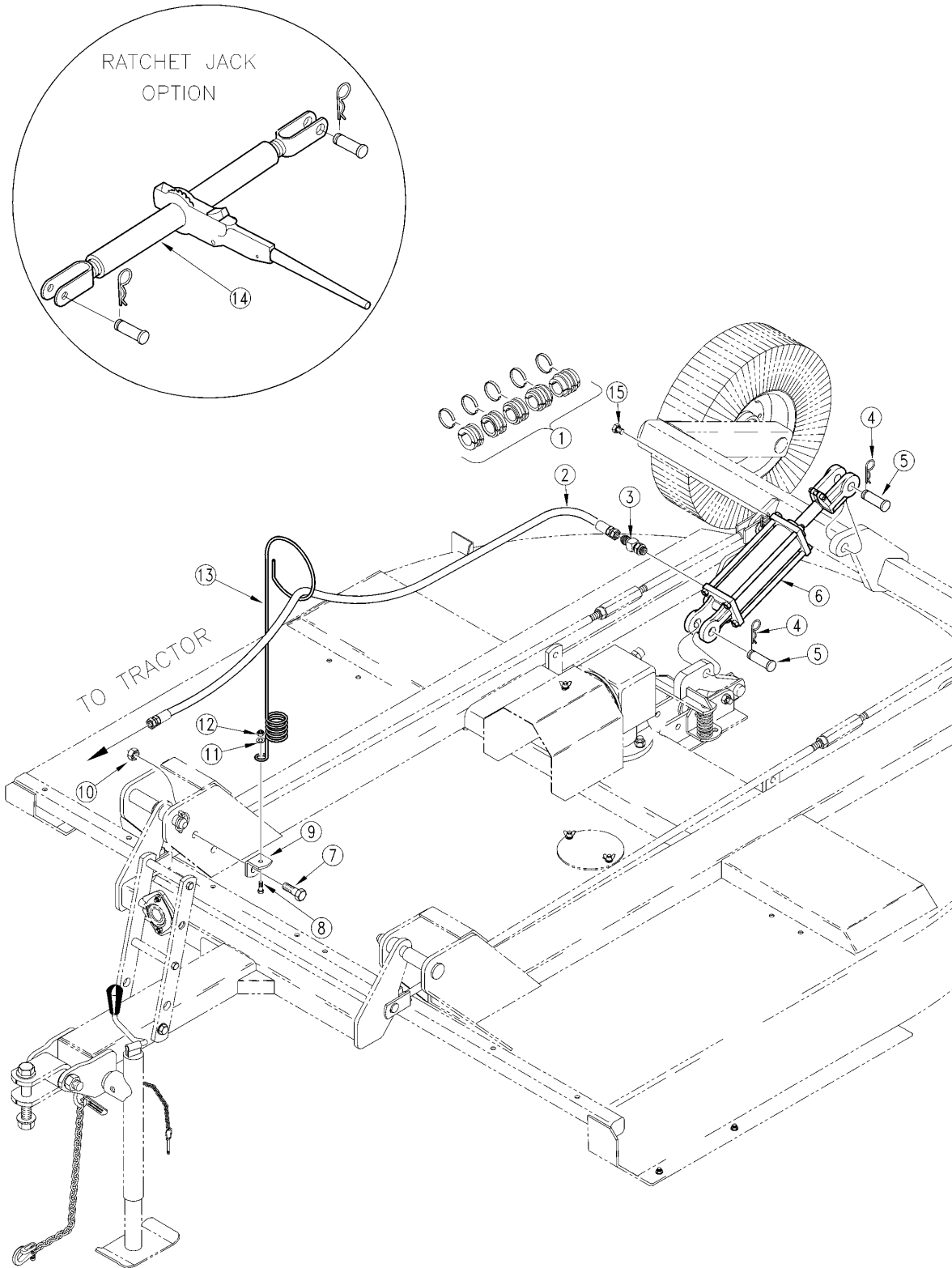
14037

Hydraulic Lift**Applies to RCR2584**

Ref	Part No.	Part Description	Comments	Revision
	dwg14037	Drawing Image Number		
1.	810-818C	STRK CNTRL SPCRS 1.125 TO 1.50		
2.	811-542C	HH3/8R1 178 3/4FJIC 9/16FJIC		
3.	811-170C	AD 9/16MORB 9/16MJIC		
4.	805-088C	PIN, HAIR COTTER 3/16 WIRE DIA		
5.	805-004C	PIN CLEVIS 1 X 2 3/4 USABLE LG		
6.	810-200C	CYL 2.5X8X1.12 ROD (TIE)1 PIN		
7.	802-184C	HHCS 3/4-10X1 1/2 GR5		
8.	802-017C	HHCS 3/8-16X1 GR5		
9.	312-729D	HOSE HOLDER BRACKET		
10.	803-026C	NUT LOCK 3/4-10 PLT		
11.	804-012C	WASHER FLAT 3/8 SAE PLT		
12.	803-013C	NUT LOCK 3/8-16 PLT		
13.	807-023C	SPRING HOSE LOOP		
14.	890-177C	RATCHET JACK - HEAVY DUT		
15.	800-117C	VENT PLUG - 9/16-18 PLATED		

Hydraulic Lift S/N

Applies to RCR2684 S/N 1180233-



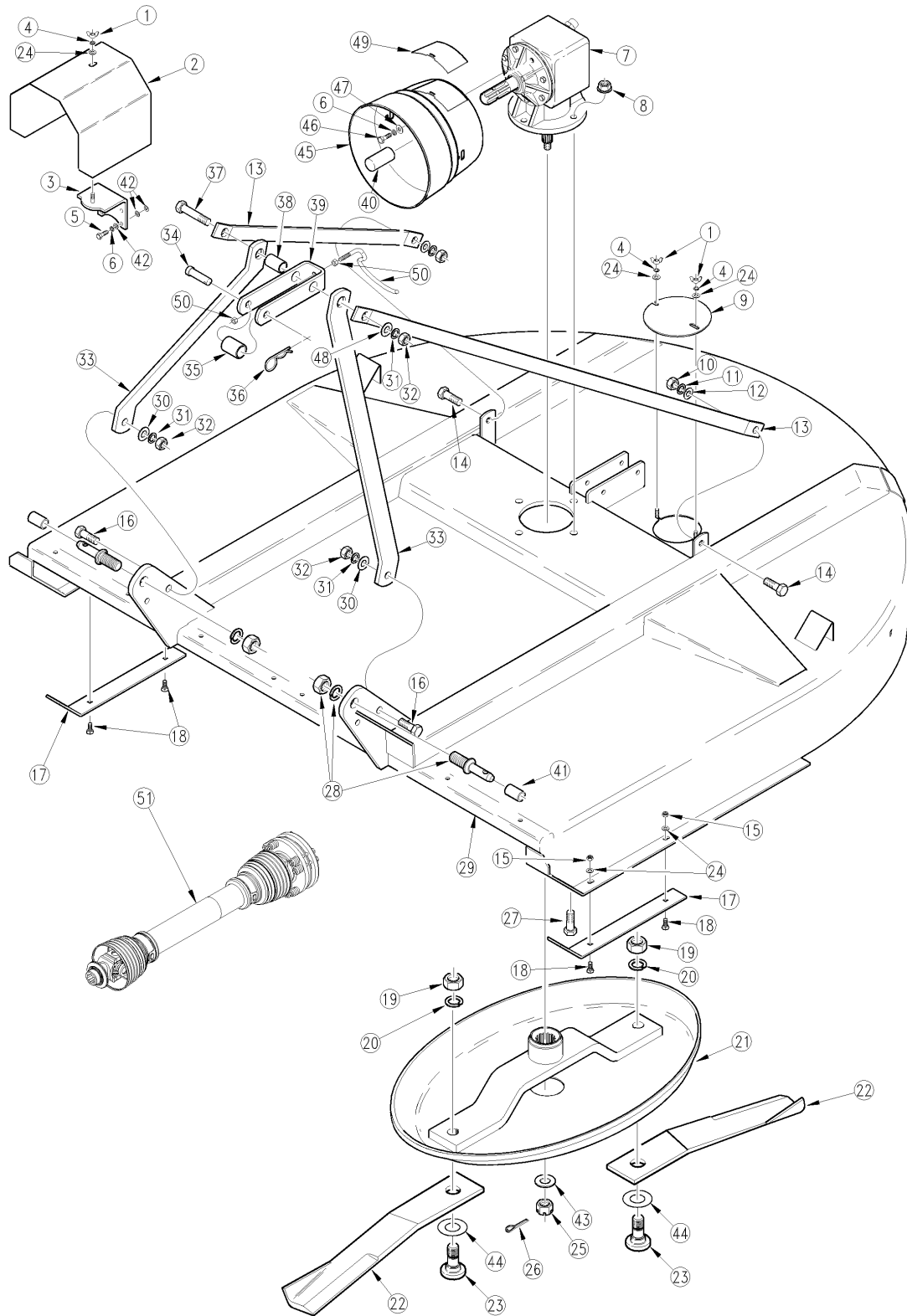
14037

Hydraulic Lift S/N**Applies to RCR2684 S/N 1180233-**

Ref	Part No.	Part Description	Comments	Revision
	dwg14037	Drawing Image Number		
1.	810-818C	STRK CNTRL SPCRS 1.125 TO 1.50		
2.	811-542C	HH3/8R1 178 3/4FJIC 9/16FJIC		
3.	811-170C	AD 9/16MORB 9/16MJIC		
4.	805-088C	PIN, HAIR COTTER 3/16 WIRE DIA		
5.	805-004C	PIN CLEVIS 1 X 2 3/4 USABLE LG		
6.	810-200C	CYL 2.5X8X1.12 ROD (TIE)1 PIN		
7.	802-184C	HHCS 3/4-10X1 1/2 GR5		
8.	802-017C	HHCS 3/8-16X1 GR5		
9.	312-729D	HOSE HOLDER BRACKET		
10.	803-026C	NUT LOCK 3/4-10 PLT		
11.	804-012C	WASHER FLAT 3/8 SAE PLT		
12.	803-013C	NUT LOCK 3/8-16 PLT		
13.	807-023C	SPRING HOSE LOOP		
14.	890-177C	RATCHET JACK - HEAVY DUT		
15.	800-117C	VENT PLUG - 9/16-18 PLATED		

RCR2560 & RCR2572 Deck

Applies to RCR2560, RCR2572



15872

RCR2560 & RCR2572 Deck**Applies to RCR2560, RCR2572**

Ref	Part No.	Part Description	Comments	Revision
	Dwg 15872	Drawing Image Number		
1.	803-231C	NUT WING 3/8-16 PLT	(S/N 232953-)	
2.	312-399H	SHIELD WELDMENT	(S/N 232953-)	
3.	312-400H	SHIELD MOUNT BRACKET WELDMENT	(S/N 232953-)	
4.	804-013C	WASHER LOCK SPRING 3/8 PLT	(S/N 232953-)	
5.	802-159C	HHCS 5/16-18X1 GR5	(S/N 232953-)	
6.	804-009C	WASHER LOCK SPRING 5/16 PLT		
7.	826-035C	GEARBOX RC61SS 1:1.46 INCREASE		
8.	803-299C	NUT HEX FLG TOP LK 3/4-10 PLT		
9.	312-611D	BLADE BOLT ACCESS COVER	RCR2572	
9.	312-647D	BLADE BOLT ACCESS COVER	RCR2560	
10.	803-024C	NUT LOCK 5/8-11 PLT		Rev 2; Use up stock
10.	803-021C	NUT HEX 5/8-11 PLT		Rev 1; Use up stock
11.	804-022C	WASHER LOCK SPRING 5/8 PLT	Replaced by 803-024C	Rev 1; Use up stock
12.	804-021C	WASHER FLAT 5/8 SAE PLT	Replaced by 803-024C	Rev 1; Use up stock
13.	312-608D	HITCH STRAP	RCR2572	
13.	312-646D	HITCH STRAP	RCR2560	
14.	802-051C	HHCS 5/8-11X1 1/2 GR5		Rev. 2
14.	802-053C	HHCS 5/8-11X1 3/4 GR5		Rev 1; Use up stock
15.	803-013C	NUT LOCK 3/8-16 PLT		
16.	802-064C	HHCS 3/4-10X2 GR5	(S/N 286260+)	
16.	802-212C	HHCS 3/4-10X2 1/2 GR5	(S/N 286259-)	Rev 2; Use up stock
16.	802-065C	HHCS 3/4-10X2 1/4 GR5		Rev 1; Use up stock
17.	312-602D	SKID SHOE		
18.	802-466C	PLOW 3/8-16X1 1/4 GR5		
19.	803-170C	NUT HEX TOP LOCK 1 1/8-12 PLT.		
20.	804-147C	WASHER FLAT 1" HARDENED		
21.	312-388H	27 OVAL DISHPAN WELDMNT(OMNI)	RCR2572	
21.	312-404H	15 ROUND DISHPAN WELDMNT(OMNI)	RCR2560	
22.	820-137C	CUTTER BLADE 1/2 X 4 X 25 CCW	Standard (Quantity 2 per cutter)	
22.	820-193C	CUTTER BLADE 1/2X4X25 LL CCW	Optional Low Lift Blade (Quantity 2 per cutter)	
23.	802-277C	BLADE BOL 1 1/8-12X3 7/16 W/KY		
24.	804-012C	WASHER FLAT 3/8 SAE PLT		
25.	803-095C	NUT HEX SLOTTED 1-14		
26.	805-017C	PIN COTTER 3/16 X 1 3/4 PLT		
27.	802-064C	HHCS 3/4-10X2 GR5		
28.	805-163C	PIN HITCH CAT. 2-1 FORGED		
29.	312-386H	RCR2572 DECK WELDMENT	Shown	
29.	312-402H	RCR2560 DECK WELDMENT		
30.	804-025C	WASHER FLAT 3/4 SAE PLT	RPBY 803-026C	
31.	804-023C	WASHER LOCK SPRING 3/4 PLT	RPBY 803-026C (S/N 286259-)	
32.	803-026C	NUT LOCK 3/4-10 PL	(S/N 286260+)	Rev. 2
32.	803-027C	NUT HEX 3/4-10 PLT	(S/N 286259-)	Rev 1; Use up stock
33.	312-607D	HITCH BRACE		
34.	805-142C	PIN CLEVIS 3/4 X 3 1/2 PLT		
35.	122-076D	PW PIVOT TUBE LONG		
36.	805-143C	PIN HAIR COTTER .120 PLT		
37.	802-070C	HHCS 3/4-10X6 GR5		
38.	312-610D	SPACER TUBE 1 1/8 OD X 3 1/8		
39.	312-609D85	PIVOTING UPPER HITCH-BLACK		
40.	817-050C	GEARBOX SHAFT PROTECTOR	(S/N 220346-)	
41.	827-010C	BUSHING 7/8ID X1 1/8OD,1 3/4LG		
42.	804-036C	WASHER FLAT 5/16 SAE PLT	(S/N 232954-)	
43.	804-070C	FLAT WASHER 1 SPECIAL		
44.	312-075D	BLADE SPACER 16 GA .06 THICK	As Required	
44.	312-082D	BLADE SPACER 18 GA .05 THICK	As Required	
44.	312-089D	BLADE SPACER 20 GA .04 THICK	As Required	

RCR2560 & RCR2572 Deck (continued)

Applies to RCR2560, RCR2572

Ref	Part No.	Part Description	Comments	Revision
44.	312-808D	BLADE SPACER 24 GA .03 THICK	As Required	
45.	837-101C	LAND PRIDE CONE		
45.	826-222C	LARGE SHAFT CONE W ACCESS DOOR	(S/N 232954+) Replaced with 837-101C	
46.	802-007C	HHCS 5/16-18X3/4 GR5	(S/N 232954+)	
47.	804-010C	WASHER FLAT 5/16 USS PLT	(S/N 232954+)	
48.	804-025C	WASHER FLAT 3/4 SAE PLT		
49.	38-11	MCCN ACCESS COVER	Only for Meccanoplast brand covers on older models	
50.	800-320C	DRIVELINE HOOK HANGER W/HRDWR	(S/N 317416+)	
51.	826-146C	PTO CAT. 4 X 39.7 SLIP CLUTCH	RCR2572	
51.	826-147C	AX6 DRIVELINE WITH SLIP CLUTCH	RCR2560	

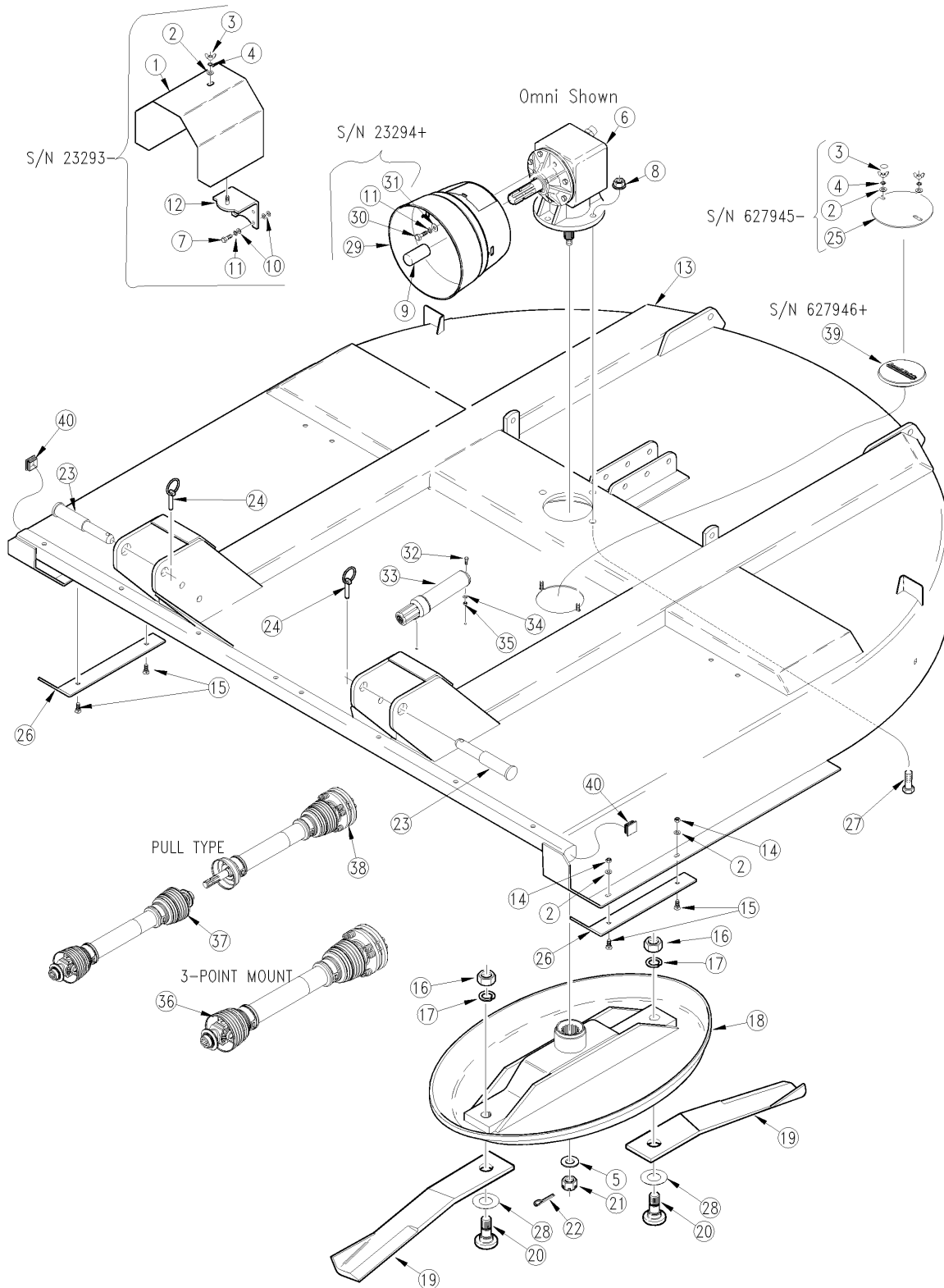
RCR2560 & RCR2572 Deck (continued)

Applies to RCR2560, RCR2572

This Page Intentionally Left Blank

RCR2584 & RCR2684 Deck

Applies to RCR2584, RCR2684 S/N 1180233-



15881

RCR2584 & RCR2684 Deck**Applies to RCR2584, RCR2684 S/N 1180233-**

Ref	Part No.	Part Description	Comments	Revision
	Dwg 15881	Drawing Image Number		
1.	312-399H	SHIELD WELDMENT	(S/N 232953-)	
2.	804-012C	WASHER FLAT 3/8 SAE PLT		
3.	803-231C	NUT WING 3/8-16 PLT		
4.	804-013C	WASHER LOCK SPRING 3/8 PLT		
5.	804-070C	FLAT WASHER 1 SPECIAL	Used on Omni Gearbox only	
5.	0.139.7101.00	CO BLANK WASHER	Used on Comer Gearbox only	
6.	826-377C	GBOX RC25 1.38-6 1:1.21 STD.	Comer Box (SN 381566+)	Rev. 1
6.	826-038C	GEARBOX RC61SS 1:1.21 INCREASE	Omni Box (SN 381565-)	Rev. 2
7.	802-159C	HHCS 5/16-18X1 GR5		
8.	803-299C	NUT HEX FLG TOP LK 3/4-10 PLT		
9.	817-050C	GEARBOX SHAFT PROTECTOR	(S/N 220346-)	
10.	804-036C	WASHER FLAT 5/16 SAE PLT		
11.	804-009C	WASHER LOCK SPRING 5/16 PLT		
12.	312-400H	SHIELD MOUNT BRACKET WELDMENT	(S/N 232953-)	
13.	326-114H	RCR2684 DECK	(S/N 584255+)	
13.	326-114H81	RCR2684 DECK GREEN	GREEN UNIT	
13.	326-114H82	RCR2684 DECK ORANGE	ORANGE UNIT	
13.	326-114H86	RCR2684 DECK YELLOW	YELLOW UNIT	
13.	312-419H	RCR2584 DECK WELDMENT	(S/N 584254-)	
13.	312-419H82	RCR25/2684 DECK WMT ORANGE	ORANGE UNIT	
14.	803-013C	NUT LOCK 3/8-16 PLT		
15.	802-603C	PLOW 3/8-16X1 GR5		
16.	803-170C	NUT HEX TOP LOCK 1 1/8-12 PLT.		
17.	804-147C	WASHER FLAT 1" HARDENED		
18.	312-818H	27 DISHPAN WLDMT LG.HUB	Used with Omni or Comer Box	
19.	820-138C	CUTTER BLADE 1/2 X 4 X 31 CCW	Standard (Quantity 2 per cutter)	
19.	820-194C	CUTTER BLADE 1/2X4X31 LL CCW	Optional Low Lift Blade (Quantity 2 per cutter)	
20.	802-277C	BLADE BOL 1 1/8-12X3 7/16 W/KY		
21.	803-095C	NUT HEX SLOTTED 1-14	Used on Omni Gearbox only	
21.	8.2.2.00555	CO NUT, CASTLE M30 X 2	Used on Comer Gearbox only	
22.	805-017C	PIN COTTER 3/16 X 1 3/4 PLT		
23.	326-204D	PIN HITCH CAT. I, II, & III	(S/N 584255+)	
23.	300-236D	HITCH PIN	(S/N 584254-)	
24.	805-103C	PIN LYNCH 7/16 X 1 3/4		
25.	312-812D	ACCESS COVER PLATE	S/N 627945-	
25.	312-611D	RPBY 312-812D		
26.	312-602D	SKID SHOE		
27.	802-065C	HHCS 3/4-10X2 1/4 GR5	(S/N 558465+)	
27.	802-064C	HHCS 3/4-10X2 GR5	(S/N 558464-)	
28.	312-075D	BLADE SPACER 16 GA .06 THICK	As Required S/N 776426-	
28.	312-082D	BLADE SPACER 18 GA .05 THICK	As Required S/N 776426-	
28.	312-089D	BLADE SPACER 20 GA .04 THICK	As Required S/N 776426-	
28.	312-808D	BLADE SPACER 24 GA .03 THICK	As Required S/N 776426-	
29.	837-101C	LAND PRIDE CONE		
29.	826-648C	LARGE SHAFT CONE W ACCESS DOOR	(S/N 640069+) replaced with 837-101C	
29.	826-222C	RPBY 826-648C	(S/N 640068-)	
30.	802-007C	HHCS 5/16-18X3/4 GR5		
31.	804-010C	WASHER FLAT 5/16 USS PLT		
32.	802-224C	HHCS 1/4-20X1 1/4 GR5	Used on RCR2684 S/N 538584+	
33.	816-504C	MANUAL STORAGE CONTAINER	Used on RCR2684 S/N 538584+	
34.	804-007C	WASHER FLAT 1/4 SAE PLT	Used on RCR2684 S/N 538584+	
35.	803-255C	NUT HEX NYLOCK 1/4-20	Used on RCR2684 S/N 538584+	
36.	826-673C	DRVLN C4 44 1.38-6 QD CLTCH	3-Point Mount S/N 1151155+	
36.	826-150C	RPBY 826-673C	3-Point Mount S/N 1151154- (Obsolete)	

RCR2584 & RCR2684 Deck (continued)

Applies to RCR2584, RCR2684 S/N 1180233-

Ref	Part No.	Part Description	Comments	Revision
37.	826-151C	PTO CAT. 4 X 20.5 FIXED 540	Pull Type	
38.	826-152C	PTO CAT. 4 X 49.21 JACKSHAFT	Pull Type	
39.	840-273C	PLUG LP 3" ID RUBBER	S/N 627946+	
40.	837-086C	CAP SQ TUBE 2X2X.238-.165	S/N 945241+	

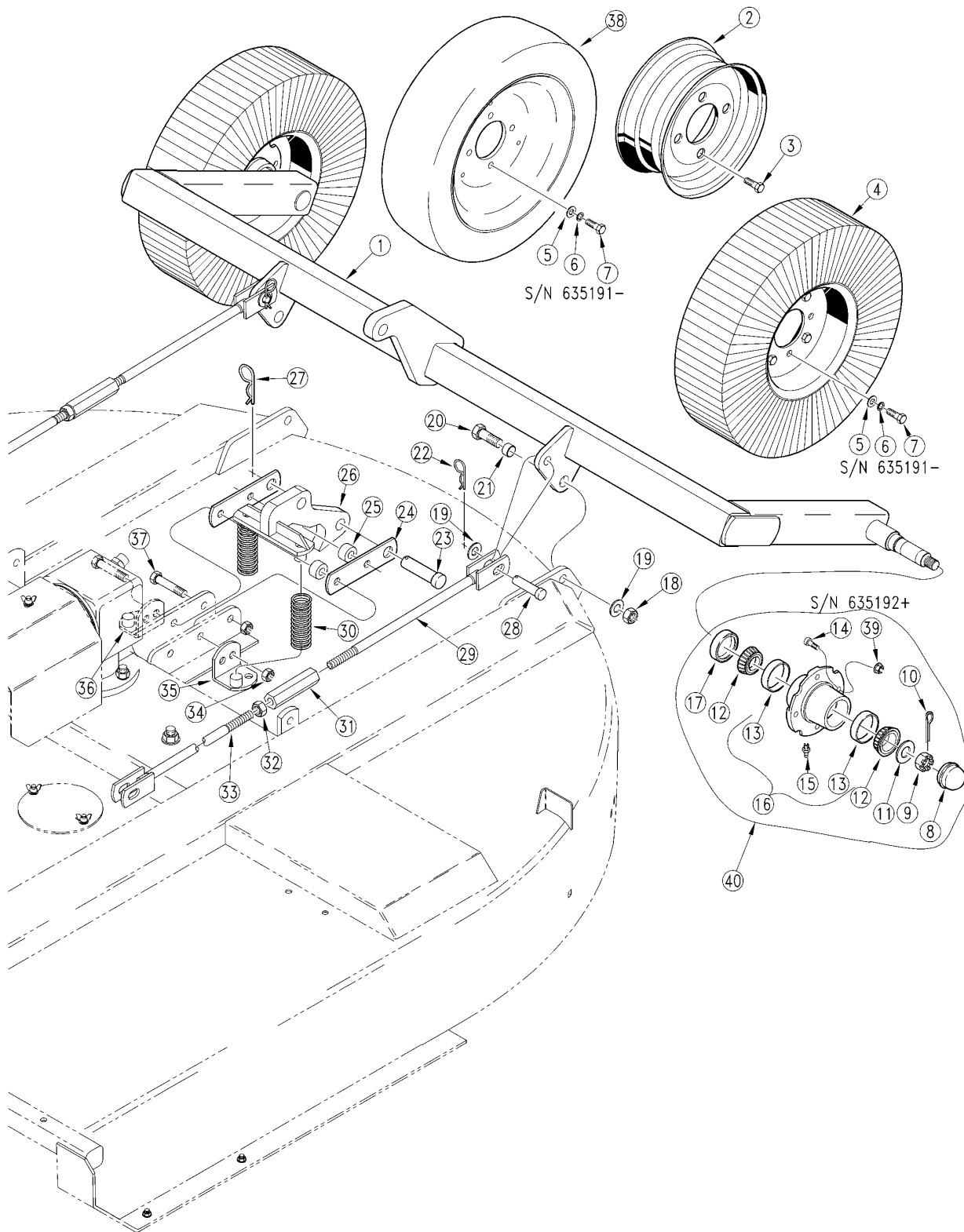
RCR2584 & RCR2684 Deck (continued)

Applies to RCR2584, RCR2684 S/N 1180233-

This Page Intentionally Left Blank

Rear Axle

Applies to RCR2584, RCR2684 S/N 1180233-



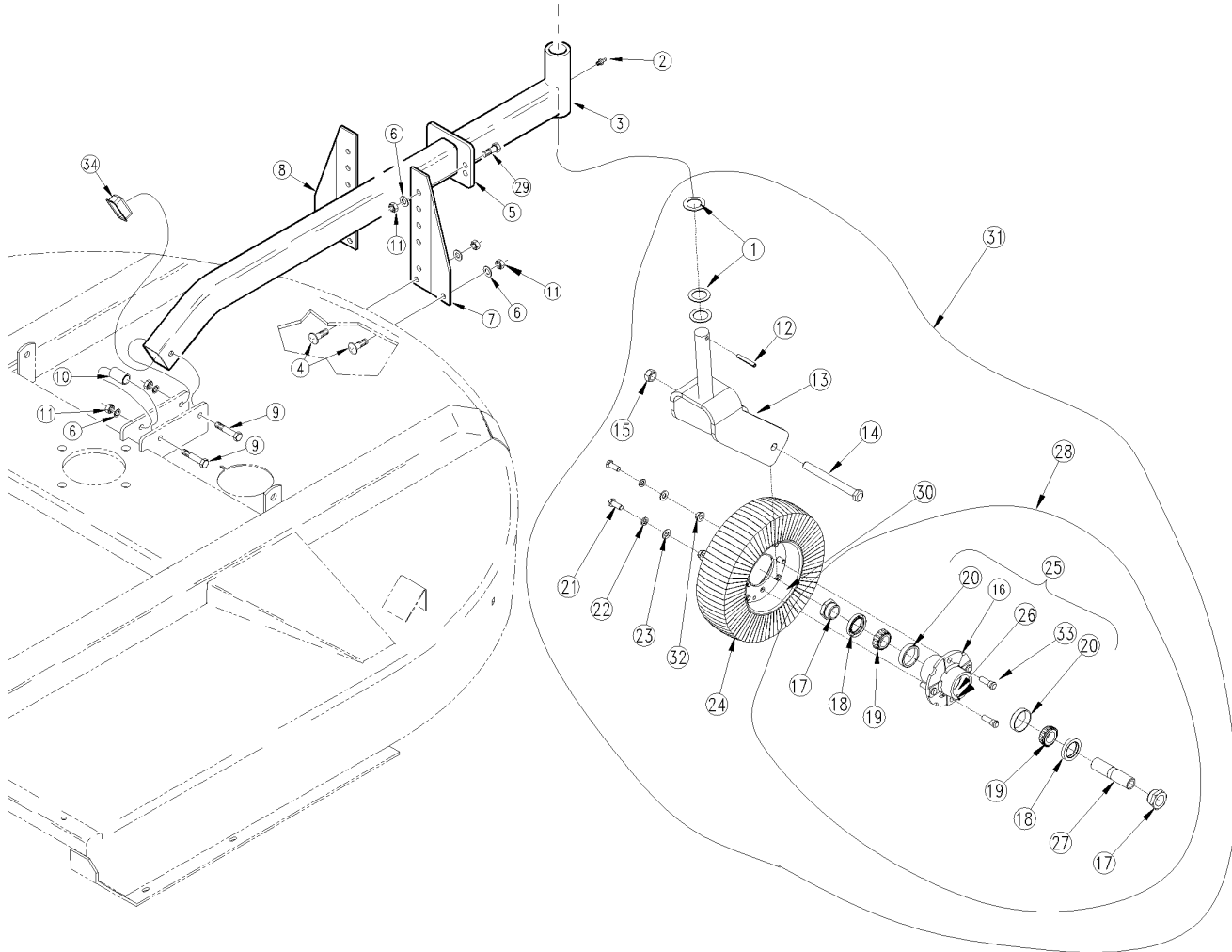
14034

Rear Axle**Applies to RCR2584, RCR2684 S/N 1180233-**

Ref	Part No.	Part Description	Comments	Revision
	dwg14034	Drawing Image Number		
1.	312-427H	RCR2584 AXLE WELDMENT		
2.	814-066C	WHEEL 15 X 5 X 4 BOLT		
3.	802-104C	BOLT WHEEL 1/2-20X1 90-DEG		
4.	814-059C	TIRE & WHEEL LAMINATED 6.0 X 9		
5.	804-016C	WASHER FLAT 1/2 SAE PLT		
6.	804-015C	WASHER LOCK SPRING 1/2 PLT		
7.	802-326C	HHCS 1/2-20X1 1/4 GR5	(S/N 336501+)	Rev. 2
7.	802-240C	HHCS 1/2-20X1 GR5	(S/N 336500-)	Rev 1; Use up stock
8.	200-001D	HUB GREASE CAP		
9.	803-029C	NUT HEX SLOTTED 7/8-14 PLT		
10.	805-016C	PIN COTTER 3/16 X 1 1/4 PLT		
11.	804-055C	WASHER SPINDLE - 7/8		
12.	822-091C	BEARING CONE 15123		
13.	822-092C	BEARING CUP 15245		
14.	802-135C	HUB STUD 1/2-20X1 5/8 GR5		Rev 1; Use up stock
15.	800-001C	GREASE ZERK STRAIGHT 1/4-28		
16.	815-230C	HUB 4 BLT W/CUPS, ZERK & STUDS	S/N 635192+	
16.	815-093C	RPBY 815-230C	S/N 635191-	Rev. 2
16.	312-151S	4 BLT WHL HUB W/CUPS&ZERK ASSY		Rev 1; Use up stock
17.	816-098C	SEAL 1 3/8 ID X 2.441 OD X.313		
18.	803-026C	NUT LOCK 3/4-10 PLT		
19.	804-025C	WASHER FLAT 3/4 SAE PLT		
20.	802-065C	HHCS 3/4-10X2 1/4 GR5		
21.	312-712D	TUBE 1 OD X 12 GA X 15/16 LG.		
22.	805-045C	PIN COTTER 5/32 X 1 1/4 LG		
23.	805-187C	PIN CLEVIS 1 X 2 1/4 GR5 PLT		
24.	312-720D	FLAT SPRING SUPPORT		
25.	312-735D	TUBE 1.25 OD X .28WL X1.09 LG.		
26.	312-424H	LUG SPRING CUSHION WELDMENT		
27.	805-088C	PIN, HAIR COTTER 3/16 WIRE DIA		
28.	805-083C	PIN CLEVIS 3/4 X 1 1/2		
29.	312-428H	LEVEL ROD SHORT WELDMENT		
30.	807-143C	SPRING COMP 1.88OD x .362W		
31.	803-237C	NUT HEX COUPLER 3/4-10 X 5 PLT		
32.	803-048C	NUT HEX JAM 3/4-10 PLT		
33.	312-429H	LEVEL ROD LONG WELDMENT		
34.	803-024C	NUT LOCK 5/8-11 PLT		
35.	312-426H	SPRING MOUNT BOTTOM LH. WLDMT.		
36.	312-425H	SPRING MOUNT BOTTOM RH. WLDMT.		
37.	802-162C	HHCS 5/8-11X3 1/2 GR5		
38.	814-086C	TIRE 25.5 X 8.0-14 - MOUNTED		
39.	803-308C	NUT HEX FLG/LK 1/2-20 PLT.GR.G		
40.	815-236C	HUB 4 BOLT COMPLETE		

Tailwheel

Applies to RCR2560, RCR2572



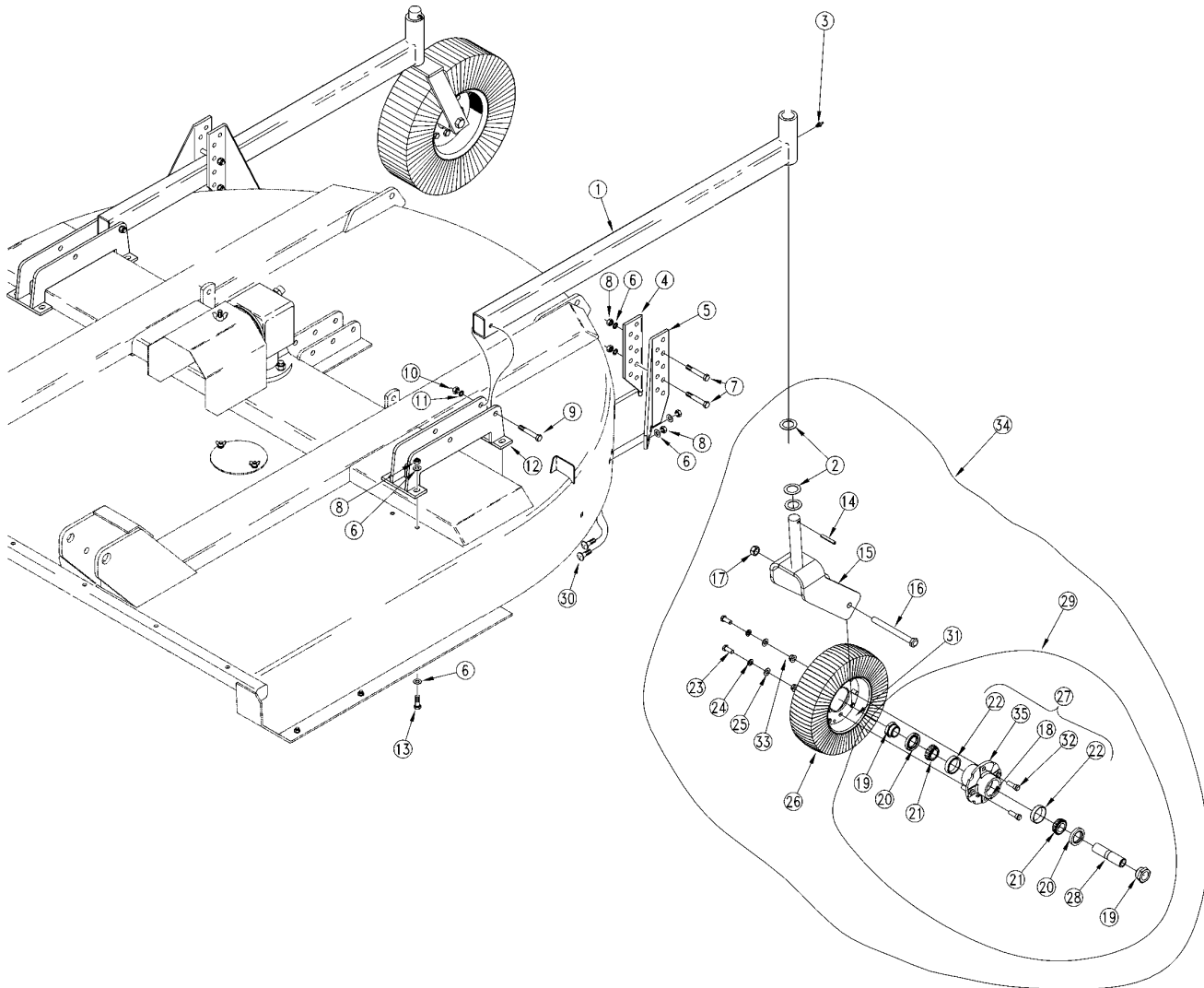
13450

Tailwheel**Applies to RCR2560, RCR2572**

Ref	Part No.	Part Description	Comments	Revision
	dwg13450	Drawing Image Number		
1.	804-066C	WASHER MACH 2.25 X 1.50 X 14GA		Rev. 2
2.	800-080C	GREASE ZERK 1/4-28 THD FORMING		
3.	312-387H	ARM WELDMENT	RCR2572 (Shown)	
3.	312-403H	ARM WELDMENT	RCR2560	
4.	802-106C	RHSNB 1/2-13X1 1/2 GR5		Rev. 2
4.	802-214C	RHSNB 1/2-13X1 1/4 GR5		Rev 1; Use up stock
5.	312-616D	TAILWHEEL ARM ADJUST PLATE	Went to square holes (S/N 243129+)	
6.	804-016C	WASHER FLAT 1/2 SAE PLT		
7.	312-614D	TAILWHEEL VERT SUPPORT LH		
8.	312-615D	TAILWHEEL VERT SUPPORT RH		
9.	802-042C	HHCS 1/2-13X3 3/4 GR5		
10.	312-629D	SPACER TUBE 3/4 OD X 2 1/32		
11.	803-019C	NUT LOCK 1/2-13 PLT		
12.	805-255C	PIN ROLL 3/8 X 2 1/2 PLT	(S/N 209101+)	
12.	805-043C	PIN SPIRAL 3/8X2 1/2 PLAIN	(S/N 209100-)	
13.	890-961C	RC25 TAILWHEEL YOKE		Rev. 2
14.	802-280C	HHCS 3/4-10X7 1/2 GR5		
15.	803-026C	NUT LOCK 3/4-10 PLT		
16.	N/A	HUB 4BLT DUCTILE(USE 815-230C)		
17.	803-289C	NUT HEX 1 1/4-7(MACHINED)PLAIN		Rev. 2
17.	312-124D	TW SHOULDER NUT		Rev 1; Use up stock
18.	816-009C	OIL SEAL DOUBLE LIP		
19.	822-091C	BEARING CONE 15123		
20.	822-092C	BEARING CUP 15245		
21.	802-326C	HHCS 1/2-20X1 1/4 GR5	(S/N 336501+) Optional	Rev. 2
21.	802-240C	HHCS 1/2-20X1 GR5	(S/N 336500-) Optional	Rev 1; Use up stock
22.	804-015C	WASHER LOCK SPRING 1/2 PLT	Optional	
23.	804-016C	WASHER FLAT 1/2 SAE PLT	Optional	
24.	814-058C	TIRE & WHEEL LAMINATED 4.0 X 8		
25.	815-230C	HUB 4 BLT W/CUPS, ZERK & STUDS		Rev. 2
26.	800-001C	GREASE ZERK STRAIGHT 1/4-28		
27.	827-036C	BUSHING TW 1.25ODX.78IDX5 1/4		Rev. 2
27.	312-123D	TW SPINDLE TUBE		Rev 1; Use up stock
28.	815-092C	HUB & SPINDLE ASSY 4 BOLT		Rev. 2
28.	312-131K	RC25 & 35 TW ASSY - 15		Rev 1; Use up stock
29.	802-106C	RHSNB 1/2-13X1 1/2 GR5	(S/N 243129+)	
29.	802-091C	HHCS 1/2-13X1 1/2 GR5	(S/N 243128-)	Rev. 2
29.	802-034C	HHCS 1/2-13X1 1/4 GR5		Rev 1; Use up stock
30.	818-681C	DECAL NOTICE - 20 MPH MAX		
31.	814-161C	LAM 4X8 TR-WL-HUB-YOKE 25 SER.		
32.	803-308C	NUT HEX FLG/LK 1/2-20 PLT GR G		
33.	802-135C	HUB STUD 1/2-20X1 5/8 GR5		

Tailwheel Dual

Applies to RCR2584, RCR2684 S/N 1180233-



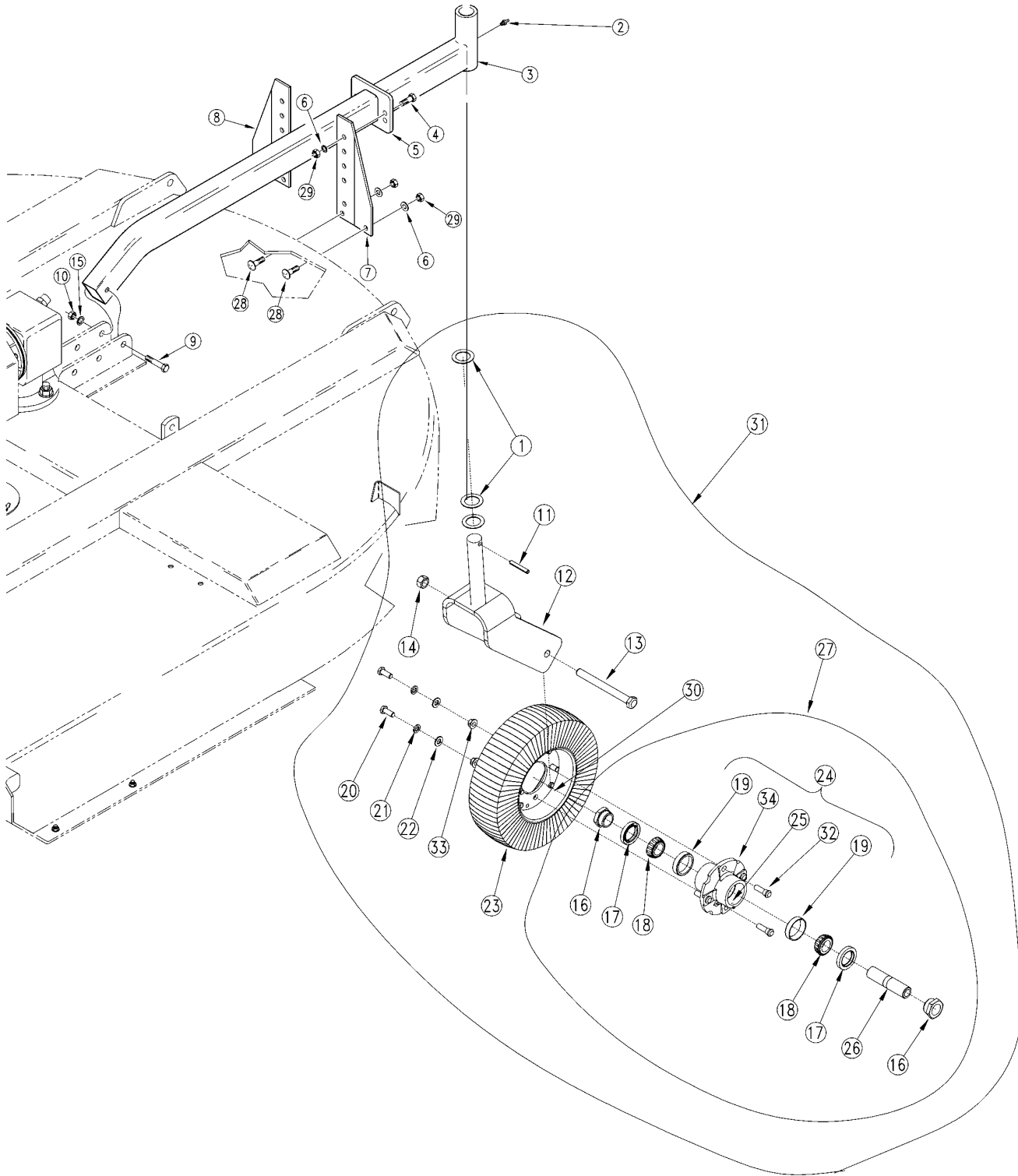
14033

Tailwheel Dual**Applies to RCR2584, RCR2684 S/N 1180233-**

Ref	Part No.	Part Description	Comments	Revision
	dwg14033	Drawing Image Number		
1.	312-879H	WELDMENT TAILWHEEL BEAM	S/N 534082+ Added 1 1/2" To Overall Length	
1.	312-431H	RPBY 312-879H		
2.	804-066C	WASHER MACH 2.25 X 1.50 X 14GA		Rev. 2
2.	804-063C	WASHER MACH 2.25 X 1.50 X 10GA		Rev 1; Use up stock
3.	800-080C	GREASE ZERK 1/4-28 THD FORMING		
4.	312-679D	ADJ. BRKT. INNER LH.		
4.	312-678D	ADJ. BRKT. INNER RH.		
5.	312-693D	ADJ. BRKT. OUTER LH.		
5.	312-692D	ADJ. BRKT. OUTER RH.		
6.	804-016C	WASHER FLAT 1/2 SAE PLT		
7.	802-041C	HHCS 1/2-13X3 1/2 GR5		
8.	803-019C	NUT LOCK 1/2-13 PLT		
9.	802-153C	HHCS 5/8-11X3 3/4 GR5		
10.	803-024C	NUT LOCK 5/8-11 PLT		
11.	804-021C	WASHER FLAT 5/8 SAE PLT		
12.	312-432H	TAILWHEEL BRACKET WELDMENT		
13.	802-091C	HHCS 1/2-13X1 1/2 GR5		
14.	805-255C	PIN ROLL 3/8 X 2 1/2 PLT	(S/N 209101+)	
14.	805-043C	PIN SPIRAL 3/8X2 1/2 PLAIN	(S/N 209100-)	
15.	890-961C	RC25 TAILWHEEL YOKE		Rev. 2
16.	802-280C	HHCS 3/4-10X7 1/2 GR5		
17.	803-026C	NUT LOCK 3/4-10 PLT		
18.	800-001C	GREASE ZERK STRAIGHT 1/4-28		
19.	803-289C	NUT HEX 1 1/4-7(MACHINED)PLAIN		Rev. 2
19.	312-124D	TW SHOULDER NUT		Rev 1; Use up stock
20.	816-009C	OIL SEAL DOUBLE LIP		
21.	822-091C	BEARING CONE 15123		
22.	822-092C	BEARING CUP 15245		
23.	802-326C	HHCS 1/2-20X1 1/4 GR5		Rev. 2
23.	802-240C	HHCS 1/2-20X1 GR5		Rev 1; Use up stock
24.	804-015C	WASHER LOCK SPRING 1/2 PLT		
25.	804-016C	WASHER FLAT 1/2 SAE PLT		
26.	814-058C	TIRE & WHEEL LAMINATED 4.0 X 8		
27.	815-230C	HUB 4 BLT W/CUPS, ZERK & STUDES	S/N 635192+	
27.	815-093C	RPBY 815-230C	S/N 635191-	Rev. 2
27.	312-106D	4 BOLT HUB		Rev 1; Use up stock
28.	827-036C	BUSHING TW 1.25ODX.78IDX5 1/4		
28.	312-123D	TW SPINDLE TUBE		Rev 1; Use up stock
29.	815-092C	HUB & SPINDLE ASSY 4 BOLT		Rev. 2
30.	802-106C	RHSNB 1/2-13X1 1/2 GR5		
31.	818-681C	DECAL NOTICE - 20 MPH MAX		
32.	802-135C	HUB STUD 1/2-20X1 5/8 GR5		
33.	803-308C	NUT HEX FLG/LK 1/2-20 PLT.GR.G		
34.	814-161C	LAM 4X8 TR-WL-HUB-YOKE 25 SER.		
35.	N/A	HUB 4BLT DUCTILE(USE 815-230C)		

Tailwheel Single

Applies to RCR2584, RCR2684 S/N 1180233-



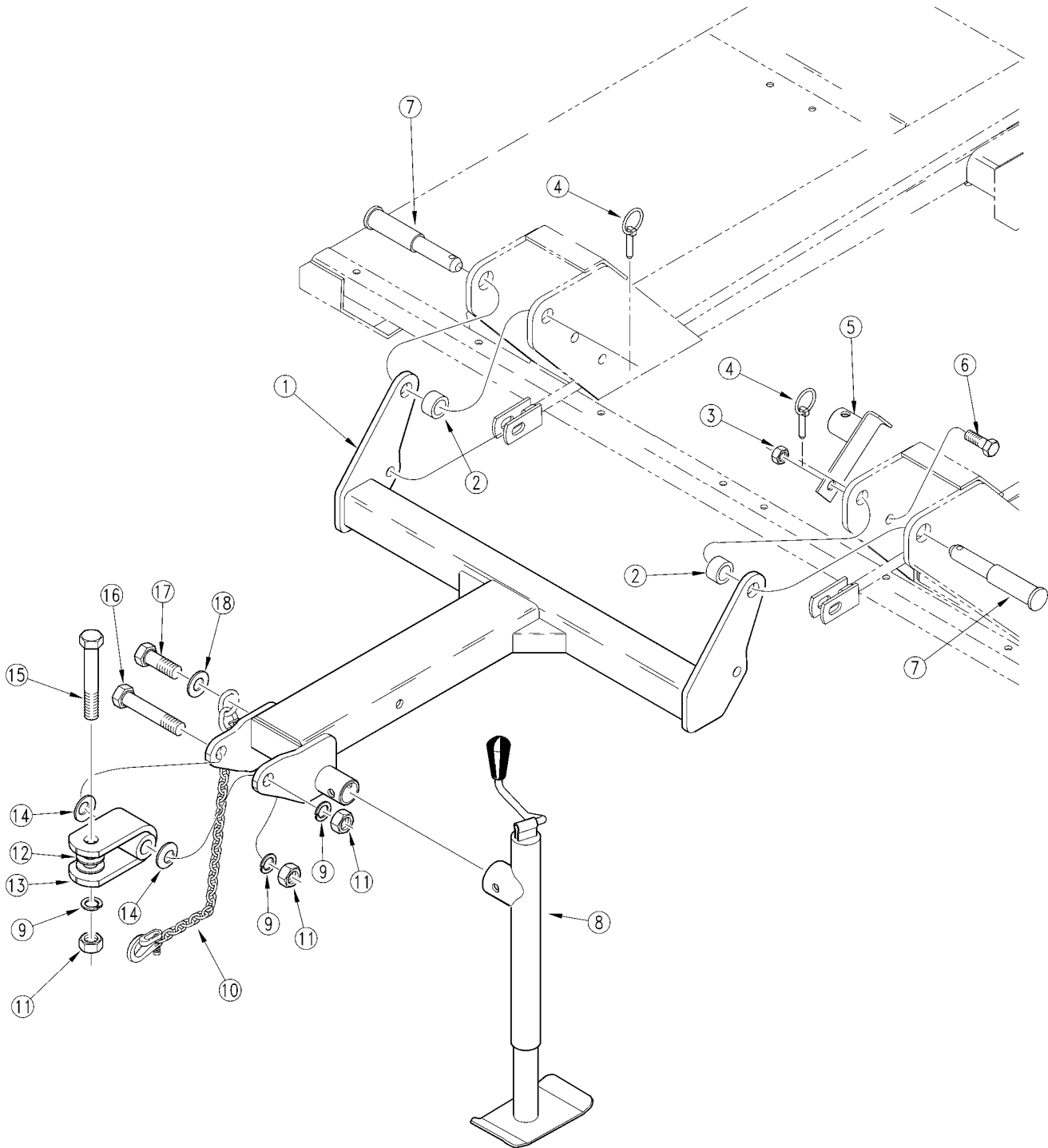
14032

Tailwheel Single**Applies to RCR2584, RCR2684 S/N 1180233-**

Ref	Part No.	Part Description	Comments	Revision
	dwg14032	Drawing Image Number		
1.	804-066C	WASHER MACH 2.25 X 1.50 X 14GA		Rev. 2
1.	804-063C	WASHER MACH 2.25 X 1.50 X 10GA		Rev 1; Use up stock
2.	800-080C	GREASE ZERK 1/4-28 THD FORMING		
3.	312-430H	TAILWHEEL BEAM WELDMENT		
4.	802-106C	RHSNB 1/2-13X1 1/2 GR5	(S/N 2433129)	
4.	802-091C	HHCS 1/2-13X1 1/2 GR5	(S/N 243128-)	Rev. 1
5.	312-616D	TAILWHEEL ARM ADJUST PLATE	Went to square holes (S/N 243129+)	
6.	804-016C	WASHER FLAT 1/2 SAE PLT		
7.	312-614D	TAILWHEEL VERT SUPPORT LH		
8.	312-615D	TAILWHEEL VERT SUPPORT RH		
9.	802-153C	HHCS 5/8-11X3 3/4 GR5		
10.	803-024C	NUT LOCK 5/8-11 PLT		
11.	805-255C	PIN ROLL 3/8 X 2 1/2 PLT	(S/N 209101+)	
11.	805-043C	PIN SPIRAL 3/8X2 1/2 PLAIN	(S/N 209100-)	Rev. 1
12.	890-961C	RC25 TAILWHEEL YOKE		
13.	802-280C	HHCS 3/4-10X7 1/2 GR5		
14.	803-026C	NUT LOCK 3/4-10 PLT		
15.	804-021C	WASHER FLAT 5/8 SAE PLT		
16.	803-289C	NUT HEX 1 1/4-7(MACHINED)PLAIN		Rev. 2
16.	312-124D	TW SHOULDER NUT		Rev 1; Use up stock
17.	816-009C	OIL SEAL DOUBLE LIP		
18.	822-091C	BEARING CONE 15123		
19.	822-092C	BEARING CUP 15245		
20.	802-326C	HHCS 1/2-20X1 1/4 GR5		Rev. 2
20.	802-240C	HHCS 1/2-20X1 GR5		Rev 1; Use up stock
21.	804-015C	WASHER LOCK SPRING 1/2 PLT		
22.	804-016C	WASHER FLAT 1/2 SAE PLT		
23.	814-058C	TIRE & WHEEL LAMINATED 4.0 X 8		
24.	815-230C	HUB 4 BLT W/CUPS, ZERK & STUDS	S/N 635192+	REV 2
24.	815-093C	RPBY 815-230C	S/N 635191-	
24.	312-106D	4 BOLT HUB		Rev 1; Use up stock
25.	800-001C	GREASE ZERK STRAIGHT 1/4-28		
26.	827-036C	BUSHING TW 1.25ODX.78IDX5 1/4		Rev. 2
26.	312-123D	TW SPINDLE TUBE		Rev 1; Use up stock
27.	815-092C	HUB & SPINDLE ASSY 4 BOLT		Rev. 2
27.	312-131K	RC25 & 35 TW ASSY - 15		Rev 1; Use up stock
28.	802-106C	RHSNB 1/2-13X1 1/2 GR5		
29.	803-019C	NUT LOCK 1/2-13 PLT		
30.	818-681C	DECAL NOTICE - 20 MPH MAX		
31.	814-161C	LAM 4X8 TR-WL-HUB-YOKE 25 SER.		
32.	802-135C	HUB STUD 1/2-20X1 5/8 GR5		
33.	803-308C	NUT HEX FLG/LK 1/2-20 PLT.GR.G		
34.	N/A	HUB 4BLT DUCTILE(USE 815-230C)		

Tongue

Applies to RCR2584, RCR2684 S/N 1180233-



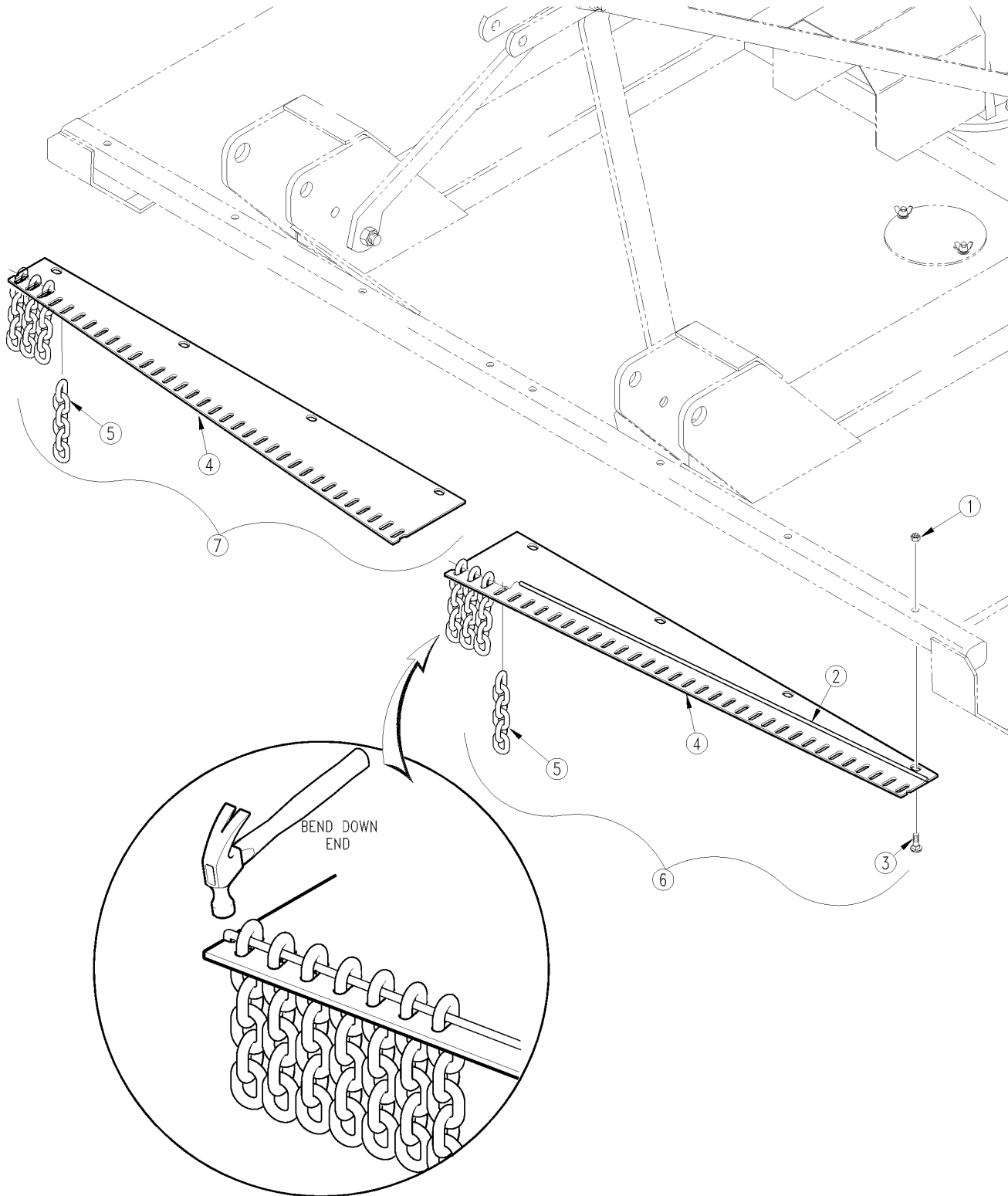
14035

Tongue**Applies to RCR2584, RCR2684 S/N 1180233-**

Ref	Part No.	Part Description	Comments	Revision
	dwg14035	Drawing Image Number		
1.	312-420H	TONGUE WELDMENT		
2.	312-733D	TUBE 1 5/8 OD X 7/32 WL X1 LG.		
3.	803-026C	NUT LOCK 3/4-10 PLT		
4.	805-103C	PIN LYNCH 7/16 X 1 3/4		
5.	312-423H	PARKING JACK SUPPORT WELDMENT		
6.	802-392C	HHCS 3/4-10X1 3/4 GR5		
7.	300-236D	HITCH PIN		
8.	890-118C	SCREW JACK 2000#		
9.	804-027C	WASHER LOCK SPRING 1 PLT		
10.	891-246C	AG SAFETY CHAIN 6400 LB	S/N 688691+	
10.	890-182C	SAFETY CHAIN 10000 LB	S/N 688690-	
11.	803-031C	NUT HEX 1-8 PLT		
12.	804-028C	WASHER FLAT 1 USS		
13.	312-421H	CLEVIS WELDMENT		
14.	804-125C	WASHER BELLEVILLE 1ID		
15.	802-098C	HHCS 1-8X4 1/2 GR5		
16.	802-074C	HHCS 1-8X6 1/2 GR5		
17.	802-096C	HHCS 1-8X2 1/2 GR5		
18.	804-029C	WASHER FLAT 1 SAE		

Guard Front Chain

Applies to RCR2584, RCR2684 S/N 1180233-



14038

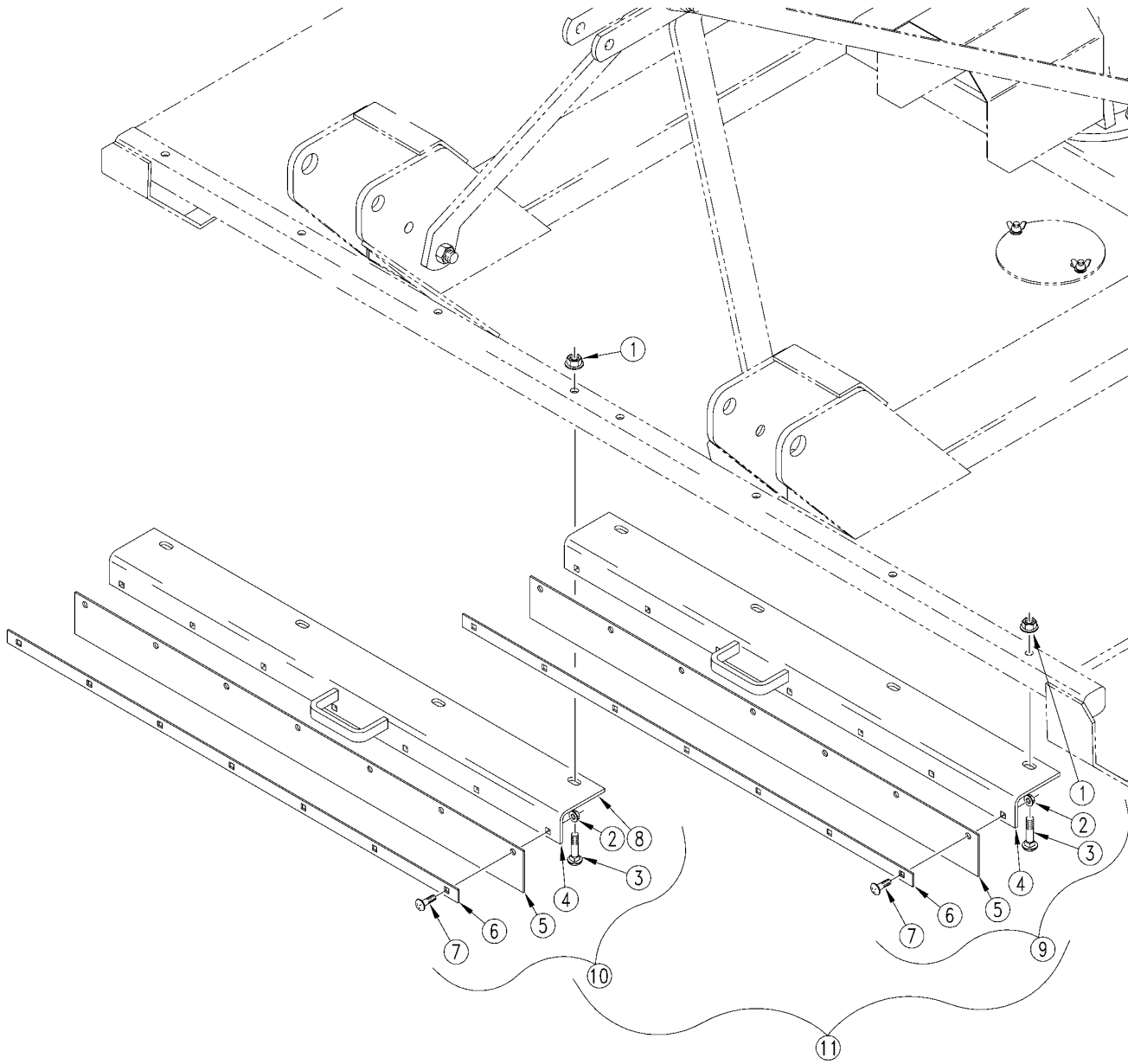
Guard Front Chain

Applies to RCR2584, RCR2684 S/N 1180233-

Ref	Part No.	Part Description	Comments	Revision
	dwg14038	Drawing Image Number		
	312-435A	RCR2584 FRONT CHAINGUARD ASSY		
1.	803-019C	NUT LOCK 1/2-13 PLT		
2.	312-737D	ROD 1/4 X 43 PLTD.		
3.	802-440C	RHSNB 1/2-13X2 3/4 GR5		
4.	312-680D	RCR2584 FRONT CHAINGUARD		
5.	890-393C	CHAIN WELD 5/16 PROOF X 7-LINK		
6.	312-647K	LH FRNT CHN GRD SUB		
7.	312-685K	RH FRNT CHN GRD SUB		

Guard Front Rubber

Applies to RCR2584, RCR2684 S/N 1180233-



18179

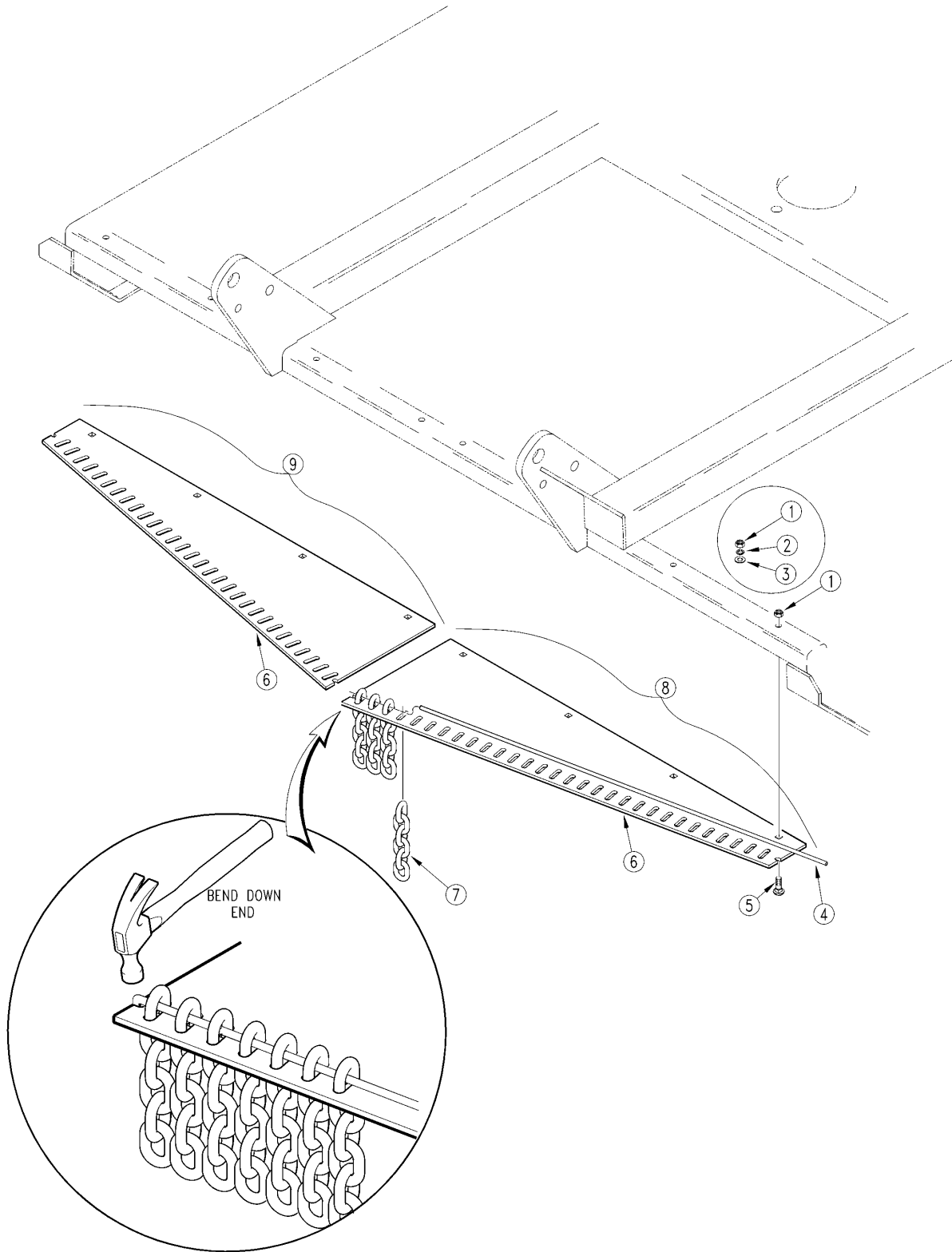
Guard Front Rubber

Applies to RCR2584, RCR2684 S/N 1180233-

Ref	Part No.	Part Description	Comments	Revision
	dwg18179	Drawing Image Number		
1.	803-037C	NUT HEX WHIZ 1/2-13 PLT		
2.	803-198C	NUT HEX WHIZ 3/8-16 PLT		
3.	802-440C	RHSNB 1/2-13X2 3/4 GR5		
4.	312-490H	84" WLDMT. DEF. BRKT. LH.		
5.	816-264C	84" FRONT RUBBER DEFLECTOR		
6.	312-774D	84" DEFLECTOR SUPPORT FLAT		
7.	802-155C	RHSNB 3/8-16X1 1/4 GR5		
8.	312-491H	84" WLDMT. DEF. BRKT. RH.		
9.	312-492L	RCR2584 ASSY. DEF. BRKT. LH.		
10.	312-493L	RCR2584 ASSY. DEF. BRKT. RH.		
11.	312-483A	RCR2584 FRONT RUBBER GUARDS		

Guard Front Safety Chain

Applies to RCR2560, RCR2572



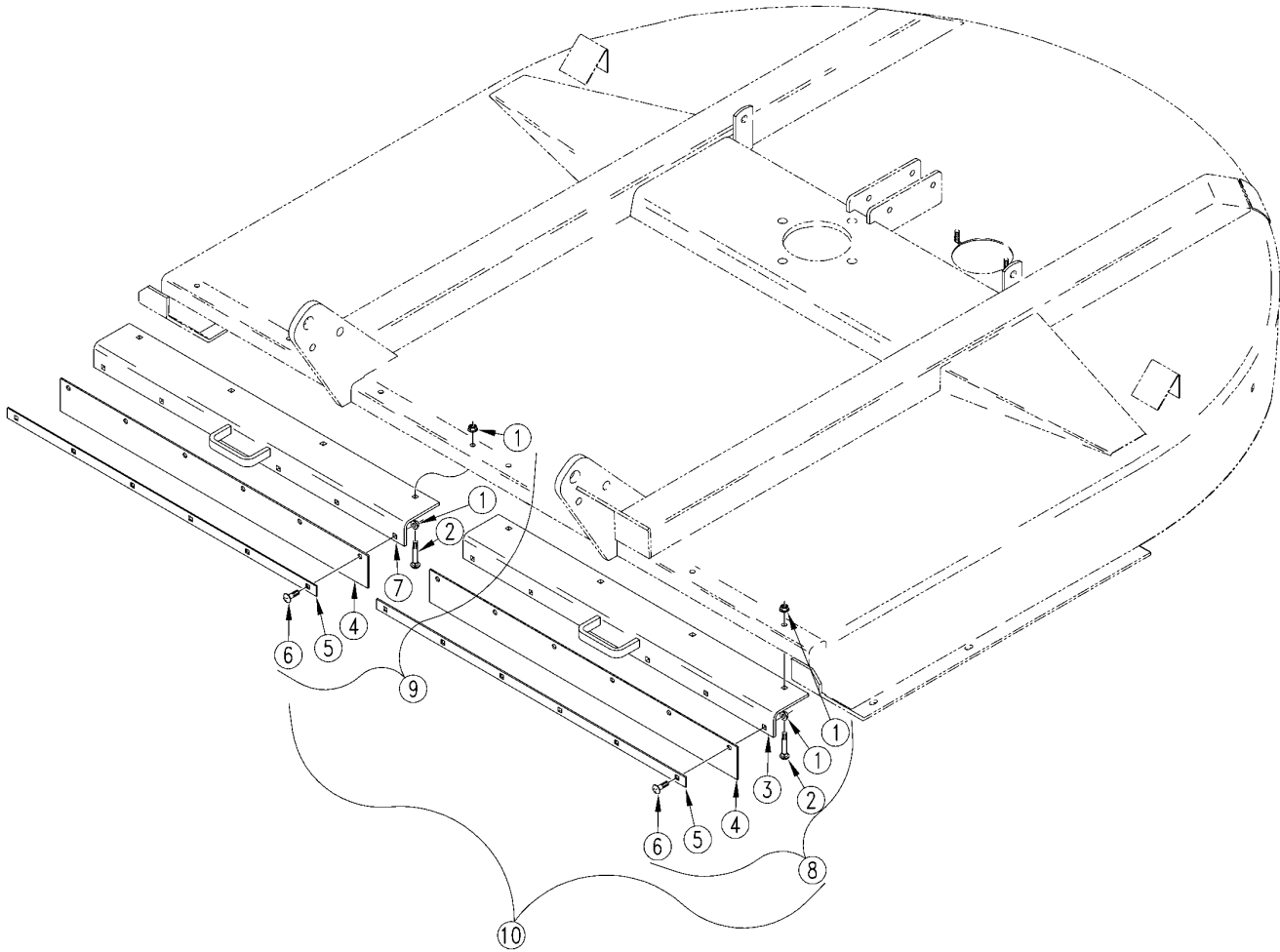
13451

Guard Front Safety Chain**Applies to RCR2560, RCR2572**

Ref	Part No.	Part Description	Comments	Revision
	dwg13451	Drawing Image Number		
	312-395A	RCR2572 FRONT CHAIN GUARD ASSY		
	312-409A	RCR2560 FRONT CHAIN GUARD ASSY		
1.	803-013C	NUT LOCK 3/8-16 PLT		Rev. 2
1.	803-014C	NUT HEX 3/8-16 PLT		Rev 1; Use up stock
2.	804-013C	WASHER LOCK SPRING 3/8 PLT	Replaced by 803-013C	Rev 1; Use up stock
3.	804-012C	WASHER FLAT 3/8 SAE PLT	Replaced by 803-013C	Rev 1; Use up stock
4.	312-624D	ROD 1/4 DIA X 38 1/8 LONG	RCR2572	
4.	312-655D	ROD 1/4 DIA X 32 3/8 LONG	RCR2560	
5.	802-468C	RHSNB 3/8-16X2 3/4 GR5 PLT		
6.	312-620D	FRONT CHAIN GUARD	RCR2572	
6.	312-649D	FRONT CHAIN GUARD	RCR2560	
7.	890-175C	CHAIN 5/16 PROOF X 6 LINKS PLT		
8.	312-643K	RCR2560 LH FRNT CHN GRD SUB		
8.	312-639K	RCR2572 LH FRNT CHN GRD SUB		
9.	312-683K	RCR2560 RH FRNT CHN GRD SUB		
9.	312-684K	RCR2572 RH FRNT CHN GRD SUB		

Guard Front Safety Rubber

Applies to RCR2560, RCR2572



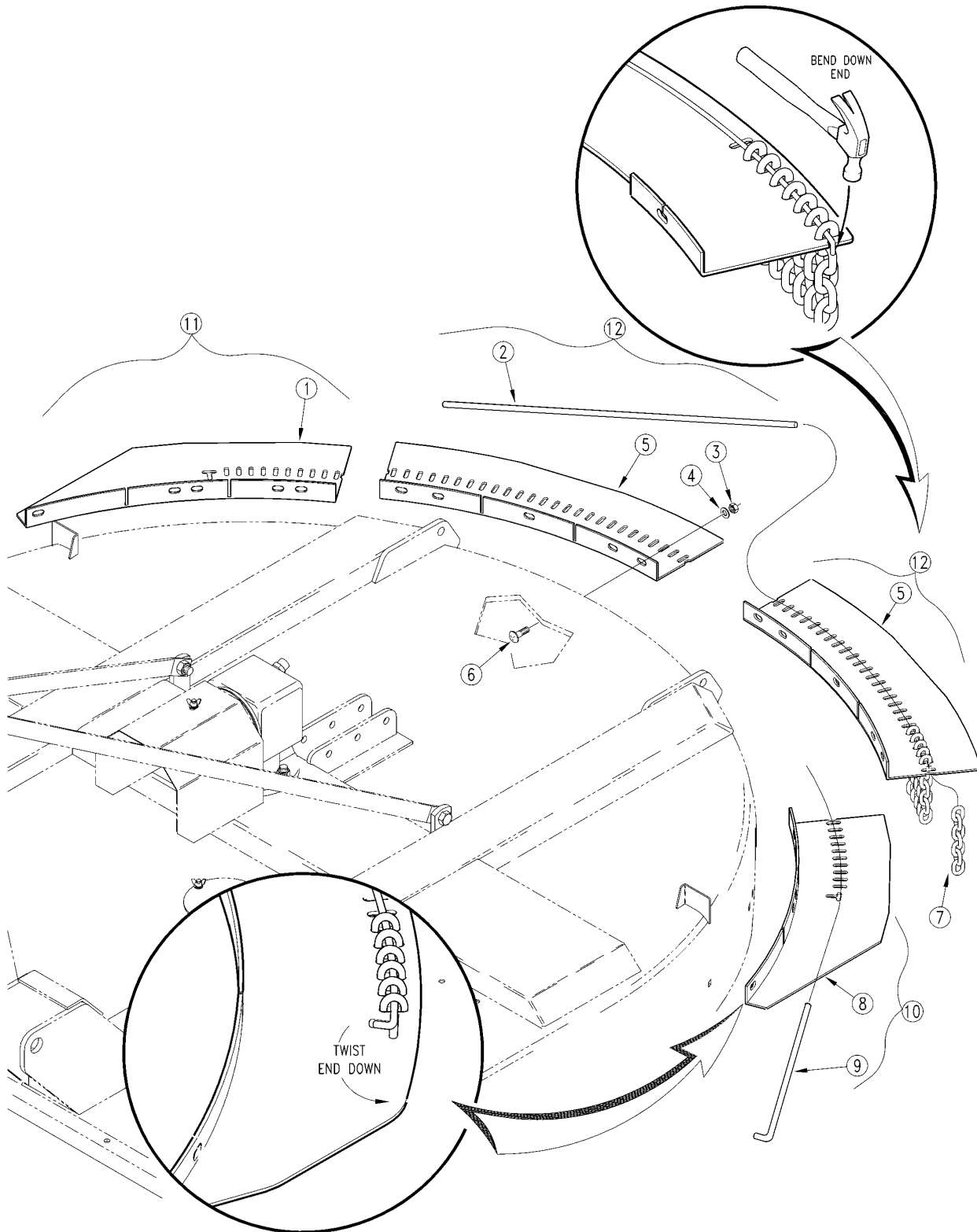
18178

Guard Front Safety Rubber**Applies to RCR2560, RCR2572**

Ref	Part No.	Part Description	Comments	Revision
	dwg18178	Drawing Image Number		
1.	803-198C	NUT HEX WHIZ 3/8-16 PLT		
2.	802-468C	RHSNB 3/8-16X2 3/4 GR5 PLT		
3.	312-488H	72" WLDMT. DEF. BRKT.		
3.	312-484H	60" WLDMT. DEF. BRKT. LH.		
4.	816-263C	72" FRONT RUBBER DEFLECTOR		
4.	816-262C	60" FRONT RUBBER DEFLECTOR		
5.	312-772D	72" DEFLECTOR SUPPORT FLAT		
5.	312-770D	60" DEFLECTOR SUPPORT FLAT		
6.	802-155C	RHSNB 3/8-16X1 1/4 GR5		
7.	312-488H	72" WLDMT. DEF. BRKT.		
7.	312-485H	60" WLDMT. DEF. BRKT. RH.		
8.	312-489L	RCR2572 ASSY. DEF. BRKT.		
8.	312-486L	RCR2560 ASSY. DEF. BRKT. LH.		
9.	312-489L	RCR2572 ASSY. DEF. BRKT.		
9.	312-487L	RCR2560 ASSY. DEF. BRKT. RH.		
10.	312-482A	RCR2572 FRONT RUBBER GUARDS		
10.	312-481A	RCR2560 FRONT RUBBER GUARDS		

Guard Rear Chain

Applies to RCR2584, RCR2684 S/N 1180233-



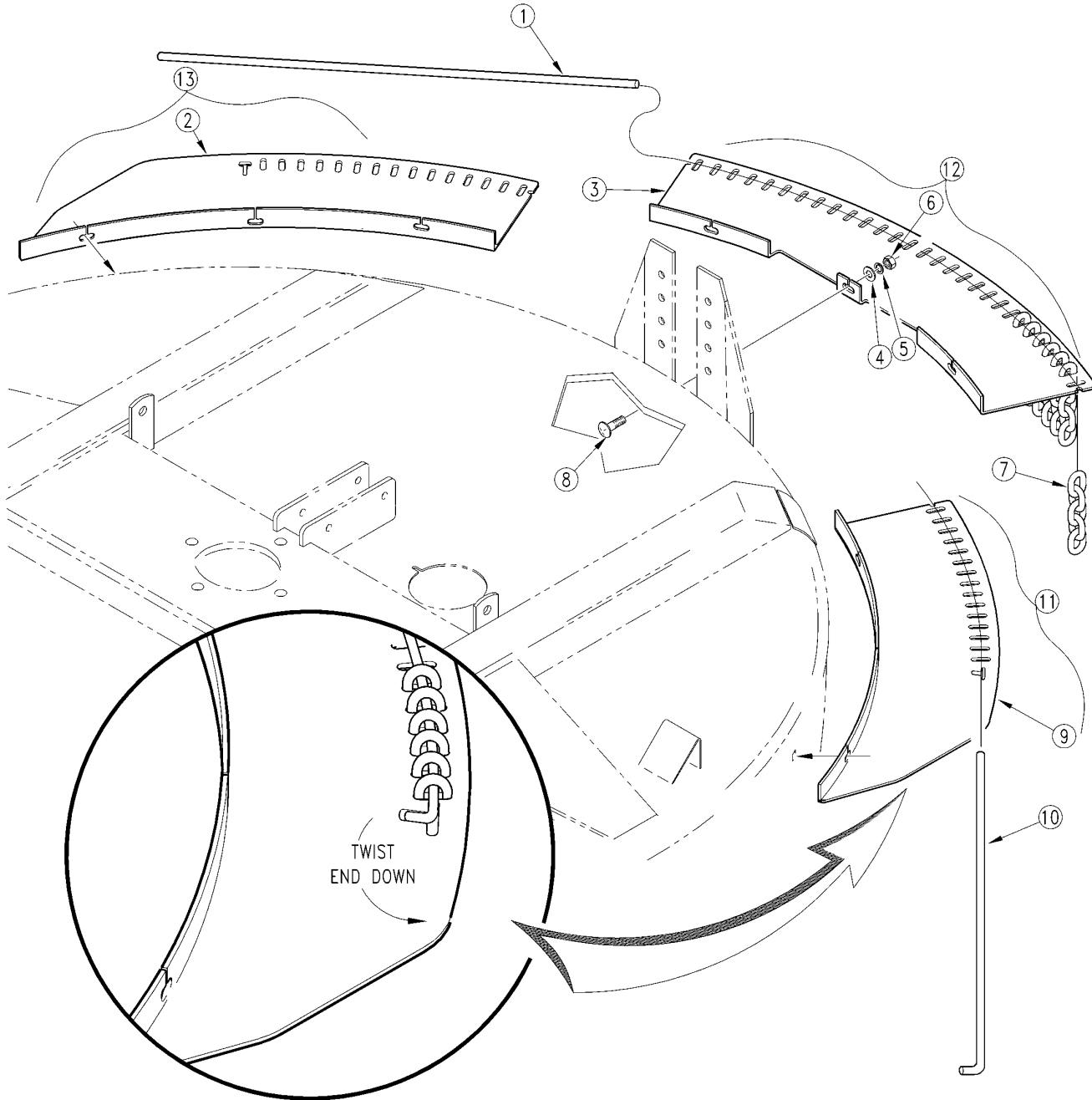
14039

Guard Rear Chain**Applies to RCR2584, RCR2684 S/N 1180233-**

Ref	Part No.	Part Description	Comments	Revision
	dwg14039	Drawing Image Number		
	312-436A	RCR2584 REAR CHAINGUARD ASSY		
1.	312-682D	RCR2584 REAR RH. CHAINGUARD		
2.	312-736D	ROD 1/4 X 31 3/4 PLTD.		
3.	803-019C	NUT LOCK 1/2-13 PLT		
4.	804-016C	WASHER FLAT 1/2 SAE PLT		
5.	312-681D	RCR2584 REAR CEN CHAINGUARD		
6.	802-106C	RHSNB 1/2-13X1 1/2 GR5		
7.	890-341C	CHAIN WELD 5/16 PROOF X 5 LINK		
8.	312-683D	RCR2584 REAR LH. CHAINGUARD		
9.	312-734D	ROD 1/4 X 13 1/2 PLTD.		
10.	312-648K	RCR2584 LH REAR CHN GRD SUB		
11.	312-649K	RCR2584 RH REAR CHN GRD SUB		
12.	312-650K	RCR2584 CTR REAR CHN GRD SUB		

Guard Rear Safety Chain

Applies to RCR2560, RCR2572

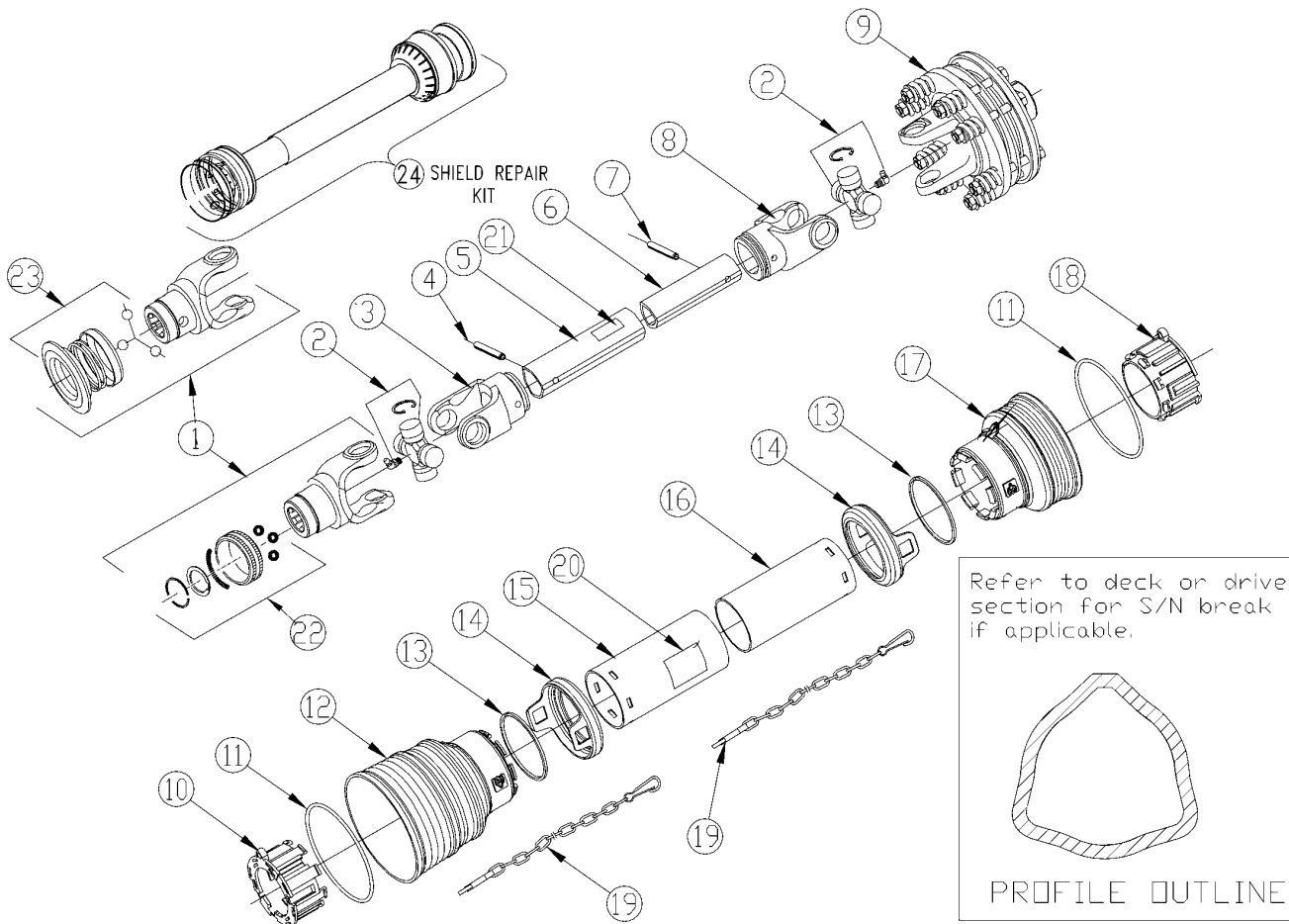


Guard Rear Safety Chain**Applies to RCR2560, RCR2572**

Ref	Part No.	Part Description	Comments	Revision
	dwg13452	Drawing Image Number		
	312-396A	RCR2572 REAR CHAIN GUARD ASSY		
	312-410A	RCR2560 REAR CHAIN GUARD ASSY		
1.	312-624D	ROD 1/4 DIA X 38 1/8 LONG	RCR2572	
1.	312-653D	ROD 1/4 DIA X 33 3/16 LONG	RCR2560	
2.	312-622D	RH REAR CHAIN GUARD	RCR2572	
2.	312-651D	RH REAR CHAIN GUARD	RCR2560	
3.	312-623D	CTR REAR CHAIN GUARD	RCR2572	
3.	312-652D	CTR REAR CHAIN GUARD	RCR2560	
4.	804-016C	WASHER FLAT 1/2 SAE PLT		
5.	804-015C	WASHER LOCK SPRING 1/2 PLT		
6.	803-020C	NUT HEX 1/2-13 PLT		
7.	890-341C	CHAIN WELD 5/16 PROOF X 5 LINK		
8.	802-106C	RHSNB 1/2-13X1 1/2 GR5		Rev. 2
8.	802-214C	RHSNB 1/2-13X1 1/4 GR5		Rev 1; Use up stock
9.	312-621D	LH REAR CHAIN GUARD	RCR2572	
9.	312-650D	LH REAR CHAIN GUARD	RCR2560	
10.	318-142D	ROUND ROD 1/4 X 21		
10.	312-625D	RPBY 318-142D	RCR2572	
10.	312-654D	ROD 1/4 DIA X 18 5/8 LONG	RCR2560	
11.	312-644K	RCR2560 LH REAR CHN GRD SUB	Includes items 4 through 10	
11.	312-640K	RCR2572 LH REAR CHN GRD SUB		
12.	312-646K	RCR2560 CNT REAR CHN GRD SUB	Includes items 1 & 3 through 8	
12.	312-642K	RCR2572 CTR REAR CHN GRD SUB		
13.	312-645K	RCR2560 RH REAR CHN GRD SUB	Includes items 2, 4 through 8 & 10	
13.	312-641K	RCR2572 RH REAR CHN GRD SUB		

Driveline (826-146C) EC New Shields

Applies to RCR2572

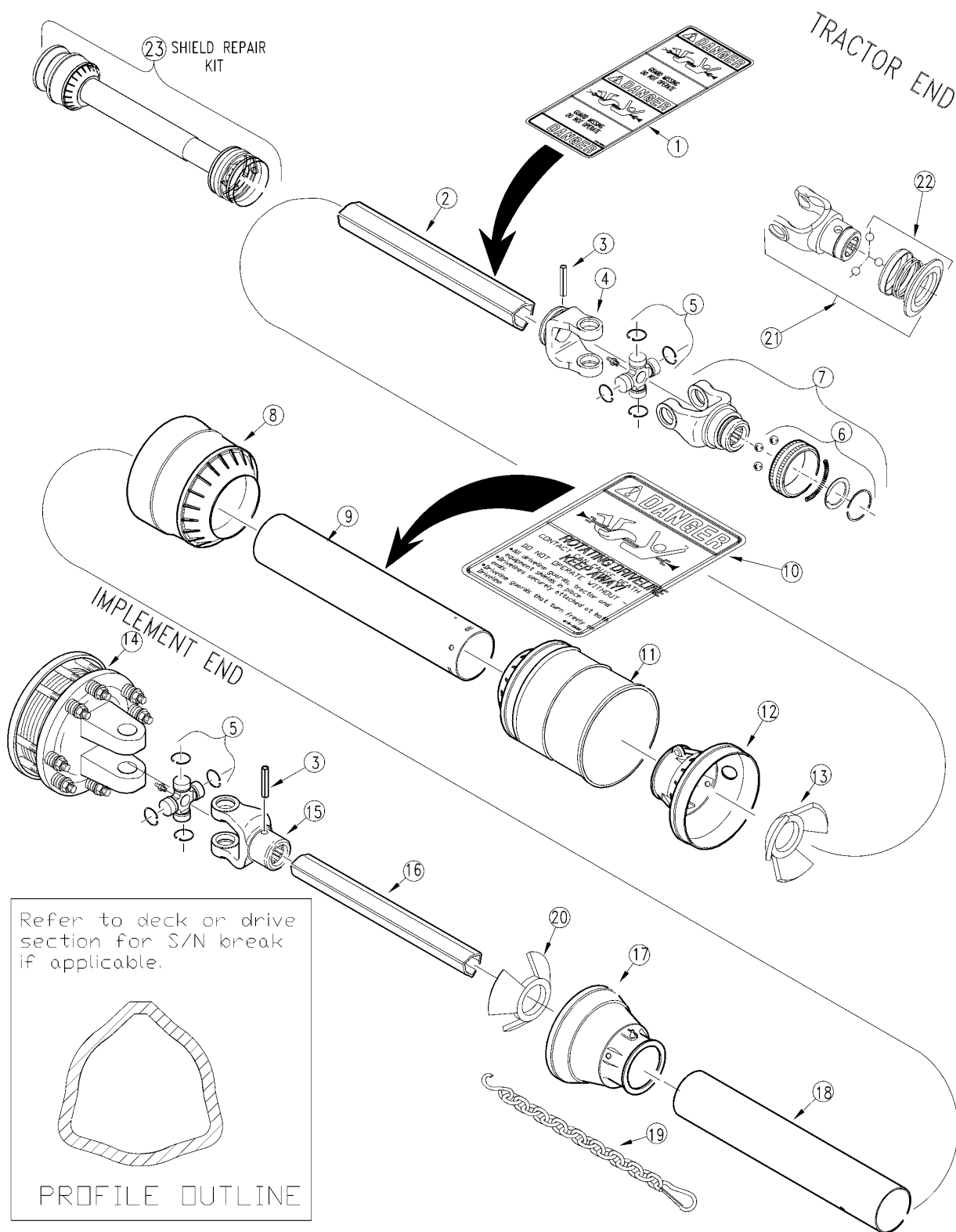


Driveline (826-146C) EC New Shields**Applies to RCR2572**

Ref	Part No.	Part Description	Comments	Revision
	dwg21426	Drawing Image Number		
	826-146C	PTO CAT. 4 X 39.7 SLIP CLUTCH *		
1.	1016012	YOKE ASSEMBLY (TRACT. END)	Pull Collar	
1.	1016010	RPBY 1016012	Twist Collar	
2.	1006020	EC CROSS ASSEMBLY		
3.	1706027	EC OUTER TUBE YOKE		
4.	6331080	EC 10X80-DIN-1481 O/TUBE R/PIN		
5.	1528084	EC 840MM OUT. STOCK LENGTH TB.		
6.	1526084	EC 840MM INNER STOCK TUBE		
7.	6331070	EC 10X70 ROLL PIN		
8.	1706029	EC INNER TUBE YOKE		
9.	1466030	TORQUE LIMITER 4 FRICTION DISK		
10.	1786710	EC TUBE BEARING (OUTER TUBE)		
11.	1215733	EC STIFFENING RING		
12.	1885703	EC STANDARD CONE		
13.	1215735	EC STOP RING		
14.	1885709	EC SAFETY SLEEVE		
15.	1876074	EC OUTER TUBE (1876094) 740MM		
16.	1877074	EC INNER TUBE (1877094) 740MM		
17.	1885702	EC SHORT CONE		
18.	1786711	EC TUBE BEARING (INNER TUBE)		
19.	044321	DRIVELINE SHIELD SAFETY CHAIN		
20.	818-552C	DECAL DANGER PTO DRIVELINE		
21.	818-540C	DECAL DANGER GUARD MISS PTO		
22.	1004220	EC TWIST COLLAR KIT (TRT. END)		
23.	1004225	EC PULL COLLAR KIT		
24.	826-574C	SHIELD KIT, 826-146C		

Driveline (826-146C) EC Old Shields

Applies to RCR2572



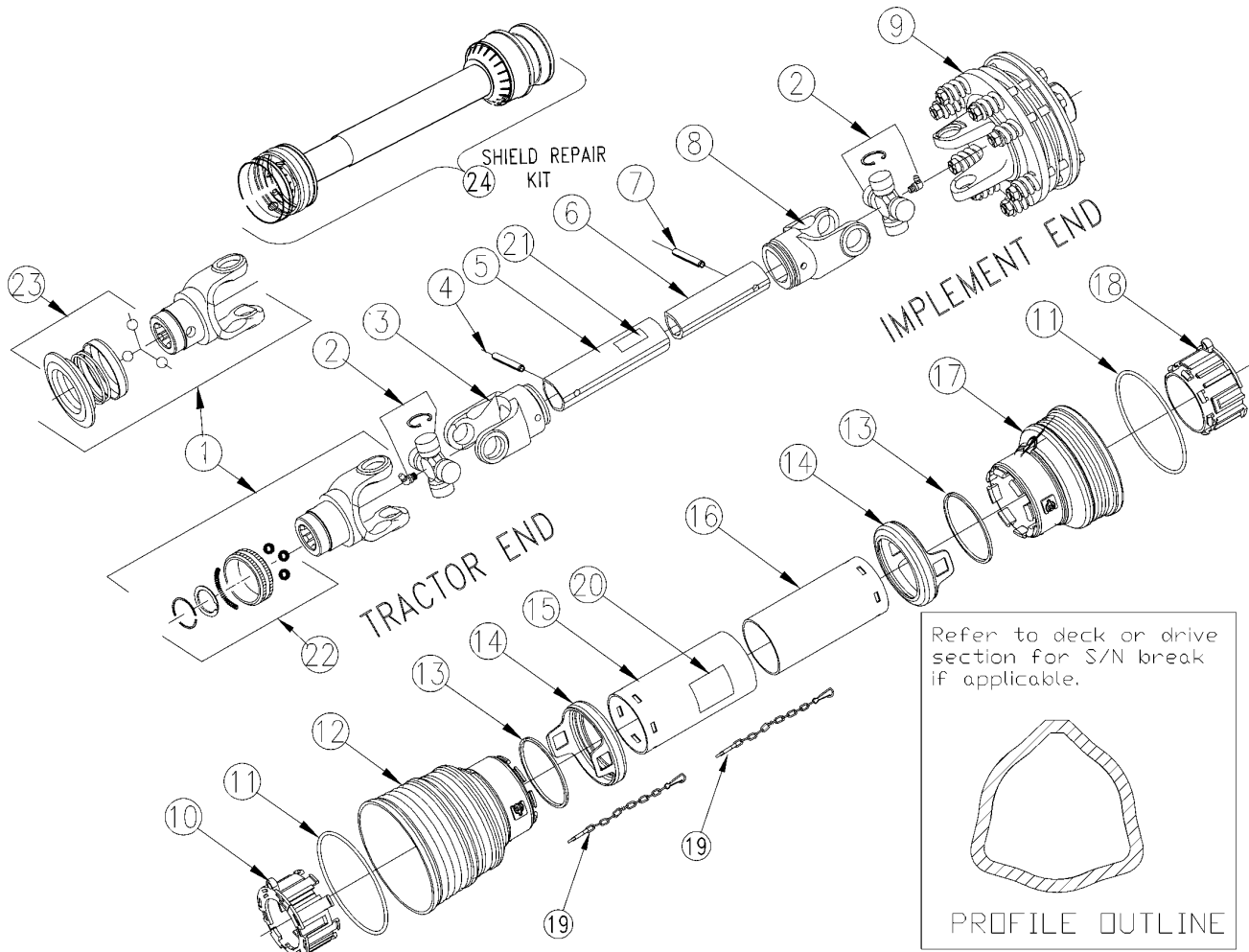
14367

Driveline (826-146C) EC Old Shields**Applies to RCR2572**

Ref	Part No.	Part Description	Comments	Revision
	Dwg 14367	Drawing Image Number		
	826-146C	PTO CAT. 4 X 39.7 SLIP CLUTCH		
1.	818-540C	DECAL DANGER GUARD MISS PTO		
2.	1528084	EC 1010MM OUTER TUBE		
3.	6331080	EC 10X80-DIN-1481 O/TUBE R/PIN		
4.	1706027	EC OUTER TUBE YOKE		
5.	1006020	EC CROSS ASSEMBLY		
6.	1004220	EC TWIST COLLAR KIT (TRT. END)		
7.	1016010	EC YOKE ASSEMBLY (TRACT. END)		Rev. 2
7.	1706570	RPBY 1016010		Rev 1; Use up stock
8.	1886012	EC SOFT CONE		
9.	1875076	RPBY 826-574C		
10.	818-552C	DECAL DANGER PTO DRIVELINE		
11.	1886013	EC SOFT CONE		
12.	1786010	EC OUTER TUBE RIGID CONE		
13.	1786009	EC TUBE BEARING		
14.	1466030	TORQUE LIMITER 4 FRICTION DISK		
15.	1706029	EC INNER TUBE YOKE		
16.	1526084	EC 840MM INNER/OUTER TUBE		
17.	1786011	EC INNER TUBE RIGID CONE		
18.	1874076	EC INNER TUBE (1874113) 760MM		
19.	044321	DRIVELINE SHIELD SAFETY CHAIN		
20.	1786008	EC TUBE BEARING (OLD STYLE)		
21.	1016012	YOKE ASSEMBLY PULL TYPE		
22.	1004227	EC PULL COLLAR KIT EVOLUTION		
22.	1004225	RPBY 1004227		
23.	826-574C	SHIELD KIT, 826-146C		

Driveline (826-147C) EC New Shields

Applies to RCR2560

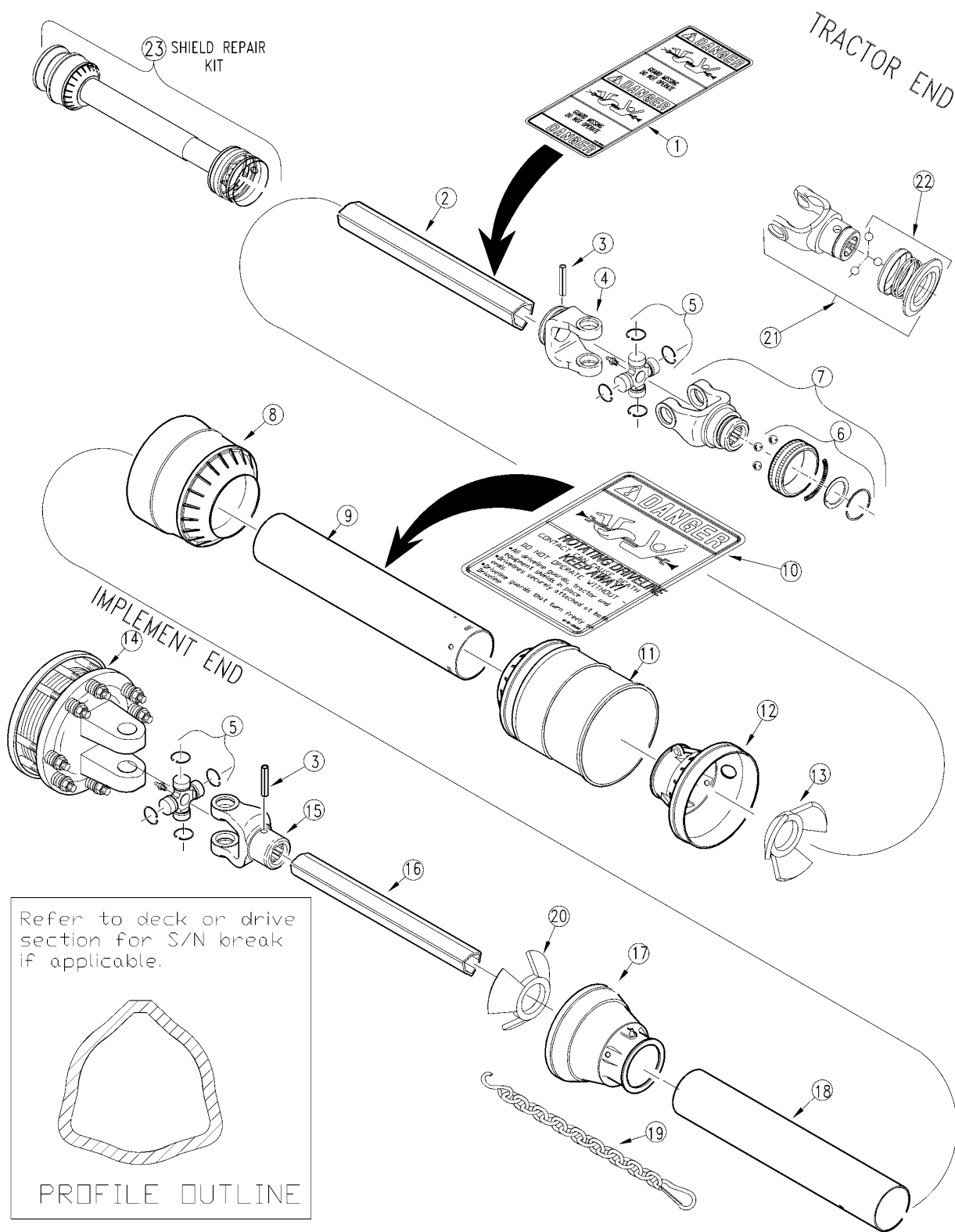


Driveline (826-147C) EC New Shields**Applies to RCR2560**

Ref	Part No.	Part Description	Comments	Revision
	dwg21187 826-147C	Drawing Image Number AX6 DRIVELINE WITH SLIP CLUTCH *		
1.	1016012	YOKE ASSEMBLY (TRACT. END)	Pull Collar	
1.	1016010	RPBY 1016012	Twist Collar	
2.	1006020	EC CROSS ASSEMBLY		
3.	1706027	EC OUTER TUBE YOKE		
4.	6331080	EC 10X80-DIN-1481 O/TUBE R/PIN		
5.	1528074	EC OUTER TUBE (1528084) 740MM		
6.	1526074	EC INNER TUBE (1526084) 740MM		
7.	6331070	EC 10X70 ROLL PIN		
8.	1706029	EC INNER TUBE YOKE		
9.	1466030	TORQUE LIMITER 4 FRICTION DISK		
10.	1786710	EC TUBE BEARING (OUTER TUBE)		
11.	1215733	EC STIFFENING RING		
12.	1885703	EC STANDARD CONE		
13.	1215735	EC STOP RING		
14.	1885709	EC SAFETY SLEEVE		
15.	1876064	EC OUTER TUBE (1876094) 640MM		
16.	1877064	EC INNER TUBE (1877094) 640MM		
17.	1885702	EC SHORT CONE		
18.	1786711	EC TUBE BEARING (INNER TUBE)		
19.	044321	DRIVELINE SHIELD SAFETY CHAIN		Rev. 2
19.	1006065	REP BY 044321		Rev 1; Use up stock
20.	818-552C	DECAL DANGER PTO DRIVELINE		Rev. 2
20.	1140001	REP BY 818-552C		Rev 1; Use up stock
21.	818-540C	DECAL DANGER GUARD MISS PTO		Rev. 2
21.	1140003	REP BY 818-540C		Rev 1; Use up stock
22.	1004220	EC TWIST COLLAR KIT (TRT. END)		
23.	1004227	EC PULL COLLAR KIT EVOLUTION		
24.	826-575C	SHIELD KIT, 826-147C		

Driveline (826-147C) EC Old Shields

Applies to RCR2560



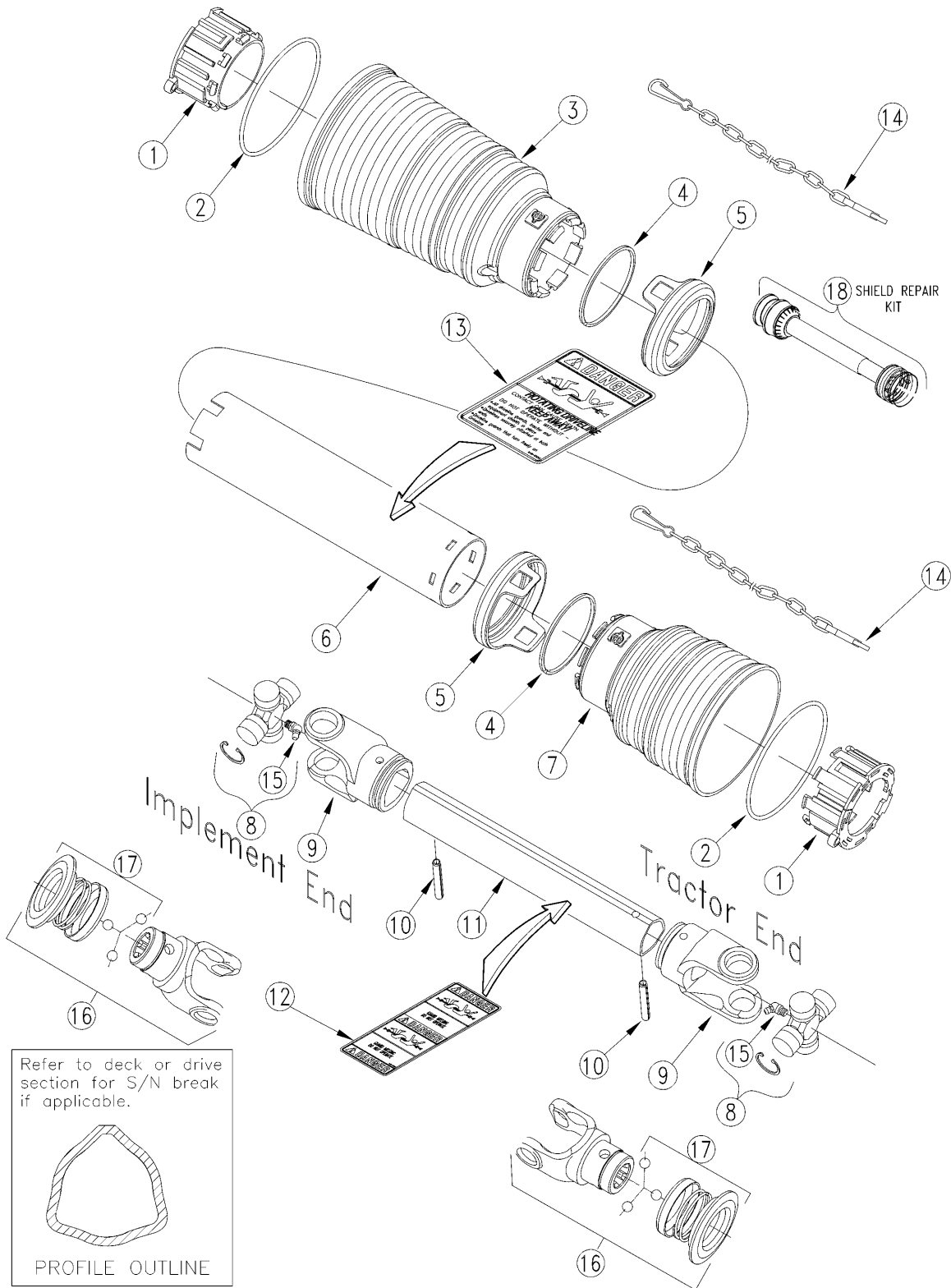
14367

Driveline (826-147C) EC Old Shields**Applies to RCR2560**

Ref	Part No.	Part Description	Comments	Revision
	Dwg 14367	Drawing Image Number		
	826-147C	PTO CAT. 4 X 35.8 SLIP CLUTCH		
1.	818-540C	DECAL DANGER GUARD MISS PTO		
2.	1528074	EC OUTER TUBE (1528084) 740MM		
3.	6331080	EC 10X80-DIN-1481 O/TUBE R/PIN		
4.	1706027	EC OUTER TUBE YOKE		
5.	1006020	EC CROSS ASSEMBLY		
6.	1004220	EC TWIST COLLAR KIT (TRT. END)		Rev. 2
7.	1016012	EC YOKE ASSEMBLY (TRACT. END)		
8.	1886012	EC SOFT CONE		
9.	1875066	EC 660MM OUTER TUBE		
10.	818-552C	DECAL DANGER PTO DRIVELINE		
11.	1886013	EC SOFT CONE		
12.	1786010	EC OUTER TUBE RIGID CONE		
13.	1786009	EC TUBE BEARING		
14.	1466030	TORQUE LIMITER 4 FRICTION DISK		
15.	1706029	EC INNER TUBE YOKE		
16.	1526074	EC INNER TUBE (1526084) 740MM		
17.	1786011	EC INNER TUBE RIGID CONE		
18.	1874066	EC 660MM INNER TUBE		
19.	044321	DRIVELINE SHIELD SAFETY CHAIN		
20.	1786008	EC TUBE BEARING (OLD STYLE)		
21.	1016012	EC YOKE ASSEMBLY (TRACT. END)		
22.	1004227	EC PULL COLLAR KIT EVOLUTION		
23.	826-575C	SHIELD KIT, 826-147C		

Driveline Fixed Shaft (826-151C) EC New Shielding

Applies to RCR2584, RCR2684 S/N 1180233-



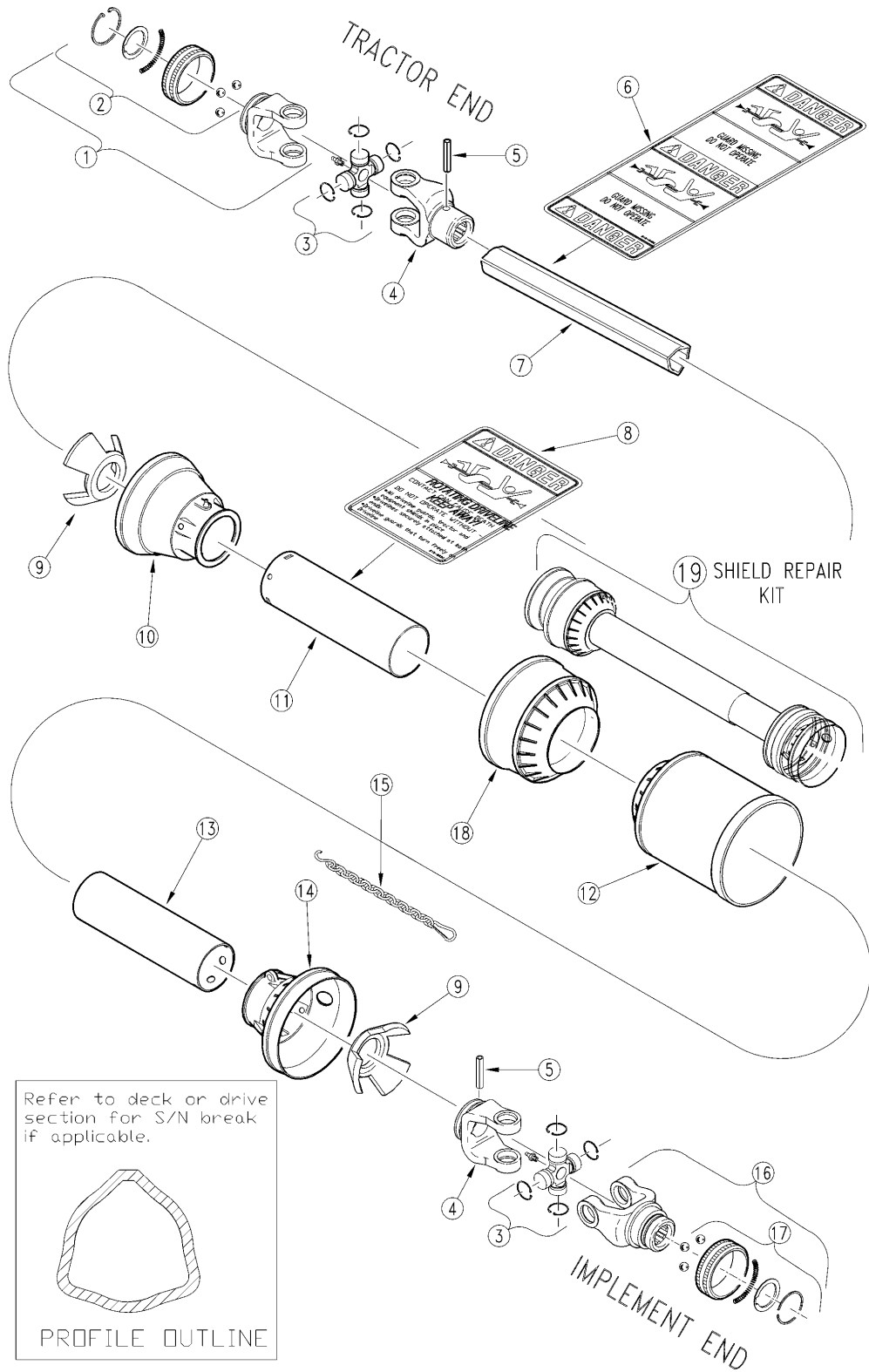
16610

Driveline Fixed Shaft (826-151C) EC New Shielding**Applies to RCR2584, RCR2684 S/N 1180233-**

Ref	Part No.	Part Description	Comments	Revision
	dwg16610	Drawing Image Number		
	826-151C	PTO CAT. 4 X 20.5 FIXED 540		
1.	1786710	EC TUBE BEARING (OUTER TUBE)		
2.	1215733	EC STIFFENING RING		
3.	1885704	EC LONG CONE		
4.	1215735	EC STOP RING		
5.	1885709	EC SAFETY SLEEVE		
6.	1876030D	EC OUTER TUBE SHIELD		
7.	1885703	EC STANDARD CONE		
8.	1006020	EC CROSS ASSEMBLY		
9.	1706027	EC OUTER TUBE YOKE		
10.	6331080	EC 10X80-DIN-1481 O/TUBE R/PIN		
11.	1528040D	EC OUTER TUBE		
12.	818-540C	DECAL DANGER GUARD MISS PTO		
13.	818-552C	DECAL DANGER PTO DRIVELINE		
14.	044321	DRIVELINE SHIELD SAFETY CHAIN	S/N 928934-	
15.	6560508	EC GREASE ZERK 8X1 45 DEG.		
16.	1016012	YOKE ASSEMBLY PULL TYPE		
17.	1004225	EC PULL COLLAR KIT		
18.	826-578C	SHIELD KIT, 826-151C		

Driveline Fixed Shaft (826-151C) EC Old Shielding

Applies to RCR2584, RCR2684 S/N 1180233-



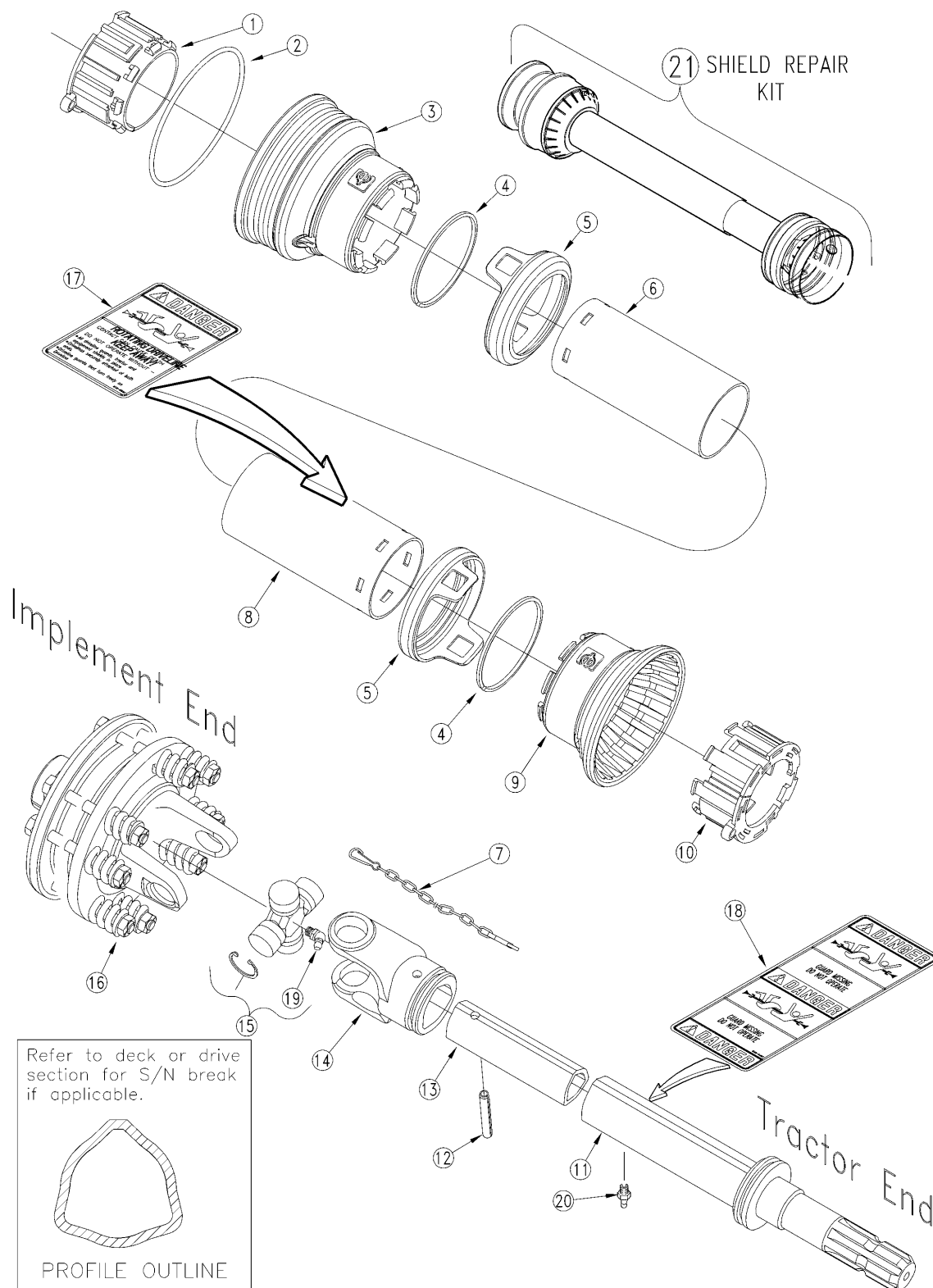
14368

Driveline Fixed Shaft (826-151C) EC Old Shielding**Applies to RCR2584, RCR2684 S/N 1180233-**

Ref	Part No.	Part Description	Comments	Revision
	dwg14368	Drawing Image Number		
	826-151C	PTO CAT. 4 X 20.5 FIXED 540		
1.	1016010	EC YOKE ASSEMBLY (TRACT. END)	Twist Type	
1.	1016012	YOKE ASSEMBLY PULL TYPE		
2.	1004220	EC TWIST COLLAR KIT (TRT. END)		
2.	1004225	EC PULL COLLAR KIT		
3.	1006020	EC CROSS ASSEMBLY		Rev. 2
3.	1006017	RPBY 1006020		Rev 1; Use up stock
4.	1706027	EC OUTER TUBE YOKE		
5.	6331080	EC 10X80-DIN-1481 O/TUBE R/PIN		
6.	818-540C	DECAL DANGER GUARD MISS PTO		
7.	1528303	EC TUBE FIXED SHAFT		Rev. 2
7.	1546040	RPBY 1528323		Rev 1; Use up stock
8.	818-552C	DECAL DANGER PTO DRIVELINE		
9.	1786009	EC TUBE BEARING		
10.	1886010	EC OUTER TUBE RIGID CONE		Rev. 2
10.	1786010	EC OUTER TUBE RIGID CONE		Rev 1; Use up stock
11.	1875027	EC OUTER TUBE (1875066) 270MM		Rev. 2
11.	1786028	RPBY 1875027		Rev 1; Use up stock
12.	1886014	EC SOFT LONG CONE		Rev. 2
12.	1886013	EC SOFT CONE		Rev 1; Use up stock
13.	1874027	EC INNER TUBE (1874066) 270MM		Rev. 2
13.	1776028	RPBY 1874027		Rev 1; Use up stock
14.	1786011	EC INNER TUBE RIGID CONE		
15.	044321	DRIVELINE SHIELD SAFETY CHAIN	S/N 928934-	
16.	1116010	EC YOKE ASSY 1 3/8-6(IMP. END)	Twist Type	
16.	1016012	YOKE ASSEMBLY PULL TYPE		
17.	1004224	EC TWIST COLLAR KIT (IMP. END)		
17.	1004225	EC PULL COLLAR KIT		
18.	1886013	EC SOFT CONE		
19.	826-578C	SHIELD KIT, 826-151C		

Driveline Jackshaft (826-152C) EC New Shielding

Applies to RCR2584, RCR2684 S/N 1180233-



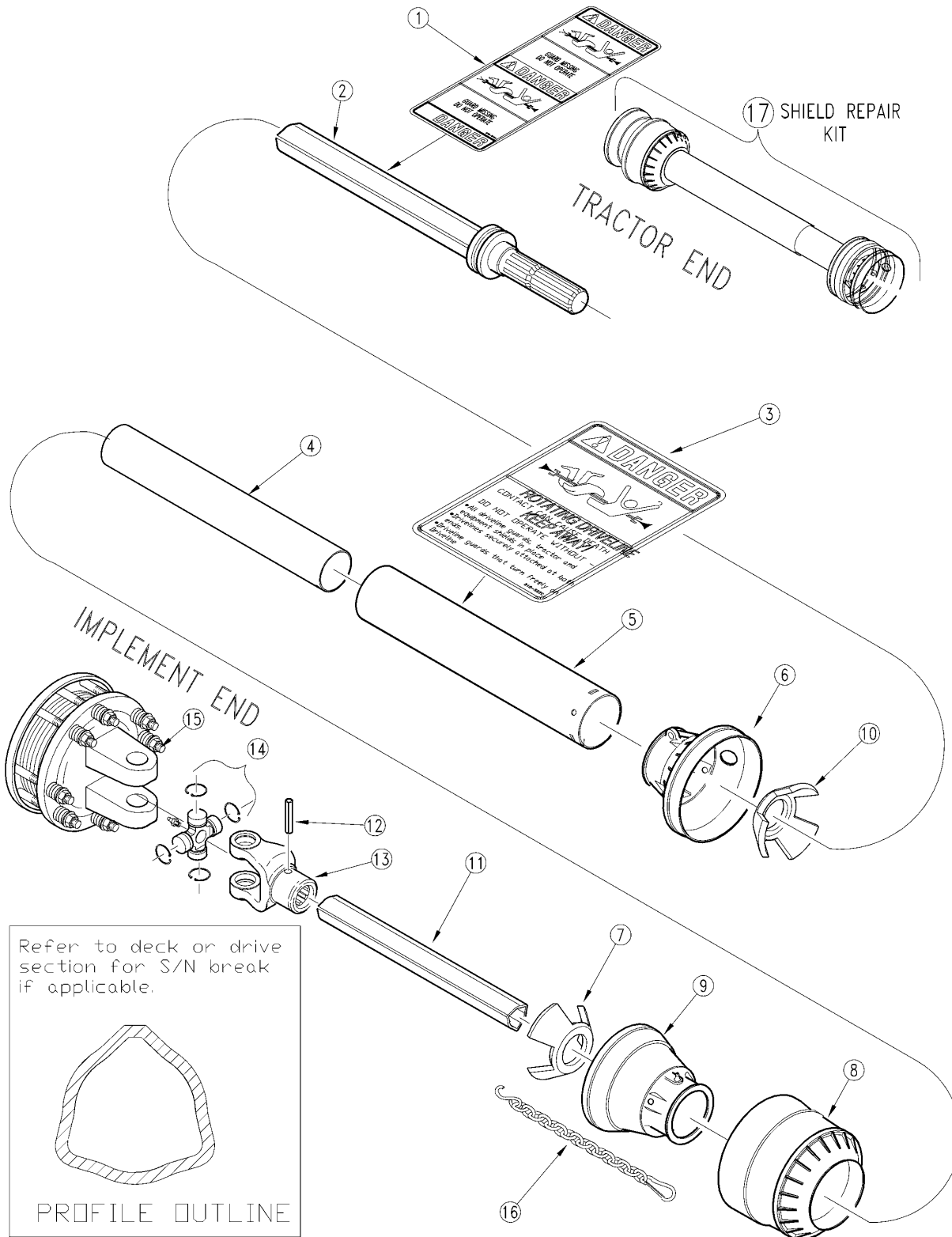
16173

Driveline Jackshaft (826-152C) EC New Shielding**Applies to RCR2584, RCR2684 S/N 1180233-**

Ref	Part No.	Part Description	Comments	Revision
	dwg16173	Drawing Image Number		
	826-152C	PTO CAT. 4 X 49.21 JACKSHAFT		
1.	1786711	EC TUBE BEARING (INNER TUBE)		
2.	1215733	EC STIFFENING RING		
3.	1885702	EC SHORT CONE		
4.	1215735	EC STOP RING		
5.	1885709	EC SAFETY SLEEVE		
6.	1877092	EC INNER TUBE SHIELD 920MM		
7.	044321	DRIVELINE SHIELD SAFETY CHAIN	S/N 928934-	
8.	1876092	EC OUTER TUBE SHIELD 920MM		
9.	1885705	EC EXTRA SHORT CONE (FOR MX)		
10.	1786710	EC TUBE BEARING (OUTER TUBE)		
11.	1896097N327	EC OUTER TUBE ASSY		
12.	6331070	EC 10X70 ROLL PIN		
13.	1526098	EC INNER TUBE 980MM		
14.	1706029	EC INNER TUBE YOKE		
15.	1006020	EC CROSS ASSEMBLY		
16.	1466030	TORQUE LIMITER 4 FRICTION DISK		
17.	818-552C	DECAL DANGER PTO DRIVELINE		
18.	818-540C	DECAL DANGER GUARD MISS PTO		
19.	6560508	EC GREASE ZERK 8X1 45 DEG.		
20.	6561306	EC GREASE ZERK M6X1 EXTRA SHRT		
21.	826-579C	SHIELD KIT, 826-152C		

Driveline Jackshaft (826-152C) EC Old Shielding

Applies to RCR2584, RCR2684 S/N 1180233-



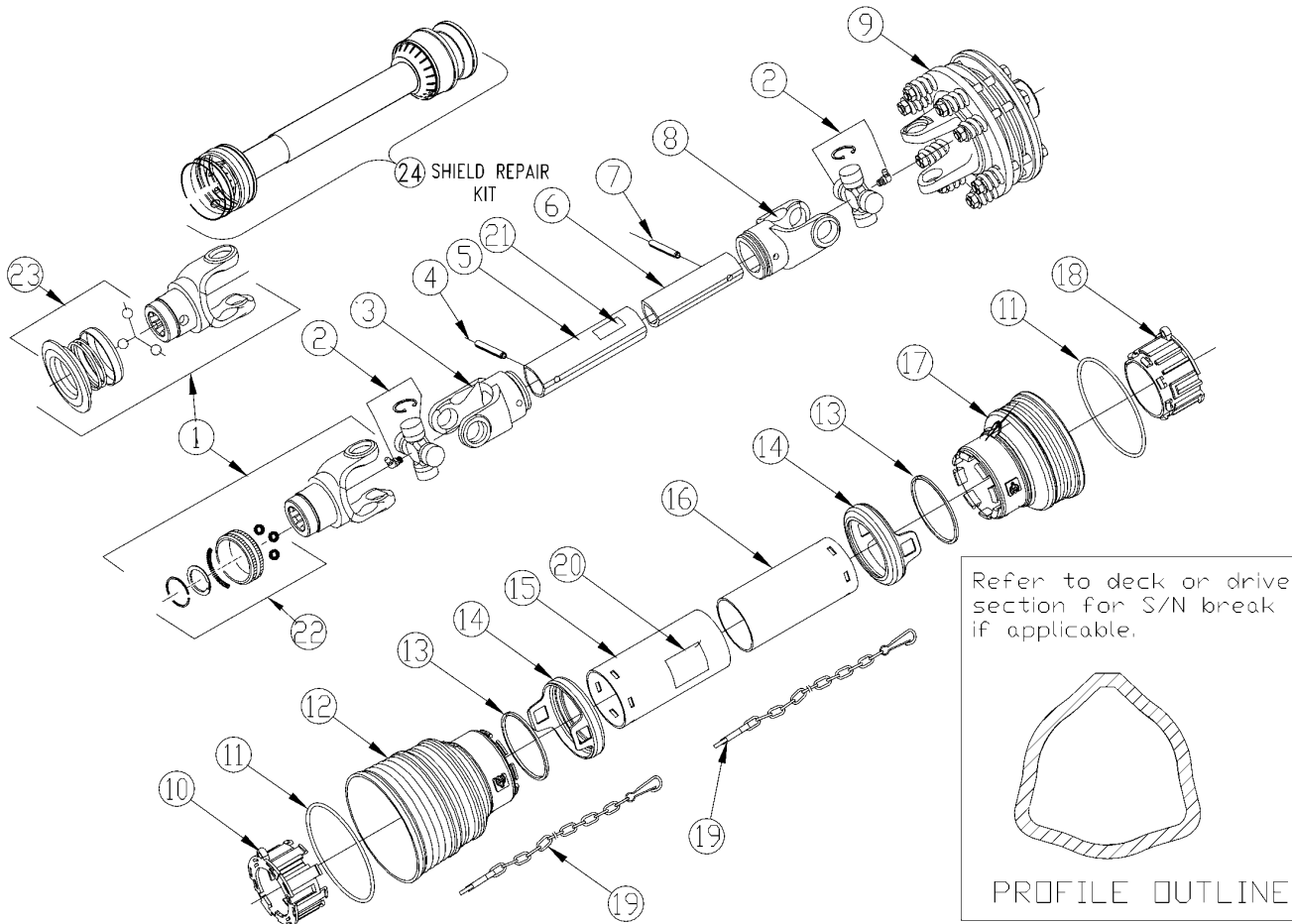
14369

Driveline Jackshaft (826-152C) EC Old Shielding**Applies to RCR2584, RCR2684 S/N 1180233-**

Ref	Part No.	Part Description	Comments	Revision
	Dwg 14369	Drawing Image Number		
	826-152C	PTO CAT. 4 X 49.21 JACKSHAFT		
1.	818-540C	DECAL DANGER GUARD MISS PTO		
2.	1896099	EC INNER TUBE ASSY		
3.	818-552C	DECAL DANGER PTO DRIVELINE		
4.	1874094	EC INNER TUBE (1874113) 940MM		
5.	1875094	RPBY 826-579C		
6.	1886321	EC OUTER TUBE RIGID CONE		
7.	1786009	EC TUBE BEARING		
8.	1886012	EC SOFT CONE		
9.	1886011	EC INNER TUBE RIGID CONE		
10.	1786008	EC TUBE BEARING (OLD STYLE)		
11.	1528101	EC OUTER TUBE (1528084) 1010MM		
12.	6331080	EC 10X80-DIN-1481 O/TUBE R/PIN		
13.	1706027	EC OUTER TUBE YOKE		
14.	1006020	EC CROSS ASSEMBLY		
15.	1466030	TORQUE LIMITER 4 FRICTION DISK		
16.	044321	DRIVELINE SHIELD SAFETY CHAIN	S/N 928934-	
17.	826-579C	SHIELD KIT, 826-152C		

Driveline Lift Type Cutter (826-150C) EC New Shielding

Applies to RCR2584, RCR2684 S/N 1180233-

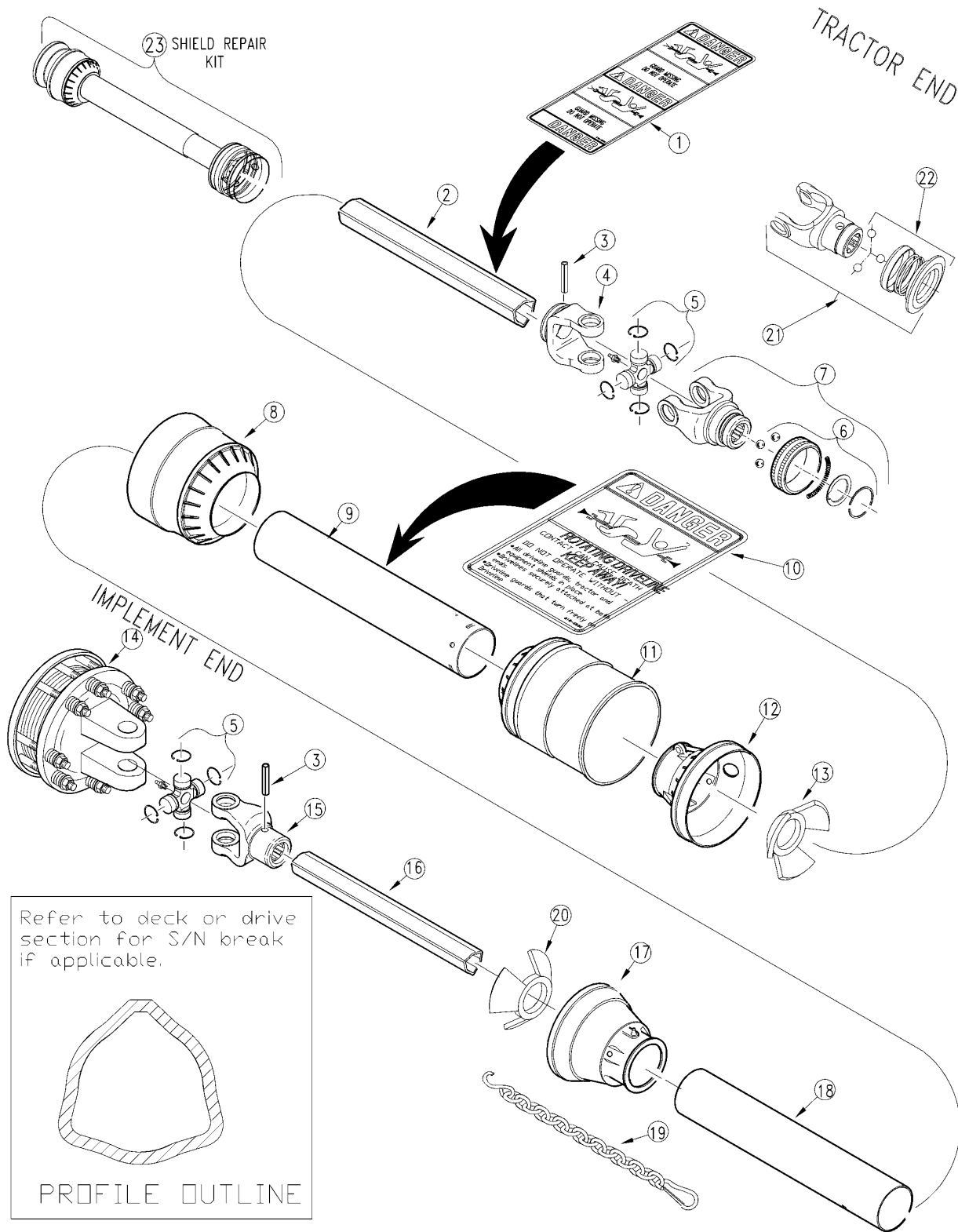


Driveline Lift Type Cutter (826-150C) EC New Shielding**Applies to RCR2584, RCR2684 S/N 1180233-**

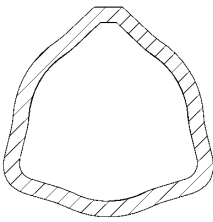
Ref	Part No.	Part Description	Comments	Revision
	Dwg21426 826-150C	Drawing Image Number RPBY 826-673C *	Obsolete	
1.	1016012	YOKE ASSEMBLY PULL TYPE	Pull Collar	
1.	1016010	EC YOKE ASSEMBLY (TRACT. END)	Twist Collar	
2.	1006020	EC CROSS ASSEMBLY		
3.	1706027	EC OUTER TUBE YOKE		Rev. 2
4.	6331080	EC 10X80-DIN-1481 O/TUBE R/PIN		
5.	1528094	EC OUTER TUBE (1528106) 940MM		
6.	1526094	EC INNER TUBE (1526121) 940MM		
7.	6331070	EC 10X70 ROLL PIN		Rev. 2
8.	1706029	EC INNER TUBE YOKE		
9.	1466030	TORQUE LIMITER 4 FRICTION DISK		
10.	1786710	EC TUBE BEARING (OUTER TUBE)		
11.	1215733	EC STIFFENING RING		
12.	1885703	EC STANDARD CONE		
13.	1215735	EC STOP RING		
14.	1885709	EC SAFETY SLEEVE		
15.	1876084	EC OUTER TUBE (1876094) 840MM		
16.	1877084	EC INNER TUBE (1877094) 840MM		
17.	1885702	EC SHORT CONE		
18.	1786711	EC TUBE BEARING (INNER TUBE)		
19.	044321	DRIVELINE SHIELD SAFETY CHAIN	S/N 928934-	
20.	818-552C	DECAL DANGER PTO DRIVELINE		
21.	818-540C	DECAL DANGER GUARD MISS PTO		
22.	1004220	EC TWIST COLLAR KIT (TRT. END)		
23.	1004225	EC PULL COLLAR KIT		
24.	826-576C	SHIELD KIT, 826-150C		

Driveline Lift Type Cutter (826-150C) EC Old Shielding

Applies to RCR2584, RCR2684 S/N 1180233-



Refer to deck or drive section for S/N break if applicable.



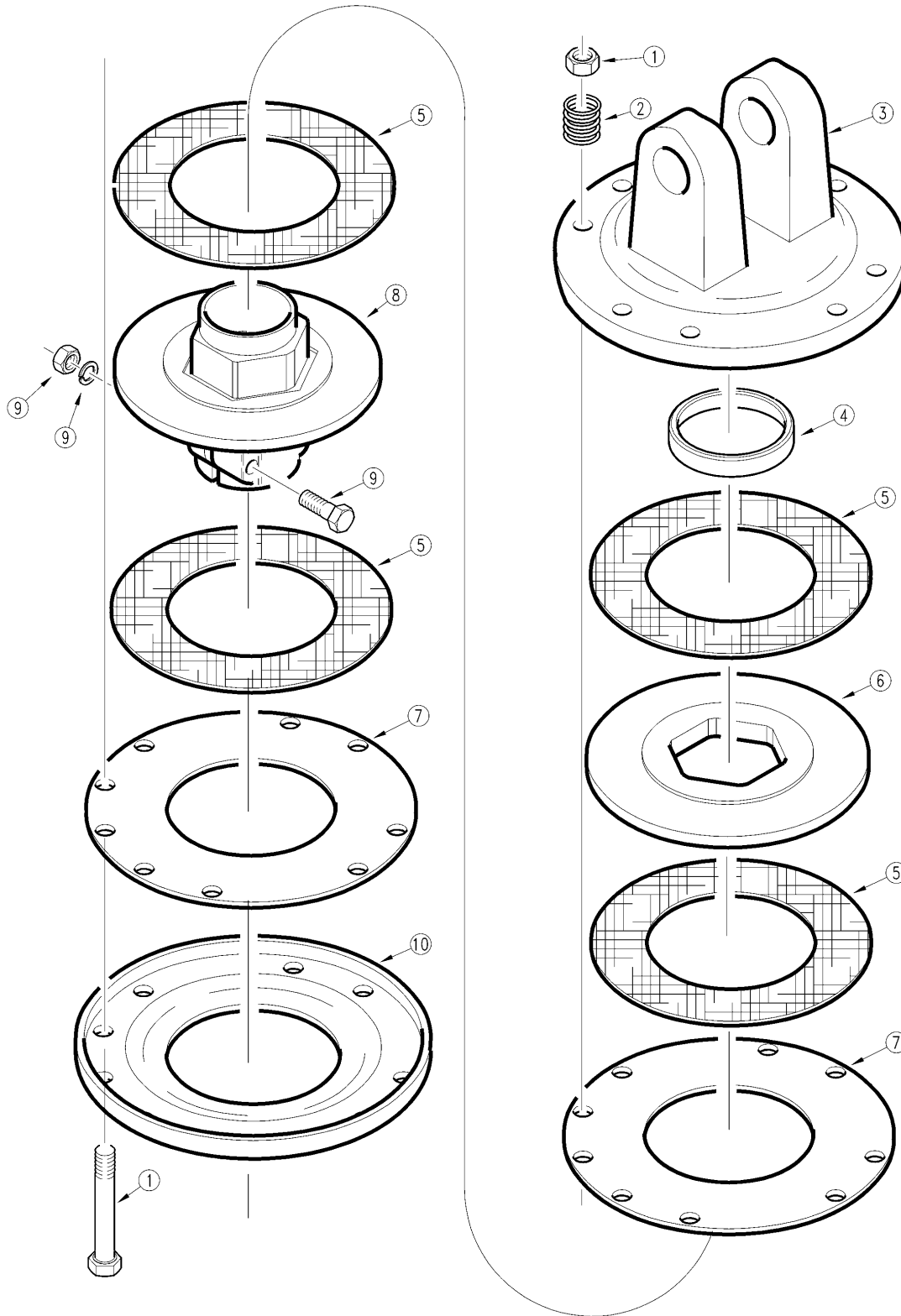
PROFILE OUTLINE

Driveline Lift Type Cutter (826-150C) EC Old Shielding**Applies to RCR2584, RCR2684 S/N 1180233-**

Ref	Part No.	Part Description	Comments	Revision
	Dwg 14367 826-150C	Drawing Image Number RPBY 826-673C *	Obsolete	
1.	818-540C	DECAL DANGER GUARD MISS PTO		
2.	1528094	EC OUTER TUBE		
3.	6331080	EC 10X80-DIN-1481 O/TUBE R/PIN		
4.	1706027	EC OUTER TUBE YOKE		
5.	1006020	EC CROSS ASSEMBLY		
6.	1004220	EC TWIST COLLAR (TRACT. END)		
6.	1004225	EC PULL COLLAR KIT		
7.	1016010	EC YOKE ASSEMBLY (TRACT. END)	Twist Type	
7.	1016012	YOKE ASSEMBLY PULL TYPE		
8.	1886012	EC SOFT CONE		
9.	1875086	RPBY 826-576C		
10.	818-552C	DECAL DANGER PTO DRIVELINE		
11.	1886013	EC SOFT CONE		
12.	1886010	EC OUTER TUBE RIGID CONE		
13.	1786009	EC TUBE BEARING (OLD STYLE)		
14.	1466030	TORQUE LIMITER 4 FRICTION DISK		
15.	1706029	EC INNER TUBE YOKE		
16.	1526094	EC INNER TUBE		
17.	1886011	EC INNER TUBE RIGID CONE		
18.	1874086	EC INNER TUBE SHIELD		
19.	044321	WALTERSCHEID SAFETY CHAIN	S/N 928934-	
20.	1786008	EC TUBE BEARING (OLD STYLE)		
21.	1016012	YOKE ASSEMBLY PULL TYPE		
22.	1004227	EC PULL COLLAR KIT EVOLUTION		
23.	826-576C	SHIELD KIT, 826-150C		

Driveline Slip Clutch (1466030)

Applies to RCR2560, RCR2572



13692

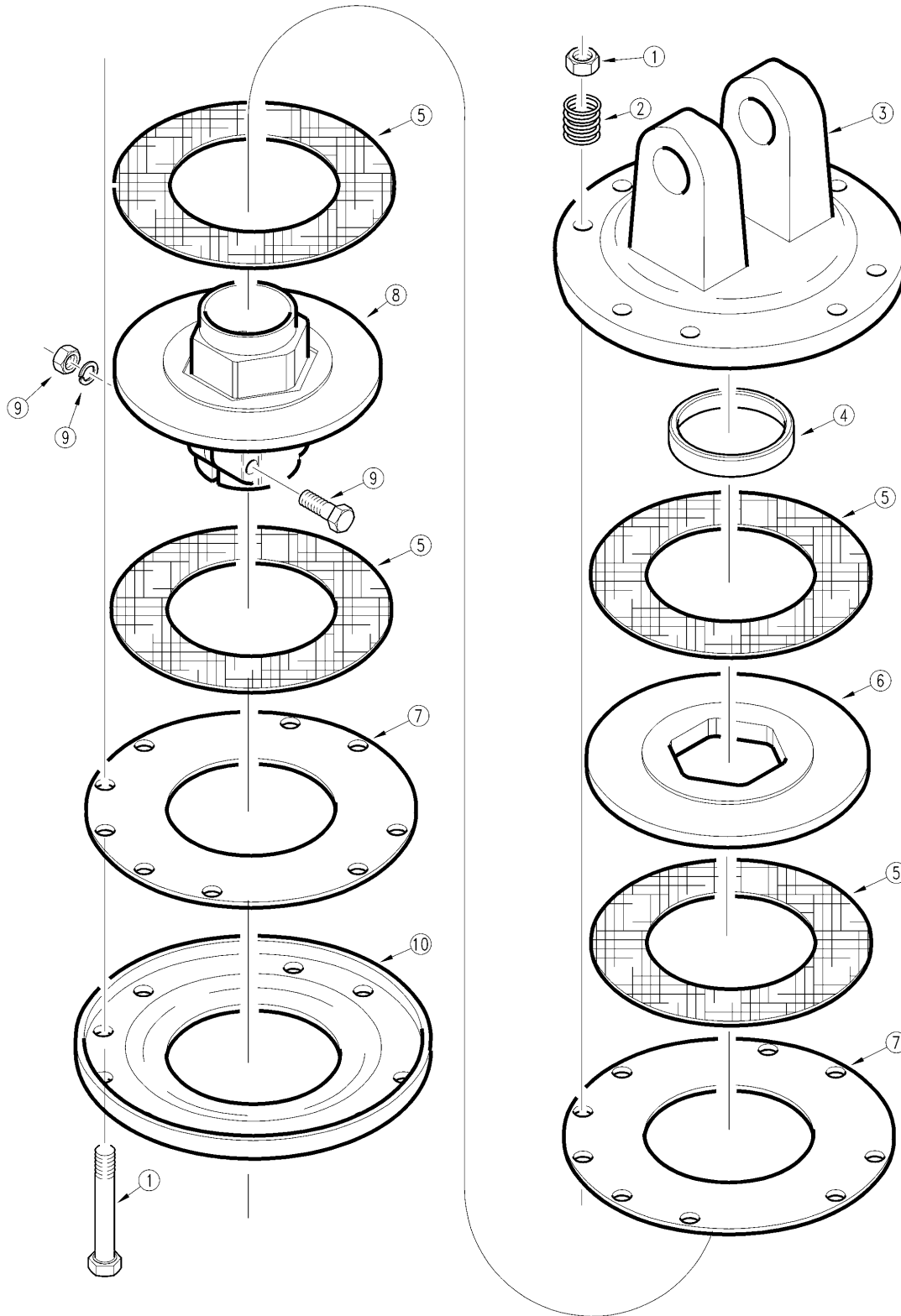
Driveline Slip Clutch (1466030)

Applies to RCR2560, RCR2572

Ref	Part No.	Part Description	Comments	Revision
	dwg13692	Drawing Image Number		
	1466030	TORQUE LIMITER 4 FRICTION DISK		
1.	1421010	EC COMPLETE BOLT M10X100(HUB)		
2.	1215012	EC CLUTCH SPRING		
3.	1706033	EC CLUTCH YOKE W/FLANGE		
4.	1705009	EC CLUTCH BUSHING		
5.	1808010	EC CLUTCH LINING RING		
6.	1708034	EC CLUTCH MIDDLE DISK		
7.	1138008	EC INNER DISK		
8.	1708018	EC CLUTCH HUB W/FLANGE		
9.	1341270	EC COMPL. CONN. BOLT M12X70		
10.	1138007	EC PRESSURE DISK		

Driveline Slip Clutch (1466030)

Applies to RCR2584, RCR2684 S/N 1180233-



13692

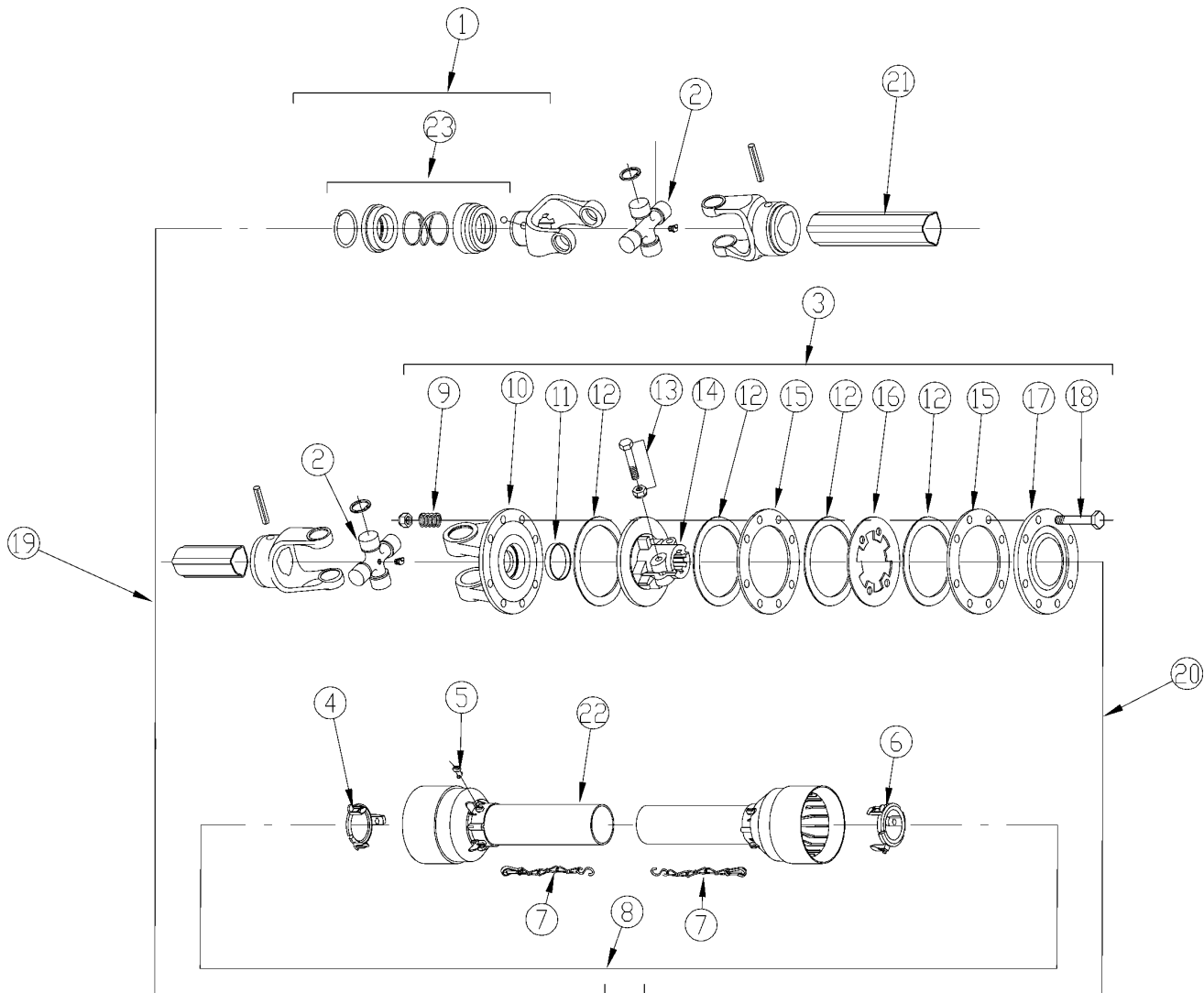
Driveline Slip Clutch (1466030)

Applies to RCR2584, RCR2684 S/N 1180233-

Ref	Part No.	Part Description	Comments	Revision
	dwg13692	Drawing Image Number		
	1466030	TORQUE LIMITER 4 FRICTION DISK		
1.	1421010	EC COMPLETE BOLT M10X100(HUB)		
2.	1215012	EC CLUTCH SPRING		
3.	1706033	EC CLUTCH YOKE W/FLANGE		
4.	1705009	EC CLUTCH BUSHING		
5.	1808010	EC CLUTCH LINING RING		
6.	1708034	EC CLUTCH MIDDLE DISK		
7.	1138008	EC INNER DISK		
8.	1708018	EC CLUTCH HUB W/FLANGE		
9.	1341270	EC COMPL. CONN. BOLT M12X70		
10.	1138007	EC PRESSURE DISK		

Driveline W/ Slip Clutch (826-673C)

Applies to RCR2684 S/N 1180233-

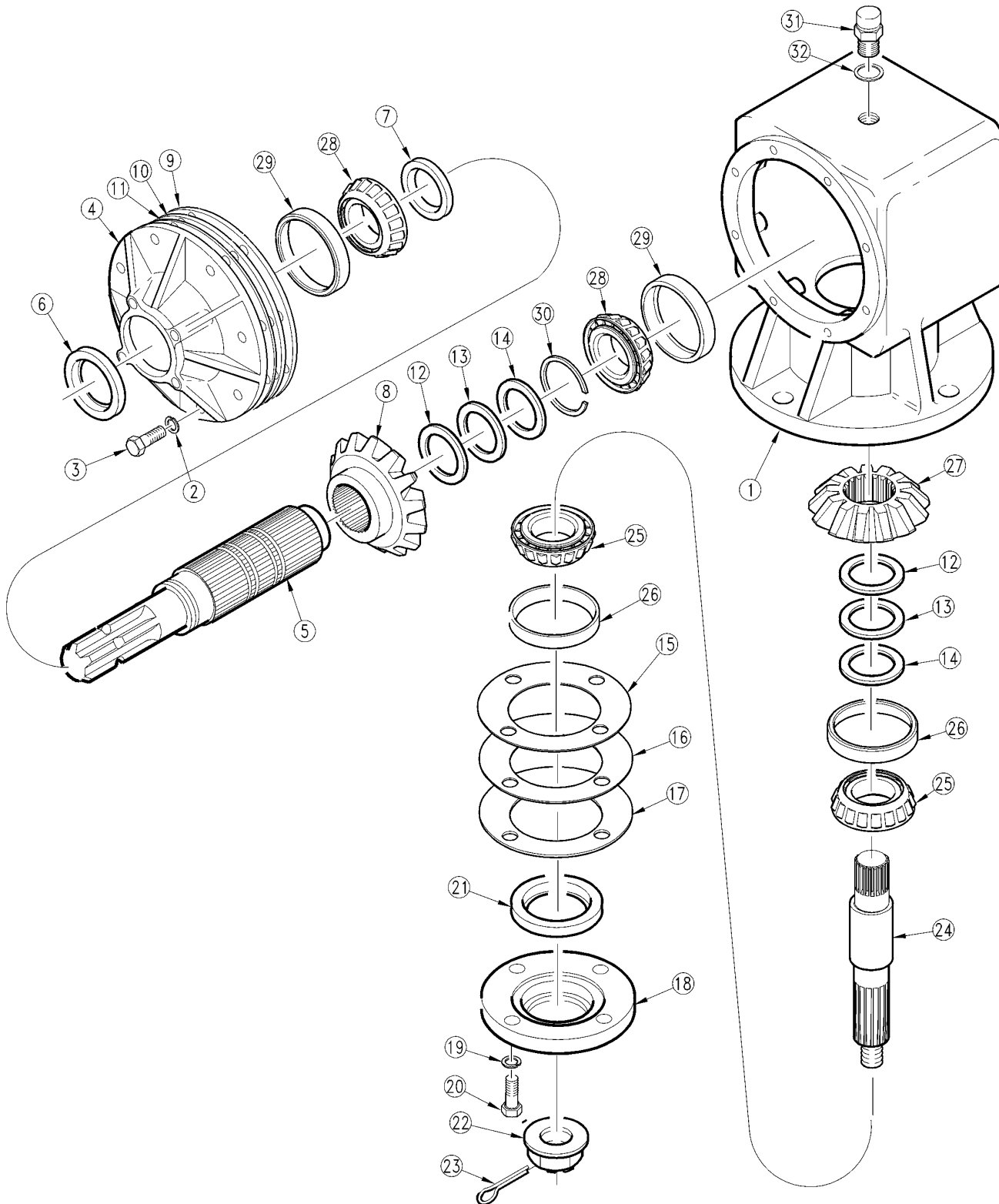


Driveline W/ Slip Clutch (826-673C)**Applies to RCR2684 S/N 1180233-**

Ref	Part No.	Part Description	Comments	Revision
	Dwg 30694 826-673C	Drawing Image Number DRVLN C4 44 1.38-6 QD CLTCH *		
1.	141.025.363.1	CO COMPLETE COLLAR YOKE C12		
2.	180.015.130	COMER CROSS JOURNAL SET		
3.	146.254.015.1	CO DISC CLUTCH F42 (11350 NM)		
4.	8180.015.288	CO GUARD RETAIN COLLAR OUT TB		
5.	8180.014.240	COMER BOLT		
6.	8180.015.289	CO GUARD RETAIN COLLAR INNR TB		
7.	044321	DRIVELINE SHIELD SAFETY CHAIN	S/N 928934-	
8.	142.250.3657521	COMPLETE GUARD W/INSTRUC		
9.	180.014.022	COMER SPRING		
10.	151.015.038.1	CO FLANGED YOKE		
11.	180.019.019	COMER BUSH		
12.	180.019.340	COMER LINING RING		
13.	165.000.502	COMER NUT & BOLT M12X1.25X65		
14.	151.019.011.1	CO CLUTCH SUPPORT F42		
15.	180.019.014	COMER INNER PLATE		
16.	180.019.115	COMER INTERMEDIATE PLATE		
17.	180.019.116.1	COMER PRESSURE PLATE		
18.	165.000.548	COMER BOLT WITH NUT M10X100		
19.	8123.350.097.11	CO HALF FEMALE SHFT W/GUARD		
20.	8123.450.295.11	CO HALF MALE SHAFT W/GUARD		
21.	190.000.098	COMER DANGER LABEL OUTER TUBE		
22.	190.000.099	COMER DANGER LABEL GUARD OUTER		
23.	165.000.628	COMER COLLOR KIT 1-3/8 YOKE		

Gearbox (826-035C) ITG (S/N 160730 to 191029)

Applies to RCR2560, RCR2572



15090

Gearbox (826-035C) ITG (S/N 160730 to 191029)**Applies to RCR2560, RCR2572**

Ref	Part No.	Part Description	Comments	Revision
	dwg15090	Drawing Image Number		
	826-035C	GEARBOX RC71SS 1:1.46 INCREASE		
1.	18-027	ITG HOUSING		
2.	07-001	ITG M10 LOCKWASHER		
3.	06-017	ITG HEX HEAD CAP SCREW		
4.	20-026	ITG INPUT CAP		
5.	02-054	ITG INPUT SHAFT		
6.	05-014	ITG INPUT OIL SEAL		
7.	10-027	ITG SPACER		
8.	03-060	ITG 19 TOOTH GEAR		
9.	08-006	ITG INPUT CAP GASKET 0.10MM		
10.	08-007	ITG INPUT CAP GASKET 0.25MM		
11.	08-006	ITG INPUT CAP GASKET 0.10MM		
12.	17-001	ITG SHIM 0.4		
13.	17-002	ITG SHIM 0.3		
14.	17-003	ITG SHIM 0.5		
15.	08-001	ITG OUTPUT CAP GASKET 0.10MM		
16.	08-002	ITG OUTPUT CAP GASKET 0.25MM		
17.	08-003	ITG OUTPUT CAP GASKET 0.45MM		
18.	20-025	ITG OUTPUT CAP		
19.	07-010	ITG LOCKWASHER		
20.	06-018	ITG HEX HEAD CAP SCREW		
21.	05-003	ITG OUTPUT OIL SEAL		
22.	11-008	ITG 1-14 FLANGED HEX NUT		
23.	12-003	ITG COTTER PIN		
24.	02-053	ITG OUTPUT SHAFT		
25.	04-010	ITG BEARING CONE		
26.	04-009	ITG BEARING CUP		
27.	03-061	ITG 13 TOOTH GEAR		
28.	04-007	ITG BEARING CONE		
29.	04-008	BEARING CUP		
30.	21-001	ITG RETAINING RING		
31.	09-011	ITG M18 X 1.5P PLUG VENTED		
32.	07-022	ITG SEALING WASHER		

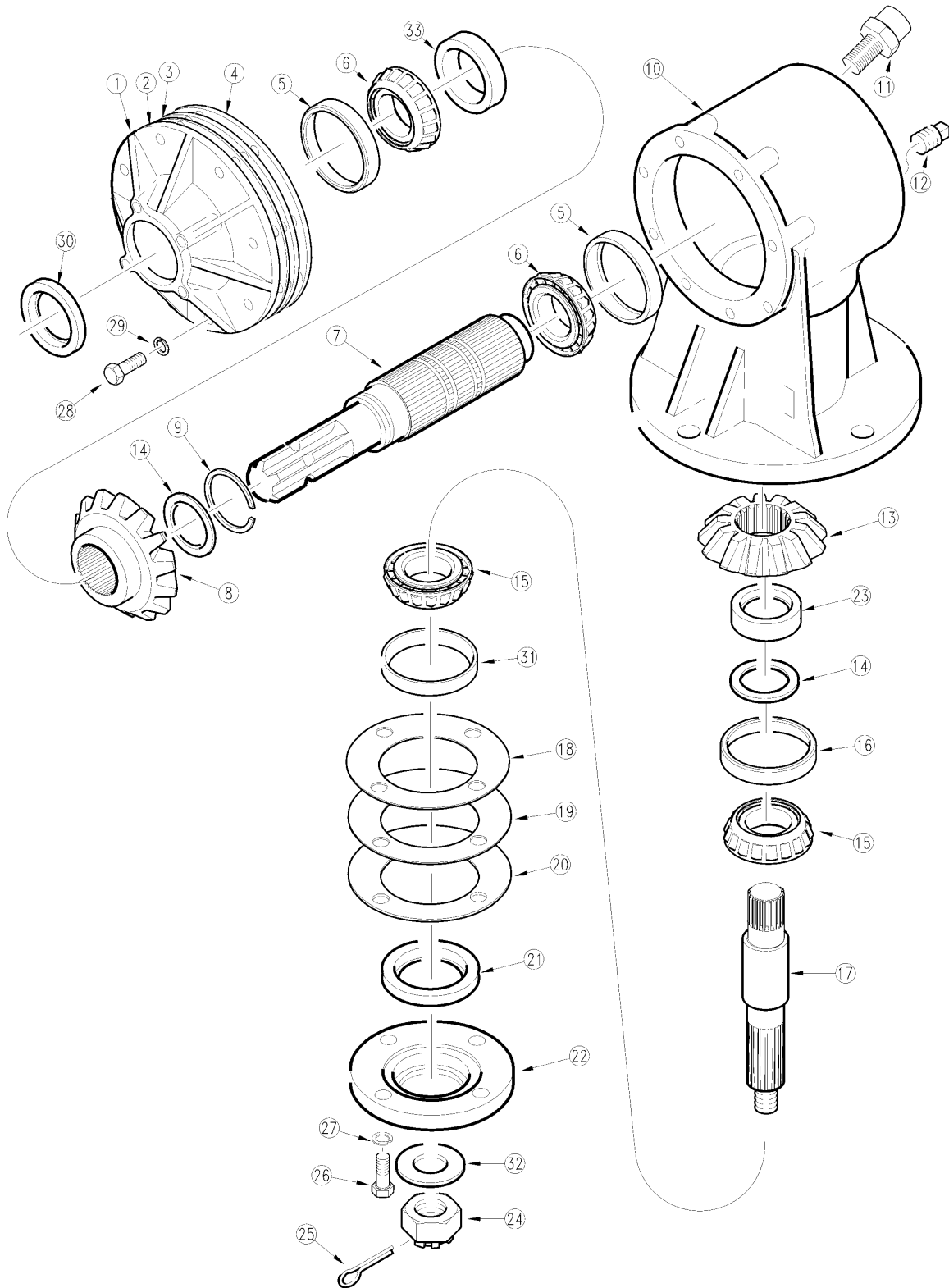
*

IMPORTANT NOTE:

When ordering gearbox parts, be sure to have the I.D. tag number off the gearbox and the serial number off of the cutter. This is Important in knowing which gearbox your cutter has.

Gearbox (826-035C) OMNI (S/N 160729-)

Applies to RCR2560, RCR2572



14120

Gearbox (826-035C) OMNI (S/N 160729-)**Applies to RCR2560, RCR2572**

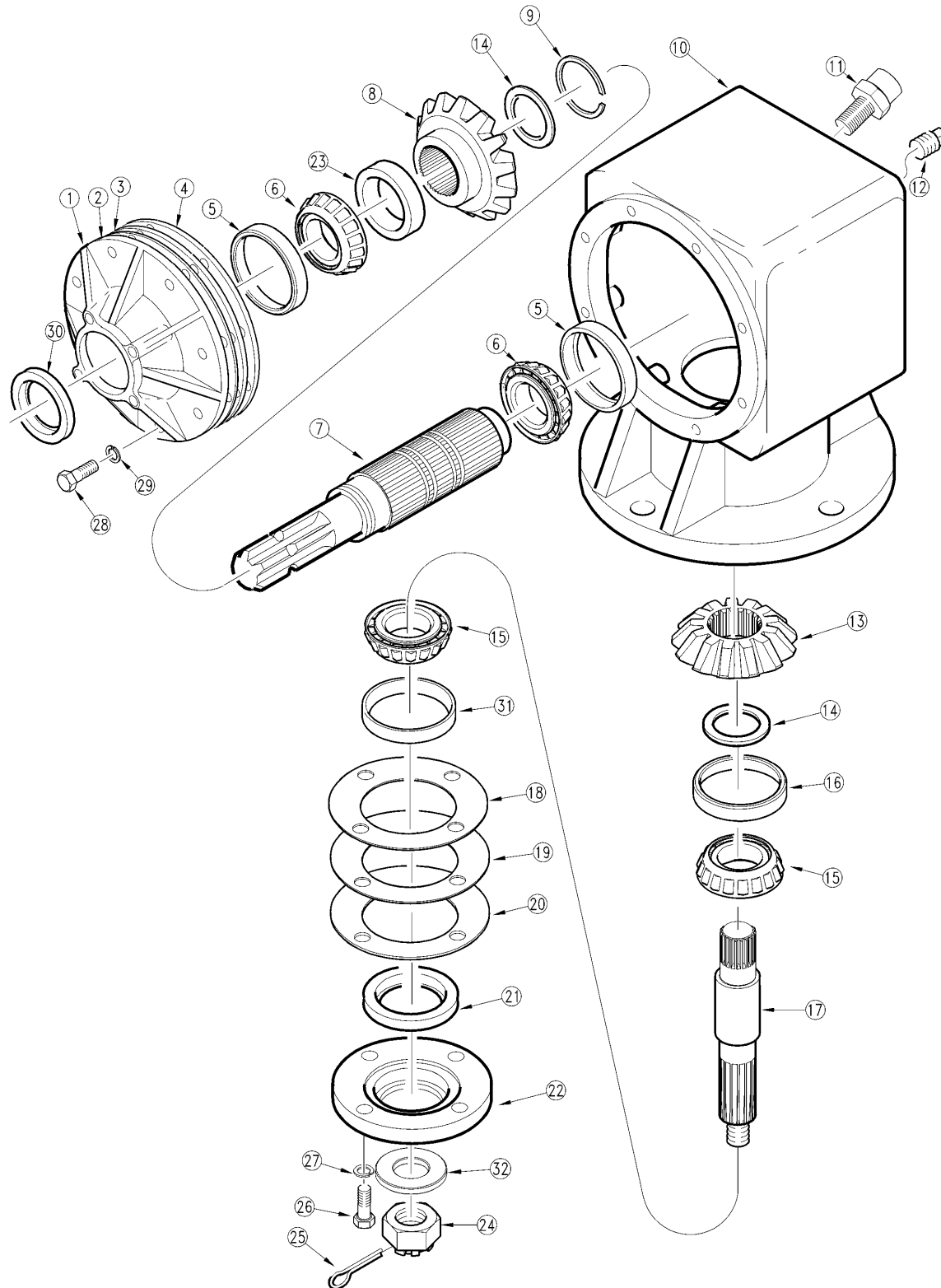
Ref	Part No.	Part Description	Comments	Revision
	dwg14120	Drawing Image Number		
	826-035C	GEARBOX RC71SS 1:1.46 INCREASE		
1.	020162	OMNI INPUT CAP		
2.	070142	OMNI GASKET 0.10MM		
3.	070141	OMNI GASKET 0.15MM		
4.	070140	OMNI GASKET 0.30MM		
5.	050013	OMNI BEARING CUP - LM 603014		
6.	050012	OMNI BEARING CONE -LM603049		
7.	040135	OMNI INPUT SHAFT		
8.	030040	INPUT GEAR - 17 T., OMNI		
9.	200003	OMNI RETAINING RING		
10.	010112	OMNI HOUSING		
11.	140033	OMNI PLUG VENT 1/2"		
12.	140017	OMNI PLUG PIPE SQ HEAD 1/8"		
13.	030041	OUTPUT PINION - 14 T., OMNI		
14.	090073	OMNI SHIM .25		
15.	050008	OMNI BEARING CONE - 368		
16.	050014	BEARING CUP - 362A, OMNI	(S/N 107994+)	Rev. 2 not compat. w/Rev. 1
16.	050015	BEARING CUP - 362, OMNI	(S/N 107993-)	Rev. 1
17.	040112	OUTPUT SHAFT, OMNI		
18.	070145	OMNI GASKET 0.10MM		
19.	070144	OMNI GASKET 0.15MM		
20.	070143	OMNI GASKET 0.30MM		
21.	060004	OMNI OUTPUT SEAL		
22.	020005	OMNI OUTPUT CAP		
23.	090055	SPACER, OMNI		
24.	803-095C	NUT HEX SLOTTED 1-14		
25.	805-017C	PIN COTTER 3/16 X 1 3/4 PLT		
26.	802-091C	HHCS 1/2-13X1 1/2 GR5		
27.	804-015C	WASHER LOCK SPRING 1/2 PLT		
28.	802-079C	HHCS 3/8-16X1 1/4 GR5		
29.	804-013C	WASHER LOCK SPRING 3/8 PLT		
30.	060005	INPUT SEAL, OMNI		
31.	050015	BEARING CUP - 362, OMNI		
32.	804-070C	FLAT WASHER 1 SPECIAL		
33.	090055	SPACER, OMNI		

IMPORTANT NOTE:**

When ordering gearbox parts, be sure to have the I.D. tag number off the gearbox and the serial number off of the cutter. This is Important in knowing which gearbox your cutter has.

Gearbox (826-035C) OMNI (S/N 191030+)

Applies to RCR2560, RCR2572



26951

Gearbox (826-035C) OMNI (S/N 191030+)**Applies to RCR2560, RCR2572**

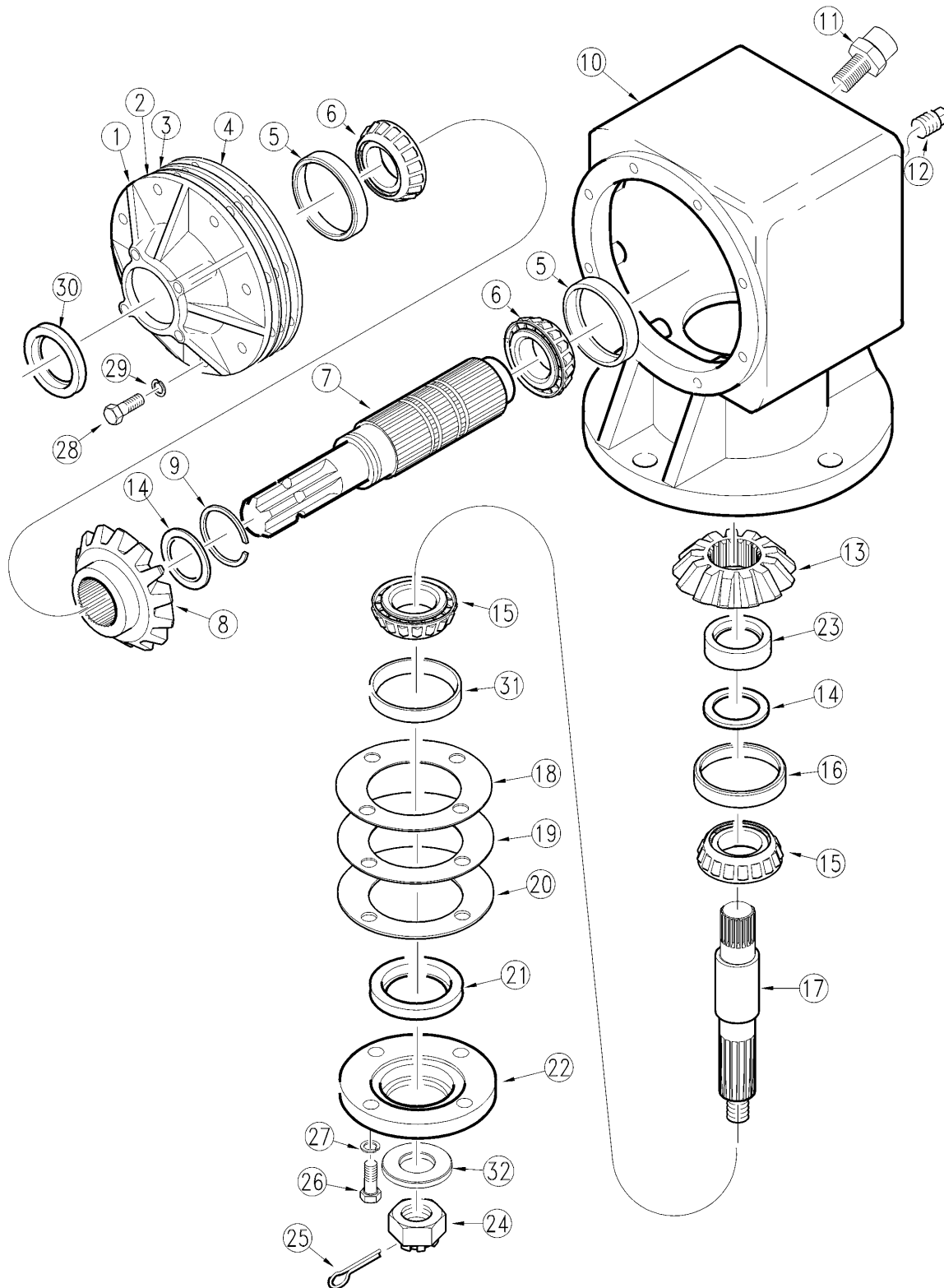
Ref	Part No.	Part Description	Comments	Revision
	dwg26951	Drawing Image Number		
	826-035C	GEARBOX RC71SS 1:1.46 INCREASE		
1.	020162	OMNI INPUT CAP		
2.	070142	OMNI GASKET 0.10MM		
3.	070141	OMNI GASKET 0.15MM		
4.	070140	OMNI GASKET 0.30MM		
5.	050013	OMNI BEARING CUP - LM 603014		
6.	050012	OMNI BEARING CONE -LM603049		
7.	040135	OMNI INPUT SHAFT		
8.	030039	INPUT GEAR - 19 T., OMNI		
9.	200003	OMNI RETAINING RING		
10.	010160	OMNI HOUSING RC71SS	(S/N 191030+) Square Housing	Rev. 2 not compat. w/Rev. 1
10.	010112	OMNI HOUSING	(S/N 191029-) Round Housing	Rev. 1
11.	140033	OMNI PLUG VENT 1/2-14 NPTF		
12.	140017	OMNI PLUG PIPE SQ HD1/8-27NPTF		
13.	030038	OUTPUT PINION - 13 T., OMNI		
14.	090073	OMNI SHIM .25		
15.	050008	OMNI BEARING CONE - 368		
16.	050014	BEARING CUP - 362A, OMNI		
17.	040112	OUTPUT SHAFT, OMNI		
18.	070145	OMNI GASKET 0.10MM		
19.	070144	OMNI GASKET 0.15MM		
20.	070143	OMNI GASKET 0.30MM		
21.	060004	OMNI OUTPUT SEAL		
22.	020005	OMNI OUTPUT CAP		
23.	090055	SPACER, OMNI		
24.	803-095C	NUT HEX SLOTTED 1-14		
25.	805-017C	PIN COTTER 3/16 X 1 3/4 PLT		
26.	802-091C	HHCS 1/2-13X1 1/2 GR5		
27.	804-015C	WASHER LOCK SPRING 1/2 PLT		
28.	802-079C	HHCS 3/8-16X1 1/4 GR5		
29.	804-013C	WASHER LOCK SPRING 3/8 PLT		
30.	060005	INPUT SEAL, OMNI		
31.	050015	BEARING CUP - 362, OMNI		
32.	804-070C	FLAT WASHER 1 SPECIAL		

IMPORTANT NOTE:

When ordering gearbox parts, be sure to have the I.D. tag number off the gearbox and the serial number off of the cutter. This is Important in knowing which gearbox your cutter has.

Gearbox (826-038C) OMNI

Applies to RCR2584, RCR2684 S/N 1180233-



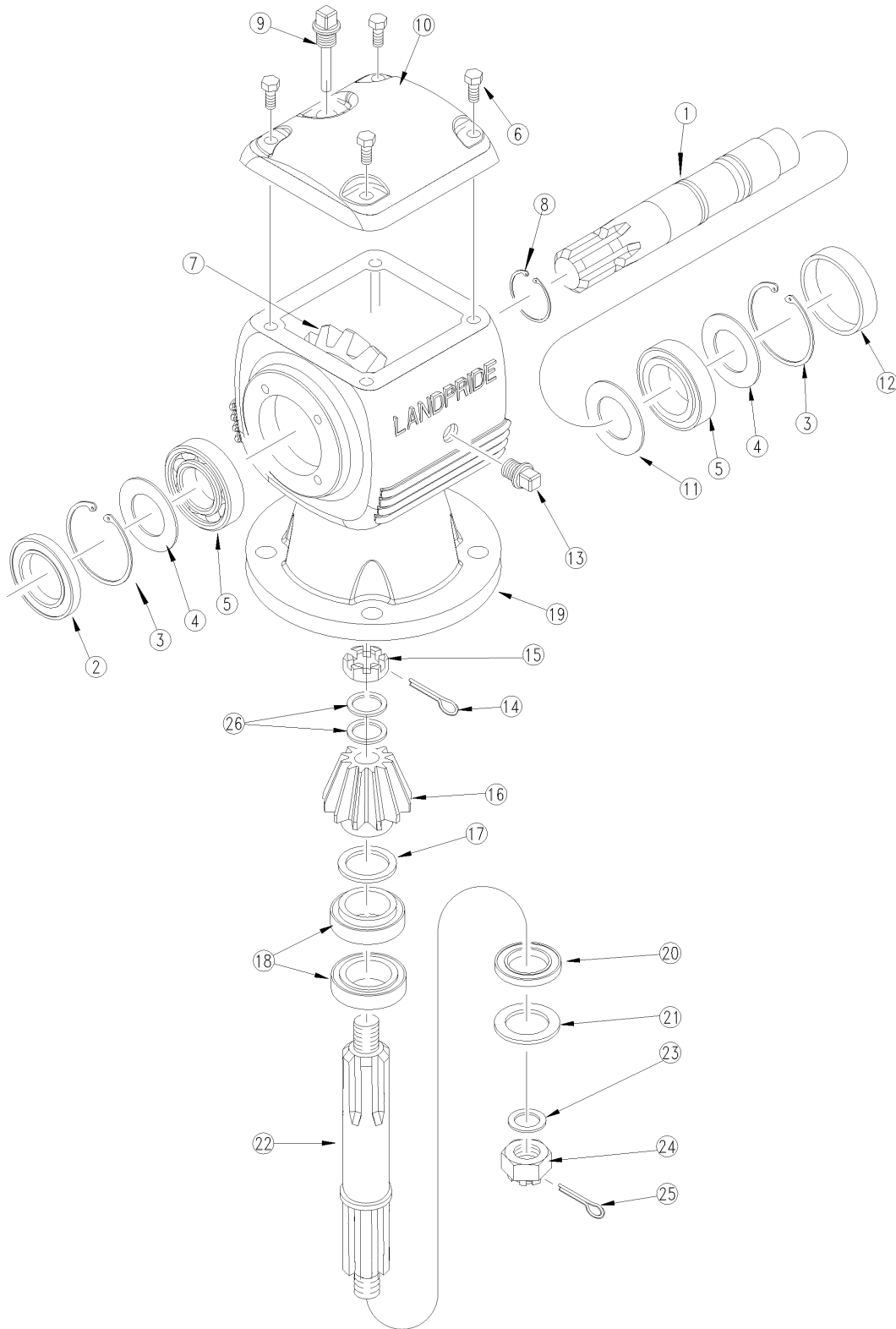
15739

Gearbox (826-038C) OMNI**Applies to RCR2584, RCR2684 S/N 1180233-**

Ref	Part No.	Part Description	Comments	Revision
	dwg15739	Drawing Image Number		
	826-038C	GEARBOX RC71SS 1:1.21 INCREASE		
1.	020162	OMNI INPUT CAP		
2.	070142	OMNI GASKET 0.10MM		
3.	070141	OMNI GASKET 0.15MM		
4.	070140	OMNI GASKET 0.30MM		
5.	050013	OMNI BEARING CUP - LM 603014		
6.	050012	OMNI BEARING CONE -LM603049		
7.	040135	OMNI INPUT SHAFT		
8.	030040	INPUT GEAR - 17 T., OMNI		
9.	200003	OMNI RETAINING RING		
10.	010160	OMNI HOUSING RC71SS	(S/N 191030+) Square Housing	Rev. 2 not compat. w/Rev. 1
10.	010112	OMNI HOUSING	(S/N 191029-) Round Housing	Rev. 1
11.	140033	OMNI PLUG VENT 1/2-14 NPTF		
12.	140017	OMNI PLUG PIPE SQ HD1/8-27NPTF		
13.	030041	OUTPUT PINION - 14 T., OMNI		
14.	090073	OMNI SHIM .25		
15.	050008	OMNI BEARING CONE - 368		
16.	050014	BEARING CUP - 362A, OMNI	(S/N 107994+)	Rev. 2 not compat. w/Rev. 1
16.	050015	BEARING CUP - 362, OMNI	(S/N 107993-)	Rev. 1
17.	040112	OUTPUT SHAFT, OMNI		
18.	070145	OMNI GASKET 0.10MM		
19.	070144	OMNI GASKET 0.15MM		
20.	070143	OMNI GASKET 0.30MM		
21.	060004	OMNI OUTPUT SEAL		
22.	020005	OMNI OUTPUT CAP		
23.	090015	SPACER, OMNI		
24.	803-095C	NUT HEX SLOTTED 1-14		
25.	805-017C	PIN COTTER 3/16 X 1 3/4 PLT		
26.	802-091C	HHCS 1/2-13X1 1/2 GR5		
27.	804-015C	WASHER LOCK SPRING 1/2 PLT		
28.	802-079C	HHCS 3/8-16X1 1/4 GR5		
29.	804-013C	WASHER LOCK SPRING 3/8 PLT		
30.	060005	INPUT SEAL, OMNI		
31.	050015	BEARING CUP - 362, OMNI		
32.	804-070C	FLAT WASHER 1 SPECIAL		

Gearbox (826-377C) Comer

Applies to RCR2584, RCR2684 S/N 1180233-



26957

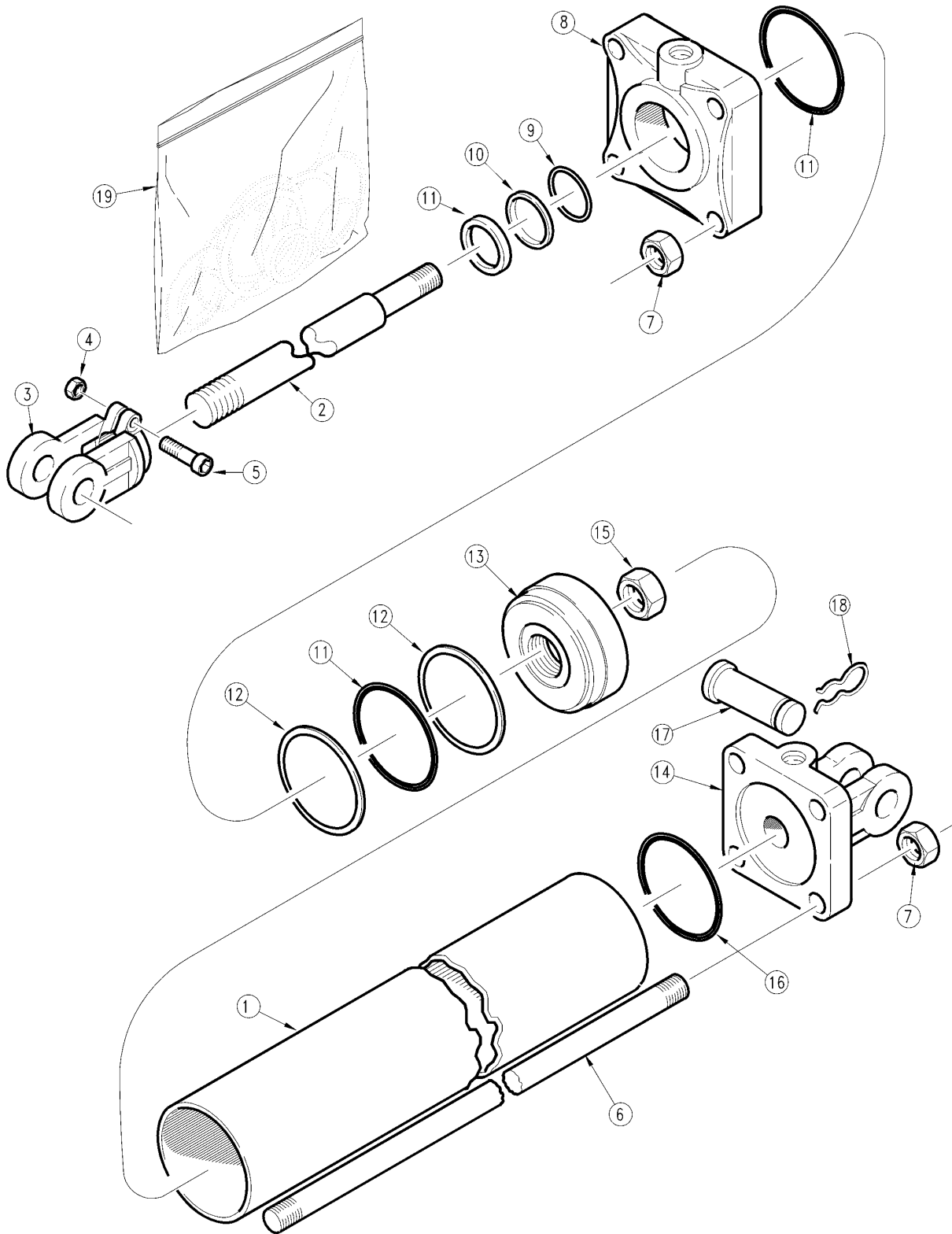
Gearbox (826-377C) Comer**Applies to RCR2584, RCR2684 S/N 1180233-**

Ref	Part No.	Part Description	Comments	Revision
	Dwg 26957 826-377C	Drawing Image Number GBOX RC25 1.38-6 1:1.21 STD. *		
1.	0.210.2000.00	CO INPUT SHAFT 1.38-6		
2.	8.7.3.00331	CO OIL SEAL 45 X 85 X 10		
3.	8.5.2.00332	CO SNAP RING UNI 7437		
4.	0.709.7500.00	CO SHIM 84.7		
5.	8.0.9.00143	CO BEARING 30209 RTA25		
6.	8.1.1.00501	CO BOLT M10X22 HHB		
7.	0.210.6000.00	CO GEAR CROWN Z22 M6		
8.	8.5.1.00533	CO SNAP RING 50 UNI7435		
9.	826-490C	CO 3/8 GAS OIL VENT LEVEL PG.		
10.	0.210.1300.00	CO COVER		
11.	0.252.7525.00	CO SHIM 45.3X2.5		
12.	0.121.7101.00	CO CAP		
13.	8.6.6.00201	CO PLUG 3/8 GAS		
14.	8.4.7.02265	CO COTTER PIN B 5X60		
15.	0.132.7107.00	CO NUT M40X1.5		
16.	0.210.5000.00	CO PINION Z18 M6		
17.	0.712.7500.00	CO SHIM 50.3X70.3		
18.	04-011	ITG BEARING ASSEMBLY		Rev. 2
18.	8.0.9.00469	REP BY 04-011		Rev 1; Use up stock
19.	0.210.0300.00	CO CASTING & MACHINE		
20.	8.7.1.01107	CO SEAL (50x90x10)		
21.	0.139.7100.00	CO SEAL RETAINER		
22.	0.210.3000.00	CO OUTPUT SHAFT		
23.	0.139.7101.00	CO BLANK WASHER		
24.	8.2.2.00555	CO NUT, CASTLE M30 X 2		
25.	8.4.7.00146	CO COTTER PIN B6 X 60		
26.	0.285.7510.00	CO SHIM 40.3 X 61.7 X 1 *		

Notes: Oil Type 80-90W Capacity 6.5 Pints

Hydraulic Cylinder (810-200C) Midway

Applies to RCR2584, RCR2684 S/N 1180233-



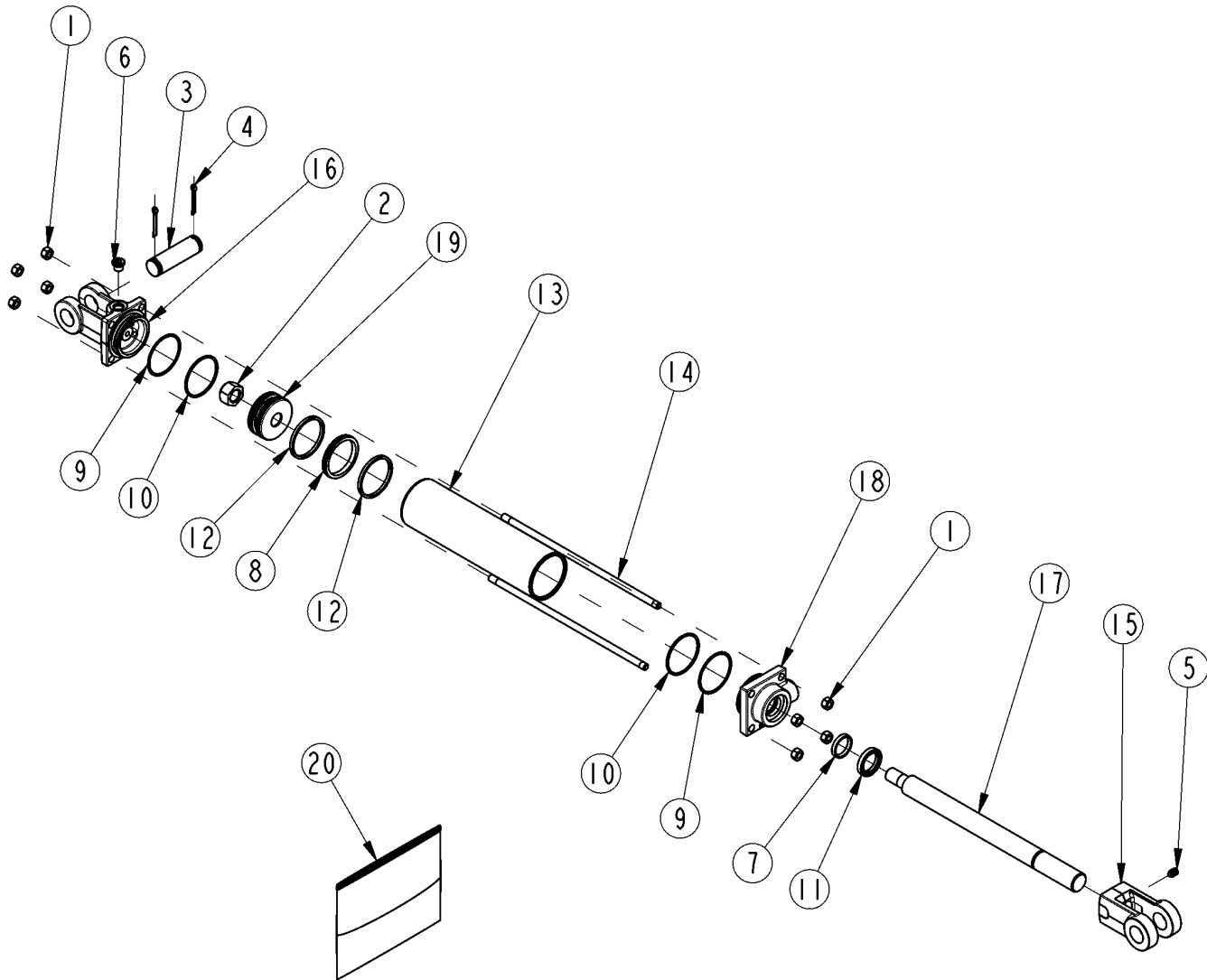
10219

Hydraulic Cylinder (810-200C) Midway**Applies to RCR2584, RCR2684 S/N 1180233-**

Ref	Part No.	Part Description	Comments	Revision
	dwg10219	Drawing Image Number		
	810-200C	CYL 2.5X8X1.12 ROD (TIE)1 PIN		
1.	5M3116	MW TUBE 2-1/2 X 8 X 1-1/8 ROD		
2.	2M3316	MW ROD		
3.	1M6006	MW ROD CLEVIS		
4.	2A0012	MW NUT CLEVIS & TIE ROD		
5.	2A0006	MW CAPSCREW		
6.	7M3316	MW TIE ROD		
7.	2A0012	MW NUT CLEVIS & TIE ROD		
8.	3M3310	MW HEAD		
9.		O-RING	Only found in seal kit item 19	
10.		BACK-UP	Only found in seal kit item 19	
11.		WIPER SEAL	Only found in seal kit item 19	
12.		O-RING	Only found in seal kit item 19	
17.	4M3108	MW PISTON		
13.	4M3102	RPBY 4M3108		
14.	6M3126	MW BASE		
15.	2A0022	MW NUT, PISTON		
16.		BACK-UP	Only found in seal kit item 19	
17.	2A0208	MW CLEVIS PIN		
18.	2A0132	MW PIN CLIP		
19.	810-210C	SEAL KIT MW 2.5 CYL 3A3102		Rev. 2
19.	3A3102	RPBY 810-210C		Rev 1; Use up stock

Hydraulic Cylinder (810-200C) Red Lion

Applies to RCR2584, RCR2684 S/N 1180233-



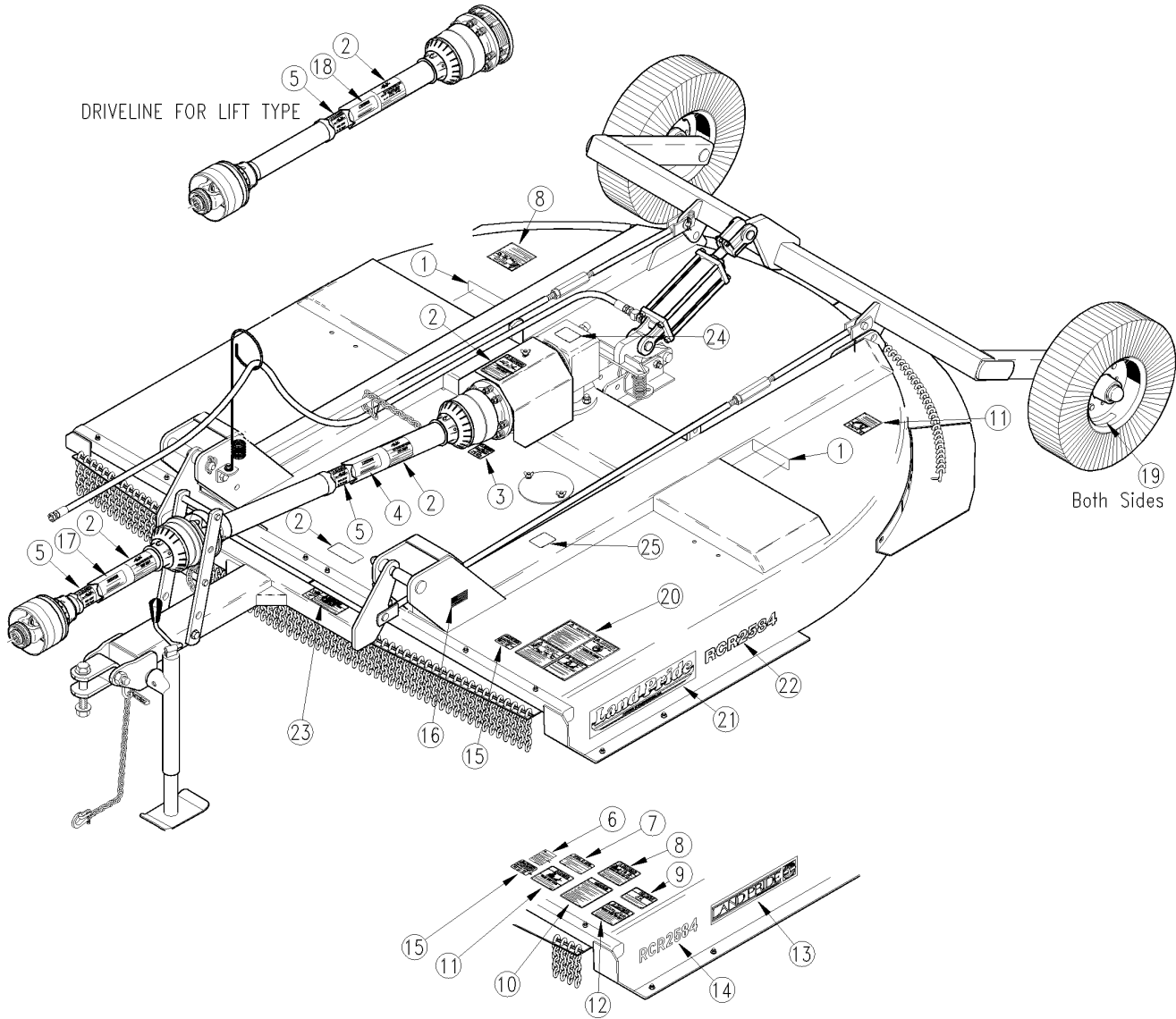
25901

Hydraulic Cylinder (810-200C) Red Lion**Applies to RCR2584, RCR2684 S/N 1180233-**

Ref	Part No.	Part Description	Comments	Revision
	Dwg 25901 810-200C	Drawing Image Number CYL 2.5X8X1.12 ROD (TIE)1 PIN *		
1.	803-014C	NUT HEX 3/8-16 PLT		
2.	130556	MON PISTON NUT		
3.	134953	LION PIN		
4.	135995	MON CLEVIS PIN COTTER		
5.	801-023C	SCREW SET SH 3/8-16X3/8 TYPE C		
6.	186561	PLUG 9/16-18UNF MORB SOCKET HD		
7.	N/A	MON ROD SEAL	Only Found in Kit #20	
8.	N/A	MON PISTON SEAL	Only Found in Kit #20	
9.	N/A	MON END CAP BACKUP WASHERS	Only Found in Kit #20	
10.	N/A	MON END CAP O-RING	Only Found in Kit #20	
11.	N/A	LION WIPER SEAL	Only Found in Kit #20	
12.	N/A	MON PISTON WEAR RING	Only Found in Kit #20	
13.	491668	LION CYL. TUBE 2.5 X 8		
14.	492218	LION TIE ROD 3/8, 8 CYL		
15.	492650	LION ROD CLEVIS 1 1/8-12UNF		
16.	492688	LION CLEVIS CAP 2.5, 9/16 ORB		
17.	492699	LION ROD 1.125 ASAE 8		
18.	494391	MON ROD CP2.50-1.12-9/16ORB-TS		
19.	258818	MON PISTON 2.50-.750-TSS-ISO-WR		
20.	810-886C	MON SEAL KIT 661701		

Label Placement

Applies to RCR2584, RCR2684 S/N 1180233-

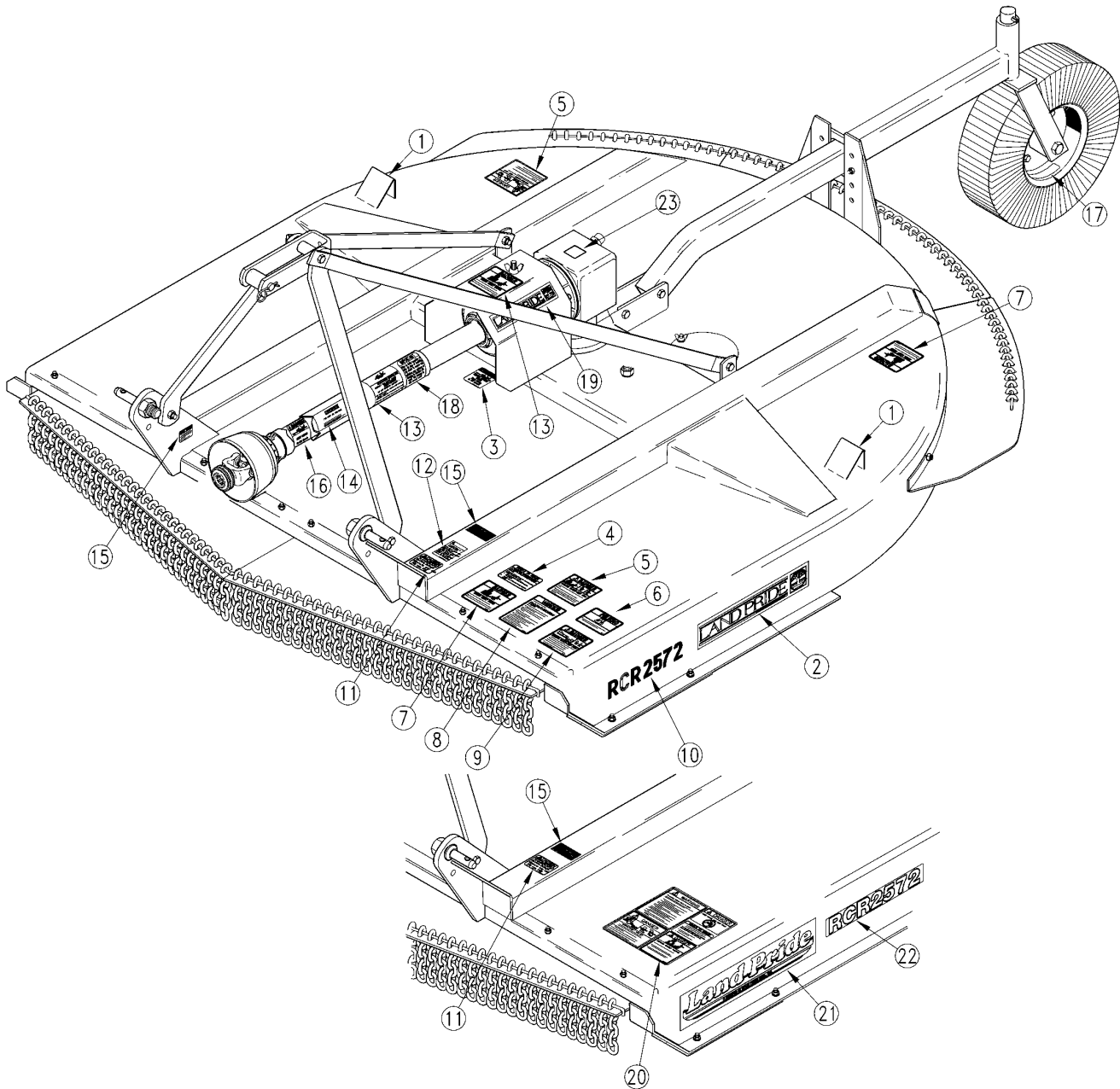


Label Placement**Applies to RCR2584, RCR2684 S/N 1180233-**

Ref	Part No.	Part Description	Comments	Revision
	Dwg 17559	Drawing Image Number		
	312-476A	RCR2584 DECAL PACKAGE		
	312-878A	RCR2684 DECAL PACKAGE		
		*		
1.	838-614C	DECAL REFLECTOR RED 2X9	S/N 813017+	
1.	818-230C	DECAL RED REFLECTOR	S/N 813016-	
2.	818-142C	DECAL DANGER PTO DRIVELINE EN		Rev. 2
2.	818-552C	DECAL DANGER PTO DRIVELINE		Rev 1; Use up stock
3.	818-543C	DECAL DANGER PD GUARD MISS SML		
4.	818-612C	DECAL PTO 826-152C		
5.	818-540C	DECAL DANGER GUARD MISS PTO		
6.	818-161C	DECAL CAUTION GENERAL RC SAFE		
7.	818-560C	DECAL NOTICE TO OWNER-NO WARRA		Rev. 2
7.	818-559C	RPBY 818-560C		Rev 1; Use up stock
8.	818-555C	DECAL DANGER ROTATE BLADE		
8.	818-564C	RPBY 818-555C	Obsolete	
9.	818-557C	DECAL DANGER CANNOT READ ENG		
10.	818-554C	DECAL WARNING GEN SAFE CUTTER		
11.	818-556C	DECAL DANGER THROWN OBJ CUTTER		
12.	818-555C	DECAL DANGER ROTATE BLADE		
13.	818-162C	LP LOGO LARGE GREEN	(S/N 255403-)	
14.	818-600C	DECAL RCR2584	(S/N 255403-)	
15.	818-130C	DECAL CAUTION 540 RPM		
16.	818-190C	DECAL FLAG		
17.	818-611C	DECAL PTO 826-151C		
18.	818-610C	DECAL PTO 826-150C		
19.	818-681C	DECAL NOTICE - 20 MPH MAX		
20.	818-830C	DECAL SAFETY COMBO SUNWEST	(S/N 225758+)	
21.	818-903C	RPBY 838-965C	(S/N 255404+) Beige/Yellow Units	
21.	838-965C	DECAL LANDPRIDE 16" BROWN/GOLD	Orange/Green Units	
22.	818-928C	DECAL RCR2584-BROWN	(S/N 255404+)	
22.	838-512C	DECAL RCR2684-GOLD		
22.	848-226C	RPBY 838-512C	Obsolete	
23.	838-094C	DECAL WARNING HYD PRESS LONG	(S/N 264391+)	
24.	818-862C	DECAL 5 YEAR GEARBOX WARRANTY	3-Point Mount	
25.	838-517C	DECAL QUICK HITCH SYSTEM		

Label Placement

Applies to RCR2560, RCR2572



17560

Label Placement**Applies to RCR2560, RCR2572**

Ref	Part No.	Part Description	Comments	Revision
	Dwg 17560	Drawing Image Number		
	312-413A	RCR25 SERIES SAFETY DECAL PKG		
	312-417A	RCR2572 DECAL PACKAGE		
	312-474A	RCR2560 DECAL PACKAGE		
		*		
1.	818-230C	DECAL RED REFLECTOR		
2.	818-162C	LP LOGO LARGE GREEN	(S/N 259099+-)	
3.	818-187C	DECAL DANGER DRIVELINE SHIELD		Rev 1; Use up stock
4.	818-560C	DECAL NOTICE TO OWNER-NO WARRA		Rev. 2
4.	818-559C	RPBY 818-560C		
5.	818-555C	DECAL DANGER ROTATE BLADE		
5.	818-564C	RPBY 818-555C	Obsolete	
6.	818-557C	DECAL DANGER CANNOT READ ENG		
7.	818-556C	DECAL DANGER THROWN OBJ CUTTER		
8.	818-554C	DECAL WARNING GEN SAFE CUTTER		
9.	818-555C	DECAL DANGER ROTATE BLADE		
10.	818-536C	DECAL RCR2572 -BLACK LP	(S/N 259099-)	
10.	818-563C	DECAL RCR2560-BLACK LP	(S/N 259099-)	
11.	818-130C	DECAL CAUTION 540 RPM		
12.	818-161C	DECAL CAUTION GENERAL RC SAFE		
13.	818-142C	DECAL DANGER PTO DRIVELINE EN		Rev. 2
13.	818-552C	DECAL DANGER PTO DRIVELINE		Rev 1; Use up stock
14.	818-538C	DECAL PTO 826-146C		
15.	818-190C	DECAL FLAG		
16.	818-540C	DECAL DANGER GUARD MISS PTO		
17.	818-681C	DECAL NOTICE - 20 MPH MAX		
18.	818-680C	DECAL IMPORTANT - SLIP CLUTCH	(S/N 211783+)	
19.	818-165C	LP LOGO SMALL BUCKSKIN		
20.	818-830C	DECAL SAFETY COMBO SUNWEST	(S/N 225758+)	
21.	818-903C	RPBY 838-965C	(S/N 259100+)	
21.	838-965C	DECAL LANDPRIDE 16" BROWN/GOLD		
22.	818-926C	DECAL RCR2560-BROWN	(S/N 259100+)	
22.	818-927C	DECAL RCR2572-BROWN	(S/N 259100+)	
23.	818-862C	DECAL 5 YEAR GEARBOX WARRANTY		

Land Pride Touch-up Paints

Applies to RCR2560, RCR2572, RCR2584, RCR2684 S/N 1180233-

No diagram associated with this Parts List

Land Pride Touch-up Paints**Applies to RCR2560, RCR2572, RCR2584, RCR2684 S/N 1180233-**

Ref	Part No.	Part Description	Comments	Revision
1.	821-011C	LP BEIGE SPRAY CAN	Spray can	
1.	821-070C	GLOSS BLACK SPRAY CAN	Spray can	
1.	821-054C	MED. RED SPRAY TRCK/CTR	Spray can	
1.	821-058C	GREEN SPRAY CUTTERS	Spray can	
1.	821-066C	ORANGE SPRAY CAN	Spray can	
1.	821-067C	BLUE SPRAY CAN	Spray can	
2.	821-011CTU	LP BEIGE TOUCH-UP 5OZ	Touch-up bottle with brush	
2.	821-070CTU	GLOSS BLACK TOUCH-UP 5OZ	Touch-up bottle with brush	
2.	821-054CTU	MED RED TOUCH-UP 5OZ	Touch-up bottle with brush	
2.	821-058CTU	GREEN TOUCH-UP 5OZ	Touch-up bottle with brush	
2.	821-066CTU	ORANGE TOUCH-UP 5OZ	Touch-up bottle with brush	
2.	821-067CTU	BLUE TOUCH-UP 5OZ	Touch-up bottle with brush	
3.	821-011CQT	LP BEIGE QUART	Quart can	
3.	821-070CQT	GLOSS BLACK QUART	Quart can	
3.	821-054CQT	MED RED QUART	Quart can	
3.	821-058CQT	GREEN QUART	Quart can	
3.	821-066CQT	ORANGE QUART	Quart can	
3.	821-067CQT	BLUE QUART	Quart can	
4.	821-011CGL	LP BEIGE GALLON	Gallon can	
4.	821-070CGL	GLOSS BLACK GALLON	Gallon can	
4.	821-054CGL	MED RED GALLON	Gallon can	
4.	821-058CGL	GREEN GALLON	Gallon can	
4.	821-066CGL	ORANGE GALLON	Gallon can	
4.	821-067CGL	BLUE GALLON	Gallon can	



Part Number Index

The Part Number Index is a numeric index of all part numbers included in this manual. The index shows what page(s) the part is used on.

Part Number	Page	Part Number	Page	Part Number	Page	Part Number	Page
0.121.7101.00	85	1004225	51, 53, 59, 61, 67, 69	1786710	51, 55, 59, 63, 67	312-151S	29
0.132.7107.00	85			1786711	51, 55, 63, 67	312-386H	21
0.139.7100.00	85	1004227	53, 55, 57, 69	18-027	77	312-387H	31
0.139.7101.00	25, 85	1006017	61	180.014.022	75	312-388H	21
0.210.0300.00	85	1006020	51, 53, 55, 57, 59, 61, 63, 65, 67, 69	180.015.130	75	312-395A	43
0.210.1300.00	85			180.019.014	75	312-396A	49
0.210.2000.00	85			180.019.019	75	312-399H	21, 25
0.210.3000.00	85	1006065	55	180.019.115	75	312-400H	21, 25
0.210.5000.00	85	1016010	51, 53, 55, 61, 67, 69	180.019.116.1	75	312-402H	21
0.210.6000.00	85			180.019.340	75	312-403H	31
0.252.7525.00	85	1016012	51, 53, 55, 57, 59, 61, 67, 69	1808010	71, 73	312-404H	21
0.285.7510.00	85			186561	89	312-409A	43
0.709.7500.00	85	11-008	77	1874027	61	312-410A	49
0.712.7500.00	85	1116010	61	1874066	57	312-413A	93
010112	79, 81, 83	1138007	71, 73	1874076	53	312-417A	93
010160	81, 83	1138008	71, 73	1874086	69	312-419H	25
02-053	77	1140001	55	1874094	65	312-419H82	25
02-054	77	1140003	55	1875027	61	312-420H	37
020005	79, 81, 83	12-003	77	1875066	57	312-421H	37
020162	79, 81, 83	1215012	71, 73	1875076	53	312-422H	9
03-060	77	1215733	51, 55, 59, 63, 67	1875086	69	312-423H	37
03-061	77	1215735	51, 55, 59, 63, 67	1875094	65	312-424H	29
030038	81	122-076D	21	1876030D	59	312-425H	29
030039	81	130556	89	1876064	55	312-426H	29
030040	79, 83	1341270	71, 73	1876074	51	312-427H	29
030041	79, 83	134953	89	1876084	67	312-428H	29
04-007	77	135995	89	1876092	63	312-429H	29
04-008	77	140017	79, 81, 83	1877064	55	312-430H	35
04-009	77	140033	79, 81, 83	1877074	51	312-431H	33
04-010	77	141.025.363.1	75	1877084	67	312-432H	33
04-011	85	142.250.3657521	75	1877092	63	312-435A	39
040112	79, 81, 83	1421010	71, 73	1885702	51, 55, 63, 67	312-436A	47
040135	79, 81, 83	146.254.015.1	75	1885703	51, 55, 59, 67	312-474A	93
044321	51, 53, 55, 57, 59, 61, 63, 65, 67, 69, 75	1466030	51, 53, 55, 57, 63, 65, 67, 69, 71, 73	1885704	59	312-476A	91
				1885705	63	312-481A	45
05-003	77	151.015.038.1	75	1885709	51, 55, 59, 63, 67	312-482A	45
05-014	77	151.019.011.1	75	1886010	61, 69	312-483A	41
050008	79, 81, 83	1526074	55, 57	1886011	65, 69	312-484H	45
050012	79, 81, 83	1526084	51, 53	1886012	53, 57, 65, 69	312-485H	45
050013	79, 81, 83	1526094	67, 69	1886013	53, 57, 61, 69	312-486L	45
050014	79, 81, 83	1526098	63	1886014	61	312-487L	45
050015	79, 81, 83	1528040D	59	1886321	65	312-488H	45
06-017	77	1528074	55, 57	1896097N327	63	312-489L	45
06-018	77	1528074	55, 57	1896099	65	312-490H	41
060004	79, 81, 83	1528084	51, 53	190.000.098	75	312-491H	41
060005	79, 81, 83	1528094	67, 69	190.000.099	75	312-492L	41
07-001	77	1528101	65	1M6006	87	312-493L	41
07-010	77	1528303	61	20-025	77	312-602D	21, 25
07-022	77	1546040	61	20-026	77	312-607D	21
070140	79, 81, 83	165.000.502	75	200-001D	29	312-608D	21
070141	79, 81, 83	165.000.548	75	200003	79, 81, 83	312-609D85	21
070142	79, 81, 83	165.000.628	75	21-001	77	312-610D	21
070143	79, 81, 83	17-001	77	258818	89	312-611D	21, 25
070144	79, 81, 83	17-002	77	2A0006	87	312-614D	31, 35
070145	79, 81, 83	17-003	77	2A0012	87	312-615D	31, 35
08-001	77	1705009	71, 73	2A0022	87	312-616D	31, 35
08-002	77	1706027	51, 53, 55, 57, 59, 61, 65, 67, 69	2A0132	87	312-620D	43
08-003	77			2A0208	87	312-621D	49
08-006	77	1706029	51, 53, 55, 57, 63, 67, 69	2M3316	87	312-622D	49
08-007	77			300-236D	25, 37	312-623D	49
09-011	77	1706033	71, 73	300-312D	11, 13	312-624D	43, 49
090015	83	1706570	53	312-062H	7	312-625D	49
090055	79, 81	1708018	71, 73	312-075D	21, 25	312-629D	31
090073	79, 81, 83	1708034	71, 73	312-082D	21, 25	312-639K	43
10-027	77	1776028	61	312-089D	21, 25	312-640K	49
1004220	51, 53, 55, 57, 61, 67, 69	1786008	53, 57, 65, 69	312-106D	33, 35	312-641K	49
		1786009	53, 57, 61, 65, 69	312-123D	31, 33, 35	312-642K	49
1004224	61	1786010	53, 57, 61	312-124D	31, 33, 35	312-643K	43
		1786011	53, 57, 61	312-131K	31, 35	312-644K	49
		1786028	61	312-136D	7	312-645K	49

Table of Contents Part Number Index



Part Number Index (continued)

Part Number	Page	Part Number	Page	Part Number	Page	Part Number	Page
312-646D	21	327-397D	7	802-224C	25	805-017C	11, 21, 25, 79, 81, 83
312-646K	49	38-11	22	802-240C	29, 31, 33, 35	805-043C	31, 33, 35
312-647D	21	3A3102	87	802-260C	9	805-045C	29
312-647K	39	3M3310	87	802-277C	21, 25	805-083C	29
312-648K	47	491668	89	802-280C	31, 33, 35	805-088C	15, 17, 19, 29
312-649D	43	492218	89	802-326C	29, 31, 33, 35	805-090C	11, 15
312-649K	47	492650	89	802-392C	37	805-103C	25, 37
312-650D	49	492688	89	802-440C	39, 41	805-109C	13
312-650K	47	492699	89	802-466C	21	805-137C	11
312-651D	49	494391	89	802-468C	43, 45	805-142C	21
312-652D	49	4M3102	87	802-603C	25	805-143C	21
312-653D	49	4M3108	87	803-013C	9, 17, 19, 21, 25, 43	805-163C	21
312-654D	49	5M3116	87	803-014C	43, 89	805-187C	29
312-655D	43	6331070	51, 55, 63, 67	803-019C	9, 31, 33, 35, 39, 47	805-255C	31, 33, 35
312-678D	33	6331080	51, 53, 55, 57, 59, 61, 65, 67, 69	803-020C	49	807-023C	17, 19
312-679D	33	6560508	59, 63	803-021C	9, 21	807-143C	29
312-680D	39	6561306	63	803-021C	9, 21	807-350C	13
312-681D	47	6M3126	87	803-024C	15, 21, 29, 33, 35	810-200C	17, 19, 87, 89
312-681S	9	7M3316	87	803-026C	11, 15, 17, 19, 21, 29, 31, 33, 35, 37	810-210C	87
312-682D	47	8.0.9.00143	85	803-027C	7, 21	810-818C	17, 19
312-683D	47	8.0.9.00469	85	803-029C	29	810-886C	89
312-683K	43	8.1.1.00501	85	803-031C	13, 15, 37	811-170C	17, 19
312-684D	15	8.2.2.00555	25, 85	803-037C	41	811-542C	17, 19
312-684K	43	8.4.7.00146	85	803-048C	29	8123.350.097.11	75
312-685D	15	8.4.7.02265	85	803-095C	21, 25, 79, 81, 83	8123.450.295.11	75
312-685K	39	8.5.1.00533	85	803-168C	11	814-058C	31, 33, 35
312-692D	33	8.5.2.00332	85	803-170C	21, 25	814-059C	29
312-693D	33	8.6.6.00201	85	803-177C	13	814-066C	29
312-694D	15	8.7.1.01107	85	803-180C	13	814-086C	29
312-699D	15	8.7.3.00331	85	803-181C	13	814-161C	31, 33, 35
312-712D	29	800-001C	29, 31, 33, 35	803-198C	41, 45	815-092C	31, 33, 35
312-714D	9	800-069C	9	803-231C	21, 25	815-093C	29, 33, 35
312-715D	9	800-080C	31, 33, 35	803-237C	29	815-230C	29, 31, 33, 35
312-716D	9	800-117C	17, 19	803-255C	11, 15, 25	815-236C	29
312-720D	29	800-320C	15, 22	803-271C	11, 13	816-009C	31, 33, 35
312-729D	17, 19	801-023C	89	803-289C	31, 33, 35	816-098C	29
312-733D	37	802-005C	11, 15	803-299C	21, 25	816-262C	45
312-734D	47	802-007C	22, 25	803-308C	29, 31, 33, 35	816-263C	45
312-735D	29	802-010C	13	804-007C	11, 15, 25	816-264C	41
312-736D	47	802-015C	9	804-009C	21, 25	816-504C	11, 15, 25
312-737D	39	802-017C	17, 19	804-010C	22, 25	817-050C	21, 25
312-770D	45	802-034C	31	804-012C	9, 17, 19, 21, 25, 43	817-057C	7
312-772D	45	802-041C	33	804-013C	21, 25, 43, 79, 81, 83	818-130C	91, 93
312-774D	41	802-042C	31	804-015C	29, 31, 33, 35, 49, 79, 81, 83	818-142C	91, 93
312-808D	22, 25	802-051C	15, 21	804-016C	29, 31, 33, 35, 47, 49	818-161C	91, 93
312-812D	25	802-053C	21	804-021C	9, 11, 13, 21, 33, 35	818-162C	91, 93
312-813D	11	802-055C	11, 13	804-022C	9, 21	818-165C	93
312-814D	11	802-064C	15, 21, 25	804-023C	7, 21	818-187C	93
312-818H	25	802-065C	11, 21, 25, 29	804-025C	11, 13, 21, 22, 29	818-190C	91, 93
312-821D	11, 13	802-068C	13	804-027C	13, 15, 37	818-230C	91, 93
312-822D	11	802-070C	21	804-028C	37	818-536C	93
312-829D	11	802-073C	11	804-029C	11, 37	818-538C	93
312-833D	9	802-074C	15, 37	804-036C	13, 21, 25	818-540C	51, 53, 55, 57, 59, 61, 63, 65, 67, 69, 91, 93
312-878A	91	802-079C	79, 81, 83	804-039C	13	818-554C	91, 93
312-879H	33	802-091C	31, 33, 35, 79, 81, 83	804-055C	29	818-555C	91, 93
312-999D	9	802-096C	37	804-063C	33, 35	818-556C	91, 93
318-142D	49	802-098C	13, 37	804-066C	31, 33, 35	818-557C	91, 93
326-002D	9	802-104C	29	804-070C	21, 25, 79, 81, 83	818-559C	91, 93
326-114H	25	802-106C	31, 33, 35, 47, 49	804-125C	37	818-560C	91, 93
326-114H81	25	802-135C	29, 31, 33, 35	804-147C	21, 25	818-563C	93
326-114H82	25	802-138C	13	805-004C	17, 19	818-564C	91, 93
326-114H86	25	802-146C	9	805-016C	29	818-600C	91
326-193D	13	802-153C	33, 35			818-610C	91
326-194D	13	802-155C	41, 45			818-611C	91
326-196D	13	802-159C	21, 25				
326-201D	13	802-162C	29				
326-204D	25	802-184C	7, 11, 17, 19				
326-206D	13	802-212C	21				
326-207D	13	802-214C	31, 49				
326-208D	13						
327-143S	13						



Part Number Index (continued)

<u>Part Number</u>	<u>Page</u>	<u>Part Number</u>	<u>Page</u>
818-612C	91	838-517C	91
818-680C	93	838-614C	91
818-681C	31, 33, 35, 91, 93	838-965C	91, 93
818-830C	91, 93	840-273C	26
818-862C	91, 93	848-226C	91
818-903C	91, 93	890-118C	37
818-926C	93	890-175C	43
818-927C	93	890-177C	17, 19
818-928C	91	890-182C	37
8180.014.240	75	890-341C	47, 49
8180.015.288	75	890-352C	11
8180.015.289	75	890-393C	39
820-137C	21	890-961C	31, 33, 35
820-138C	25	891-246C	37
820-193C	21	Dwg 14367	53, 57, 69
820-194C	25	Dwg 14369	65
821-011C	95	Dwg 15872	21
821-011CGL	95	Dwg 15881	25
821-011CQT	95	Dwg 17559	91
821-011CTU	95	Dwg 17560	93
821-054C	95	Dwg 25901	89
821-054CGL	95	Dwg 26957	85
821-054CQT	95	Dwg 30694	75
821-054CTU	95	dwg10219	87
821-058C	95	dwg13450	31
821-058CGL	95	dwg13451	43
821-058CQT	95	dwg13452	49
821-058CTU	95	dwg13692	71, 73
821-066C	95	dwg14031	15
821-066CGL	95	dwg14032	35
821-066CQT	95	dwg14033	33
821-066CTU	95	dwg14034	29
821-067C	95	dwg14035	37
821-067CGL	95	dwg14037	17, 19
821-067CQT	95	dwg14038	39
821-067CTU	95	dwg14039	47
821-070C	95	dwg14040	9
821-070CGL	95	dwg14120	79
821-070CQT	95	dwg14368	61
821-070CTU	95	dwg14378	7
822-091C	29, 31, 33, 35	dwg15090	77
822-092C	29, 31, 33, 35	dwg15739	83
822-098C	9	dwg16173	63
822-099C	9	dwg16440	11
822-100C	9	dwg16610	59
826-035C	21, 77, 79, 81	dwg18178	45
826-038C	25, 83	dwg18179	41
826-146C	22, 51, 53	dwg21187	55
826-147C	22, 55, 57	Dwg21426	67
826-150C	25, 67, 69	dwg21426	51
826-151C	9, 26, 59, 61	dwg26623	13
826-152C	9, 26, 63, 65	dwg26951	81
826-222C	22, 25	N/A	31, 33, 35, 89
826-377C	25, 85		
826-490C	85		
826-574C	51, 53		
826-575C	55, 57		
826-576C	67, 69		
826-578C	59, 61		
826-579C	63, 65		
826-648C	25		
826-673C	25, 75		
827-010C	21		
827-036C	31, 33, 35		
837-027C	7		
837-062C	13		
837-063C	13		
837-086C	26		
837-101C	22, 25		
838-094C	91		
838-512C	91		

This Page Intentionally Left Blank



Great Plains Manufacturing, Inc.

Corporate Office: P.O. Box 5060
Salina, Kansas 67402-5060 USA

www.landpride.com
