



EasyCut

Trailed disc mowers





The product range

Professional and versatile
Success by the finest design



The cutterbar

You can rely on it.
Fully welded and wedge-shaped cutterbars
– design and functionality



CV steel tine conditioner

Total quality forage.
The KRONE high-capacity conditioner with
adjustable baffle plate



CRi roller conditioner

The specialist in Alfalfa
Two rollers, two drive systems – for effective treatment



Cross conveyor Hydraulic swath board control

Gathering two windrows into one,
placing two windrows side by side
Two into one will go!
Save time and cost



KRONE DuoGrip – the side-control center-of-gravity suspension system

Cutting at uniform ground pressure across the full working width



With side-mounted drawbar

with side-mounted drawbar
Compact on the road, agile in the field



With mid-mounted drawbar

Cutting left and right
The mid-mounted drawbar has made it possible



EasyCut 6210 CV

Two high-capacity mower conditioners
in a staggered arrangement offers 6.20 m (20'3")
work widths
Huge area outputs, perfect cuts



Technical Data

Customer information:
Figures and facts
that speak for themselves





Mowers for professionals – The trailed EasyCut disc mowers from KRONE

- Versatile
- Appropriate
- Efficient
- Profitable



Trailed disc mowers cater to a wide variety of demands and applications depending on country, region and type of operation. Our extensive range of mower versions offers our customers the choice to pick the specific machine that best suits their specific needs. These include the V steel tine conditioner with wide-distributing hood, CRi roller conditioner, cross conveyor merger and hydraulic swath board control.



The EasyCut 2801 CV, 3200 CV, 3201 CV, 3200 CRi and 3600 CV models with side-mounted drawbar work round and round – even in bends and corners – without ever lifting out of work or reversing.

The EasyCut 3210 CV, 3210 CRi and 4013 CV models feature a mid-mounted drawbar with hydraulic control to swing to the right or left of the tractor. These are the ideal machines for cutting large fields.

The EasyCut 2801 CV, 3200 CV, 3201 CV, 3210 CV, 3600 CV and 4013 CV models feature a wide V-steel tine conditioner, where the pivoting V-type tines provide uniform conditioning across the full work width.



Pull-type mower	side drawbar	middle drawbar	v-steel tine conditioner	Cross conveyor merger (option)	CRi roller conditioner	Hydr. swath board control (option)
EasyCut 2801 CV	✓		✓			✓
EasyCut 3200	✓					
EasyCut 3200 CV	✓		✓	✓		✓
EasyCut 3201 CV	✓		✓	✓		✓
EasyCut 3210 CV		✓	✓	✓		✓
EasyCut 2800 CRi	✓				✓	✓
EasyCut 3200 CRi	✓			✓	✓	
EasyCut 3210 CRi		✓			✓	
EasyCut 3600 CV	✓		✓	✓		
EasyCut 4013 CV		✓	✓			
Easycut 6210 CV		✓	✓			



EasyCut 2800 CRi, 3200 CRi and 3210 CRi featuring conditioner rollers. The full-width and chevron-profiled rollers interlock and deliver superb treatment of legumes and other leafy crops.

Two will go into one – EasyCut 3200 CV, 3201 CV and 3210 CV are available with cross conveyor belt merger, EasyCut 2801 CV, 3200 CV, 3201 CV and 3210 CV with hydraulic swath board control to gather two windrows into one or placing two windrows next to each other.

EasyCut 6210 CV – one mower, two separate cutterbars. This high-capacity mower with mid-mounted drawbar produces perfect cuts at a 6.20m (20'3") working width.



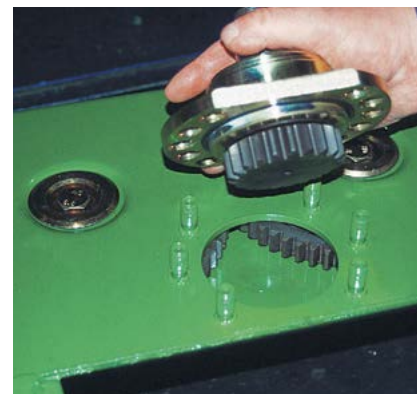
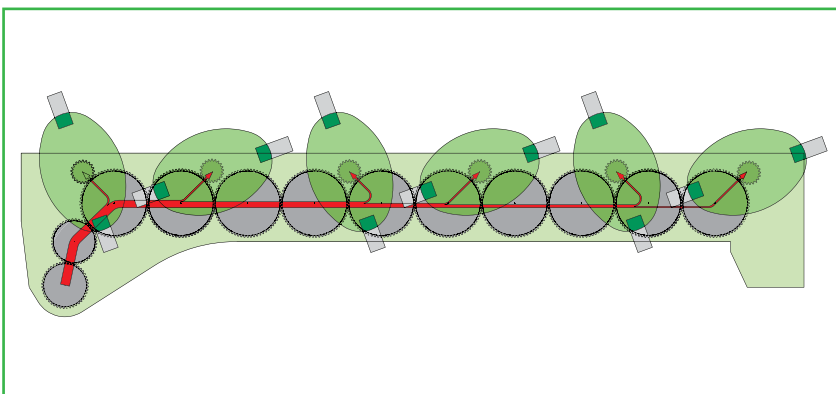
EasyCut – a unique KRONE system

- The cutterbar – permanently lubricated, fully welded and leak-proof
- Wedge-shaped profile
Clean cutting
- Extra wide and hardened flotation skids
- No inner shoe
Blockage-free operation
- Massive spur gears
Efficient driveline



The KRONE EasyCut disc mowers provide clean and accurate cuts. The enclosed and fully welded cutterbar operates dependably and leak-free over many years of hard work.

Massive and oil-immersed spur gears guarantee quiet and reliable running in permanent operation and highest workloads. All EasyCut mowers feature wide flotation skids, which protect both the cutterbar and the turf. All knives are standard quick-change.

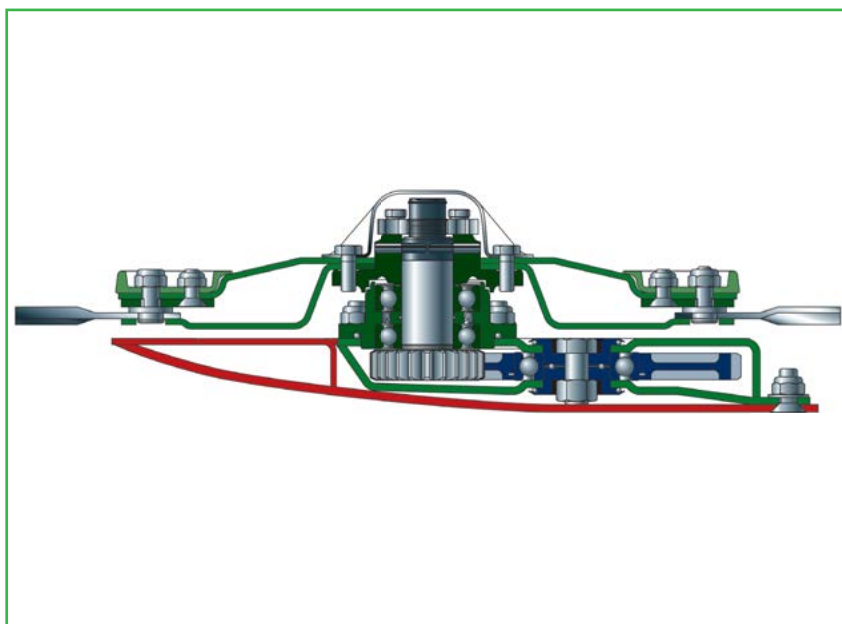


The satellite gears are a KRONE development, which has proven extremely well all over the world since 1989. Massive spur gears with up to 66 teeth ensure positive mesh and efficient power transmission down to the very last disc. The large-diameter gears rotate at reduced speed, with more teeth meshing with the neighbouring gears for quieter running, ultimate efficiency and maximum longevity. The auxiliary gears drive one disc each and are therefore exposed to only minimum loading. The discs are arranged in a very forward position, which ensures the blades overlap generously to produce perfect cuts.

Straightforward and effective. Some of the gears beneath the discs mount eccentrically in the casing. These are removed from the top and complete with their bearings; whereas the large gears on the main drive system are removed from the side.



EasyCut produces better cuts. Thanks to its wedge-shaped cutterbar, it cuts short stubble in meadows and pastures and slightly longer stubble in long-stemmed field crops. The wedge-shaped design provides a larger choice of settings and therefore more options to deal with difficult conditions. The advantage for users is clean cuts and blockage-free operation. As another KRONE benefit, the massive spur gears run in double bearings, which are spaced wide apart to withstand highest and permanent loading. The hardened discs spin in a massive and thick-walled mower bed, which offers full protection from any damage – for complete peace of mind.



The rugged and absolutely leak-free cutterbars from KRONE are fully welded by advanced robot and CNC technologies to achieve the highest-quality build. After all, the cutterbar is the heart of a disc mower.




Smart by design, the cutterbar is powered by a right-angle gearbox, which is arranged right behind the inner top hat – for blockage-free operation on the headland and in awkwardly shaped fields.



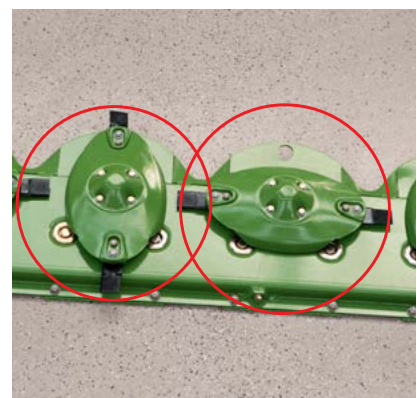
Constant pto speed – thanks to a driveline that is comprised of driveshafts and gearings, which effectively transfer the drive power to the discs, even when operating in heavy crops and at wide working widths. The main gearbox on all trailed EasyCut mowers matches a 1,000 rpm pto as standard fit.



EasyCut – clean and effective cuts

- Standard quick-change blades 
- Replaceable knife attachment pins and wear parts
- Full 360° knife rotation
- Each SafeCut disc is shear-bolt protected

The wedge-shaped EasyCut cutterbar was developed over decades of mower manufacturing. The success of all KRONE disc mowers is based on their perfect performance, unmatched longevity and a host of unique selling points. EasyCut mowers deliver to customers needs. Quick change blades, the satellite driveline and the SafeCut shear-off system on the individual discs are only some of the benefits of EasyCut disc mowers.



Worn knife pins and wear parts are not an issue on KRONE EasyCut. They are designed to be replaced in pairs. The pins may be substituted with threaded bolts upon request.

Floating over the turf, extremely wide skids made from hardened steel are bolted to the cutterbar to protect the unit and the turf. High-cutting skids are available to produce longer than 80 mm (3") stubble. Depending on the installation, these skids increase the cutting height by 30 mm (1") or 50 mm (2").

Excellent cuts – 112 mm (4.4") knives mount on their individual discs in alternate arrangements, giving generous overlap. Impact stops are welded between the skids to protect the cutterbar from damage and deliver an excellent cut.



**SafeCut
INSIDE**



SafeCut: The new and standard impact disc protection system offers a unique level of protection and functionality. The situation is familiar to every farmer – a disc collides with a stone, is damaged and requires repair. Offering maximum protection, the KRONE SafeCut system does not transfer the full load of the impact to the spur gears. Instead, the roll pin in the sprocket driveshaft breaks when there is a momentary overload. The pinion shaft continues spinning, jacking up the disc in question and moving it out of the risk zone and the orbit of the neighbouring discs to avoid damaging these as well.



Unlimited spin – the knives are free to spin through 360°. They are hard-wearing and self-cleaning, well protected and will not interfere with the knives on the neighbouring discs.



The ideal design – there is no load on the roll pins during operation. The bearing is tensioned by a nut and two clamping screws. As a result, the roll pins cannot suffer from material fatigue and continue breaking at the inbuilt loading level after many hours of operation.




The moment of impact: The roll pin breaks, the disc jacks 15 mm (0.6") up on the shaft threading and stops spinning actively, Eliminating the risk of colliding with the neighbouring discs and damaging these.

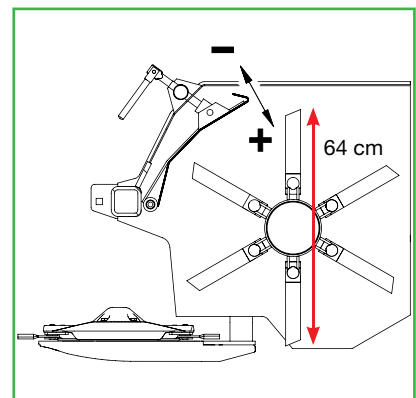


CV steel tine conditioner

Pivoting V-tines produce high-quality forage

- Massive 640 mm (2')  tine rotor
- Freely pivoting steel tines for absolute peace of mind
- Steplessly adjustable baffle plate
- Mechanical 600 rpm and 900 rpm gearbox
- Adjustable wide-distributing hood

Efficiency is one criteria in hay and forage harvesting, quality is another. The high-capacity KRONE CV mower conditioner with V-type steel tines conditions the crop uniformly and across the full working width to promote wilting, reduce field traffic and produce top-quality forage.



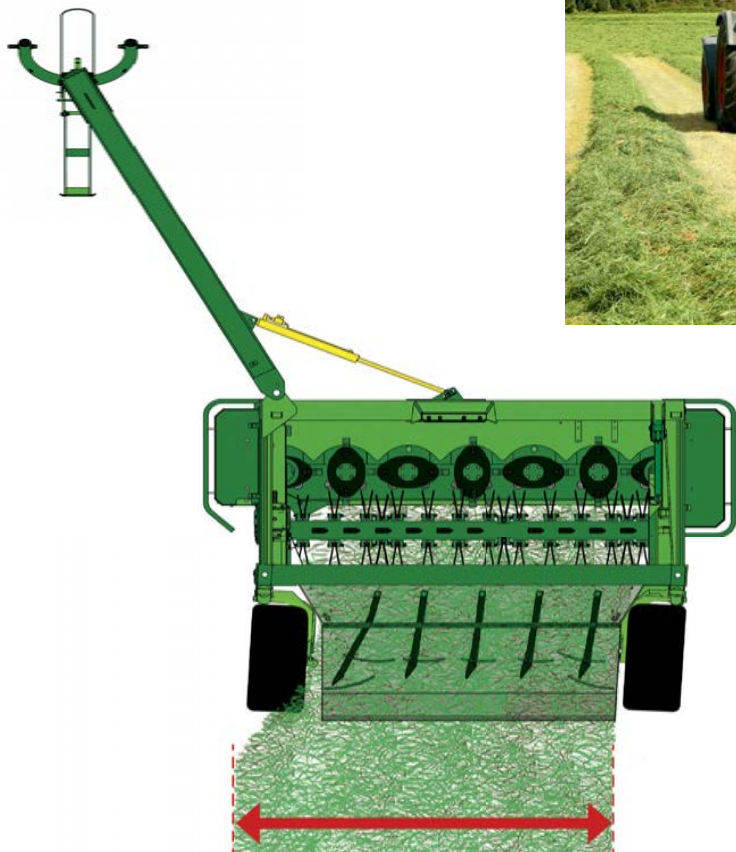
Cutterbar and conditioner share the same gearbox, which also integrates the two-speed mechanical CV conditioner gearbox (600 rpm and 900 rpm).

Heavy duty. EasyCut 3201 CV and 3600 CV feature an extremely heavy-duty drive-line to the cutterbar and conditioner rotor. To keep the oil temperatures low, we also installed cooling fins to ensure dependable operation in the heaviest crops.

High efficiency for high quality. The massive conditioner rotor with V-shaped steel tines is 64 cm (2') in diameter and impresses by highest throughputs and best conditioning results. The intensity of conditioning is controlled by the infinitely adjustable baffle plate.



Wide spreading or narrow windrows – scientific research has shown that wide spreading enhances significantly fermentation and forage quality. Accordingly, the hood not only spreads the material over a large area, but also produces light and fluffy windrows, which in turn eliminate at least one tedding pass and lead to higher milk production while reducing the requirement for feed additives.




Full-width conditioning. Specified with V-type steel tines and baffle plate, the conditioner spans the entire work width, provides a uniform crop flow across the full width and of course optimum conditioning. In addition, guide plates deflect the material flow for spreading across the full width for rapid wilting.

Full flexibility: The optional guide plates feature a pin/hole setting system to vary the angle. Choose between narrow windrowing in wet and boggy terrain and wide spreading, if rapid drying is the priority.



CRi roller conditioner

The specialist in Alfalfa

- CRi roller conditioner 
The specialist in Alfalfa
- 25 cm (10") diameter rotor for smooth crop flow
- Polyurethane coating for long service life
- Separate roller drives for high throughputs
- Chevron profiled rollers give positive crop treatment

Delicate and broad-leaved crops such as Alfalfa are conditioned best by the interlocking KRONE CRi conditioner rollers. Profiled in a chevron pattern, this conditioner is typically operated in Alfalfa to provide gentle treatment to the delicate leaves while crimping the stems to ensure faster and more uniform wilting.



Full-width conditioning. The full-width CRi rollers ensure uniform conditioning across the entire work width. Thanks to a stepless adjustment system, the operator easily adapts the roller clearance and pressure to the current crop yield and variety. The polyurethane coating gives lasting resistance to abrasion and wear.

250 mm (10") diameter CRi rollers ensure a smooth and unobstructed crop flow while reducing required tractor power.



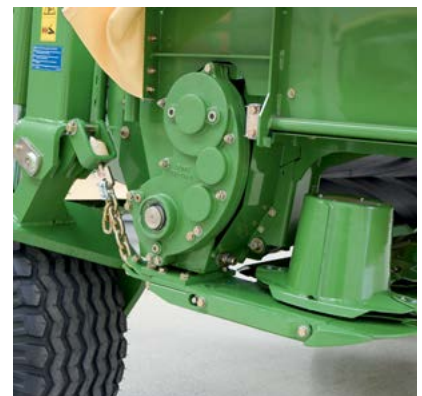
Legumes and herbs require a different type of conditioning than crops that are predominantly grass. Providing gentle treatment to leafy crops, the CRi roller conditioner leads to less fragmentation than a tined rotor, leaving the delicate leaves intact, which are so rich in valuable protein, and preserve the quality of farm-grown feedstuff. Spreading the crops wide, the system also makes for faster wilting. This optional CRi conditioner version complements the KRONE range of mowers to meet all farming needs.



Hungry – the large-diameter and chevron-profiled conditioner rollers interlock to crimp, rub and crush the crop at great intensity.



Frictional connections – drive power to the roller conditioner flows directly and slip-free via gearboxes. The gears that drive the bottom roller are integrated in the cutterbar gearbox behind the left top hat.




Two rollers, two gearboxes. The top roller is driven by a separate gearbox on the right end of the cutterbar and is synchronized with the bottom roller.



The cross conveyor merger is an option

Two will go into one!

- Separate hydraulic drive 
- Infinitely variable spreading width
- Conveyor shuts automatically on/off during lower/lift
- Conditioner tray enhances the crop flow

Combining three passes into one single pass, the trailed EasyCut 3200 CV, 3201 CV, 3200 CRi, 3210 CV and 3600 CV models cut, condition and windrow the crop in one single operation, thanks to the hydraulic driven cross conveyor belt merger. These models save your time, increase your efficiency, reduce the number of passes and the risk of soil compaction and produce clean forage.



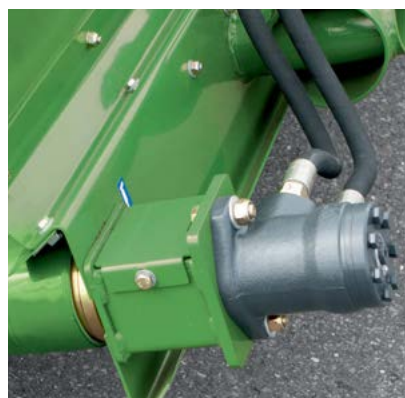
On machines specified with a cross conveyor belt merger, the V-type steel tines not only condition the material but feed it to the belt. Therefore, some of the tines are solid metal to enhance the efficiency of their throw.

Losses are not accepted. All cross conveyor belt versions of trailed EasyCut CV disc mowers feature a steel tray beneath the V-steel tine conditioner, which collects every single haulm for conveying it into the windrow.

The cross conveyor belt merger in combination with CRi conditioner rollers is the ideal combination in Alfalfa when this is harvested without turning or windrowing. The material drops from the rollers onto the conveyor, which feeds it out to the side without losses.



The trailed EasyCut disc mower conditioners with cross conveyor belt suit a wide range of applications. Being true all-round machines, they produce wide and compact single windrows or convey the material onto the existing windrow or next to it to form a double windrow that is easily picked up by the following harvester. Feeding the crop onto the windrow without the material ever touching ground, the cross conveyor ensures clean forage without losses.



A blockage-free system, the 900 mm (3') belt boasts weld-on feed bars that provide for constant crop flows and fast cutting in heavy crops as well as forming uniform windrows for excellent presentation to the pick-up on the following harvester. Separate hydraulic system: Oil supply to the cross conveyor comes from a separate oil reservoir rather than the tractor's hydraulic system.

Powerful hydromotor and infinitely variable conveyor speed – the perfect match to set windrow widths to requirement for the following harvester.

The motor shuts off automatically as the belt lifts out and is restarted automatically when the belt lowers back into work.



The EasyCut 32 CV and 32 CRi combination produces a double windrow in a single operation. The cross conveyor belt merger places the material onto or next to the windrow that is produced by the front mower. Eliminating the tedder and rake passes, the combination boosts your efficiency and saves your time and money. These facts suggest that gathering two windrows into one is a profitable strategy that justifies the investment of a cross conveyor belt merger.



Strong beams suspend the cross conveyor belt for ultimate stability when operating in heavy crops, uneven fields and on the slope. They swing the unit up and out of work when the mower is producing single or wide windrows.



An ideal system, a single-acting ram raises the cross conveyor as a reversing valve shuts it off and back on when the ram lowers the unit back into work.



Operator comfort – the operator changes belt speed conveniently from the cab by operating a rotary potentiometer, which controls the throw and placement of the crop on top of the existing windrow or next to it.



A new and competitive approach to windrowing – the trailed EasyCut 2801 CV, 3200 CV and 3201 CV disc mowers are available with long, hydraulic control swath boards, which tighten the crop flow and windrow the material to the right or to the left depending on the current angle. The double windrows produced by EasyCut 2801 CV are easy to ingest by the 3.00 m (9'10") pick-up on a SF forage harvester like KRONE BiG X. EasyCut 3200 CV, 3201 CV and 3210 CV produce double windrows that feed a 3.80 m (12'6") SF pick-up.



Forming perfect double windrows, the long and pivoting swath boards tighten the material flow and windrow it neatly to the side, forming fluffy double windrows for easy pick up by the harvester.

Providing infinite variable adjustment, the two swath boards are controlled by a shared linkage system and a double-acting ram that synchronizes action to the right or left.

The swath boards turn to the left or right, the drawbar swings in or out into work or transport position. The operator selects the individual functions on the electric control box.



DuoGrip

The intelligent linkage system – a unique KRONE design

- Trailed mower suspended in a double frame i
- DuoGrip: Center-of-gravity suspension system
Added side control
- Uniform ground pressure across the entire work width
- Quick-response tension springs for accurate contour following
- Stepless ground pressure adjusting system

At the heart of high-quality forage is a perfect and clean cut, which in turn is down to the specific design of the mower and its suspension and control system. KRONE DuoGrip not only suspends the mower in its center of gravity but guides the machine on either side of the mower. The speciality of the system is that it maintains the ground pressure across the full work width and provides highest stability and optimum side control.



Adjust the ground pressure conveniently to requirements. Adjustable coil springs provide quick and optimum adaptation to all conditions. The system stands out for its large choice of setting options and convenient handling.

A well-balanced mower that suspends and trails in its center of gravity will achieve better-quality cuts. The DuoGrip system ensures the machine pulls with ease, protecting the valuable turf without contaminating the crop while maintaining the pressure across the full width.

DuoGrip – parallel linkages distribute the load on the machine. Suspended in its center of gravity, the mower receives additional control by a linkage system on either side of the machine. This DuoGrip system absorbs any lateral loading on the machine, reduces the loading on the center-of-gravity suspension system and adds to the rugged design of the mower.



DuoGrip is a two-point linkage system, which suspends the trailed mower conditioner in a double frame. DuoGrip combines ultimate stability at low weight and positive side control while mounting the mower exactly in its center of gravity. The advantages are clean cuts, optimum ground adaptation in uneven terrain, superior longevity, easy pulling, reduced side pull and better fuel efficiency. The trailed EasyCut mowers bring efficiency to your operation and harvests, producing top-level forage quality and protecting your valuable turf.



Quick and easy. This crank controls the cutting height. EasyCut 2801 CV and EasyCut 3201 CV may be specified with an optional hydraulic ram, which tilts the mower as it crosses tramlines and runs through hollows.

Adaptive – the mower pivots in a double frame for full up/down travel to avoid obstacles and follow ground undulations. The system's response is controlled by spring tension. The stronger the tension of the springs, the more responsive the system is.

There is plenty of pivoting room on either end of the cutterbar, which allows the unit to adapt to any ground contours. As the mower pivots in its double frame, it closely follows the ground – to the effect of producing clean forage and protecting the turf.



With side-mounted drawbar and no conditioner

EasyCut 3200

- Pulls with ease
- Ideal behind low-horsepower tractors
compact and easy-pulling as it takes load off the rear axle
- Swivel gearbox for round and round work
Turns on the spot
- DuoGrip center-of-gravity suspension
- Strong V-frame
- Depth control is convenient from a crank



Are you looking for a powerful trailed mower without conditioner that works at a width of about 3.00 m (9'10")? Then the KRONE EasyCut 3200 with DuoGrip center-of-gravity suspension is the machine for you. This mower stands out for an extremely low power input, maximum stability as well as a superior level of specification and operator comfort.



Appropriate. The V-shaped frame on the EasyCut 3200 model with side-mounted drawbar is robust, compact and yet high enough to give the mower plenty of travel. Suspended in its center of gravity, guided by side arms and benefitting from the high frame, the cutterbar swings back and up through a large angle to avoid obstacles, leaving a clean surface even in undulating terrain and ensuring not a haulm is lost. The drive power flows down driveshafts and through a massive right-angle gearbox, which is arranged behind the inner top hat.

Cutting at the optimum height. The cutting height is adjusted on a threaded spindle and it takes just a minute to adjust the machine perfectly to the current conditions. The cutterbar's ground pressure is adjusted by tensioning the coil springs.



The powerful, easy pulling and innovative trailed EasyCut 3200 model without conditioner offers the unique SafeCut impact protection system and amazing operator comfort also when operated by a lower-powered tractor. Unlike the mounted version, the trailed version does not tap into the tractor hydraulics and does not shift weight to the rear axle. Its transport height is much lower. All these attributes make the machine safer when operating on slopes and when managing turns at speed. Offering a transport width of 3.00 m (9'10"), EasyCut 3200 can travel on all public roads.



Maneuverable. Equipped with side-mounted drawbar and pivoting gearbox, the unit cuts around any bend. The two-point headstock attaches to the height-adjustable link arms – although the floating drawbar has become the preferred choice of attachment in some countries.



Easy to maintain: The front section of the frame folds up to give easy access to the discs for cleaning and convenient blade replacement.



Nice and compact. Running inline behind the tractor, EasyCut 3200 does not exceed the statutory 3.00 m (9'10") transport width, gives plenty of ground clearance and is approved to 40 km/h (25 mph) maximum speed. This is the machine to travel quickly between sites.



With side-mounted drawbar and conditioner

EasyCut 2801 CV, 2800 CRi, 3200 CV, 3201 CV, 3200 CRi, 3600 CV

- Compact design i
- Extremely agile
More than 90° turn angle
- Ideal in round and round operations.
Turns on the spot
- Center-of-gravity suspension
DuoGrip
- EasyCut 3600 CV: approx.
3.40 m (11'2") transport width

The trailed and powerful EasyCut disc mowers with side-mounted drawbar have proven extraordinarily well all over the world. Compact by design, these machines feature a strong double frame and a side-mounted drawbar for mowing round and round. These mowers are a revelation of advanced mower technology.



Mowing round and round without ever stopping, the trailed EasyCut mower with side-mounted drawbar cuts around every corner and turns on the spot thanks to the pivoting gearbox and the short drawbar, eliminating the need to reverse into corners.

Thanks to the pivoting gearbox, the main driveshaft will not angle when travelling through bends to the benefit of an extended service life. In addition, the torque of the swivel gearbox helps absorb the side-thrust and ensures quiet running and positive tracking.

Sure footed – as the machines operate on soft ground and slopes, they run on 15.0/55-17/10 tires that provide light treading to protect the turf. Mounted at a 3° angle, the wheels effectively roll in direction of travel without pulling to the side.



Harvest at maximum rates – when opening up a field, turning on the headland or cutting around bends, corners and in angles. The trailed EasyCut disc mower with side-mounted drawbar and swivel gearbox gives you the flexibility of mowing round and round without lifting the machine out of work, without reversing and without ever stopping. Thanks to the short drawbar, these disc mowers are extremely compact and pull easily. Also, they have proven exceptionally effective in small fields and stand out for superb tracking. KRONE disc mowers always run on the right side and are always cutting edge.



Convenient and fast – the operator pivots the mower hydraulically into work or transport position from the comfort of his seat. The swivel ram mounts in a number of different positions, which enable the operator to utilize the full track width of the pulling tractor.

Plenty of ground clearance – single-acting rams raise the double frame and the mower for road transport and when crossing windrows. A tap locks the rams during road transport.

Swift 40 km/h (25 mph) road transport. Not exceeding the statutory 3.00 m (9'10") transport width, EasyCut 2800 CV/CRi, 3200 CV/CRi and 3201 CV do not require special permission to travel on public roads.



With mid-mounted drawbar and conditioner

EasyCut 3210 CV, 3210 CRi, 4013 CV

- Cutting to the left and right
- Ideal for up and down operation
- Enormous agility thanks to swivel gearbox
- Center-of-gravity suspension DuoGrip
- EasyCut 4013 CV: 3.86 m (12'8") transport width



EasyCut 3210 CV, 3210 CRi and 4013 CV are the ideal machines for up and down operation. These high-capacity trailed disc mowers from KRONE with mid-mounted drawbar cut at widths of 3.14 m (10'4") and 4.00 m (13'2"). The drawbar is attached centrally for up and down operation at its best. Both units feature a standard conditioner. All central drawbar versions feature the full-width CV and CRi conditioners.



Power and efficiency comes from the swivel gearbox, which allows mowing to the left, to the right and continue mowing while turning. This is the ideal box to maximize your efficiency. The distance between tractor and gearbox is always the same for extended driveshaft service life.

Useful – the stand folds down for sure footing. The pto shaft and all oil lines are stored in convenient holders. The two-point headstock moves to the side for easier attachment to the tractor.

Changing sides is easy and convenient from the tractor seat. The double-acting ram swings the mower over to the other side in up and down operation and swings it centrally behind the tractor in transport position.



The pull-type EasyCut EasyCut 3210 CV or CRi disc mowers have proven extremely well in fields around the world – both as solo machines and in combination with a front mower. The mid-mounted pivoting drawbar allows mowing up and down the field in either direction.

You start on one end of the field and work down to the opposite end, a method that will harvest forage of uniform dry matter contents and quality. There is no need of harvesting in beds and besides the full working width is exploited, also when operating in combination with a front-mounted mower. In addition, working up and down allows deer to escape.



Frictional connections without belts ensure that drive power flows smoothly to the cutterbar and conditioner via gearboxes and driveshafts – thanks to two swivel gearboxes. Peace of mind comes from overload protection built into the driveline.



Swift – the mower lifts out and swivels hydraulically into the middle for transport on public roads, a position that gives plenty of ground clearance to run over deep ruts and windrows.



Travelling between fields at 40 km/h (25 mph). In inline position, EasyCut 3210 CV and CRi are allowed to run on public roads and at 3.00 m (9'10") transport width they do not require a special permission.

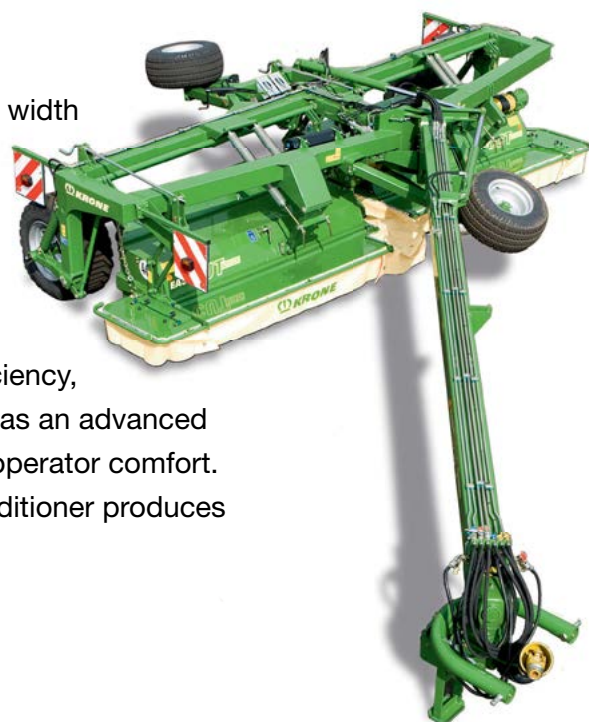


Ultimate efficiency – two mower conditioners in one machine

EasyCut 6210 CV

- The middle drawbar swings the mower to either side
- Swivel gearbox
Enormous swivel range
- Two cutterbars
Excellent contour following
- CV steel tine conditioner
Two speeds: 600/900 rpm
- Adjustable
wide-distributing hoods

Its 6.20 m (20'3"") working width and the central drawbar make EasyCut 6210 CV one of the most effective trailed mowers on the market. These machines stand out for superior efficiency, maximum stability as well as an advanced level of specification and operator comfort. The CV high-capacity conditioner produces best quality forage.



Excellent ground following – thanks to two staggered cutterbars rather than one full-width cutterbar. The two units operate independently of each other and follow every ground contour. EasyCut 6210 CV is the machine to produce quality forage.

A clean cut – the offset cutterbars and overlapping blades give cleanest cuts both in uneven terrain and when travelling around bends.

DuoGrip – system that has each mower pivot in its center of gravity and trail in the double frame. The ground pressure is maintained across the full work width and is controlled by adjusting the tension springs on the pivoting arm.



Take the choice – EasyCut 6210 CV cuts to the right or left of the tractor. Simply swing the drawbar to the other side as you do the headland turn and match up with the previous pass without mowing in beds. The tractor is not running in standing crop so that clean and loss-free cuts are guaranteed. You always use the machine to potential and, in combination with a front-mounted mower, at full width capacity. In sloping fields, it allows the tractor to run always on the hillside.



Height control is quick and convenient – thanks to crank handles that set the cutting height steplessly and separately on each unit.



Top-quality forage – the high-capacity conditioner rotor with pivoting V-steel tines and mechanical gearbox condition the forage across the full work width and at 600 rpm or 900 rpm. Optional deflectors direct the material flow for full-width spreading and rapid drying.




Swing left, swing right – the mid-mounted drawbar swings hydraulically to either side of the tractor. Its double acting ram is dependable even in the most difficult conditions.



Ultimate perfection

EasyCut 6210 CV

- Center-of-gravity suspension DuoGrip 
- Stepless ground pressure adjustment
- Crank-controlled work height
- Quick-change blades are standard-fit
- Large 500/45-22.5 tires for cutting

EasyCut 6210 CV, the disc mower that delivers technology, functionality, smooth handling and ultimate convenience. This is the machine for high-power standard tractors, which has starred in contracting applications. Featuring a strong double frame, the powerful mower conditioner running on wide tires is the equipment that delivers in unusually demanding applications.



Turns on the spot – the swivel-head gearbox (1,000 rpm) on the two-point headstock provides the flexibility to turn through 90° and larger angles while the main driveshaft does not move, allowing drive power to flow vibration-free to the cutterbar.

Direct driveline – the position of the gearboxes on the machine allows using short driveshafts. As a result, the driveline is vibration-free and there is nearly no wear at all.

Light treading and easy pulling – the EasyCut 6210 CV models run on oversized wheels and 500/45-22.5 tires in standard configuration. These have proven best in soft terrain.



Time is money. It is not only efficiency that counts for contractors but also the time spent in road transport. EasyCut 6210 CV is a swift road machine that travels at 40 km/h (25 mph). The robust running gear with air brake system and the large-diameter wheels translate into excellent road safety and operator comfort. The large warning panels and road lights provide safety at dawn and at night.



Wide work widths or narrow transport widths – it takes just a few seconds to swing the machine from work into transport position and vice versa. There is no

need to leave the tractor. It does not take a sophisticated system to control the semi-mounted chassis and its hydraulic ram. At a 2.99-metre (9'10") transport width

and running on 15.0/55-17 tires, this high-capacity mower provides for superior rides and requires not special permits for public roads.



Technical data

Trailed disc mowers

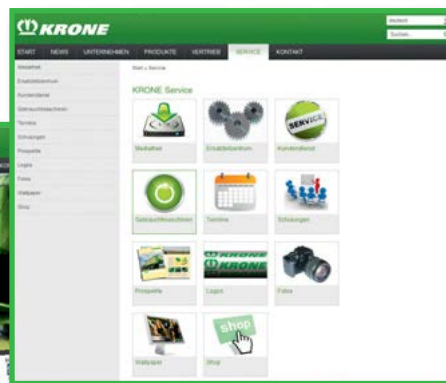
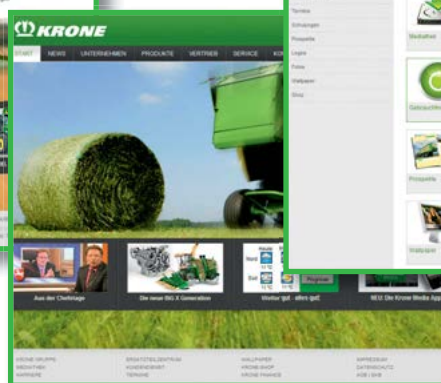
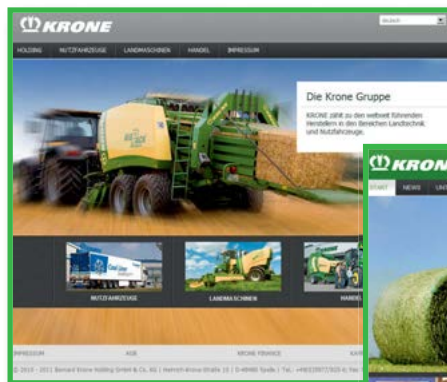
		EasyCut 2801 CV	EasyCut 2800 CRi	EasyCut 3200	EasyCut 3200 CV
Drawbar version		side-mount	side-mount	side-mount	side-mount
Work width	approx. mm	2,710 (8'11")	2,710 (8'11")	3,140 (10'4")	3,140 (10'4")
Transport width	approx. mm	2,565 (8'5")	2,565 (8'5")	3,000 (9'10")	3,000 (9'10")
No. of discs		4	4	5	5
No. of top hats		2	2	2	2
SafeCut		Standard	Standard	Standard	Standard
Quick-change blades		Standard	Standard	Standard	Standard
Bolted knives		Option	Option	Option	Option
High-cutting skids		Option	Option	Option	Option
Conditioner		V-steel tines	Profiled rollers	–	V-steel tines
Rotor diameter	mm	642 (2'1")	–	–	642 (2'1")
Roller diameter	mm	–	2 x 250 (2 x 10")	–	–
Conditioner speed	rpm	600/900	850	–	600/900
Wide conditioner system	mm	2,050 (6'9")	2,050 (6'9")	–	2,500 (8'2")
Wide spreading guide plates		Option	–	–	Option
Cross conveyor belt		–	–	–	Option
Hydraulic conversion Swath boards		Option	–	–	Option
Tire size / work position		15.0/55-17/10 PR	15.0/55-17/10 PR	10.0/75-15.3/8 PR	15.0/55-17/10 PR
Tires Transport		15.0/55-17/10 PR	15.0/55-17/10 PR	10.0/75-15.3/8 PR	15.0/55-17/10 PR
Area output approx.	ha/h (acres/hour)	3.0 - 3.5 (7.4 - 8.6)	3.0 - 3.5 (7.4 - 8.6)	3.5 - 4.0 (8.6 - 9.9)	3.5 - 4.0 (8.6 - 9.9)
Input power	kW/hp	51 / 70	51 / 70	50 / 68	59 / 80
PTO speed 1,000 rpm		Standard	Standard	Standard	Standard
PTO speed 540 rpm		Option	Option	Option	Option
Hydraulic couplers		1 x sa 1 x da	1 x sa 1 x da	1 x sa 1 x da	1 x sa 1 x da
Air brake system		–	–	–	–

All specifications, weights and dimensions do not necessarily comply with standard specifications and are therefore not binding.



EasyCut 3201 CV	EasyCut 3200 CRi	EasyCut 3210 CV	EasyCut 3210 CRi	EasyCut 3600 CV	EasyCut 4013 CV	EasyCut 6210 CV
side-mount	side-mount	mid-mount	mid-mount	side-mount	mid-mount	mid-mount
3,140 (10'4")	3,140 (10'4")	3,140 (10'4")	3,140 (10'4")	3,550 (11'8")	4,000 (13'2")	6,200 (20'4")
3,000 (9'10")	3,000 (9'10")	3,000 (9'10")	3,000 (9'10")	3,410 (11'2")	3,860 (12'8")	2,990 (9'9.7")
5	5	5	5	6	5	10
2	2	2	2	2	4	4
Standard	Standard	Standard	Standard	Standard	Standard	Standard
Standard	Standard	Standard	Standard	Standard	Standard	Standard
Option	Option	Option	Option	Option	Option	Option
Option	Option	Option	Option	Option	Option	Option
V-steel tines	Profiled rollers	V-steel tines	Profiled rollers	V-steel tines	V-steel tines	V-steel tines
642 (2'1")	–	642 (2'1")	–	642 (2'1")	642 (2'1")	642 (2'1")
–	2x250 (2x10")	–	2x250 (2x10")	–	–	–
600/900	850	600/900	850	600/900	600/900	600/900
2,500 (8'2")	2,500 (8'2")	2,500 (8'2")	2,500 (8'2")	2,900 (9'6")	2,500 (8'2")	2x2,500 (2x8'2")
Option	–	Option	–	Option	–	Option
Option	Option	Option	–	Option	–	–
Option	–	Option	–	–	–	–
15.0/55-17/10 PR	15.0/55-17/10 PR	15.0/55-17/10 PR	15.0/55-17/10 PR	15.0/55-17/10 PR	15.0/55-17/10 PR	500/45-22.5
15.0/55-17/10 PR	15.0/55-17/10 PR	15.0/55-17/10 PR	15.0/55-17/10 PR	15.0/55-17/10 PR	15.0/55-17/10 PR	15.0/55-17/10 PR
3.5 - 4.0 (8.6 - 9.9)	3.5 - 4.0 (8.6 - 9.9)	3.5 - 4.0 (8.6 - 9.9)	3.5 - 4.0 (8.6 - 9.9)	4 - 4.5 (9.9 - 11.1)	4.5 - 5 (11.1 - 12.4)	7.0 - 8.0 (17.3 - 19.8)
59/80	59/80	59/80	59/80	66/90	74/100	112/150
Standard	Standard	Standard	Standard	Standard	Standard	Standard
Option	Option	Option	Option	Option	–	–
1 x sa 1 x da	1 x sa 1 x da	1 x sa 1 x da	1 x sa 1 x da	1 x sa 1 x da	1 x sa 1 x da	3 x da
–	–	–	–	–	–	Standard

EasyCut 3600 CV and 4013 CV: Transport width exceeds 3 m (9'10")



Discover the world at KRONE and browse through our website pages to find facts and figures and also new developments plus a wide range of services. Explore our website and find out how versatile the KRONE world is.



News

Click here to find up-to-the minute information about KRONE – from new product presentations to show reviews. Here you are at the pulse of KRONE life.



Products

Find extensive information on our full product range. This section holds everything you need – from video clips to manuals.



Sales organisation

Here you find a distributor in Japan as well as your local KRONE dealer who will be pleased to support you. This is where you find your KRONE partner who will be pleased to assist you.



Jobs

Would you like to join our company? KRONE is often looking for diligent and motivated staff to work at our farm machinery factory as well as at our commercial trailer production plant. So, this section is always worth a visit.



Media center

The KRONE 'database' holds thousands of documents, pictures, test reports and much more. Here you find very detailed information on KRONE products that are of special interest to you.



Events

Are you in for a KRONE live experience? Check out for KRONE events and look at a machine on show or watch it during a demonstration. After all, there is little that is more effective than a hands-on experience.



Service

Here you find all the service information you require – from a point of contact at the factory to finance schemes for your KRONE machine as well as training schemes for staff and users.



Download Center

Are you looking for a KRONE calendar for your desktop or a smart picture for your presentation? Here, at the KRONE download center, you will find plenty of useful material for a wide range of projects.



Used Machinery

KRONE often has a wide range of demonstration or exhibit machinery on offer. This is a good site to find your KRONE machine. Then contact your local KRONE dealer to arrange the details of a potential purchase.



Parts

24/7... This service gives you the opportunity to find your KRONE part at any time and without waiting. The KRONE Agroparts Portal has an article number and exact description for every part. You can order the part instantly at your local KRONE dealer by sending an e-mail to Agroparts.



KRONE shop

Are you looking for a gift or are you a collector of farm models? Then you should definitely shop around at our KRONE shop. We take your orders at any time of the day.

Your KRONE dealer

Maschinenfabrik Bernard KRONE GmbH

Heinrich-Krone-Straße 10
D-48480 Spelle

Telefon: +49 (0) 5977.935-0
Telefax: +49 (0) 5977.935-339

info.ldm@krone.de
www.krone.de